

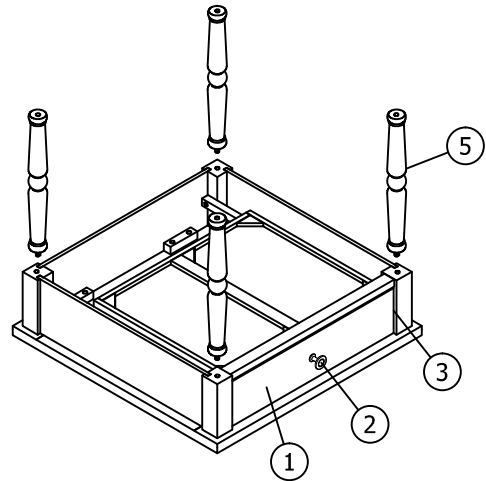
ASSEMBLY INSTRUCTIONS & PARTS IDENTIFICATION

END TABLE W/DRAWER

Thank you for purchasing this quality product. Be sure to check all packing material carefully for small parts that may have come loose inside the carton during shipment.

Key Parts		
No	Qty	Description
1	1 pc	Drawer
2	1 pc	Knob w/screws
3	2 pcs	Drawer glide
4	1pc	Drawer stop
5	4 pcs	Middle leg
6	4 pcs	Bottom Leg
7	1 pc	Shelf
8	4pcs	Floor glide

STEP 1



STEP 2

