

Velvet Upholstered Bed with Gold Trim



Friendly Customer Service

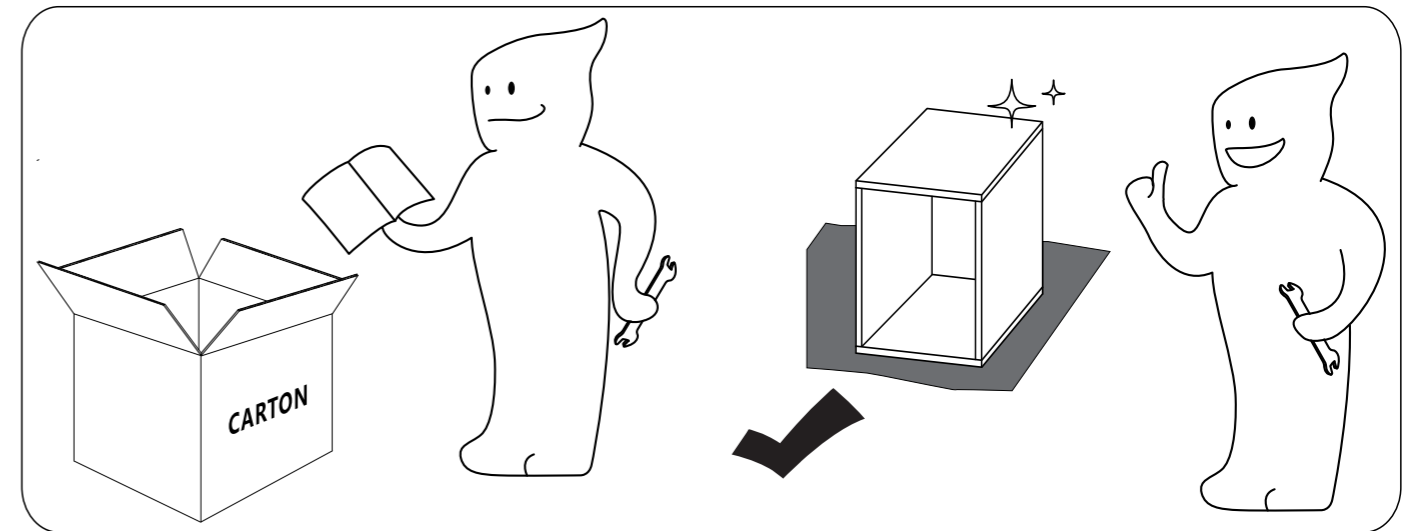
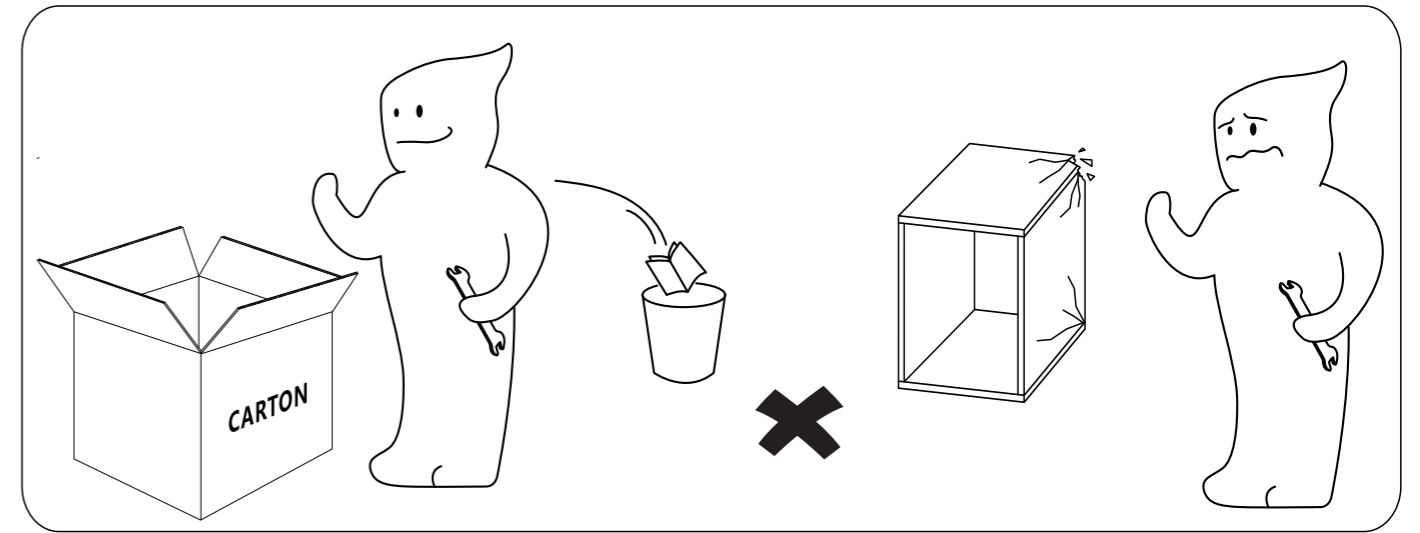
Satisfaction Guarantees: Any problems with assembly, quality, or return, please feel free to contact us directly.

Contact us

Phone: +1 (901) 347-2181 (US) Mon-Fri 9am - 5pm (PST)
 E-Mail: cs@howedirect.com (Get efficient feedback within 12 hours)



Please follow the instruction manuals and use a pad to protect the product during your assembly.



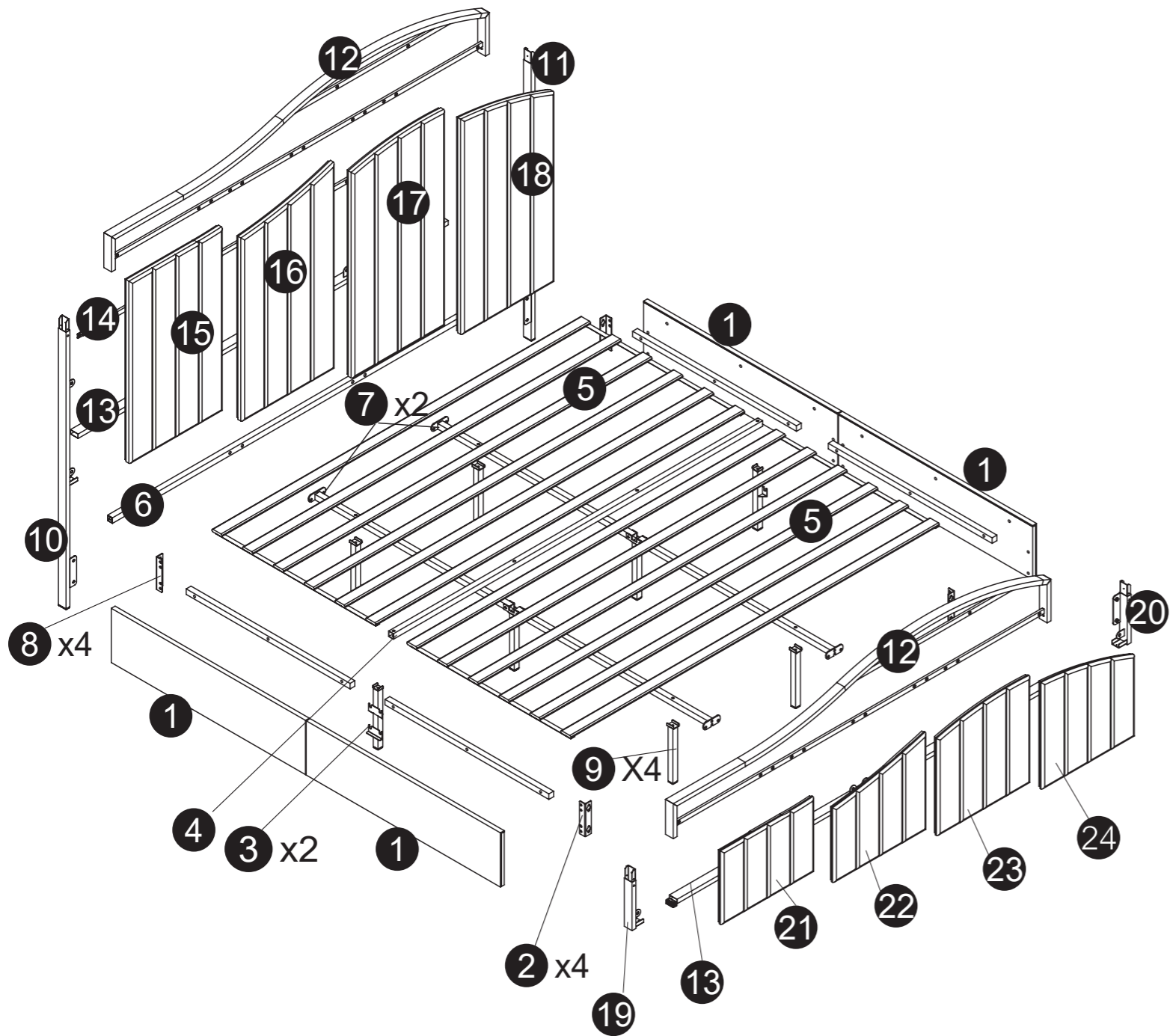
Note:

1. Should be assembled on flat ground to keep balance.
2. Before completing the installation, do not tighten the screws.



For easier and better assembly, **2** or more adults are required.

ASSEMBLY INSTRUCTIONS

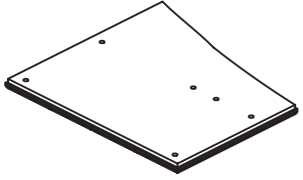
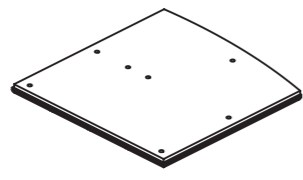
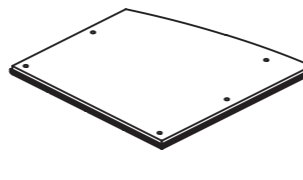
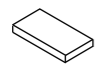









ASSEMBLY INSTRUCTIONS

PARTS LIST

1 4PCS	2 4PCS	3 2PCS
4 1PC	5 2PCS	6 1PC
7 2PC	8 4PCS	9 4PCS
10 1PC	11 1PC	12 2PCS
13 2PCS	14 1PC	15 1PC
16 1PC	17 1PC	18 1PC
19 1PC	20 1PC	21 1PC

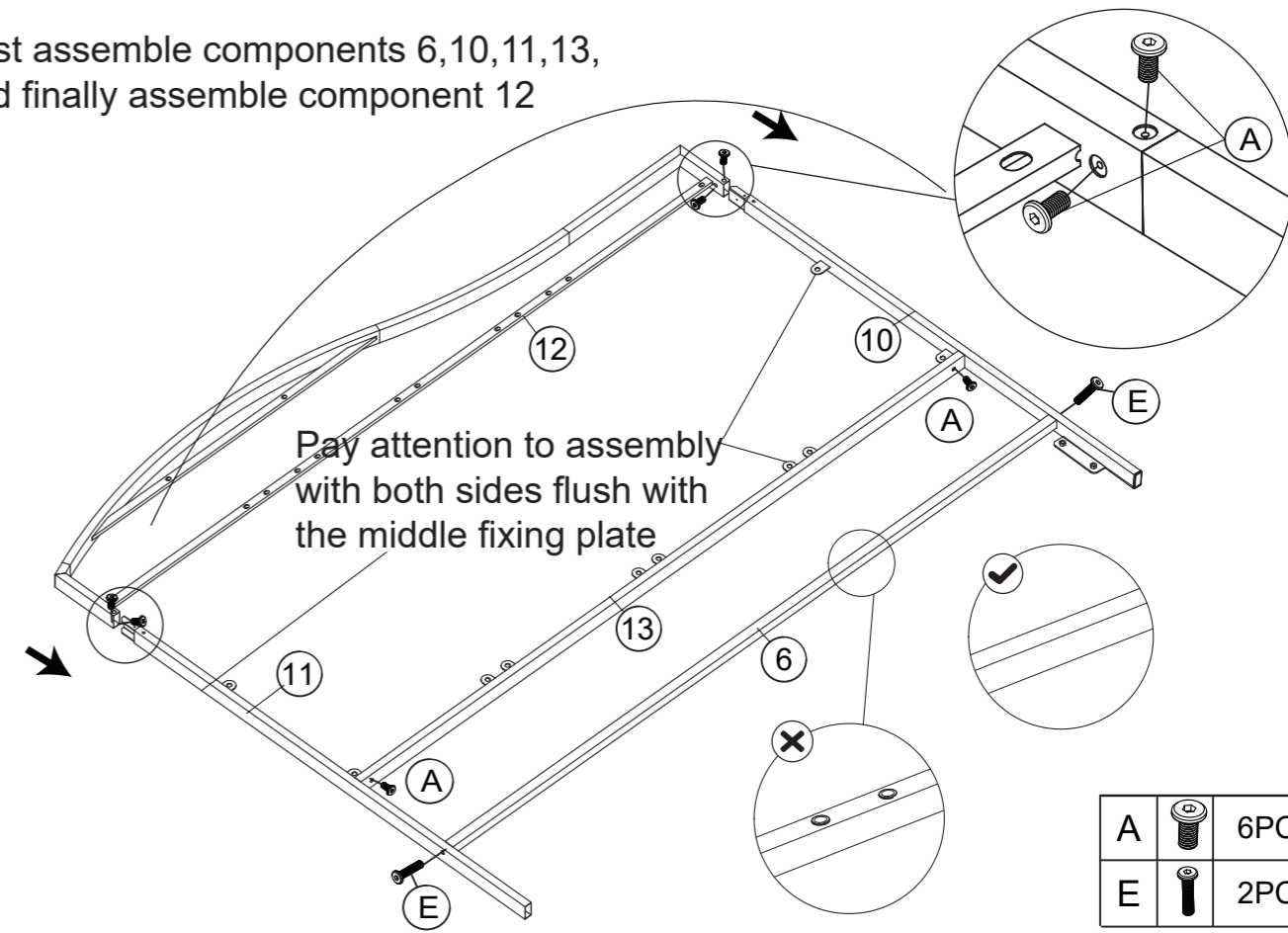
ASSEMBLY INSTRUCTIONS

<p>22</p>  <p>1PC</p>	<p>23</p>  <p>1PC</p>	<p>24</p>  <p>1PC</p>
<p>25</p>  <p>4PCS</p>	<p>A</p>  <p>M8*14 28PCS</p>	<p>B</p>  <p>Black Zinc M8*20 46PCS</p>
<p>C</p>  <p>stainless steel M8*18 10PCS</p>	<p>D</p>  <p>M8*25 4PCS</p>	<p>E</p>  <p>M8*38 20PCS</p>
<p>F</p>  <p>Black Zinc M8*50 2PCS</p>	<p>G</p>  <p>1PC</p>	



ASSEMBLY INSTRUCTIONS

1

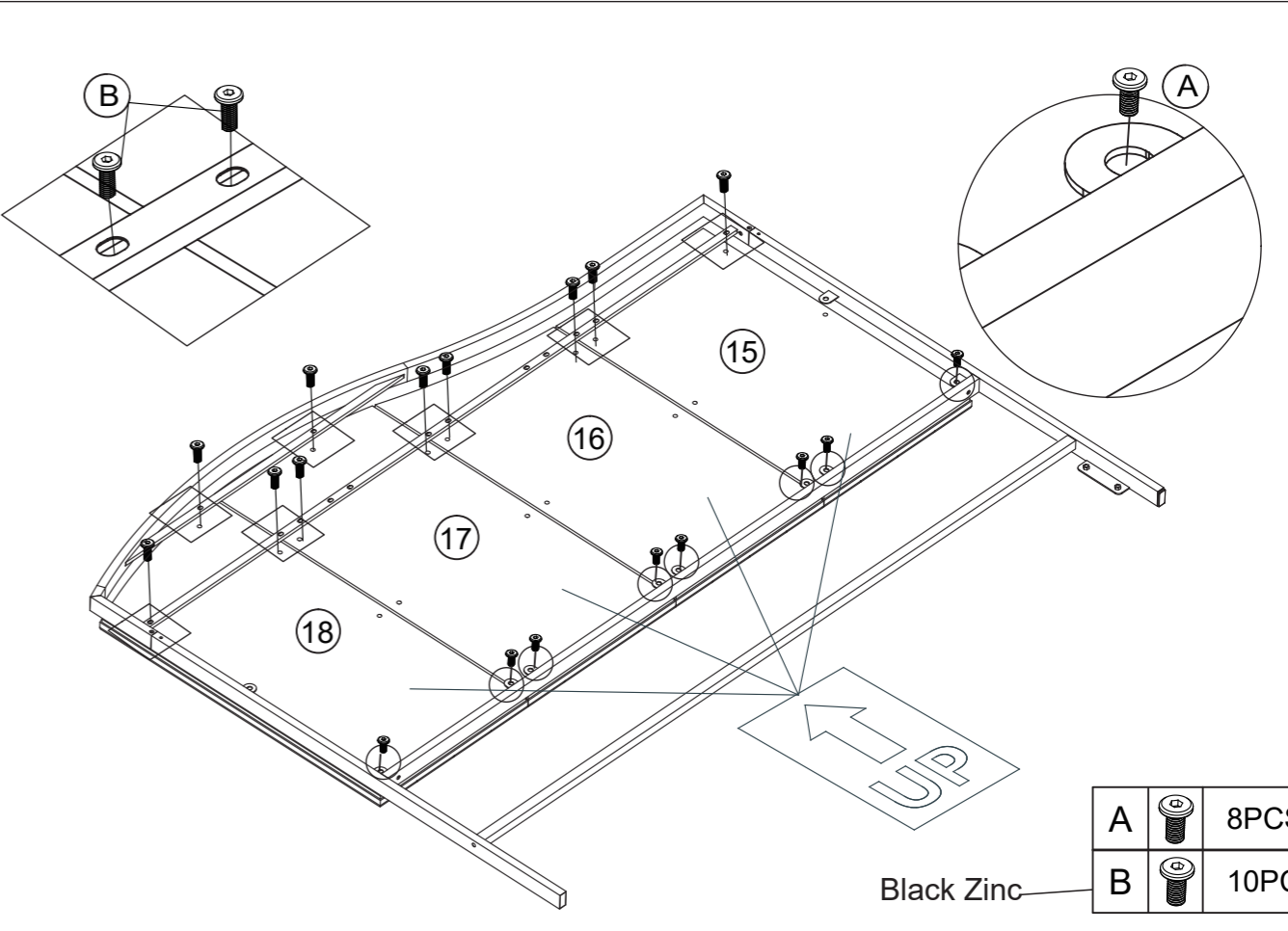
First assemble components 6,10,11,13, and finally assemble component 12





Pay attention to assembly with both sides flush with the middle fixing plate

A		6PCS
E		2PCS

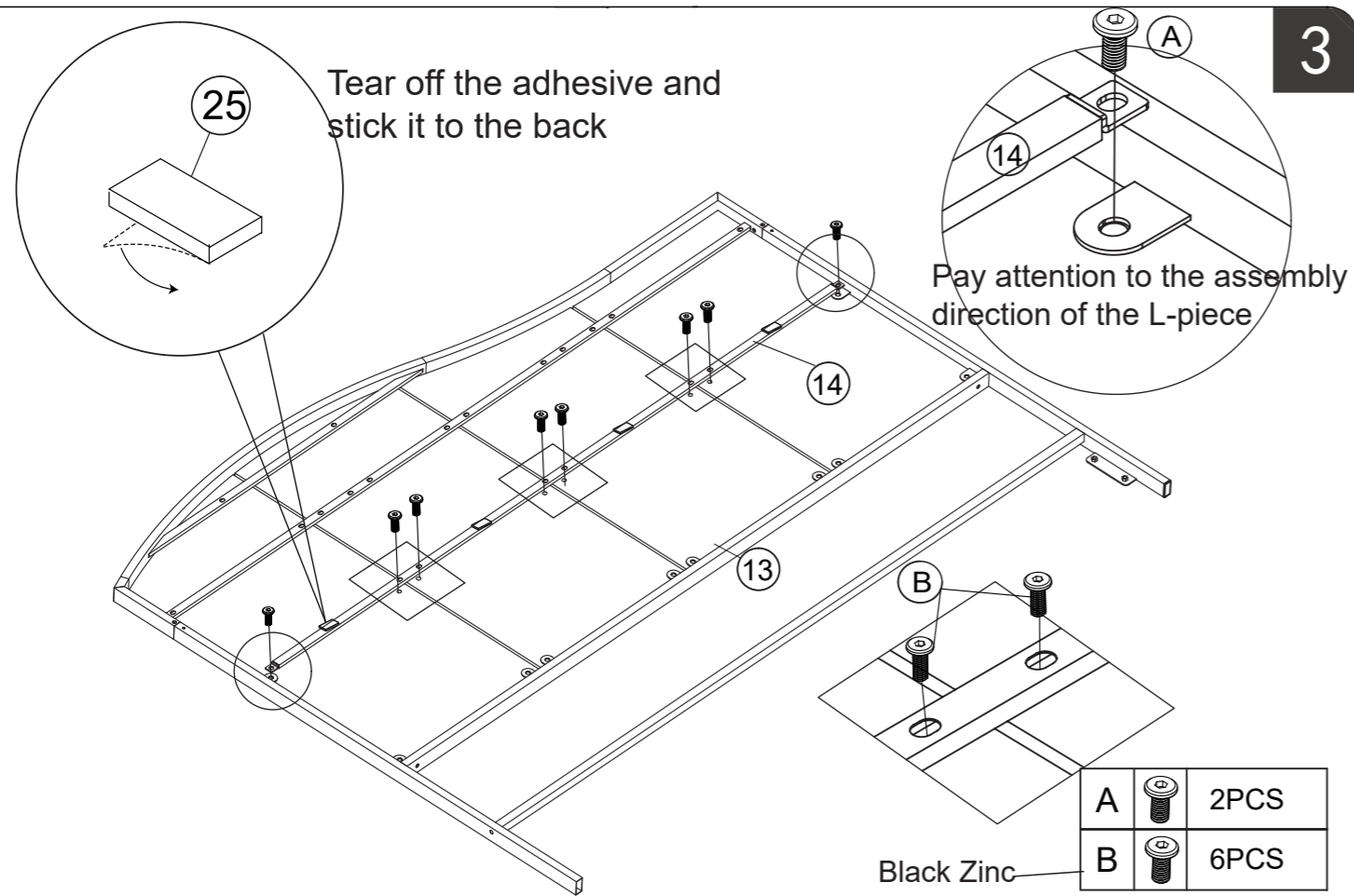
2



A		8PCS
B		10PCS

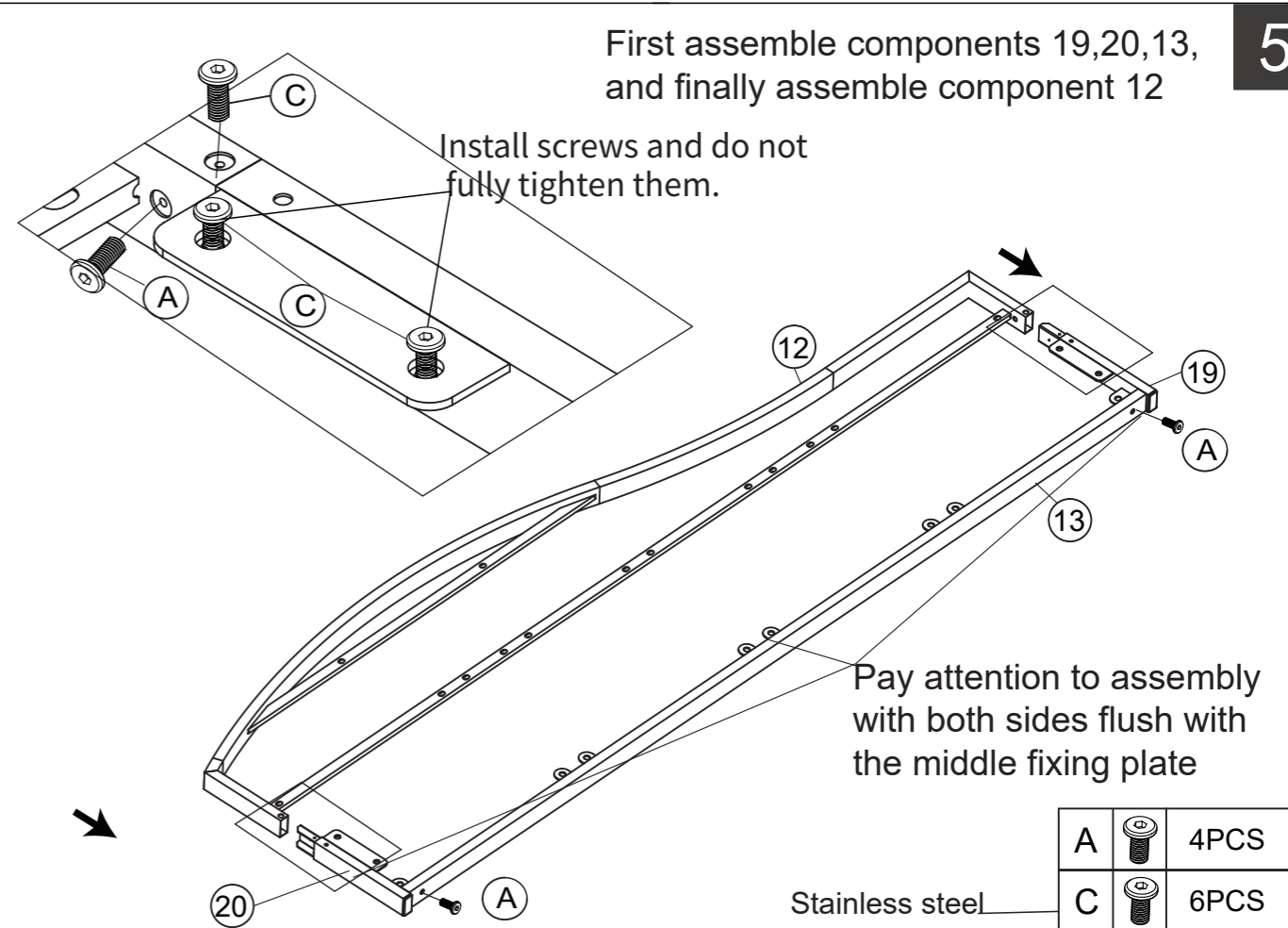
Black Zinc

ASSEMBLY INSTRUCTIONS

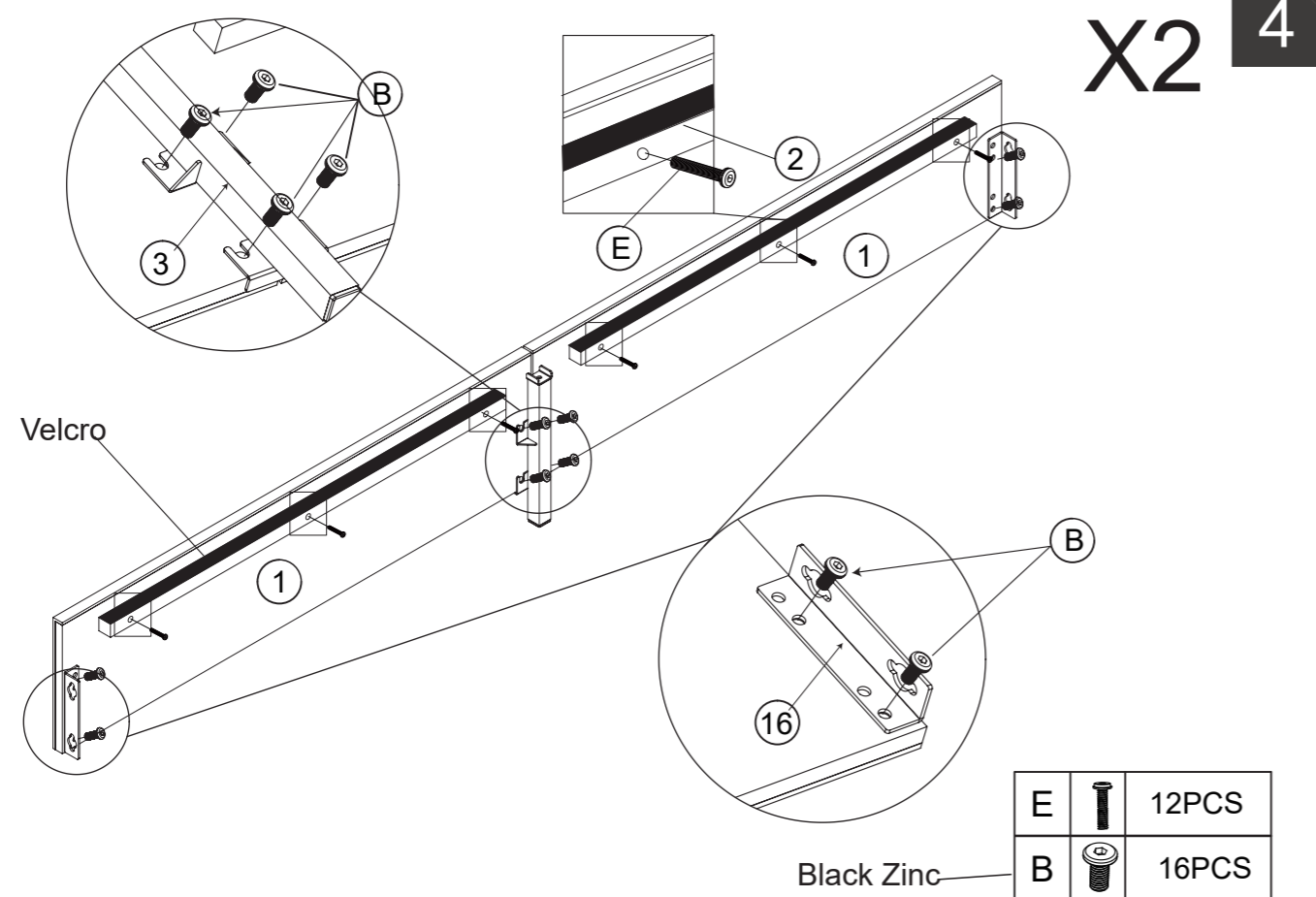


3

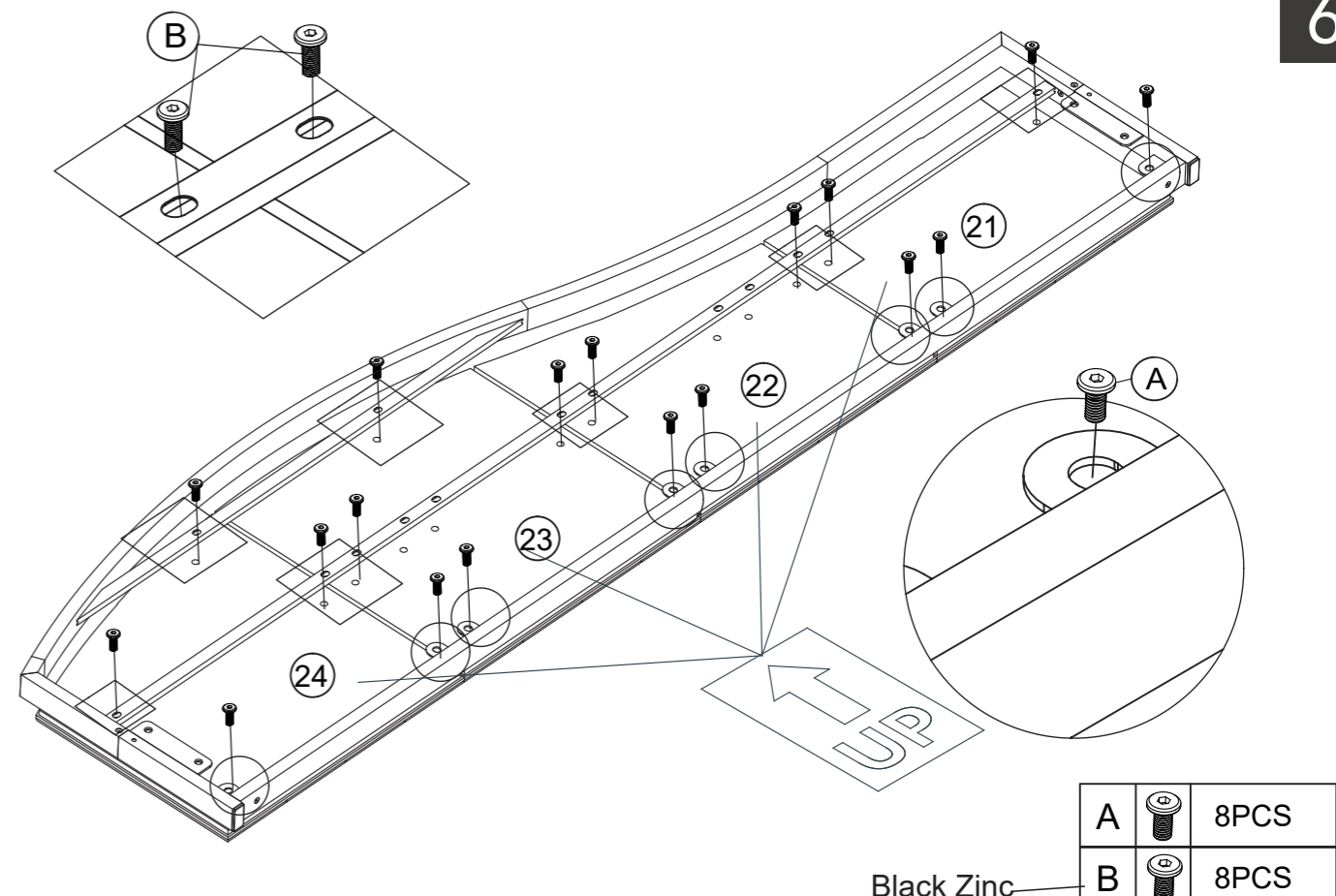
ASSEMBLY INSTRUCTIONS



5



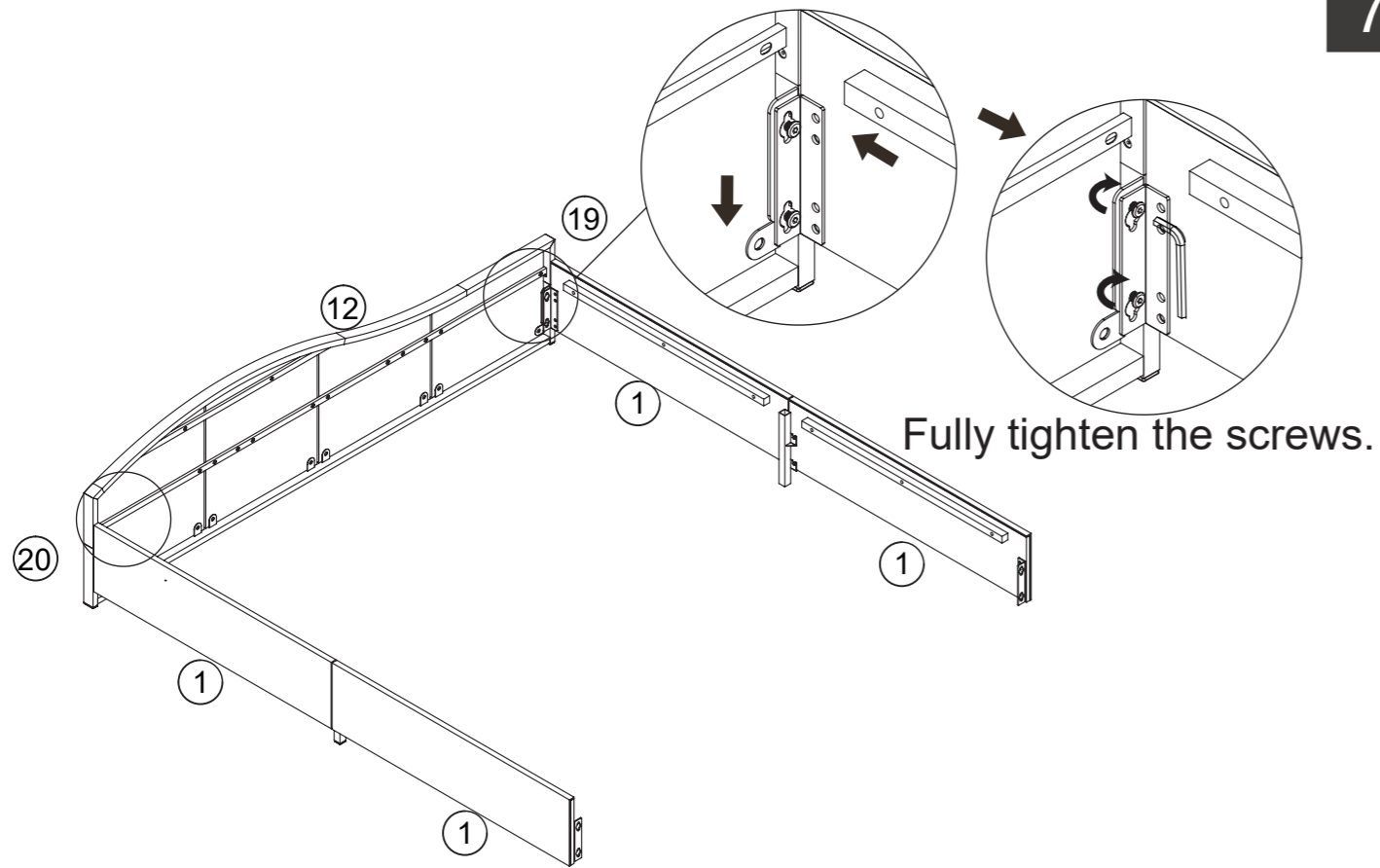
4



6

ASSEMBLY INSTRUCTIONS

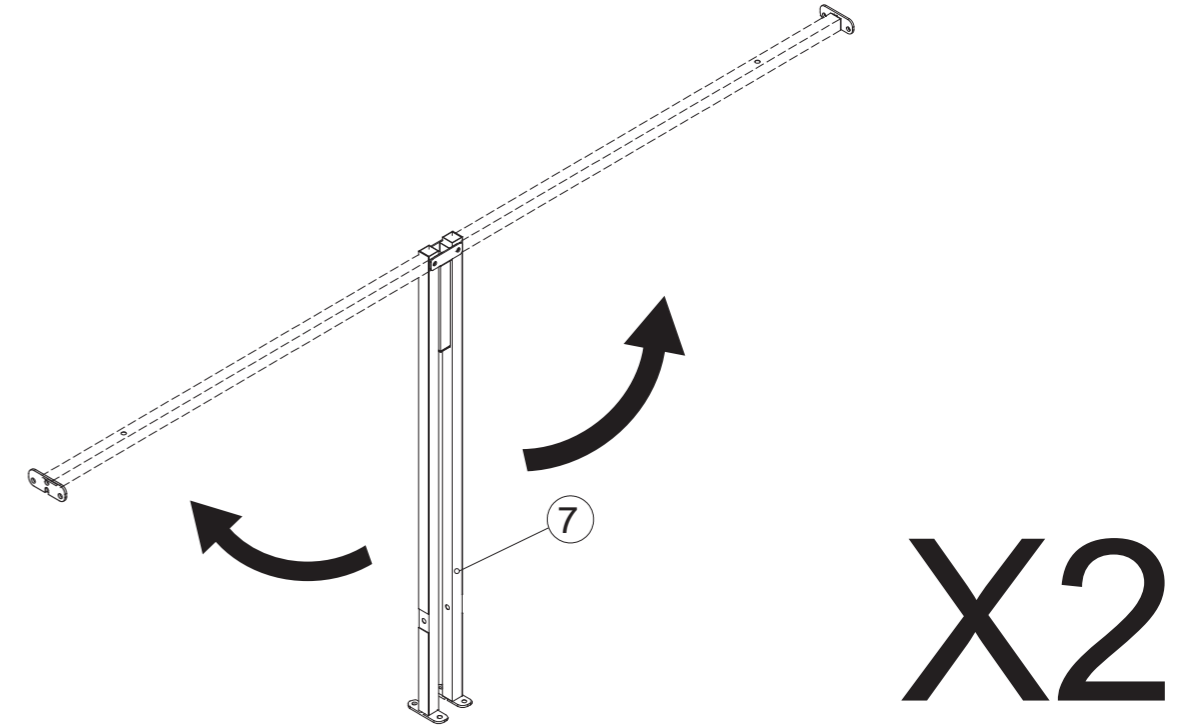
7



ASSEMBLY INSTRUCTIONS

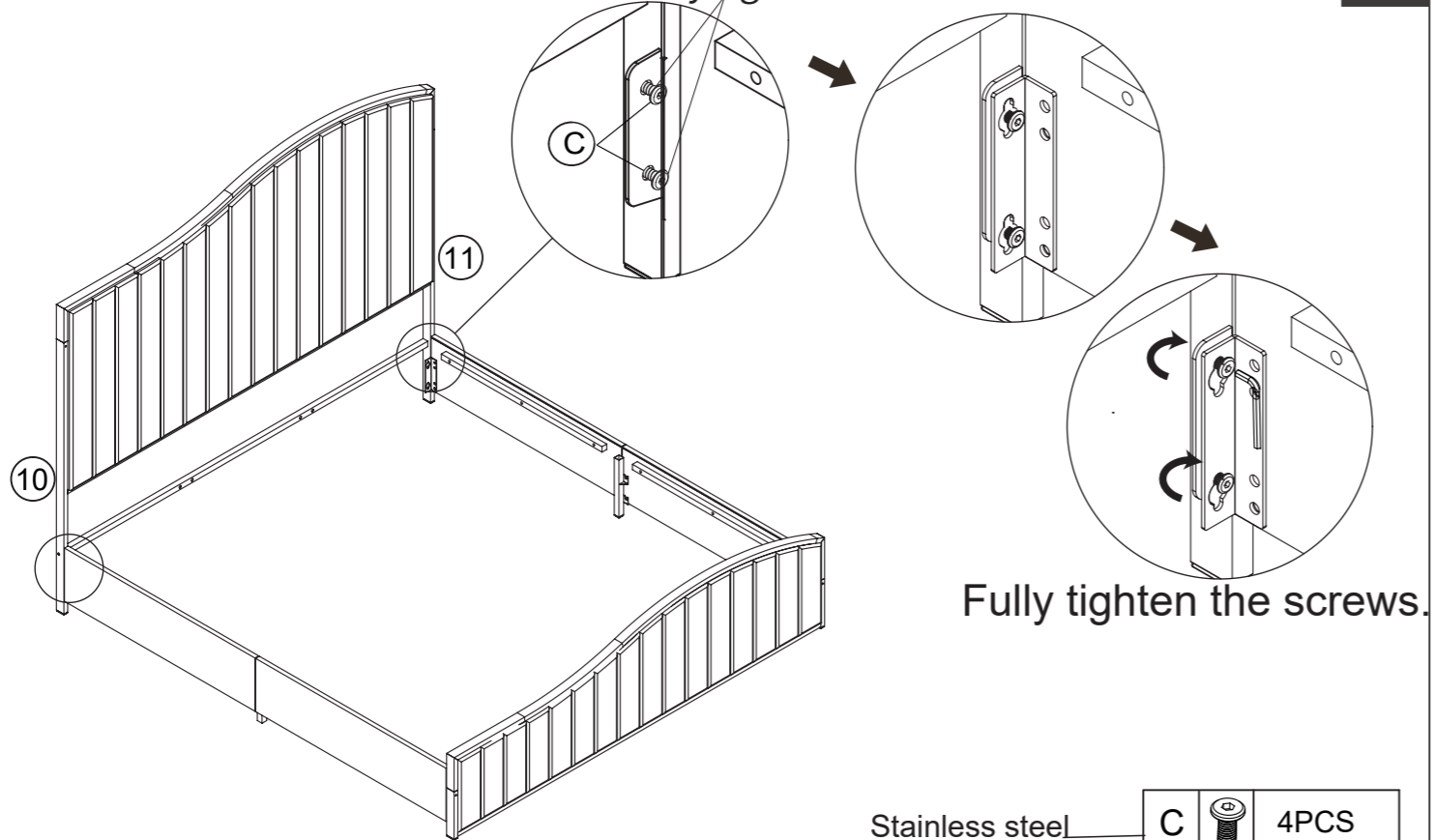
9

WARNING!
Moving parts can crush or cut.
Keep fingers, hands, and feet away to avoid injury.



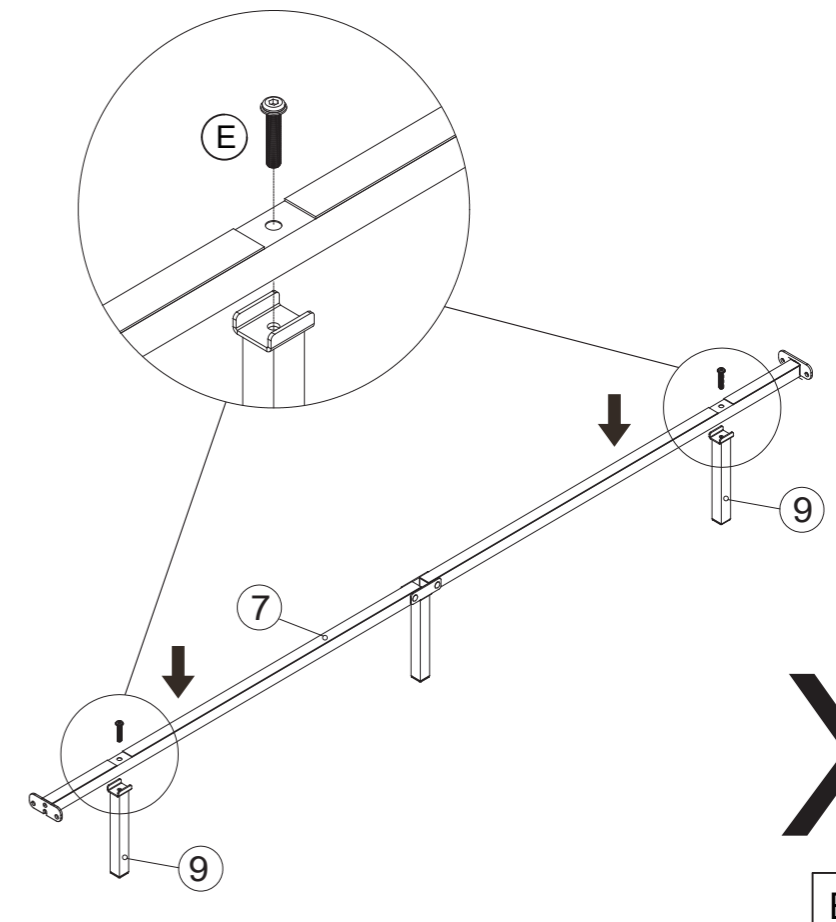
8

Install screws and do not fully tighten them.



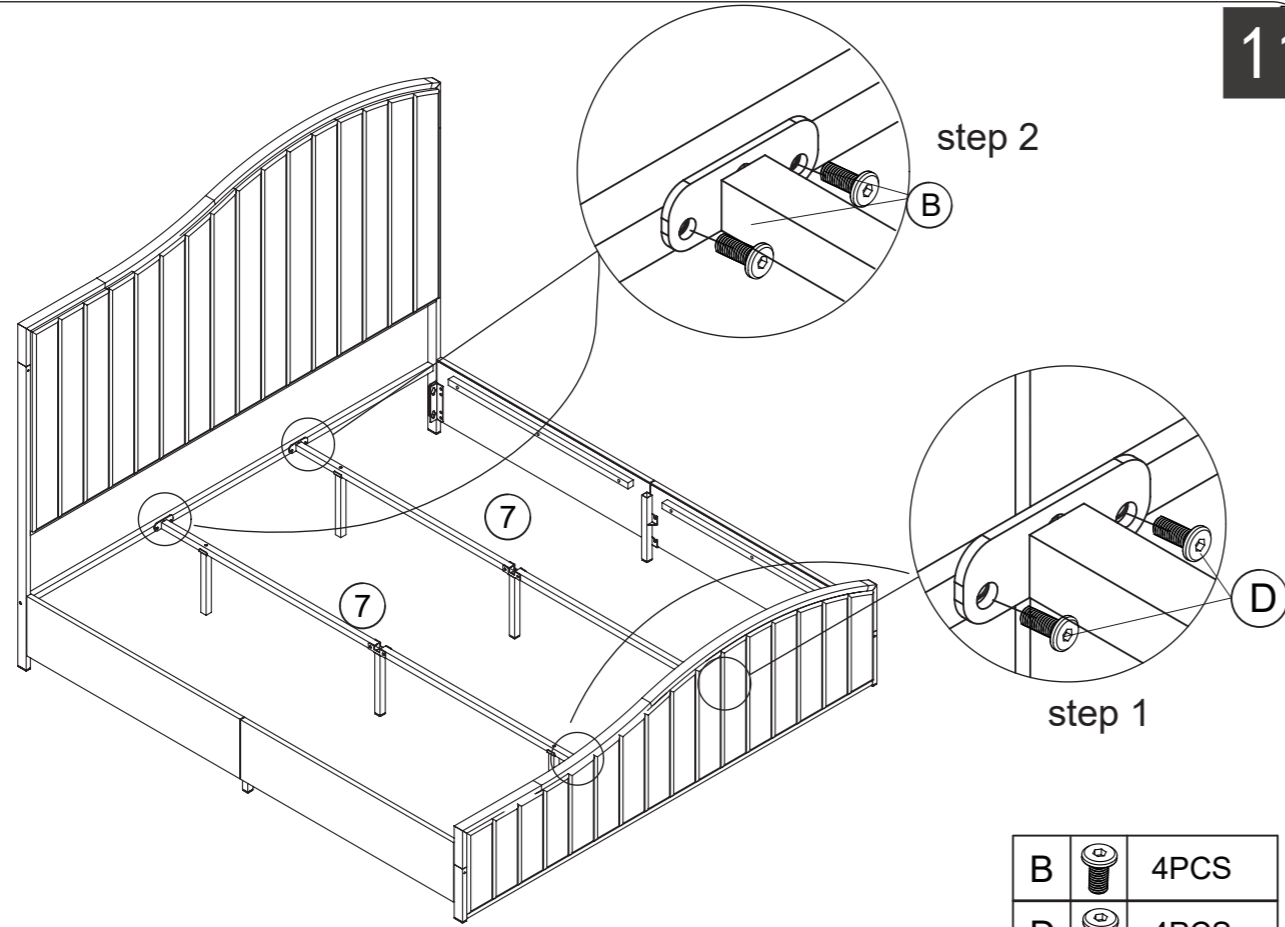
Stainless steel C 4PCS



10



E 4PCS

11

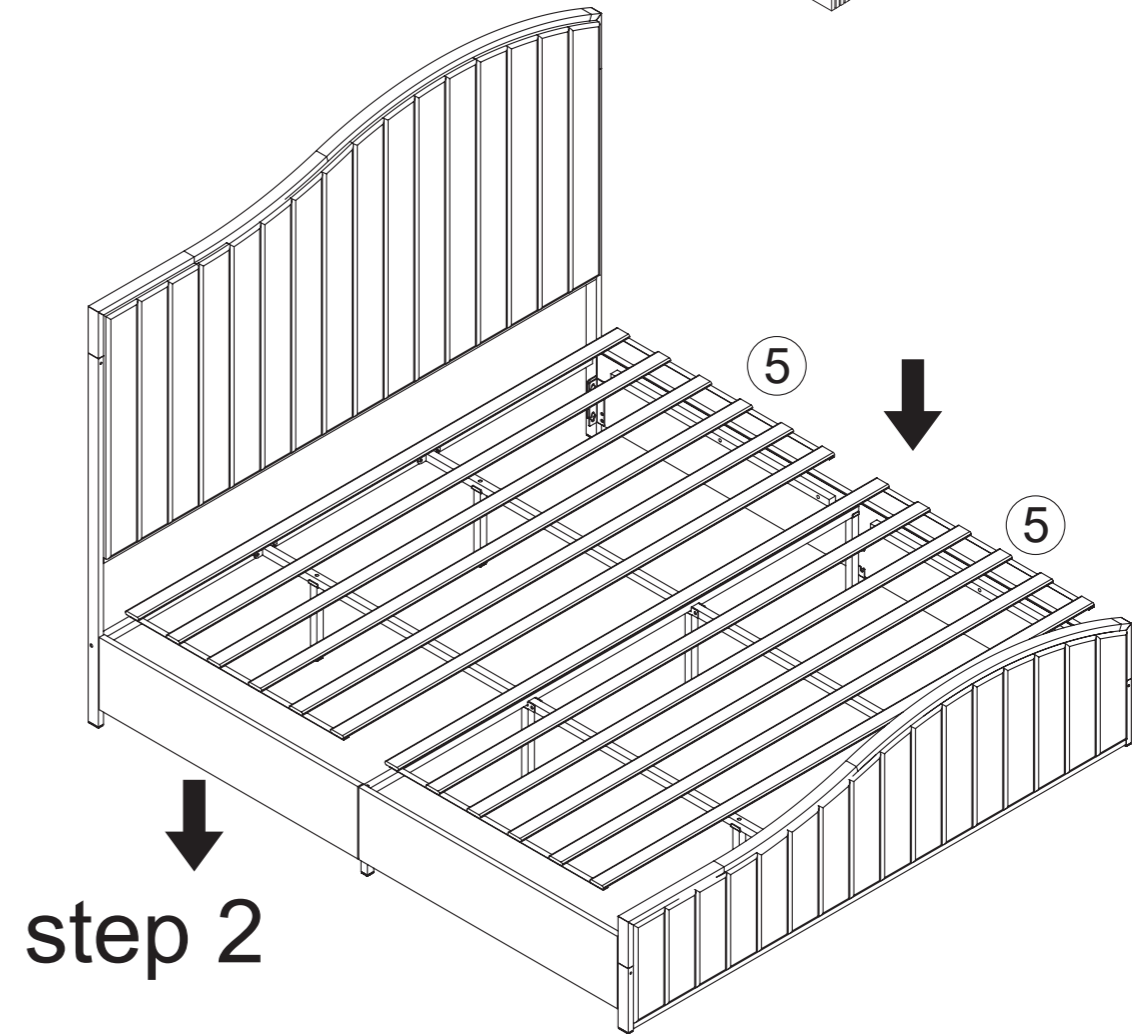
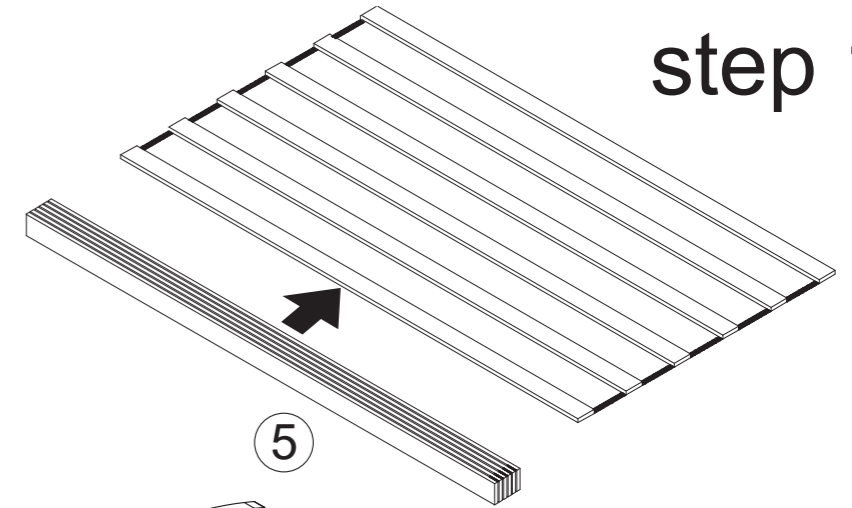


B		4PCS
D		4PCS

13



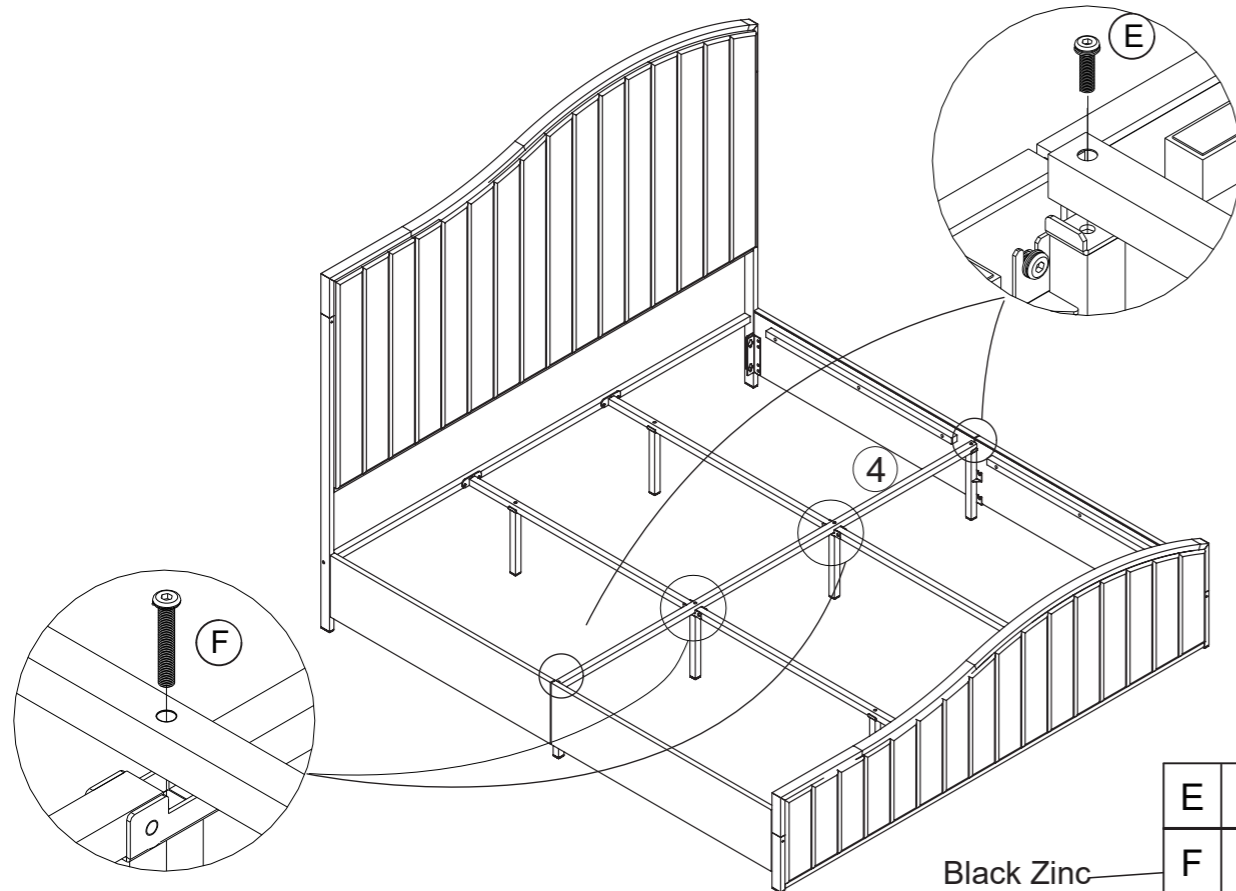
step 1





step 2

Installation Complete

12



Black Zinc

E		2PCS
F		2PCS