

10. The machine can not be cleaned by detergents; avoid using corrosive chemical substances on machine. Do not submerge in water; wipe down exterior with moist cloth if necessary.

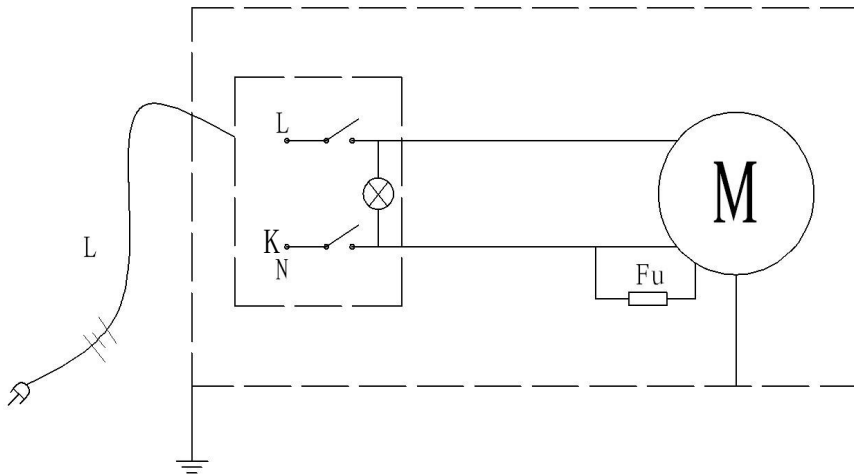
6. Electrical data

L-----3X 0.75 copper conductor

K-----15A/110V switch

Fu-----5A fuse

M-----Electric motor



NOTE:

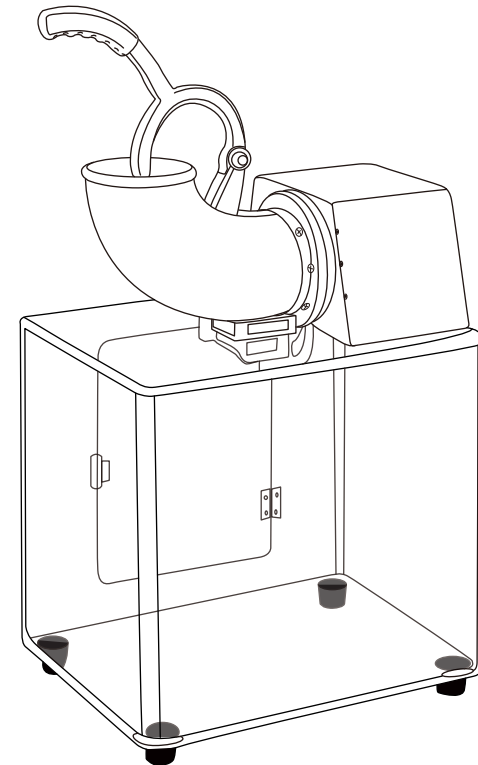
To continuously improve its products, VIVOHOME reserves the right to modify this information without prior notification.

Please contact customer service via support@vivohome.com with any questions, comments, or concerns. Thank you for using VIVOHOME products in your home!

Thank You For Purchasing From
VIVOHOME
 MADE IN CHINA

Commercial Ice Crusher 440lbs/hr

Instruction Book



Please read the introduction before using it

Brief Introduction

This ice shaver is made of stainless steel and acrylic, so it will not rust and will last long. Safe for use in kitchens or outdoor setups, it's also easy to clean and maintain by wiping down with a dry cloth after use. Dual-layered stainless steel keeps the device strong and sturdy.

1. Main parameter:

SKU	VH309-NEW
Dimension	16.5*12.8*23.0"
Power	250W
Voltage	110V
Frequency	60Hz
Speed	2500 R/M

2. Structure of machine



3. Preparation

1. Read all instructions before operating your ice shaver

2. Before each use, wipe down your ice shaver with a clean, moist cloth
3. Check voltage & ensure there are no potential hazards to power supply before plugging in.

4. Operating instructions

1. BEFORE PLUGGING IN, open the ice hopper to wipe off the inside with a dry cloth and check whether the blade is securely installed.
2. Check the power line and plug to insure the circuit is in good condition, then check the switch and plug in.
3. Open the hopper with the handle and add ice; do not fill past the indication line of the hopper.
4. Press the power switch and lower the handle to begin shaving ice. Once ice is shaved, repeat process as needed.
5. When finished, wipe down the ice shaver with a dry towel and store in a dry place.

NOTE:

It is better to use standard sized ice cubes with a diameter of 4-5cm or smaller
DO NOT run machine without ice

5. Attention

1. 110V
2. Children are forbidden to use this machine.
3. Grounded socket required; keep cable away from heat; do not let the cable or electrical sockets contact water or other liquids; do not use damaged cables, power plugs, or sockets.
4. Use only on flat surfaces to avoid damaging the internal components.
5. The ice loaded into the hopper cannot exceed the red line 1cm deep in ice hopper.
6. Please only use clean cloth to scrub the ice tank; do not use water or cleaning products.
7. Use a clean, dry cloth to dry the machine after use and prepare for storage.
8. Do not touch the blade when cleaning to avoid cutting your fingers.
9. Do not dismantle the motor; when cleaning or repairing machine, first turn off the power and remove from power source.