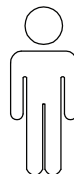
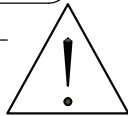
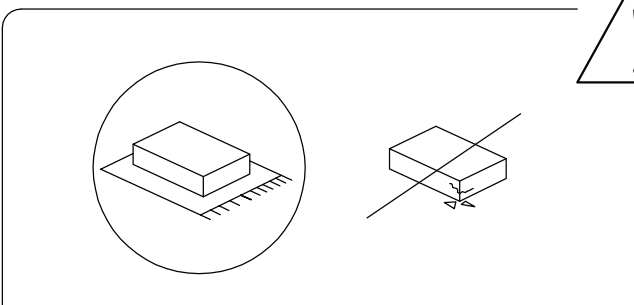
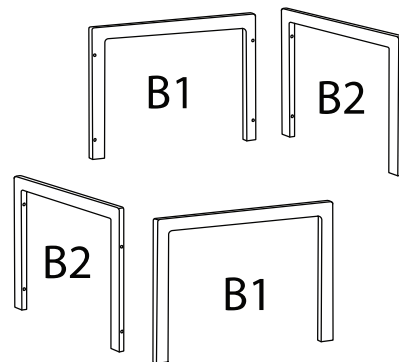
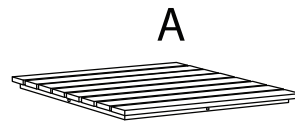
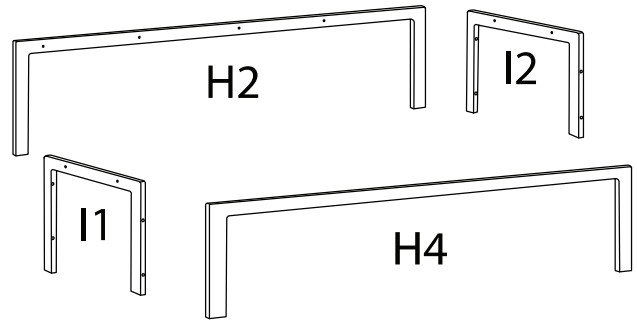
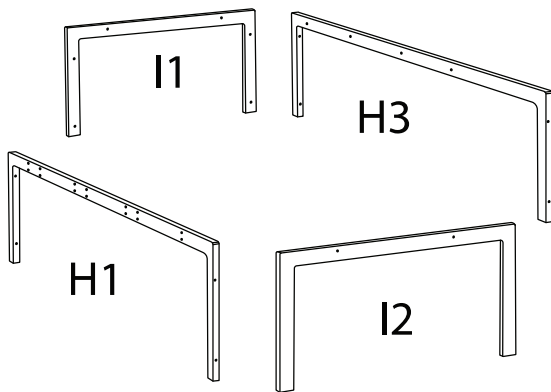
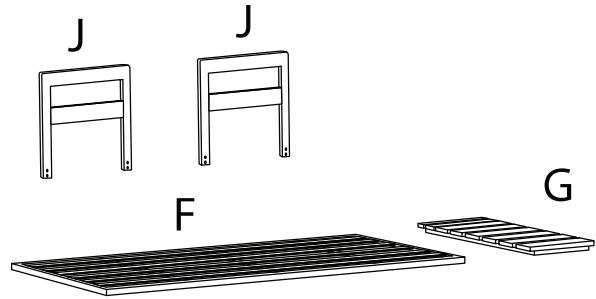
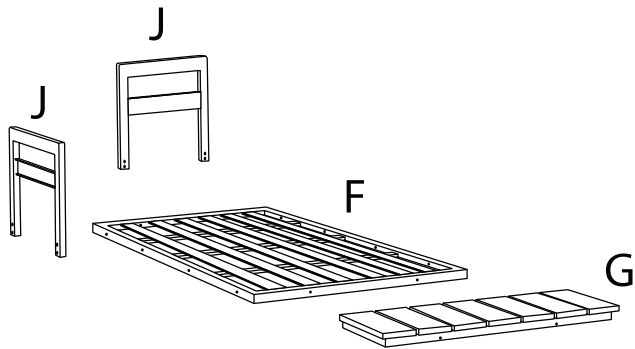
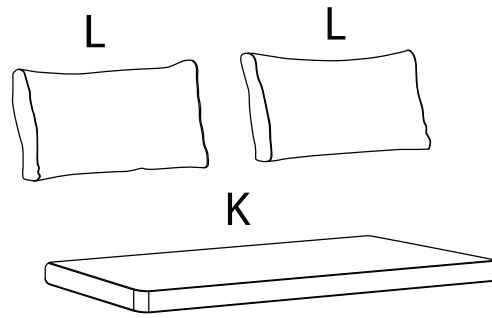
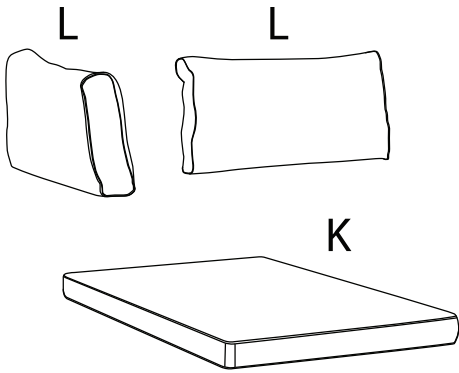


80'

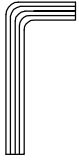


2



A	B1	B2	C	D
x1	x2	x2	x4	x8

E



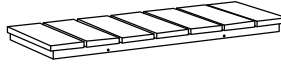
x 1

F



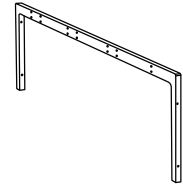
x 2

G



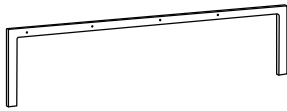
x 2

H1



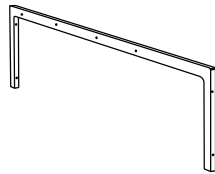
x 1

H2



x 1

H3



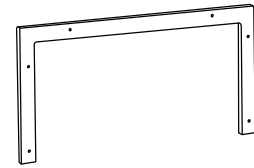
x 1

H4



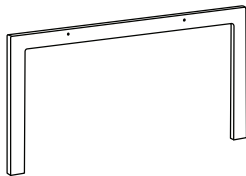
x 1

I1



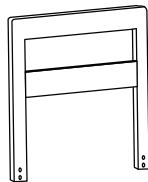
x 2

I2



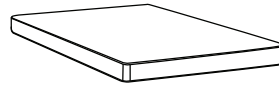
x 2

J



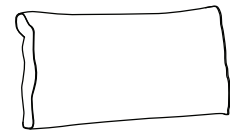
x 4

K



x 2

L



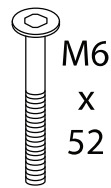
x 4

M



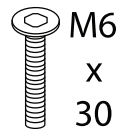
x 24

N



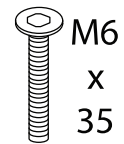
x 16

O



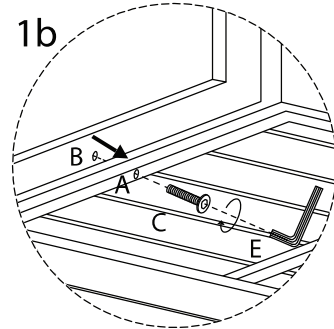
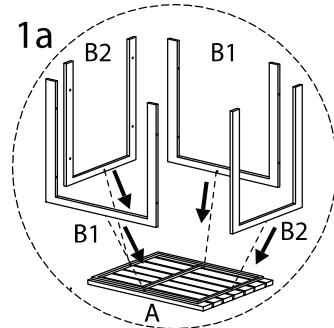
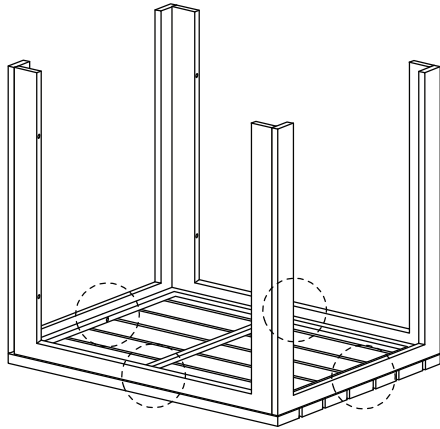
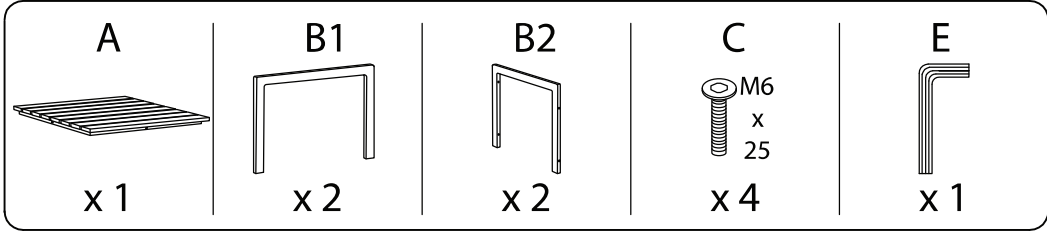
x 4

P

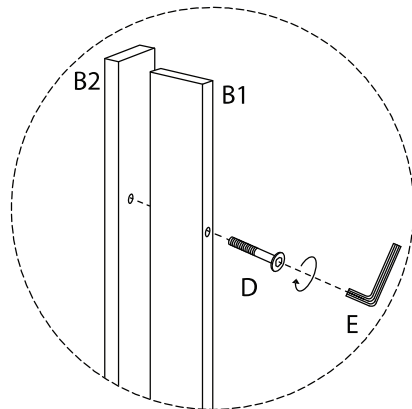
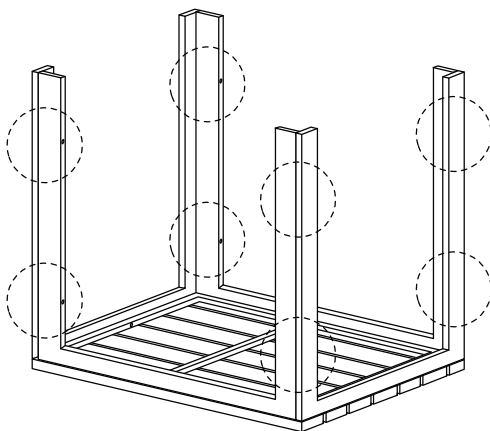
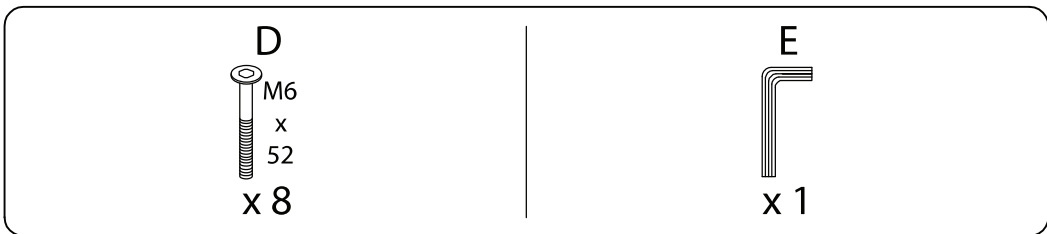


x 16

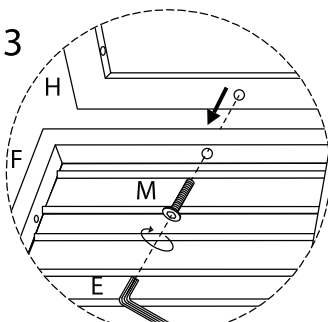
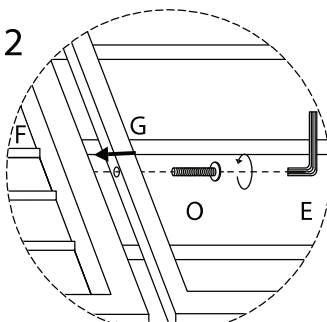
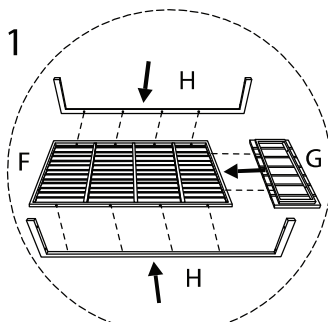
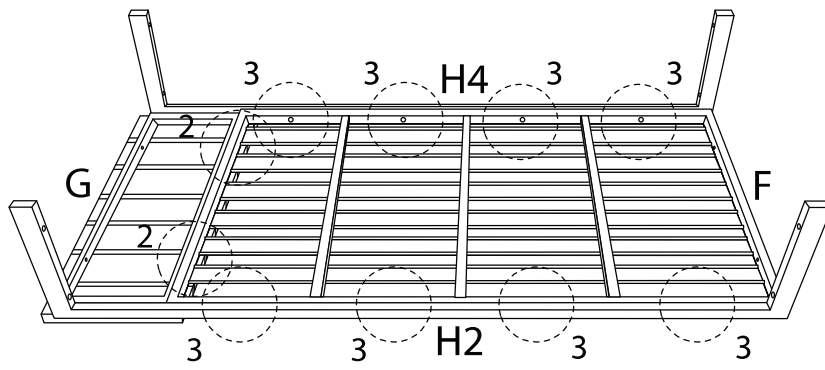
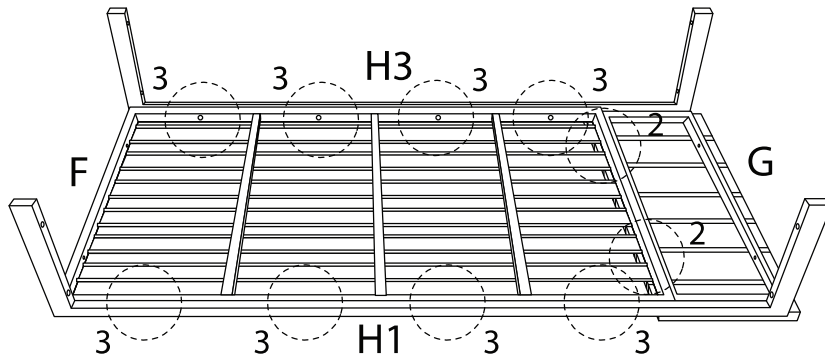
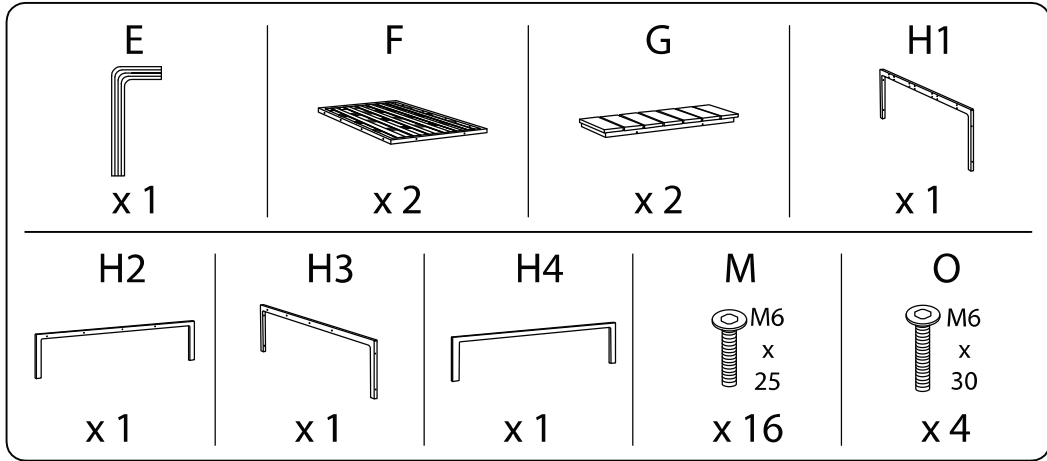
1



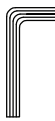
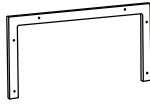
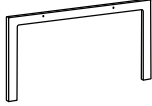

2

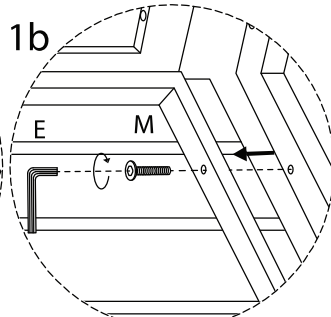
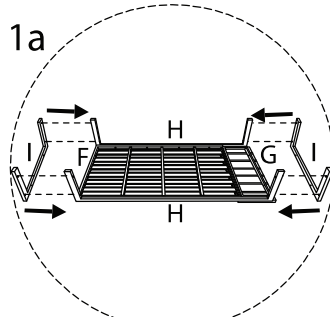
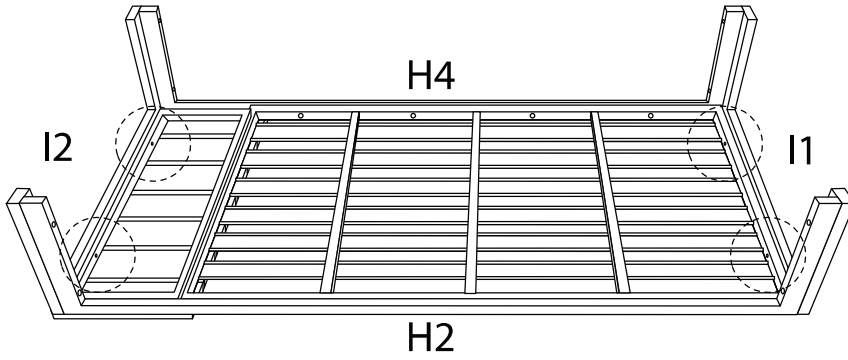
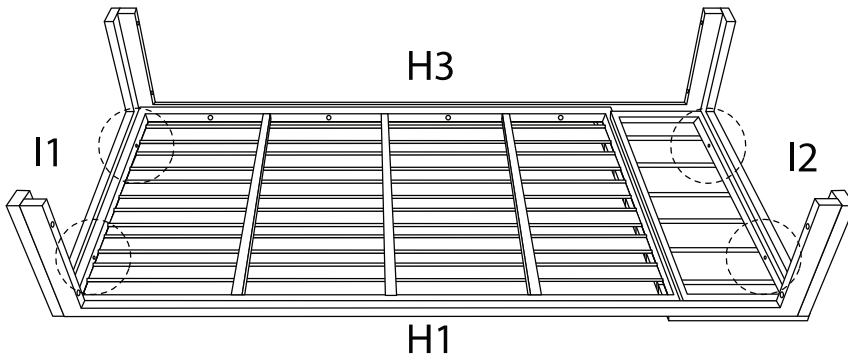


3

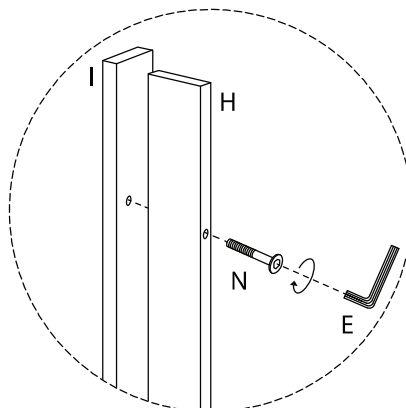
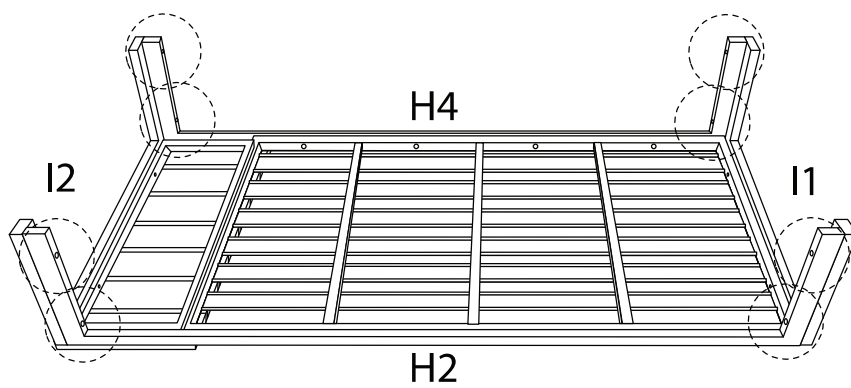
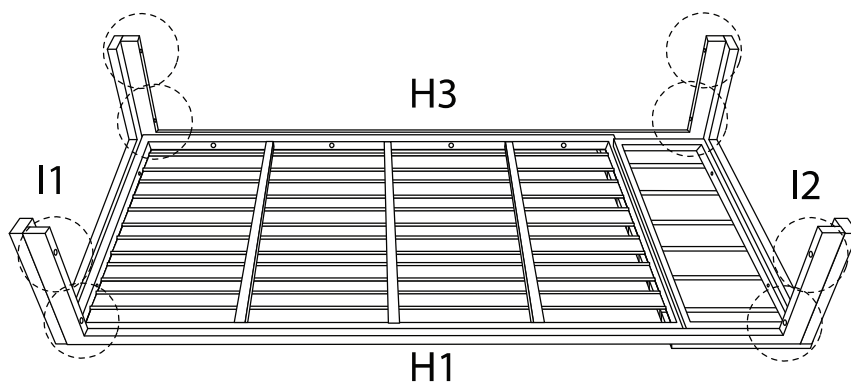
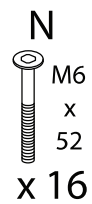
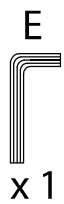


4

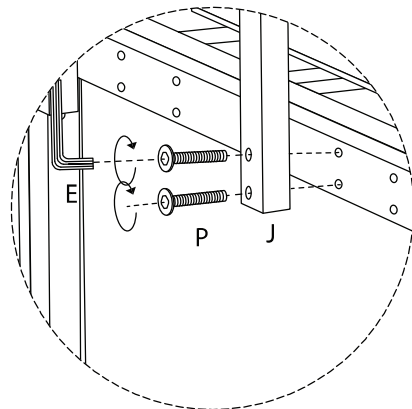
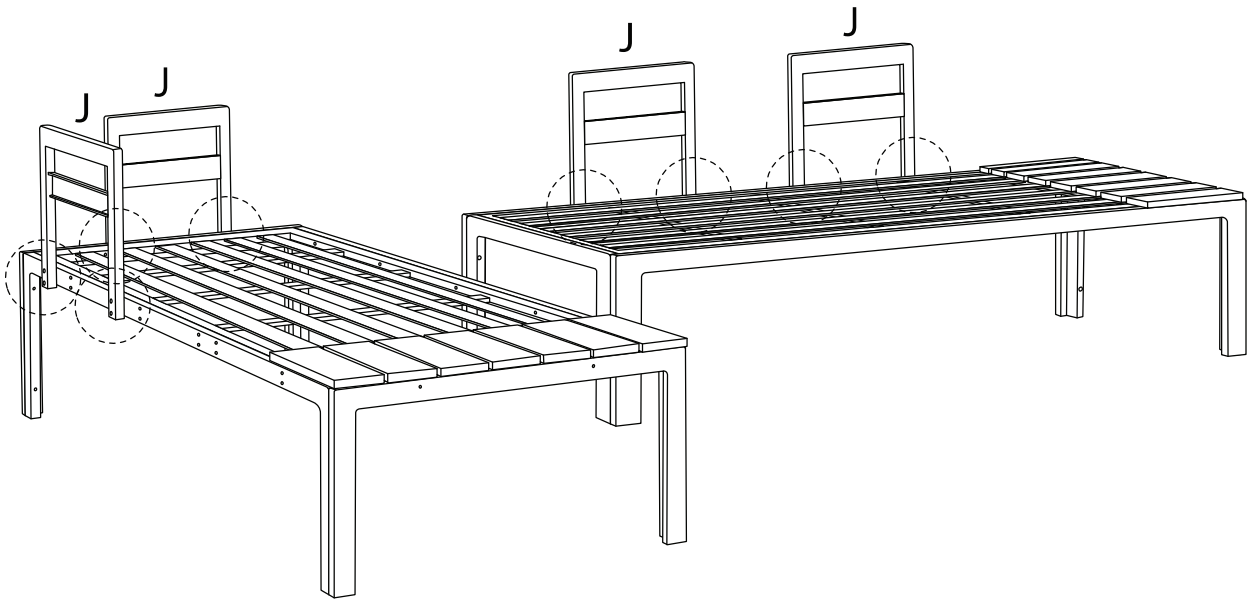
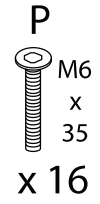
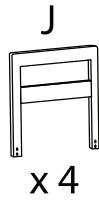
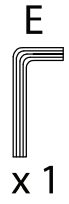
<p>E</p>  <p>x 1</p>	<p>I1</p>  <p>x 2</p>	<p>I2</p>  <p>x 2</p>	<p>M</p>  <p>x 8</p>
---	--	---	---



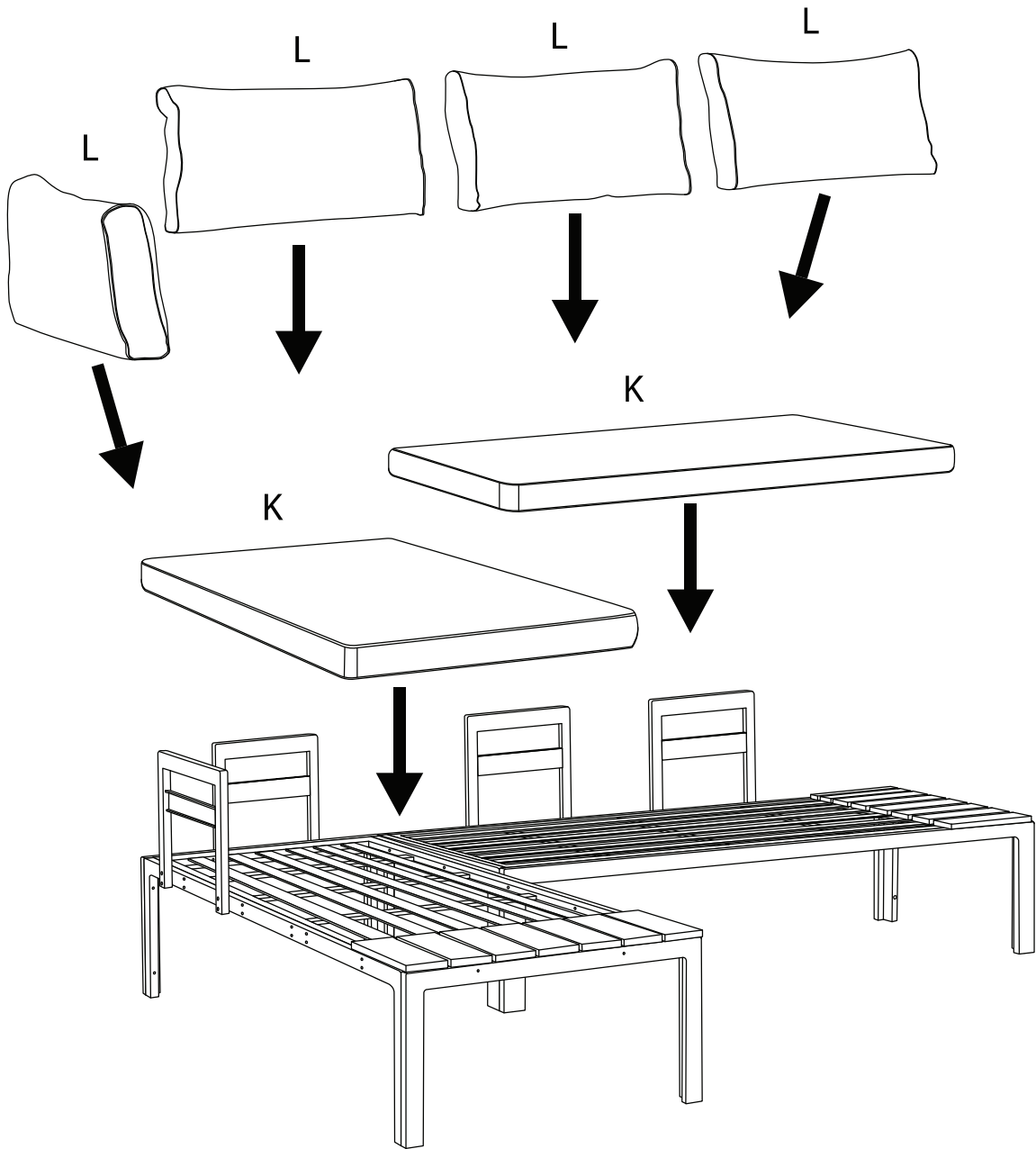
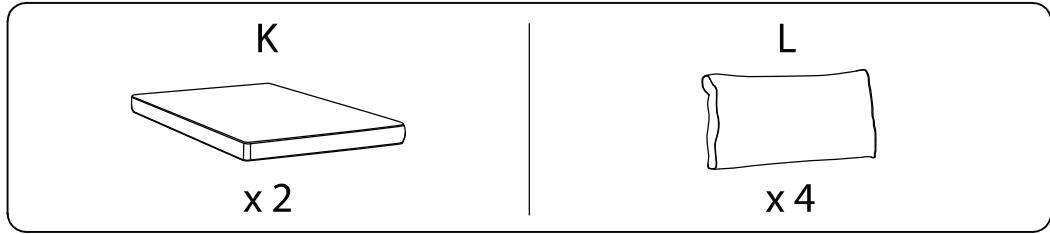
5



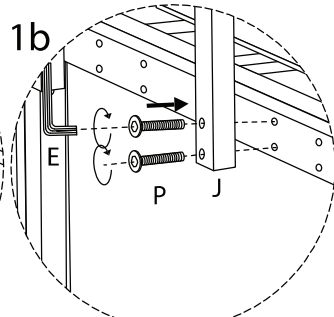
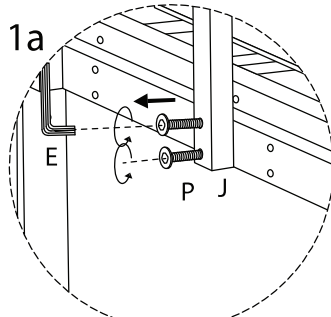
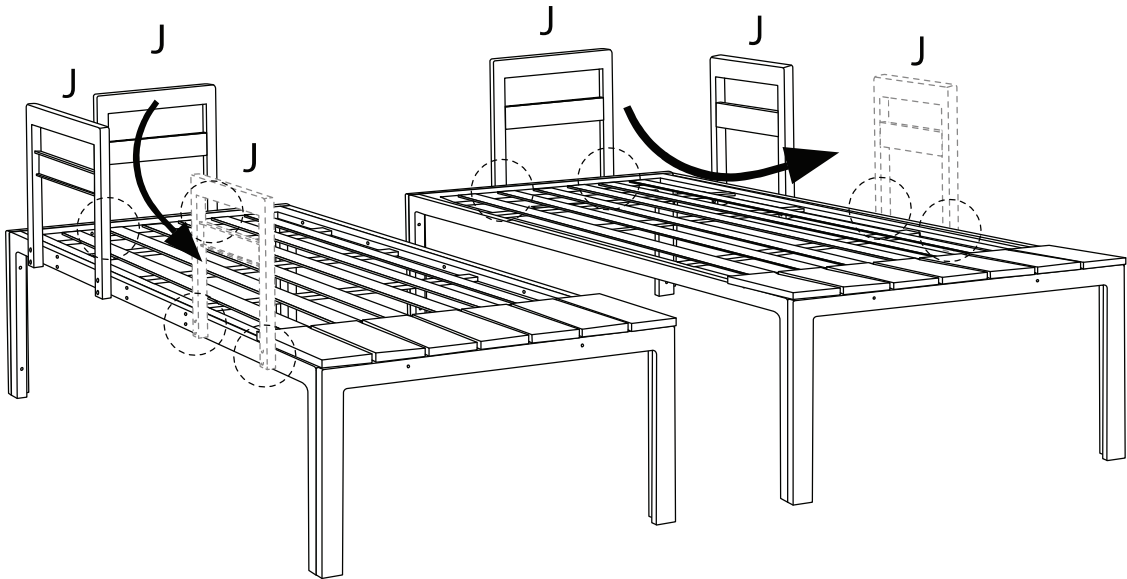
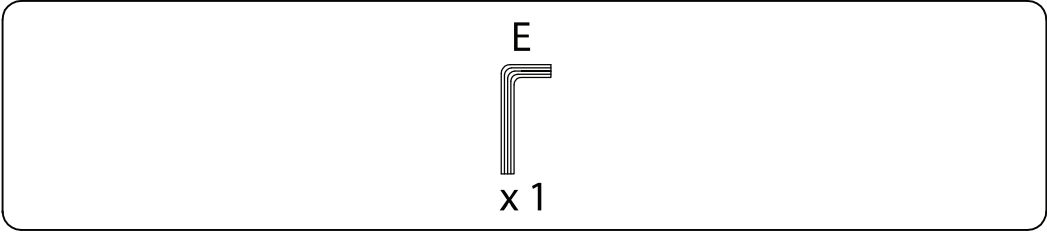
6



7



!



!

