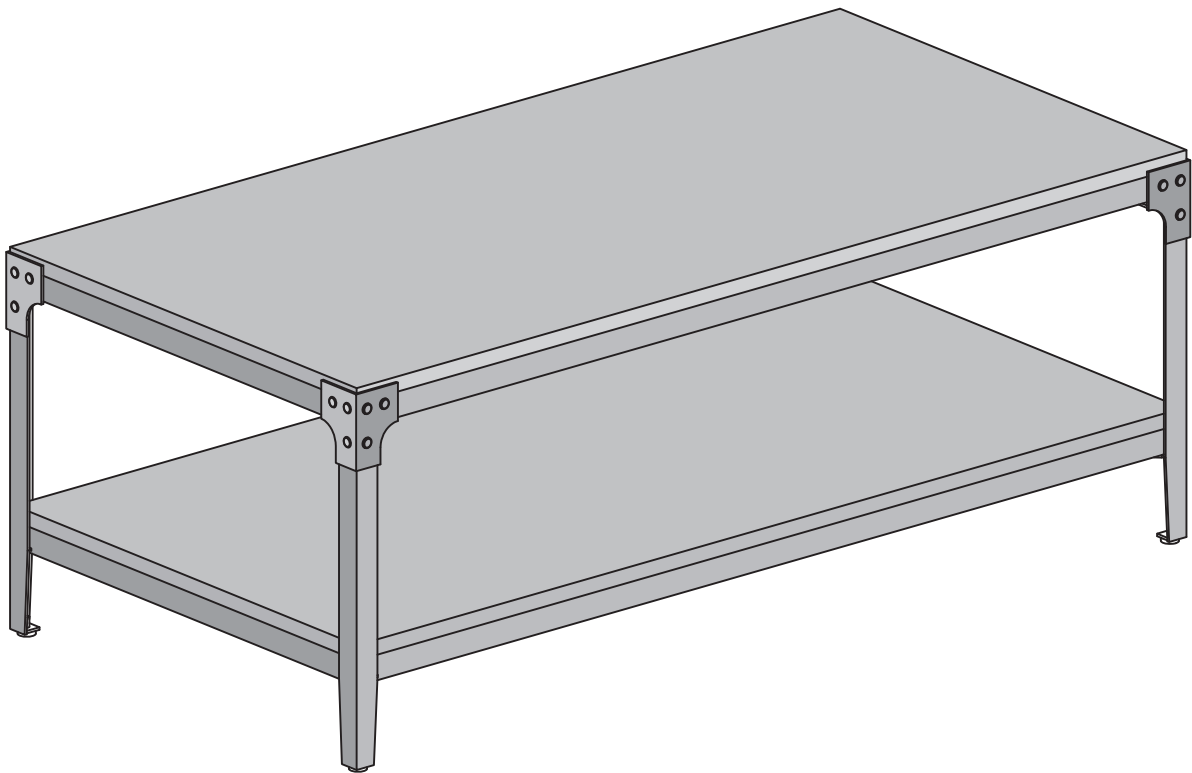
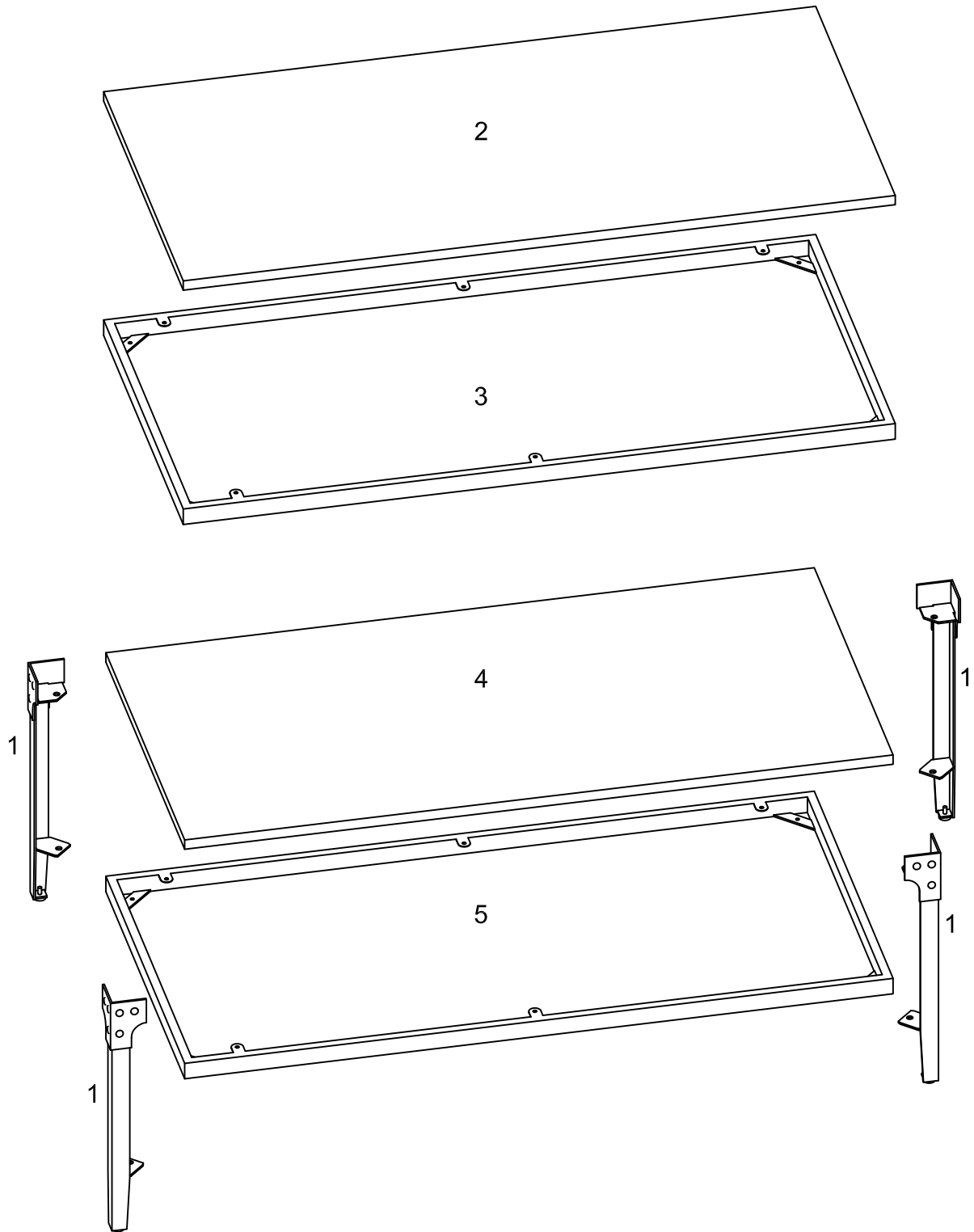


Assembly Instructions

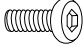
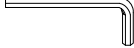


Please visit our website for the most current instructions, assembly tips, report damage, or request parts.

Parts List

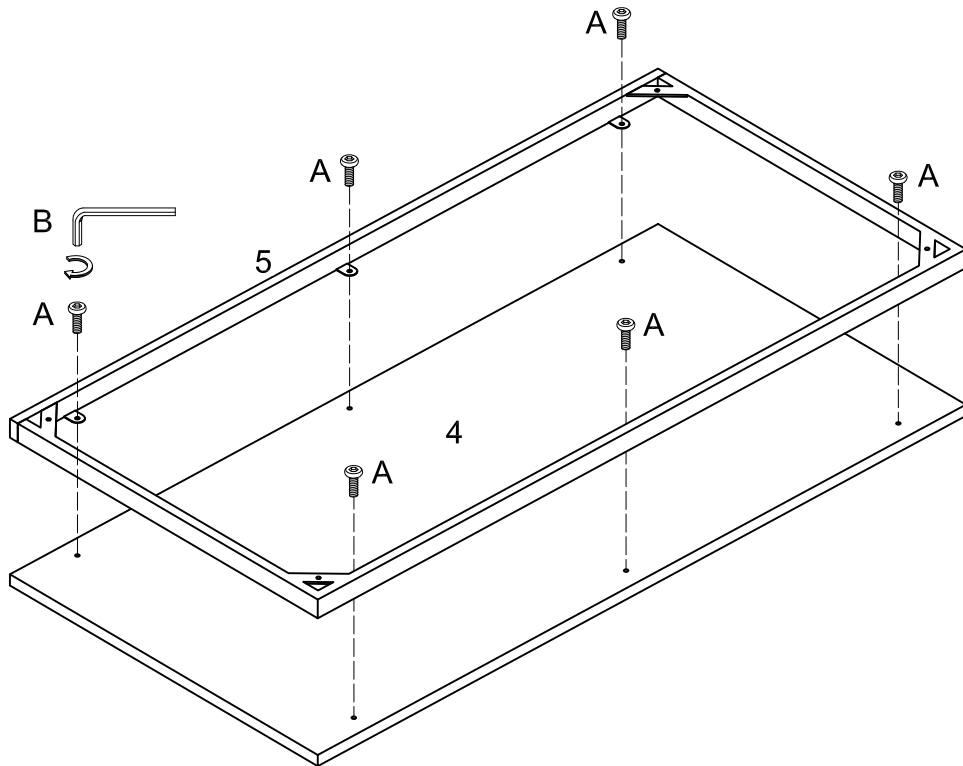


Hardware List

A		Ø1/4"x12mm	Bolt	20 pcs
B		M4mm	Wrench	1 pc

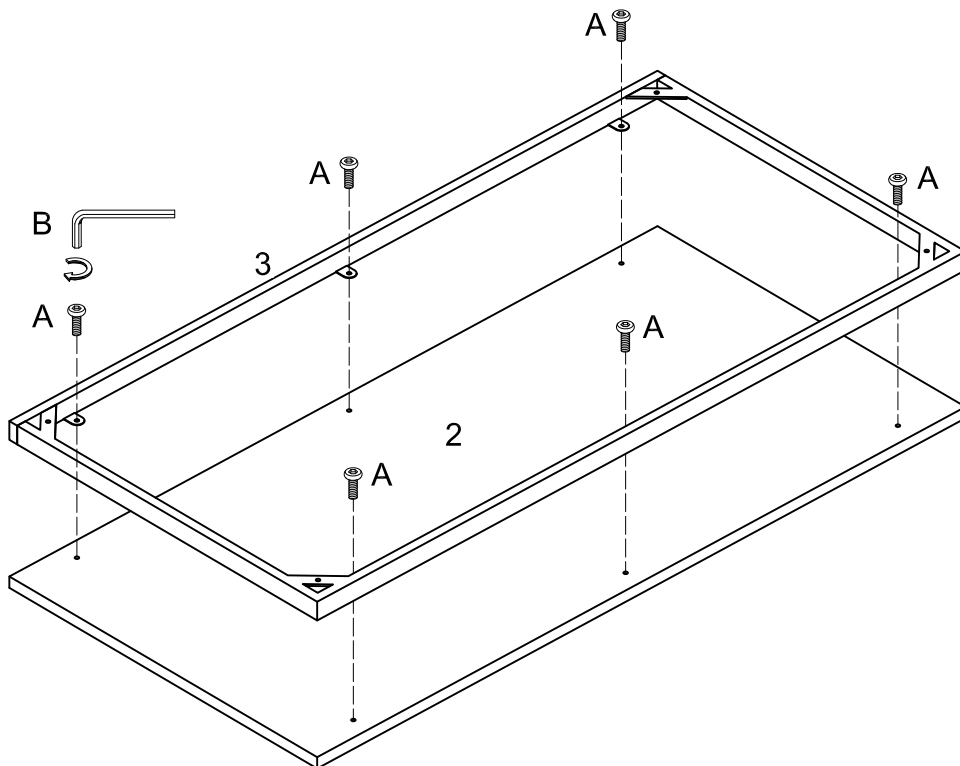
*The hardware quantities listed above are required for proper assembly.
Some extra hardware may also have been included.*

Step 1



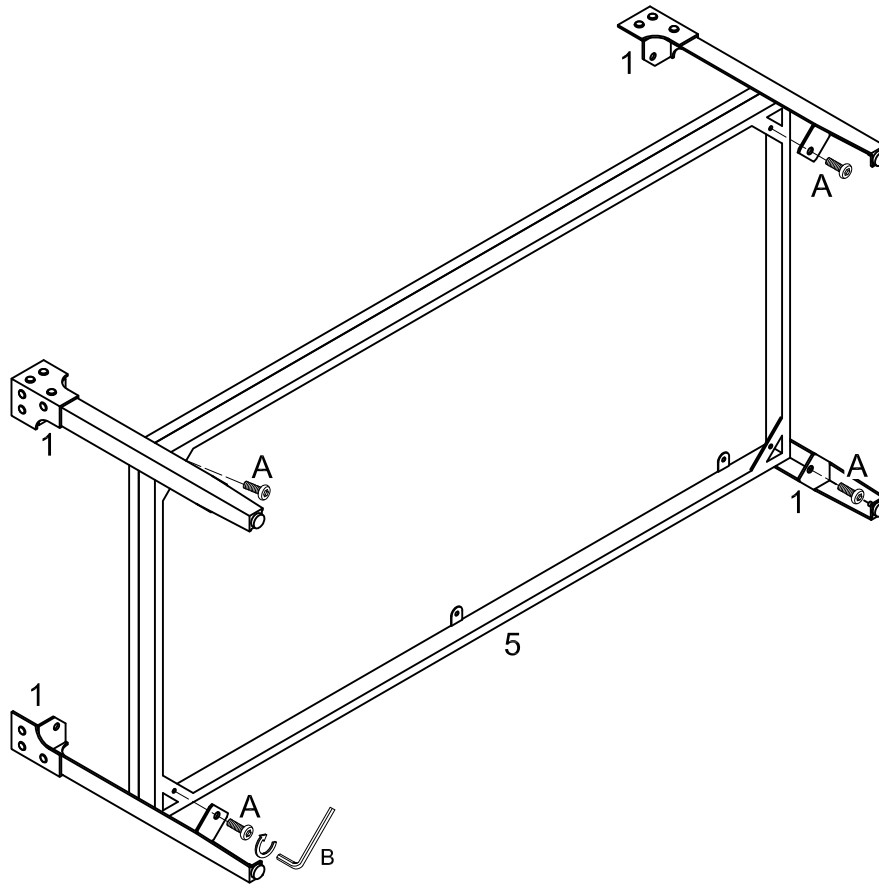
Secure wood panel (4) to frame (5) using bolts (A) as shown.

Step 2



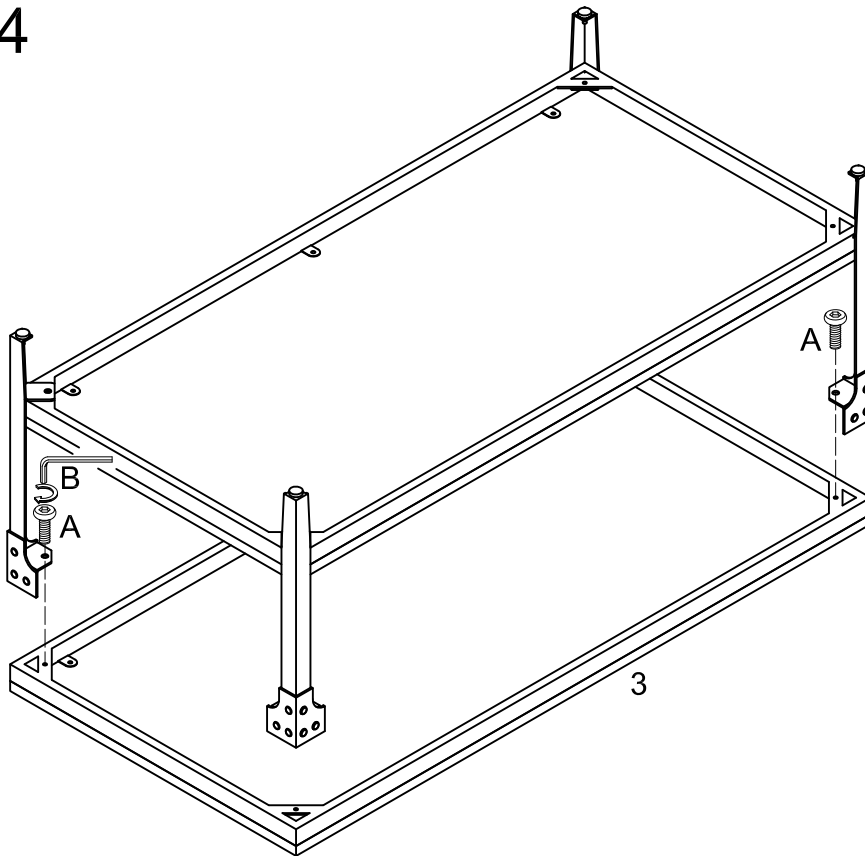
Secure wood panel (2) to frame (3) using bolts (A) as shown in the diagram.

Step 3



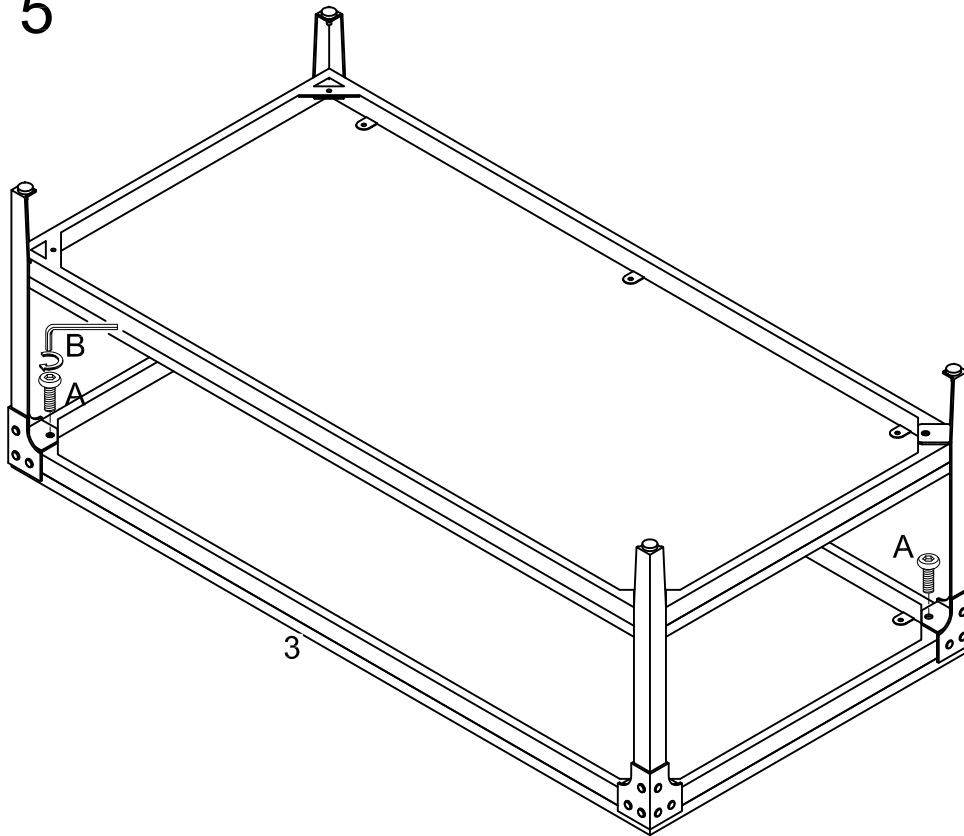
Attach legs (1) to frame (5) using bolts (A) as shown in the diagram.

Step 4



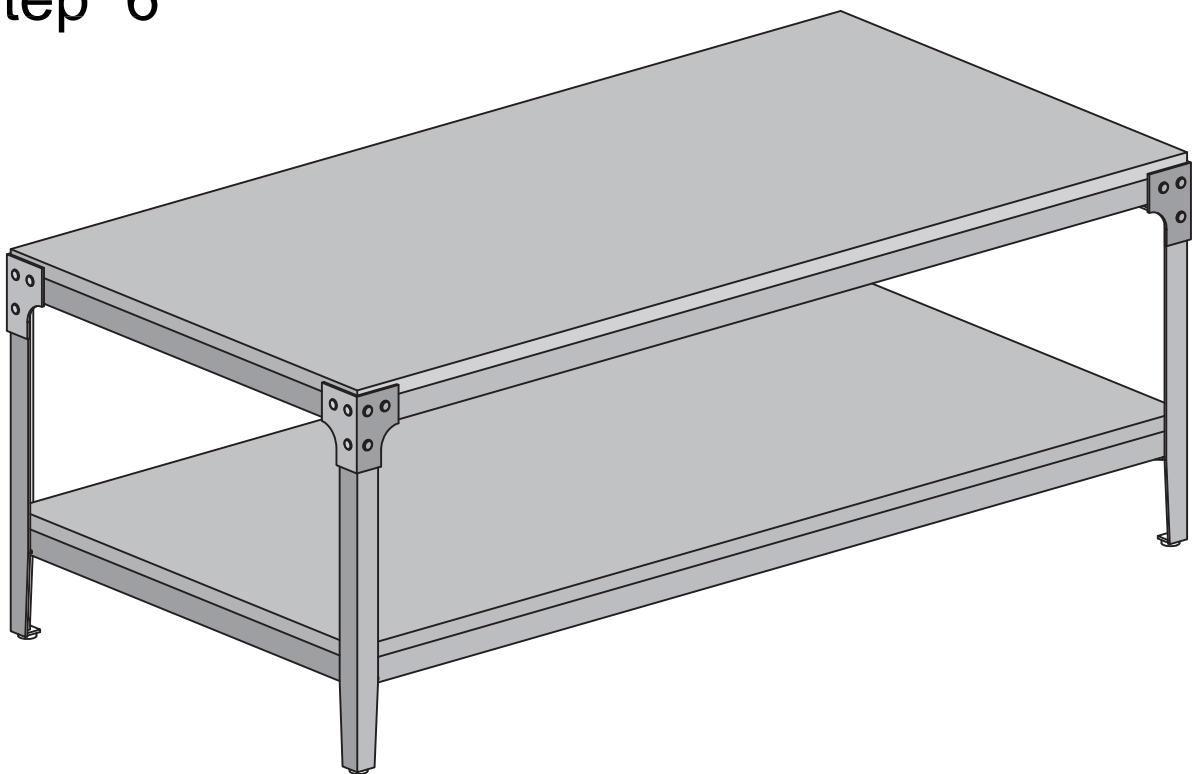
Attach frame (3) to legs (1) using bolts (A) as shown.

Step 5



Attach frame (3) to legs (1) using bolts (A) as shown.

Step 6



Final Assembly