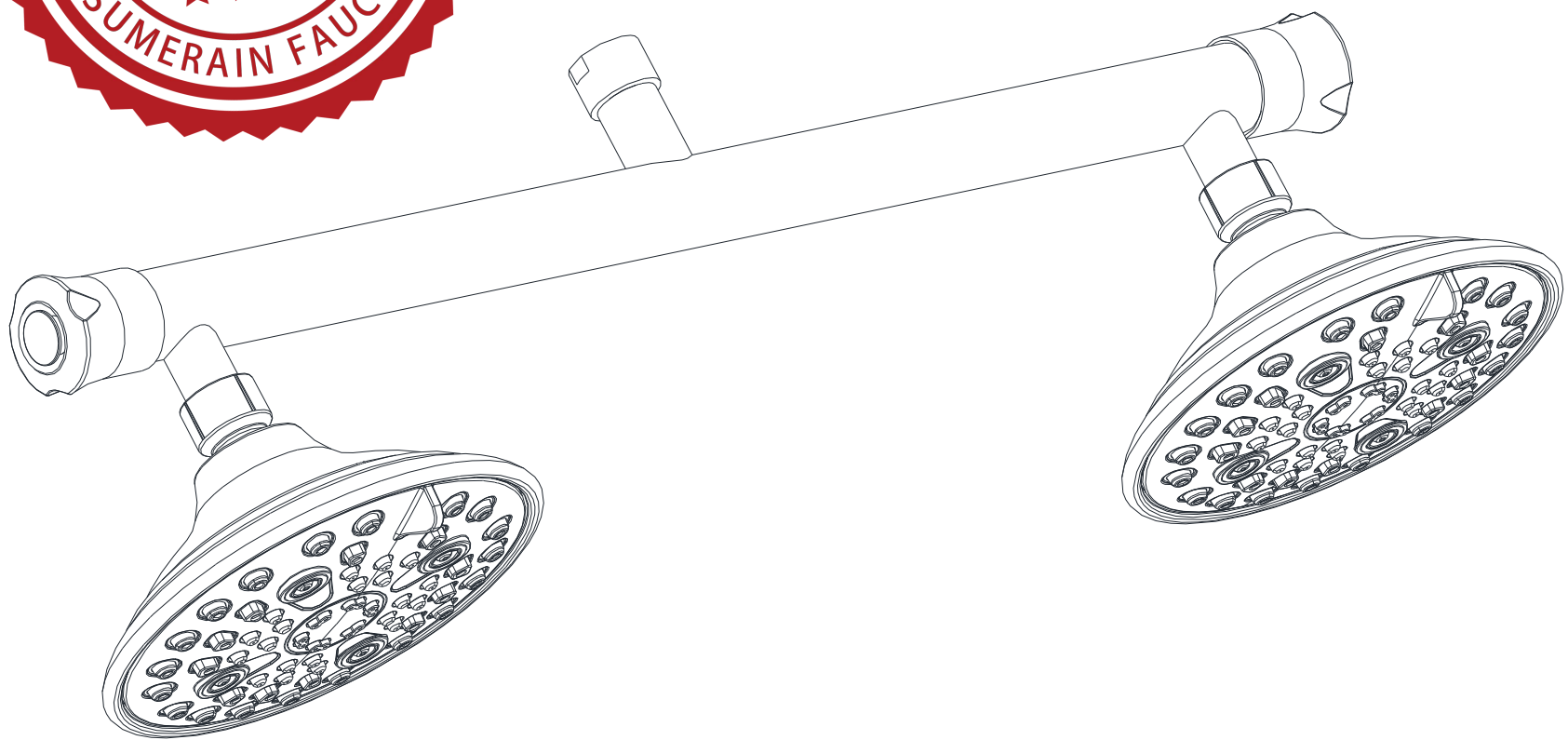


INSTALLATION GUIDE**Dual Manifold Shower Kit**

MODEL	FINISH
S4366K-CH	CHROME
S4366K-BN	BRUSHED NICKEL
S4366K-MB	MATTE BLACK
S4366K-BG	BRUSHED GOLD
S4366K-MG	MATTE BLACK AND GOLD

HOT LINE: +1-866-203-0866

THANK YOU

Dear Valued Customer,

Thank you for choosing SUMERAIN products. We would like to take this opportunity to express our sincere gratitude for your recent purchase. We hope you are completely satisfied with your new product. Rest assured, we meticulously engineer all SUMERAIN products and put them through rigorous factory tests to ensure their prolonged, trouble-free use under normal conditions.

Installing this product is as simple as it gets. All you need are some basic tools and our handy step-by-step illustrated guide. We wholeheartedly welcome any questions or feedback you may have. We eagerly anticipate the opportunity to assist you in the future. If you have any inquiries regarding this product, please do not hesitate to contact us at +1-866-203-0866 or email us at supports@sumerain.com.

Once again, we extend our gratitude for selecting SUMERAIN products. We remain committed to providing exceptional customer service.

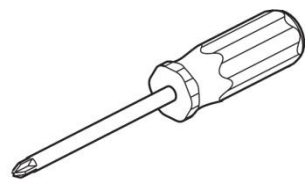
Sincerely,

SUMERAIN Customer Service Department

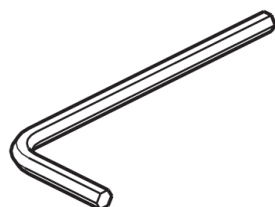
BEFORE PROCEEDING

1. Unpack your new product and verify that all components are present in the package. Until you're ready to install, it's best to keep the product in its original box.
2. Identify the water supply inlets and turn off the water supply valves. You'll typically find these valves near the water meter. If you're replacing an existing unit, make sure to remove the old one and clean the mounting surface thoroughly.
3. Adhere to all plumbing and building codes applicable in your area.
4. If you're not confident about installing the product yourself, we strongly recommend seeking help from a professional.

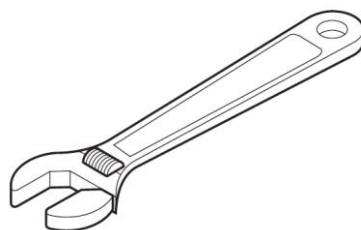
TOOLS RECOMMENDED



Philips Screwdriver



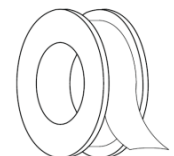
Allen Wrench



Adjustable Wrench



Channel Locks



Teflon Tape

LIMITED LIFETIME CONSUMER WARRANTY

VERSION: 140320.15.3

This product has been manufactured and tested to the highest quality standards by HONGKONG SUMERAIN SANITARY INDUSTRY Co., Limited ("SUMERAIN"). This warranty applies solely to SUMERAIN products purchased by consumers in the United States after January 1st, 2020. In the event of a faucet experiencing leaks or drips during regular usage, SUMERAIN will provide the necessary faucet cartridge to the purchaser, free of charge, in order to restore the faucet to proper working condition. If any defects are identified during normal residential use, SUMERAIN will, at its discretion, perform repairs, provide replacement parts or products, or make appropriate adjustments to ensure the product's optimal functionality.

WHO IS COVERED BY THE WARRANTY

This warranty provides exclusive coverage to the original consumer purchaser, including those who have made purchases through online retail platforms. However, online retail customers who are specifically covered by the "Online CONSUMER Limited Lifetime WARRANTY & Return policy" are also included. Please note that this warranty is non-transferable and cannot be assigned to any other party.

WHAT IS COVERED BY THE WARRANTY

This warranty is applicable only to the SUMERAIN manufactured product that you have purchased. SUMERAIN provides the following warranty against defects in material or workmanship: under normal installation, use, service, and maintenance, if the product or any of its components prove to be defective due to improper workmanship or materials, SUMERAIN will, at its discretion, provide free replacement parts or replace the entire product.

FINISH WARRANTY

Customers are responsible for thoroughly inspecting the product for any material or finish defects within three days of receiving it. Please note that SUMERAIN does not cover surface finish defects under warranty once the fixture has been installed.

ELECTRONIC FAUCETS WARRANTY

SUMERAIN guarantees its LED components, including electronic faucets, valves, controllers, and battery-powered devices, against material and manufacturing defects for one year from the date of purchase, under normal use. The water flow impeller power device (LED faucet power generation device) is guaranteed to be free from manufacturing defects for the first three months from the date of purchase.

LENGTH OF WARRANTY

As stated in the following, any replacement or repaired parts of the product will be covered for the duration of this warranty, which SUMERAIN provides for a period of 1 year from the original date of purchase.

CIRCUMSTANCES THAT SUMERAIN WILL NOT WARRANT AND PAY FOR:

- A. Conditions, malfunctions, or damage that do not result from defects in material or workmanship.
- B. Conditions, malfunctions, or damage resulting from normal wear and tear, improper installation, improper maintenance, misuse, abuse, negligence, accidents, alterations, or the use of abrasive or caustic cleaning agents, "no-rinse" cleaning products, or the product in a manner contrary to the provided instructions. This includes home conditions such as excessive water pressure or corrosion.
- C. Labor or other expenses associated with disconnection, deinstallation, or return of the product for warranty service, as well as installation or reinstallation of the product.
- D. Accessories, connected materials, and products (including but not limited to hand shower flexible hose, spray flexible hose, hand shower, shower head), or related products that are not manufactured by SUMERAIN.

TO OBTAIN WARRANTY PARTS OR INFORMATION

To obtain warranty parts or information professionally, please follow the steps below:

Contact your SUMERAIN retailer or dial the technical service phone number at +1-866-203-0866, or send an email to supports@sumerain.com.

When applying for warranty service, you will need to provide the following information:

- a. Sales receipt or other evidence of purchase date and platform.
- b. Detailed description of the problem.
- c. Ship the product or defective parts to the designated Sumerain warehouse in the United States with prepaid postage. Please ensure careful packaging and insurance of the items. Once the warranty service is completed, any repaired or replaced products or parts will be shipped back to you with prepaid postage.

If you have any further questions or need additional assistance, please contact the provided contact information.

EXCLUSIONS & LIMITATIONS

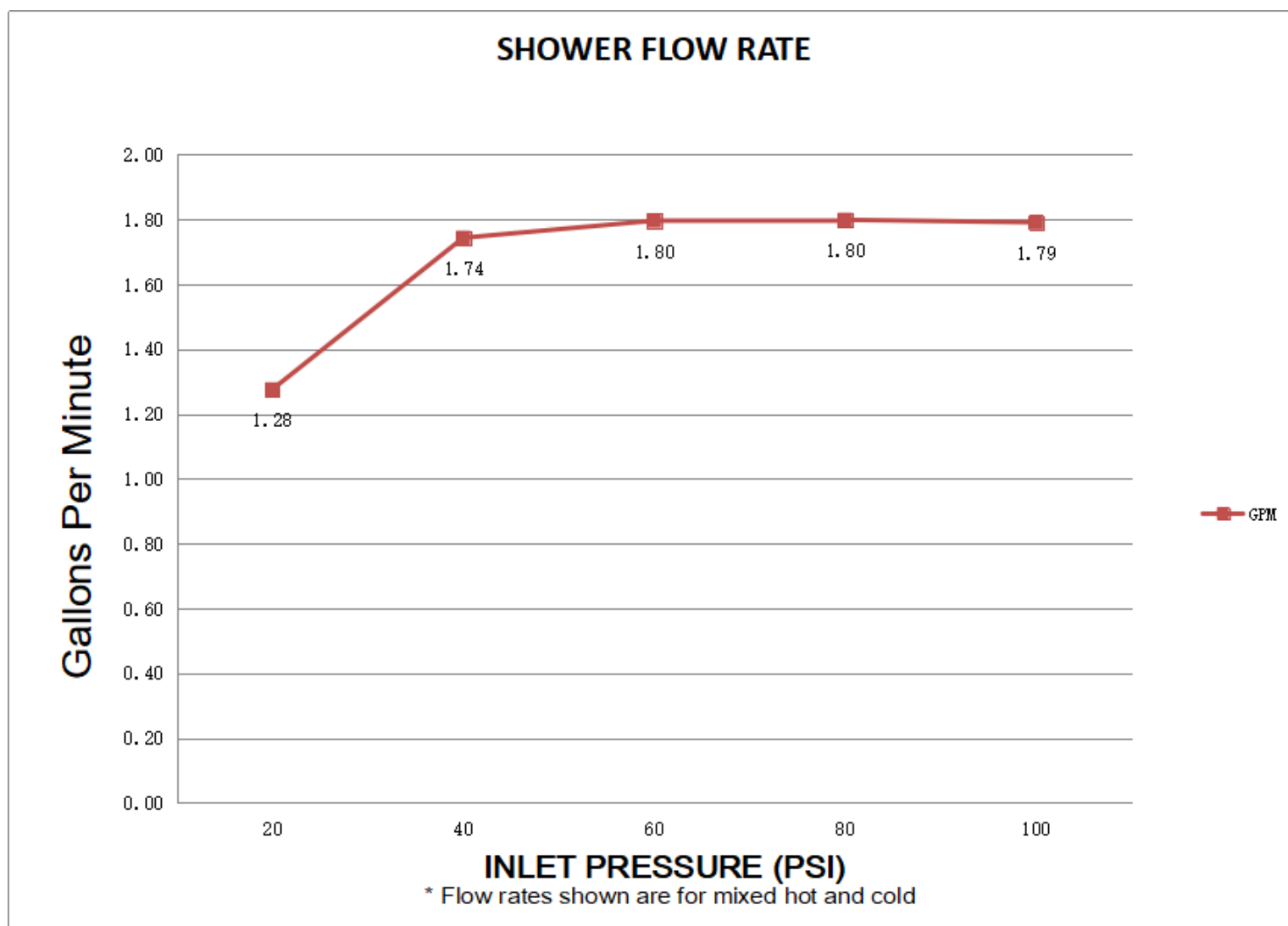
Pursuant to the terms of this warranty, repair, replacement (or, in limited circumstances, refund of the purchase price) shall be the sole remedy available to the purchaser. SUMERAIN assumes no obligations or liabilities and does not authorize any individual to create obligations or liabilities in relation to this product. SUMERAIN shall not be held liable to the purchaser or any party for any incidental, special, or consequential damages resulting from a breach of this warranty or any implied warranties (including merchantability). Please note that certain states do not allow the exclusion or limitation of incidental or consequential damages, therefore the aforementioned limitation or exclusion may not apply to you. This warranty grants you specific legal rights, and you may also have additional rights that vary from state to state. Before initiating any legal proceedings against us under the Magnuson-Moss Warranty Act, you may be legally required to provide us with a reasonable opportunity to rectify or resolve any non-compliance.

PRODUCT INSTRUCTIONS & QUESTIONS

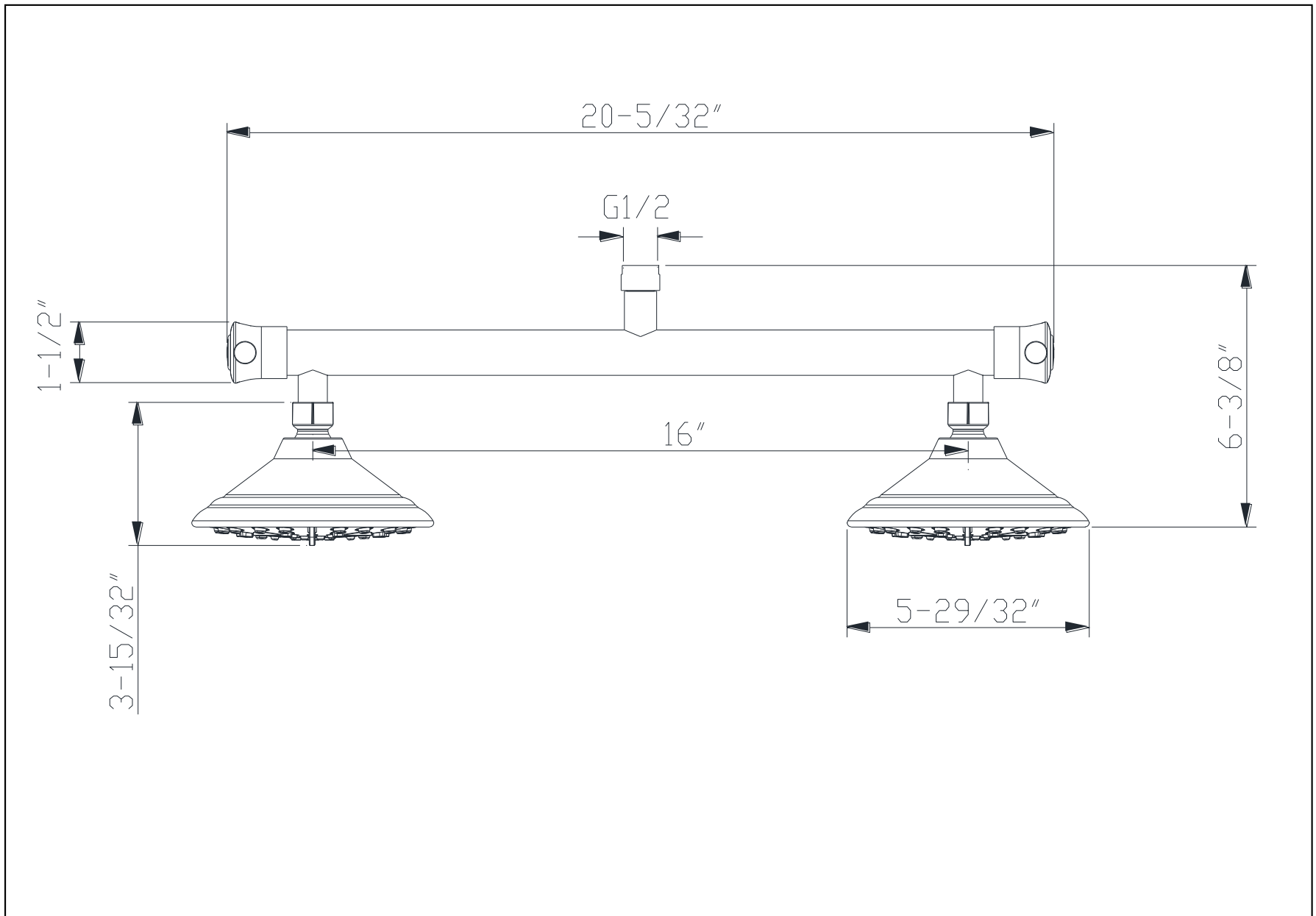
Prior to installation, we strongly recommend conducting a meticulous inspection of your SUMERAIN product to identify any potential damage or visible defects. It is crucial to thoroughly review the accompanying instructions regarding the correct installation, maintenance, and care procedures for the product. Should you have any inquiries regarding the utilization, installation, performance, or this warranty of your SUMERAIN product, please don't hesitate to reach out to us at +1-866-2030-866 or via email at supports@sumerain.com. Our dedicated team is readily available to provide professional assistance and address any concerns you may have.

FUNCTIONS AND SPECIFICATION

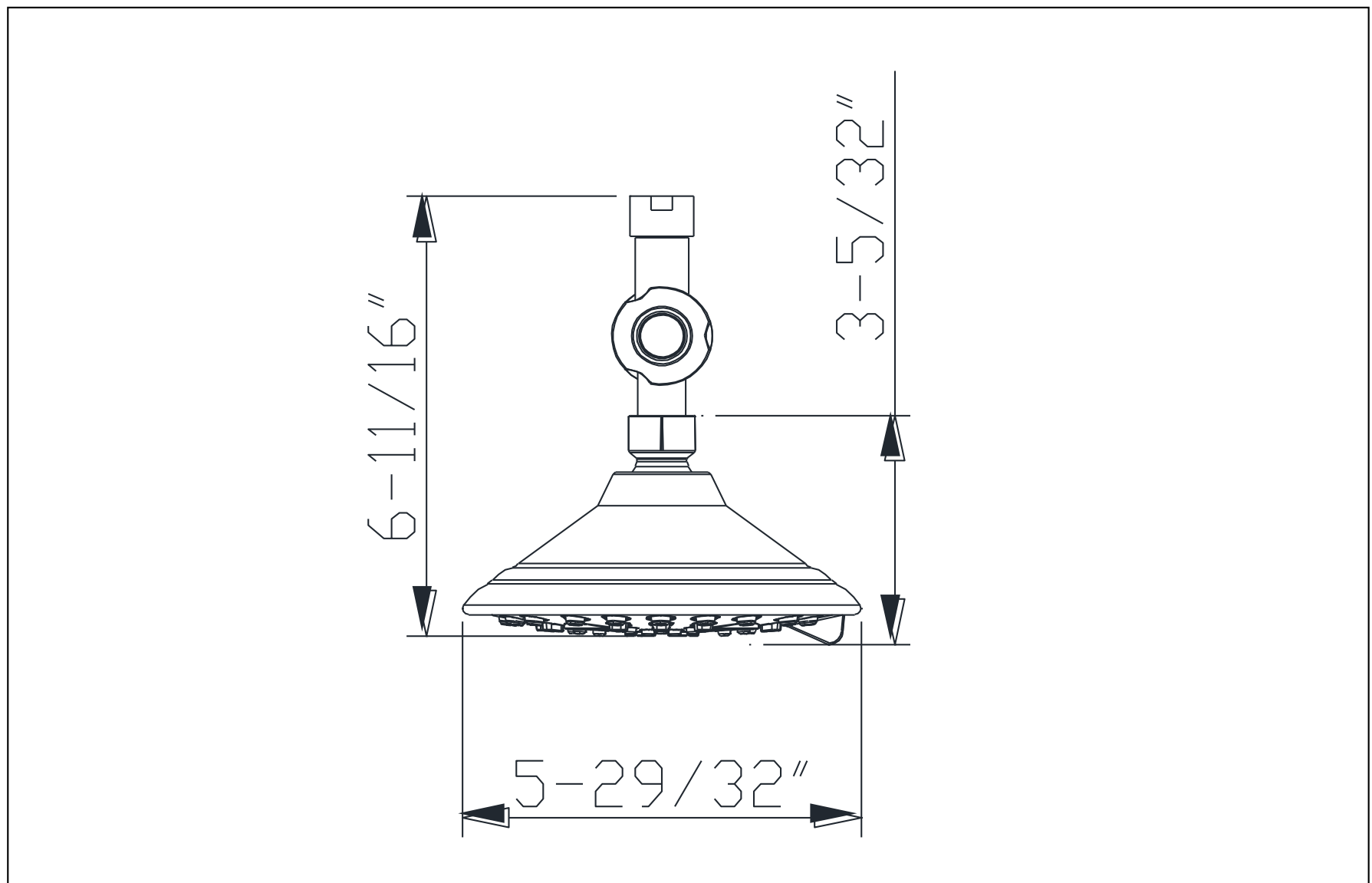
Faucet Type	Dual Manifold Shower Kit
Feature	Dual Shower Head With Shutoff Valve
Theme	Traditional
Mounting Type	Shower Arm Mounted
Finish	Chrome/Brushed Nickel/Matte Black/Brushed Gold/Matte Black And Gold
Shutoff Valve Included	Yes
Shutoff Valve Location	Manifold Pipe
Shower Head Included	Yes
Showerhead Material	Plastic
Showerhead Dimension	5-29/32Inch
Number Of Showerheads	Two
Adjustable Spray Pattern	Yes
Number Of Spray Patterns	Six
Spray Pattern	Rain/ Misty/ Massage/Rain And Misty/Rain And Massage/Trickle
Handle Style	Knob
Adjustable Water Flow	Yes
Total Length	20-5/32Inch
Total Width	6-3/8Inch
Max Flow Rate	1.8GPM @60PSI
Recommend Working Water Pressure	43.5PSI ~ 116PSI
Net Weight	2.82 lbs
Gross Weight [Overall Product Weight]	4.12 lbs
Packing Box [L x W x H]	22-1/16Inch x 8-1/16Inch x 4-15/16Inch



DEMENSION



FRONT VIEW



LEFT VIEW

INSTALLATION STEPS

1. BEFORE PROCEEDING



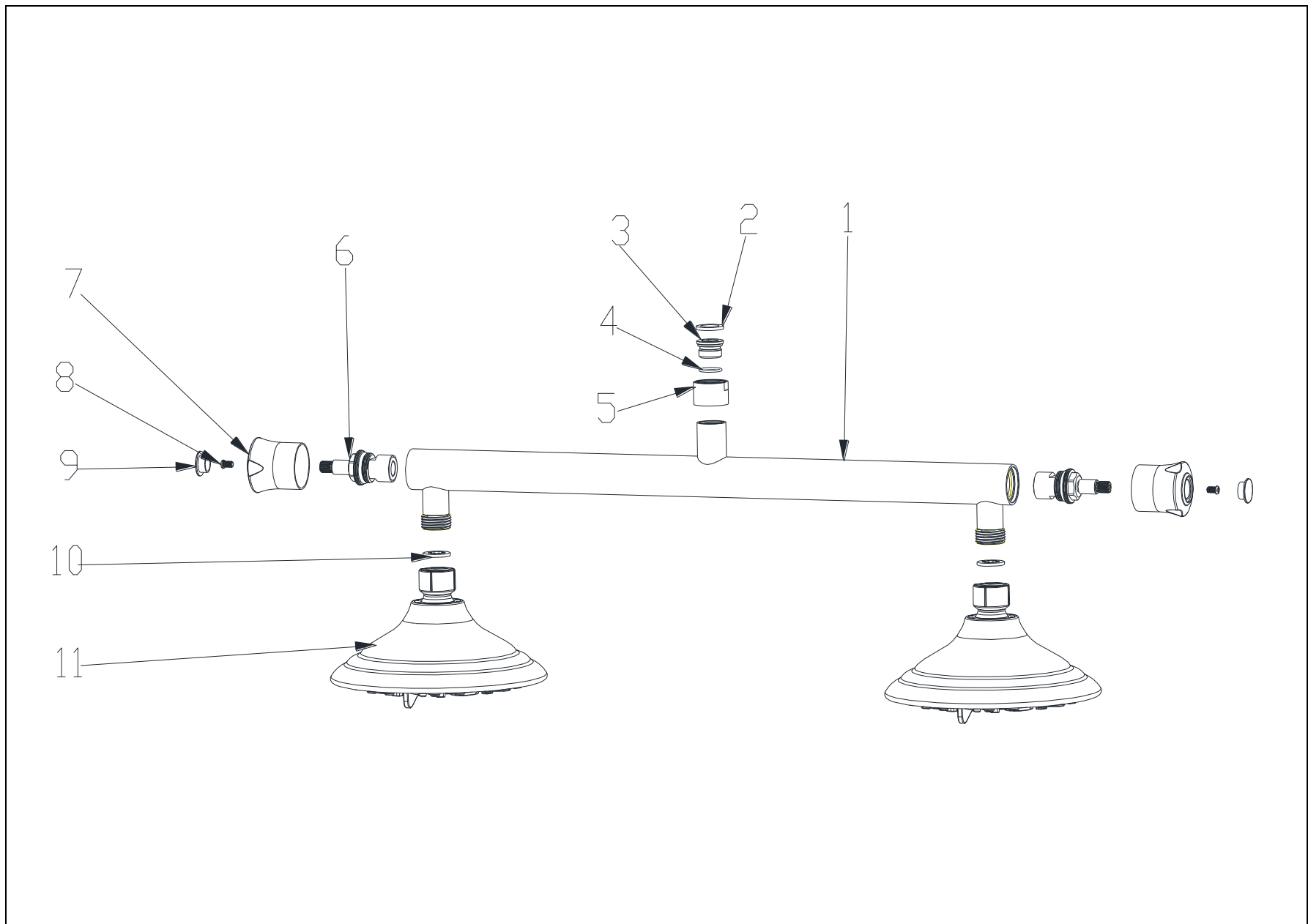
WARNING: Before proceeding with any operation, please read all instructions thoroughly. If you are uncertain about installing this product, please consult a professional! This product should be installed in accordance with all local and state plumbing and building codes. It is recommended to seek professional assistance.

2. SHUT OFF WATER SUPPLY

Locate the water supply inlets and shut off the corresponding water supply valves, typically found near the water meter. If replacing an existing unit, remove the old unit and thoroughly clean the mounting surface.

3. CHECKING THE CONTENTS OF THE BOX

Upon opening the box, check to ensure that all the following items are included.



NO.	ITEM NAME	MATERIAL	QTY	PART NO.
1	Manifold Pipe	SUS304	1	PPI43660XX
2	Rubber Washer	NBR	1	PRW19020XX
3	Adapter Nut	HPB59-1	1	PCN21383XX
4	O-Ring	NBR	1	POR16015XX
5	Elbow Nut	HPB59-1	1	PNT21384XX
6	Cartridge	HPB59-1	2	PCT14061XX

NO.	ITEM NAME	MATERIAL	QTY	PART NO.
7	Knob	HPB59-1	2	PHD43662XX
8	Set Screw	SUS304	2	PSC04012XX
9	Screw Cover	ABS	2	PSA21532XX
10	Flow Restrictor	ASSEMBLE	2	PAE00036XX
11	Shower Head	ASSEMBLE	2	PTR43660XX

If any of these items are missing, please contact SUMERAIN consumer service by email to: supports@sumerain.com

4. PLANNING AND INSTALLATION INSTRUCTIONS



Attentions:

(A.) Check Compatibility:

Ensure your existing shower arm thread is 1/2" [NPS 1/2", G1/2", or NPT 1/2"].

(B.) To ensure proper shower function, the faucet must be installed, flushed, and inspected according to applicable regulations!

Control valve working pressure:

Maximum: 116 PSI.

Recommended working pressure: 43.5 PSI.

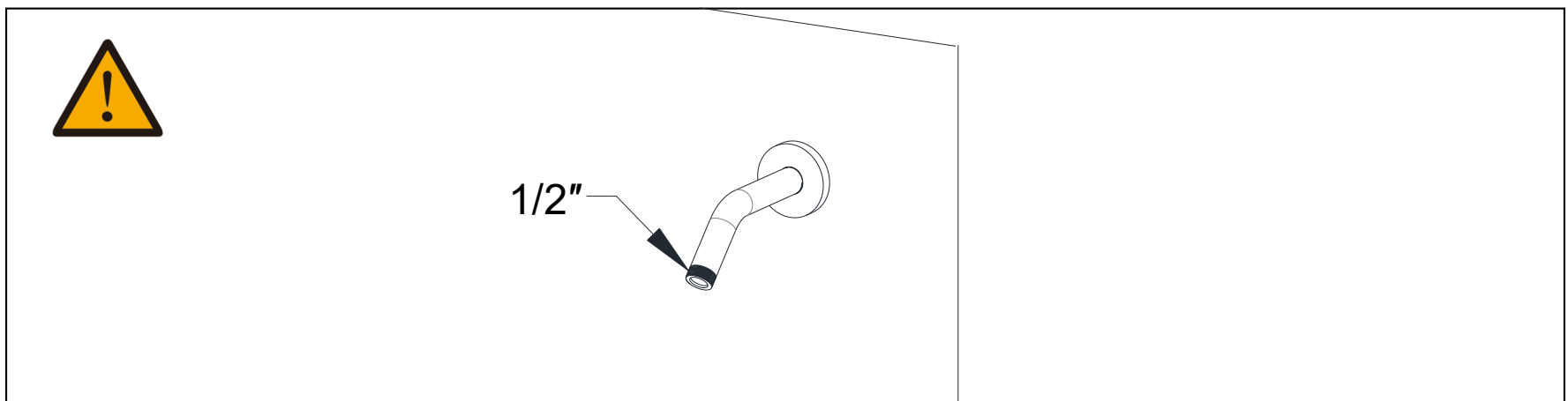
Hot water temperature: Maximum 140 degrees Fahrenheit.

5. INSTALLATION STEPS

5.1 Verify Thread Compatibility

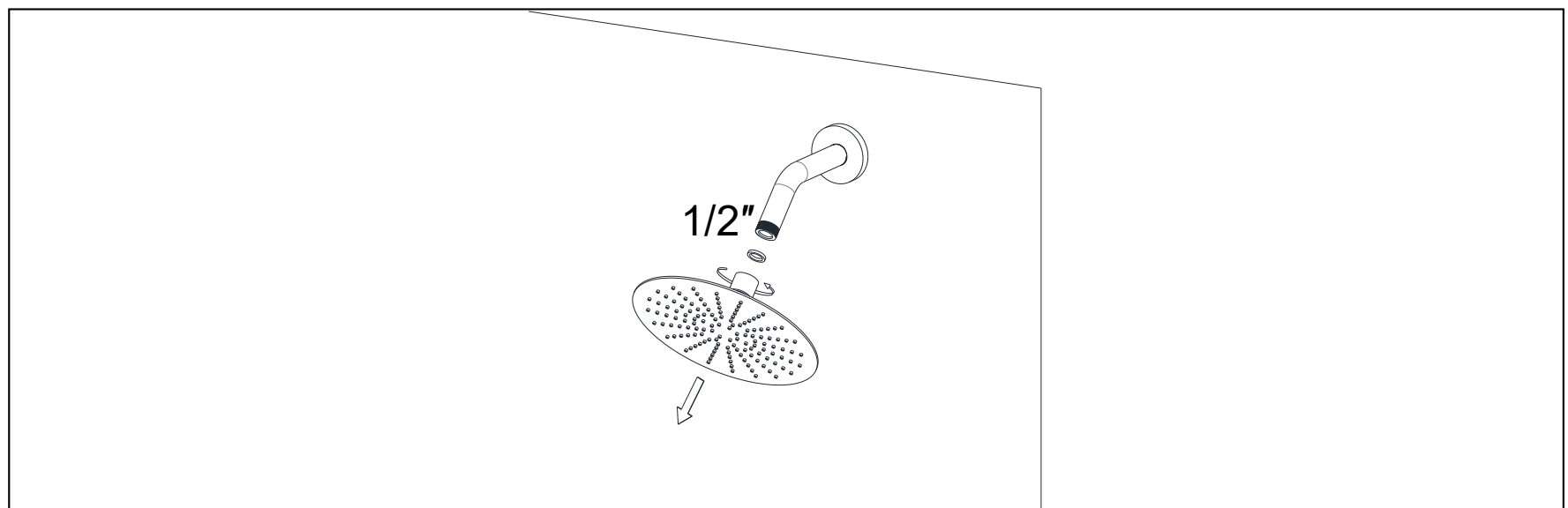
(a.) Ensure the threading on your existing shower arm conforms to one of the following specifications: NPS 1/2", G1/2", or NPT 1/2".

(b.) If the threading does not match, you will need to replace the shower arm with one that meets the specifications required for this product.



5.2 Remove Existing Shower Head

(a.) Remove the old shower head from the shower arm. If the shower head is tightly screwed on, you may need to use an adjustable wrench. Be careful when removing it to avoid damaging the threads on the shower arm.

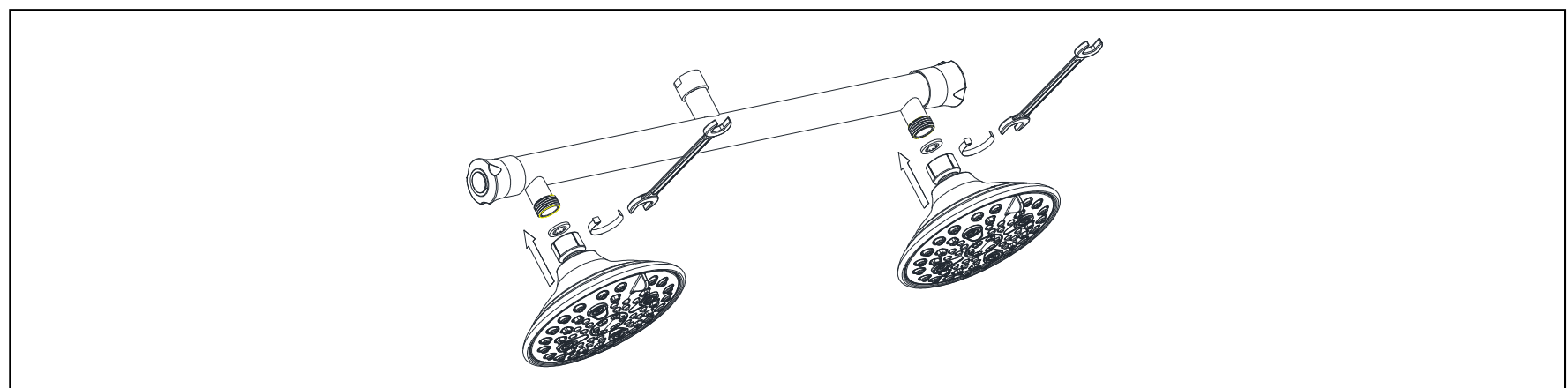


5.3 Install Shower Head

(a.) Locate the left and right water outlets on both sides of the manifold pipe.

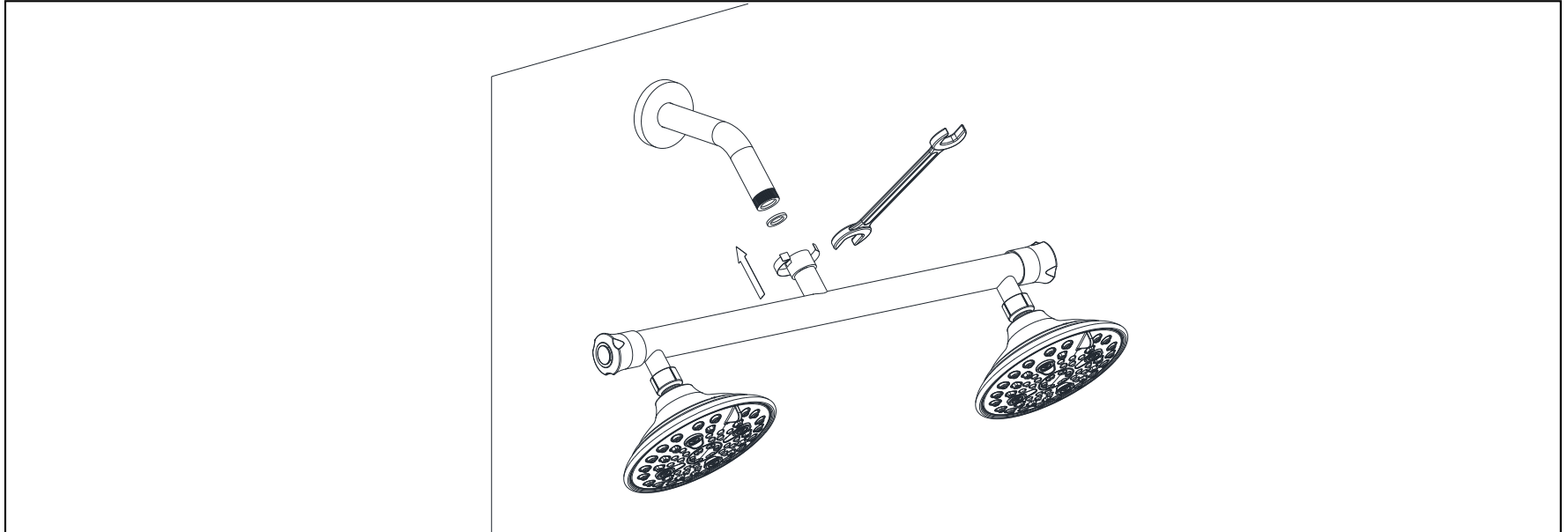
(b.) Remove the shower heads from their packaging and align them with the corresponding water outlets. Manually tighten the top nuts of the shower heads onto the outlets of the manifold pipe.

(c.) After hand-tightening, use an adjustable wrench to further secure the nuts, ensuring a snug fit. Be careful not to over-tighten the nuts.

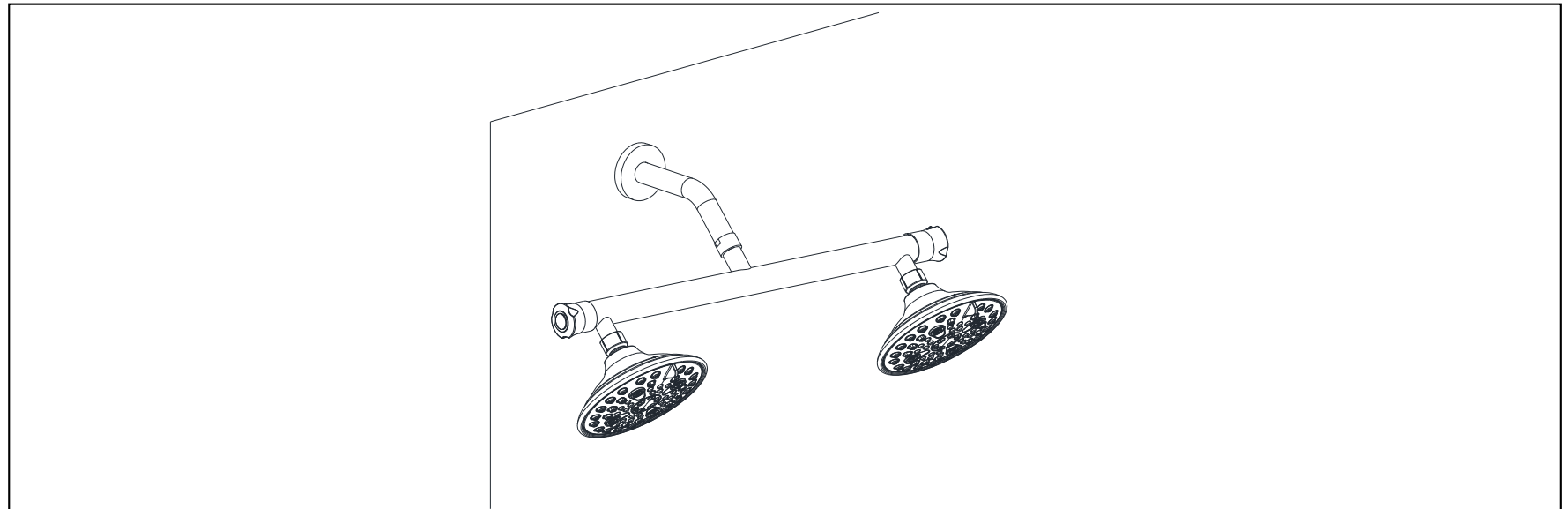


5.4 Install The Double Headed Manifold With Shower Head

- (a.) Attach the Double headed manifold with shower head to the shower arm.
- (b.) Align the nut on the inlet connector of the manifold pipe with the outlet of the shower arm.
- (c.) Use a wrench to tighten the nut clockwise to ensure a secure connection. Make sure the connection is tight to prevent leaks, but avoid over tightening to protect the threads.



5.5 ASSEMBLY FINISHED



6. OPERATION GUIDE FOR DUAL MANIFOLD SHOWERHEAD

Adjusting Water Flow And Operation Of Shower Heads.

Your dual manifold shower kit is equipped with two control knobs located on the left and right sides of the manifold pipe:

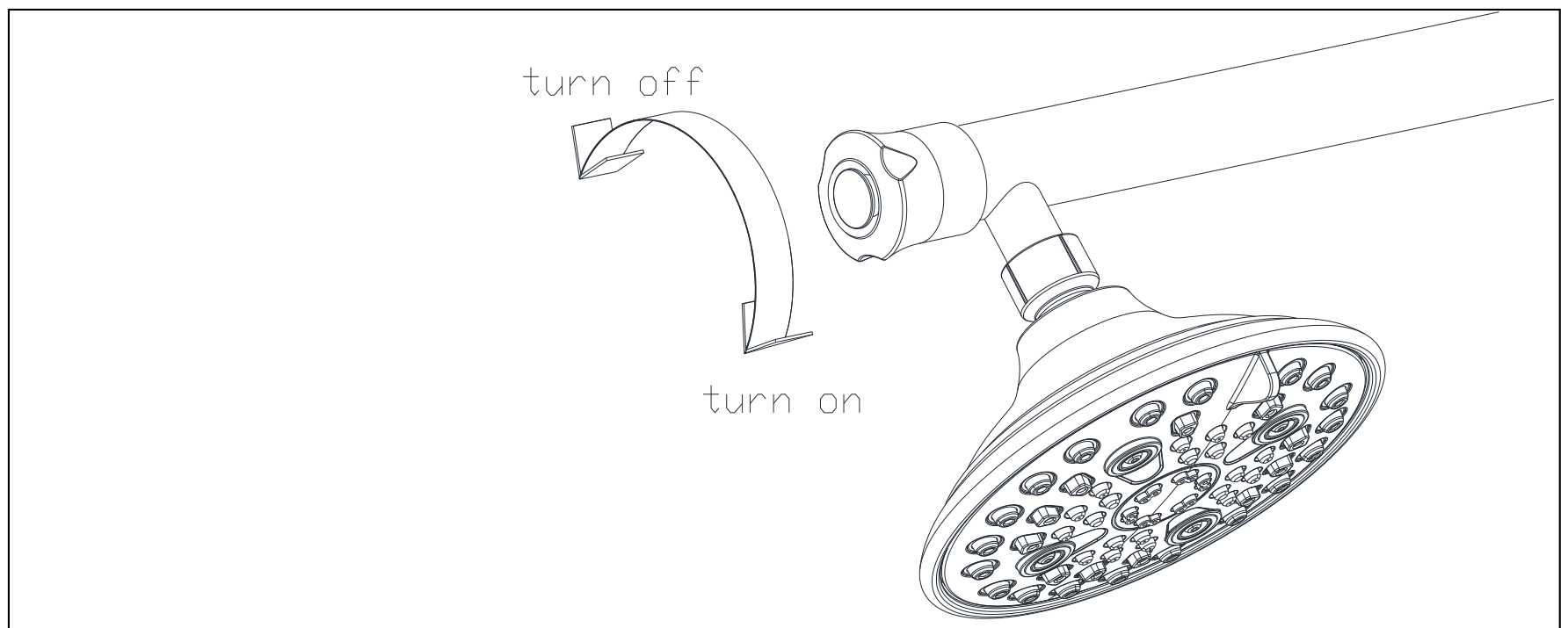
6.1 To Operate The Shower Heads

(a.) Opening the Valve:

Rotate the knob clockwise to open the valve and start the water flow. As you continue turning the knob, the water flow will increase from low to high. A 90-degree rotation will provide the maximum flow.

(b.) Closing the Valve:

To decrease the water flow or turn off the water supply, rotate the knob counterclockwise. The water flow will decrease gradually until it completely stops when the knob returns to the 0-degree position.



6.2 Dual Operation Guide

(a.) Simultaneous Use:

When both the left and right valves are in the open position, both shower heads will release water, allowing for dual usage.

(b.) Individual Use:

If you wish to use only one of the shower head, simply open the control knob on the desired side. Ensure that the other knob is in the closed position to prevent water flow from that side.

6.3 Flexible Adjustment For Optimal Comfort

(a.) Adjusting the Angle of the Shower Heads:

Each of the shower heads on the left and right sides can be adjusted up to 80 degrees vertically and horizontally. This allows users to position the water flow in their preferred direction for an optimal showering experience.

Adjustment Methods:

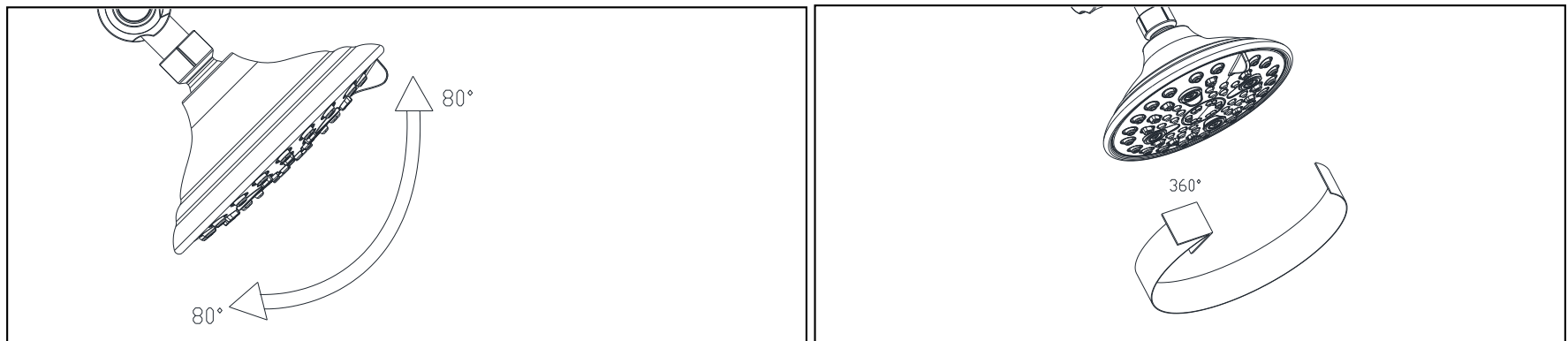
- (1) Gently push or pull the shower head up or down to adjust the vertical angle.
- (2) Swing the shower head left or right to set the horizontal angle.

(b.) 360-Degree Rotation of the Ball Joint:

The ball joint at the base of each shower head allows for a full 360-degree rotation, providing greater flexibility to direct the water flow.

Rotation Method:

- (1) Firmly hold the shower head and rotate it clockwise or counterclockwise as needed to achieve the desired direction.



6.4 Adjusting The Spray Modes Of The Shower Head.

(a.) Selection of various water patterns:

The shower head is equipped with six distinct spray modes to enhance your showering experience. These modes include:

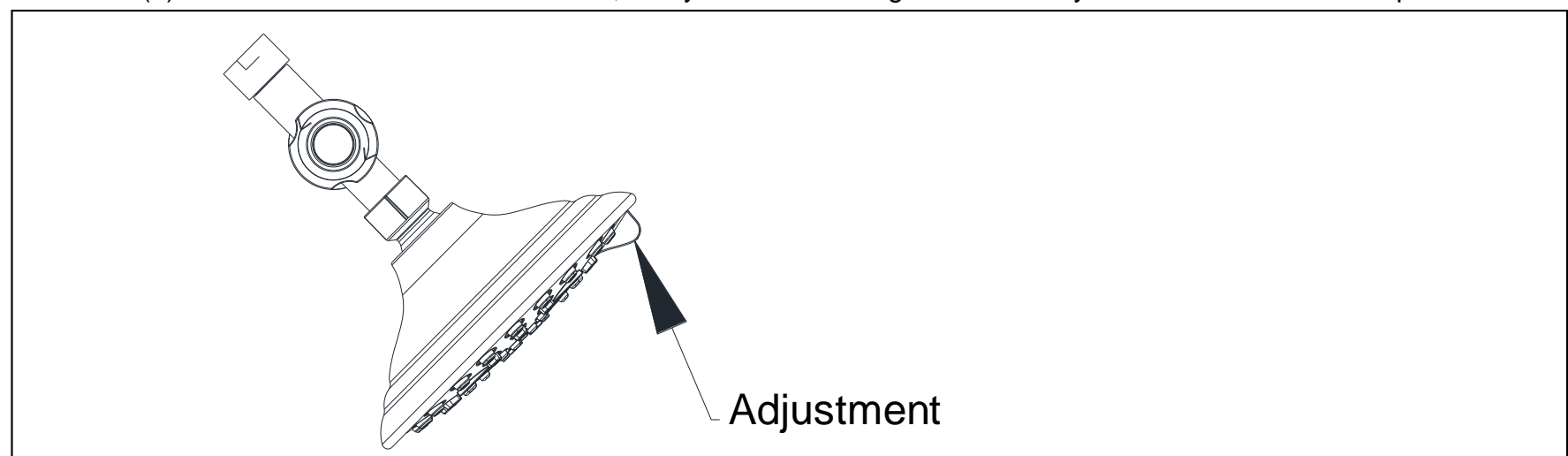
- Rain: A soothing raindrop pattern that offers a gentle shower experience.
- Misty: A fine mist that brings a refreshing sensation.
- Massage: Concentrated jets that help relieve tension.
- Rain and Misty: A combination of rain and mist for a luxurious shower experience.
- Rain and Massage: A mix of gentle rain and massaging jets.
- Trickle: A low-flow option for offering water-saving and water-pause features while maintaining a consistent water temperature.

(b.) How to adjust spray patterns:

Locate the Adjustment Dial: Find the dial or switch on the shower head.

Change Modes:

- (1) Rotate the dial to the left or right to switch between the different spray modes.
- (2) Each mode is indicated on the dial, and you will feel a slight click when you turn the dial to a new position.



7. INSPECTION

7.1 Turn on water supply and check all connection for ensuring no leaking anywhere.

INSTALLATION FINISHED

CLEARNING RECOMMENDATION FOR SUMERAIN PRODUCTS

Modern lavatory faucets, kitchen faucets, and showers are built using a wide variety of materials to cater to the market's demands for design and functionality. To avoid damage and potential returns, adhering to specific cleaning guidelines is crucial.

Cleaning Materials for faucets & showers

When cleaning faucets and showers, it is important to consider the following professional terms:

- Acidic cleaning agents are essential for lime removal.
- Ensure to use only cleaning agents that are specifically designed for this particular application.
- Avoid using cleaning agents containing hydrochloric, formic, phosphoric, or acetic acid, as they can cause significant damage.
- Avoid mixing different cleaning agents, as this can cause harmful chemical reactions.
- Avoid using abrasive cleaning agents or tools, including unsuitable cleaning powders, sponge pads, or microfiber cloths that could damage the surface.

Cleaning instructions for faucets & showers

Please follow the cleaning material manufacturer's instructions. In addition, pay attention to the following points:

- Clean faucets and showers regularly as needed to maintain their optimal function and appearance.
- Apply the recommended amount of cleaning product for the specified duration. Be sure not to leave the cleaner on the faucets longer than necessary to avoid potential damage.
- Regular cleaning can help prevent calcification. If you notice scale deposits on the faucet surface or spout, use a commercial descaler such as Lime-Away® or CLR®.
- In case of rust formation due to hard water conditions, gently abrade the affected area with aluminum foil soaked in water until the surface is smooth. Subsequently, apply a modest amount of chrome polish or a suitable product like automotive wax (for instance, Meguiar's®, Turtle Wax®) to buff the surface.
- Solid stainless steel faucets and spouts, especially waterfall spouts, typically lack a protective coating. Although stainless steel is naturally resistant to tarnishing, it can oxidize over time and react to its environment. Therefore, it's crucial to keep stainless fixtures clean and dry. Use a cleaner specifically designed for stainless steel, such as Weiman® or CLR®.
- When using a spray cleaner, it is recommended that you first apply it to a soft cloth or sponge rather than spraying it directly onto the faucet. This method helps prevent water droplets from entering the faucet opening and causing potential damage.
- After cleaning, thoroughly rinse with clean water to remove any residue from the cleaner.

Important

Residues from liquid soap, shampoo, and shower gel can also contribute to damage. Therefore, it's crucial to thoroughly rinse these substances off with clean water after use.



Note: if the surface is already damaged, the application of cleaning materials might exacerbate the damage.

Components with damaged surfaces must be replaced or injury could result.

Note that any damage resulting from improper treatment is not covered by the warranty.



SUMERAIN INTERNATIONAL GROUP INC

Address: 1226 NORTH KING ST NUM 522
WILMINGTON, DE 19801
United States

Tel: +1(866)203-0866

Web: <http://www.sumerain.com>

E-mail: supports@sumerain.us

HONGKONG SUMERAIN SANITARY INDUSTRY CO., LIMITED

Address: FLAT/RM 3B 3/F BANK TOWER
NOS.351&353 KING'S ROAD
NORTH POINT
HK

Tel: +86-750-2731579

E-mail: supports@sumerain.com

SUMERAIN EUROPE SUPPORT

Address: Flottwellstr.15
10785 Berlin,
Deutschland

Tel: +49 (0)30/23975898

E-mail: de@sumerain.com