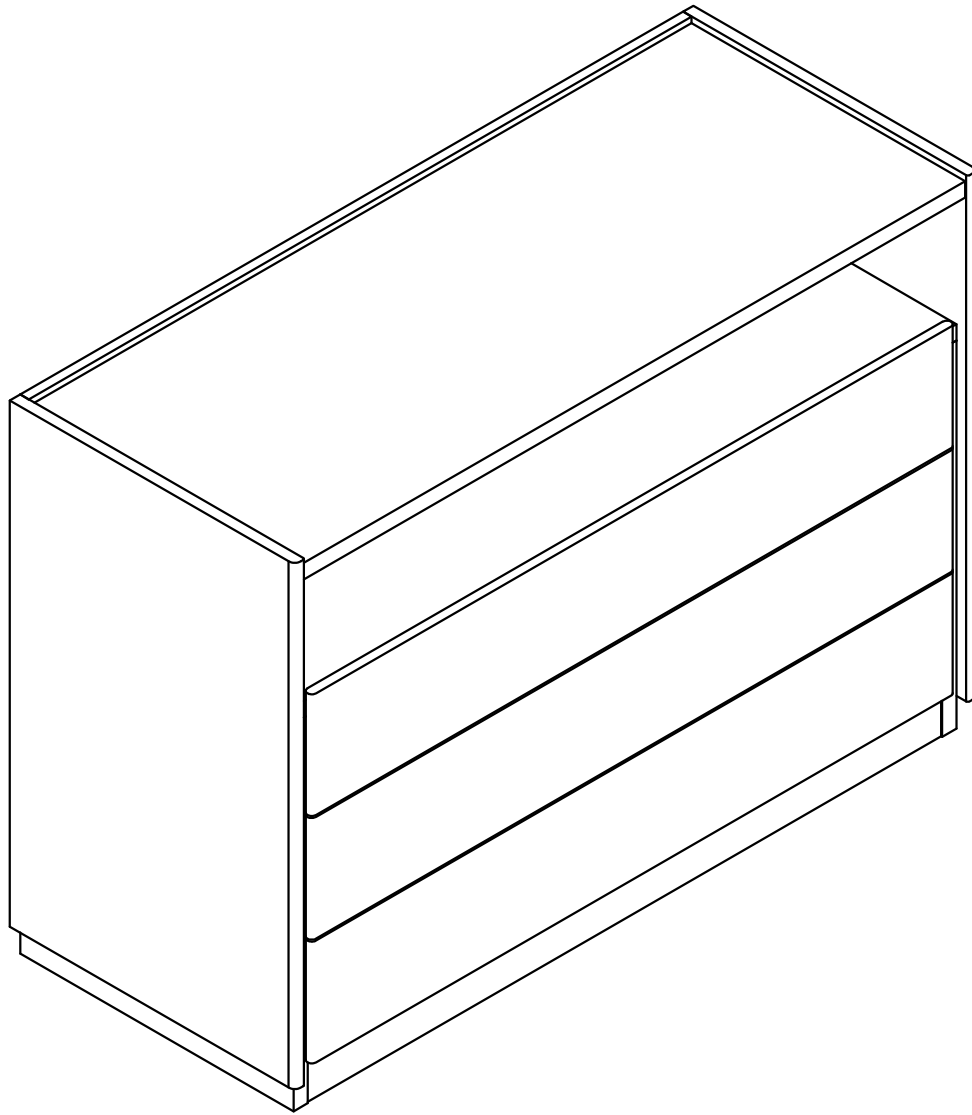
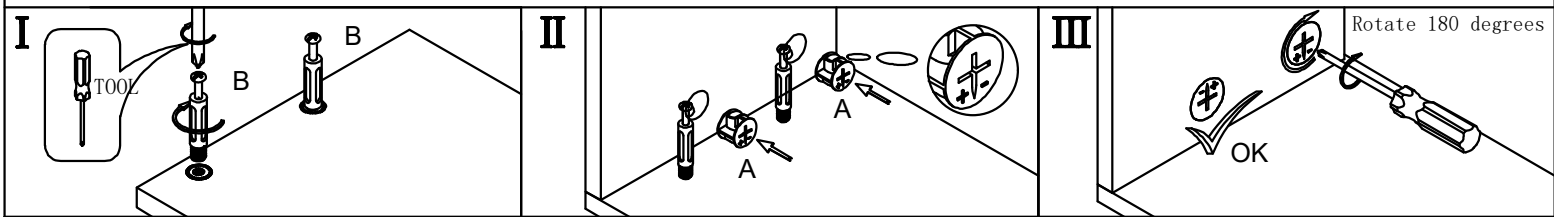





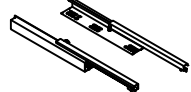




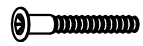




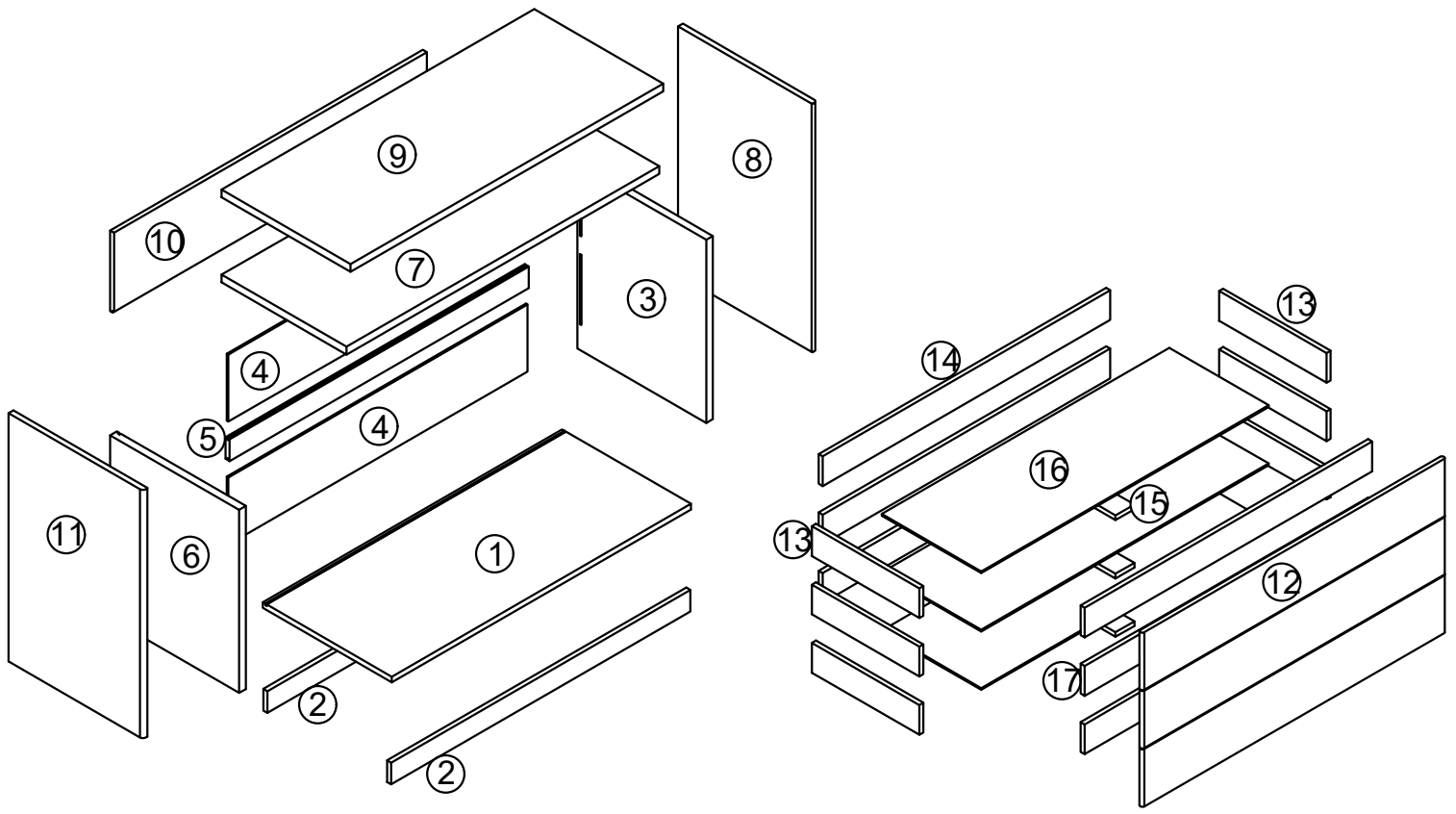
Installation Instructions

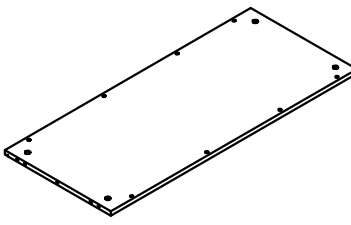
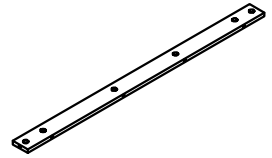
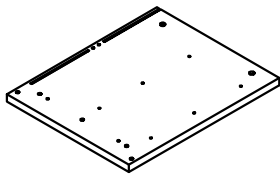
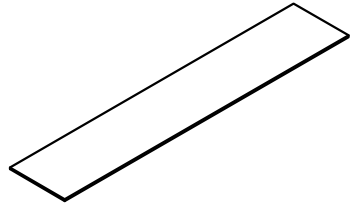
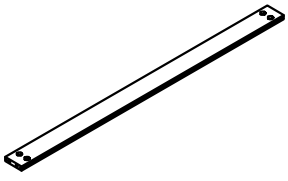
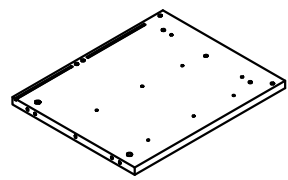
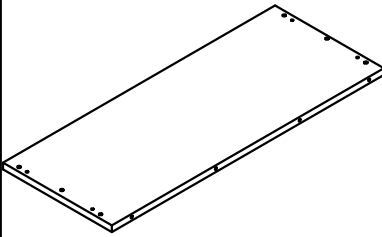
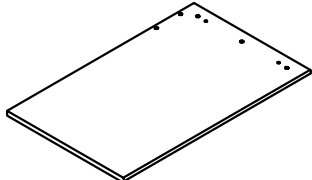
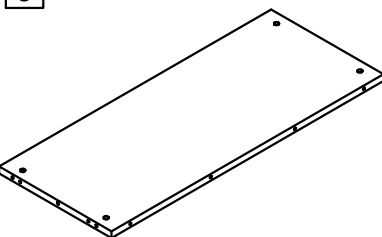
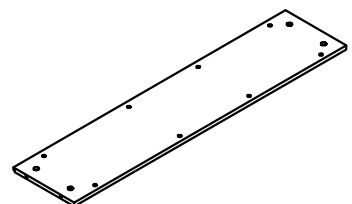
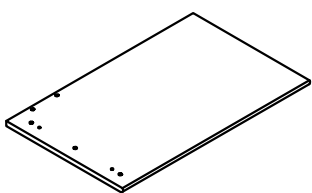
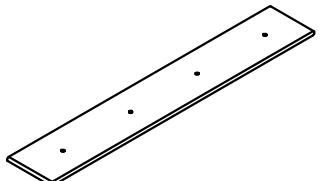


Disassembly and installation of accessories

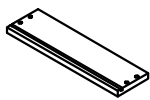


A 36PCS	B 36PCS	C 12PCS	D 38PCS	E 36PCS	F 3PCS	G 14PCS
						
Ø12*10mm	Ø6*25mm	Ø8*30mm	Ø3.5*14mm	Ø3.5*45mm	12"	12*10mm
H 36PCS	I 12PCS	J 10PCS	K 8PCS	L 12PCS	M 1PCS	N 1PCS
						
Ø9*9mm	Ø6*25mm	Ø10*5mm	Ø7*38mm	Ø6*35mm		



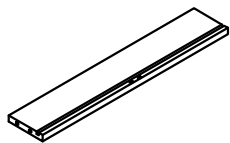
 <p>1PC</p>	 <p>2PCS</p>	 <p>1PC</p>	 <p>2PCS</p>
 <p>2PCS</p>	 <p>1PC</p>	 <p>1PC</p>	 <p>1PC</p>
 <p>2PCS</p>	 <p>1PC</p>	 <p>1PC</p>	 <p>3PCS</p>

13



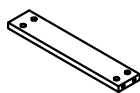
6PCS

14



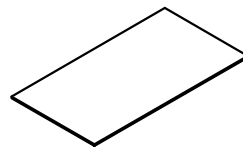
3PCS

15



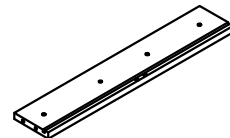
3PCS

16



3PCS

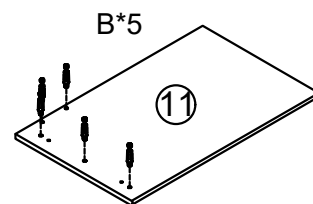
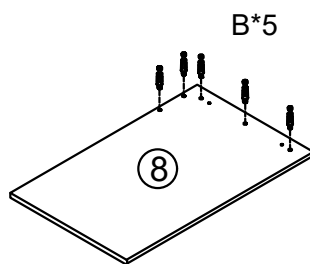
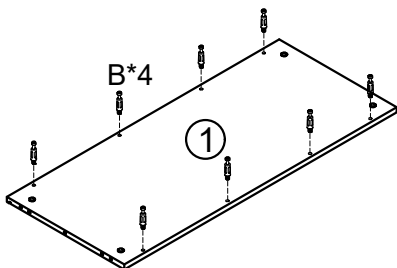
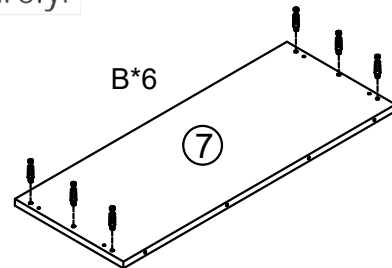
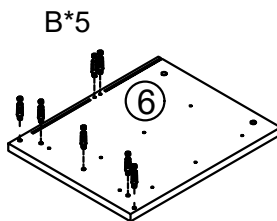
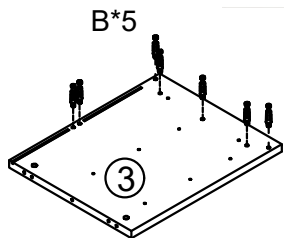
17



3PCS

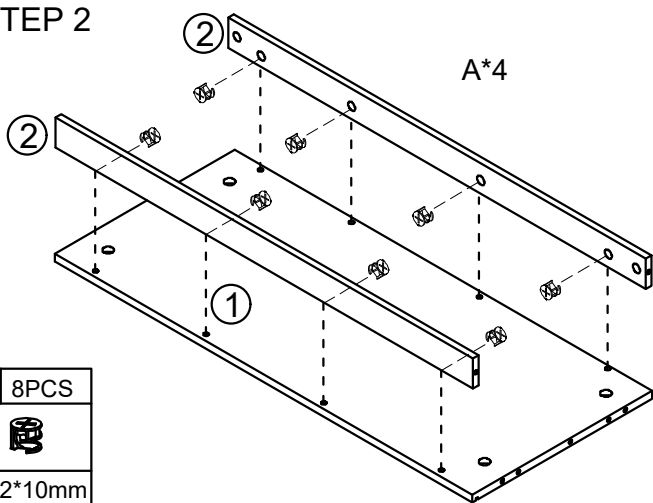
STEP 1

First, install Screw B onto the plate securely.



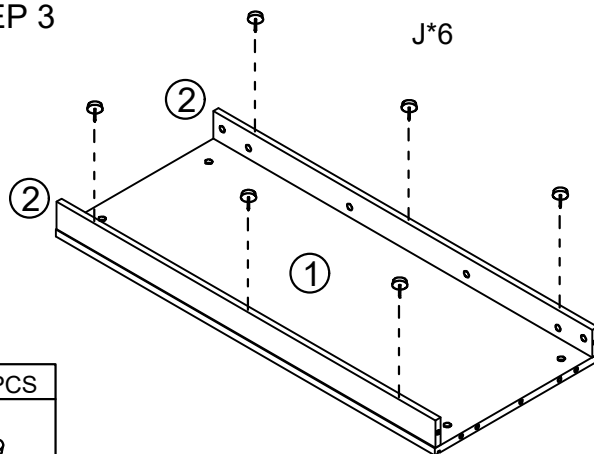
B	34PCS
Φ6*28mm	

STEP 2



A	8PCS
Φ12*10mm	

STEP 3

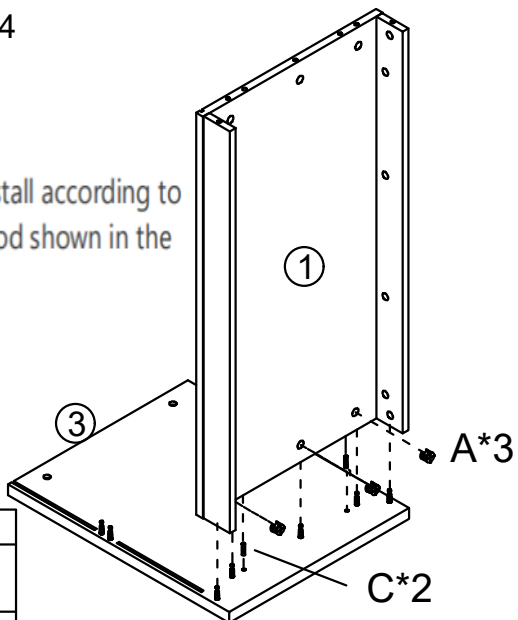


J	6PCS
Φ10*5mm	

Install Foot Pad J.

STEP 4

Please install according to the method shown in the diagram.

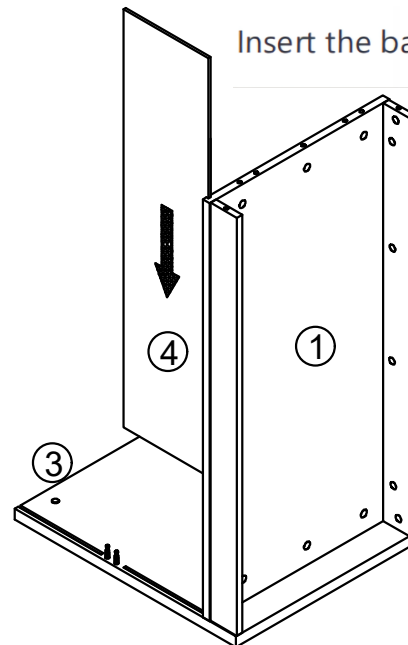


A	5PCS
Φ12*10mm	

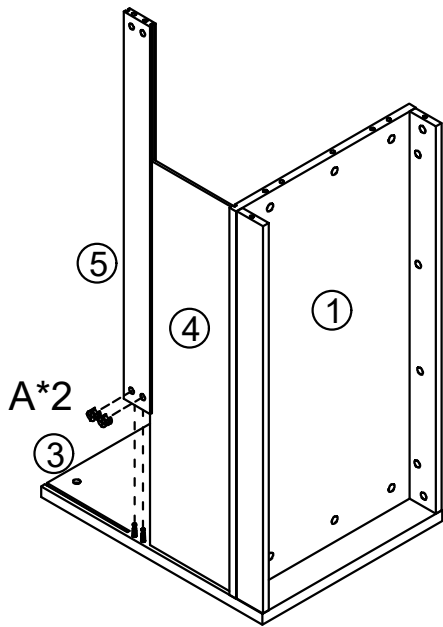
C	2PCS
Φ8*30mm	

STEP 5

Insert the back panel 4.

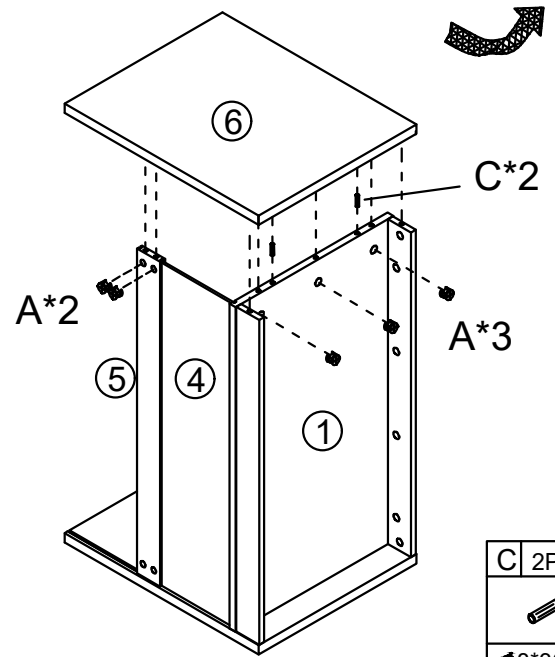


STEP 6



A	2PCS
Φ12*10mm	

STEP 7

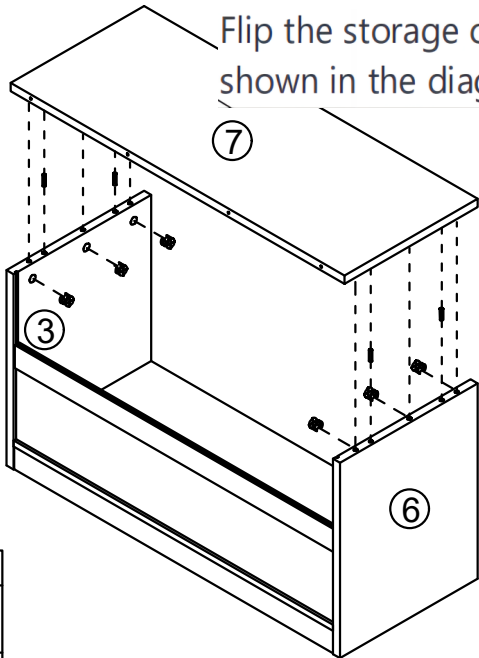


A	5PCS
Φ12*10mm	

C	2PCS
Φ8*30mm	

STEP 8

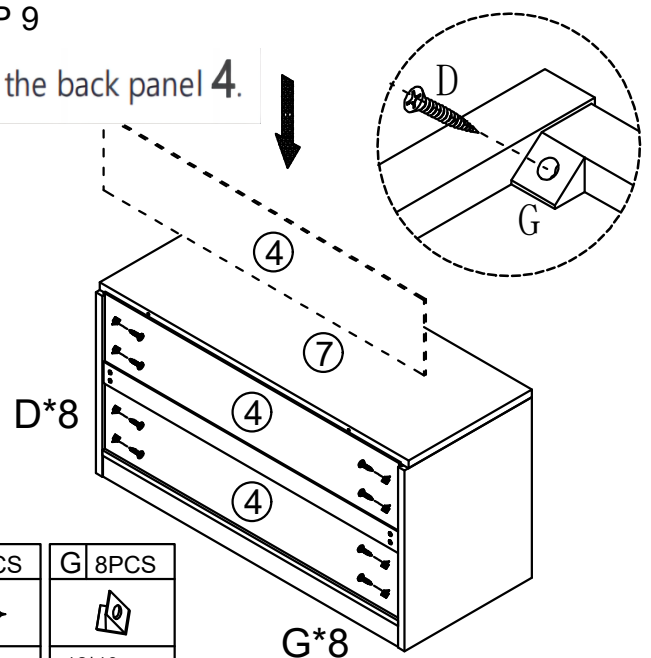
Flip the storage cabinet as shown in the diagram.



A	6PCS
Φ12*10mm	

STEP 9

Insert the back panel 4.



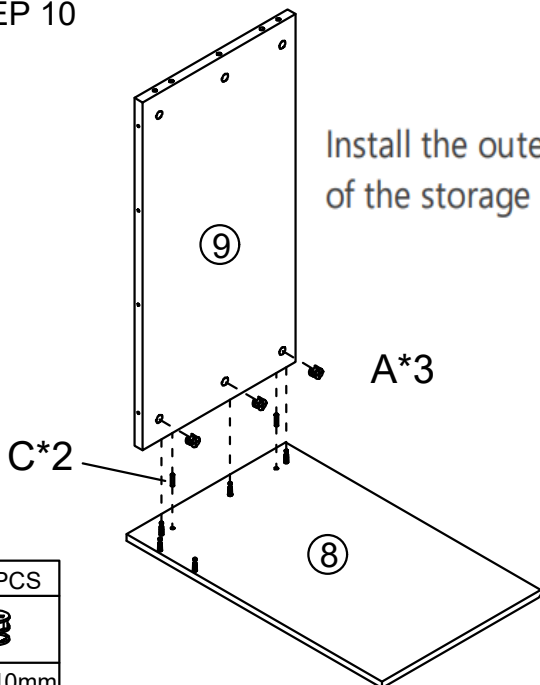
C	4PCS
Φ8*30mm	

D	8PCS
Φ3.5*14mm	

G	8PCS
12*10mm	

STEP 10

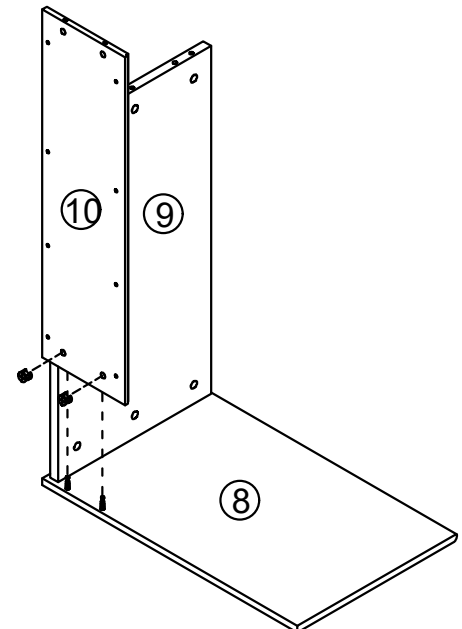
Install the outer frame of the storage cabinet.



A	3PCS
Φ12*10mm	

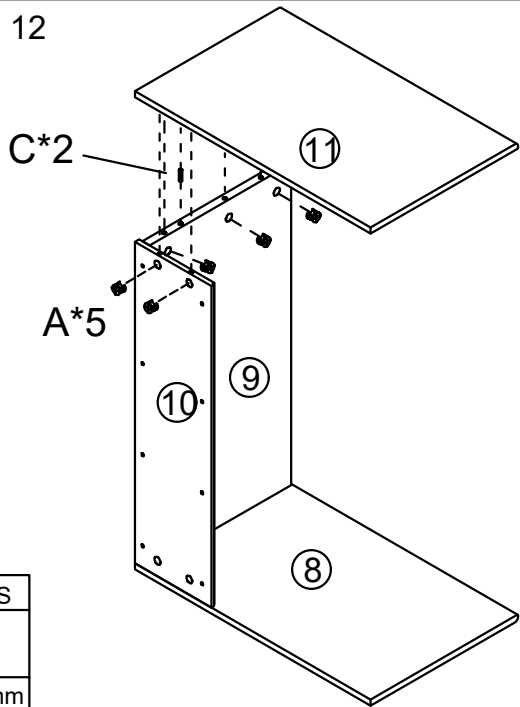
C	2PCS
Φ8*30mm	

STEP 11



A	2PCS
Φ12*10mm	

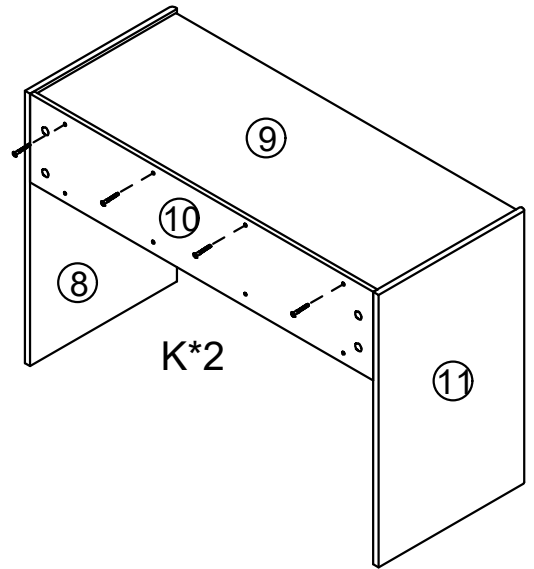
STEP 12



A	3PCS
Ø12*10mm	

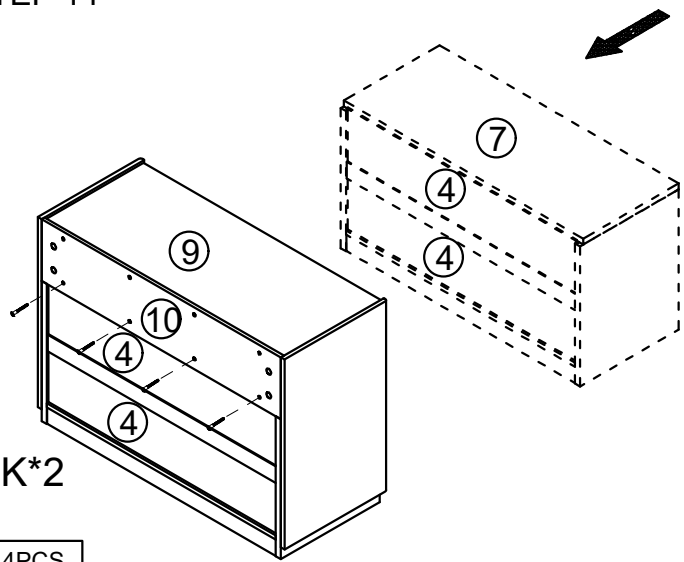
C	2PCS
Ø8*30mm	

STEP 13



K	4PCS
Ø7*38mm	

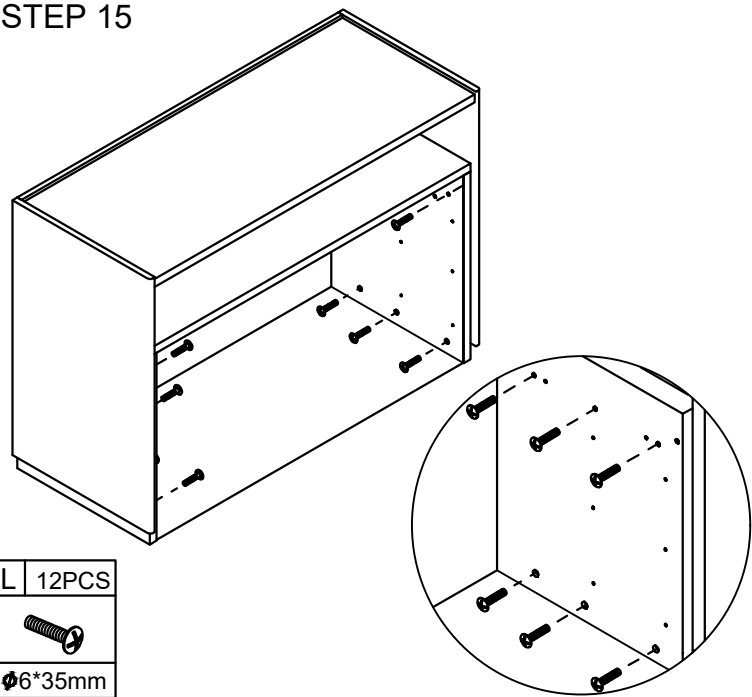
STEP 14



K	4PCS
Ø7*38mm	

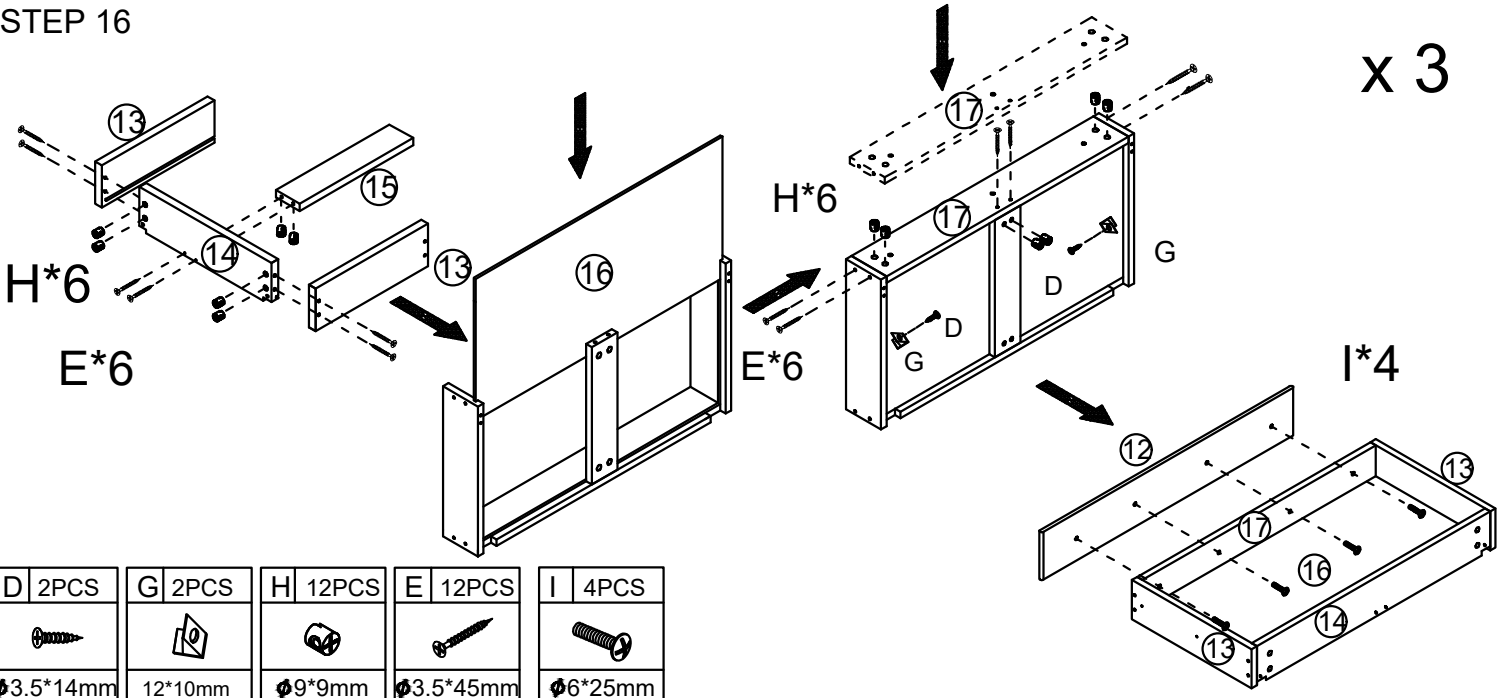
Combine the storage cabinets together.

STEP 15



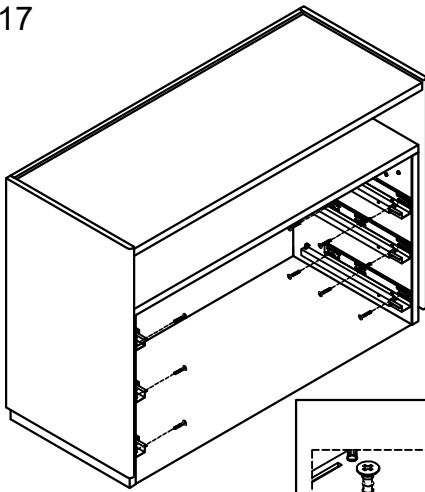
L	12PCS
Ø6*35mm	

STEP 16

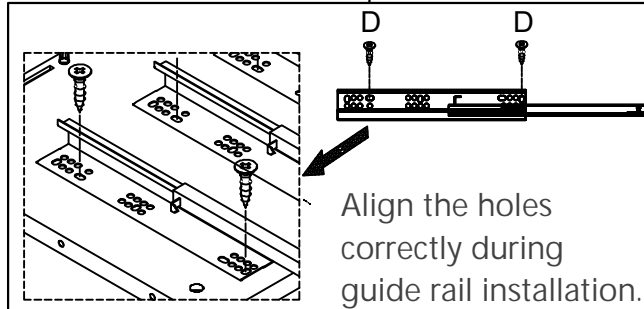
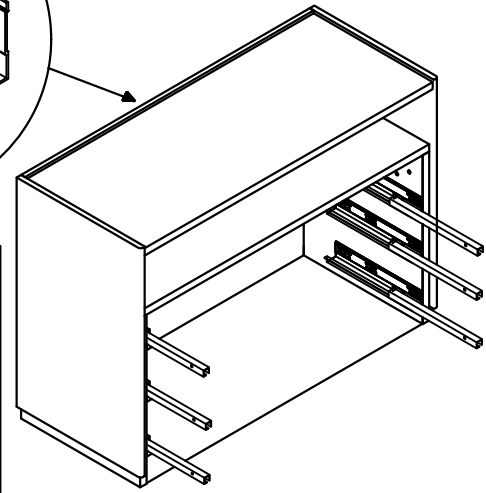
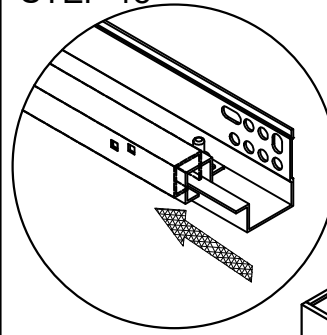


D	2PCS	G	2PCS	H	12PCS	E	12PCS	I	4PCS
Ø3.5*14mm		12*10mm		Ø9*9mm		Ø3.5*45mm		Ø6*25mm	

STEP 17



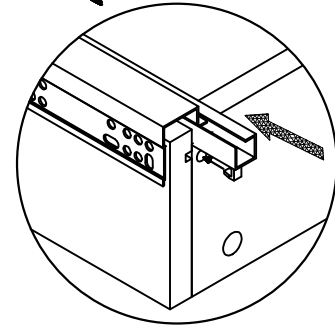
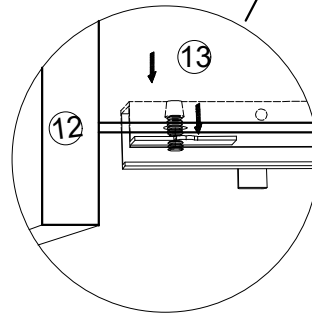
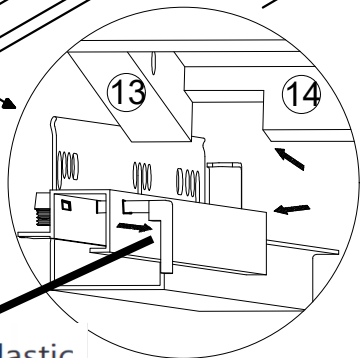
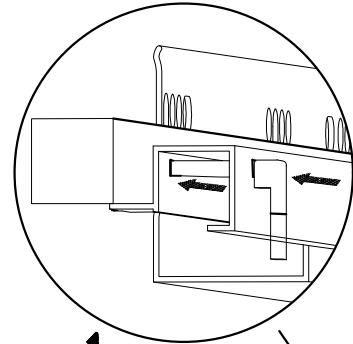
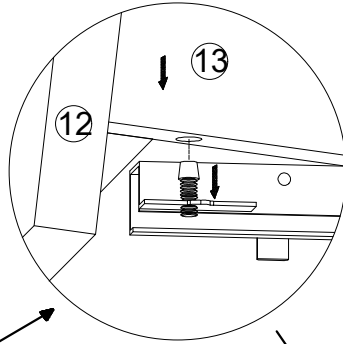
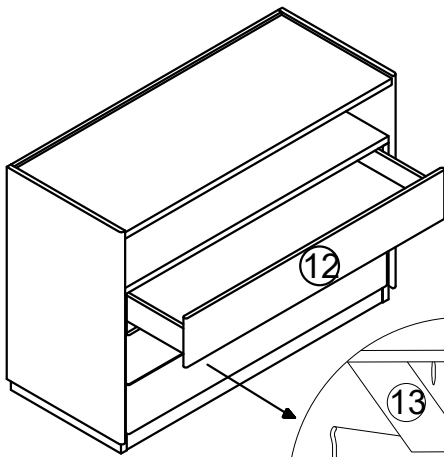
STEP 18



Align the holes correctly during guide rail installation.

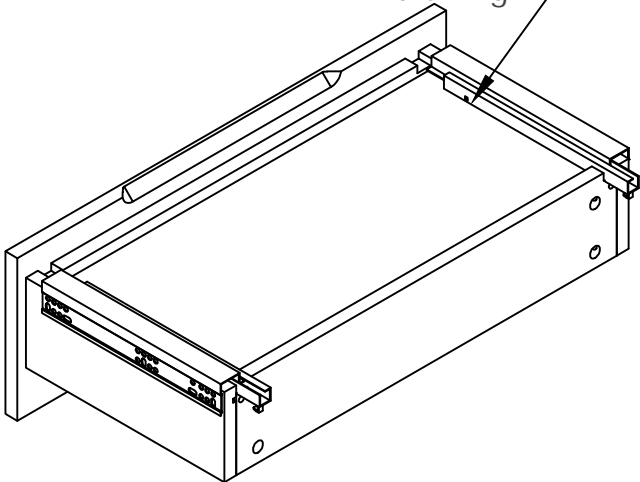
D 12PCS
Ø3.5*14mm

STEP 19

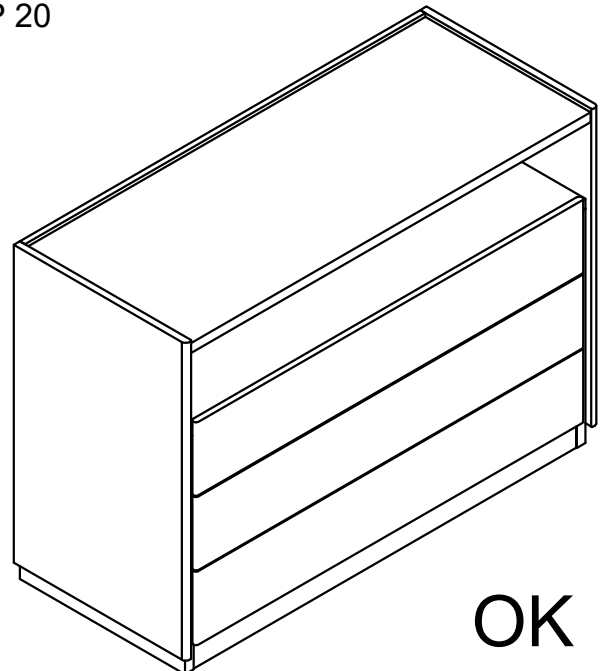


Pull out the white plastic piece and secure the drawer in place.

Guide rail installation effect drawing



STEP 20



OK