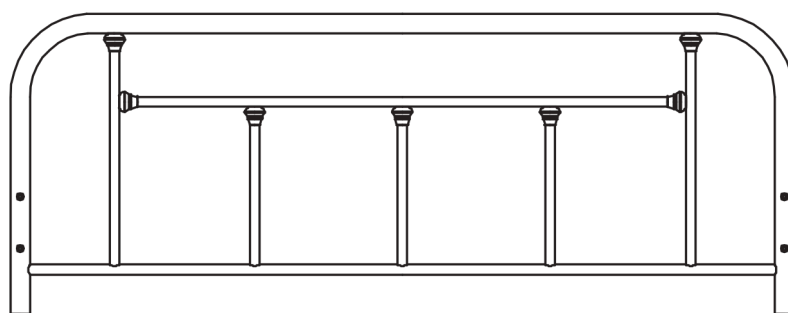
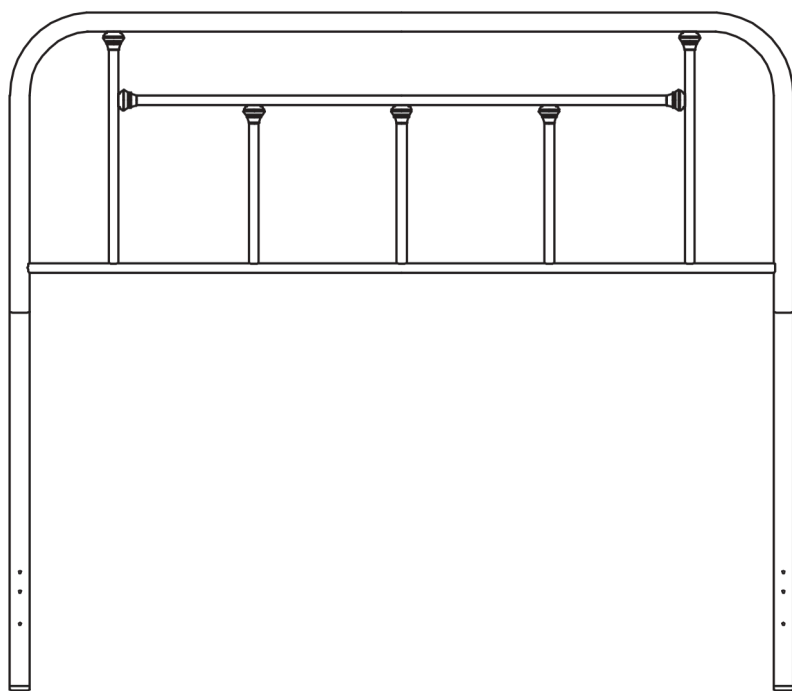


# HEADBOARD/FOOTBOARD

## ASSEMBLY INSTRUCTIONS



# HEADBOARD/FOOTBOARD

## BEFORE YOU BEGIN

Save all packaging materials until product is fully assembled. Hardware and small pieces may not be seen and could be accidentally discarded with packaging materials.

Follow the instructions carefully as deviation from them may void your warranty and present a possible safety risk.

It is recommended that assembly is done on a soft surface like carpet to avoid damage.

## CARE INSTRUCTIONS






Simply wipe with a damp cloth.

## ENJOY YOUR NEW FURNITURE!


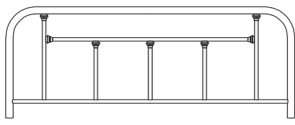
We take pride in hand crafting each product for our customers and strive to make your experience easy and enjoyable. We hope you enjoy your new piece of furniture!

# PARTS LIST

## INCLUDED IN HARDWARE BAG

<p>1 x 4</p>  <p>2 3/4" COUNTERSUNK ALLEN HEAD SCREW</p>	<p>2 x 8</p>  <p>25/8" OD FLAT WASHER</p>	<p>3 x 4</p>  <p>1/2" FLAT ALLEN HEAD SCREW</p>	<p>4 x 4</p>  <p>1/4" 20 HEX NUT</p>	<p>6 x 1</p>  <p>ALLEN WRENCH</p>
---	--	--	---	--

## INCLUDED IN CARTON

<p>7 x 2</p>  <p>LEG EXTENSION</p>	<p>8 x 1</p>  <p>HEADBOARD PANEL</p>
---	---

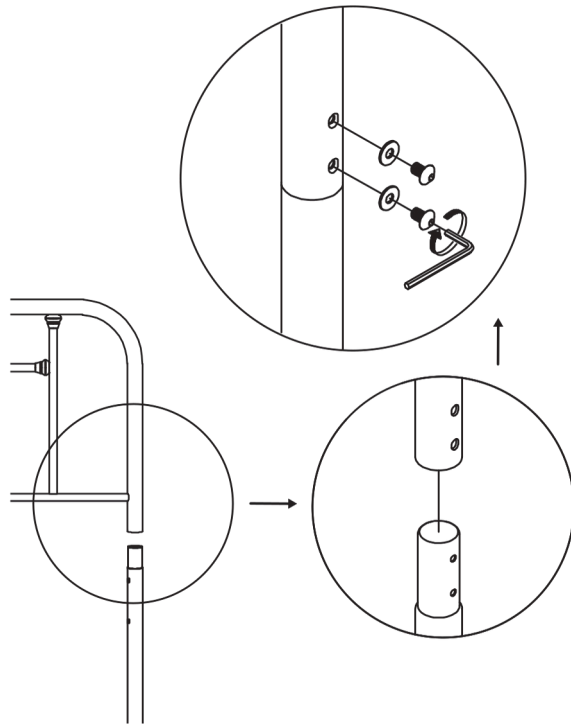
### **BED FRAME/FOUNDATION IS NOT INCLUDED**

SAVE ALL PACKAGING MATERIALS UNTIL PRODUCT IS FULLY ASSEMBLED. HARDWARE AND SMALL PIECES MAY NOT BE SEEN AND COULD BE ACCIDENTALLY DISCARDED WITH PACKAGING MATERIALS.

# ASSEMBLY INSTRUCTIONS

## STEP 1

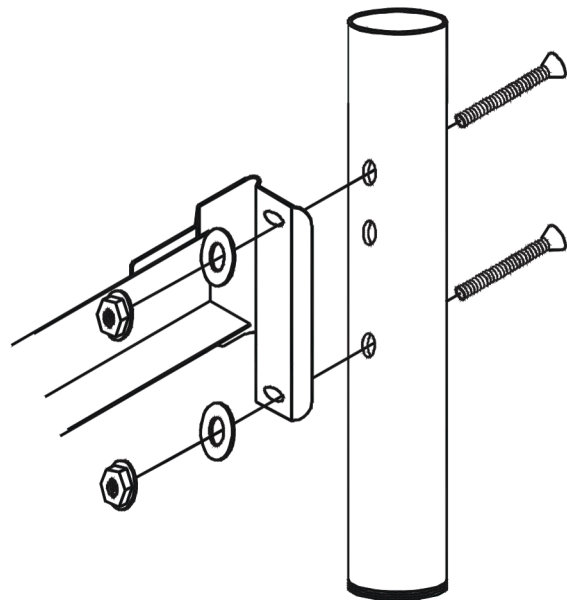
Insert each leg extension (7) into the headboard panel (8), and align the holes of each part. Place a flat metal washer (2) on each flat allen head screw (3). Insert screws into each hole of the headboard panel (8) and leg extension. Tighten all flat allen head screws (3) securely using the allen wrench (6).



## STEP 2

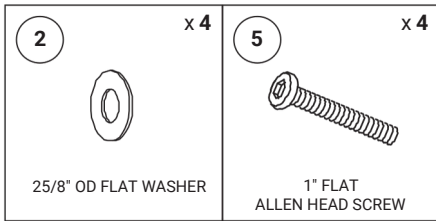
Place assembled headboard (7 & 8) and frame (not included) in desired location in room. Place countersunk allen head screws (1) through the two holes located in leg extension (7). Align frame bracket over screws. Place a flat washer (2) and nut (4) on each screw, and hand-tighten screws. **DO NOT TIGHTEN** screws all the way.

Repeat on other side of headboard (7 & 8). Tighten all screws securely using the allen wrench (6).

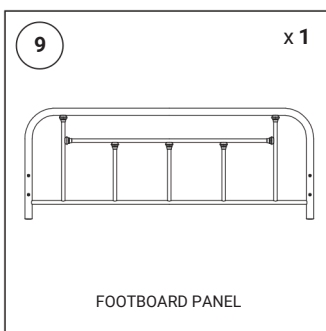


# PARTS LIST

## INCLUDED IN HARDWARE BAG



## INCLUDED IN CARTON



**BED FRAME/FOUNDATION IS NOT INCLUDED**

SAVE ALL PACKAGING MATERIALS UNTIL PRODUCT IS FULLY ASSEMBLED. HARDWARE AND SMALL PIECES MAY NOT BE SEEN AND COULD BE ACCIDENTALLY DISCARDED WITH PACKAGING MATERIALS.

# ASSEMBLY INSTRUCTIONS

## STEP 4

Place footboard panel (9) against the frame (not included) with the holes facing the frame brackets. Place flat washer (2) on each screw (5), and hand-tighten screws. **DO NOT TIGHTEN** screws all the way.

Repeat on other side of footboard (9). Tighten all screws securely using the allen wrench (6).

