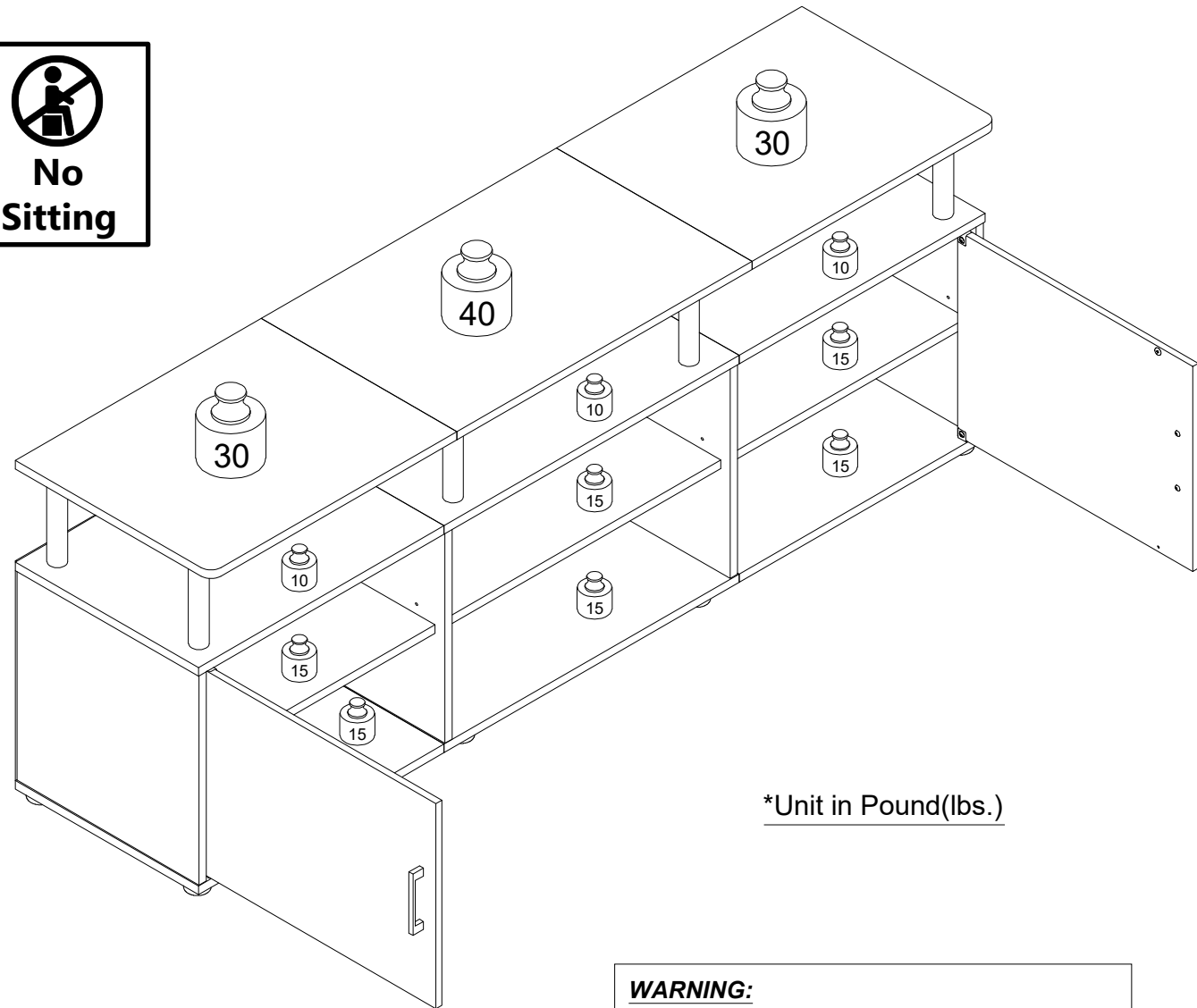


Recommended Maximum Weight



*Unit in Pound(lbs.)

WARNING:

- >This unit has been designed to support the maximum loads shown. Exceeding these load limits could cause sagging, instability, product collapse, and/or serious injury.
- >DO NOT allow children to climb on unit.
- > Put heavier items on lower shelves.

Fits Space, Fits Budget

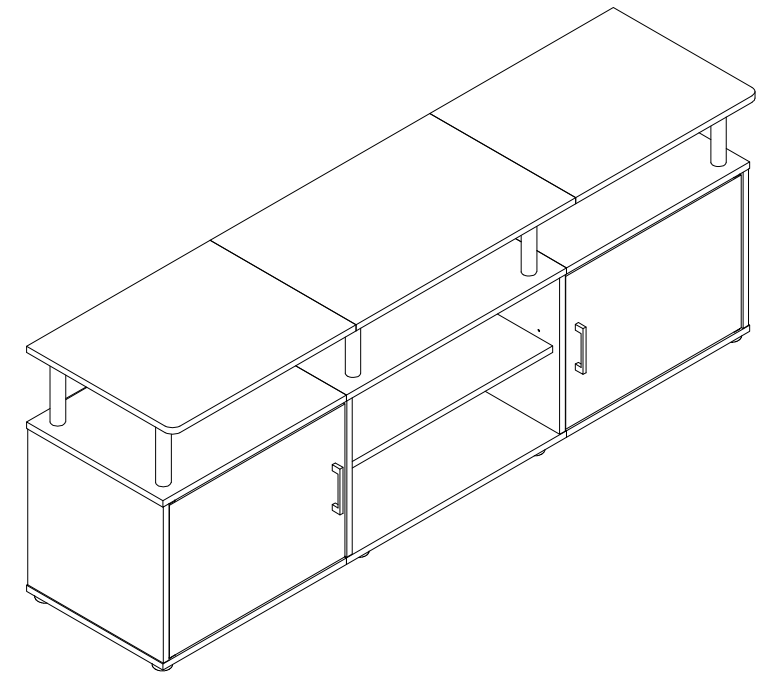
Approx. 1 hour

Recomm. 2 Person

Tools Required

Assembly Instruction




TV Stand



Customer Support

NEED HELP? For replacement requests or product inquiries, please contact our Customer Service Team. Thank you for selecting this product.

HARDWARE & PARTS LIST

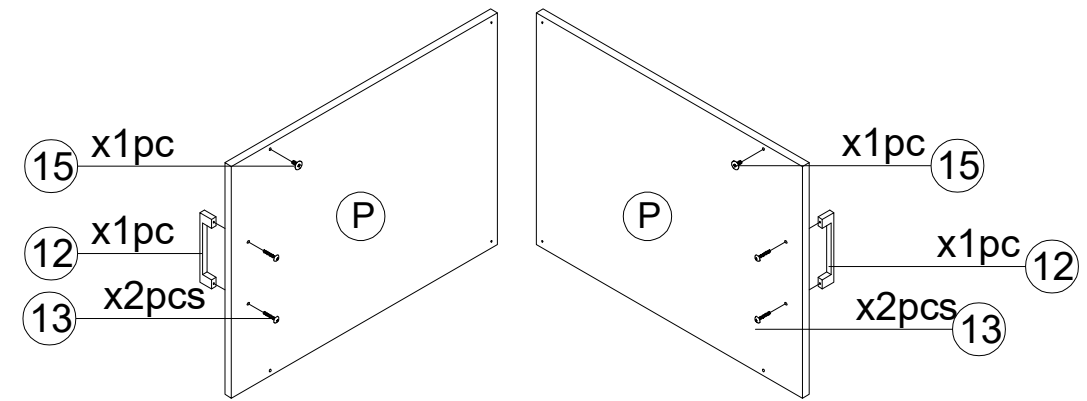
NO	HARDWARE LIST	QTY
1	MINIFIX HOUSING 	12pcs
2	MINIFIX BOLT 34mm 	8pcs
3	BARREL NUT 	4pcs
4	MINIFIX BOLT 40mm 	4pcs
5	WOOD DOWEL 40mm 	12pcs
6	WOOD DOWEL 30mm 	16pcs
7	C/B SCREW 38mm 	8pcs
8	TRUSS HEAD SCREW 	64pcs
9	METAL PLATE 	8pcs
10	POWER PIN 	28pcs
11	HINGE KIT SET 	1set
12	U SHAPE HANDLE 	2pcs
13	HANDLE SCREW 	4pcs
14	MAGNET 	2pcs
15	FLAT HEAD SCREW 	2pcs
16	SHELF SUPPORT 	12pcs
17	SHORT POLE 	8pcs
18	MINI ROUND LEG 	8pcs
19	PVC PLUG LEG 	8pcs

NO	PART LIST	QTY
A	LEFT TOP PANEL	1pc
B	RIGHT TOP PANEL	1pc
C	CENTER TOP PANEL	1pc
D	LEFT SHELF PANEL	1pc
E	RIGHT SHELF PANEL	1pc
F	CENTER SHELF PANEL	1pc
G	LEFT BOTTOM PANEL	1pc
H	RIGHT BOTTOM PANEL	1pc
I	CENTER BOTTOM PANEL	1pc
J	LEFT SIDE PANEL	1pc
K	RIGHT SIDE PANEL	1pc
L	LEFT CENTER SIDE PANEL	1pc
M	RIGHT CENTER SIDE PANEL	1pc
N	L/R SHELF PANEL	2pcs
O	SHELF PANEL	1pc
P	L/R DOOR	2pcs
Q	BACK PANEL	2pcs

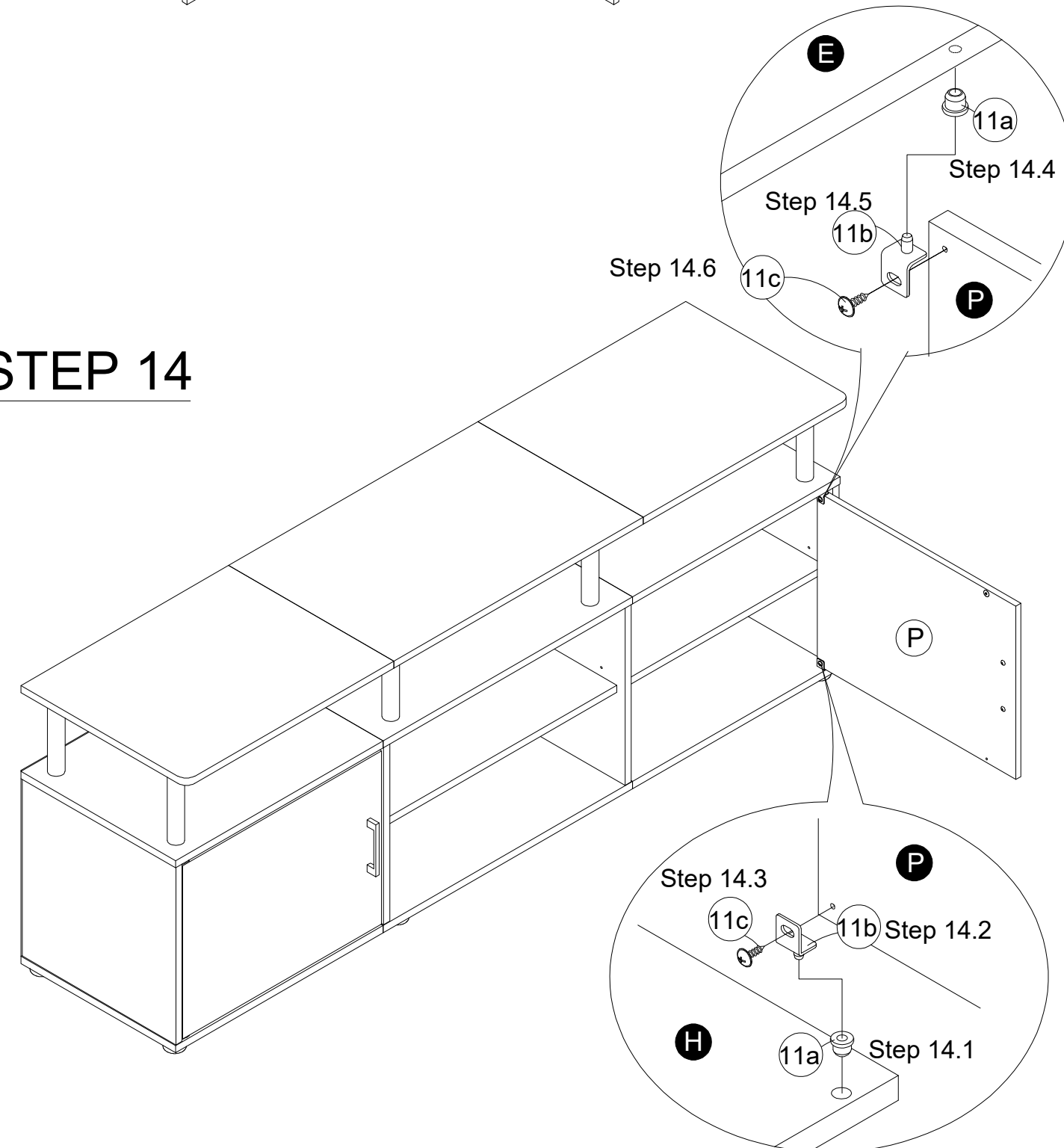
USEFUL HINTS BEFORE YOU START:

1. Read each step carefully before starting.
2. It is important that each step is performed in correct order to avoid difficulties.
3. Identify, sort and count the parts before assembly.
4. Assemble your furniture on packaging cardboard to prevent scratch or damage.
5. Clean the product with mild cleanser using soft damped cloth. Do not use harsh or abrasive cleanser.
6. Using incompatible hardware might cause damage to product.

STEP 13



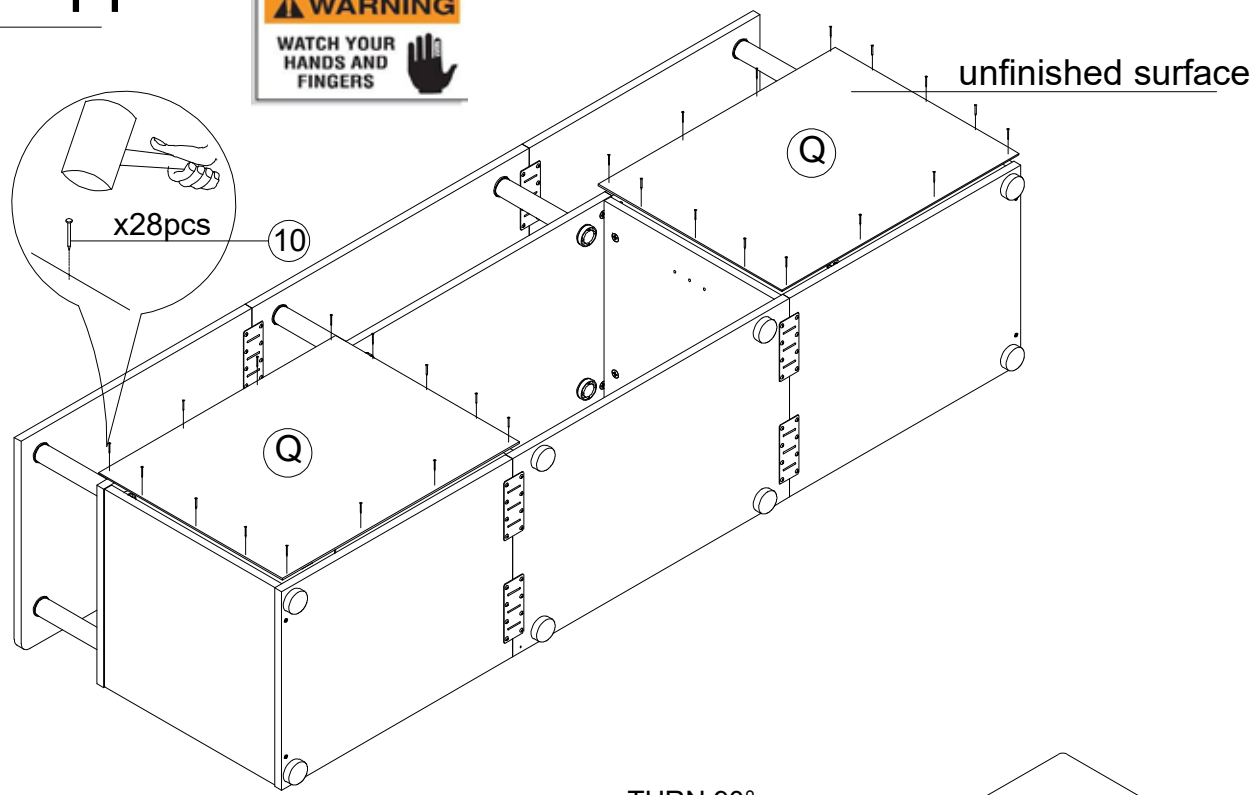
STEP 14



STEP 11



unfinished surface

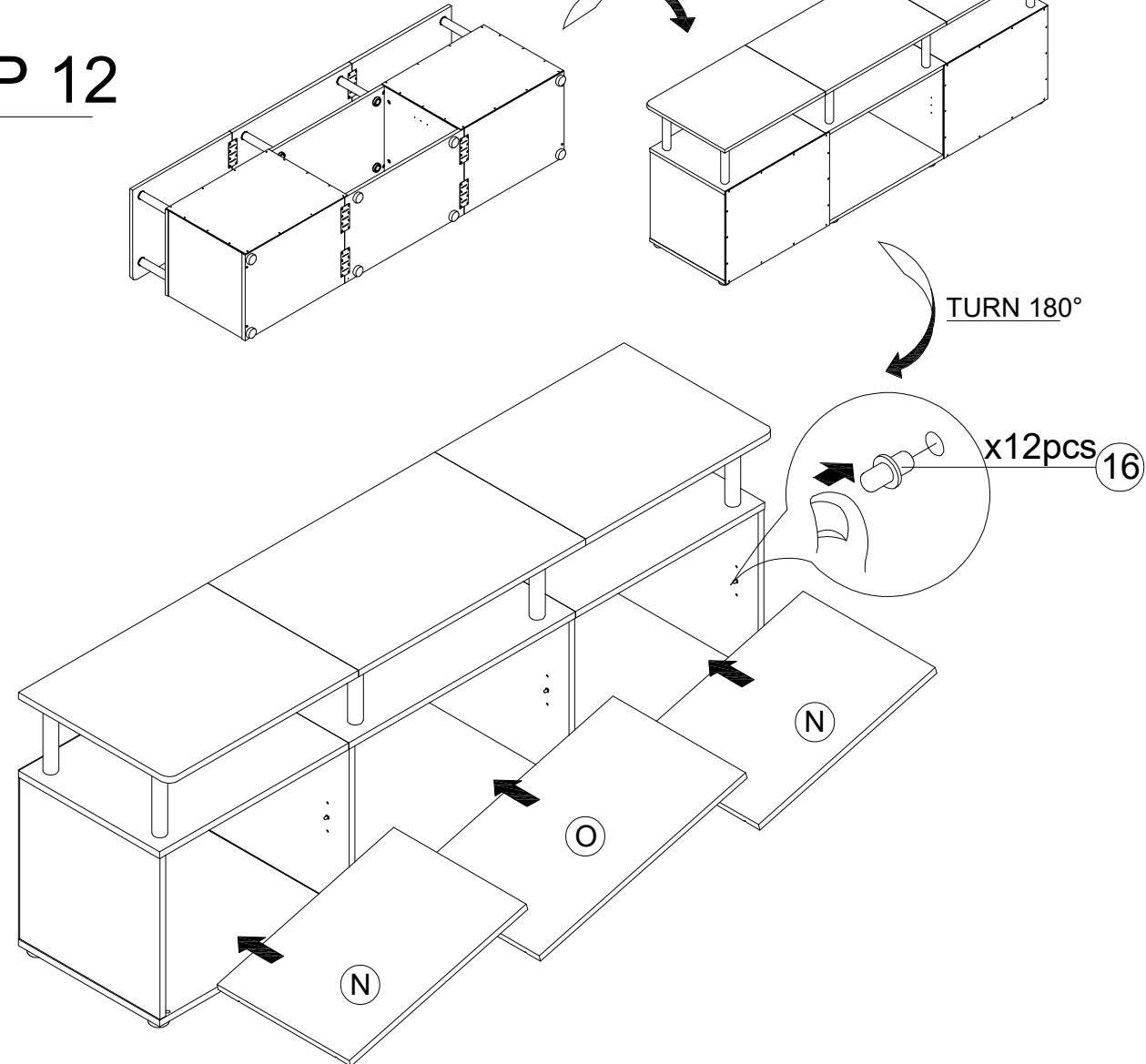


STEP 12

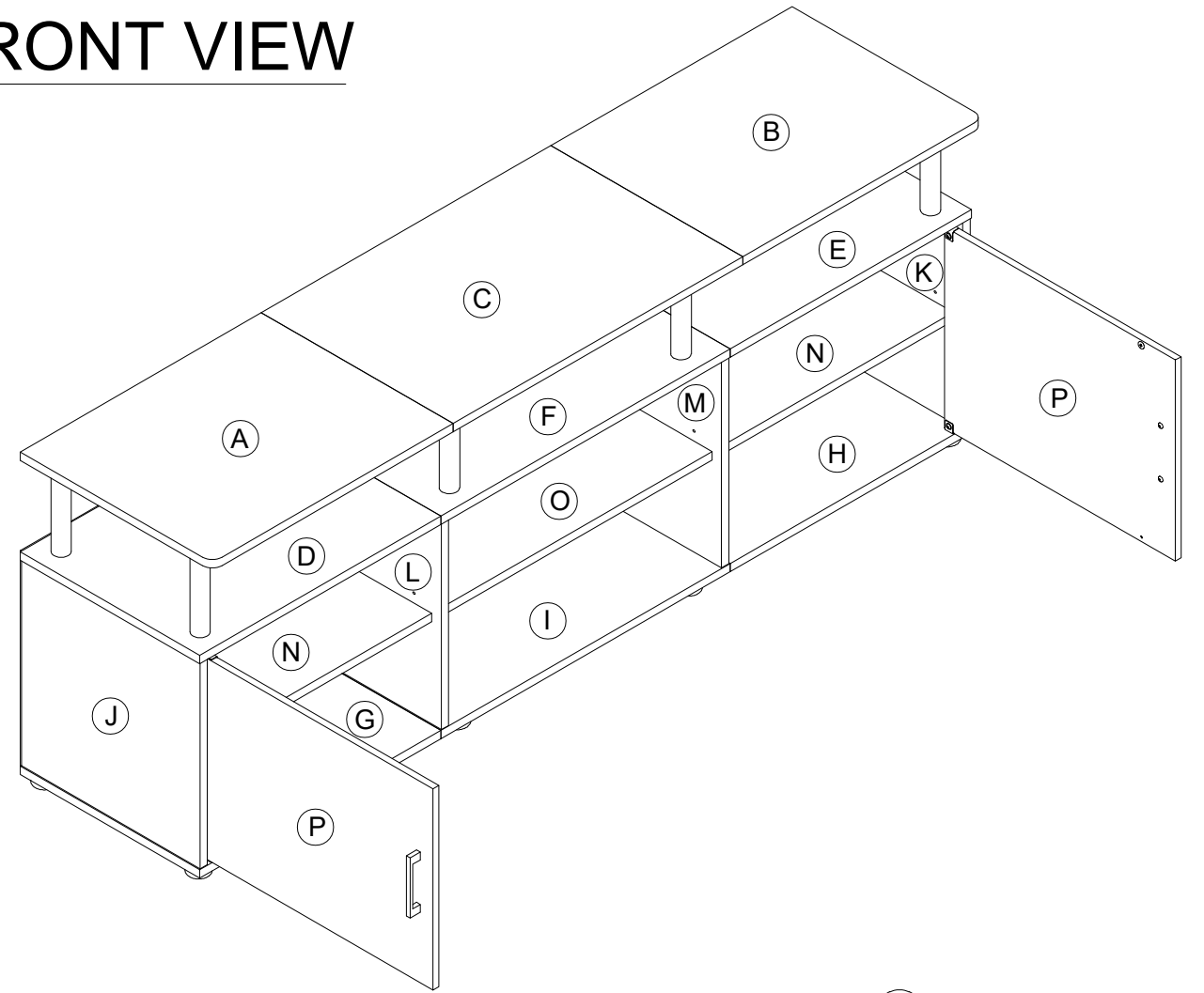
TURN 90°

TURN 180°

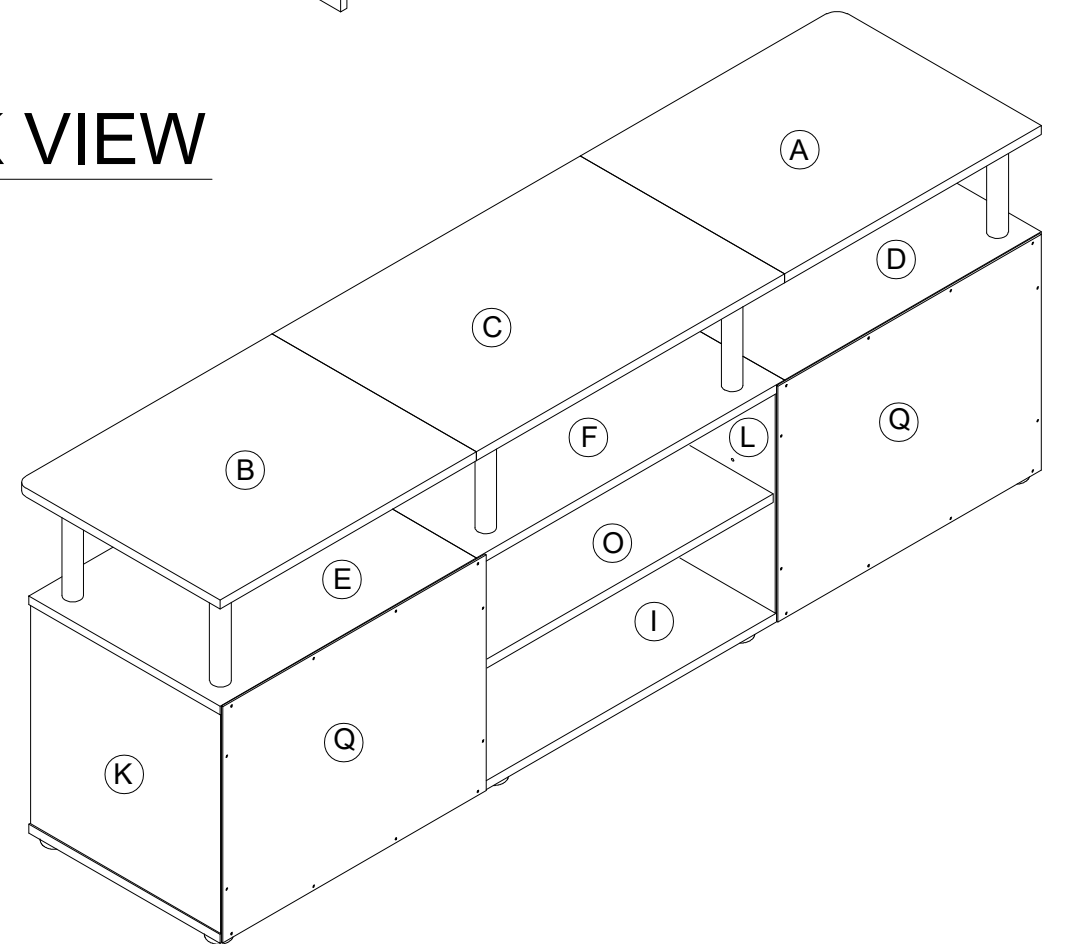
x12pcs 16



FRONT VIEW



BACK VIEW

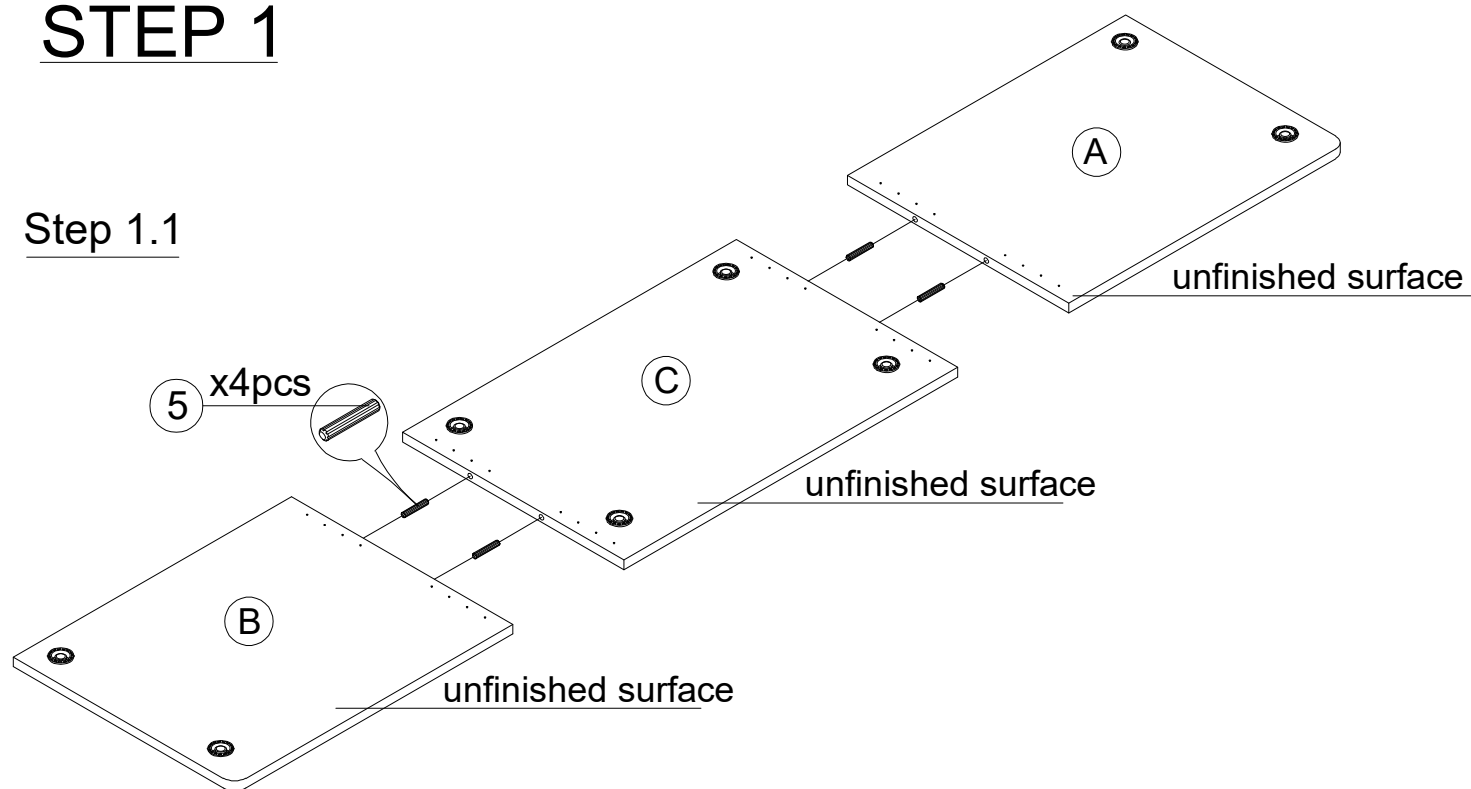


ASSEMBLY INSTRUCTIONS

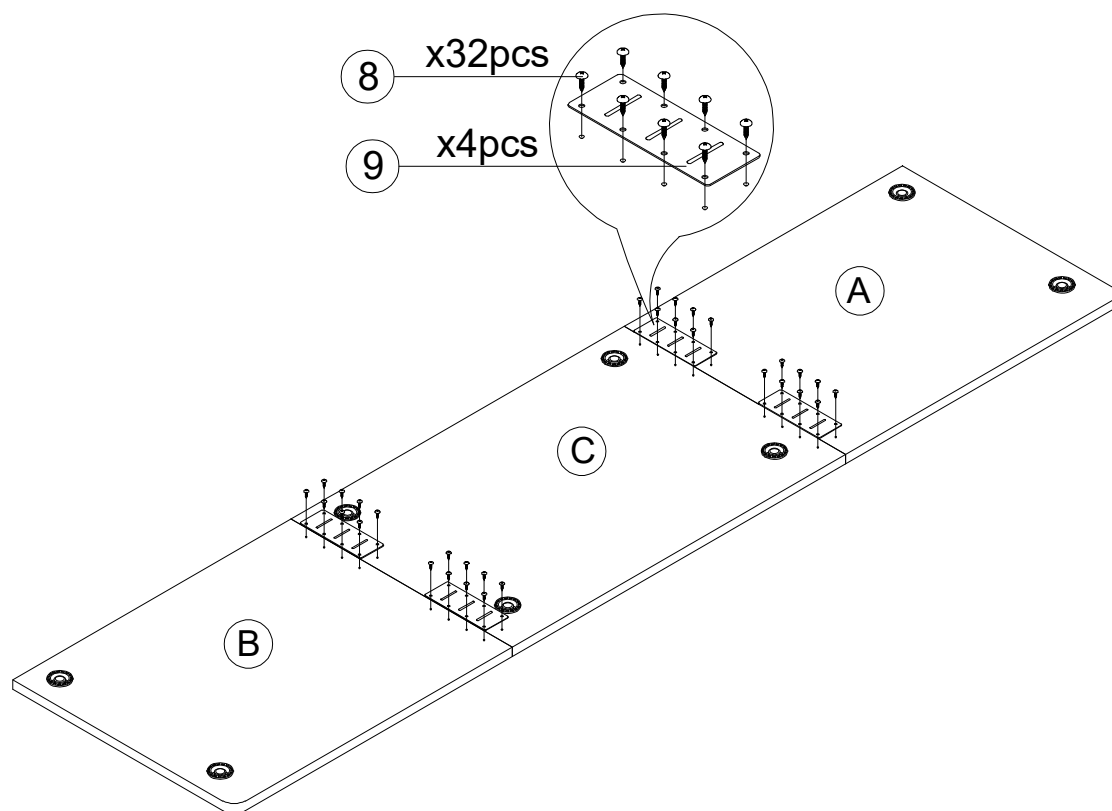
BEFORE YOU BEGIN, PLEASE READ ASSEMBLY INSTRUCTION CAREFULLY, FOLLOW THEM STEP BY STEP.

STEP 1

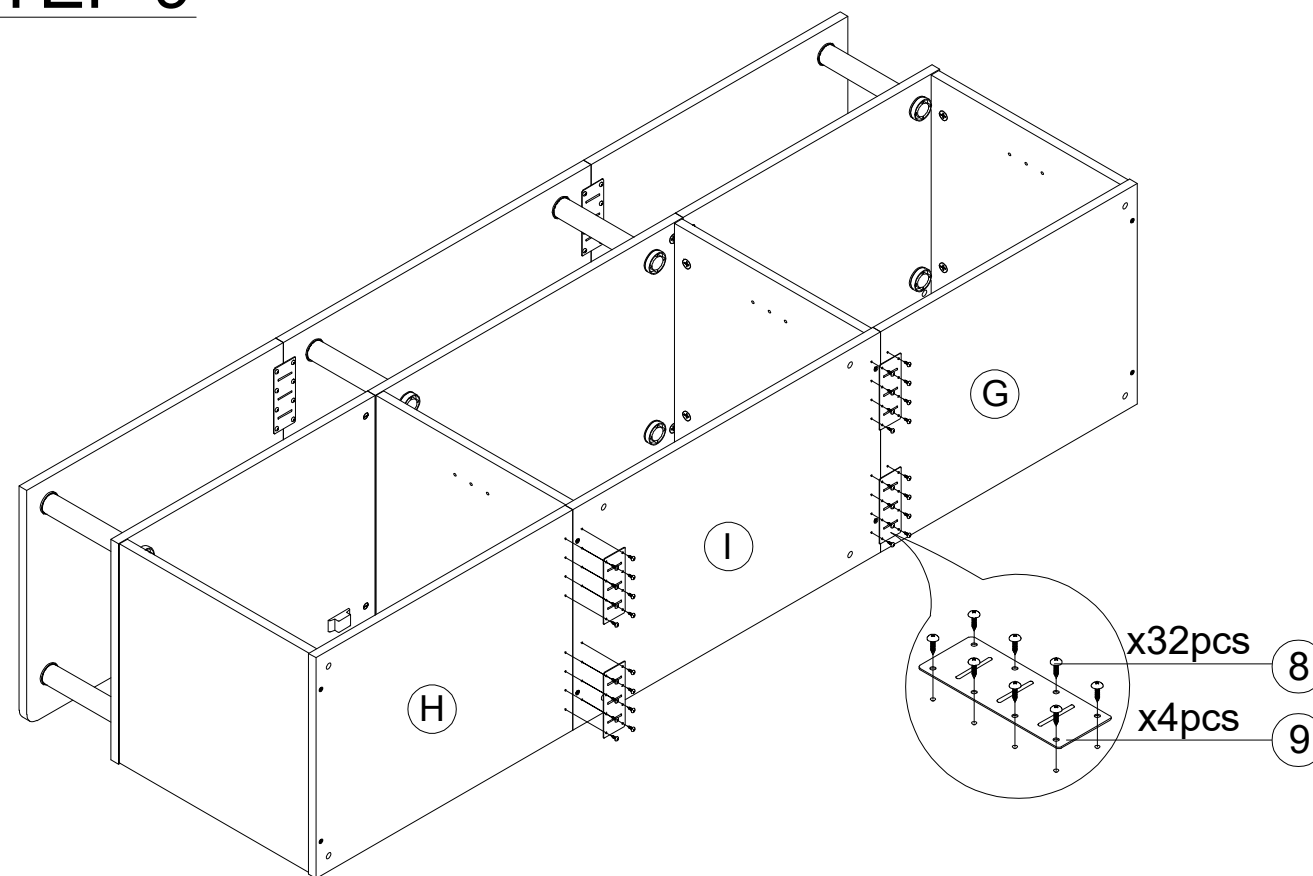
Step 1.1



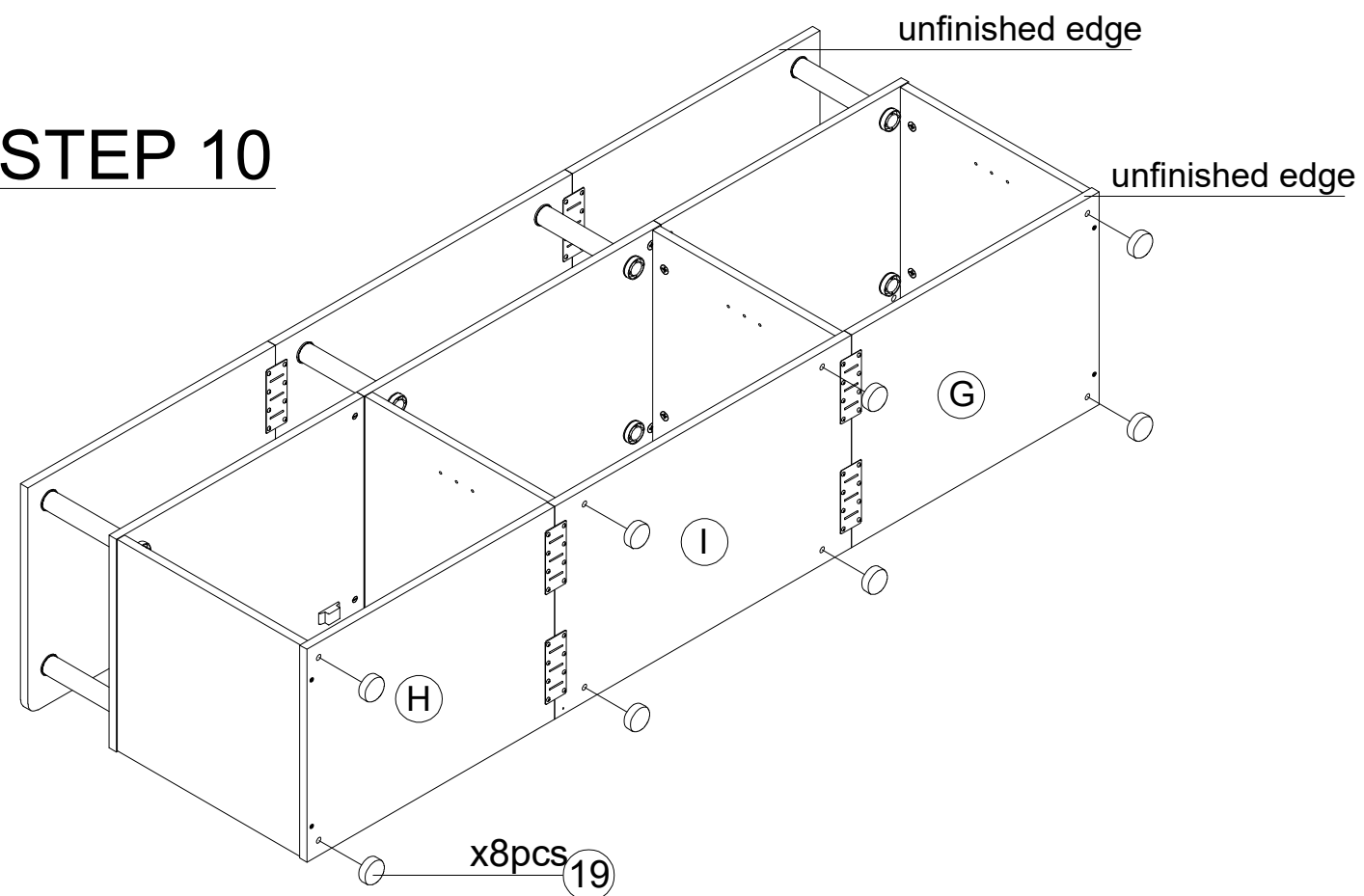
Step 1.2



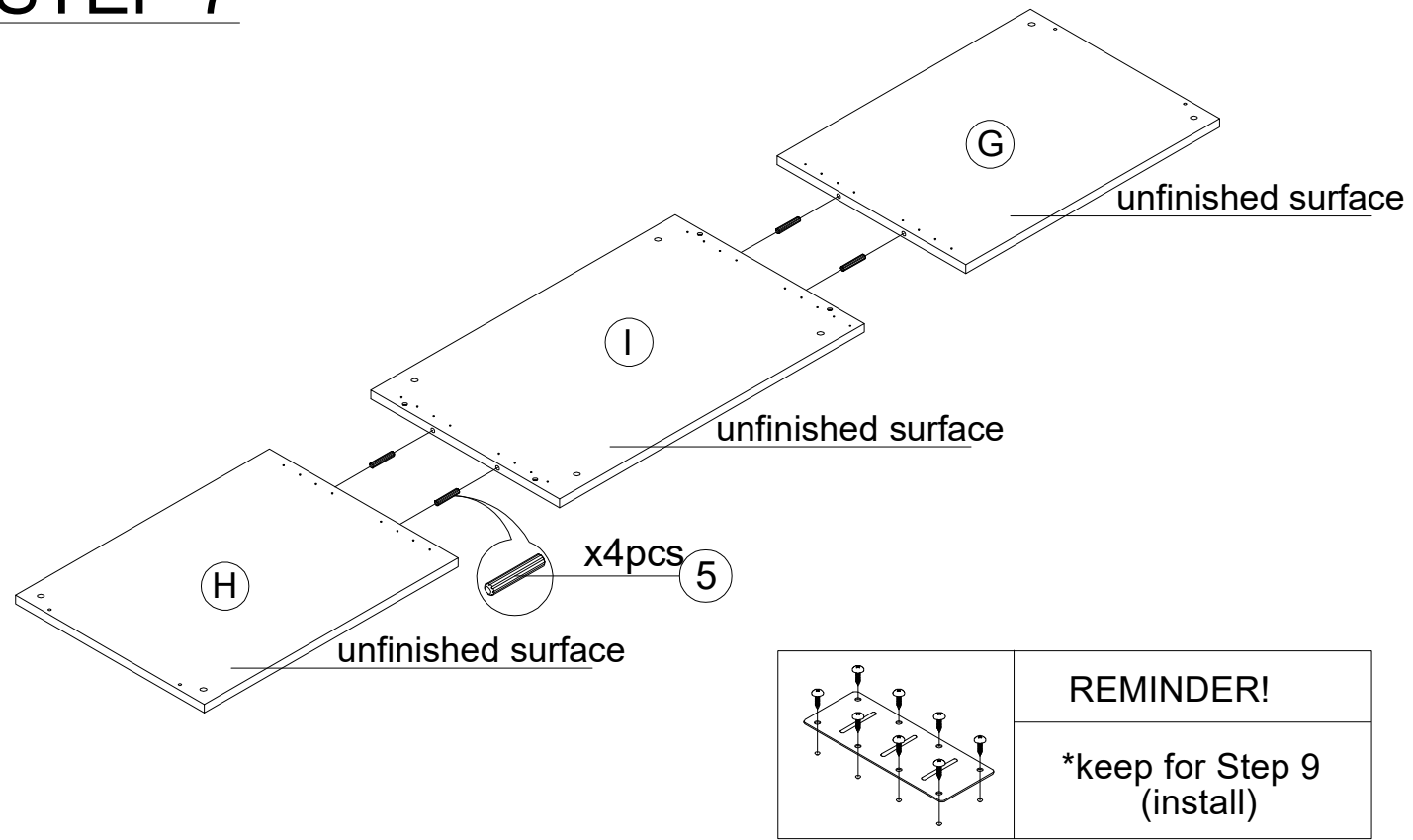
STEP 9



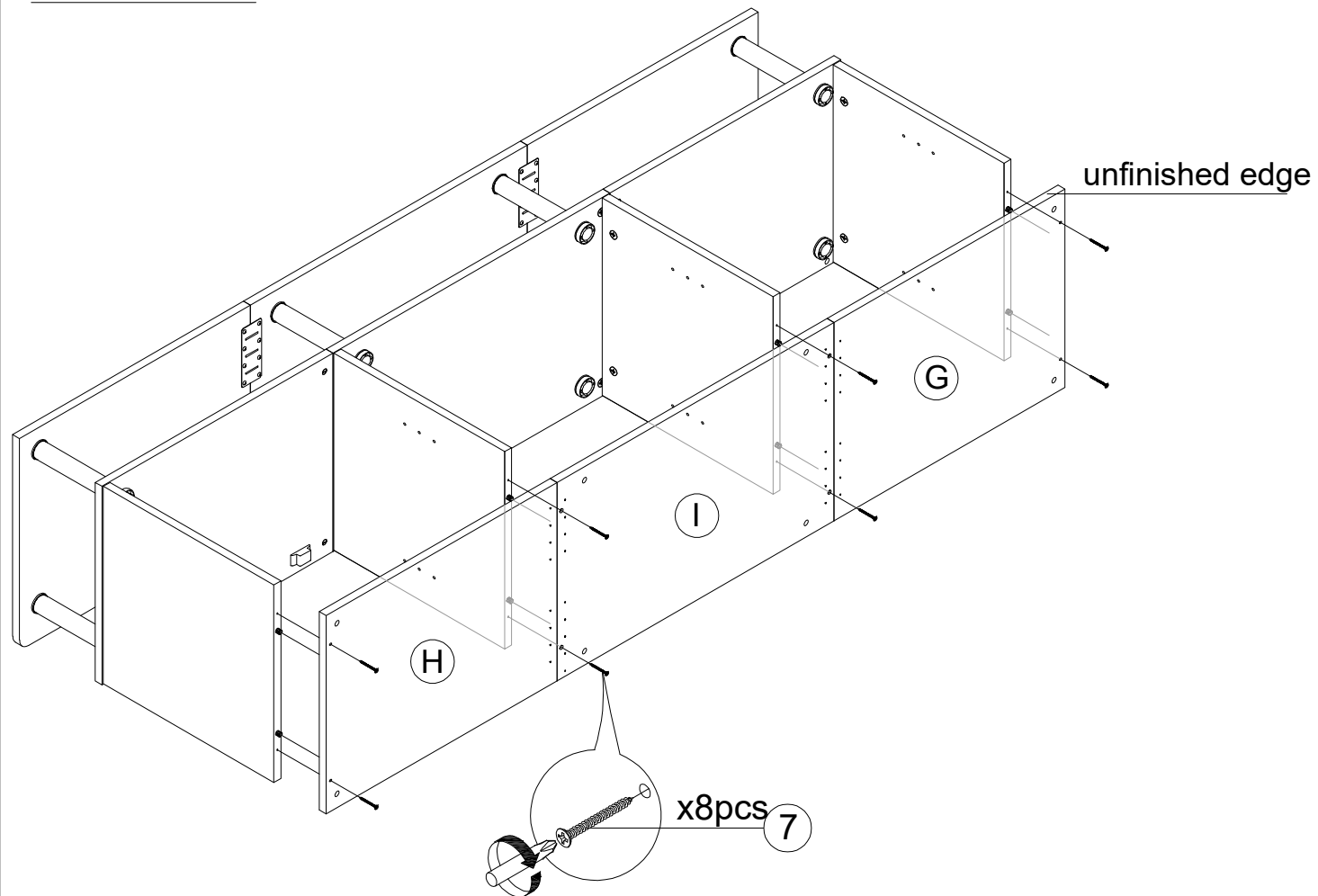
STEP 10



STEP 7

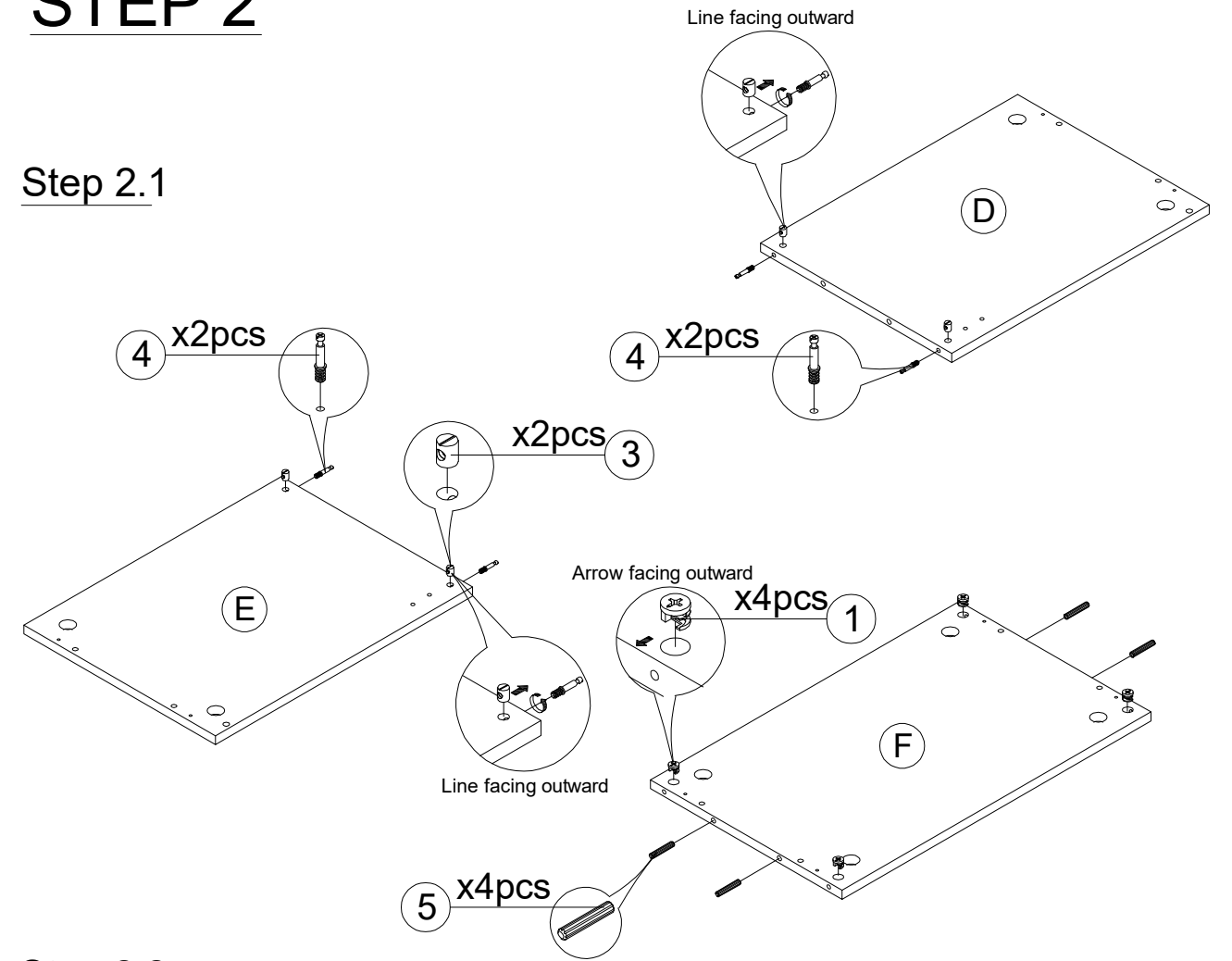


STEP 8



STEP 2

Step 2.1



Step 2.2

