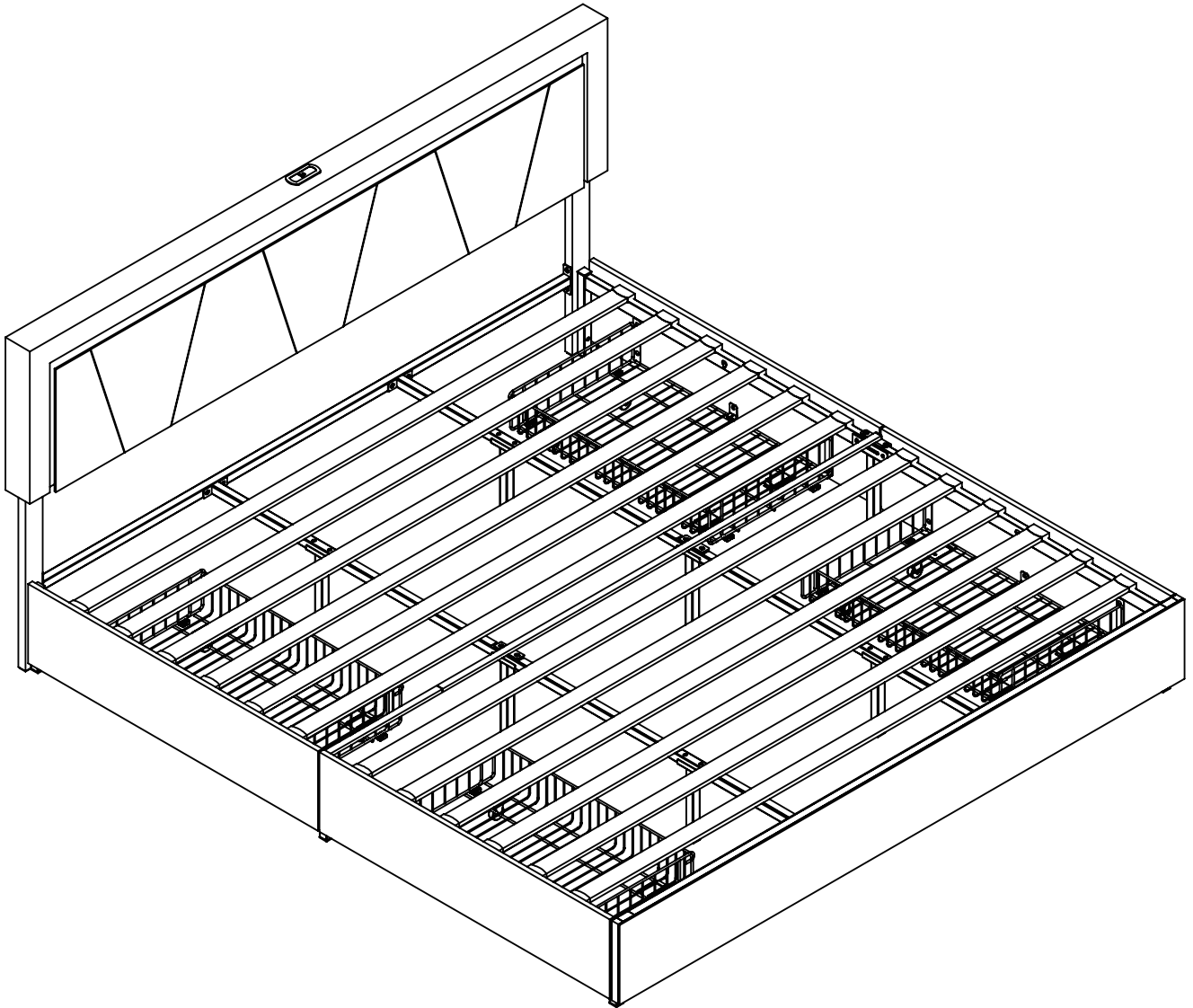


ASSEMBLY INSTRUCTIONS

DEAR CUSTOMER,

Caution:

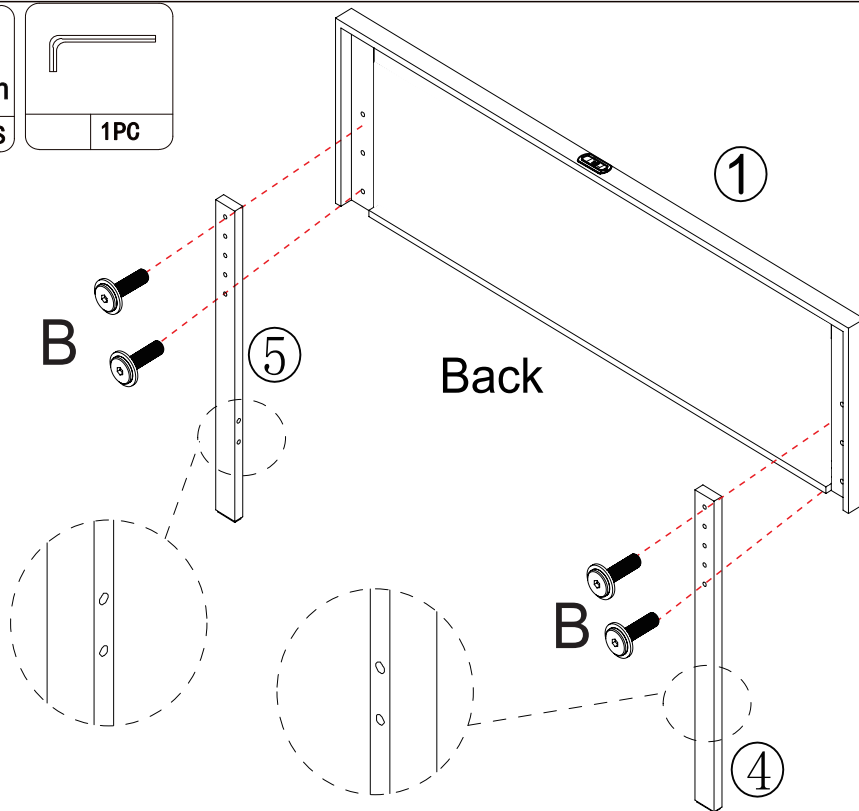
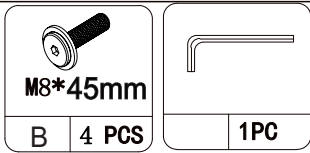
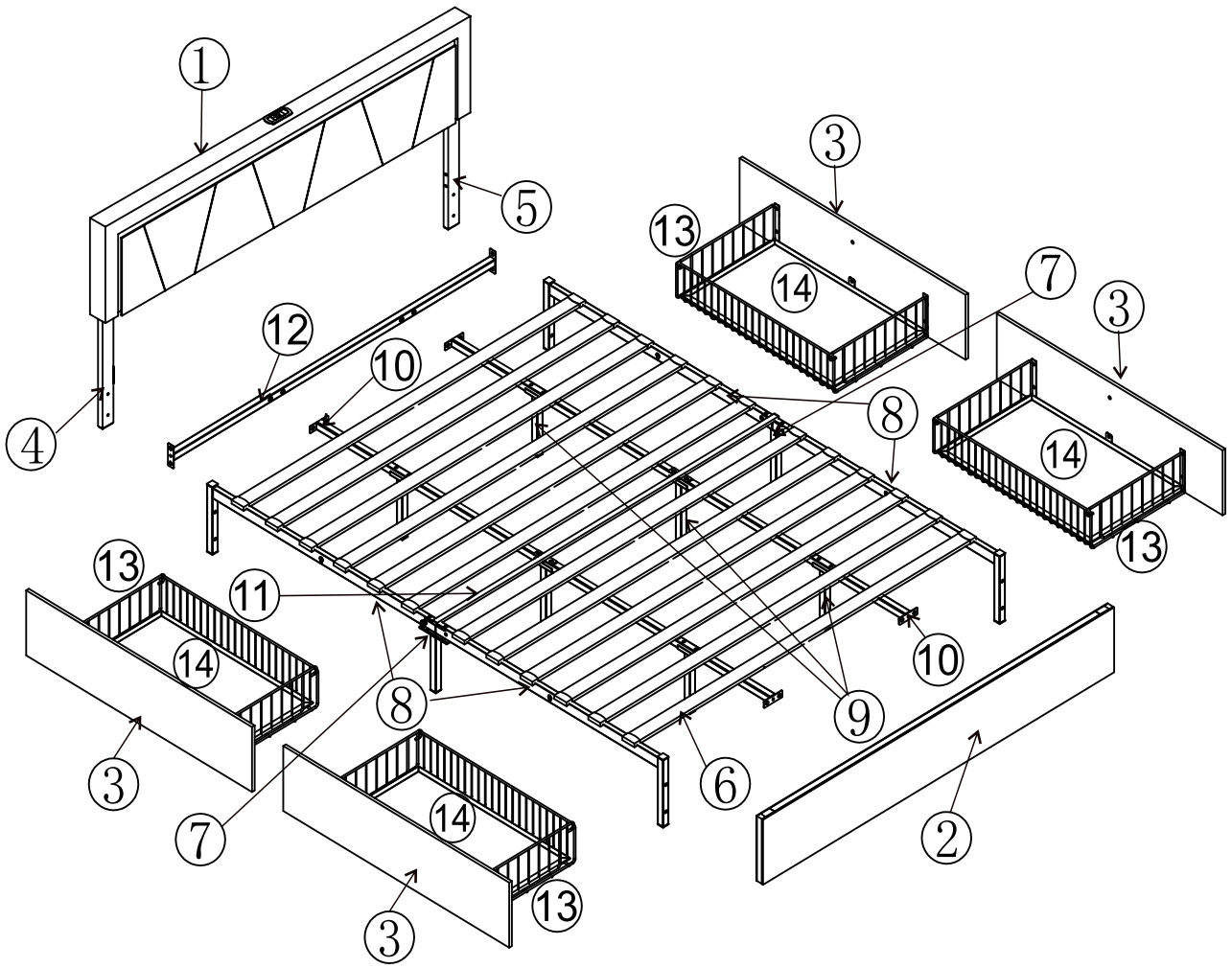
1. Please read all instructions before assembly and check the carton for any parts that may have come loose during shipment. It is recommended to use two or more persons during the assembly process.
2. Please do not discard any packaging before you have checked all the parts and fittings are included. If for any reason this product needs to be returned it must be returned packed in its original packaging.
3. Assemble this product on a flat and clean surface to avoid scratching.



Hardware List


⚠ Pls make sure all the accessories are complete!

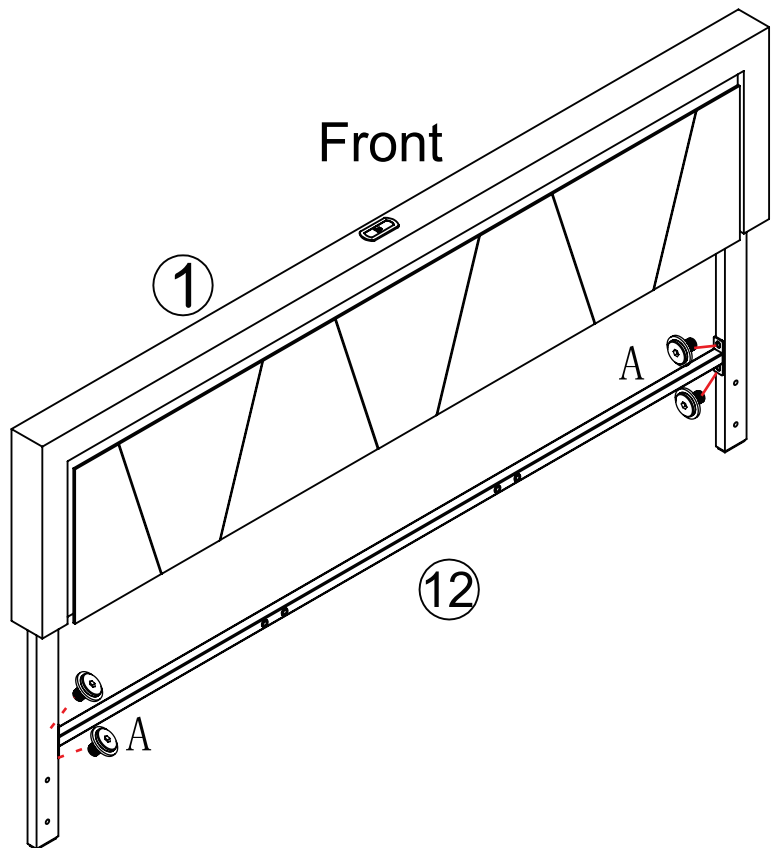
				
① 1PC	② 1PC	③ 4PCS	④ 1PC	⑤ 1PC
				
⑥ 12PCS	⑦ 2PCS	⑧ 4PCS	⑨ 6PCS	⑩ 4PCS
				
⑪ 1PC	⑫ 1PC	⑬ 4PCS	⑭ 4PCS	L 2 PCS
				
M8*25mm A 12PCS	M8*45mm B 16PCS	M8*35mm C 8PCS	M8*14mm D 20 PCS	M8 E 16PCS
				
M8*20mm F 4 PCS	M8*55mm G 4 PCS	H 4 PCS	I 16PCS	J 24PCS
				
S5 S4 2 PCS	M 1PC	RF Remote Controller RF RGB CONTROLLER 1 SET	Adaptor 1PC	R 8+2 PCS




1

	M8*25mm
A	4PCS


	1PC
--	-----





	M8*25mm
A	4PCS

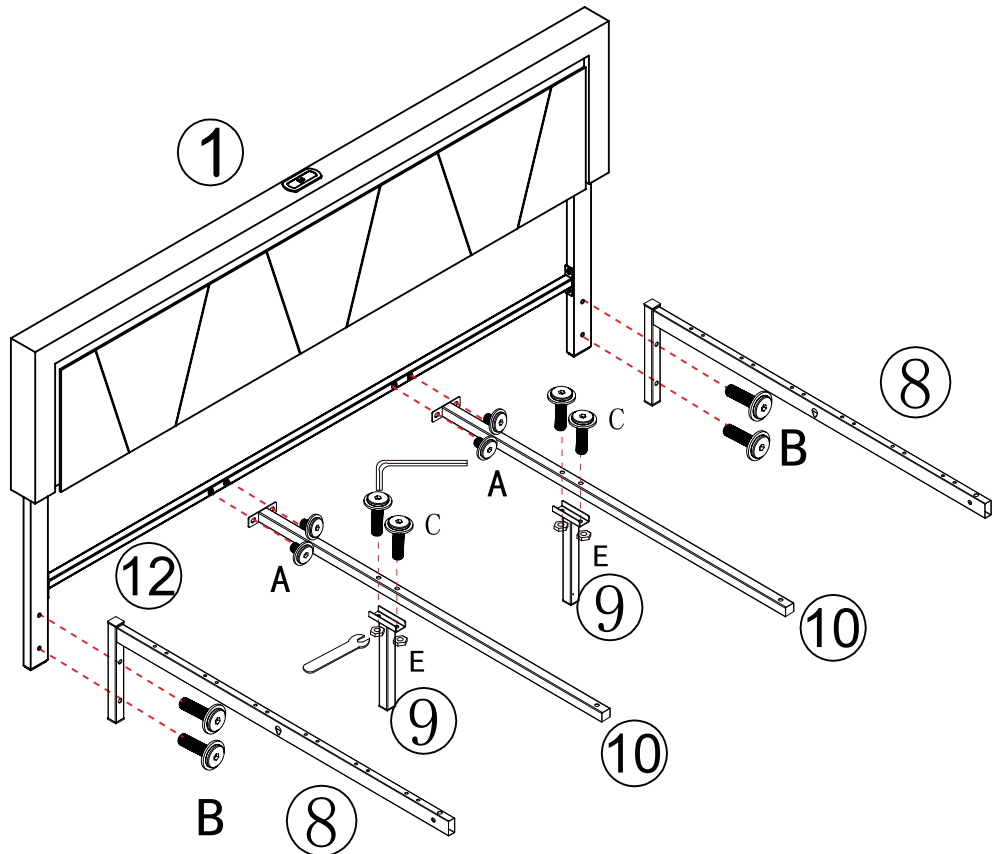
	M8*45mm
B	4PCS

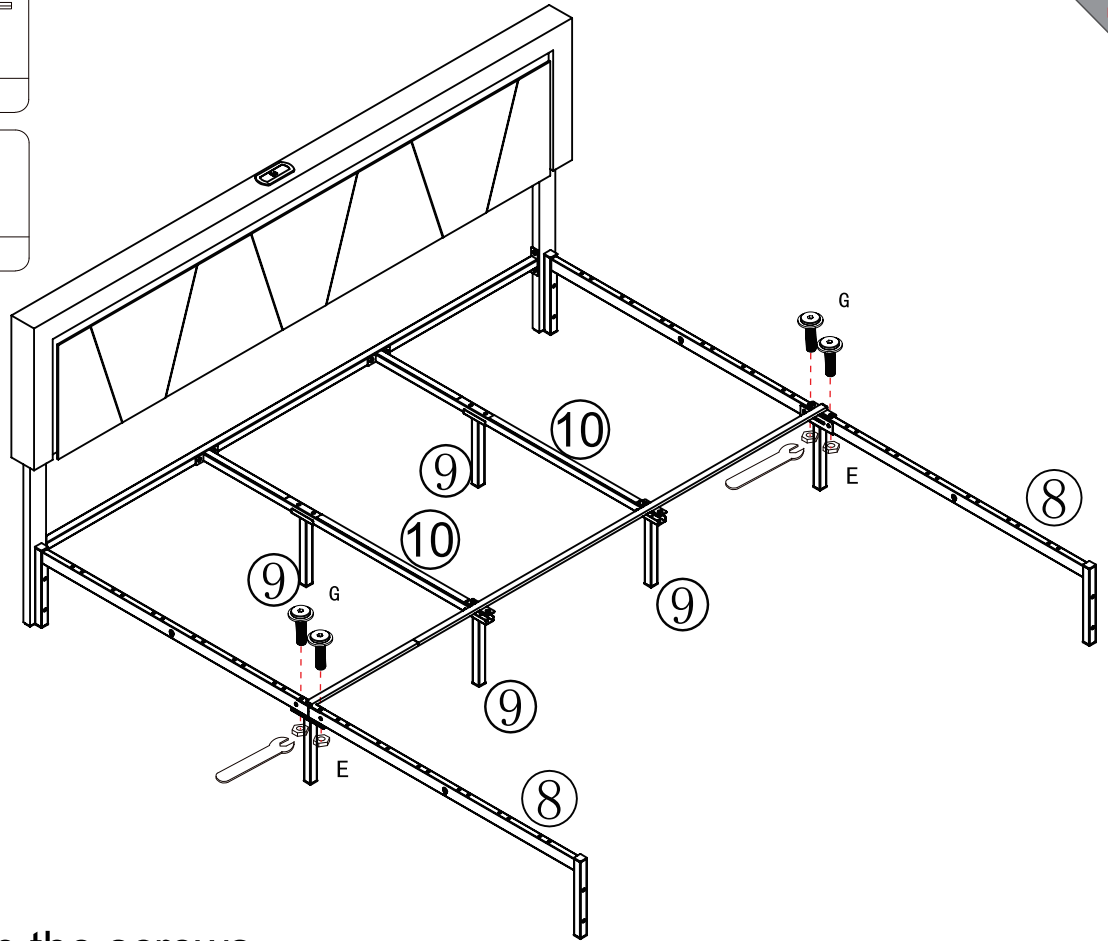
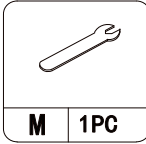
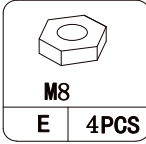
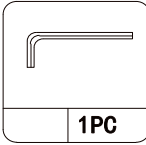
	M8*35mm
C	4PCS

	1PC
---	-----

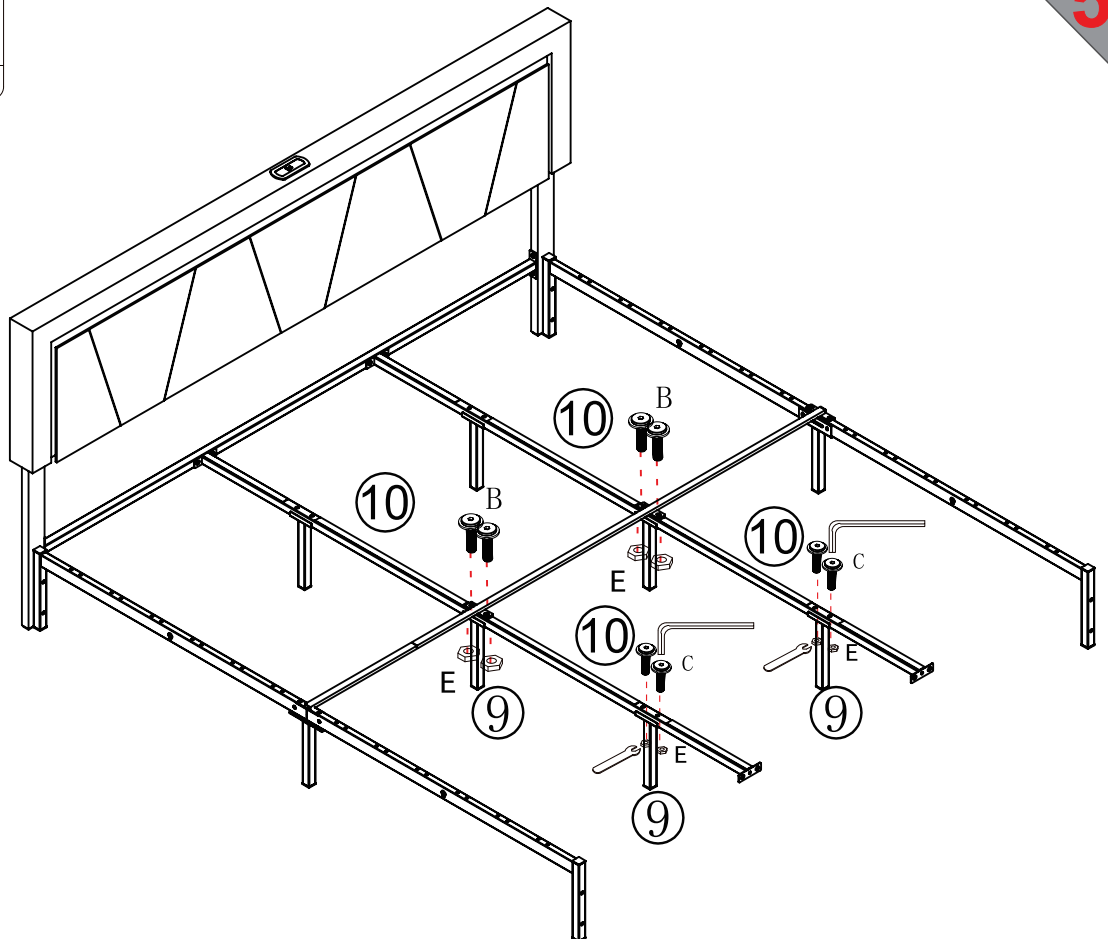
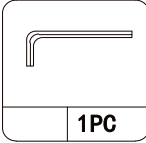
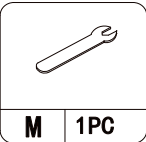
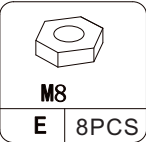
	M8
E	4PCS

	M
M	1PC

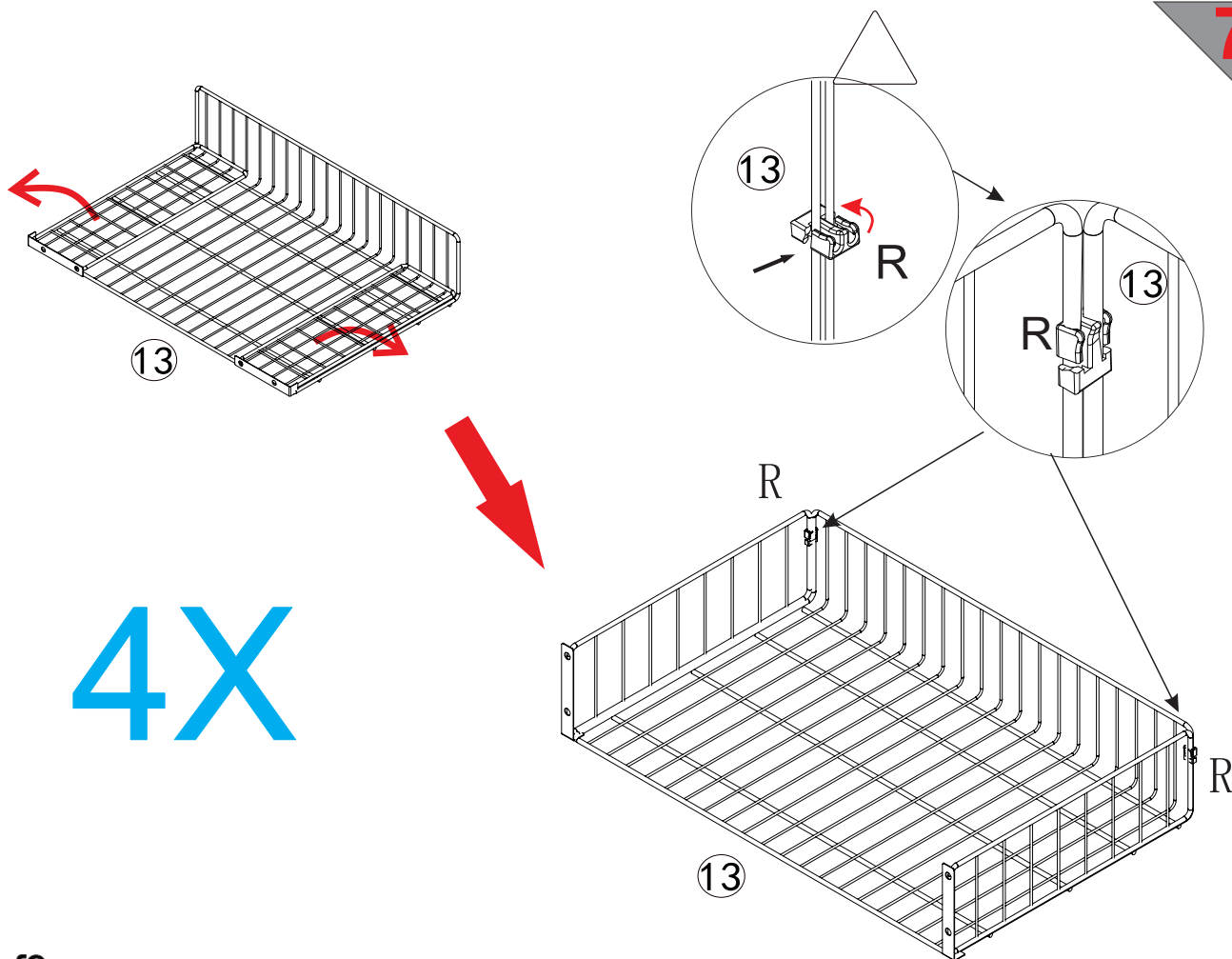
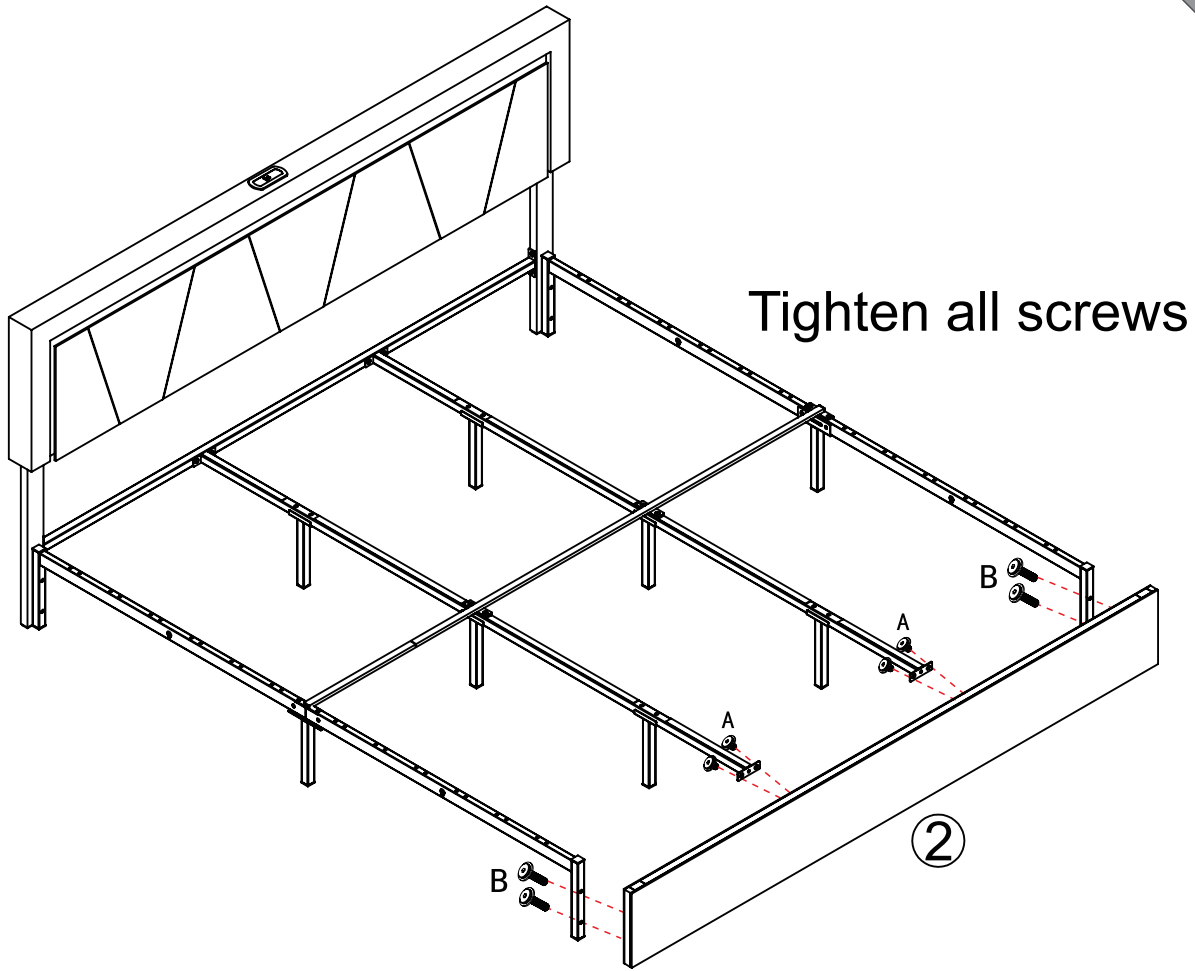




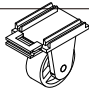

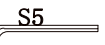

Do not tighten the screws

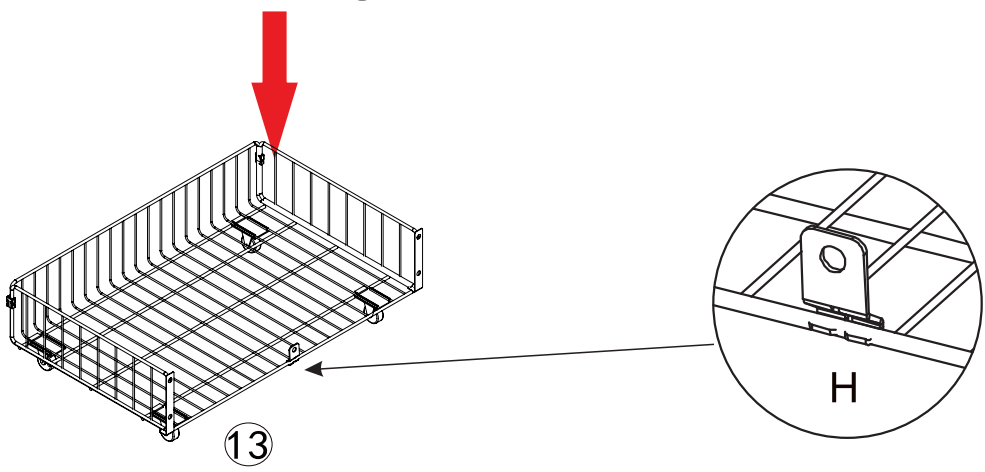
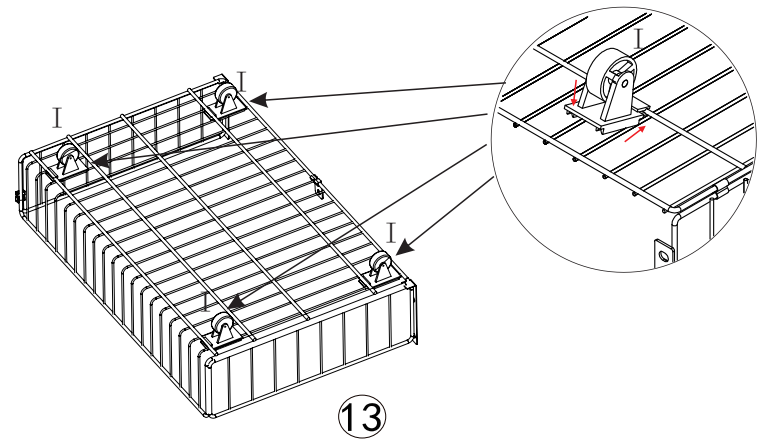


- M8*45mm
B 4PCS
- M8*25mm
A 4PCS
- 1PC


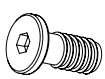
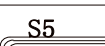



4X

-  I 16PCS
-  H 4PCS
-  S5
-  S4 2PCS

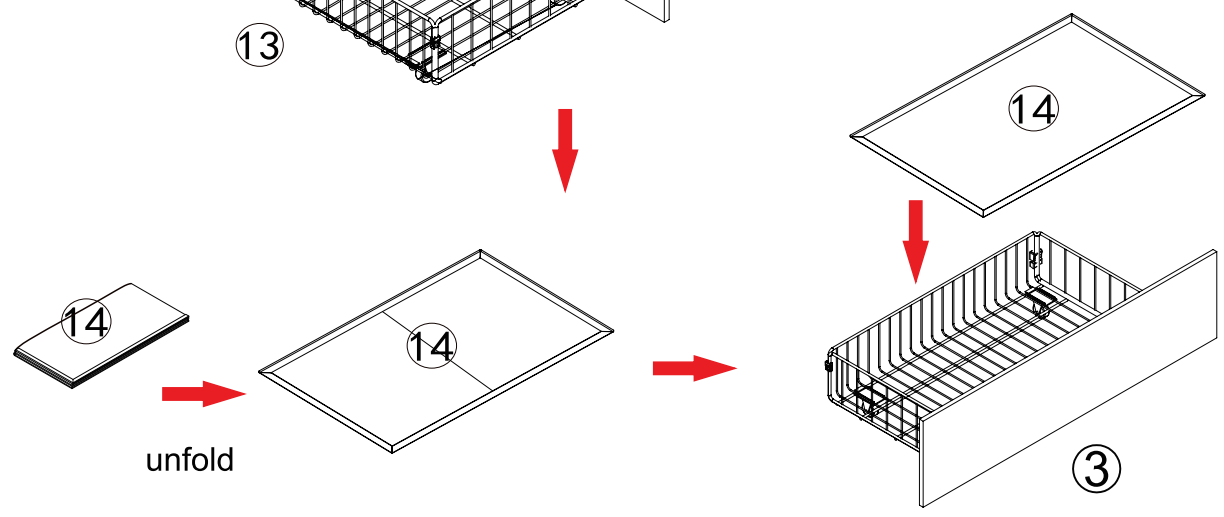
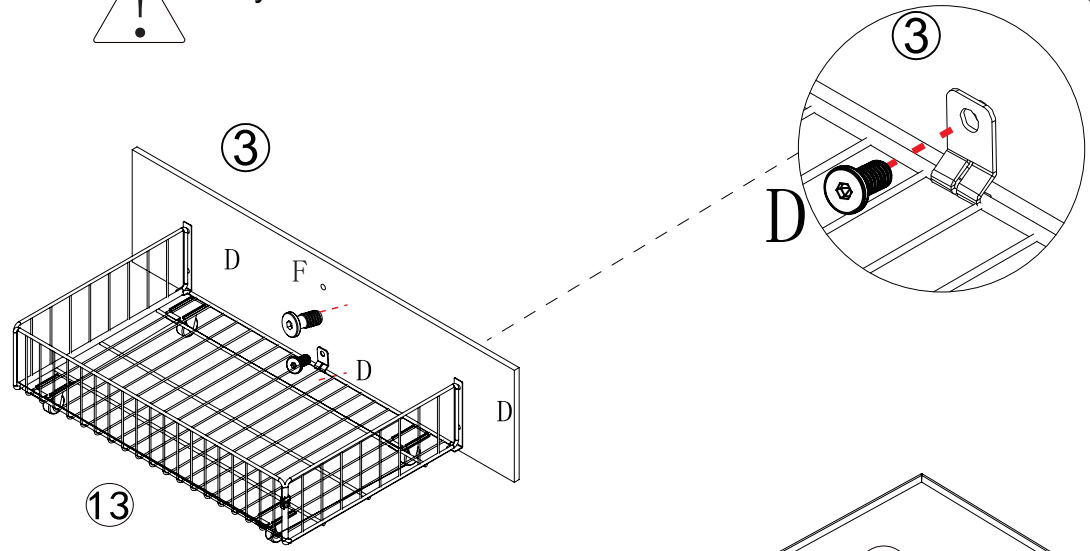


Pay attention to the direction of the buckle

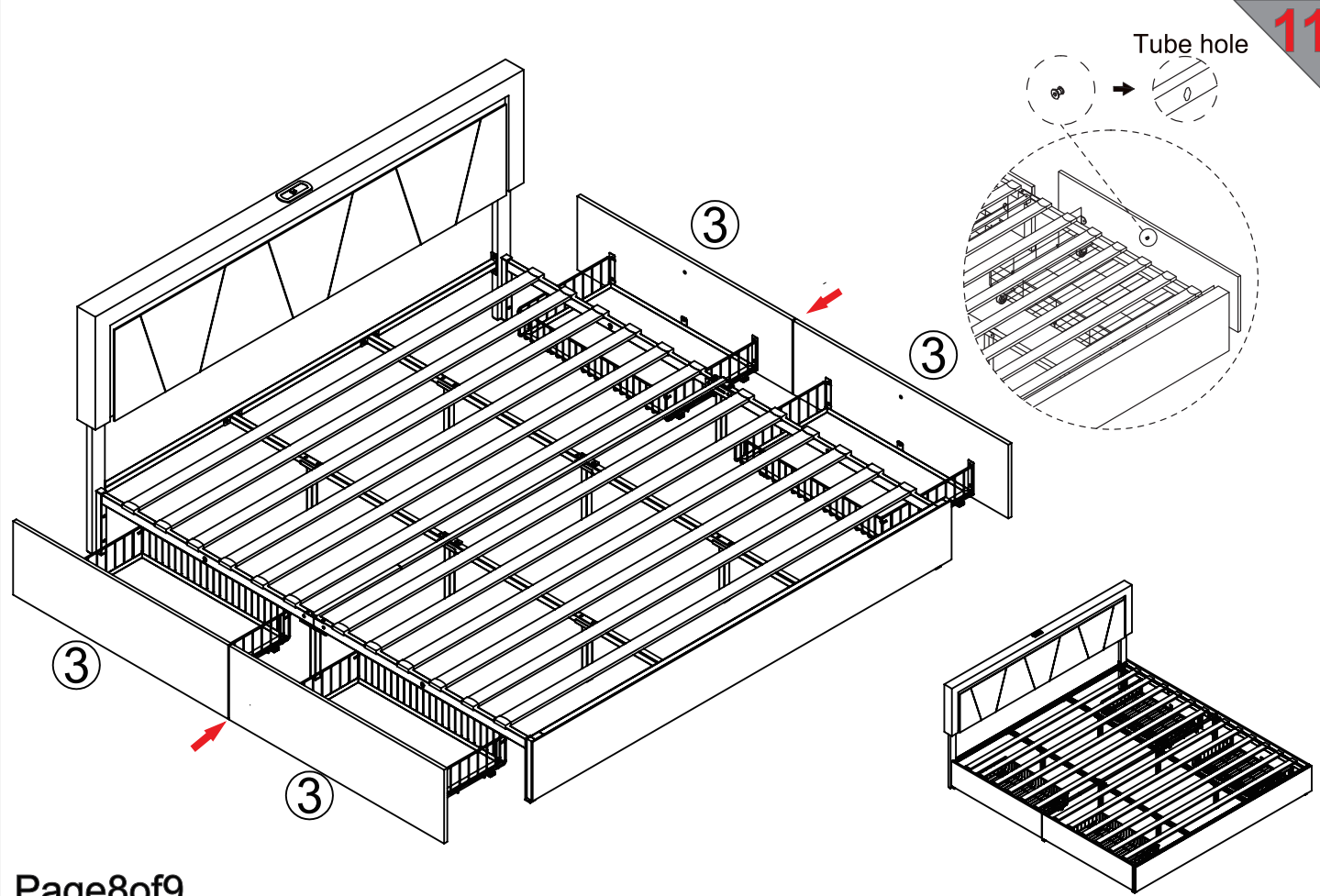
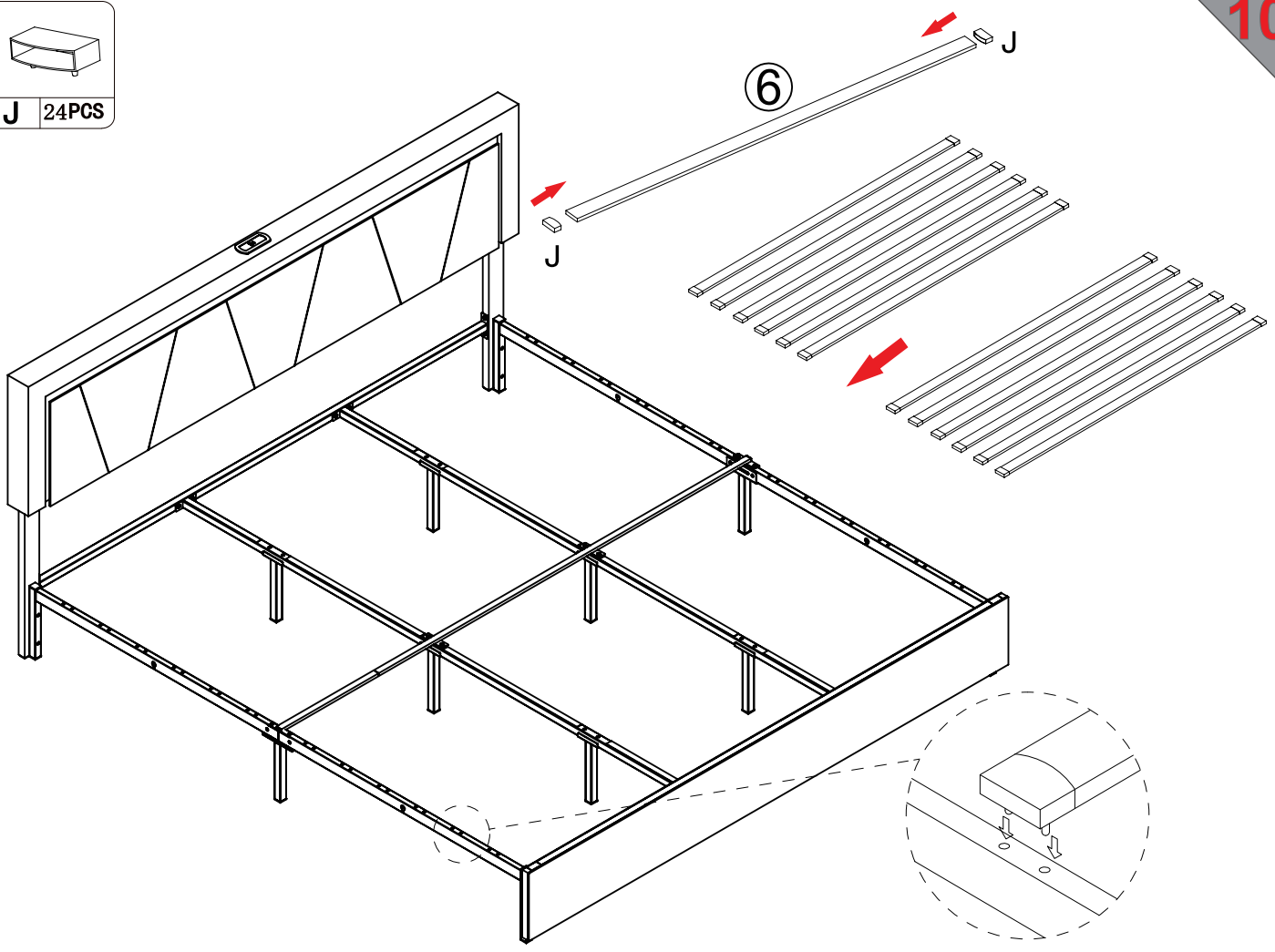
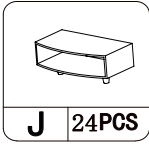
-  M8*14mm D 20 PCS
-  F 4PCS
-  S5
-  S4 2PCS



Pay attention to the direction of the buckle

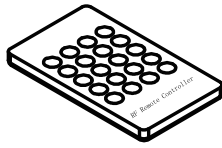


unfold

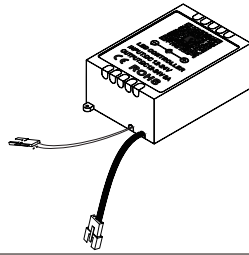


Electronic accessories Manual

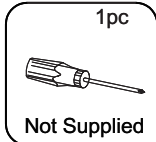
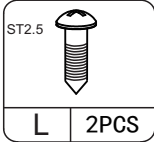
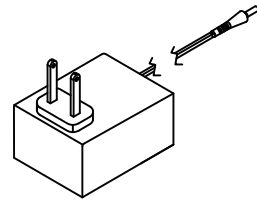
part 1



part 2

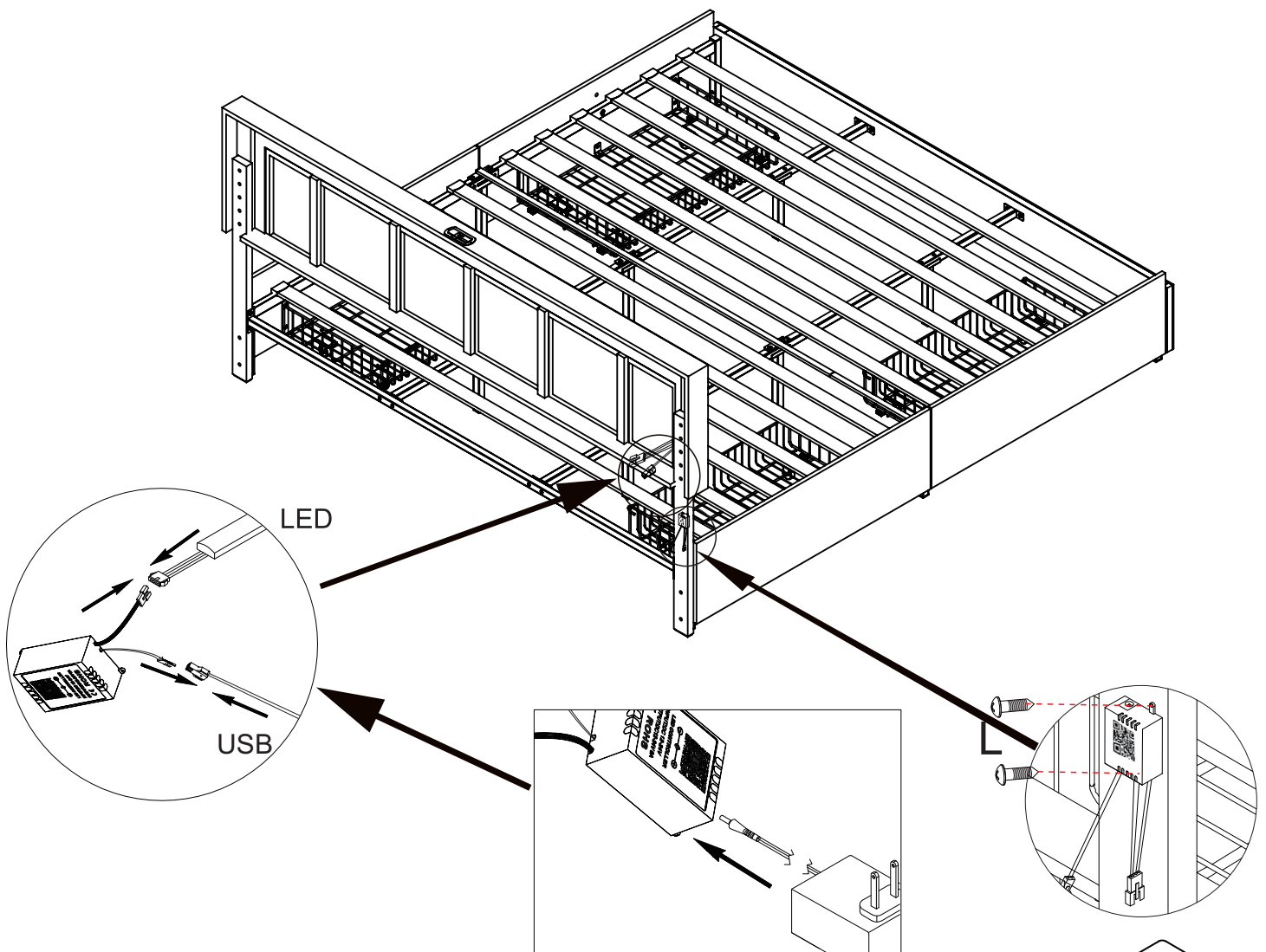


part 3



Note: The USB interface can only be installed on the left side of the bed.

12



You can choose mobile control or RF Remote Control.

First, pull out the plastic card on the RF Remote Controller and power on the RF Remote Controller.

Mobile phone control steps:

1. Connect LED Lamp and RF RGB Controller.
 2. Plug in the Adaptor Power supply.
 3. Scan the RF RGB Controller QR code on the controller and download the software HappyLighting.
 4. Turn on the Bluetooth function of the mobile phone and search for Bluetooth pairing "Trinoes".
 5. Open the "Happy lighting" APP and switch colors change.
- Click the music switch to realize the skip mode of different LED lights.
Press the timing switch to realize the automatic light off function, etc.

