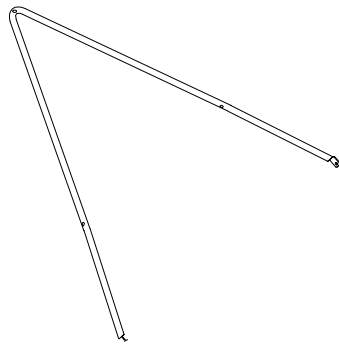
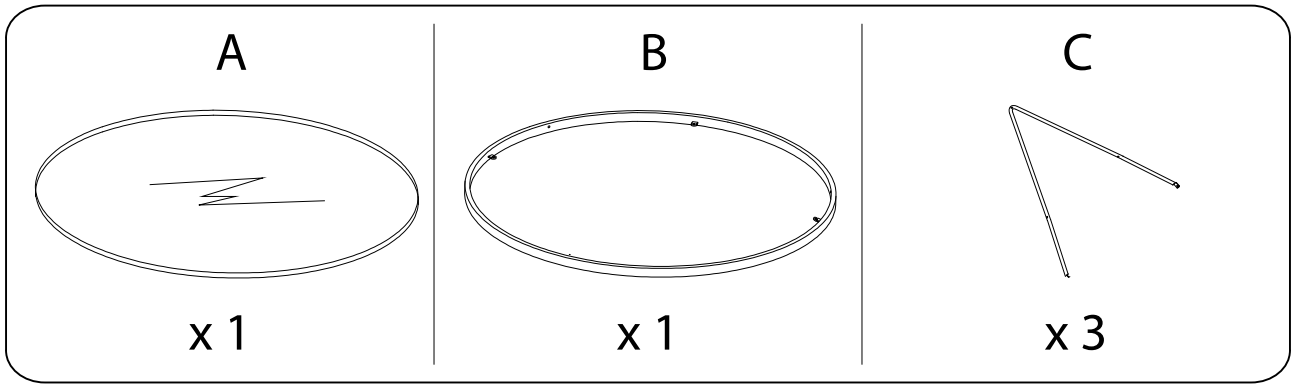
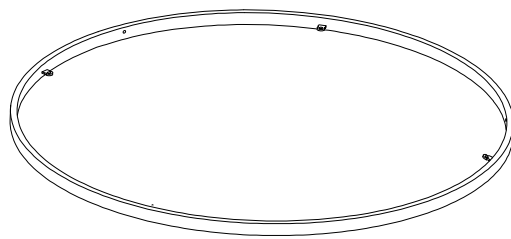


Assembly instructions for step 1/5:

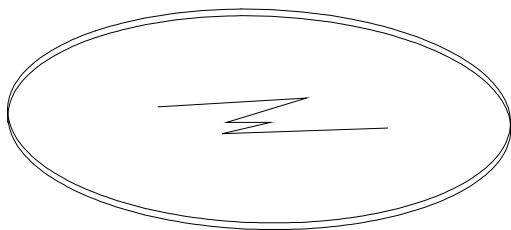
- Top Panel:** A rectangular box containing a circular icon of a wedge-shaped tool and a circular icon of a power drill with a diagonal slash through it. To the right of the box is a warning triangle (an exclamation mark inside a triangle).
- Time:** A clock icon with the text "30'" below it, indicating a 30-minute assembly time.
- Bottom Panel:** A rectangular box containing a circular icon of a rectangular block on a textured surface and a circular icon of a rectangular block with a diagonal slash through it. To the right of the box is a warning triangle (an exclamation mark inside a triangle).
- Person:** A stick figure icon with the number "1" below it, indicating that one person is required for assembly.



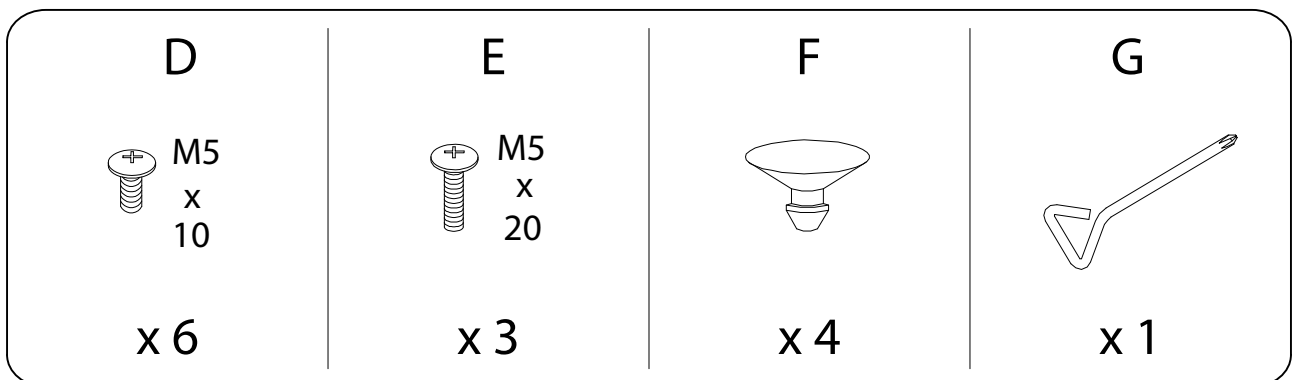
C x3



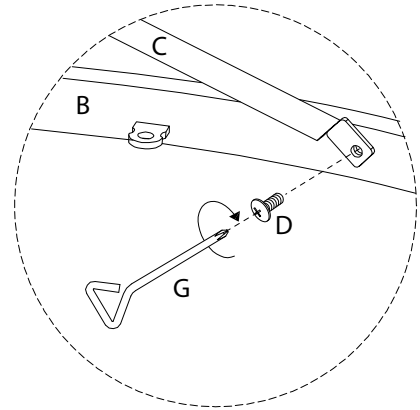
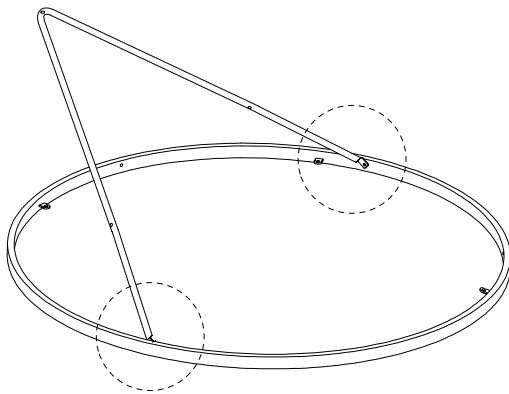
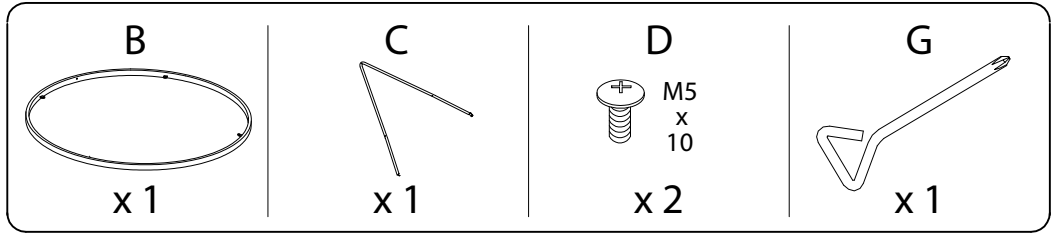
B



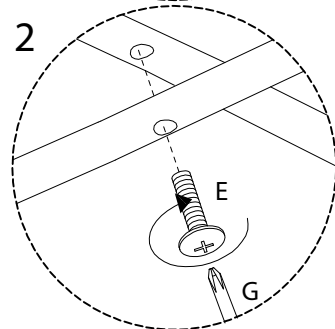
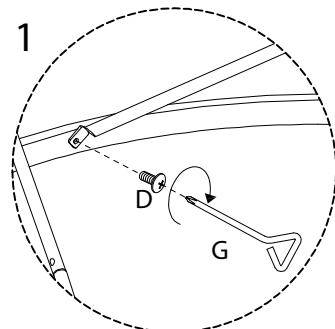
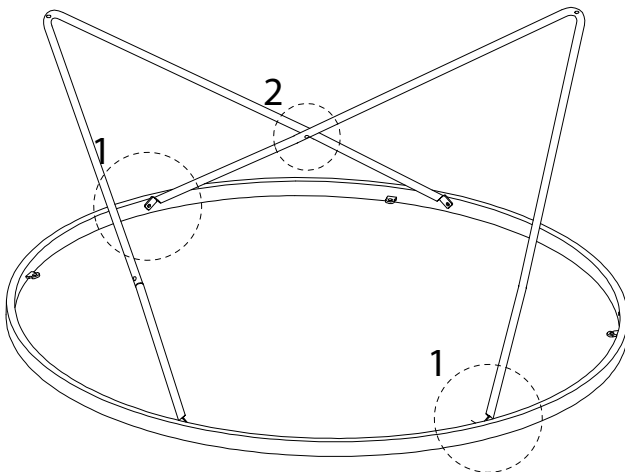
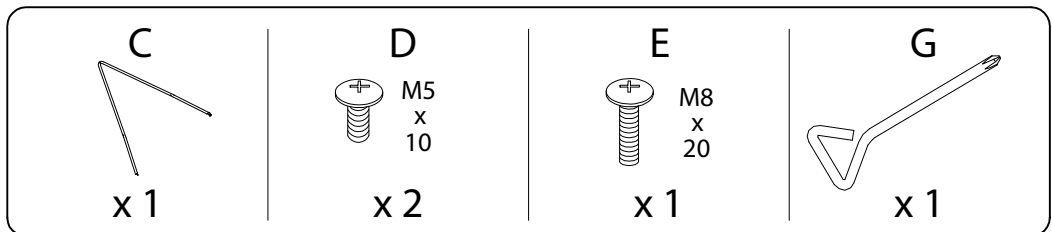
A



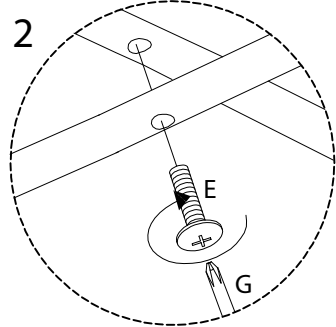
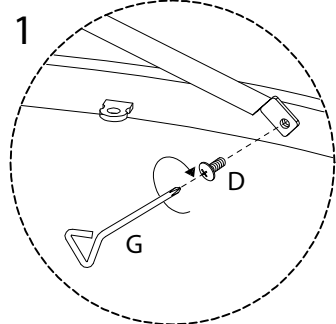
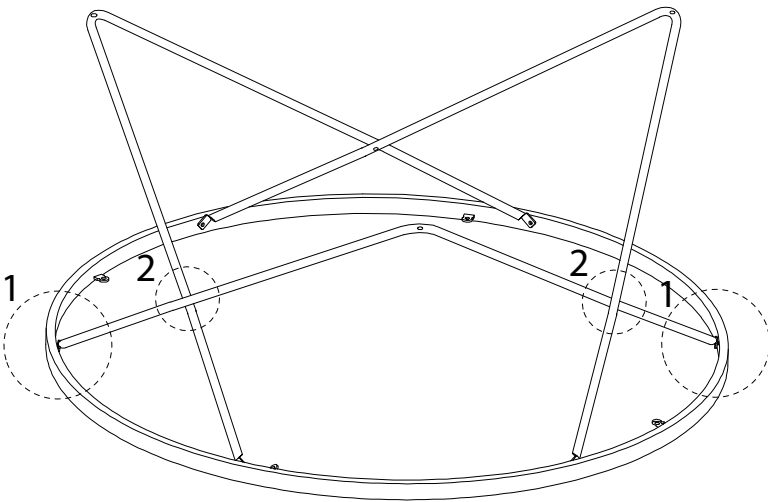
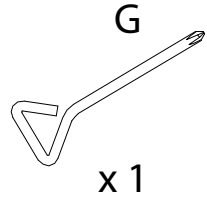
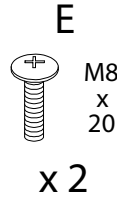
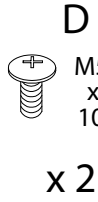
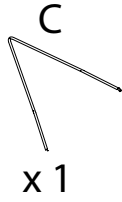
1



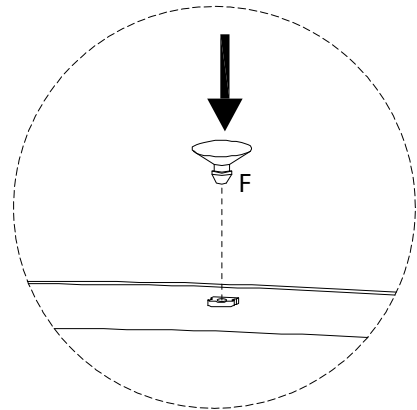
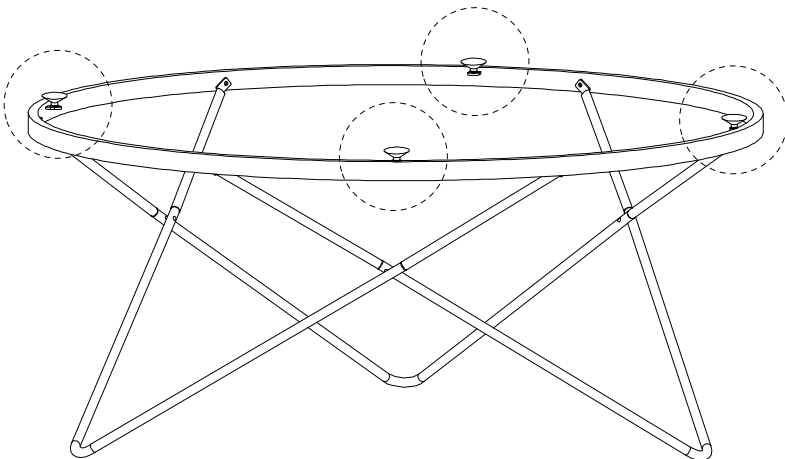
2



3



4



5

