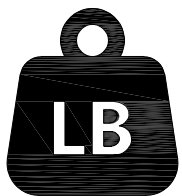


NOTE:

This brochure contains IMPORTANT safety info. Please read and keep for future reference.

MAINTAINANCE AND WARNING

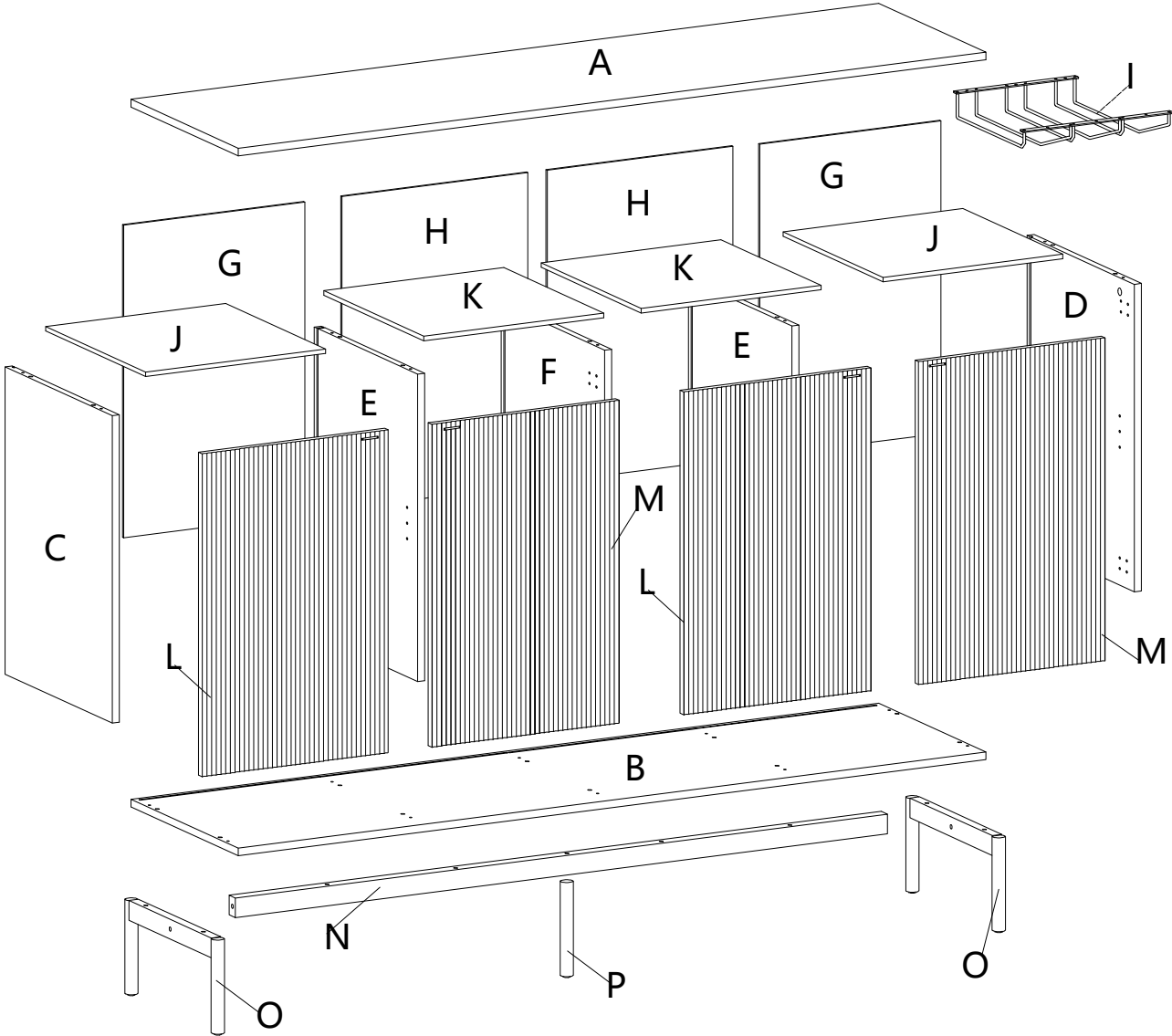
- 1.Keep furniture away from heat sources.
- 2.Do not clean furniture with harsh cleaner or polishes.Do not use detergents,solvents,abrasives,spray packs or leather cleaner. Use non-color mild soa with warm water to clean spills(Mix 1:10 soap to water).
- 3.Do not place furniture under direct sunlight,material will possibly fade over time.
- 4.Do not use on site dry cleaning machine.Children should not climb or jump on the furniture.
- 5.Do not write on furniture that is not protectedby a padded barrier.
- 6.Not for commercial use,only for residential use.



Weight Limitation

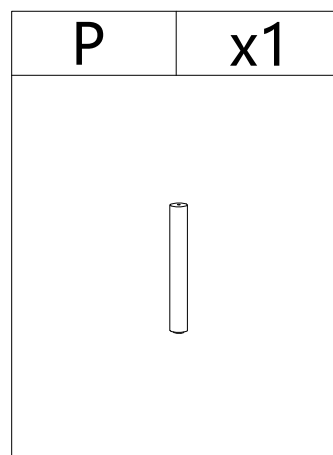
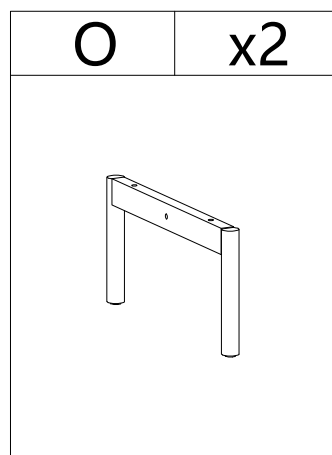
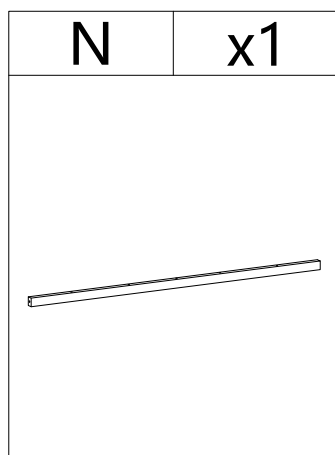
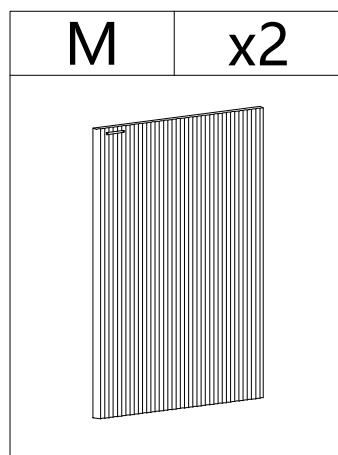
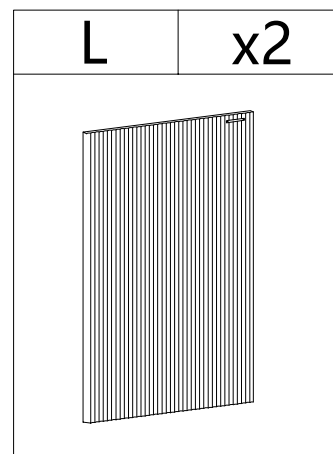
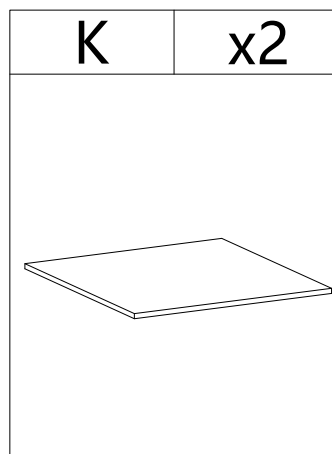
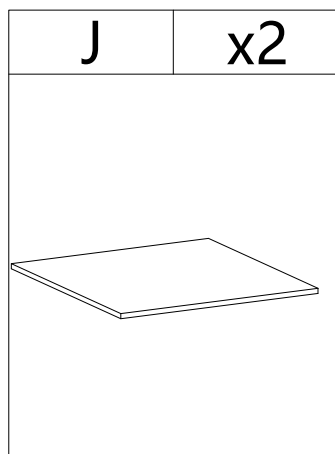
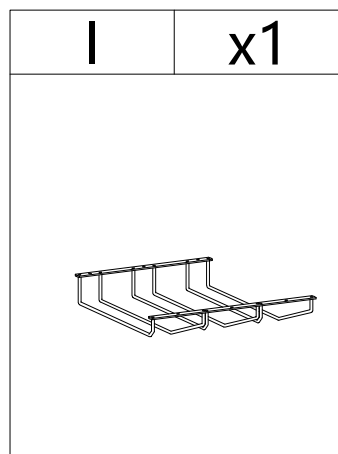
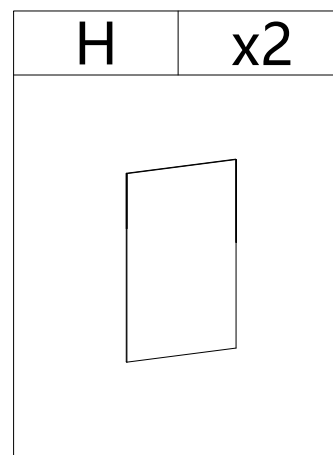
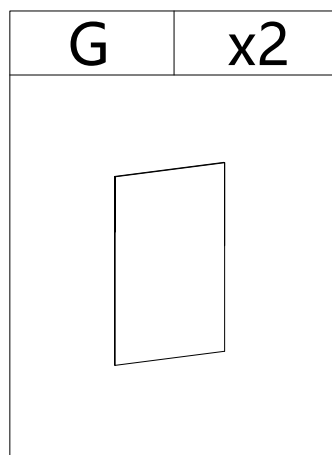
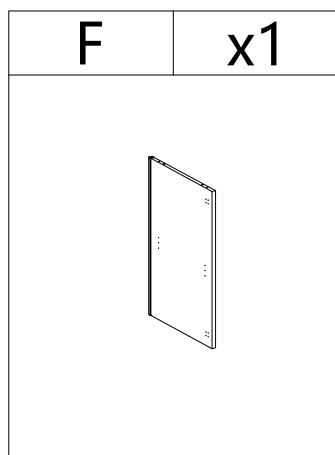
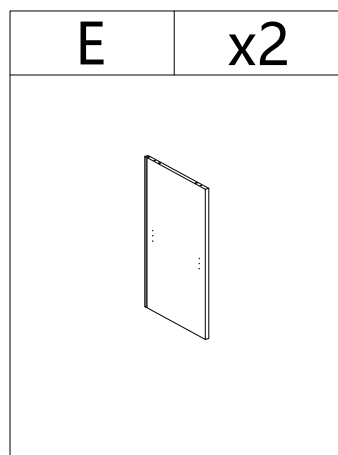
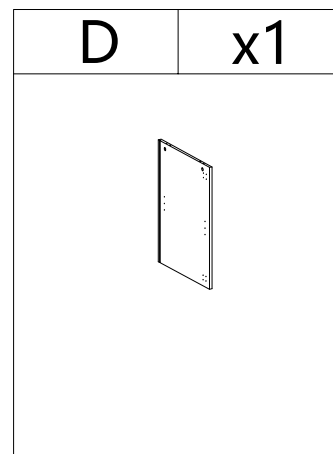
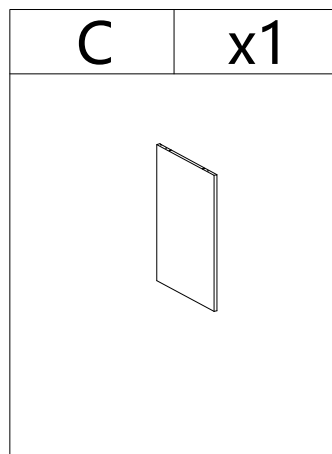
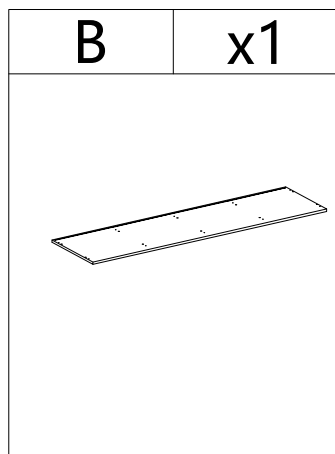
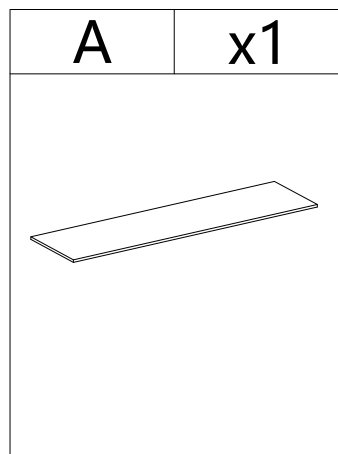
90 LBS

EXPLOSIVE VIEW

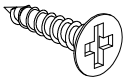
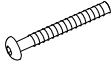



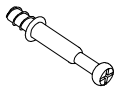
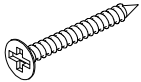



2 People

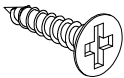
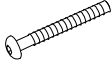
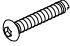


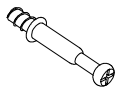
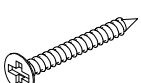

PARTS LIST



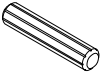

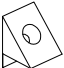

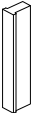
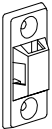




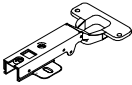
HARDWARE LIST

#1	x82	#2	x8	#3	x2	#4	x8	#5	x10
									
M3.5*14mm		M6*50mm		M6*40mm				M7*50mm	
#6	x10	#7	x4	#8	x1				
									
M6*35mm		M4*35mm		M6*30mm					


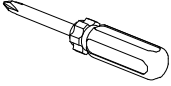
HARDWARE SPARE LIST

#1	x8	#2	x1	#3	x1	#4	x1	#5	x1
									
M3.5*14mm		M6*50mm		M6*40mm				M7*50mm	
#6	x1	#7	x1	#8	x1				
									
M6*35mm		M4*35mm		M6*30mm					

HARDWARE LIST

#9	x20	#10	x10	#11	x24	#12	x10	#13	x4
									
Ø8*30mm		Ø15*11mm				Ø20mm			
#14	x4	#15	x4	#16	x2	#17	x16	#18	x4
									
#19	x4								
									

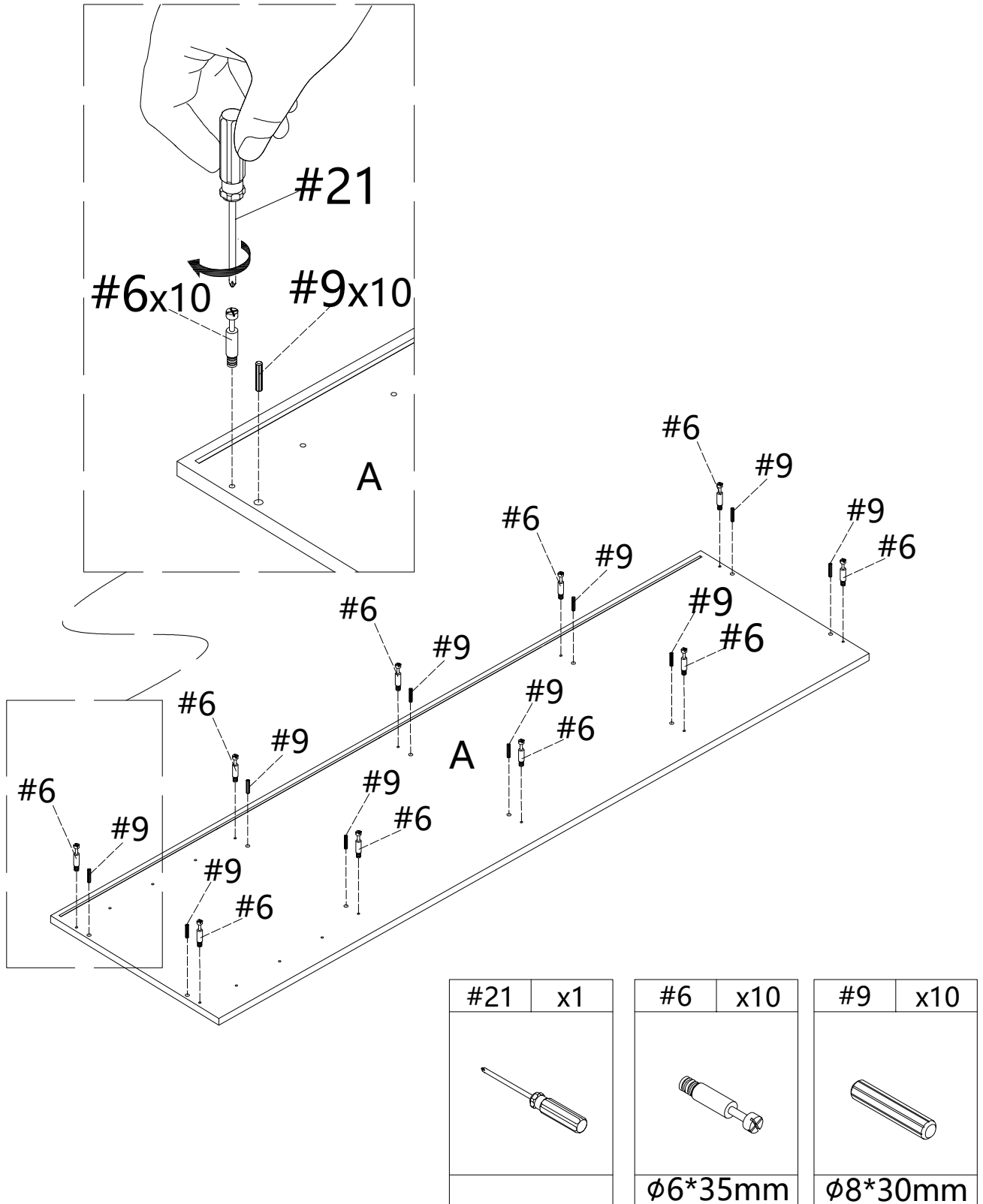
TOOL LIST

#20	x1	#21	x1
			
M4			

ASSEMBLY INSTRUCTIONS

STEP-1

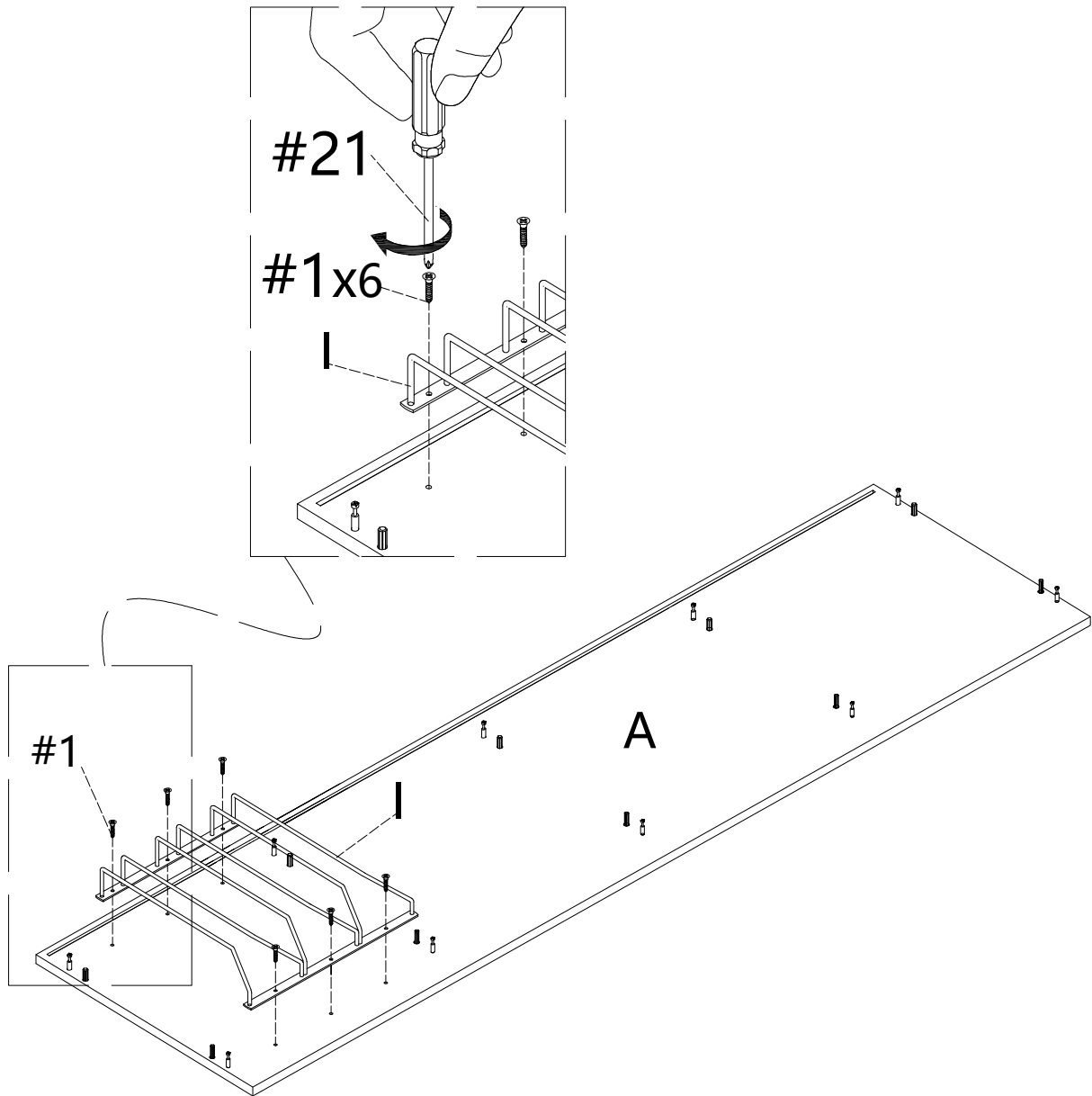
Insert wooden dowel #9 into the corresponding hole of top panel (A), screw bolt #6 into the corresponding hole of top panel (A), tighten bolt #6 with screwdriver #21.

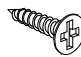
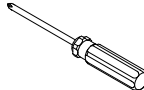


ASSEMBLY INSTRUCTIONS

STEP-2

Use screw#1 to attach wine rack(I) to top panel (A),tighten screw#1 with screwdriver#21.

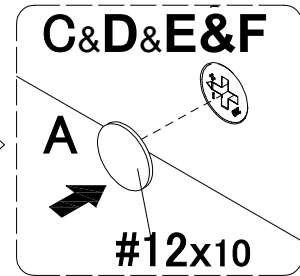
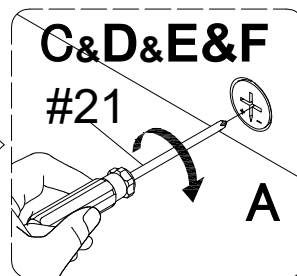
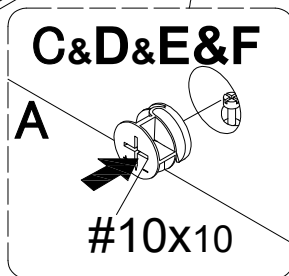
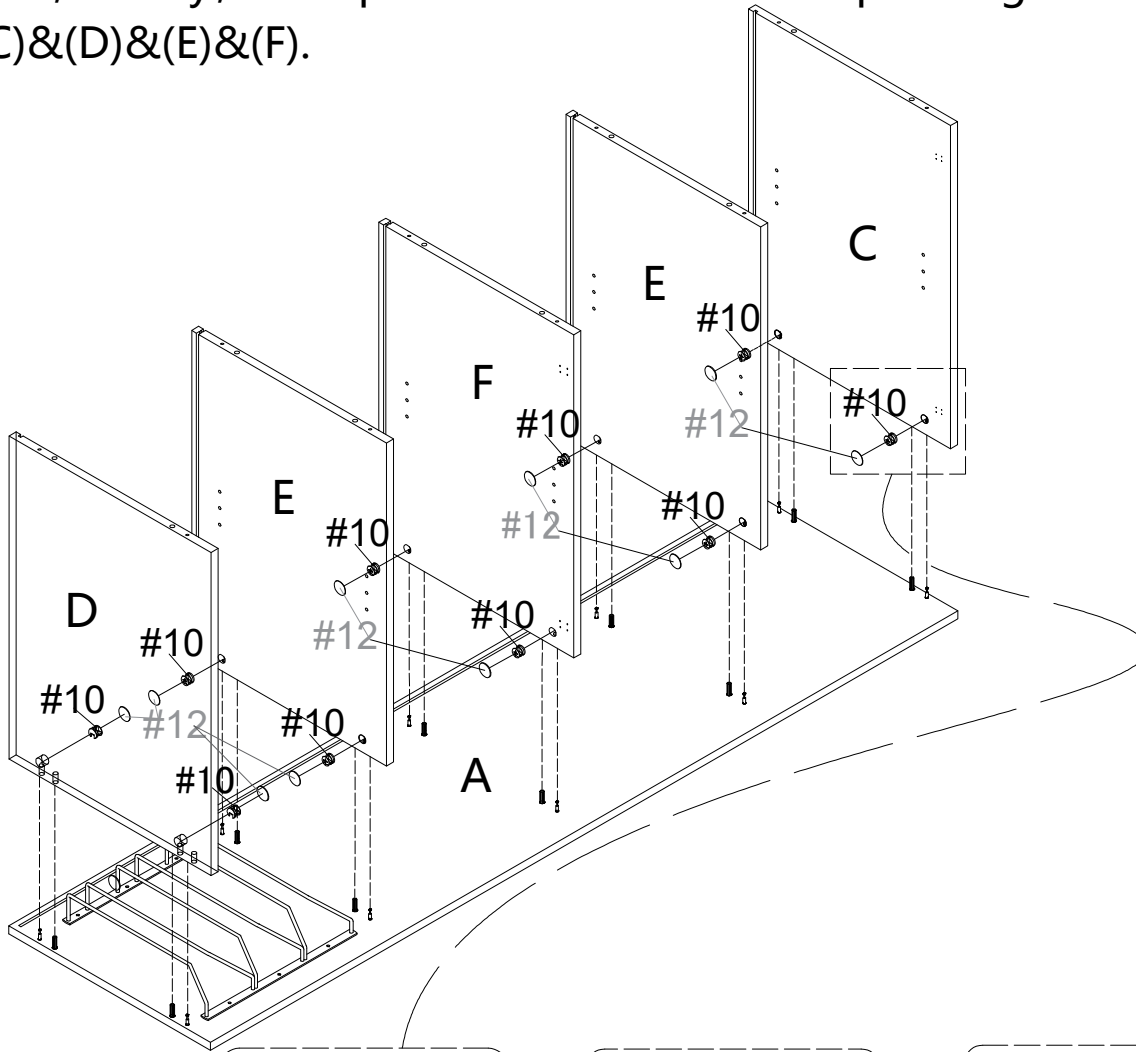


#1	x6	#21	x1
			
φ3.5*14mm			

ASSEMBLY INSTRUCTIONS

STEP-3

Insert panel (C)&(D)&(E)&(F) into top panel (A) as picture show, and then insert cam bolt #10 into the corresponding hole of panel (C)&(D)&(E)&(F), tighten cam bolt #10 with screwdriver #21, finally, stick paster #12 on the corresponding hole of panel (C)&(D)&(E)&(F).



#10	x10
ø15*11mm	

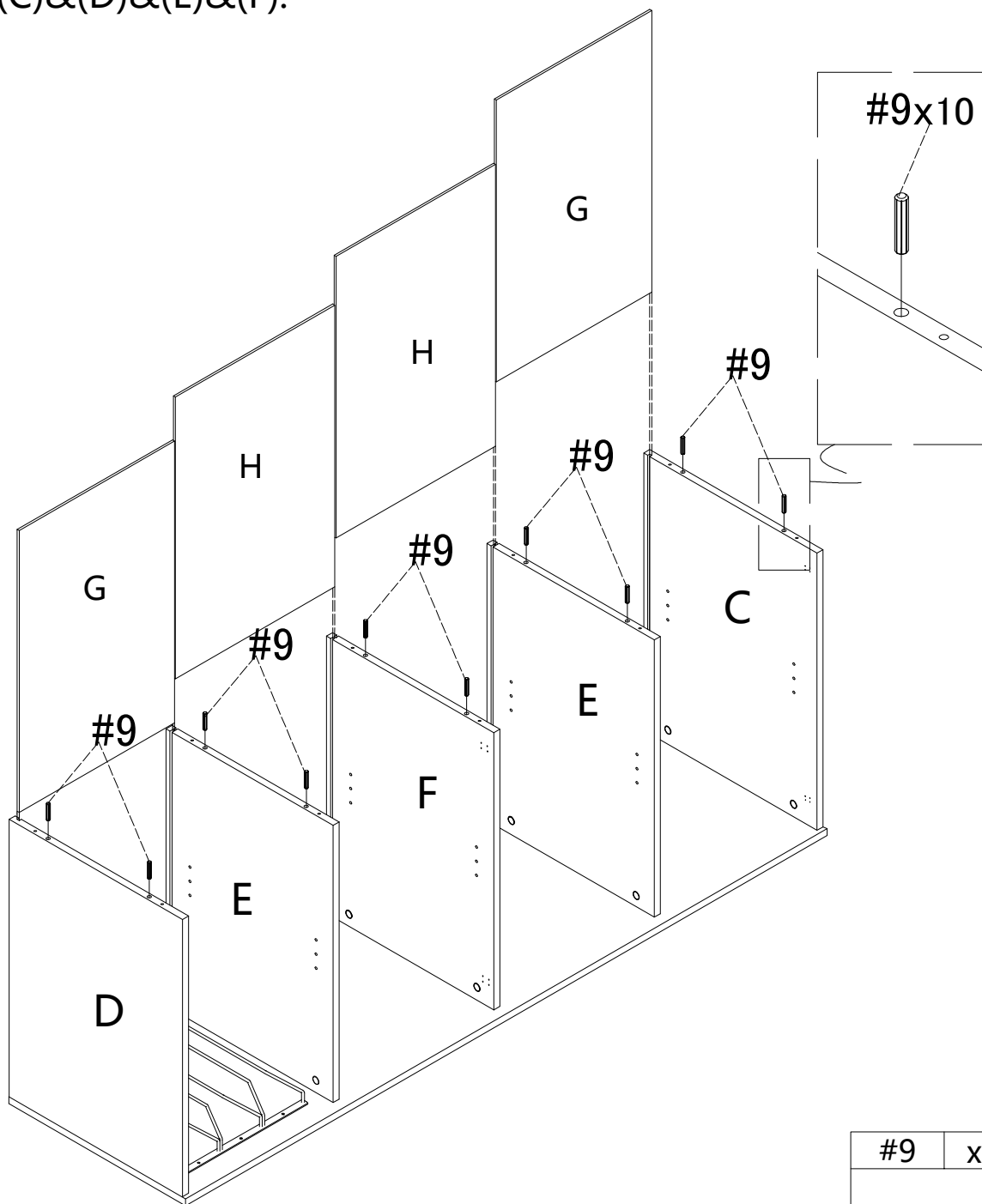
#12	x10
ø20	

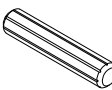
#21	x1

ASSEMBLY INSTRUCTIONS

STEP-4

Carefully align and slide panel (H)&(G) into the groove along rear edge of pre-assemble unit at step 3, slide the panel (H)&(G) into the bottom, and then insert wooden dowel #9 into the corresponding hole of panel (C)&(D)&(E)&(F).

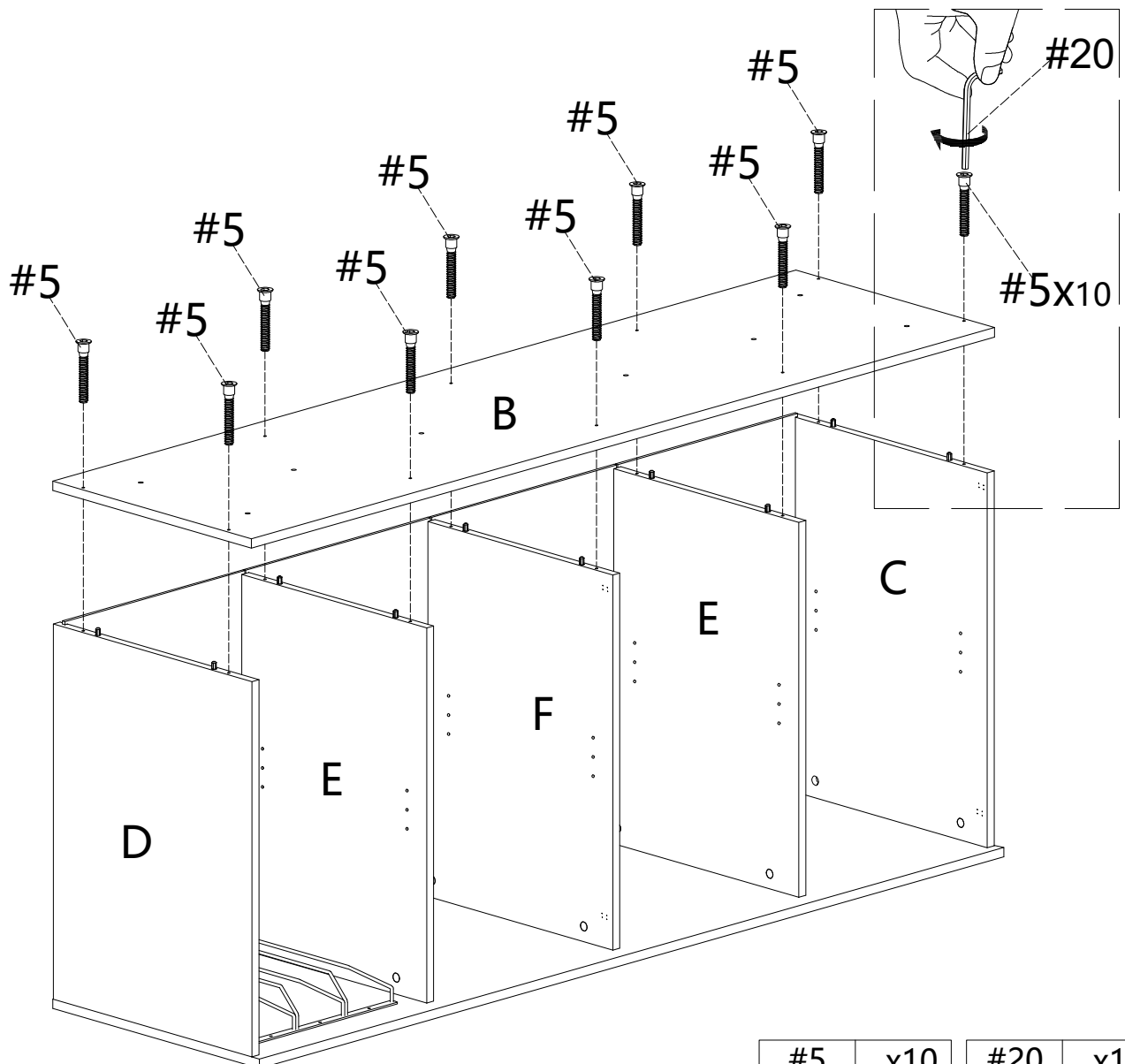


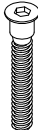

#9	x10
	
ø8*30mm	

ASSEMBLY INSTRUCTIONS

STEP-5

Use bolt #5 to attach bottom panel (B) to the corresponding hole of panel (C)&(D)&(E)&(F),tighten bolt #5with allen key #20.



#5	x10	#20	x1
			
M7*50		M4	

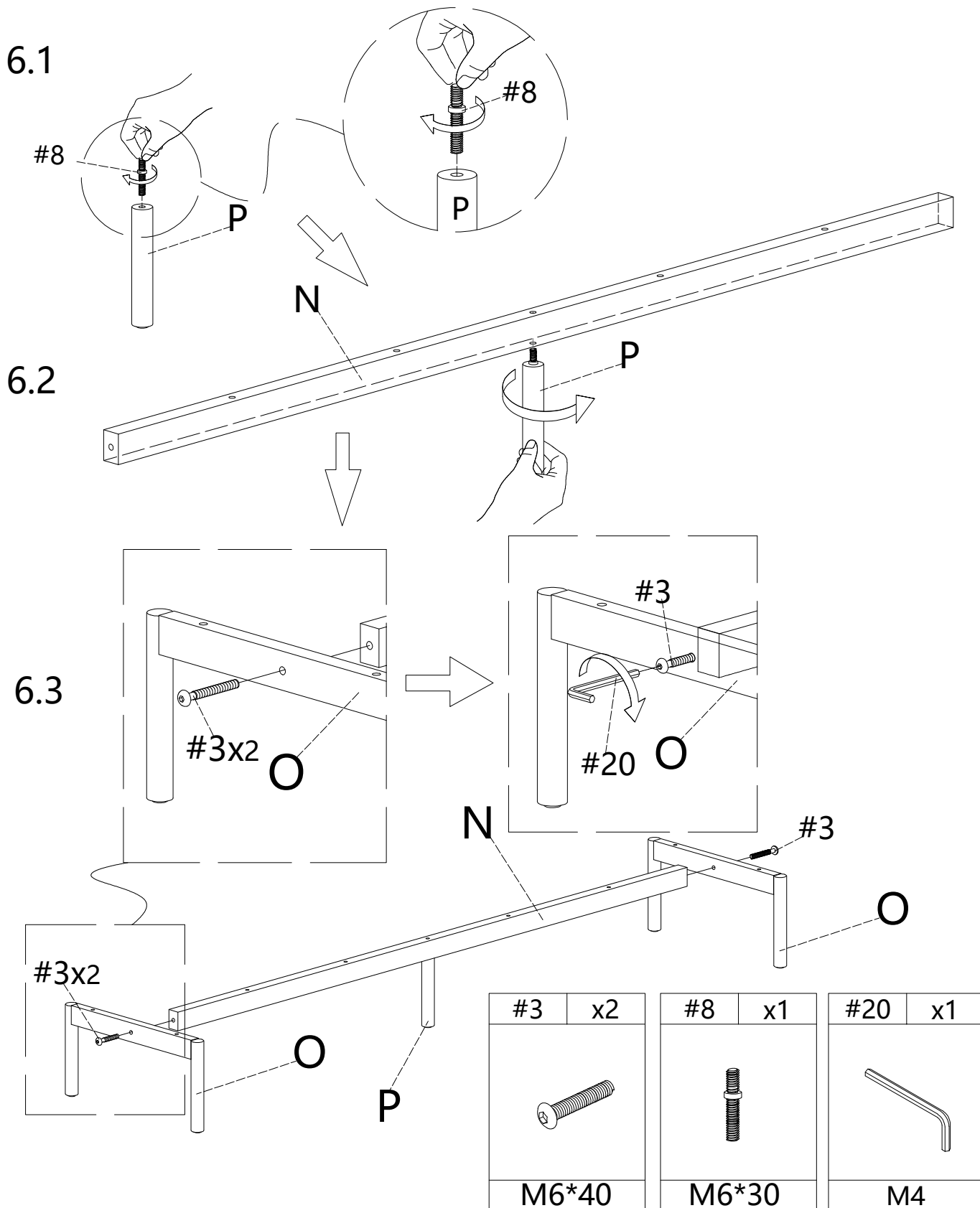
ASSEMBLY INSTRUCTIONS

STEP-6

6.1 Screw bolt #8 into leg(P) as picture show, pay attention to the direction of bolt.

6.2 Screw preassembly leg(P) into part(N).

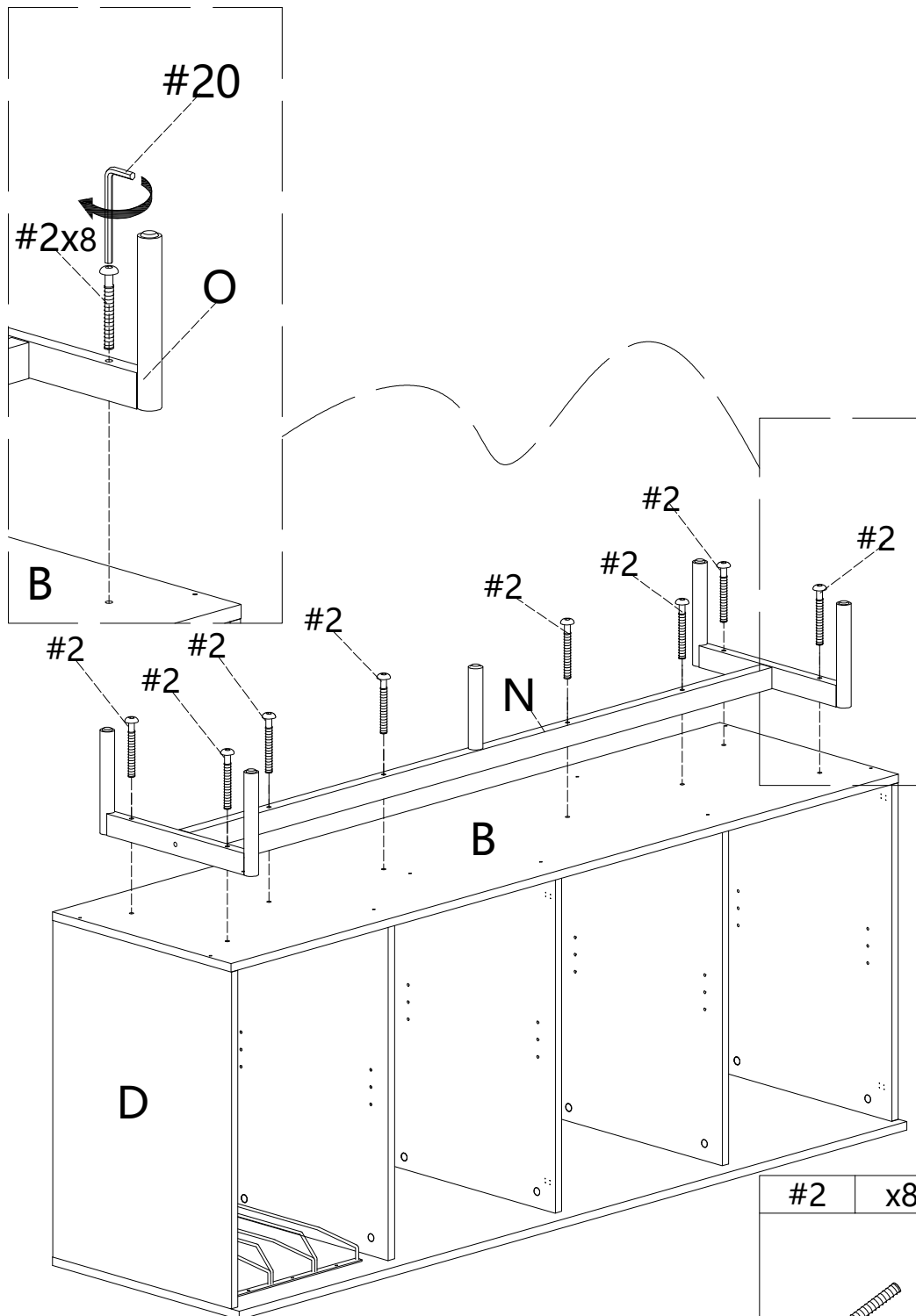
6.3 Use bolt #3 to attach leg(O) to part(N), and then use allen key#20 to tighten it.

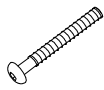


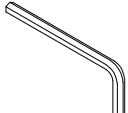
ASSEMBLY INSTRUCTIONS

STEP-7

Use bolt #2 to attach preassemble leg (N)&(O) to the corresponding hole of bottom panel (B),tighten bolt #2 with allen key #20.



#2	x8
	
M6*50	

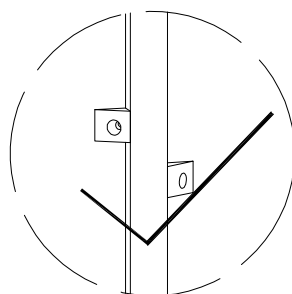
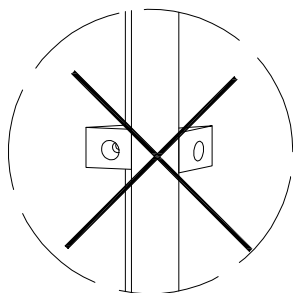
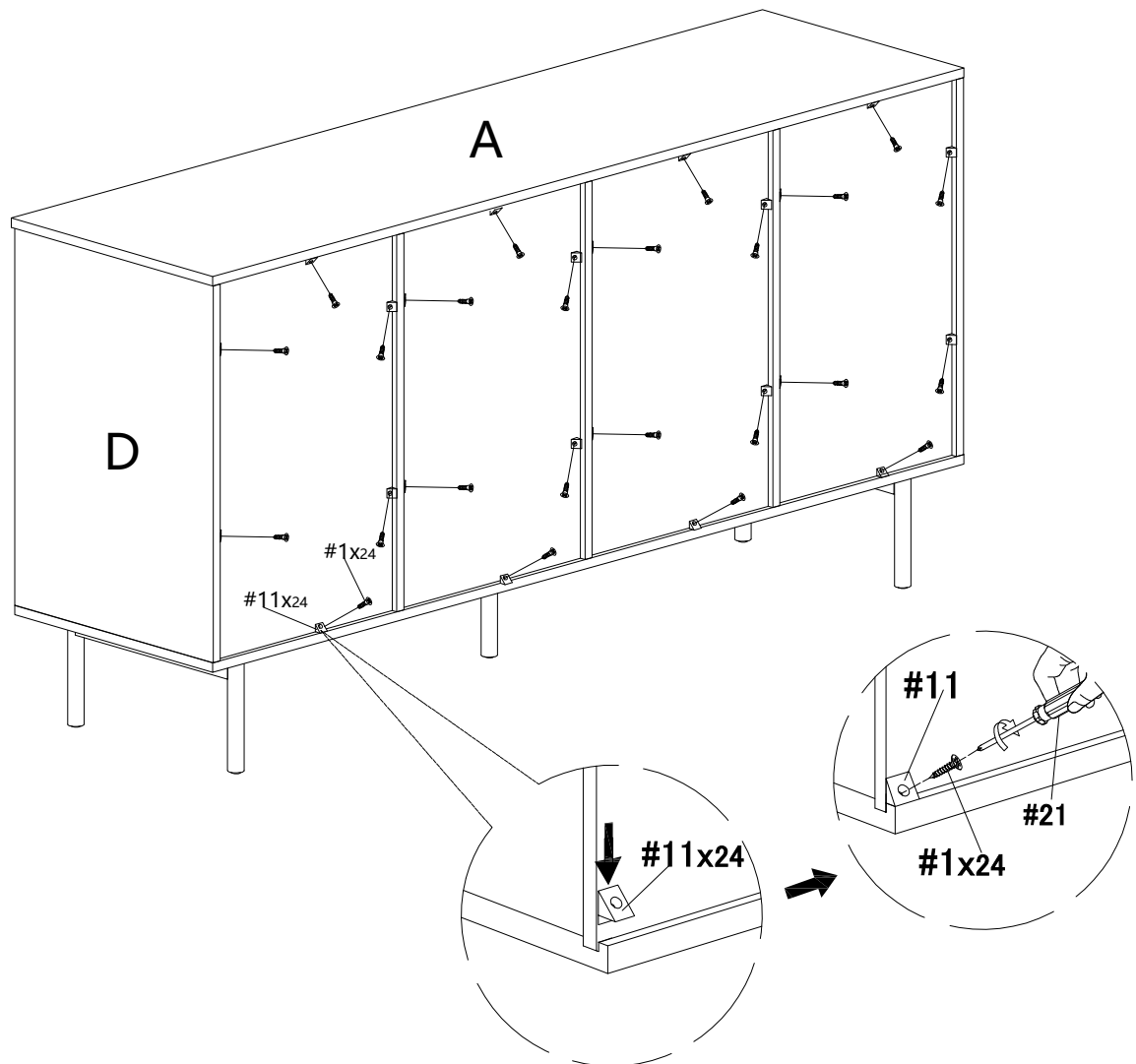
#20	x1
	
M4	

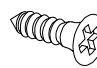
ASSEMBLY INSTRUCTIONS


STEP-8

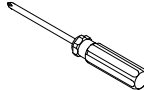
Use screw #1 to attach part #11 to panel

(A)&(B)&(C)&(D)&(E)&(F),tighten screw #1with screwdriver #21.



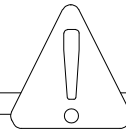
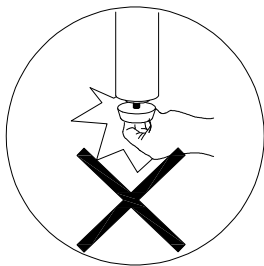
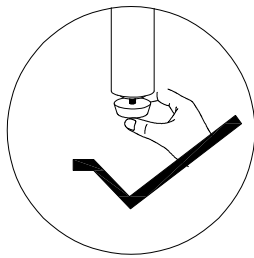
#1	x24
	
M3.5*14	

#11	x24
	

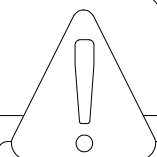
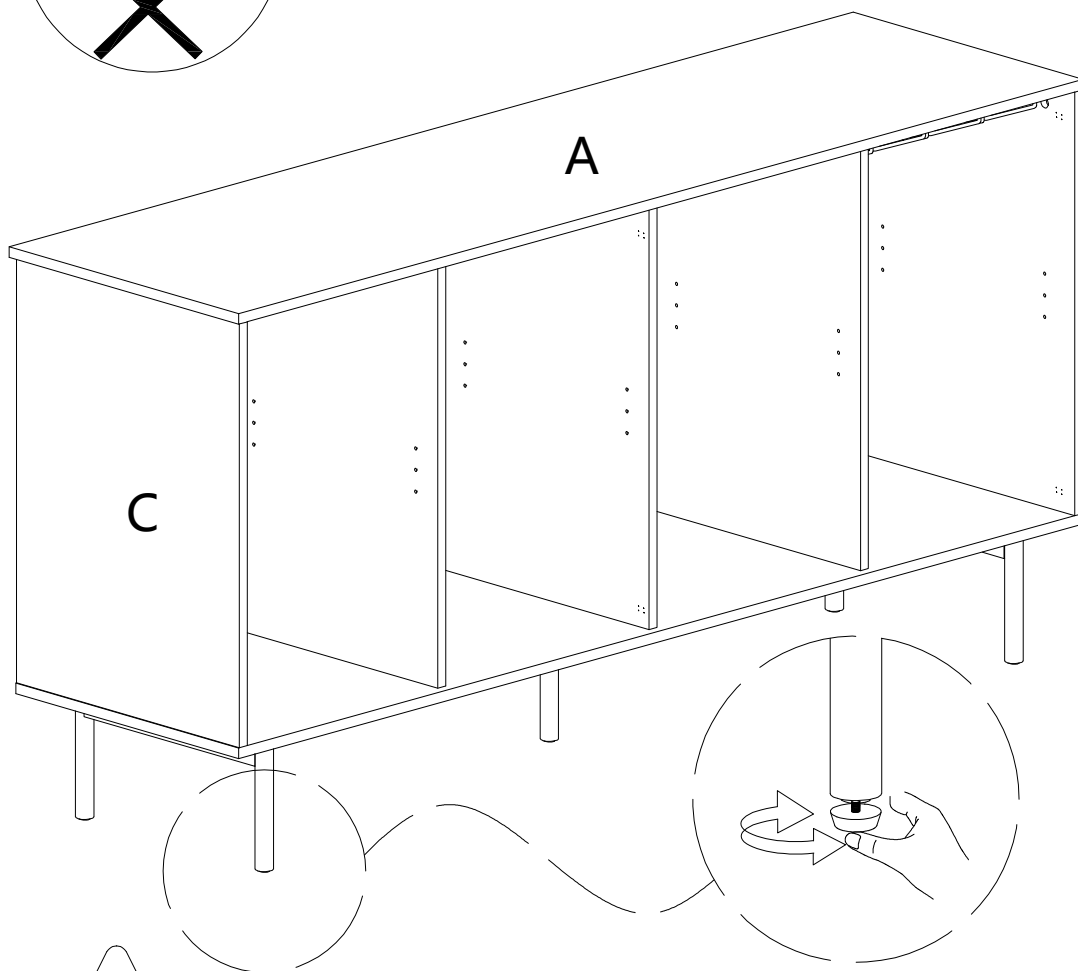
#21	x1
	

ASSEMBLY INSTRUCTIONS

STEP-9



Attention:
After installation, adjust the adjustable leveler to keep the cabinet balanced .
Be sure to check all packing material carefully for small parts, which may have come loose inside the carton during shipment.

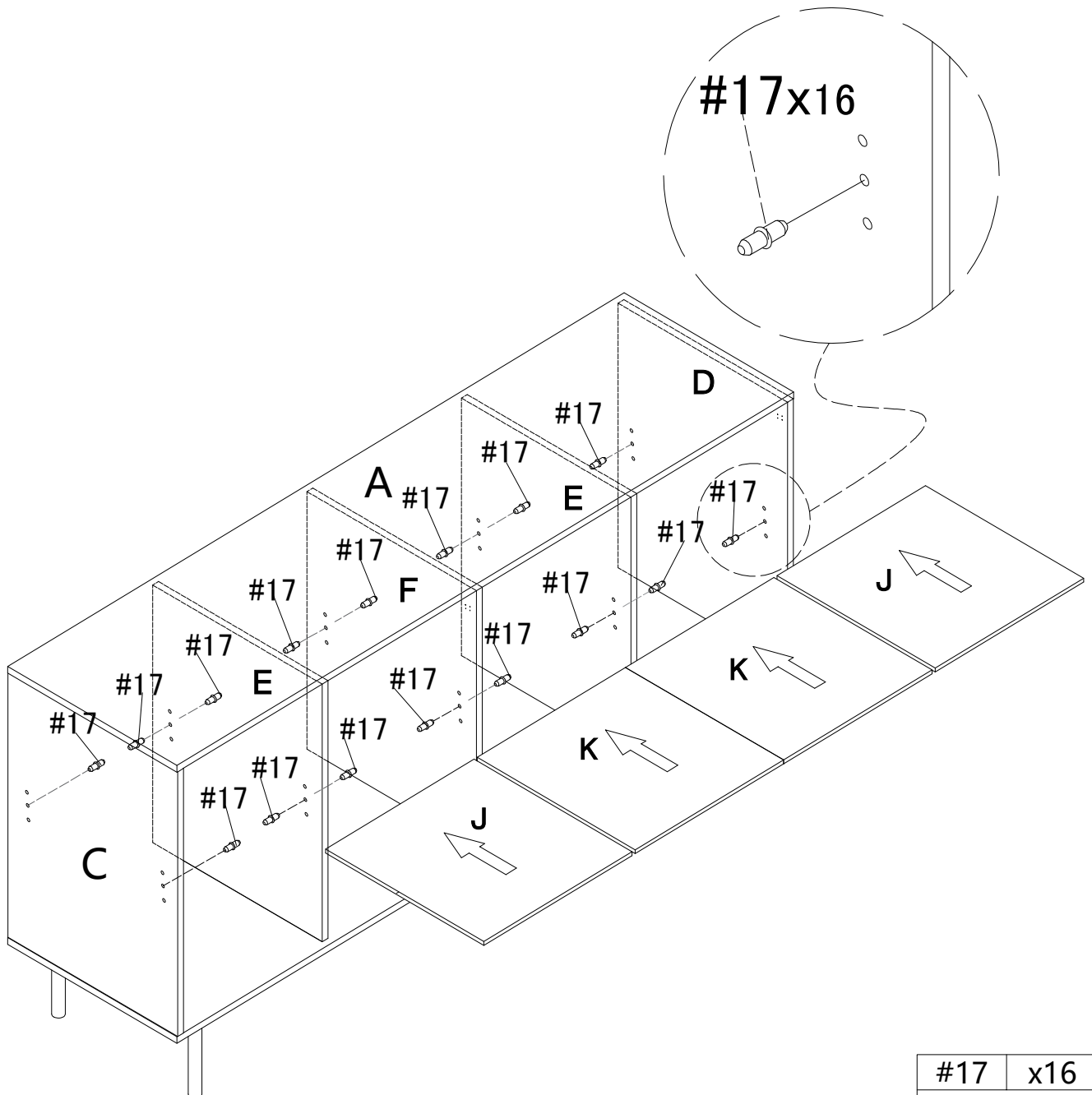


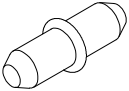
Attention:
Before the next step, adjust the feet of the locker to keep it level.

ASSEMBLY INSTRUCTIONS

STEP-10

Insert shelf holder #17 into the corresponding hole of panel(C)&(D)&(E)&(F) and then attach adjustable shelf (J) &(K) to it.

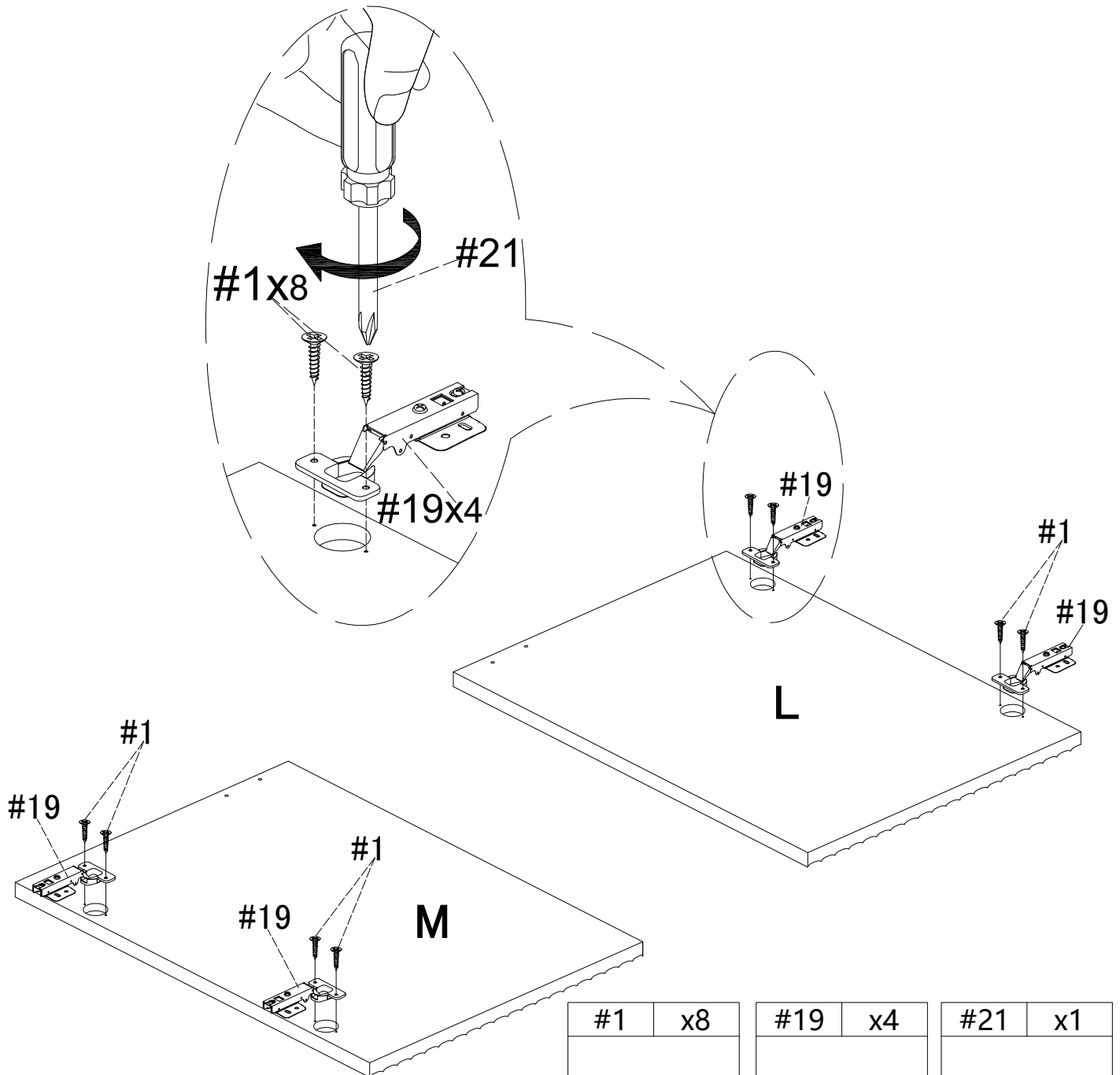


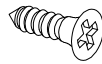
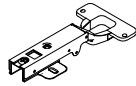
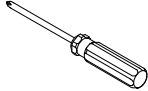
#17	x16
	

ASSEMBLY INSTRUCTIONS

STEP-11

Use screw #1 to attach hinge #19 to door (L)&(M), tighten screw #1 with screwdriver #21.

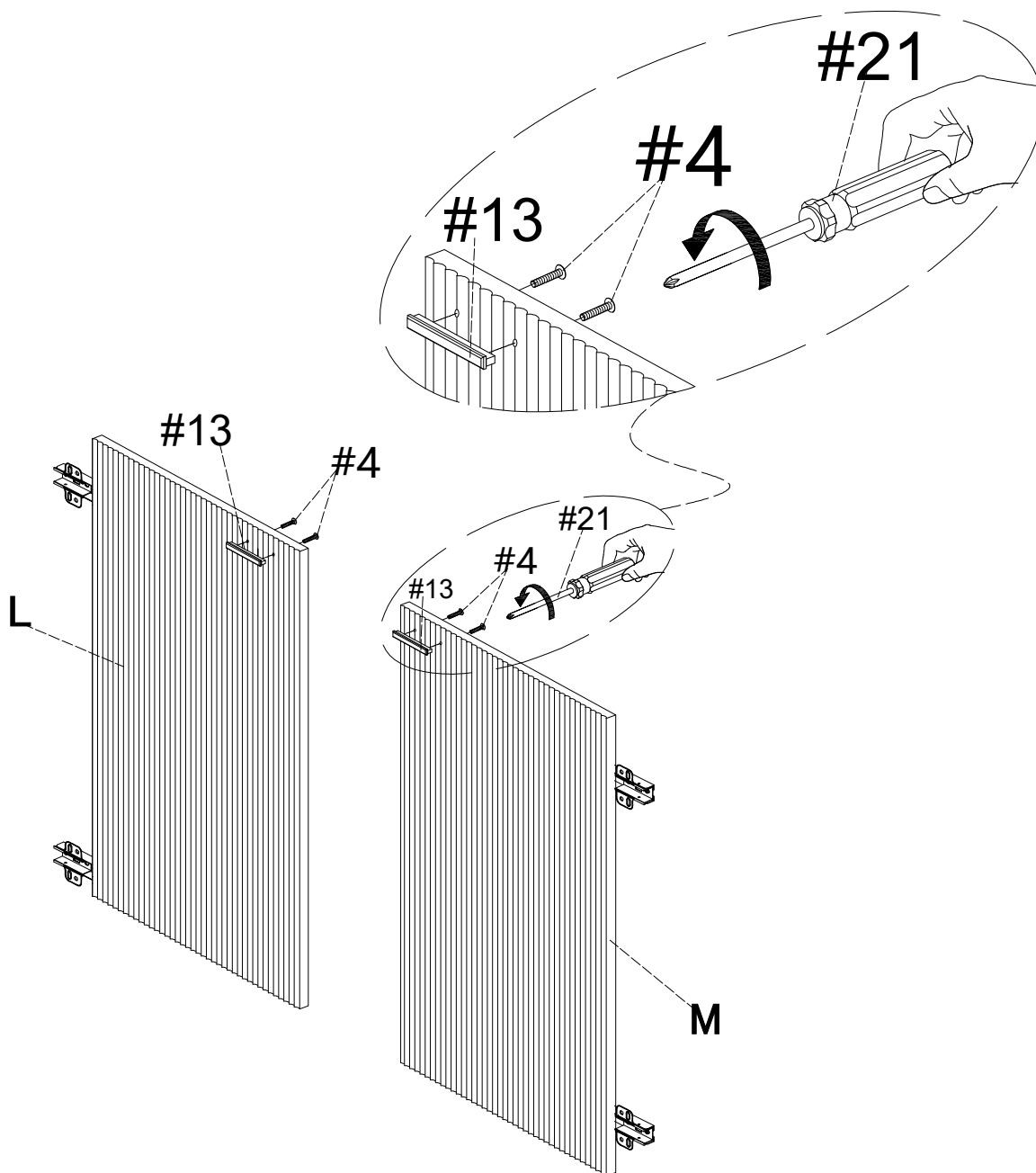


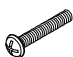
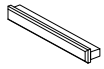
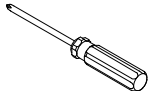
#1	x8	#19	x4	#21	x1
					
M3.5*14					

ASSEMBLY INSTRUCTIONS

STEP-12

Insert part #13 into the corresponding position of door (L)&(M), and then use screw #4 to attach part #13 to door (L)&(M), make sure all holes aligned and tighten screw #4 with screwdriver #21.

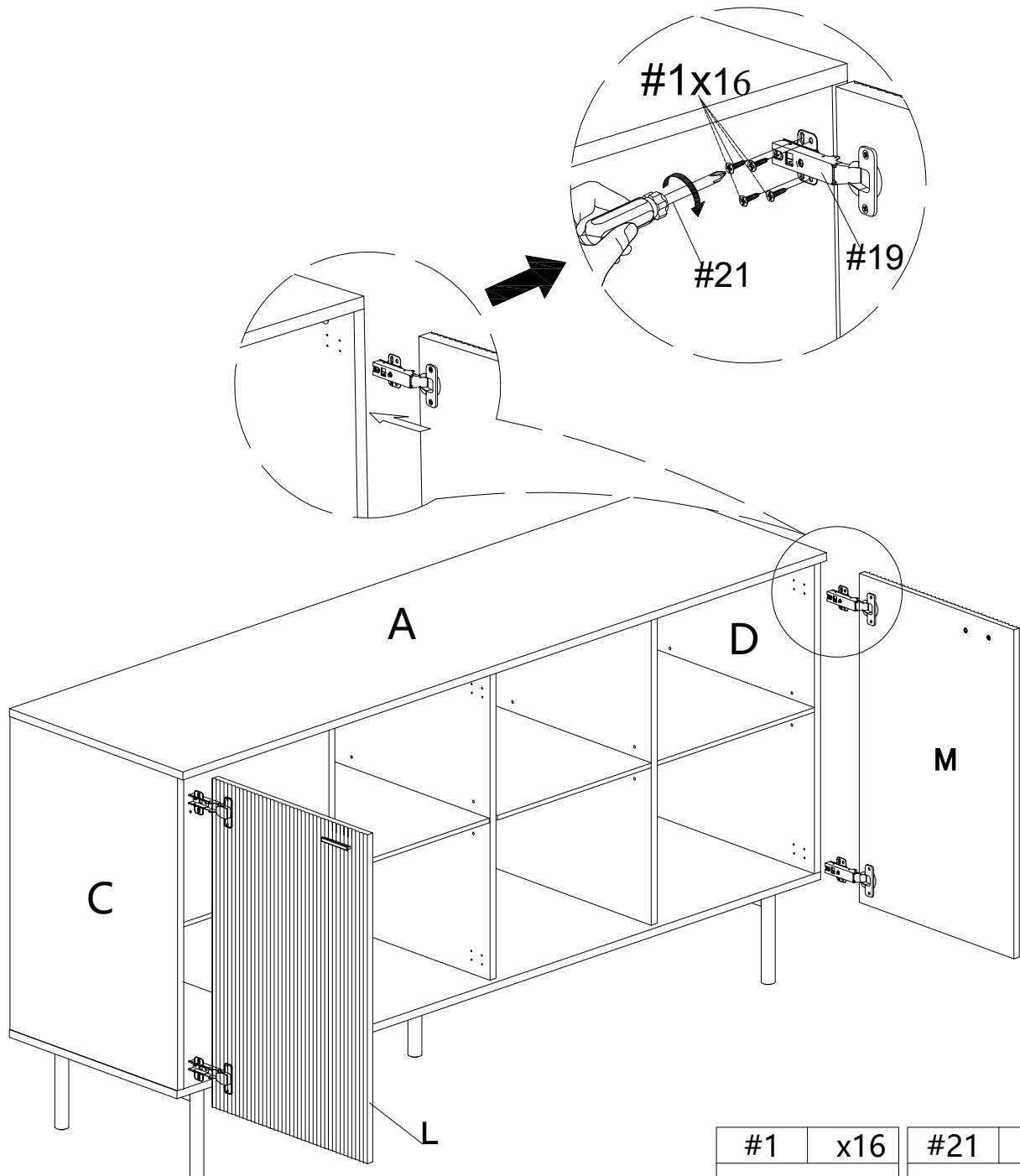


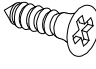
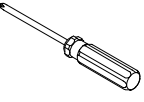
#4	x4	#13	x2	#21	x1
					

ASSEMBLY INSTRUCTIONS

STEP-13

Use screw #1 to attach preassemble door(M)&(L) to panel (D)&(C),tighten screw #1 with screwdriver #21.

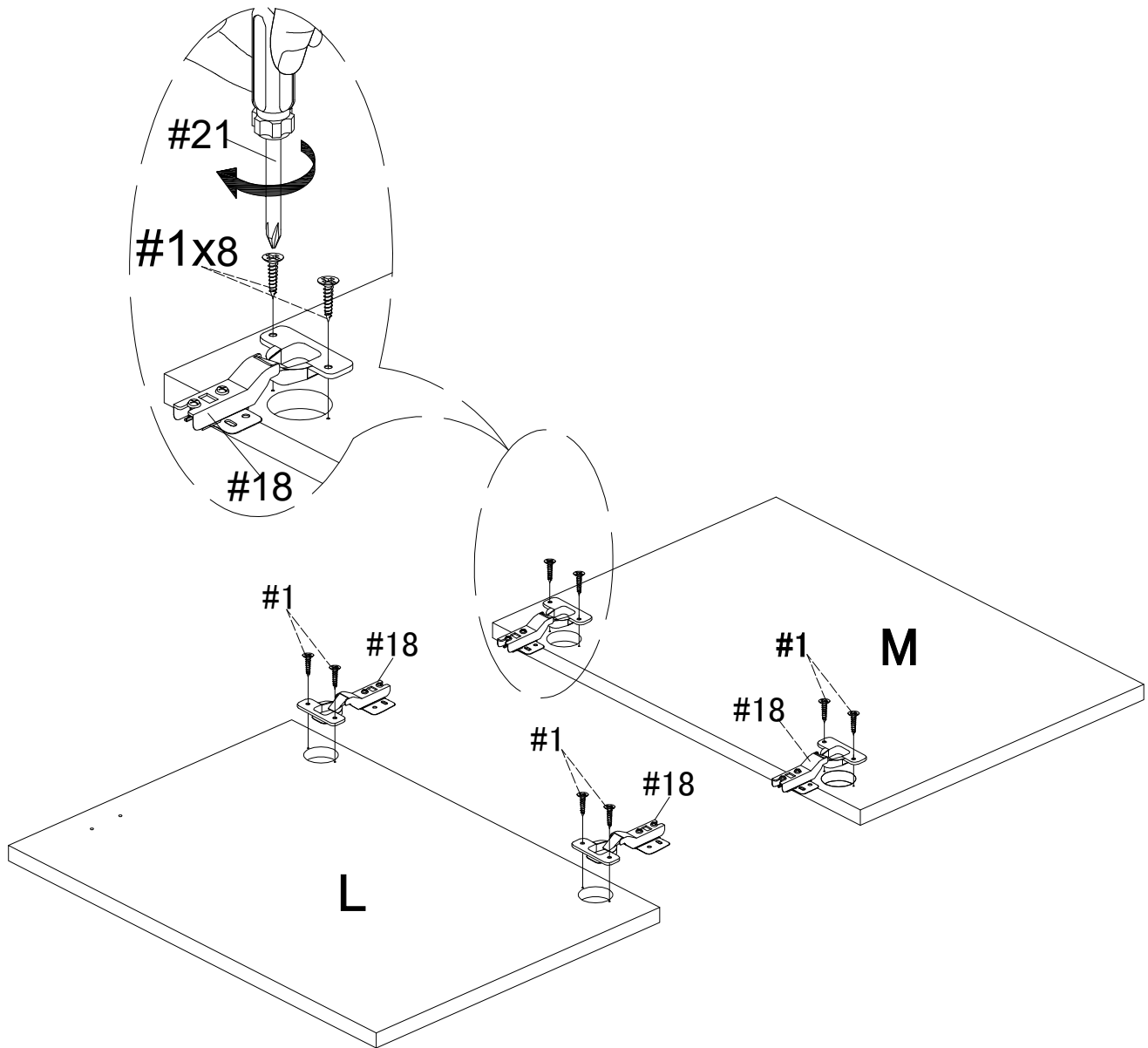


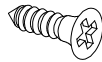

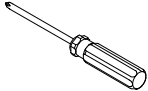
#1	x16	#21	x1
			
M3.5*14			

ASSEMBLY INSTRUCTIONS

STEP-14

Use screw #1 to attach hinge #18 to door (L)&(M), tighten screw #1 with screwdriver #21.

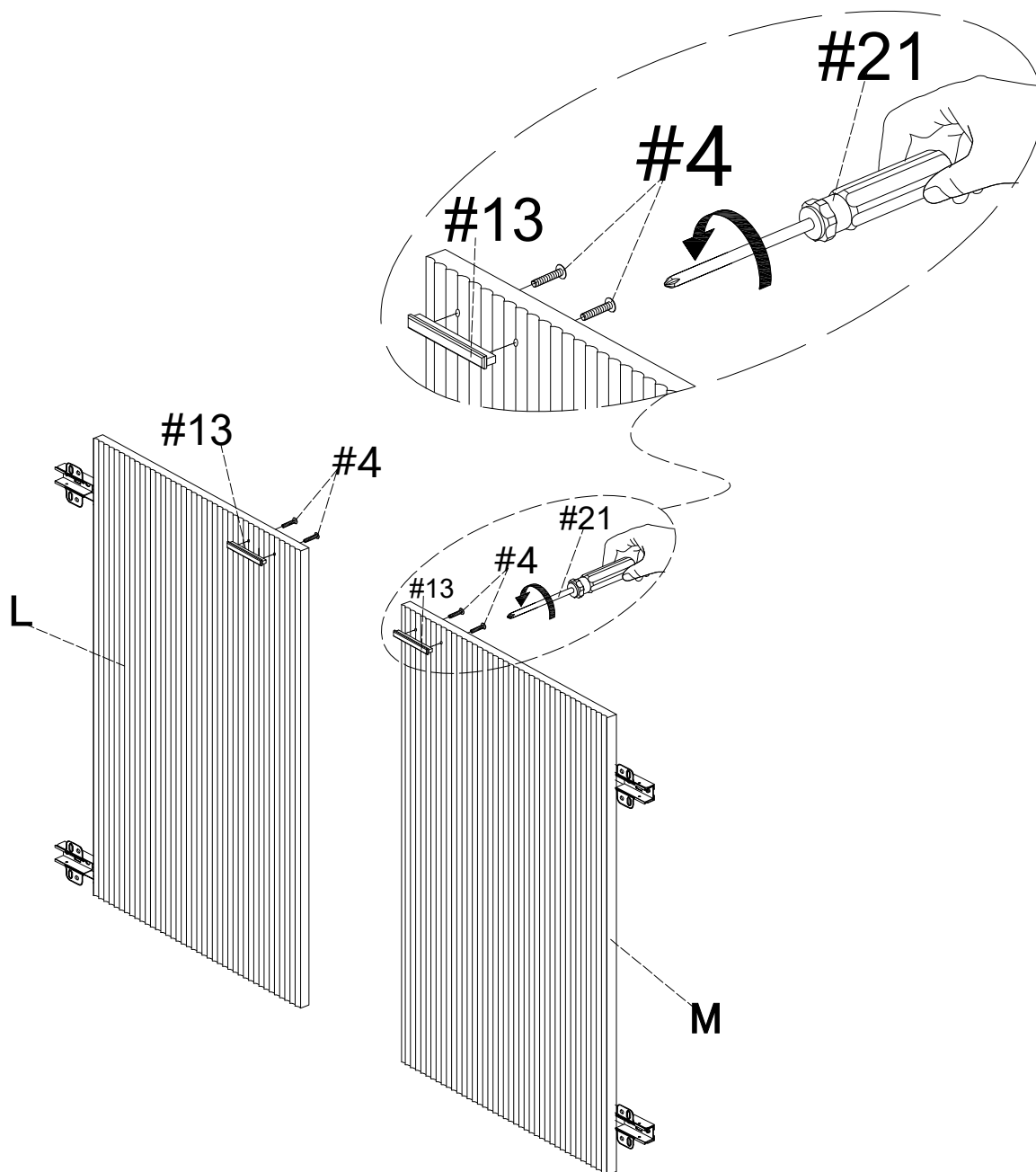


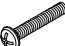
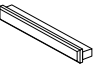
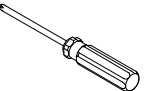
#1	x8	#18	x4	#21	x1
					
M3.5*14					

ASSEMBLY INSTRUCTIONS

STEP-15

Insert part #13 into the corresponding position of door (L)&(M), and then use screw #4 to attach part #13 to door (L)&(M), make sure all holes aligned and tighten screw #4 with screwdriver #21.

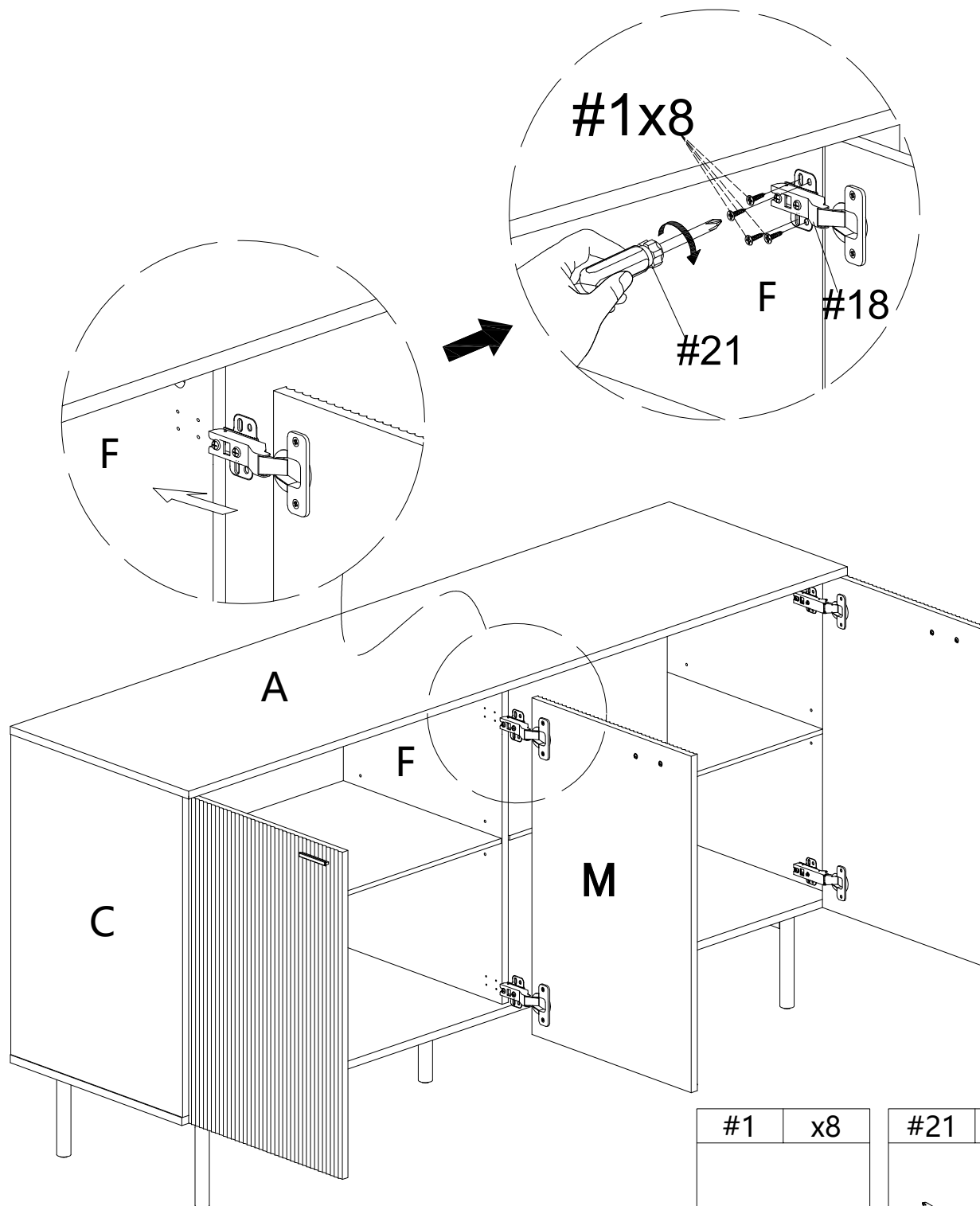



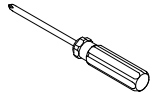
#4	x4	#13	x2	#21	x1
					

ASSEMBLY INSTRUCTIONS

STEP-16

Use screw #1 to attach preassemble door(M) to panel (F),tighten screw #1 with screwdriver #21.

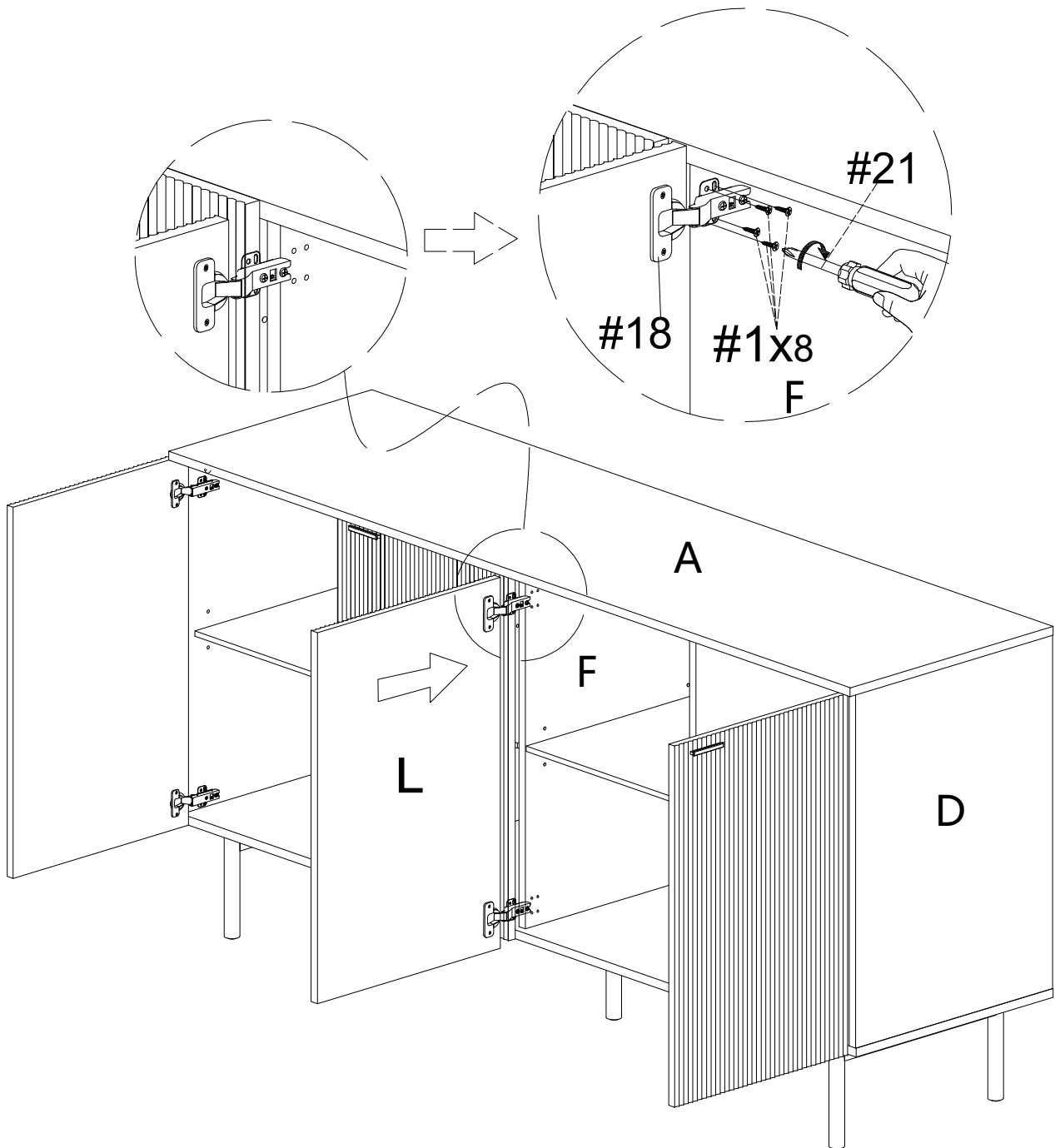


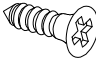
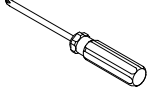
#1	x8	#21	x1
			
M3.5*14			

ASSEMBLY INSTRUCTIONS

STEP-17

Use screw #1 to attach preassembly door(L) to panel (F), tighten screw #1 with screwdriver #21.

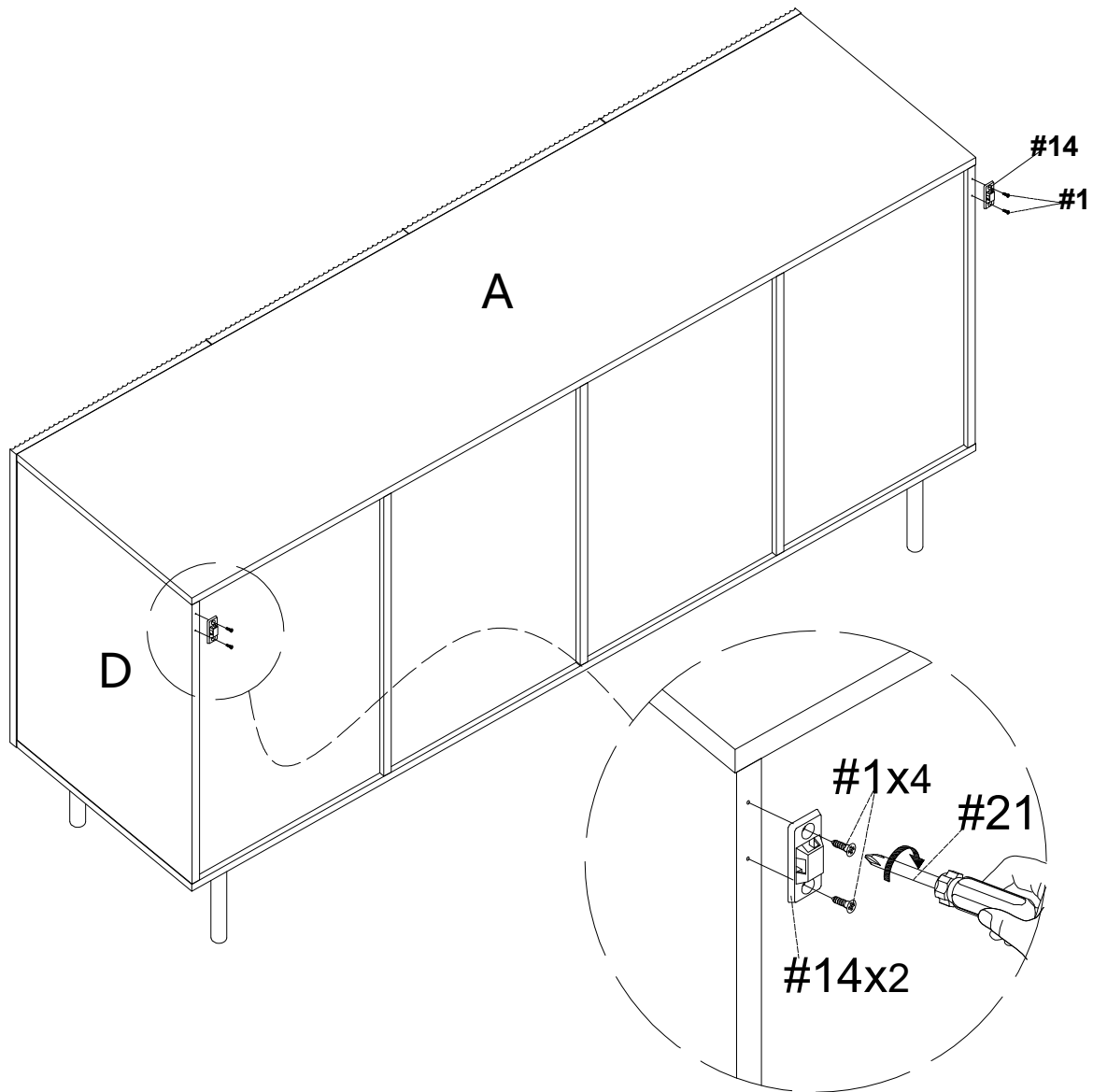


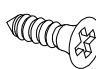
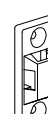
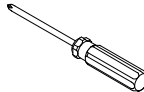
#1	x8	#21	x1
			
M3.5*14			

ASSEMBLY INSTRUCTIONS

STEP-18

Use screw #1 to attach plastic bracket #14 to panel (C)&(D), tighten screw #1 with screwdriver #21.

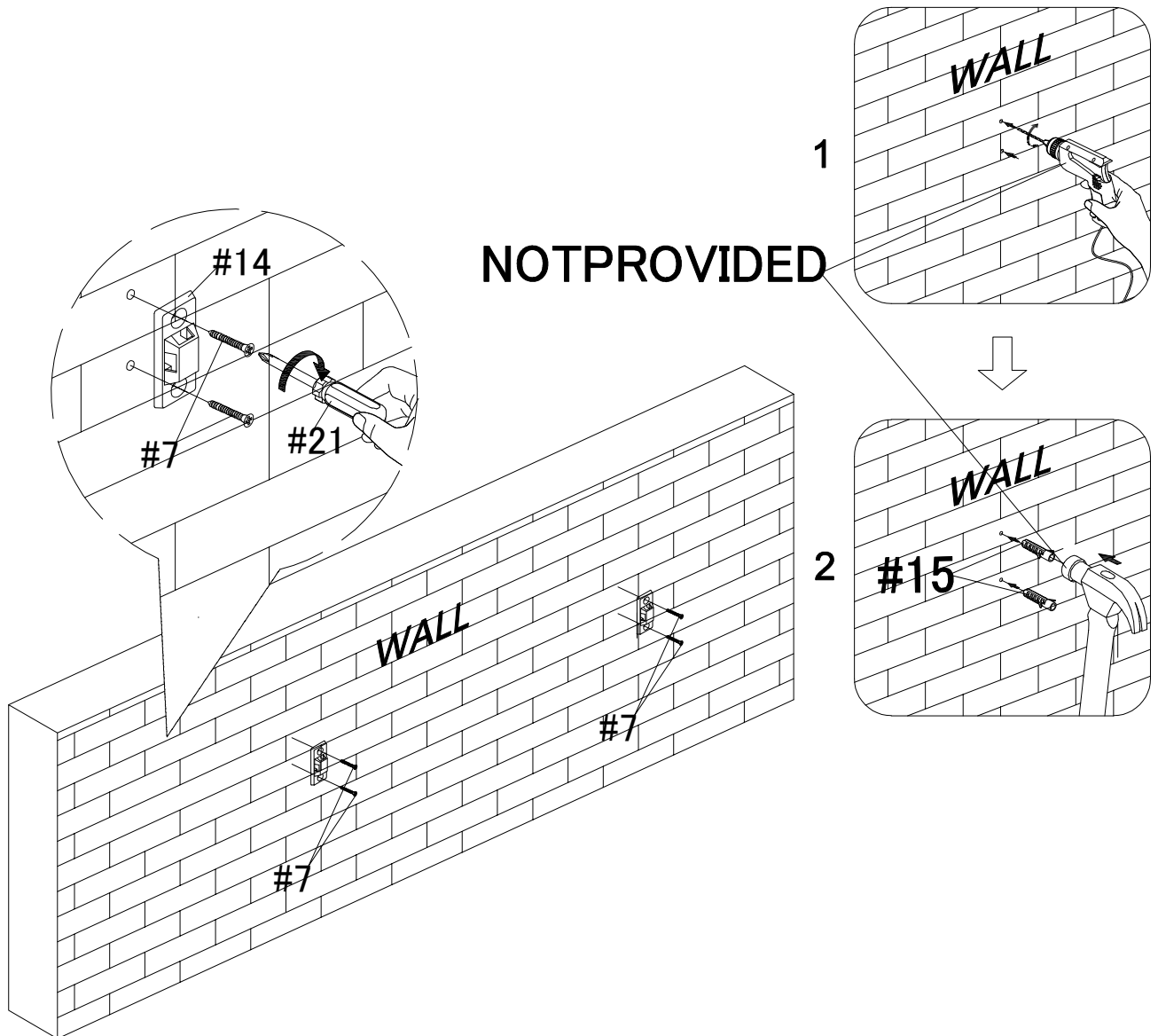



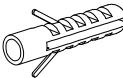
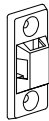
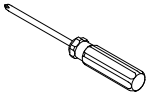
#1	x4	#14	x2	#21	x1
					
M3.5*14					

ASSEMBLY INSTRUCTIONS

STEP-19

1. Mark the position on the wall, that corresponds to the location of bracket #14 on the side panel (C)&(D); Drill and insert the expandable screw #15 by hammer.
2. Assemble the bracket #14 to the wall. Align the hole in the bracket #14 with the expandable screw #15, use screw #7 to attach it, tighten screw #7 with screwdriver #21.

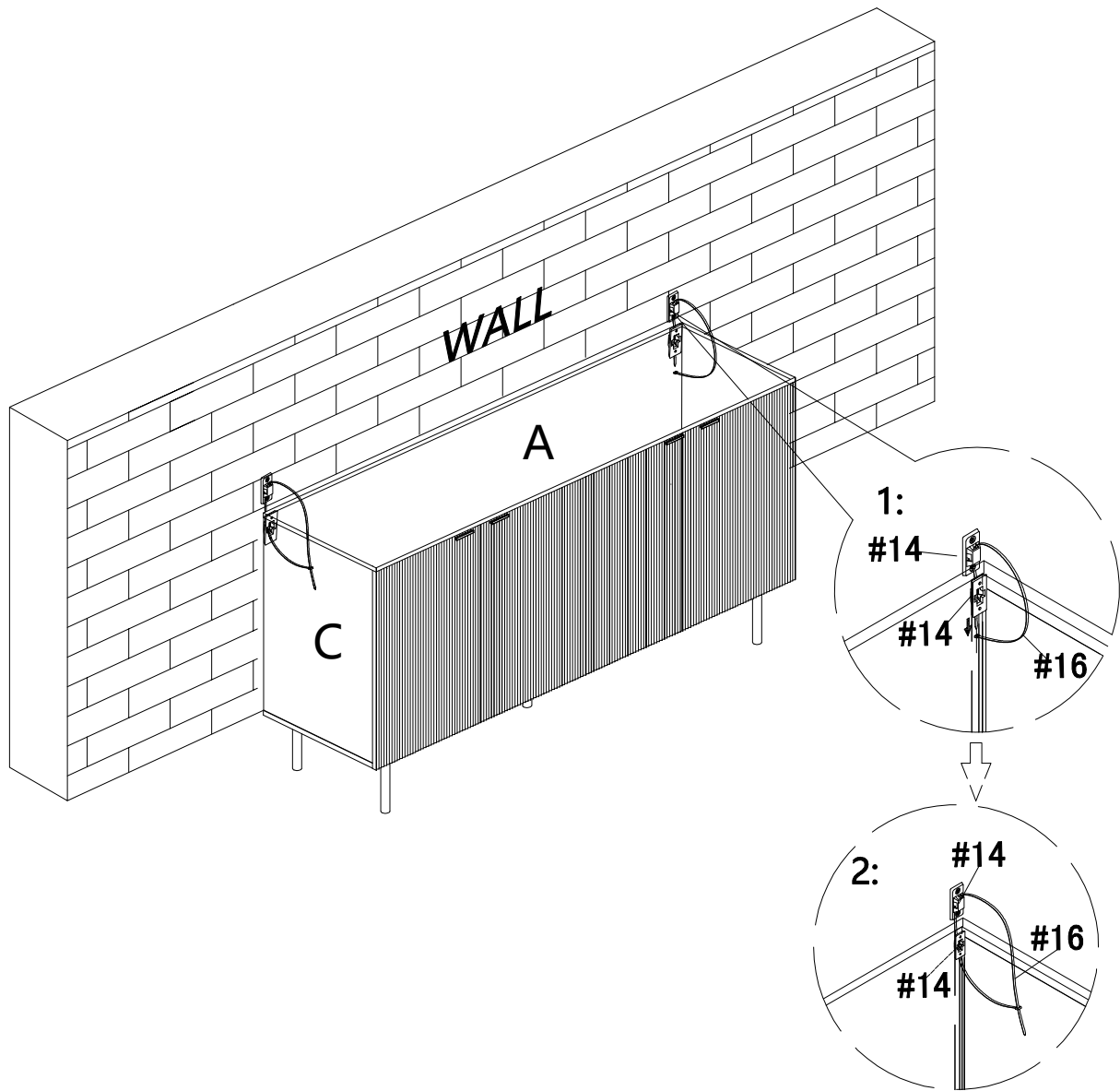


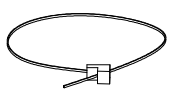
#7	x4	#15	x4	#14	x2	#21	x1
							
M4*35							

ASSEMBLY INSTRUCTIONS

STEP-20

3. Let the plastic belt #16 pass through bracket #14 and pull tightly.



#16	x2
	

WARRANTY

1. We strive to offer high-quality products, and we also try our best to satisfy each and every customer that orders from us with product or service as needed.
2. We provide 30 days warranty starting from the time you receive the item. Each customer must provide a record of their order such as the order number, or item receipt for any items that are out of the warranty period you may also still receive.
3. Replacement parts by purchasing them with our company if they are available.