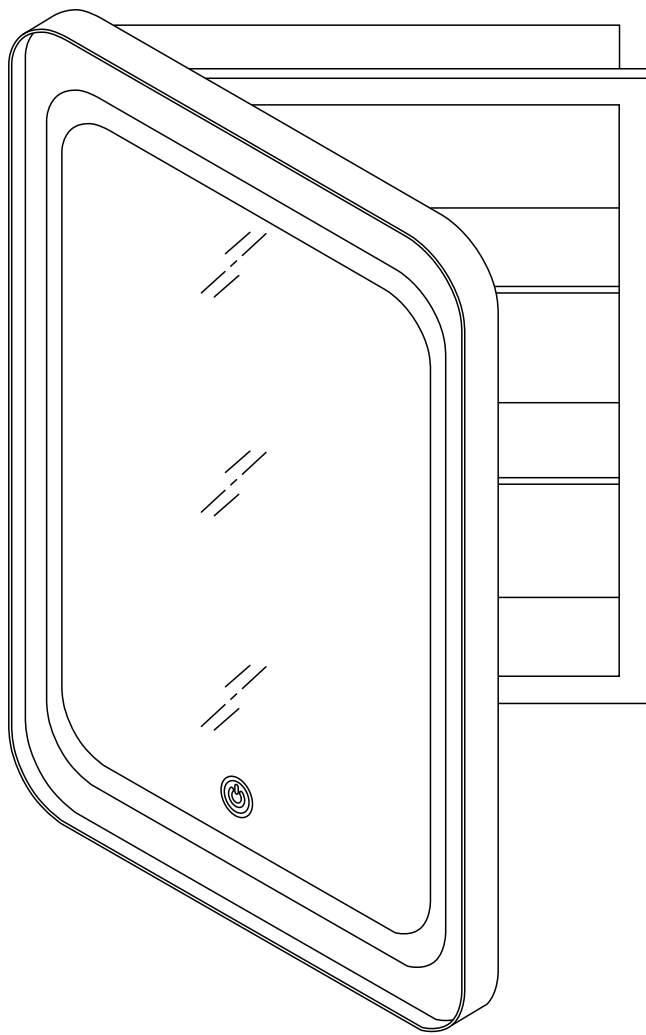


# Installation Instruction



Product name

---

**Mirror Cabinet**

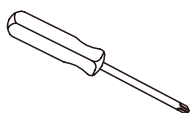
Ver.1.0 20240802

# Assembling

---

## What you need

- Use the packaging carton as a working surface to prevent product damage during assembly
- Phillips head screwdriver



# What's included

---

Code	Description	Qty
A	Screw M4X40MM	6
B	Anchor M6X30MM	6
C	Power Cord Plug	1
D	Metal Washer	6
E	Rubber Plug	8
F	Glass Shelf	2

## Weight Limitation



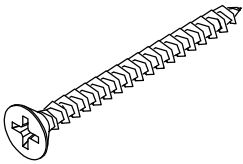
**11**  
lbs per glass shelf



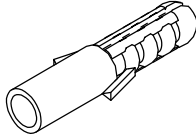
2 PERSONS

# The Hardwares

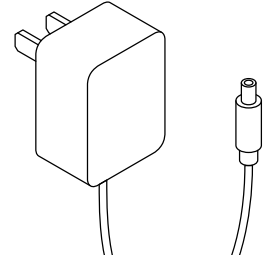
(A)



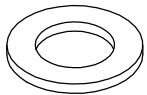
(B)



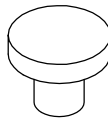
(C)



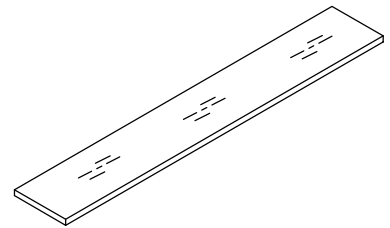
(D)



(E)



(F)



## IMPORTANT:

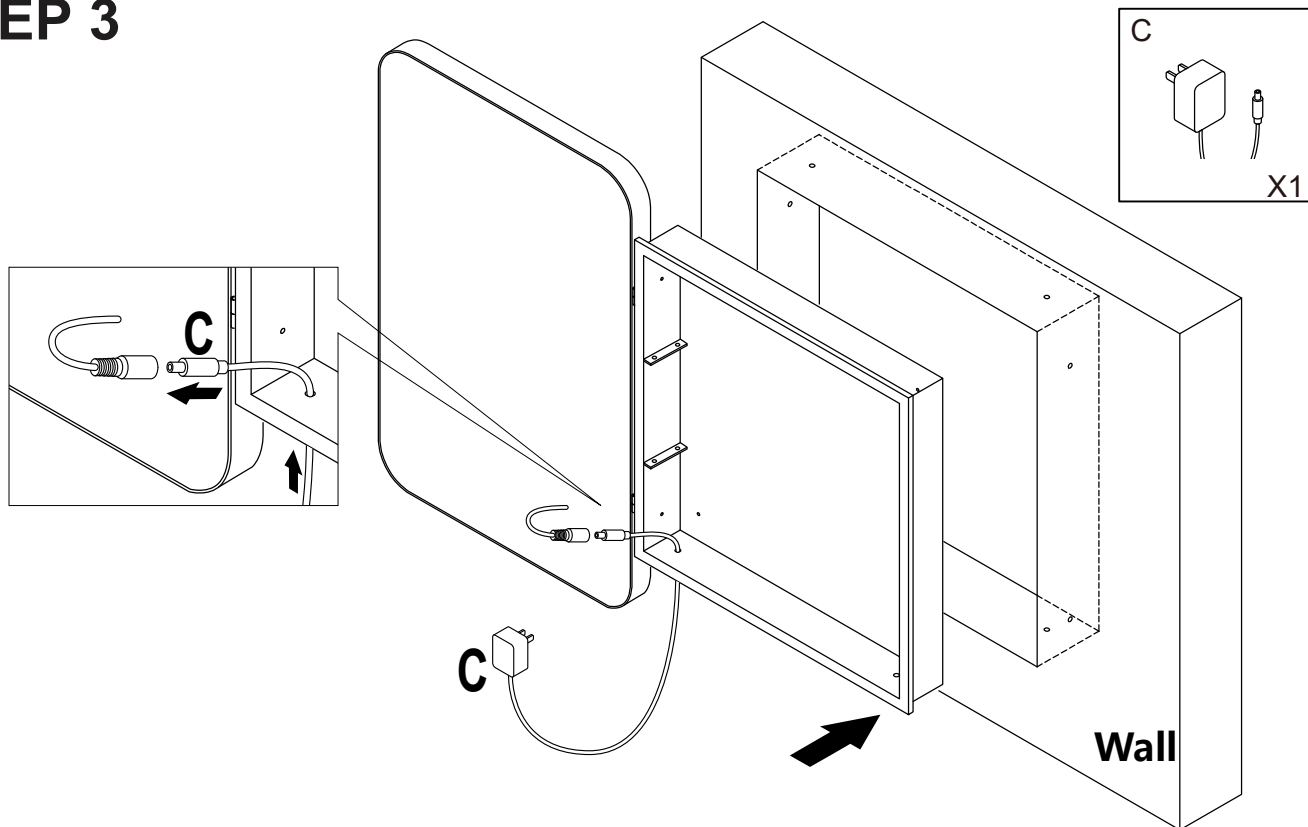
1. Do not tighten bolts / screws completely until all bolts / screws are lined up and inserted into holes.
2. Do not over tighten screws and bolts to avoid stripping.
3. Please use hand tools to assemble this product. Do not use power tools.
4. Must need 2 people to assemble this product.



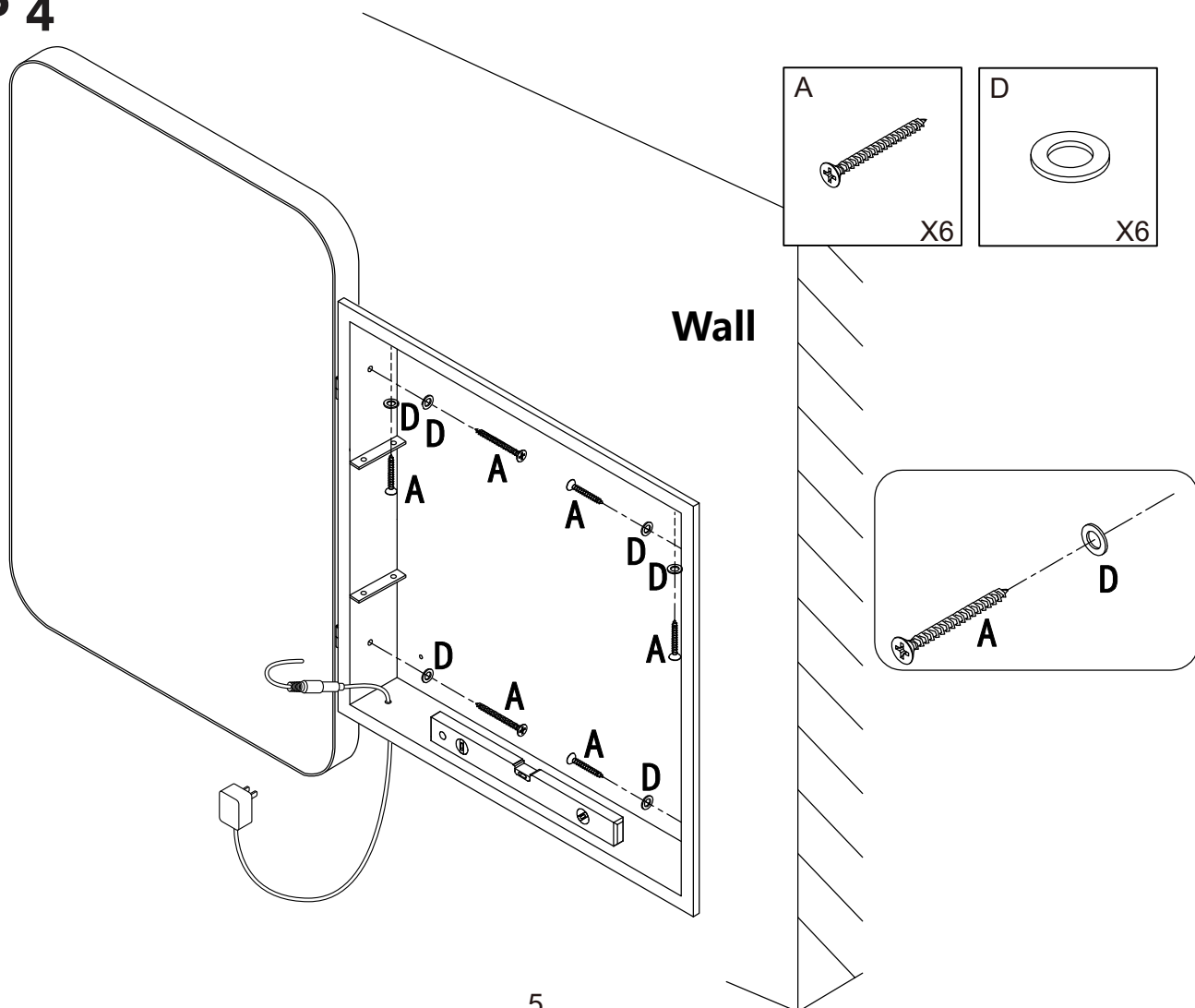
2 PERSONS



# STEP 3



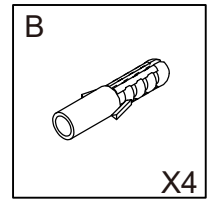
# STEP 4



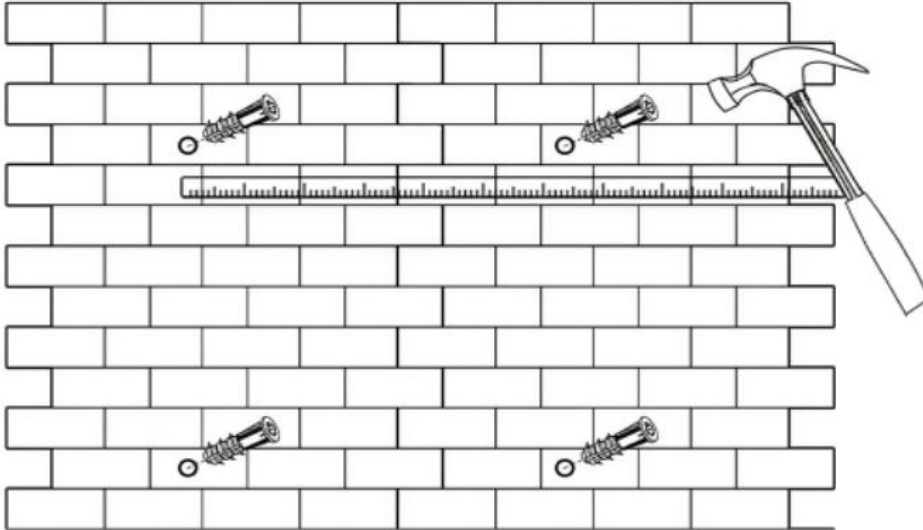
# Option 2

## Surface Installation On Wall

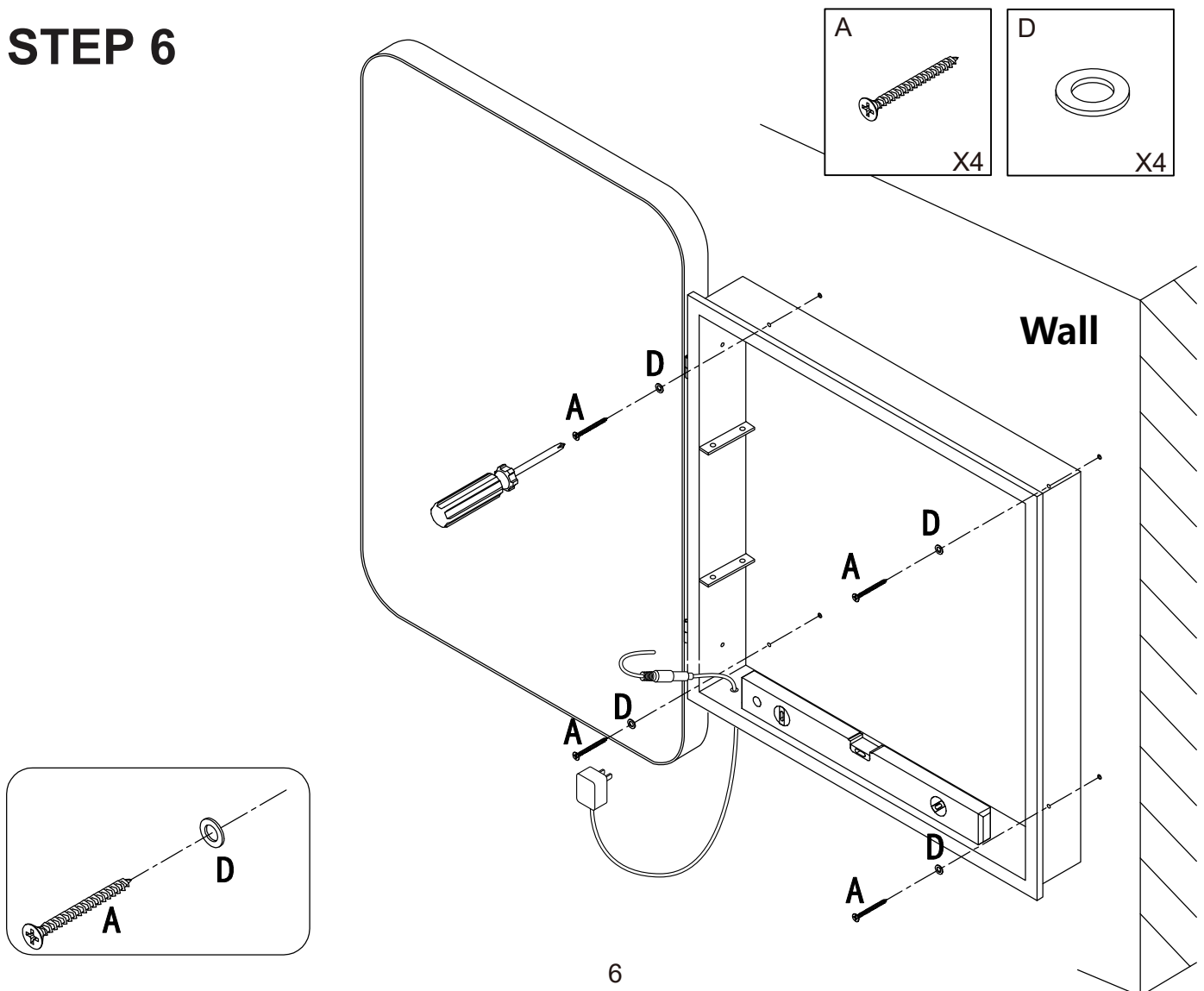
Mark four (4) mounting holes on the wall corresponding to the pre-drilled hole locations in the mounting bars on the inside back panel of the cabinet.



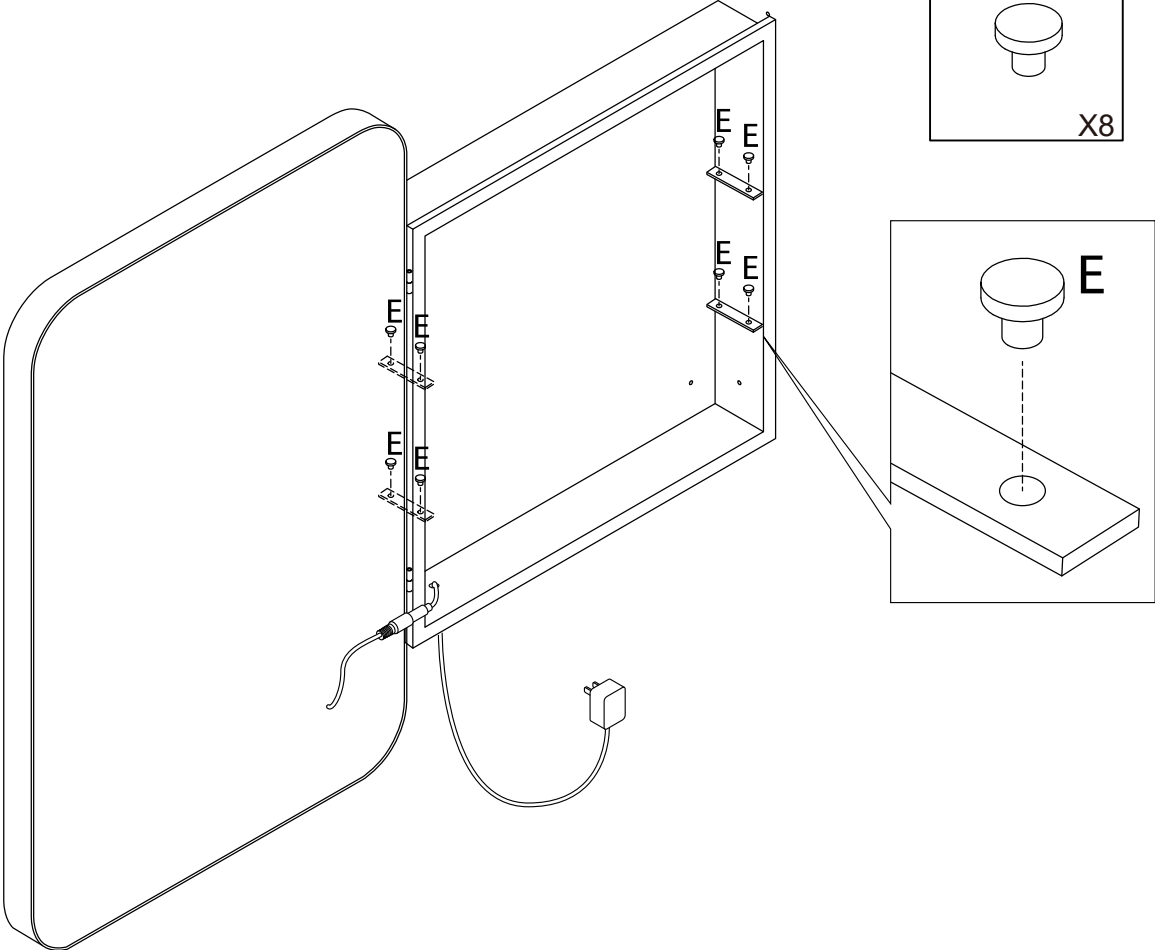
### STEP 5



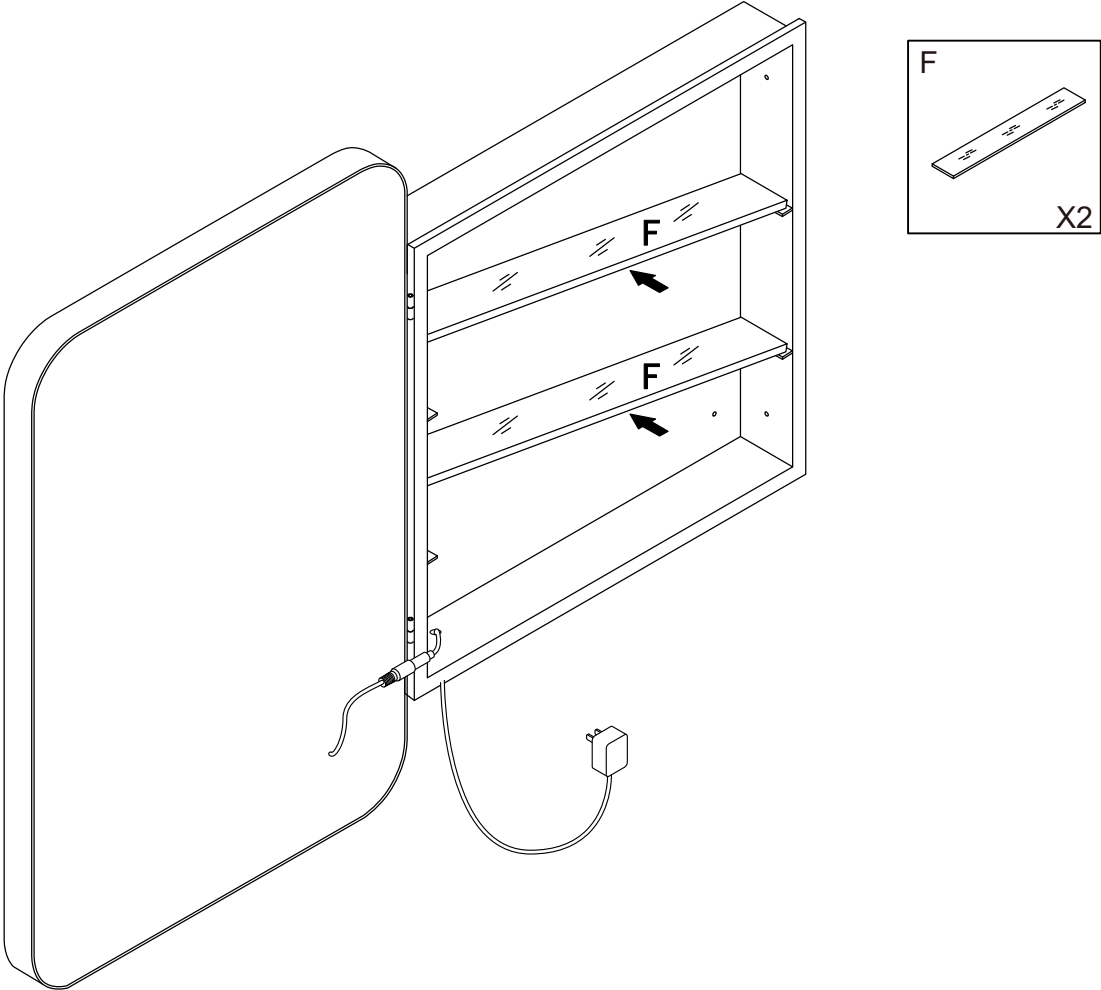
### STEP 6



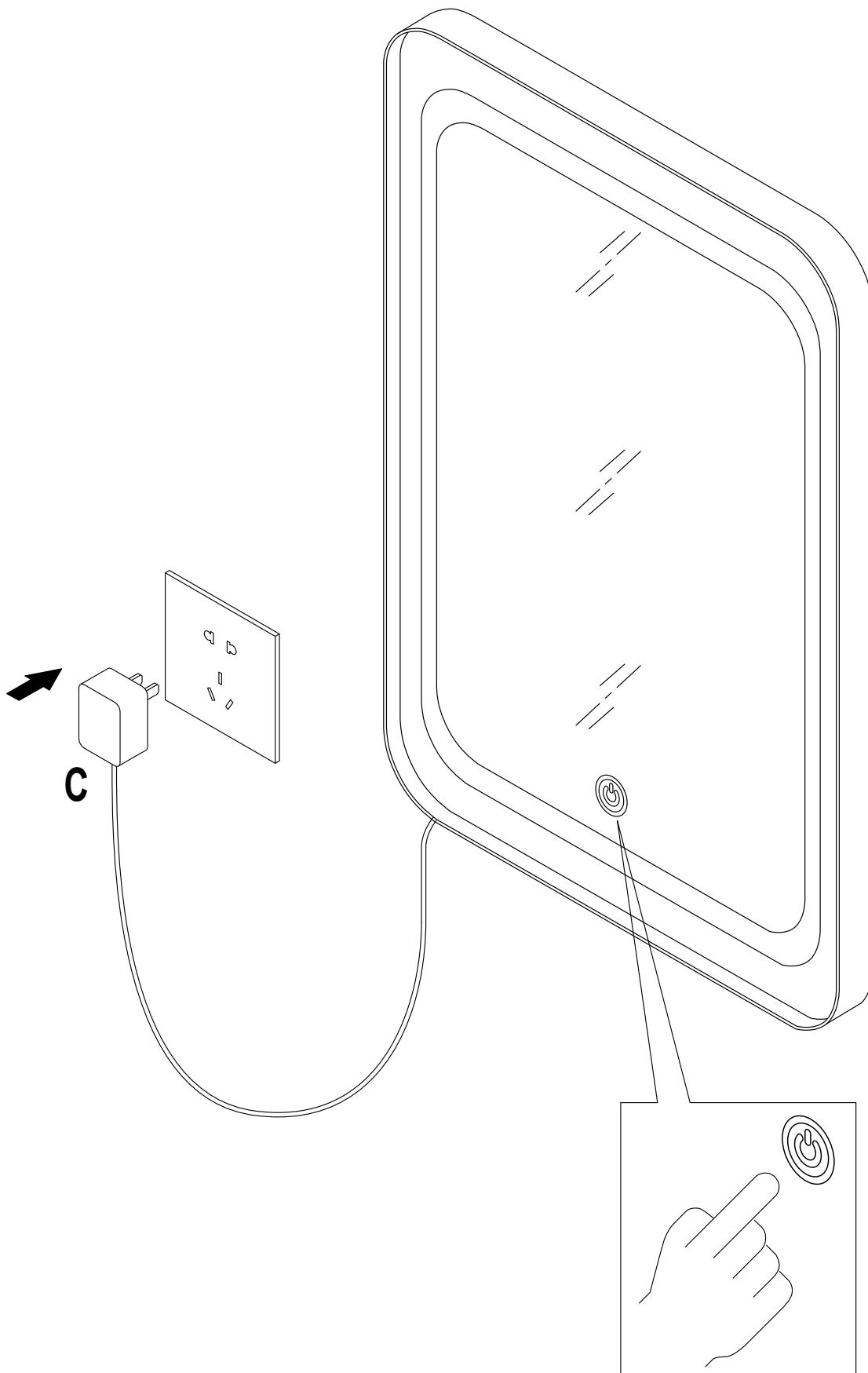
# STEP 7



# STEP 8



# STEP 9



# Proper Use

- DO NOT** use for commercial purposes
- DO NOT** use as a step stool or stand on table
- DO NOT** put hot serving liquid directly on the table top
- DO NOT** leave spilled liquid on the table top
- DO NOT** use table if damaged
- DO NOT** exceed weight limit
- DO NOT** make temporary repairs
- DO NOT** use outdoor

Dear Customer:

Thank you for purchasing our product,we wish you satisfy our service,if you have any further questions or any quality issues,please show the belows number and don't hesitate to contact our Customer Service People:

**W688202409**