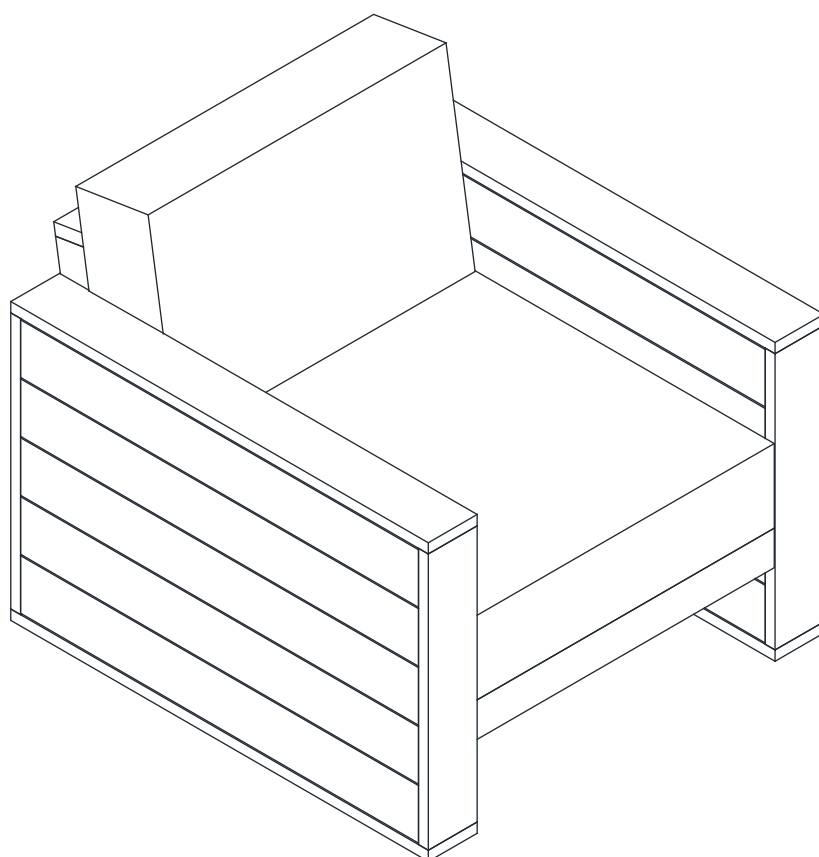


# SANTIAGO EUCALYPTUS PATIO CHAIR

DESIGN # CPT1050

Assembly Instructions



**SAFAVIEH**  
C O U T U R E

---

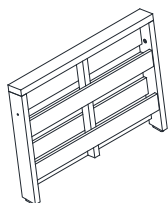
## Thanks for bringing Safavieh Couture into your home

Everything We make is incredibly simple to set up, including your new dining chair. You won't need any additional tools.

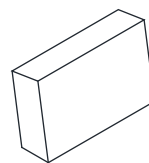
### Parts & hardware

**A x 1**

Frame back

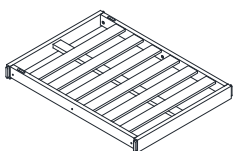


**CSH 1 x 1**  
Back Cushion

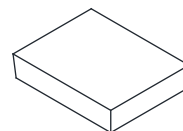


**B x 1**

Frame Seat

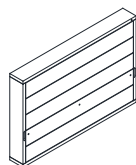


**CSH 2 x 1**  
Seat Cushion



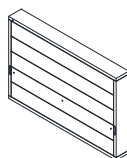
**C x 1**

Frame Leg 1



**D x 1**

Frame Leg 2



---

**HW1 x 8**  
Allen Bolt: M6x0.5x40 mm



M6x40

**HW2 x 1**  
Allen key

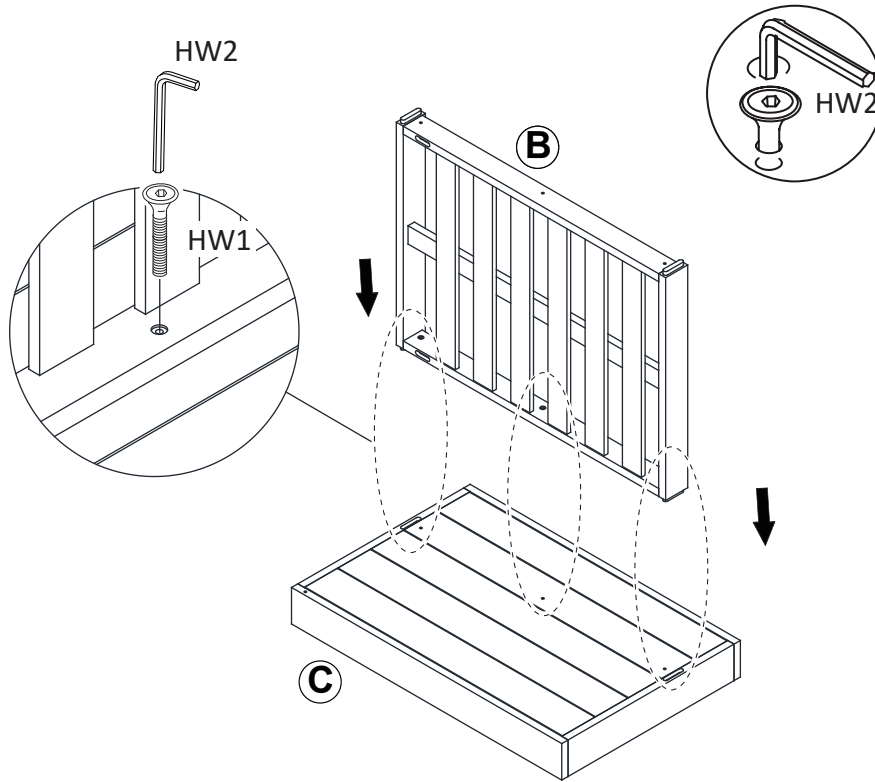


LG4

---

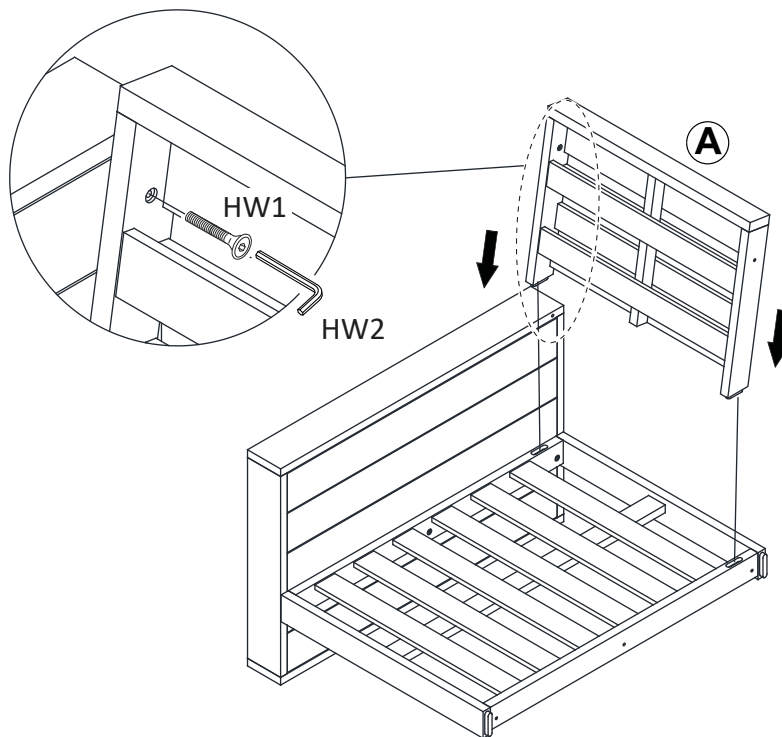
---

1  
Attach Frame Leg 1 (C) to Frame Seat (B) ,use Bolt (HW1)  
tighten with allen key (HW2).



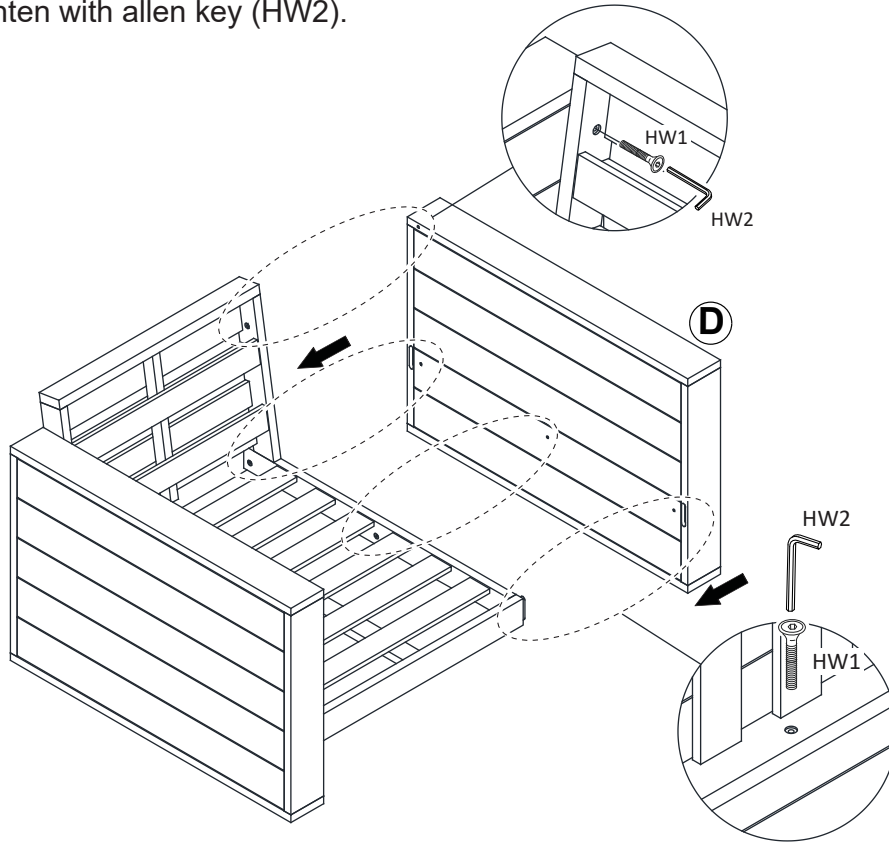
---

2  
Attach Frame Back (A) to Frame Seat (B) ,use Bolt (HW1)  
tighten with allen key (HW2).



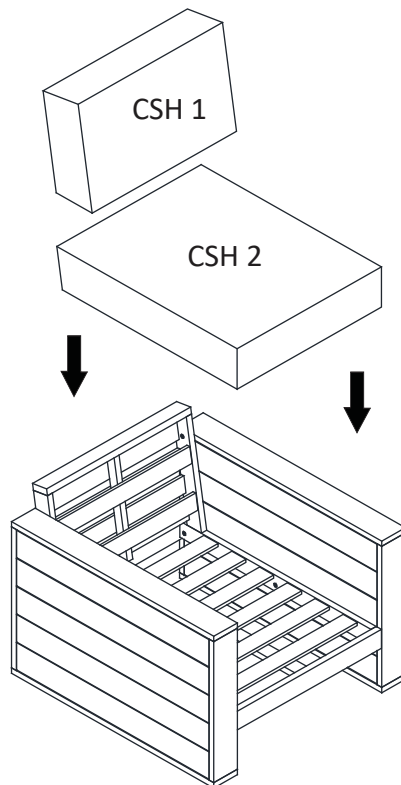
3

Attach Leg 2 (D) to Frame Seat (B) and Frame Back (A) ,use Bolt (HW1) tighten with allen key (HW2).



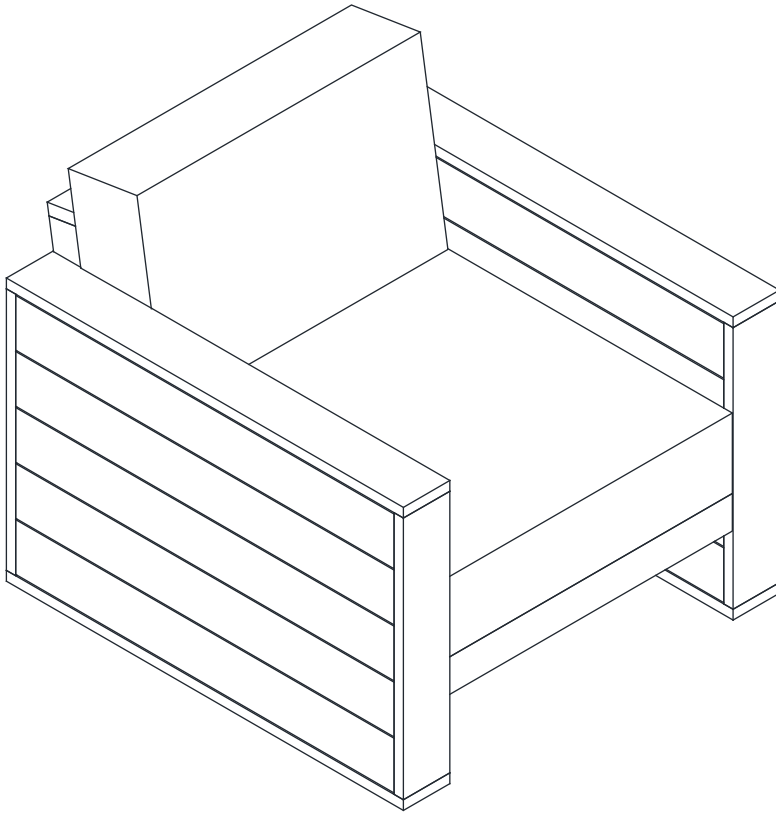
4

Attach cushion (CSH1,CSH2) in chair .



---

5  
Complete.



**Need help?**

Feel free to contact us via email or call  
If you have any specific question!

**Contact us:**

CS@safavieh.com  
866-422-9070