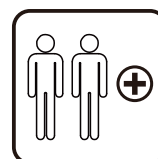
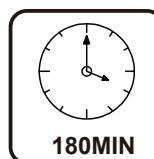
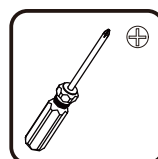
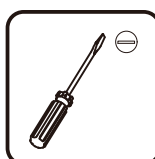
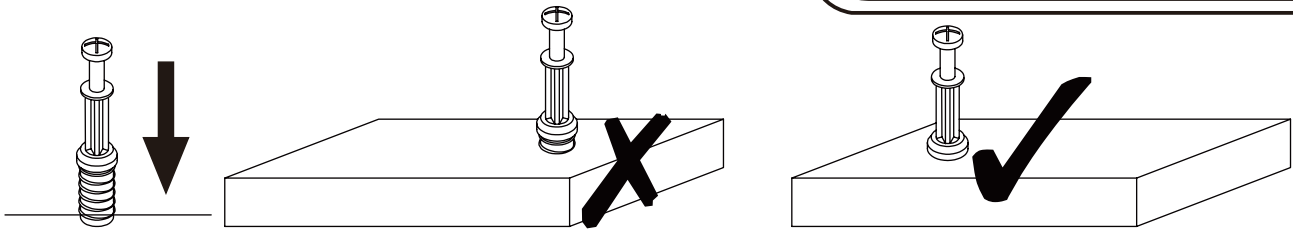


# *Installation & Assembly*

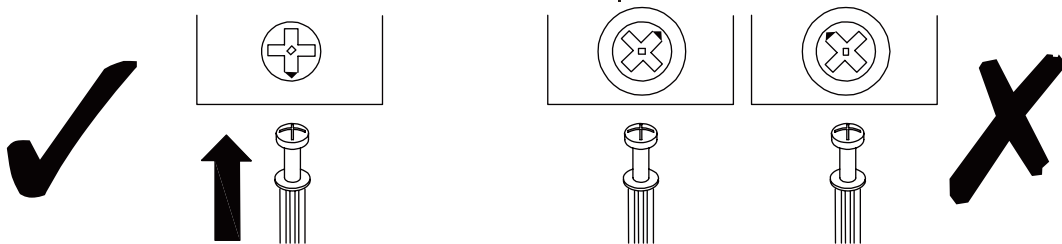


**EN\_IMPORTANT, RETAIN FOR FUTURE REFERENCE: READ CAREFULLY.**

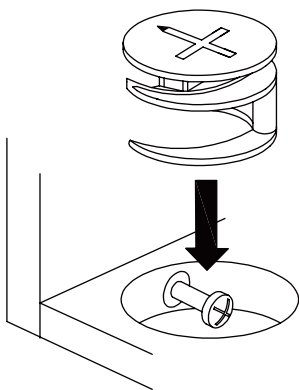
## USING CAM LOCK AND QUICKFIT



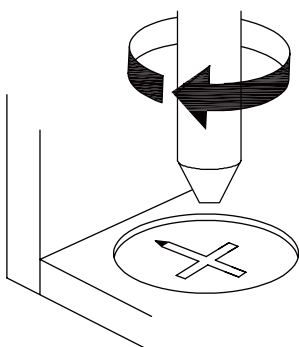
**EN\_QUICKFIT:** Tighten quickfit until shoulder is flush with panel. Do not overtighten or undertighten.



**EN\_CAM LOCK:** When fitting cam lock, ensure starting position is correct before you insert connecting quickfit.

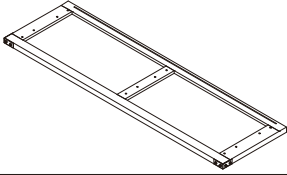
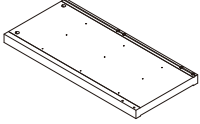
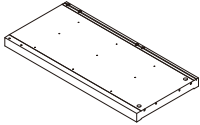
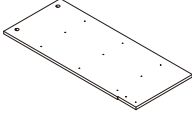
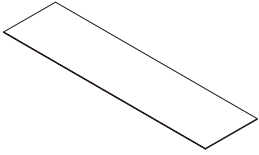
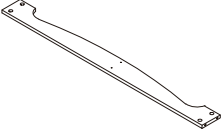
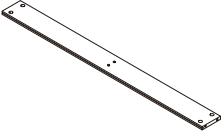
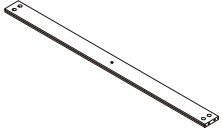
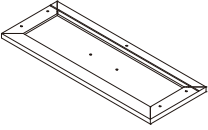
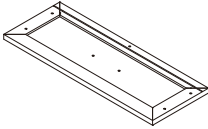


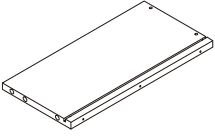
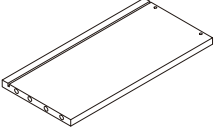
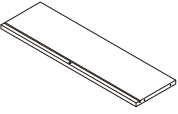
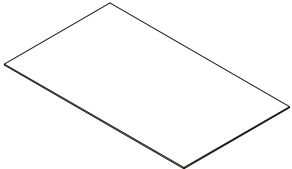
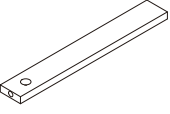
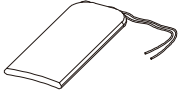
**EN\_Quickfit** head should be in the centre of the cam lock when the two panels are joined.  
Cam lock should be inserted before quickfit.

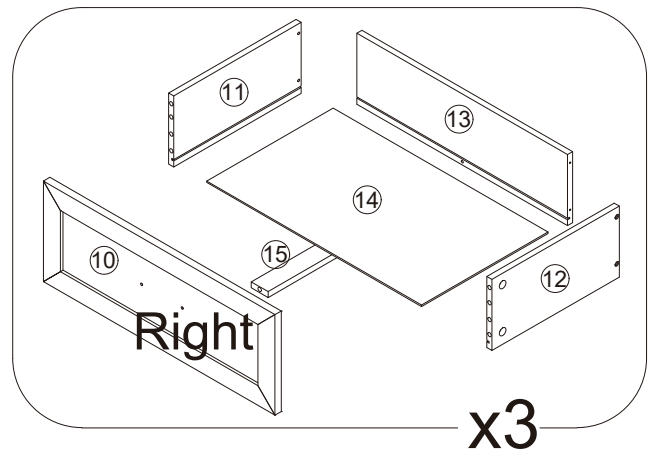
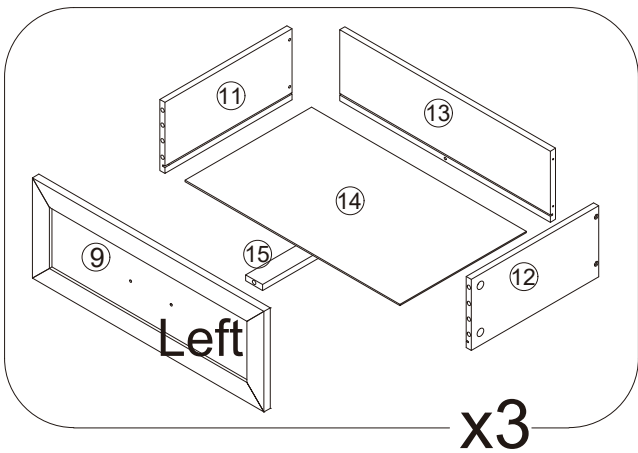
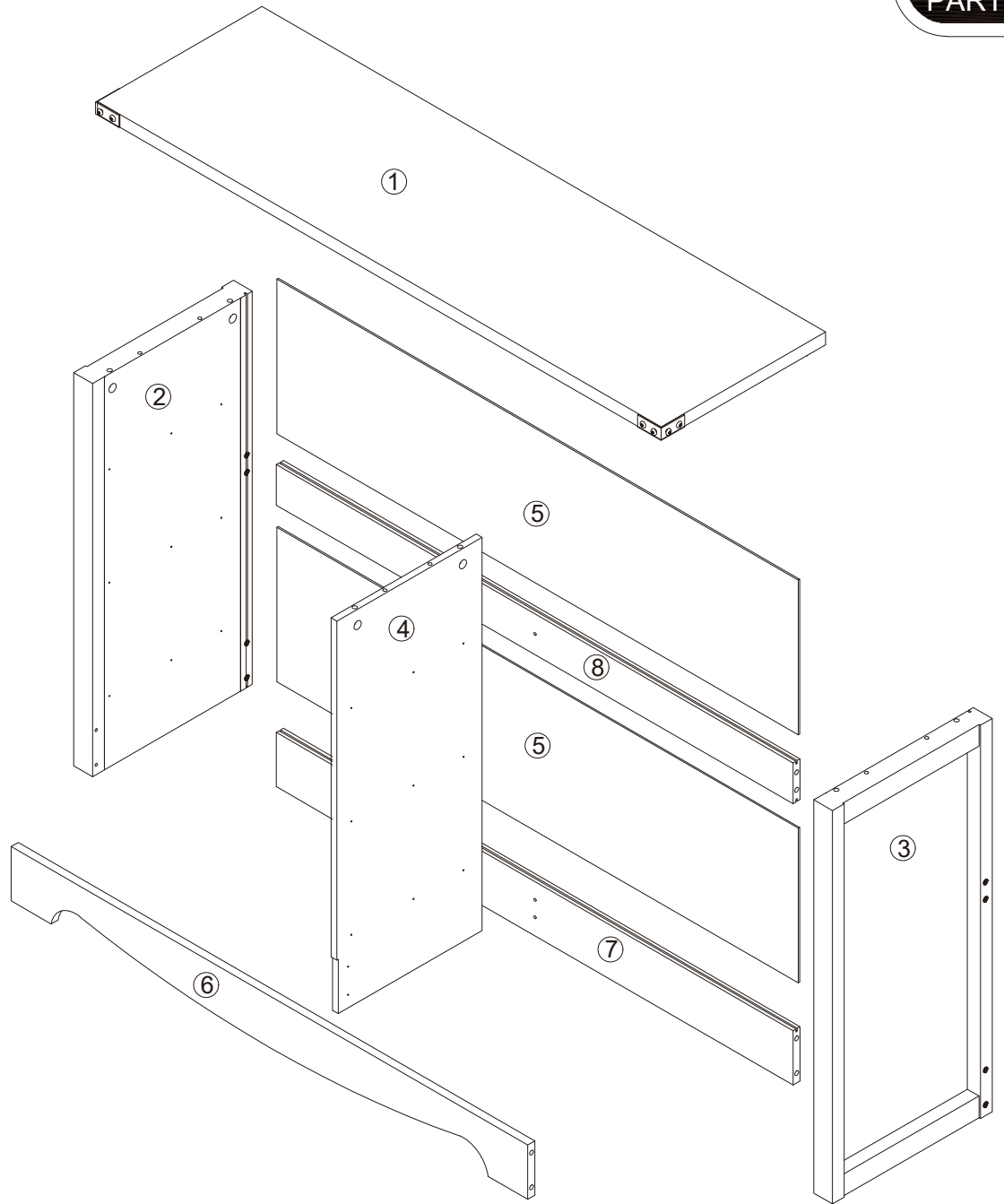


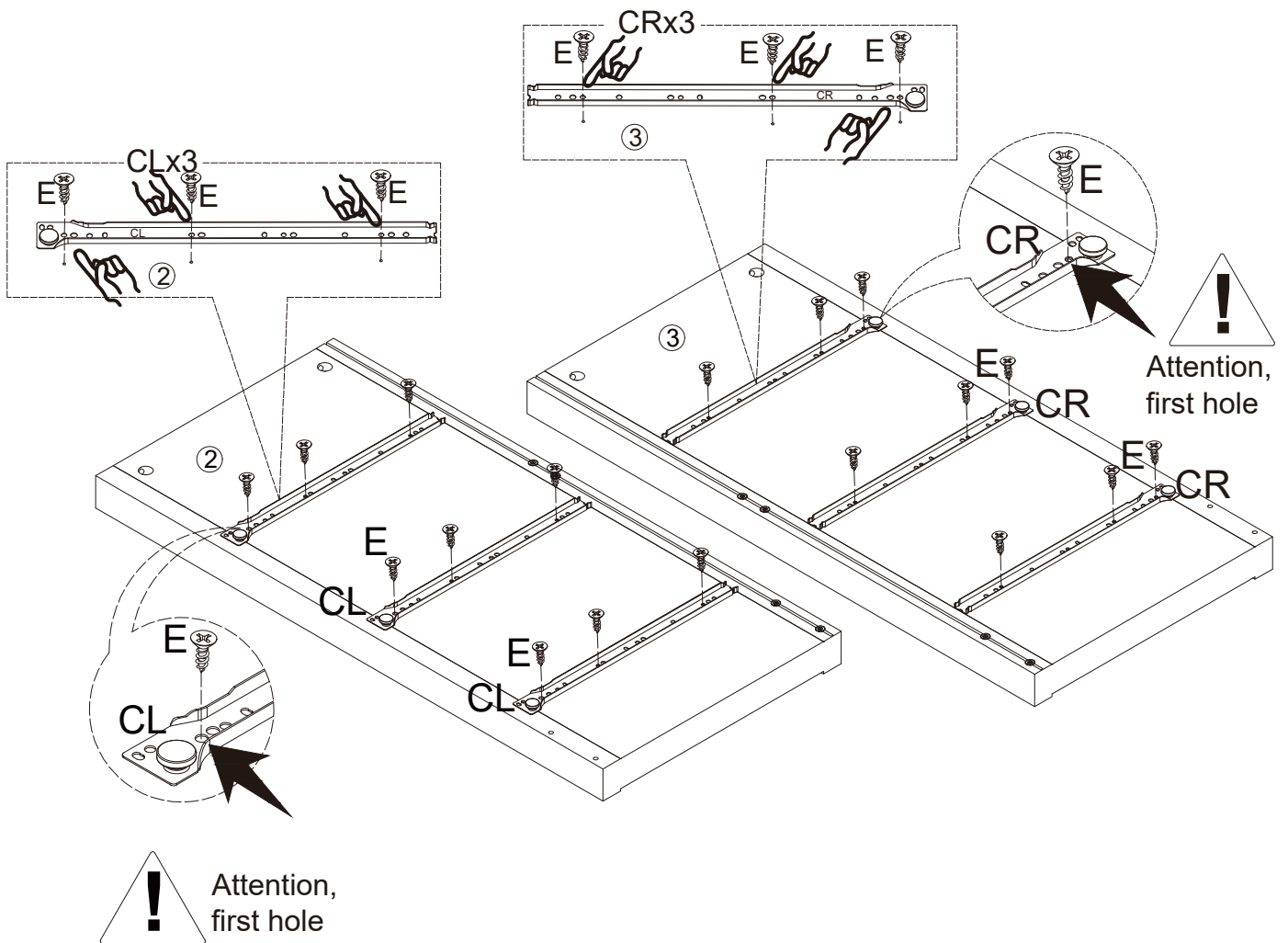
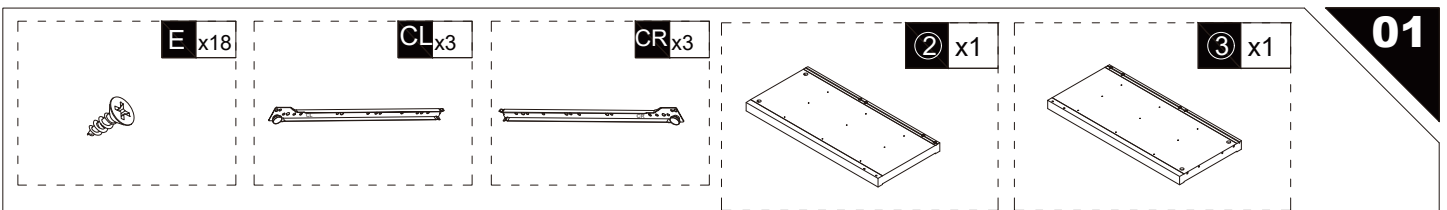
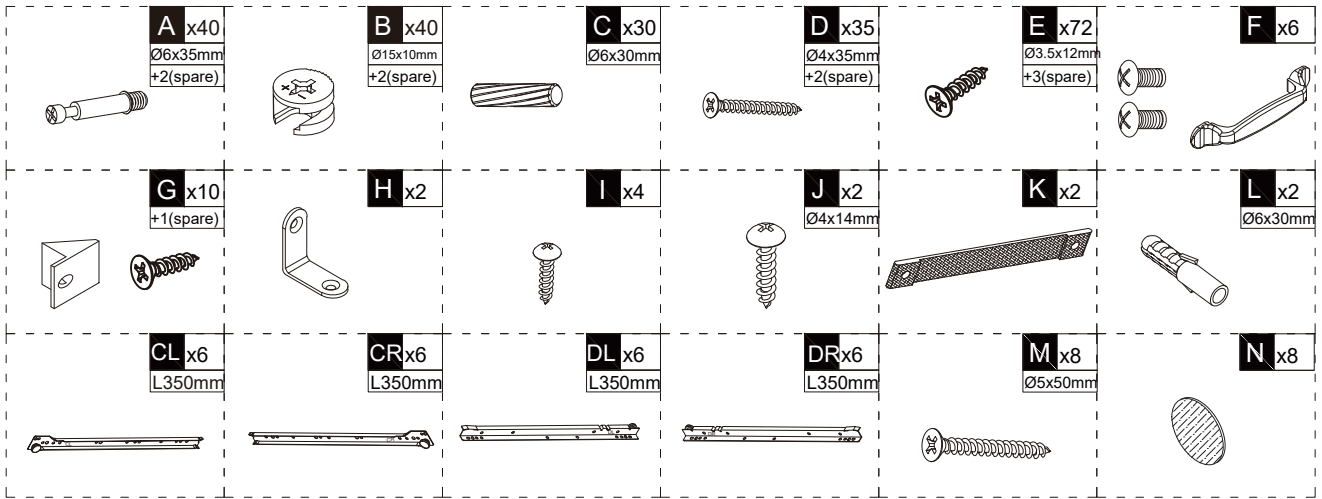
**EN\_Turn** cam lock clockwise to tighten.

**PACKING DELALS**

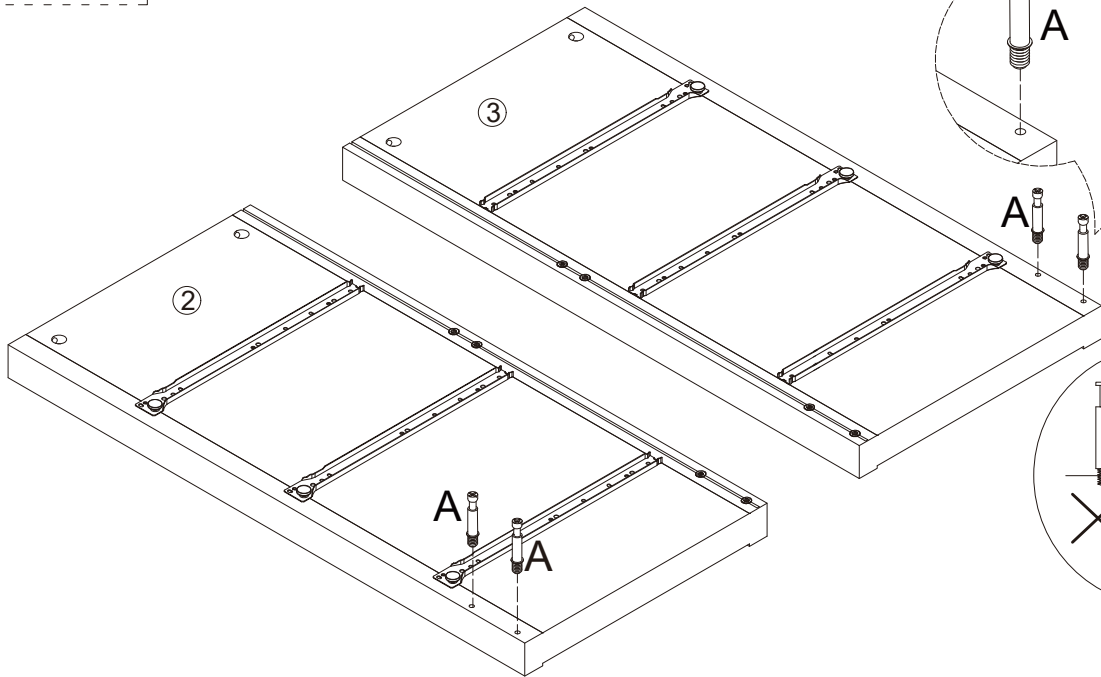
NO.	PARTS	QTY	SPARE
①		x1	
②		x1	
③		x1	
④		x1	
⑤		x2	
⑥		x1	
⑦		x1	
⑧		x1	
⑨		x3	
⑩		x3	

NO.	PARTS	QTY	SPARE
⑪		x6	
⑫		x6	
⑬		x6	
⑭		x6	
⑮		x6	
	 Hardware Kit		





A x4

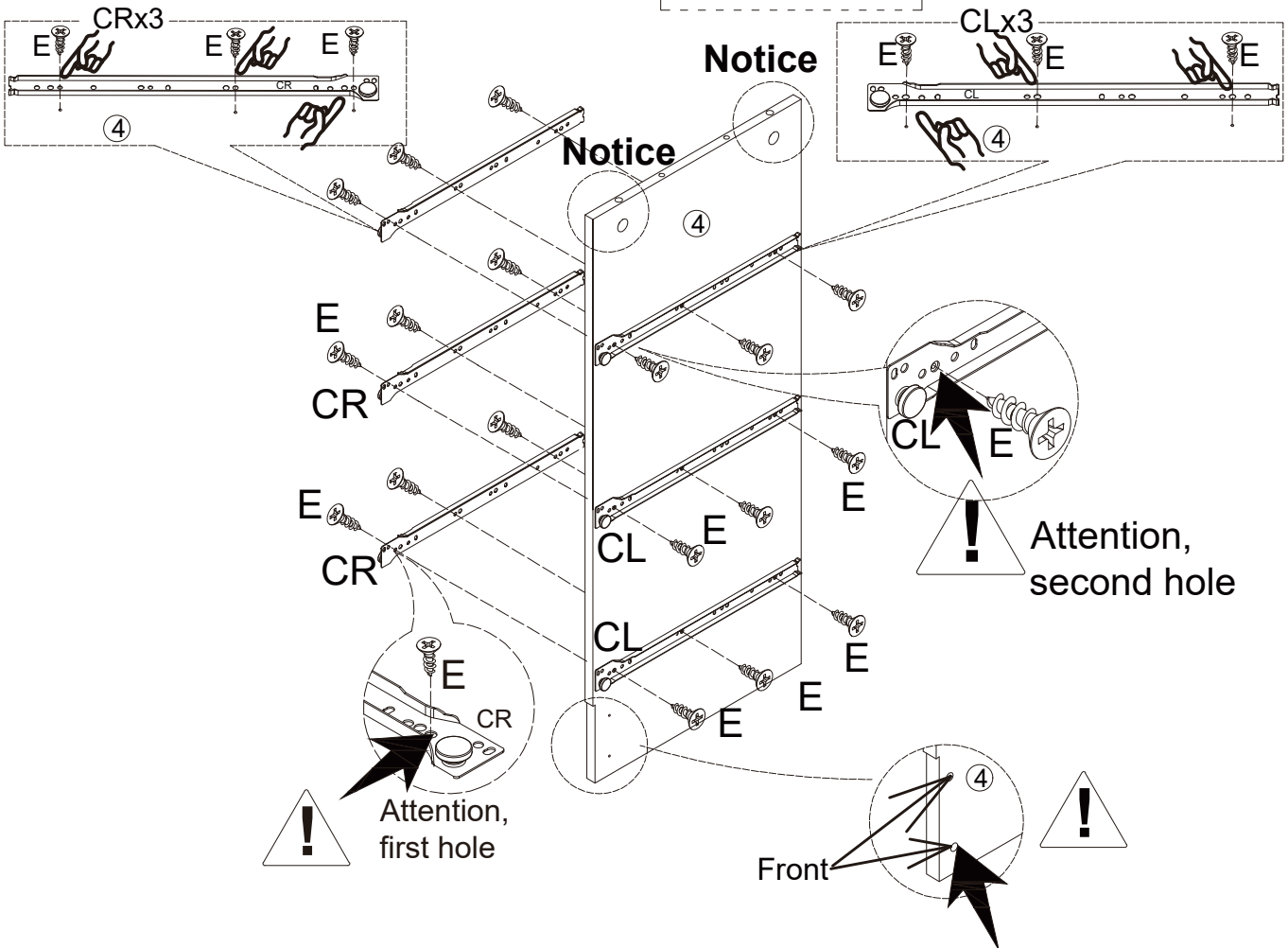
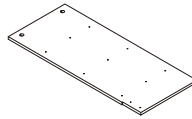


E x18

CL x3

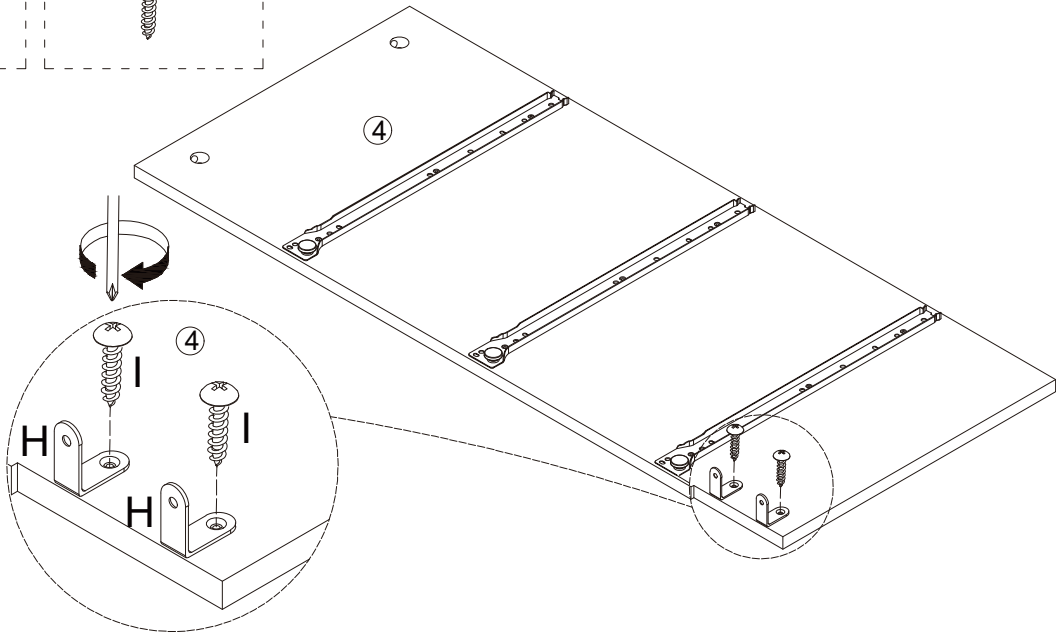
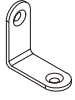
CR x3

4 x1



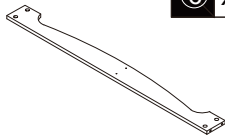
H x2

I x2

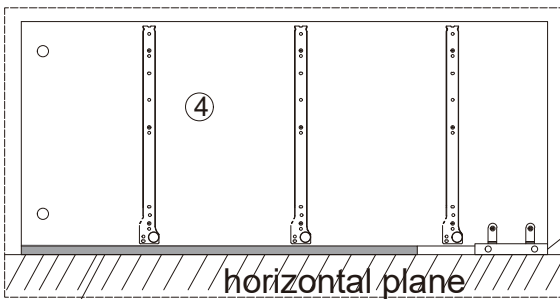
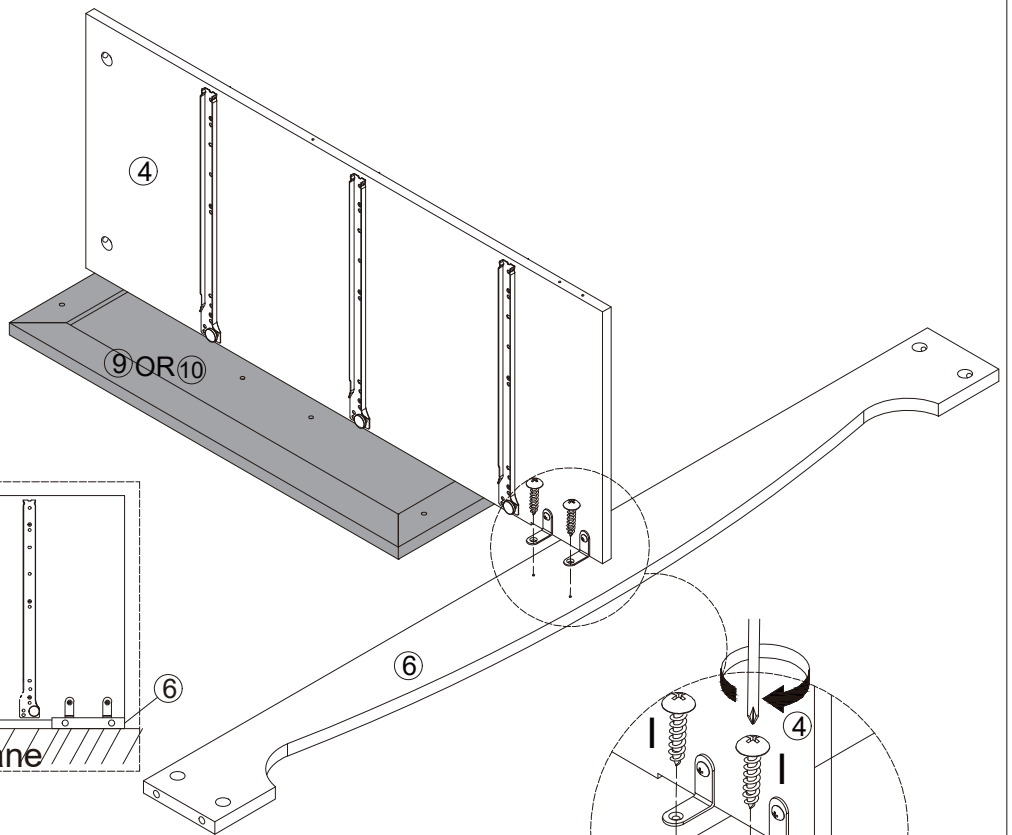


I x2

6 x1



Note: Due to the sinking of the upper part of board 4 during installation with board 6, a plate from board 9 or 10 can be used as a cushion to prevent board 4 from sinking, as shown in the figure.



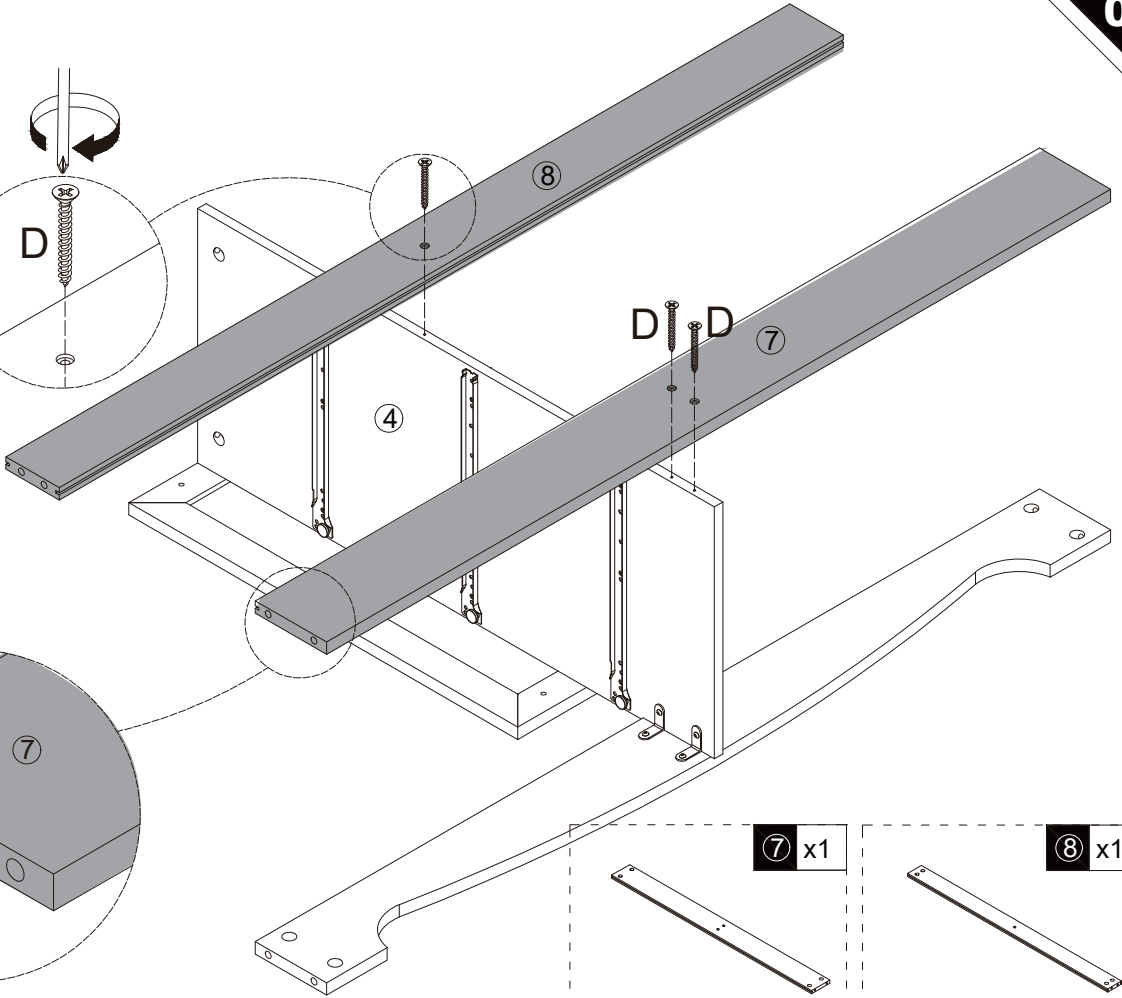
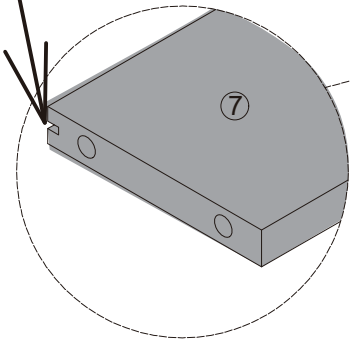
9 OR 10

horizontal plane

D x3



D



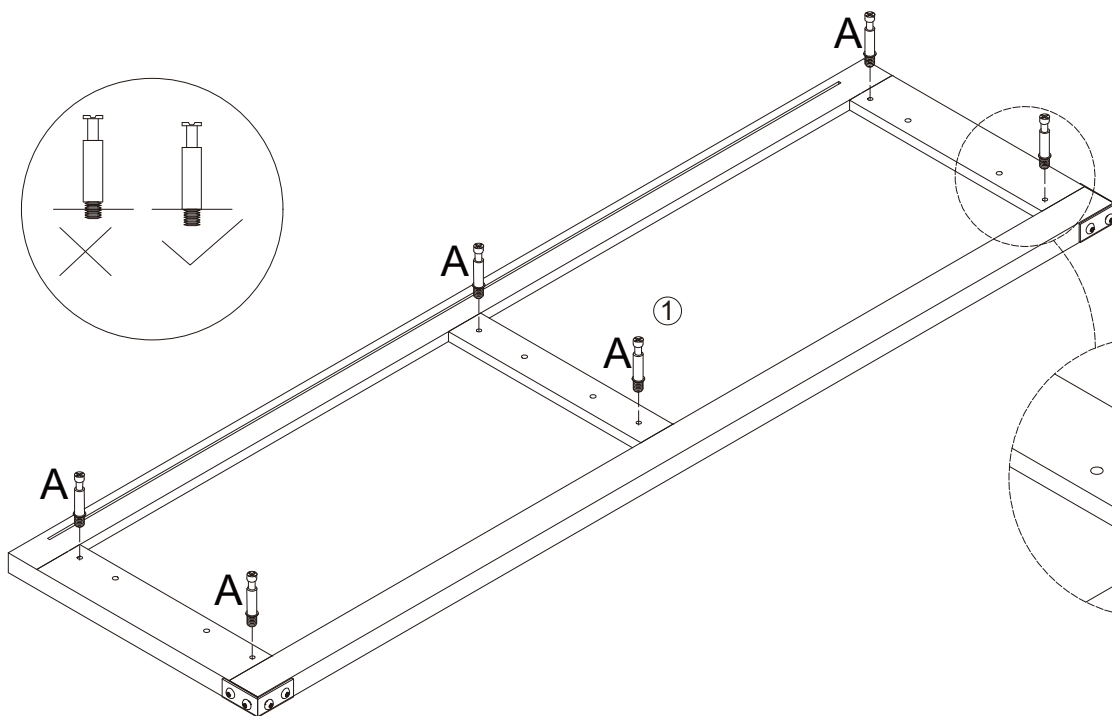
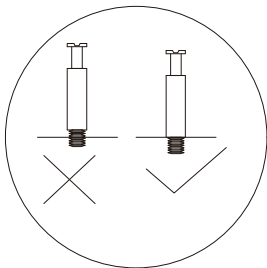
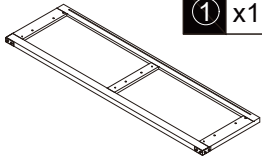
7 x1

8 x1

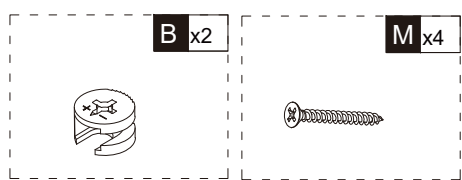
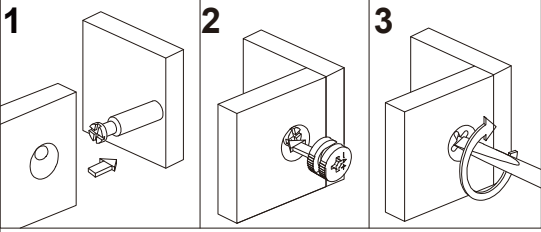
A x6



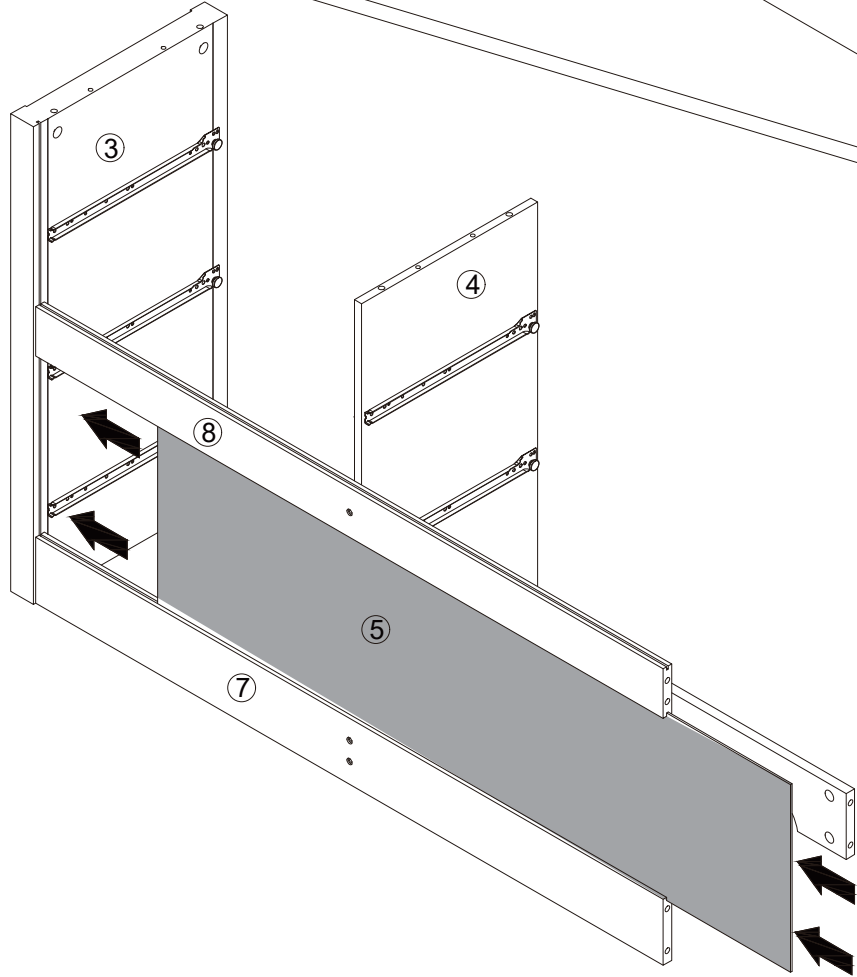
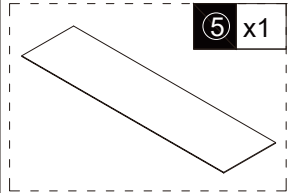
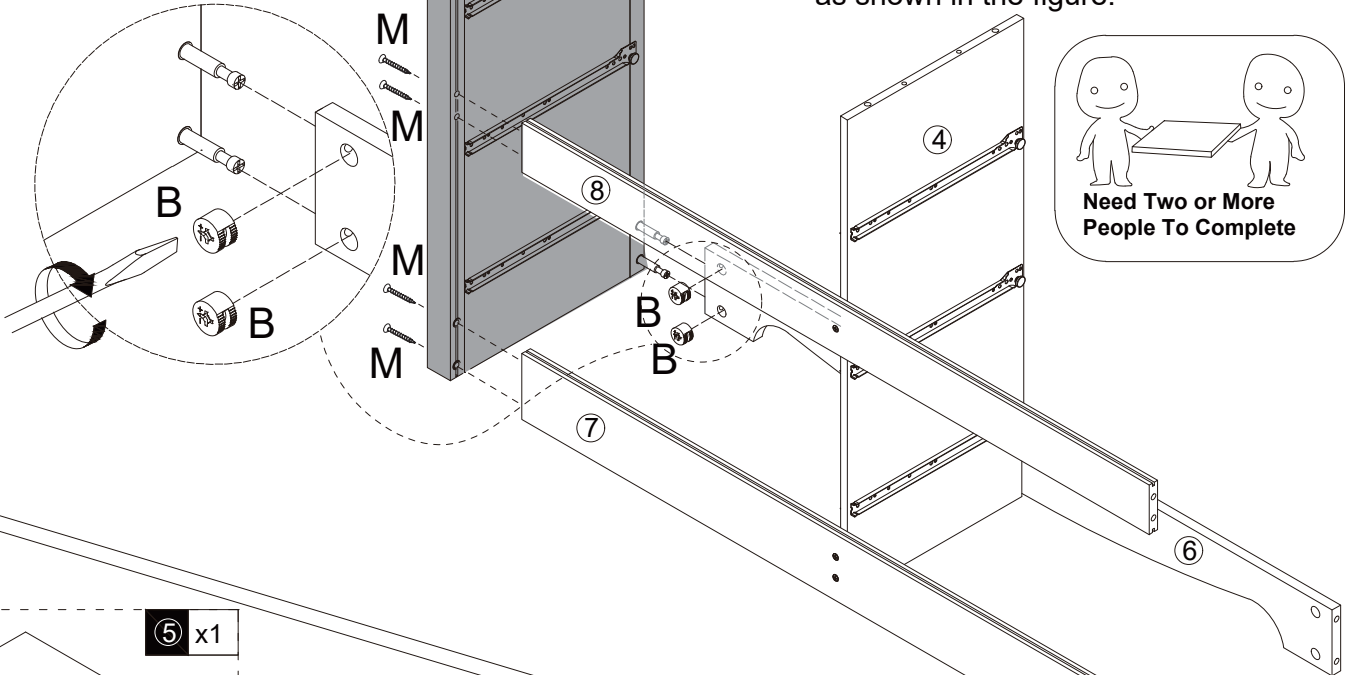
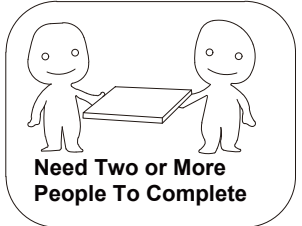
1 x1

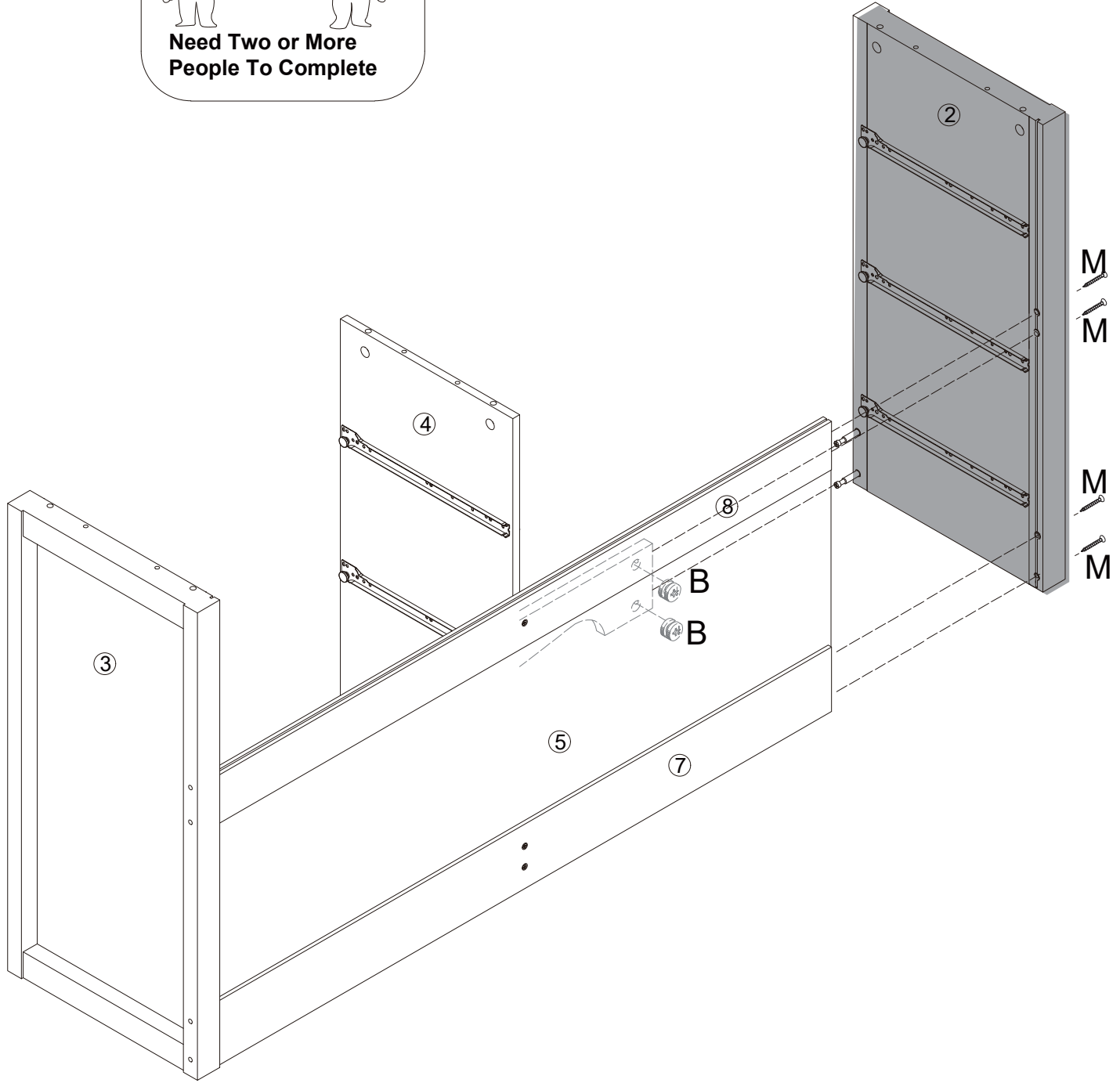
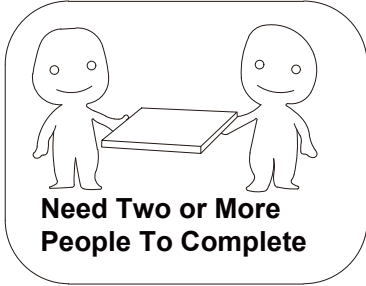
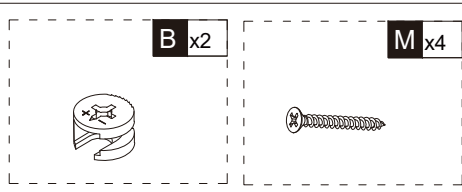
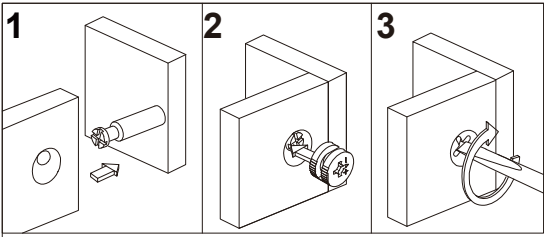


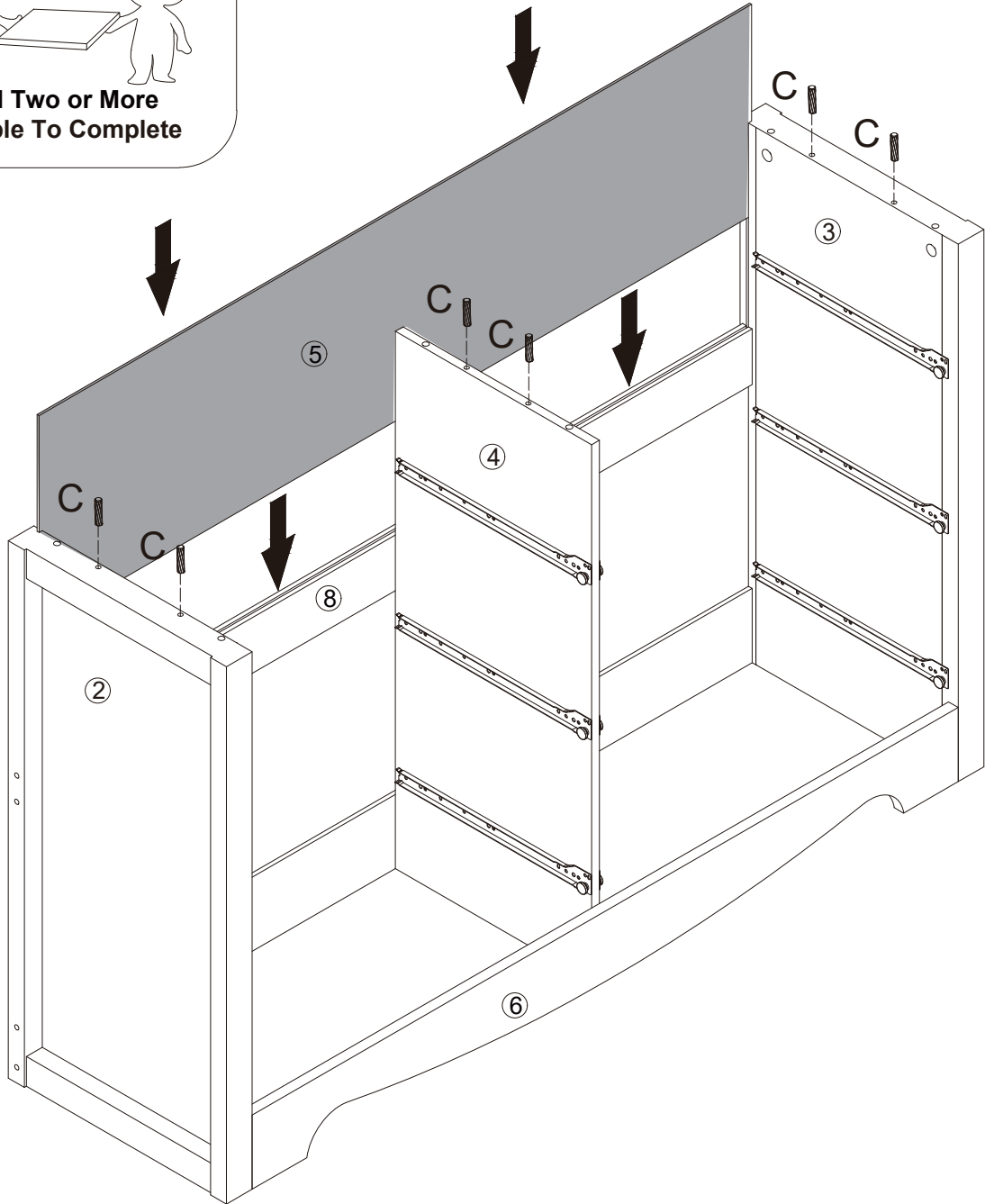
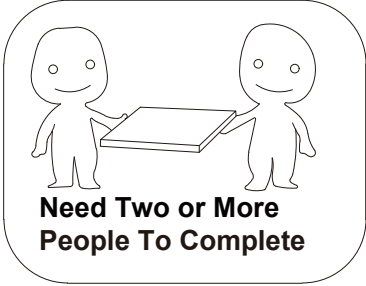
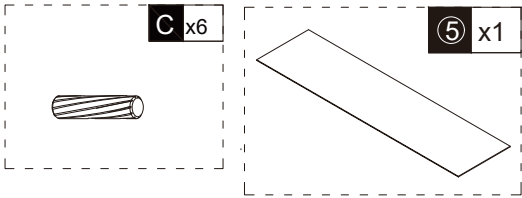
A

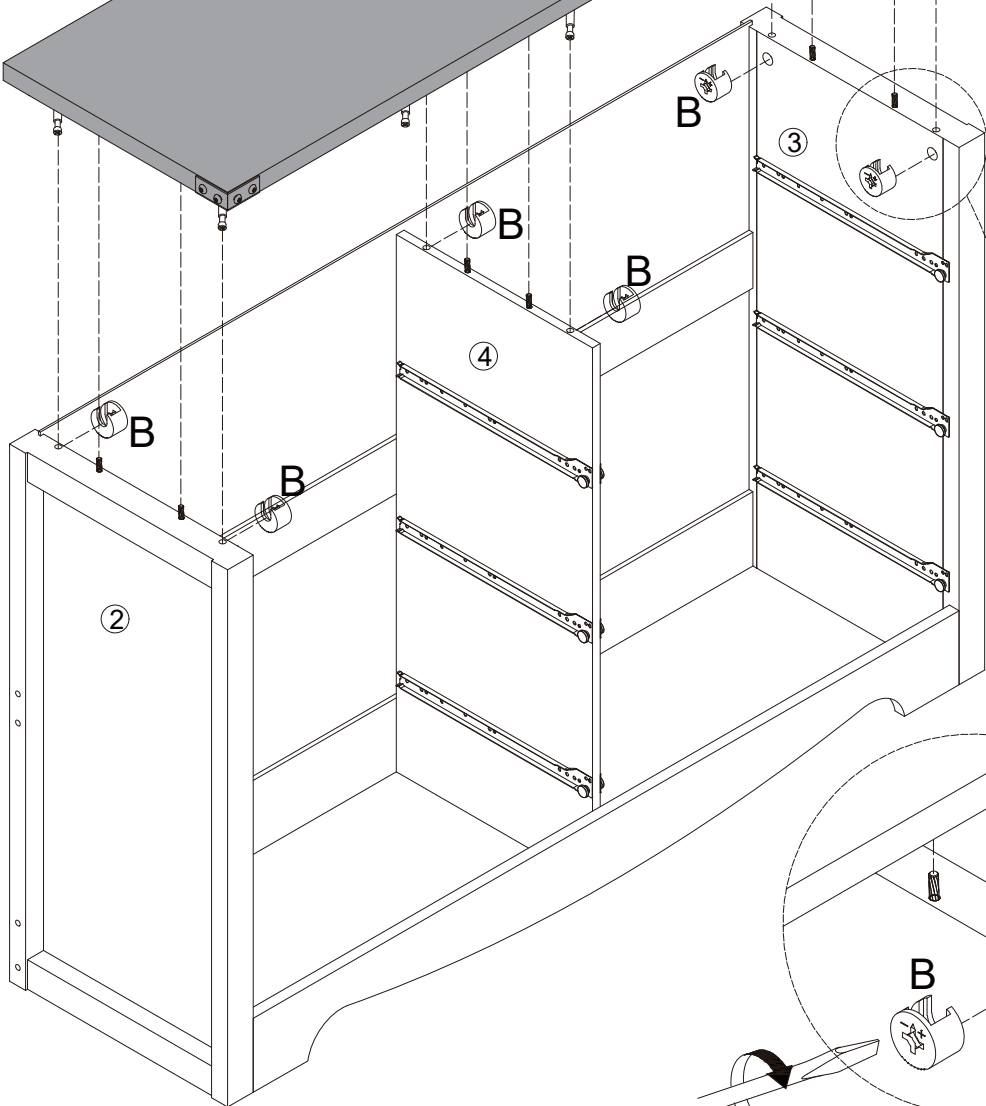
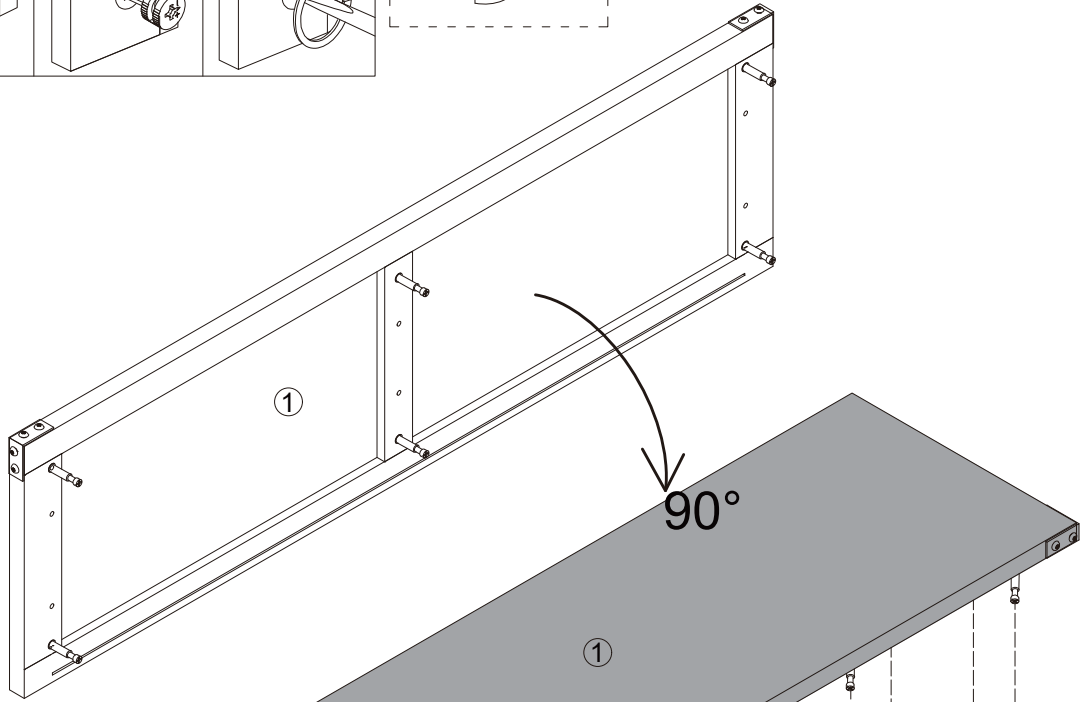
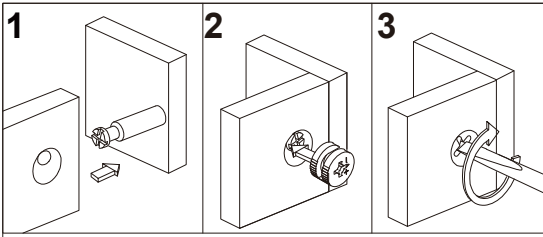


Note: When standing up boards 4, 6, 7, and 8, at least two people are needed, with their hands supporting them 6. Plates 7 and 8, as shown in the figure.

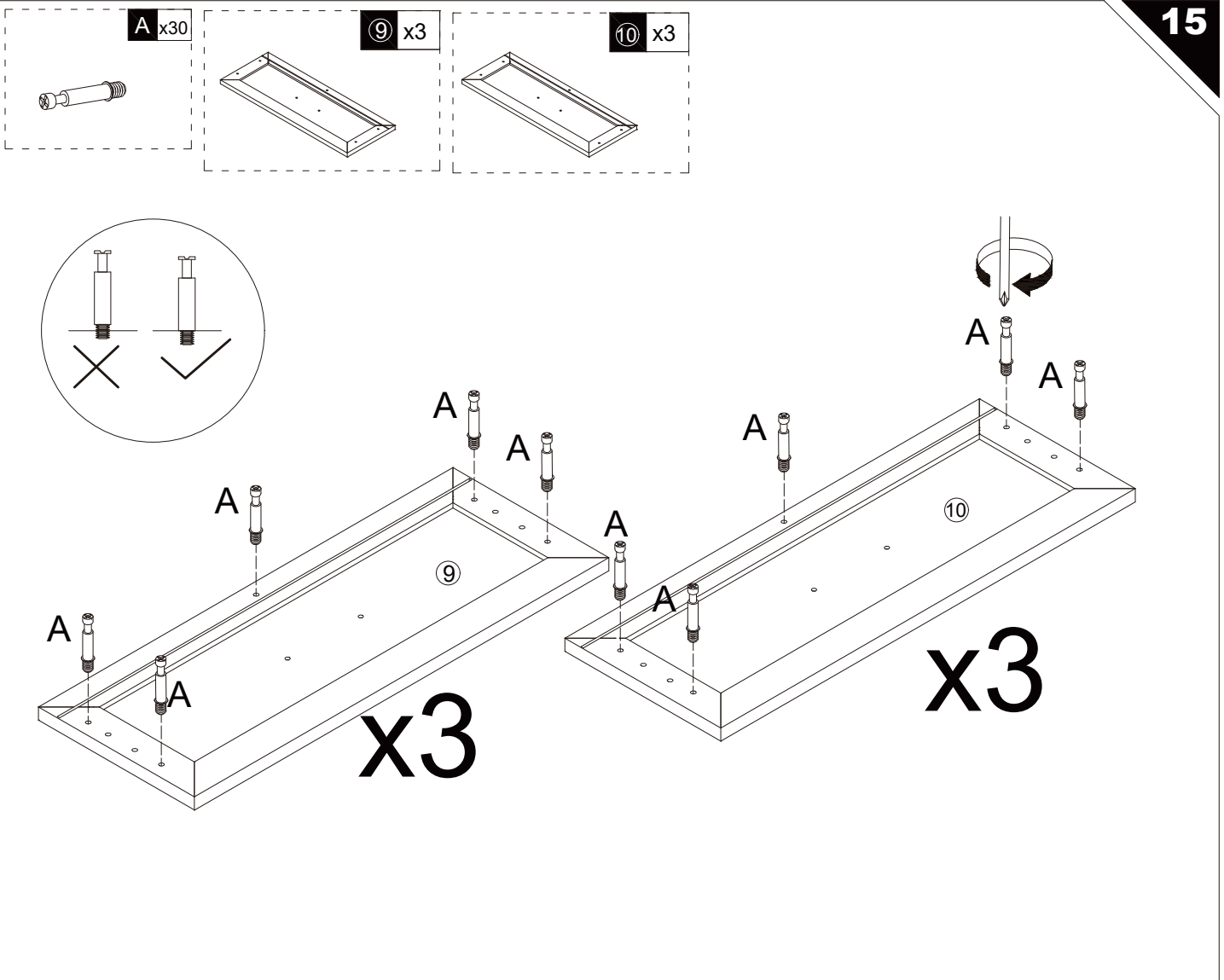
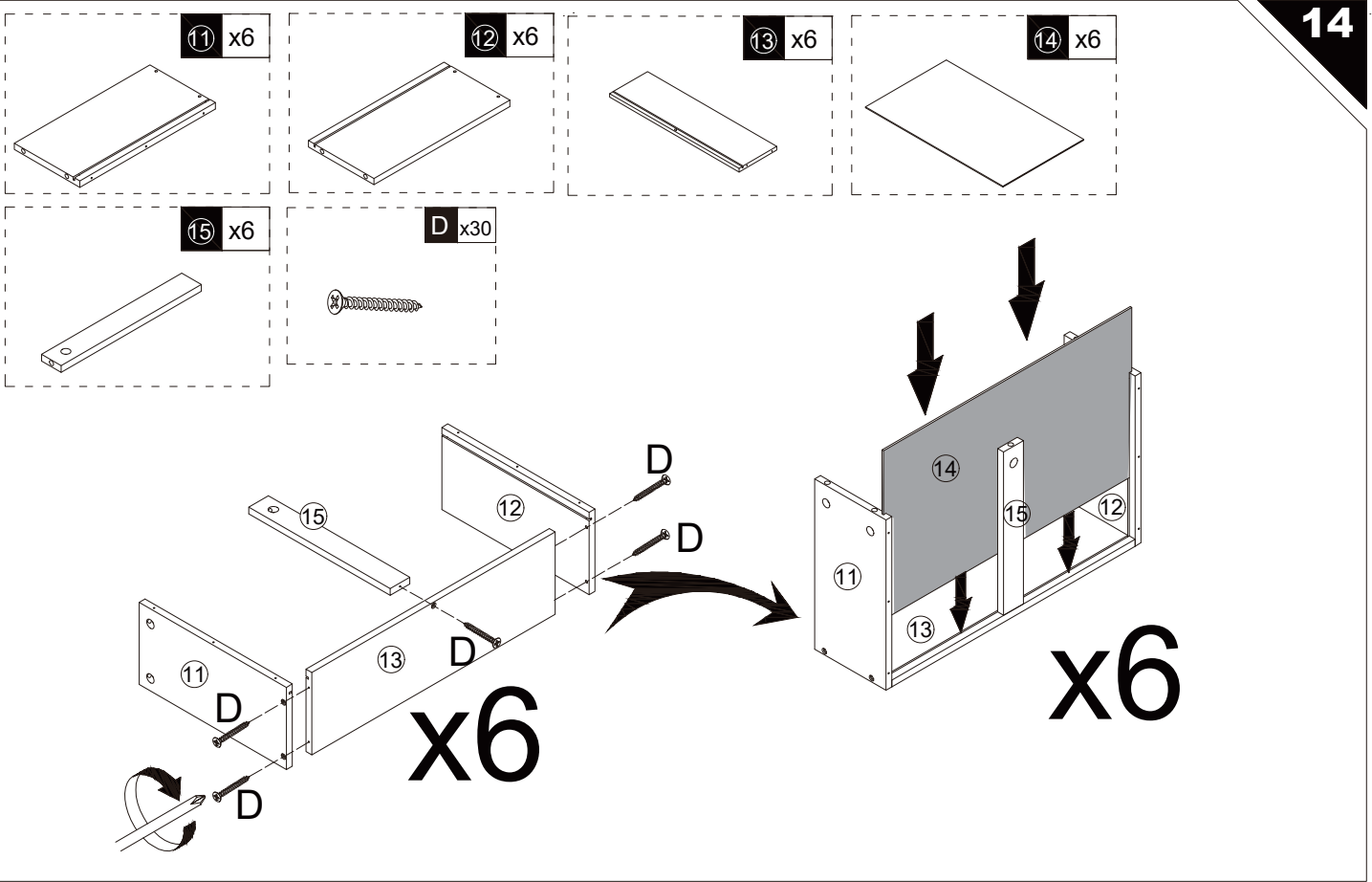










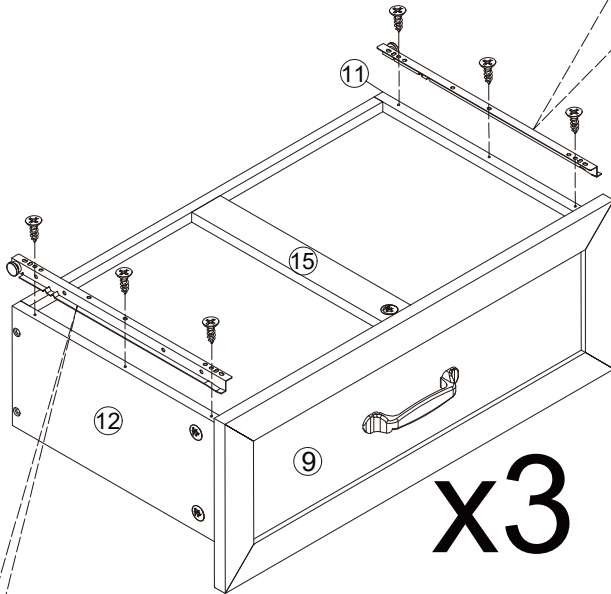
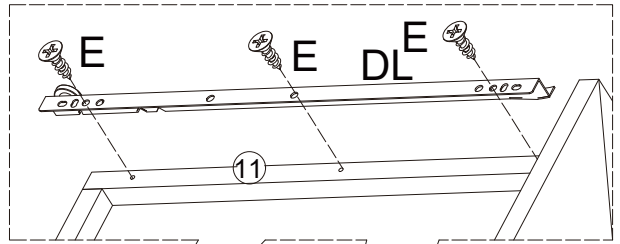




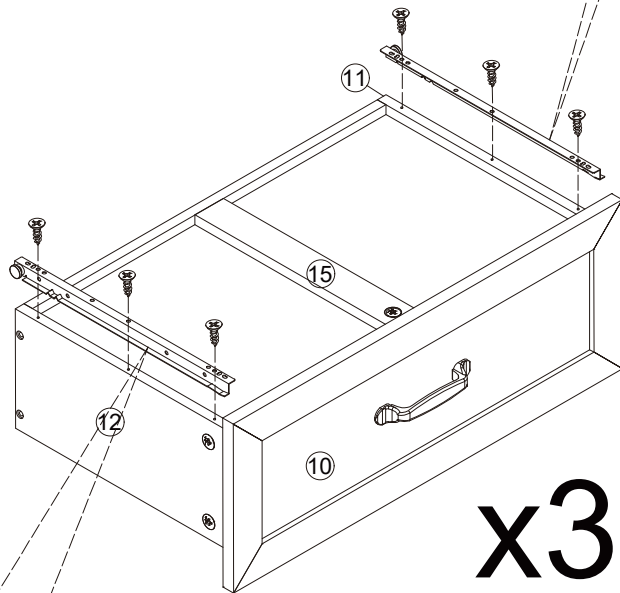
E x36

DL x6

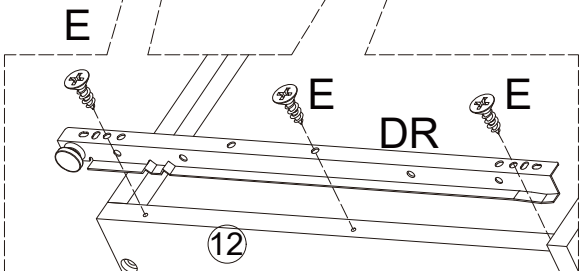
DR x6

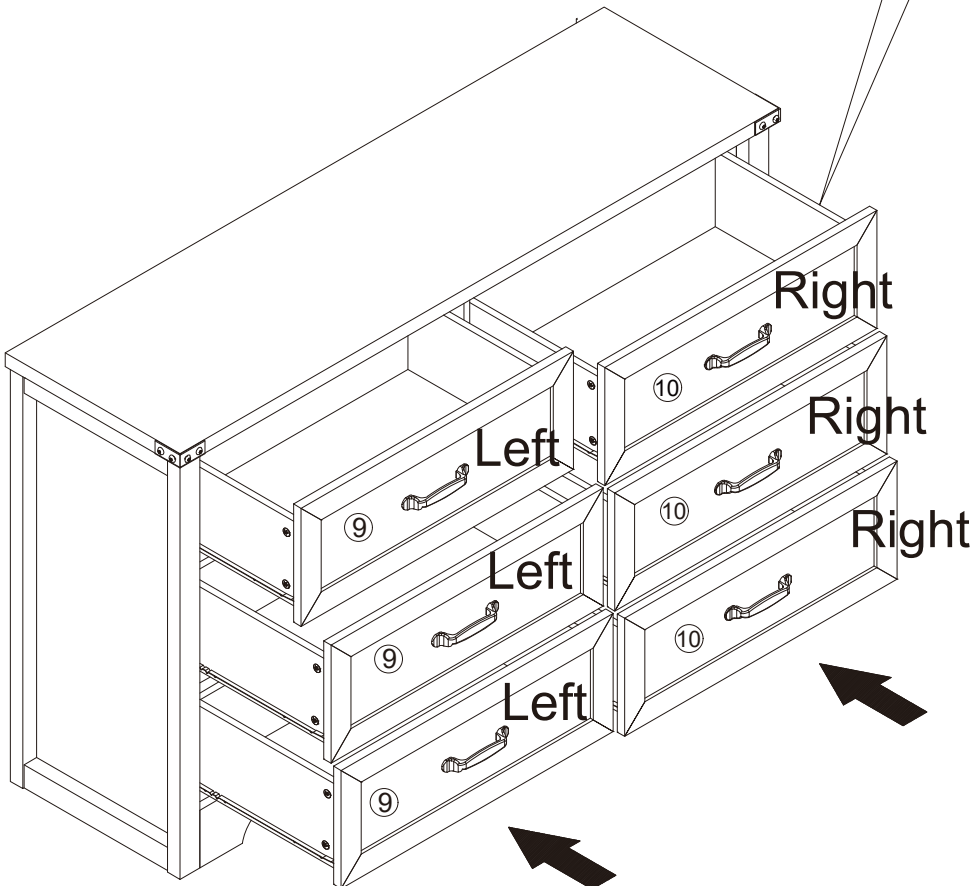
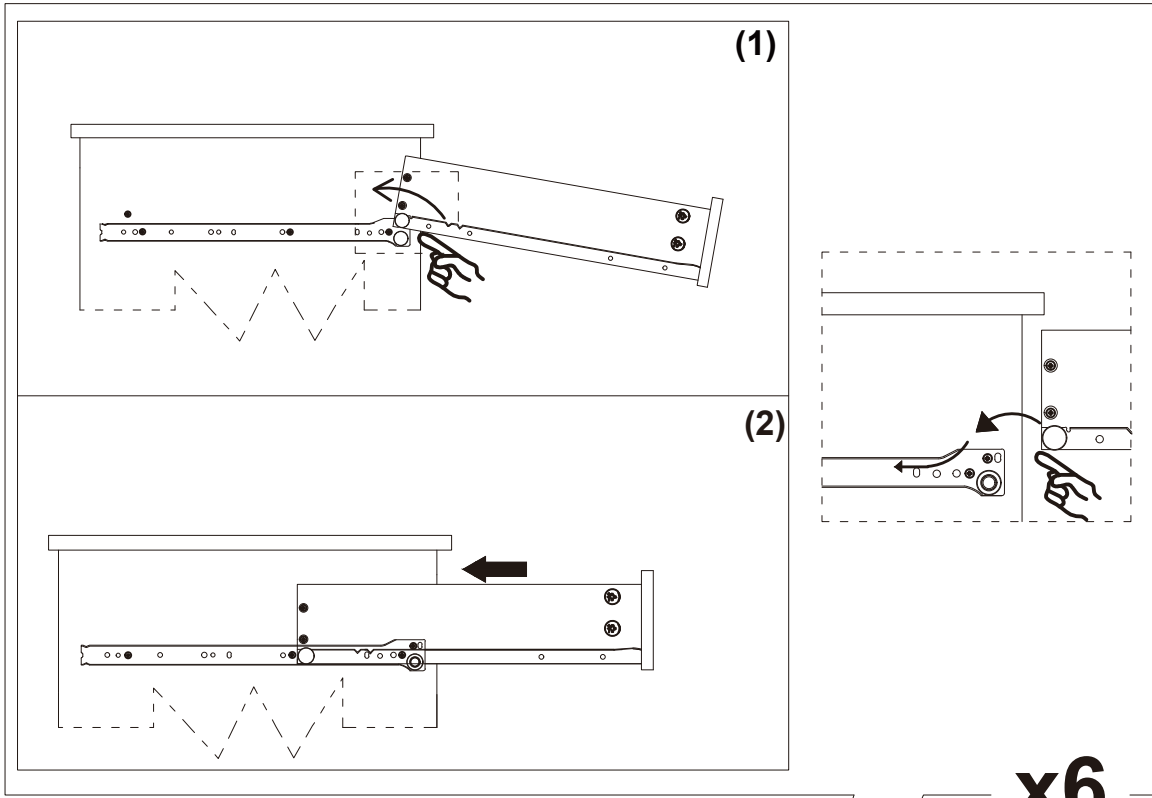


x3



x3





D x2



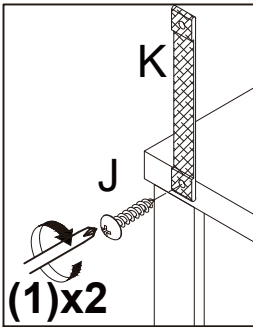
L x2



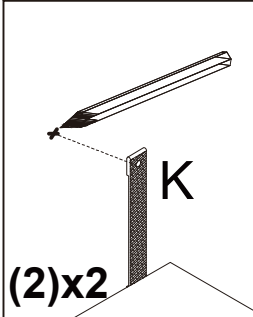
J x2



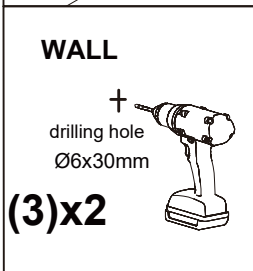
K x2



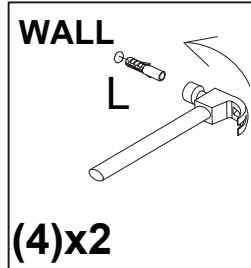
First fix the anti-rewind screw in the reserved hole of the product.



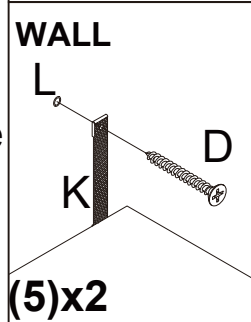
then, use a ruler to measure the approximate height of the product on the wall, and then mark it with a pen.



Then use a tape drill to make holes in the wall that are suitable for the product screws.



Then, put the expansion bolt into the hole



Finally, pass the matching screws through the "anti-rewind" and tighten them to fix them on the wall.

