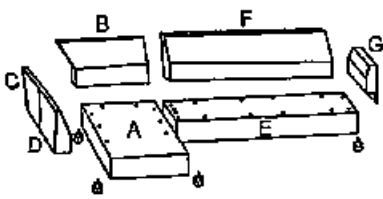
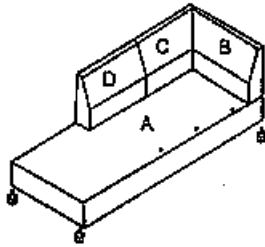




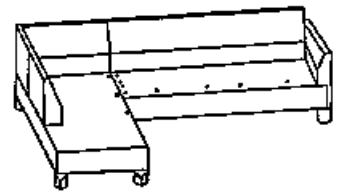
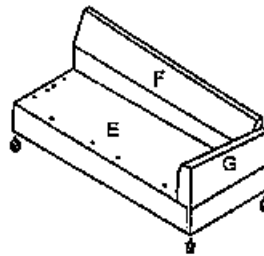
CHAISE ON THE LEFT



CHAISE BOX-1



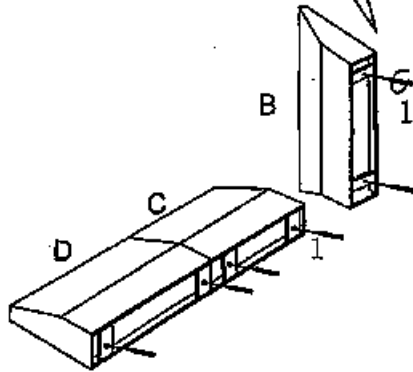
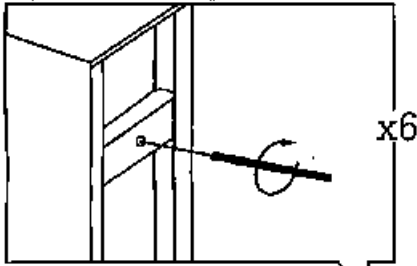
SOFA BOX-2



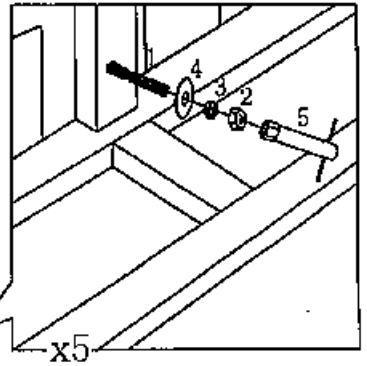
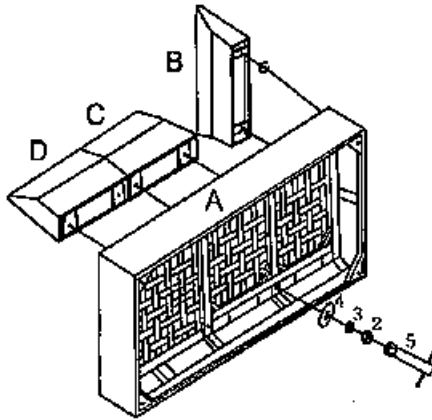
CHAISE ASSEMBLY INSTRUCTION BOX-1

STEP 1- INSERT THREADED ROD INTO SEAT BACKS

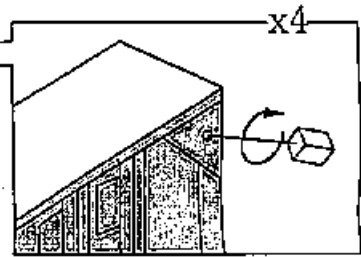
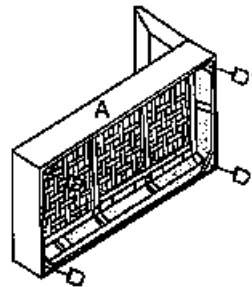
\*Step when the rod starts coming out on the other end



STEP 2- MOUNTED SEAT BACKS INTO THE SEAT FRAME

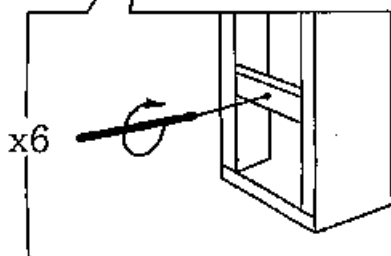
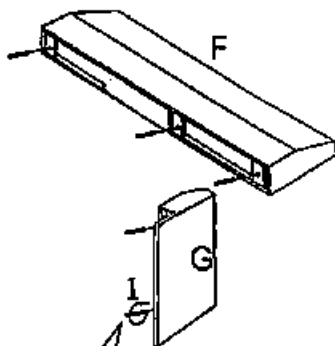


STEP 3- PUT BACK THE FABRIC COVER AND INSERT LEGS



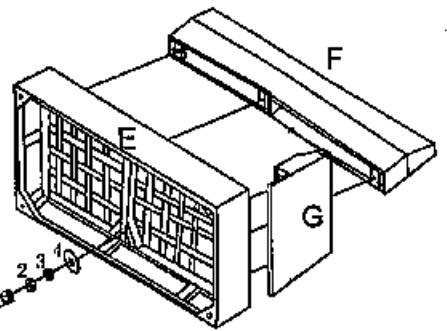
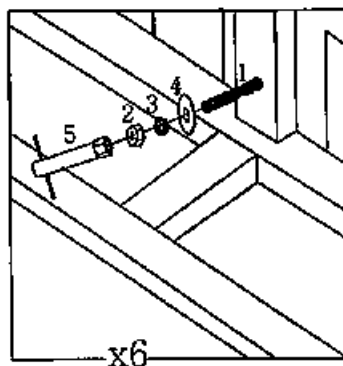
SOFA ASSEMBLY INSTRUCTION BOX-2

STEP 1- INSERT THREADED ROD INTO SEAT BACKS

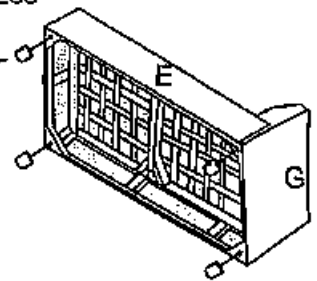
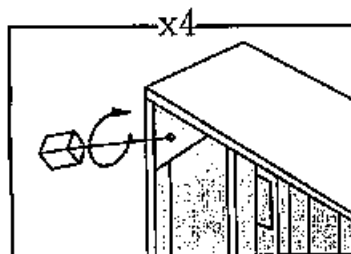


\*Stop when the rod starts coming out on the other end

STEP 2- MOUNTED SEAT BACKS INTO THE SEAT FRAME



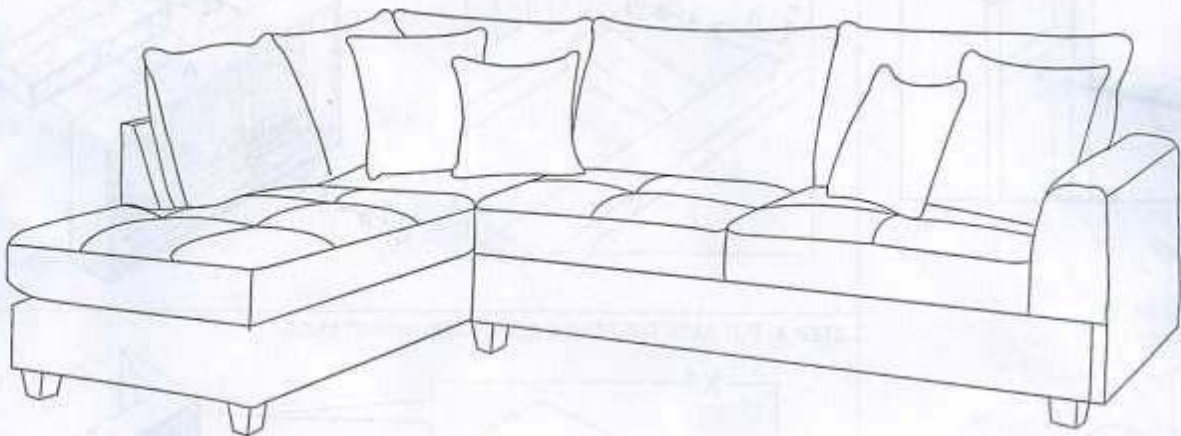
STEP 3- PUT BACK THE FABRIC COVER AND INSERT LEGS



# NOTICE BEFORE ASSEMBLY

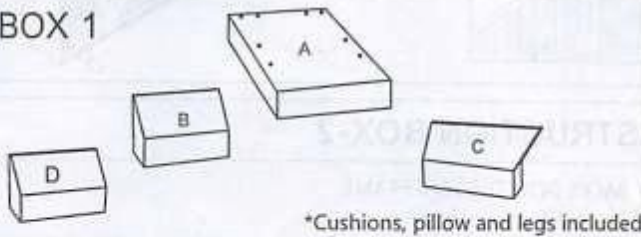
Please choose the CHAISE to be on                       
 the LEFT or RIGHT hand side

Assembly Instruction II:CHAISE ON THE LEFT



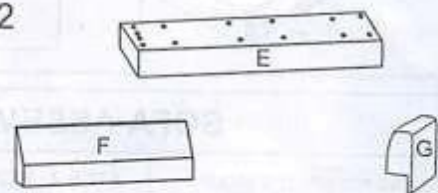
## PARTS LIST

BOX 1



\*Cushions, pillow and legs included

BOX 2



\*Cushions, pillow and legs included


1  x11

2  x11

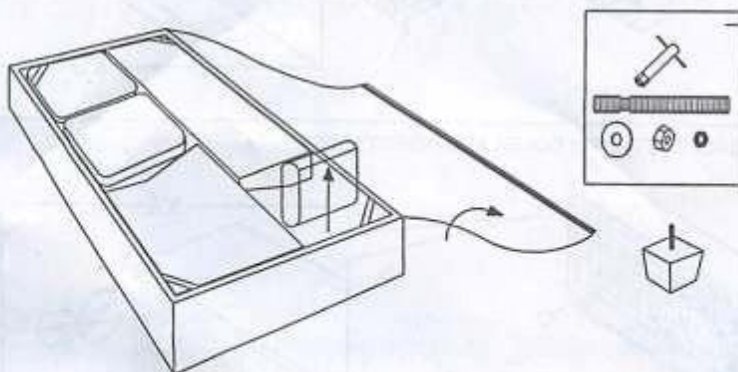
3  x11

4  x11

5  x2

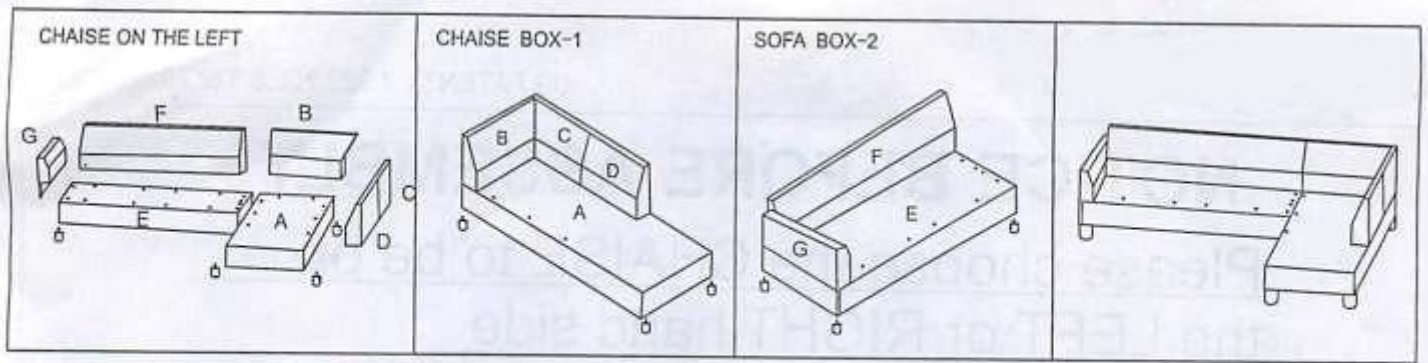
6  x8

## BEFORE ASSEMBLY



Open up the Velcro of Non-Woven Fabric cover on the bottom of the seat frame to remove seat cushions, back cushions and pillow

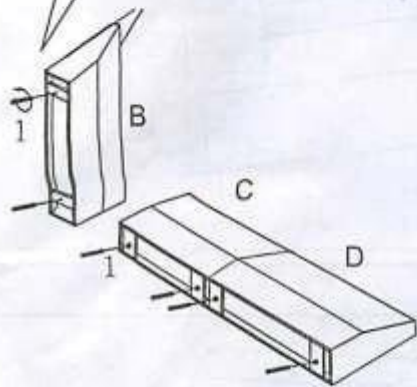
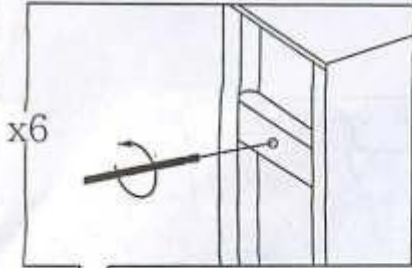
\*\*\*PLEASE REMOVE ALL PARTS FROM SEAT FRAMES AND SEAT BACKS BEFORE ASSEMBLY\*\*\*



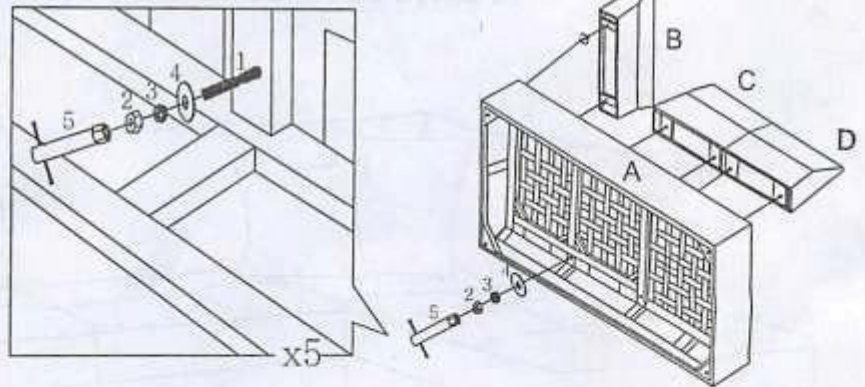
## CHAISE ASSEMBLY INSTRUCTION BOX-1

### STEP 1- INSERT THREADED ROD INTO SEAT BACKS

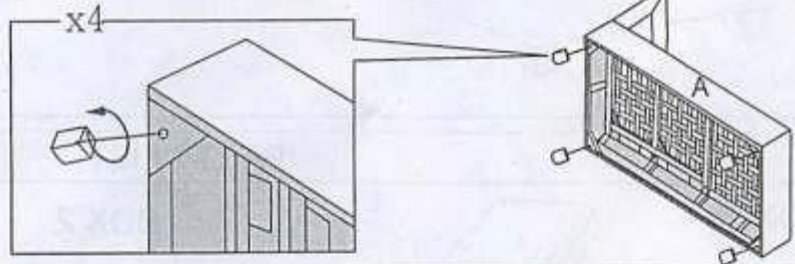
\*Stop when the rod starts coming out on the other end



### STEP 2- MOUNTED SEAT BACKS INTO THE SEAT FRAME

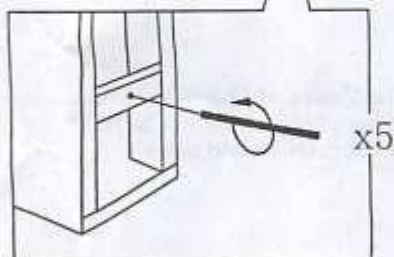
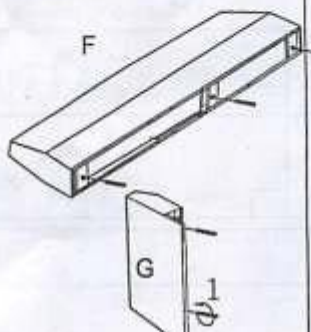


### STEP 3- PUT BACK THE FABRIC COVER AND INSERT LEGS



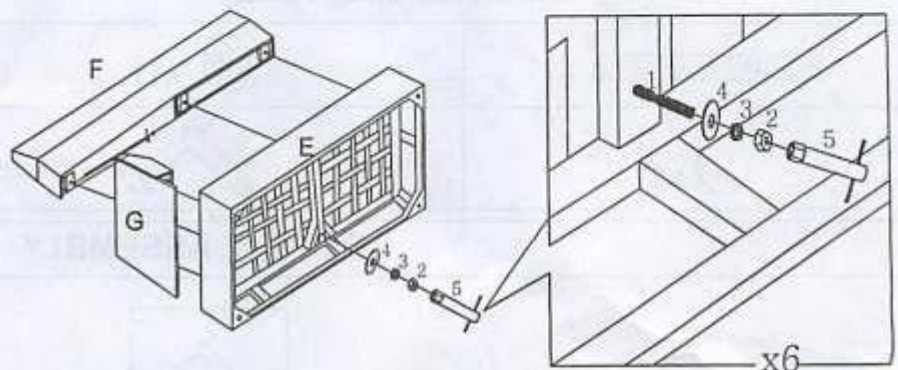
## SOFA ASSEMBLY INSTRUCTION BOX-2

### STEP 1- INSERT THREADED ROD INTO SEAT BACKS



\*Stop when the rod starts coming out on the other end

### STEP 2- MOUNTED SEAT BACKS INTO THE SEAT FRAME



### STEP 3- PUT BACK THE FABRIC COVER AND INSERT LEGS

