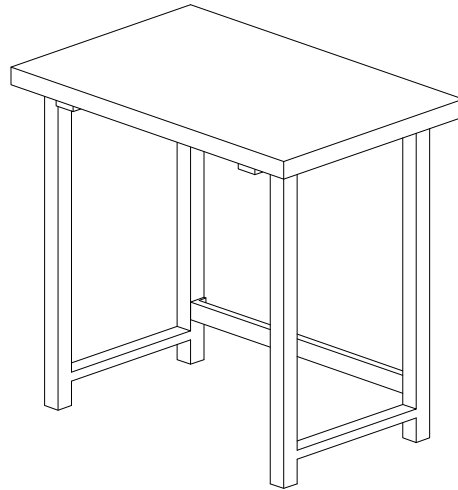


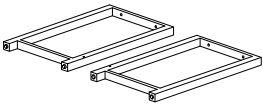
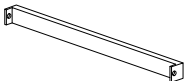
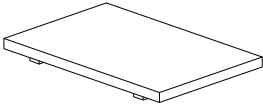
# Small Desk






Thank you for purchasing the Small Desk. We have found it helpful to have a second person present during the assembly process.

## Small Desk Assembly Instructions

### Parts

NO.	DRAWING	DESCRIPTION	QTY
A		METAL FRAME	2
B		BACK RAIL	1
C		TABLE TOP	1

NO.	DRAWING	DESCRIPTION	QTY
D		M6x35MM BOLT	4
E		M6x20MM BOLT	2
F		ALLEN KEY	1

### Step 1

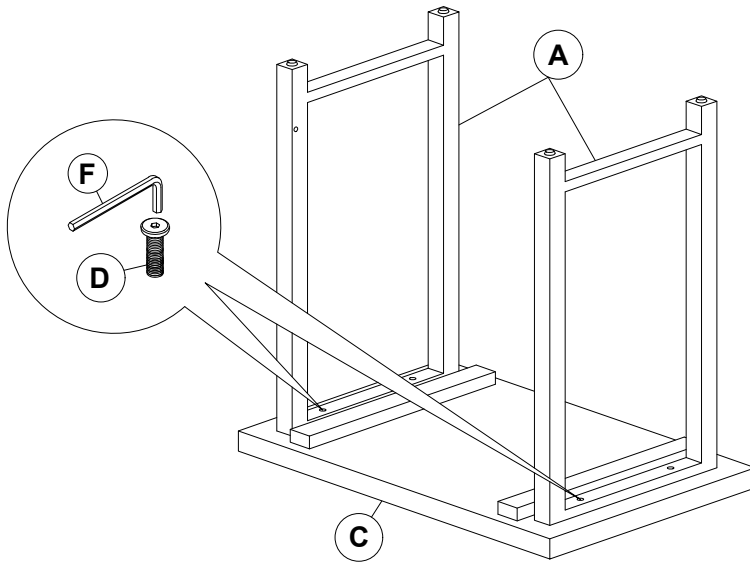
Read through these instructions thoroughly before beginning assembly. We have found this to be of great value when assembling this product.

### Step 2

Remove all parts and hardware from packing material. Wooden pieces should be placed on a non abrasive surface to prevent damage to the finish

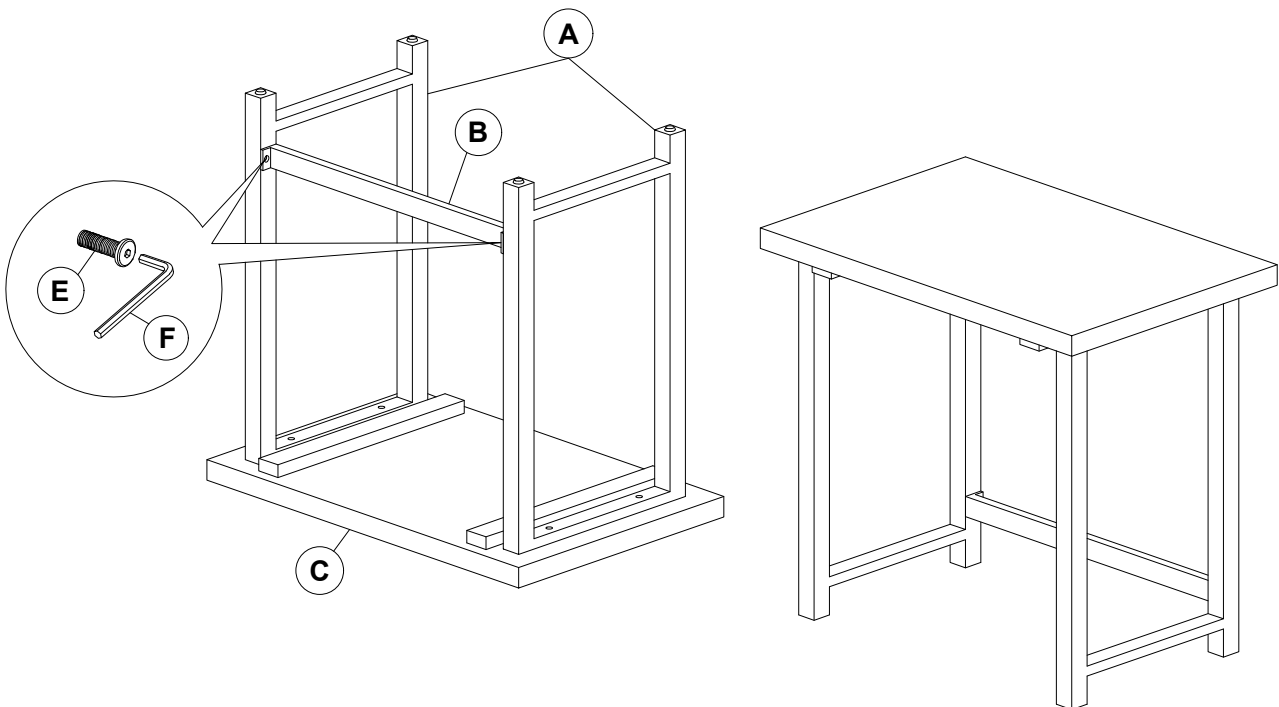
### Step 3

Lay Table Top Assembly (C) on a non abrasive surface. Attach Metal Frame (A) to Table Top (C) using 4-M6x35MM Hex Bolts (D). NOTE: DO NOT TIGHTEN ALL BOLTS AT THIS TIME !



### Step 4

Attach Back Rail (B) to Metal Frame (A) using 2-M6x20MM Hex Bolts (E). NOTE: TIGHTEN ALL BOLTS AT THIS TIME !



---

### CARE

Clean with a non abrasive cloth using a mild soap. Make sure to wipe dry.

---