





Assembly Instructions

DT883

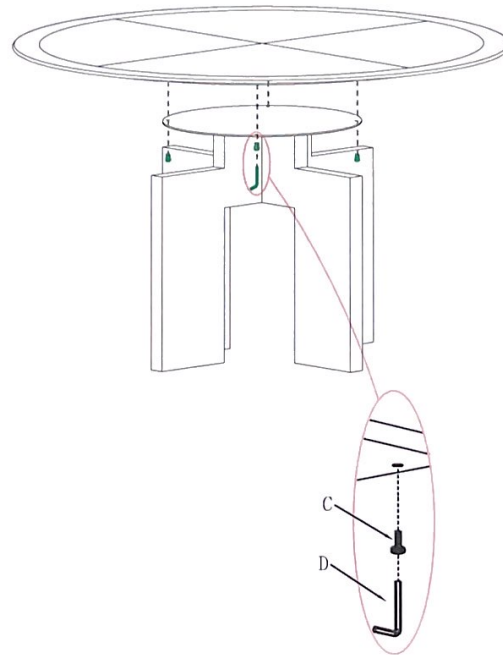
Parts

NO.	Picture	Description	Size	QTY
A		table top	ø1500*33mm	1
B		table base	850*850*720mm	1

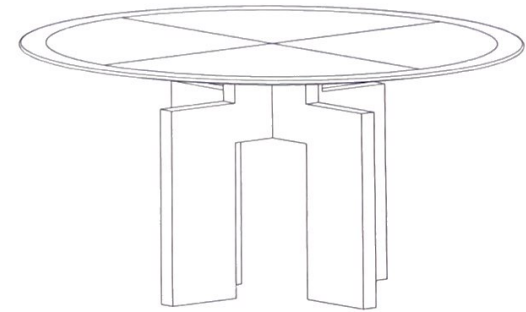
Hardware

NO.	Picture	Description	Size	QTY
C		bolt	M8*15mm	5
D		Allen key	M8	1

STEP:1



STEP:2



Overall Size: $\phi 1500*750\text{mm}$