

# Hauslane™

## Exhaust Fan INSTALLATION INSTRUCTIONS

Model No. BF100  
BF200



### READ AND SAVE THESE INSTRUCTIONS

Thank you very much for having purchased our Ventilating Fan  
 Questions, problems or missing parts? please call us at 1-800-929-0168  
 Monday-Friday, 9 a.m.-5 p.m. PST or email [info@hauslane.com](mailto:info@hauslane.com)

#### Table of Contents

Unpacking .....	2
Supplied Accessories .....	2
Description .....	2
General Safety Information .....	3
Dimensions .....	4
Wiring Diagram .....	4
Installation I (Joist Mounting - I).....	5-6
Installation II (Suspension Brackets Mounting).....	7-8
Installation III (Joist Mounting - II) .....	8
Special installation replacement .....	8-9
Maintenance (Cleaning) .....	10
Practical Guide To Installation .....	11
Specifications .....	11
Product Service .....	12

Hauslane-267 Wattis Way, South San Francisco CA 94080

Tel: 1-800-929-0168

Email: [Info@hauslane.com](mailto:Info@hauslane.com)

Website: [www.hauslane.com](http://www.hauslane.com)

---

## UNPACKING

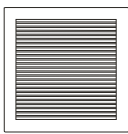
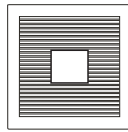

---



Unpack and carefully remove the unit from carton.  
Refer to the Supplied Accessories list to verify that all parts are present.

---

## SUPPLIED ACCESSORIES

---

Part name	Appearance	Quantity
Grille I		1
OR Grille II		1
Suspension bracket		3

Part name	Appearance	Quantity
Long screw (ST4.2X20)		6
Installation instructions		1

---

## DESCRIPTION

---

These hauslane exhaust fan models are listed by ETL under ETL file No. 4009004.  
These hauslane exhaust fan models use a sirocco fan driven by a capacitor motor.  
The motor is designed to have an extended service life with reduced energy consumption.  
It also incorporates a thermal-cutoff for safety. The grille covering the fan body is a spring-loaded, quick remove type. A damper for preventing air counterflow is provided. The blower uses a high-capacity sirocco fan developed to reduce the noise level.

# GENERAL SAFETY INFORMATION

1. Do not install this ventilating fan where interior room temperature may exceed 104°F (40°C).
2. Make sure that the electric service supply voltage is AC 120V, 60Hz.
3. Follow all local electrical and safety codes, as well as the National Electrical Code (NEC) and the Occupation Safety and Health Act (OSHA).
4. Always disconnect the power source before working on or near the fan, motor, junction box.
5. Protect the power cord from sharp edges, oil, grease, hot surfaces, chemicals or other objects.
6. Do not kink the power cord.
7. Do not install the unit where ducts are configured as shown in Fig. A.
8. Provide make up air for proper ventilation.



Fig. A

## CAUTION:

1. For general ventilating use only. Do not use to exhaust hazardous or explosive materials and vapors.
2. Not for use in cooking area. (Fig.B)
3. This product must be properly grounded.

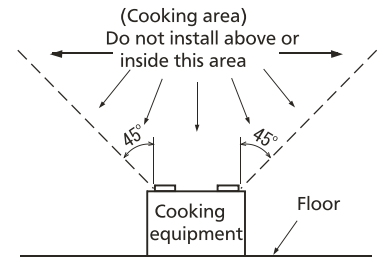


Fig. B

## WARNING:

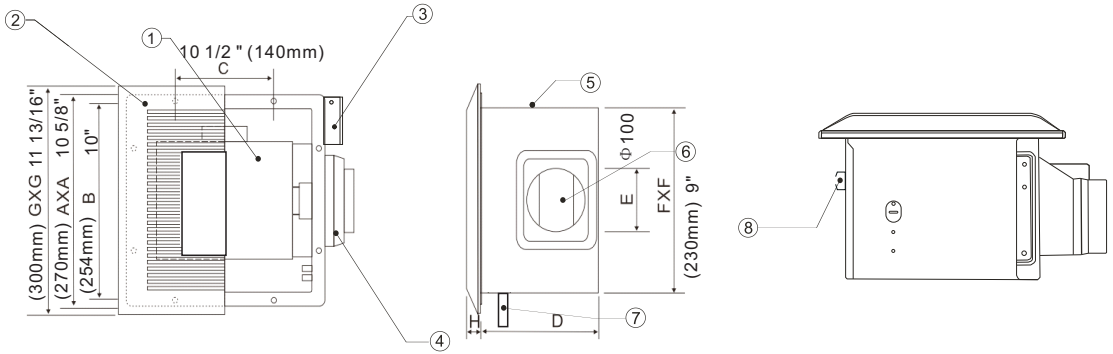
To reduce the risk of fire, electric shock or injury to persons, observe the following:

1. Use this unit only in the manner intended by the manufacturer. If you have any questions, contact to the manufacturer.
2. Before servicing or cleaning unit, switch power off at service panel and lock the service disconnecting means to prevent power from being switched on accidentally. When the service disconnecting means cannot be locked, securely fasten a prominent warning device, such as a tag, to the service panel.
3. Installation work and electrical wiring must be done by qualified person(s) in accordance with all applicable codes and standards, including fire-rated construction.
4. Sufficient air is needed for proper combustion and exhausting of gases through the flue (chimney) of fuel burning equipment to prevent back drafting. Follow the heating equipment manufacturer's guideline and safety standards such as those published by the National Fire Protection Association (NFPA), and the American Society of Heating, Refrigeration, and Air Conditioning Engineers (ASHRAE) and the local code authorities.
5. When cutting or drilling into wall or ceiling, do not damage electrical wiring and other hidden utilities.
6. Ducted fans must always be vented to the outdoors.
7. If this unit is to be installed over a tub or shower, it must be marked as appropriate for the application and be connected to a GFCI (Ground Fault Circuit Interrupter)-protected branch circuit.
8. These models are UL listed for tub and shower enclosures.
9. Not to be installed in a ceiling thermally insulated to a value greater than R40. (This is required for installation in Canada only)

# DIMENSIONS

BF100 BF200

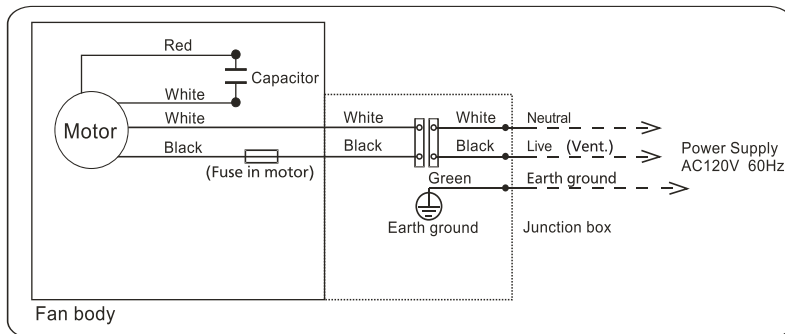
Unit: inches (mm)



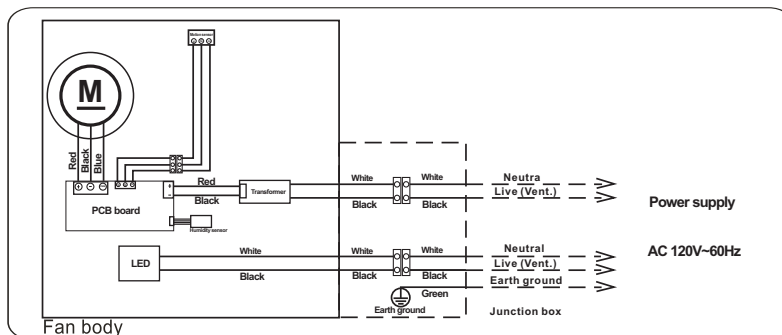
No.	Part name	No.	Part name
1	Blade	5	Fan body
2	Grille	6	Damper
3	Junction box	7	Suspension bracket
4	Adaptor	8	Bracket cover

# WIRING DIAGRAM

BF100



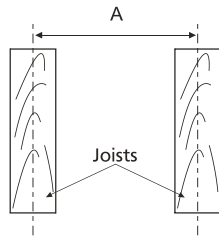
BF200



# INSTALLATION I (JOIST MOUNTING - I)

## Joist situation:

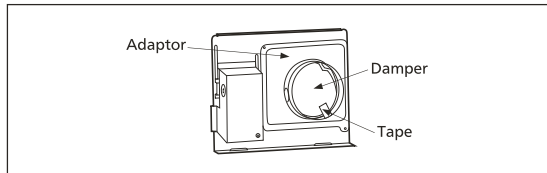
Spacing A is 16 inches (406 mm) to 24 inches (609 mm) on center joists



1. If the spacing A is 16 inches (406 mm) to 24 inches (609 mm) on center joists, please follow the installation step as below.

## IMPORTANT:

Remove the tape from damper and adaptor before installation. As shown below:

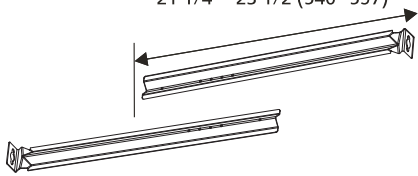


2. Insert the suspension bracket I and II into the fan body. (Select the suspension bracket connection holes as shown below) (Fig.1)

## Suspension bracket connect method:

Unit: inches (mm)

13 1/4 ~ 15 1/2 (336~394)  
 16 1/2 ~ 18 3/4 (419~480)  
 21 1/4 ~ 23 1/2 (540~597)



3. Install the suspension bracket and the flange of fan body to joists by using long screws (ST4.2X20) and secure it to the fan body by using screw II (ST4.2X14). (Fig.2)

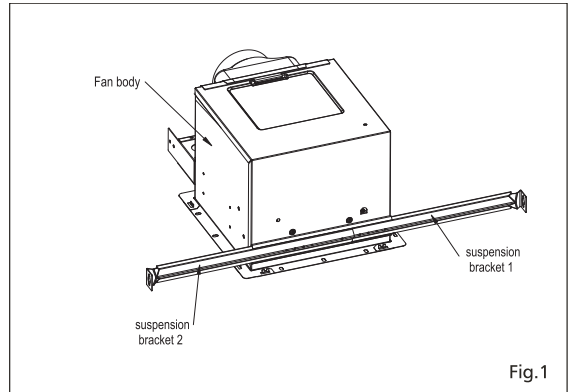


Fig.1

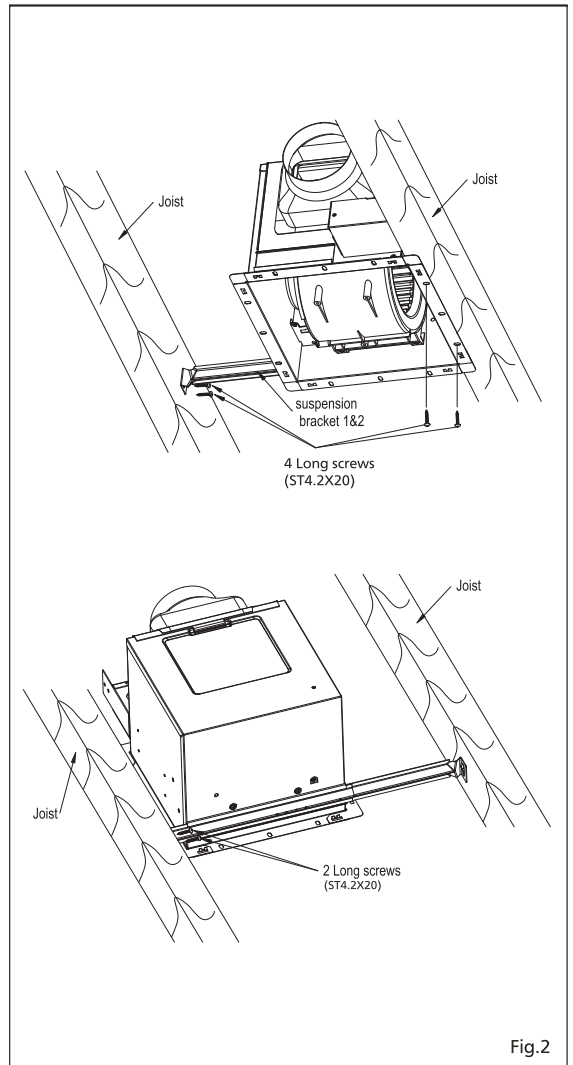


Fig.2

# INSTALLATION I (JOIST MOUNTING - I) CONTINUED

4. Install a circular duct and secure it with clamps or wire ties and seal it with mastic or approved duct tape. (Fig.3)
5. Remove junction box cover and secure conduit or stress relief to junction box knock-out hole. (Fig.3)
6. Refer to wiring diagram below. Follow all the local electrical safety codes as well as the National Electrical Code (NEC). Using UL approved wire nuts, connect house power wires to ventilating fan wires. (Fig.4)

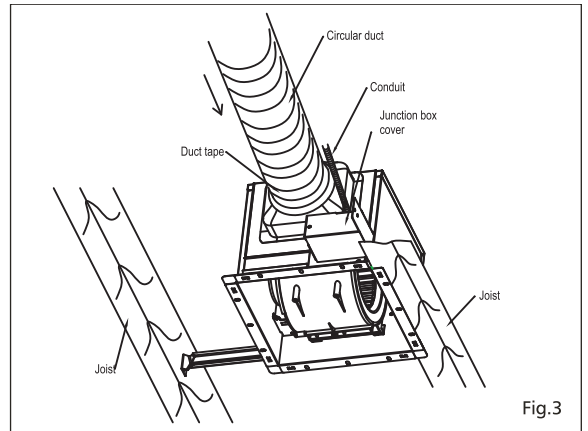


Fig.3

**CAUTION:**  
Mount junction box cover carefully so that lead wires are not pinched.

## WIRING DIAGRAM

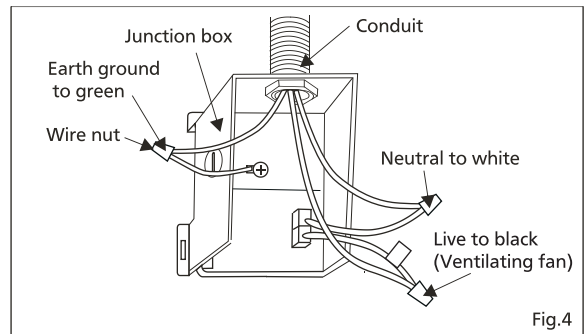
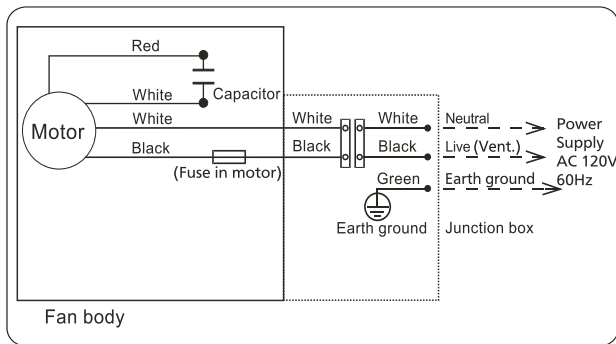


Fig.4

7. Finish ceiling work. Ceiling hole should be aligned with the inside edges of the flange. (Fig.5)

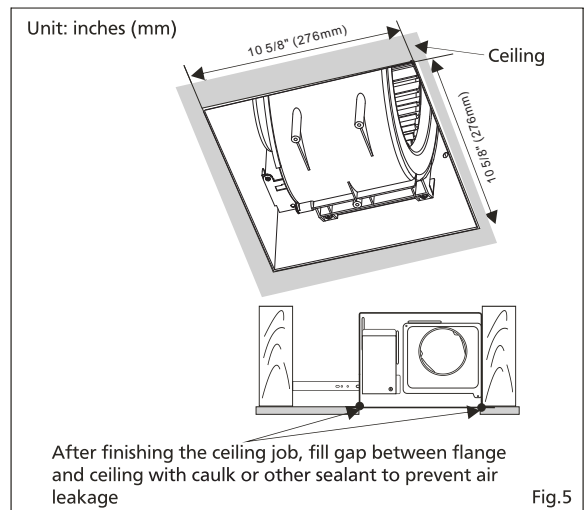
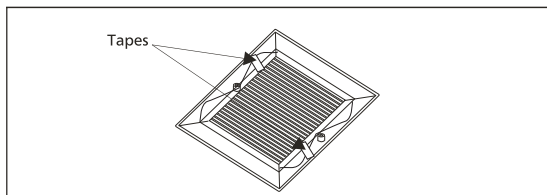


Fig.5

**IMPORTANT:**  
Remove the tapes from louver and springs before installation. As shown below:



8. Insert mounting springs into slots as shown and mount grille to fan body. (Fig.6)

**Notes:**  
Suitable for use with solid-state speed controls. Solid-state speed controls may cause harmonic distortion which can cause a motor humming noise.

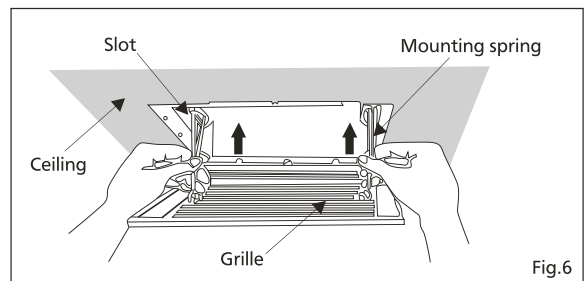
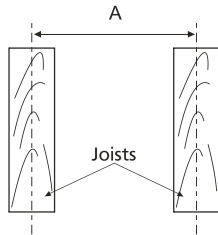


Fig.6

# INSTALLATION II (SUSPENSION BRACKETS MOUNTING)

## Joist situation:

Spacing A is 16 inches (406 mm) to 24 inches (609 mm) on center joists



1. If the spacing A is 16 inches (406 mm) to 24 inches (609 mm) on center joists, please follow the installation step as below.

2. Insert the suspension bracket I and II into the fan body and suspension bracket III into the adaptor. (Select the suspension bracket connection holes as shown below) (Fig.7, Fig.8)

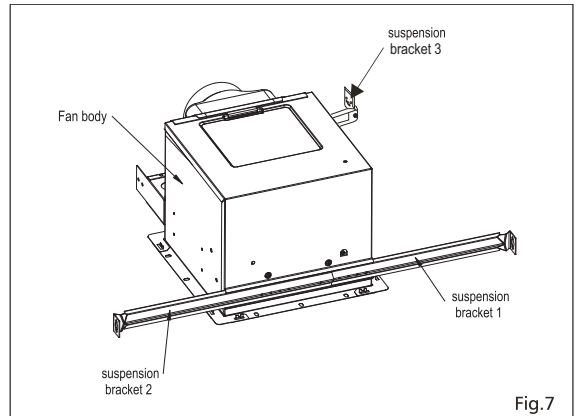


Fig.7

## Suspension bracket connect method:

Unit: inches (mm)  
 13 1/4 ~ 15 1/2 (336~394)  
 16 1/2 ~ 18 3/4 (419~480)  
 21 1/4 ~ 23 1/2 (540~597)

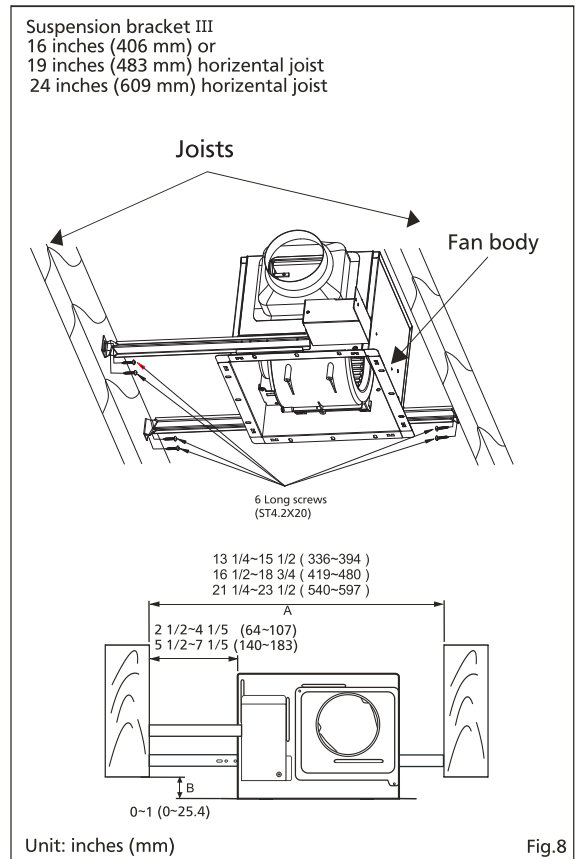
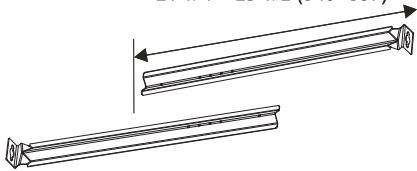
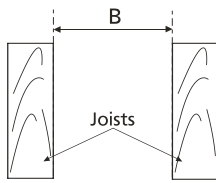


Fig.8

## INSTALLATION III (JOIST MOUNTING - II )

### Joist situation:

Spacing B is  
10 1/2 inches (266 mm) to  
11 1/2 inches (292 mm)  
on joists



1. If the spacing B is 10 1/2 inches (266 mm) to 11 1/2 inches (292 mm) on joists, please follow the installation step as below. (Fig. 9 )

2. Secure 4 long screws (ST 4.2X20) at flange of frame. (Fig.10)

3. Follow steps 4 to 8 of installation I (page 6) to complete the installation work.

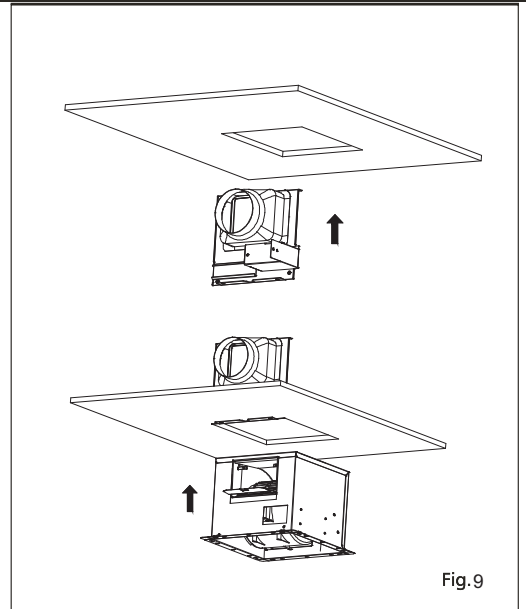


Fig.9

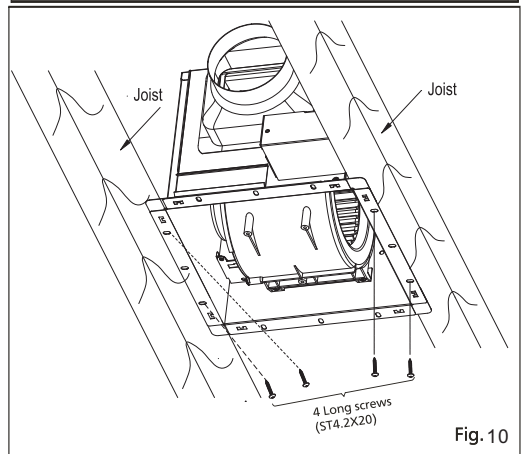


Fig.10

## SPECIAL INSTALLATION REPLACEMENT

Bathroom fans are an utmost necessity since they help in eradicating odors as well as humidity in the bathrooms. There is a multitude of steps involved in effectively installing bathroom fans. These include:

### Step 1: **Disassembly of the fan**

- You commence this step by gently removing the louver from the housing
- This is followed by removing all the screws that are connecting the motor to the housing/transformer turn by turn.
- Now ensure that you disconnect all the wires that spring from the motor and are attached to the housing. This should be carried out cautiously to avoid any wire getting damaged.

---

## SPECIAL INSTALLATION REPLACEMENT

---

### Step 2: **Disintegrating the motor and the adapter**

- After the screws and wires are removed, delicately hoist the motor from the housing/transformer and keep it aside.
- This is trailed by removing the screws again and disengage the adapter from the housing. It should be noted that there is a vivid track for the housing and the adapter.

### Step 3: **Creating an Opening in the Ceiling**

- Keeping in mind the exact measurements, create a 9- $\frac{1}{4}$ " to 9- $\frac{1}{4}$ " opening in the ceiling next to the joist.
- Then add wood filler across the joist and bolt it down with three screws. The wood fillers are essential to enhance the strength of the bathroom fan hanging from the ceiling.

### Step 4: **Re-Installing the Adapter and Motor**

- First, connect the unit to a suitable power source
- Install the adapter and the follow this by sliding the housing up along the track
- Once you the adapter is secured within the ceiling, install screws around the pre-drilled holes in the housing where there is wood filler and a joist.
- Install two screws that are connecting the adapter and housing. Make sure that all the screws are tightly fixed.
- Now slide the motor back into the housing and bolt it down with four screws at both sides to ensure that it is secured properly.

### Step 5: **Finalizing**

- Re-attach the wires of the motor with the housing, seeing to it that the reconnection is done appropriately
- Re-install the louver in the housing via inserting the double-hanger strings into the available brackets.
- Note carefully that for BF200 , please ensure to connect the LED light to the unit before proceeding this step.

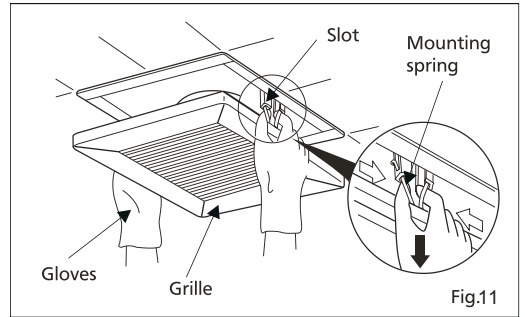
## MAINTENANCE (CLEANING)

### WARNING:

Disconnect power source before working on unit. Routine maintenance must be done every year.

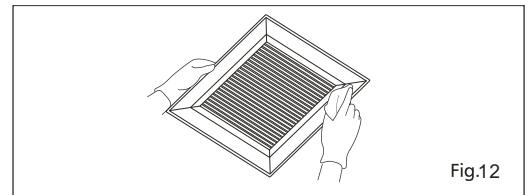
### CAUTION:

1. Never use gasoline, benzene, thinner or any other such chemicals for cleaning the ventilating fan.
2. Do not immerse motor in water when cleaning.
3. Do not soak resin parts in water over 140°F (60°C).



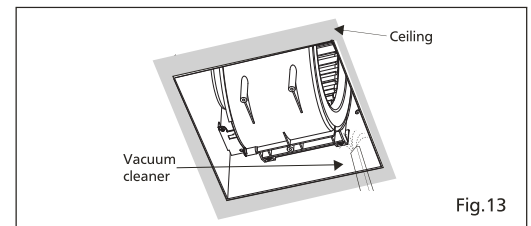
1. Remove grille. (Squeeze mounting spring and pull down carefully) (Fig.11)

2. Clean grille. (Don't put into hot water. Use non-abrasive kitchen detergent, wipe dry with clean cloth) (Fig.12).



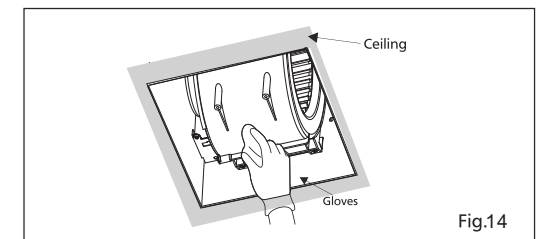
3. The grille should be dry after cleaning.

4. Remove dust and dirt from fan body using a vacuum cleaner. (Fig.13)



5. Using a cloth dampened with kitchen detergent, remove any dirt from fan body. Wipe dry with clean cloth. (Fig.14)

6. Replace grille.



# PRACTICAL GUIDE TO INSTALLATION

Properly insulate the area around the fan to minimize building heat loss and gain. (Fig.14)

Loose fill or batt insulation can be placed directly over the fan housing in the attic. Panasonic fans and fan/light combination units do not create excessive heat that is a common problem with recessed light fixtures or some competitors' fan/light combinations. Our efficient, cool-running motors and our fluorescent lamp do not create enough ambient heat to be subjected to these limitations.

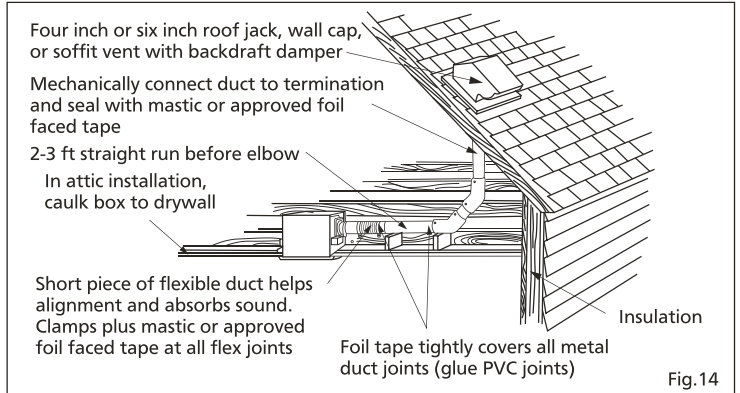


Fig.14

# SPECIFICATIONS

Model No.	Air direction	Voltage (V)	Frequency (Hz)	Duct diameter (inches)	Noise (sones)	Power consumption (W)	Speed (rpm)	Air volume at 0.1" WG (CFM)	Weight lb.( kg)
BF100-AC	Exhaust	120	60	4	1.26	36	1000	120	10(4.55)
BF200-AC	Exhaust	120	60	4	1.26	42	1000	120	11(5.0)
BF200-DC	Exhaust	120	60	4	1.26	25	1000	120	11(5.0)

HVI Certified performance based on HVI Procedures 915,916,and 920.

# PRODUCT SERVICE

For service please call 1-800-929-0168 we speak English, Cantonese and Mandarin; or E-mail to: [info@hauslane.com](mailto:info@hauslane.com)

**Website: [www.hauslane.com](http://www.hauslane.com)**

**Please include a daytime phone number or email address in your correspondence.**

## Product Registration

Register Your Product (send this page and make a copy yourself)  
Please mail in this warranty registration and Proof of purchase to:

Hauslane  
267 Wattis Way,  
South San Francisco CA 94080

---

## PRODUCT SERVICE

---

**Keep this book and your sales slip copy together for future reference. You must provide proof of purchase or installation date for in-warranty service.**

Write down the following information about your major appliance to better help you obtain assistance or service if you ever need it. You will need to know your complete model number and serial number. You can find this information on the model and serial number label located on the product.

Model No.: \_\_\_\_\_

Serial No.: \_\_\_\_\_

Purchased Date: \_\_\_/\_\_\_/\_\_\_\_\_

Purchased from: (dealer name)

\_\_\_\_\_  
Address: \_\_\_\_\_

\_\_\_\_\_  
Phone number: \_\_\_\_\_

Due to the continuous improvement, all specifications are subject to change without notice.  
Hauslane is not responsible for typographical errors are subject to corrections.