

# Assembly Instructions

**Caution : You must read this before you proceed**

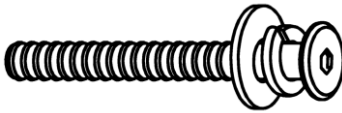

## DINING TABLE



### Part List

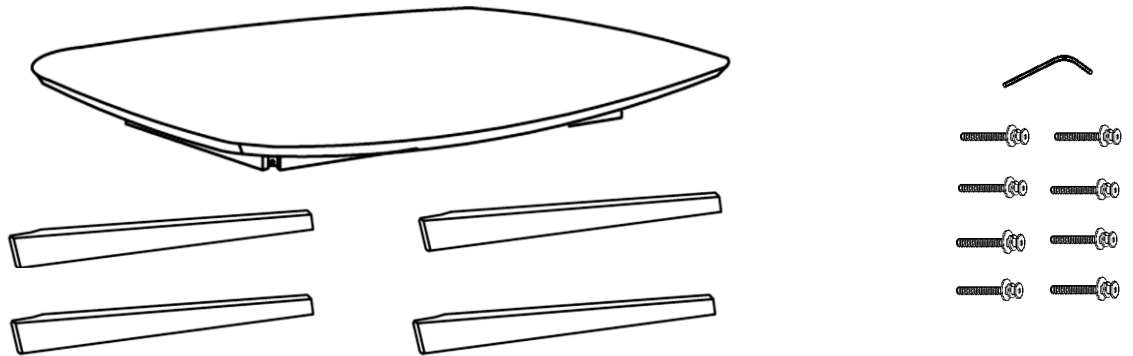
Label	Picture	Description	QTY
A	A line drawing of a rectangular table top with rounded corners, shown from a slightly elevated perspective.	Table Top	1
B	A line drawing of a single table leg, which is a tapered rectangular piece.	Table Leg	4

# Hardware

Label	Picture	Description	QTY
①		JCBB M8 x 80mm + S/W 5/16" + F/W 5/16" x 22mm	9
②		Allen Key M5	1

# Assembly Preparation

Before Beginning Assembly:



- Read instructions, cover to cover-



- Have 2 adults on hand for assembly-



- Do not assemble on flooring or carpet-



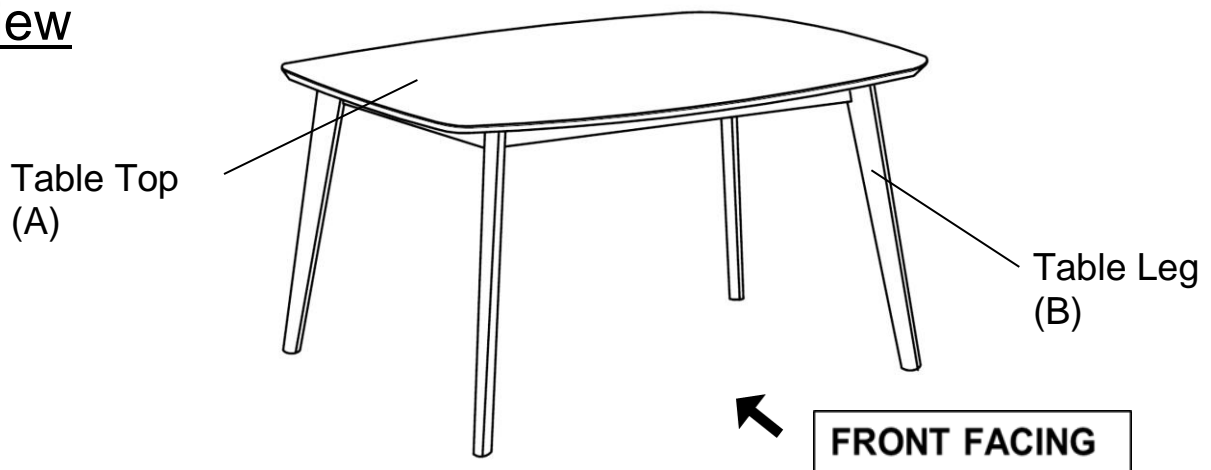
- Assemble on a clean non-marring surface (packing foam)-



- Save all packaging until finished-

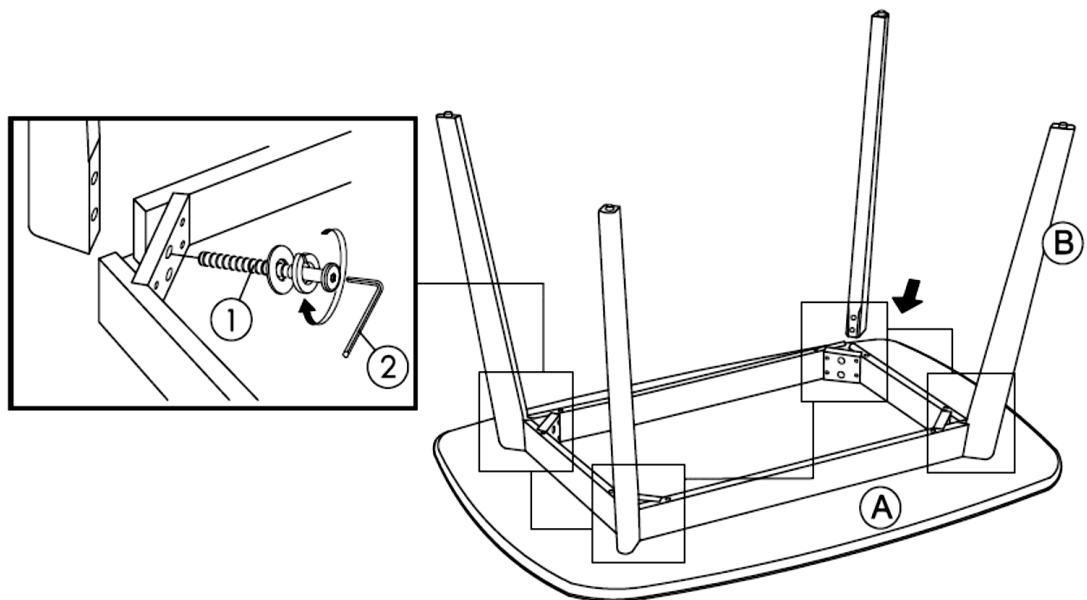
# Assembly Steps

## Overview



This Dining Table has multiple parts and may require up to some 30 minutes to assemble. To give you an overview of the Dining Table parts, the above picture is to help you put the various parts into perspective. Please read through the instructions below to familiarise yourself with the parts and steps before assembly.

## Step 1



Two adults are required whenever lifting and moving it.

Place the Table Top (A) onto a clean, soft surface to avoid any scratches or damages to the product.

Position the Table Leg (B) as shown. Fix the leg with JCBB Bolt ① + Spring Washer + Flat Washer using Allen Key ②.








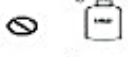

Repeat the step for another 3 leg.

**FULLY TIGHTEN THE BOLT NOW.**

With assistance from your adult partner, stand the Table up.

Your Table is now ready for use.

# Care & Maintenance

-  Do not put hot items directly on furniture surface
-  Do not clean furniture with harsh cleansers or polish.
-  Do not place furniture under direct sunlight.
-  Do not place furniture near heating or cooling vents.
-  Do not write on furniture without a padded barrier to protect the surface.
-  Do not place furniture outside . For indoor use only .
-  Not for commercial use. For residential use only .
-  Stains may be removed with mild soap solution and damp cloth.
-  Children should not climb or jump on the furniture.

- 
-  Dust and pick-up spills using a clean, non-colored, lint-free cloth .