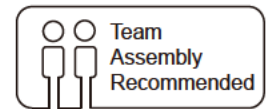
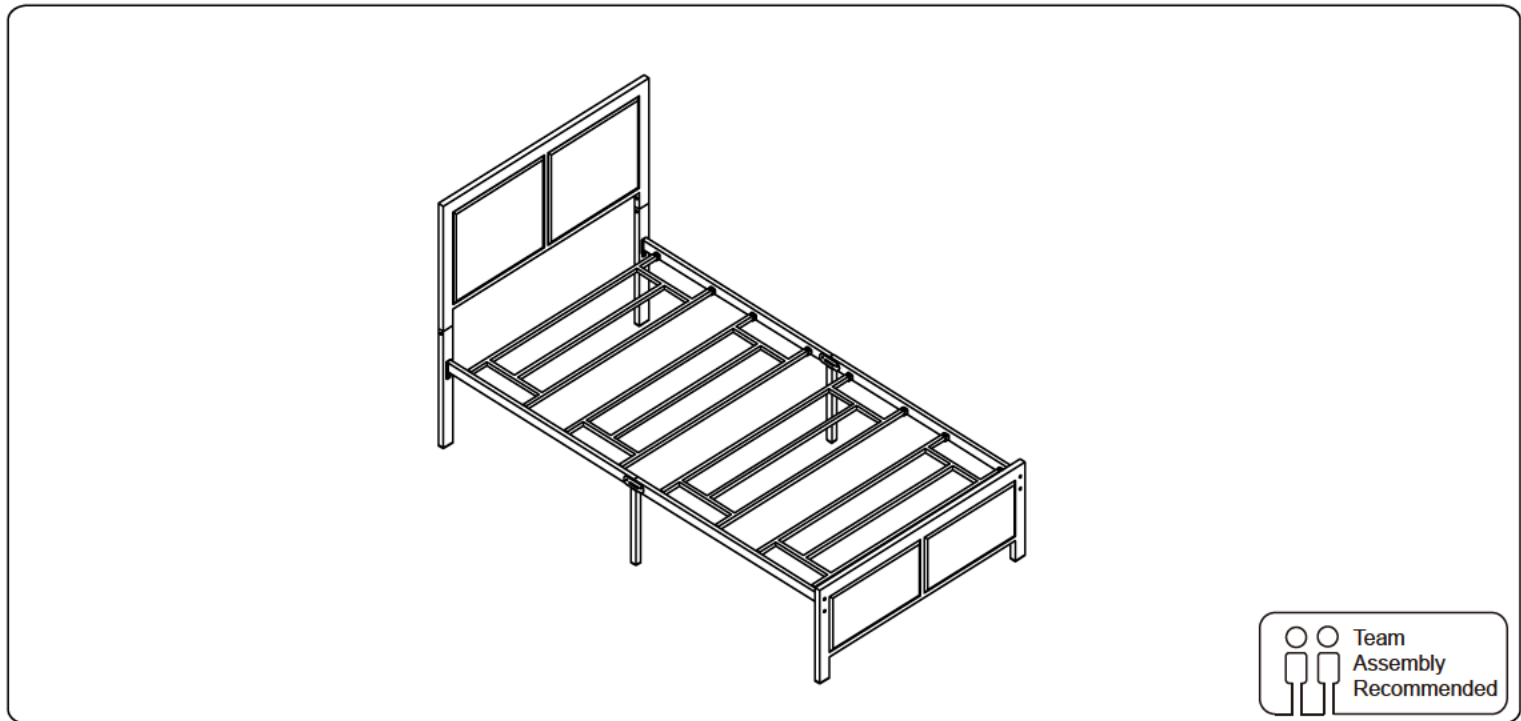


Bed Frame Installation Manual



Componets		Screws & Tools		
	1 X1	A		M8x40mm x4
	2 X2	B		M6x20mm x16
	3 X1	C		M6x15mm x10
	5 X1	L		M8 x8
	6 X1	M		M6x20mm x4
	8 X4	N		M4 x2

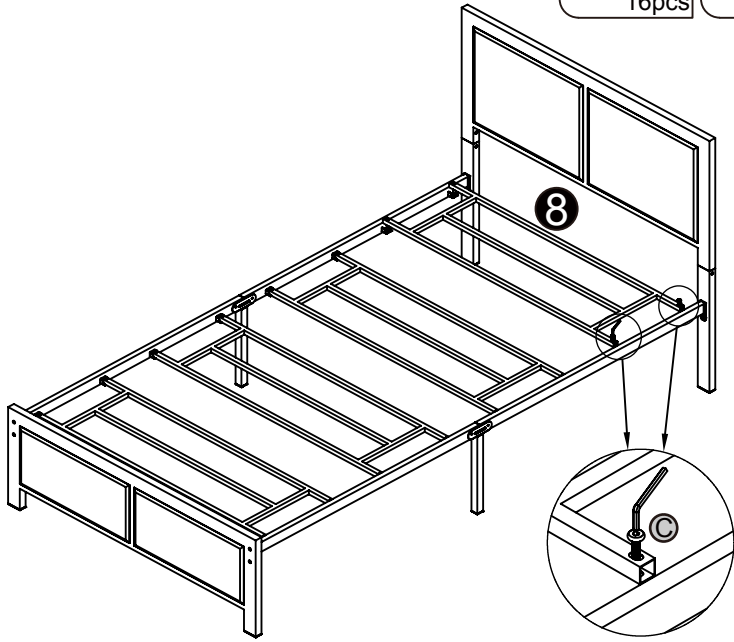
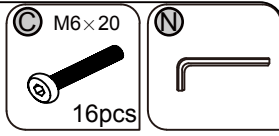
1 Note: For easy setup intention, do not tighten screws during the installation process

C M6x15 6pcs **N**

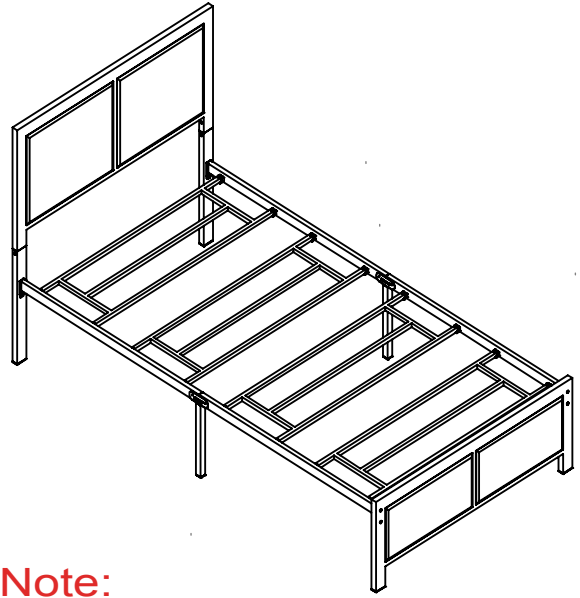
2

A M8x40 4pcs **C** M6x15 4pcs
L M8 8pcs **M** M6x20 4pcs
N

3



4



Note:
Check and tighten all screws