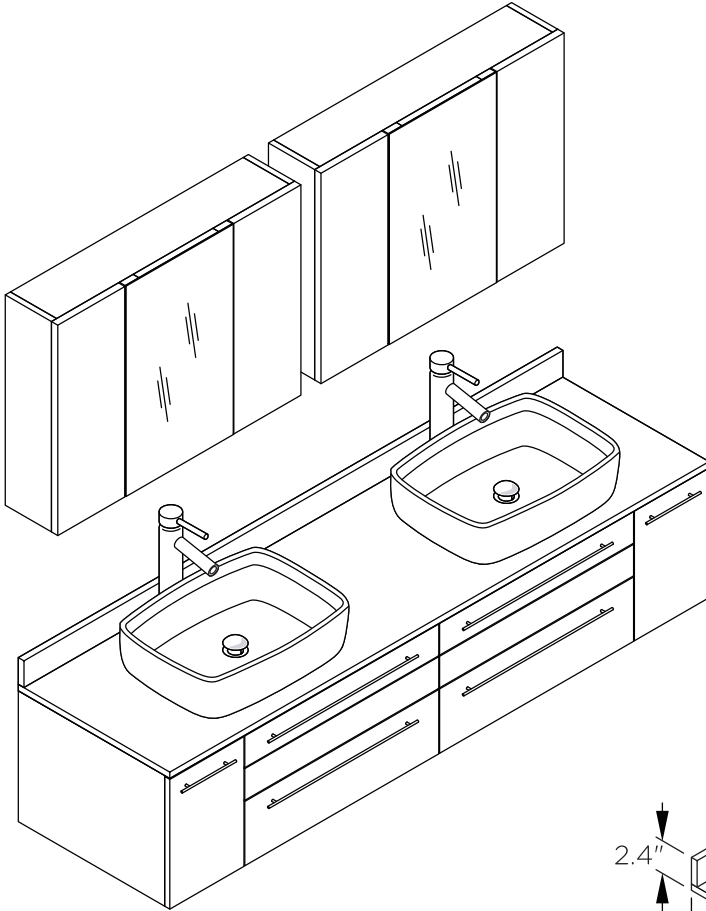
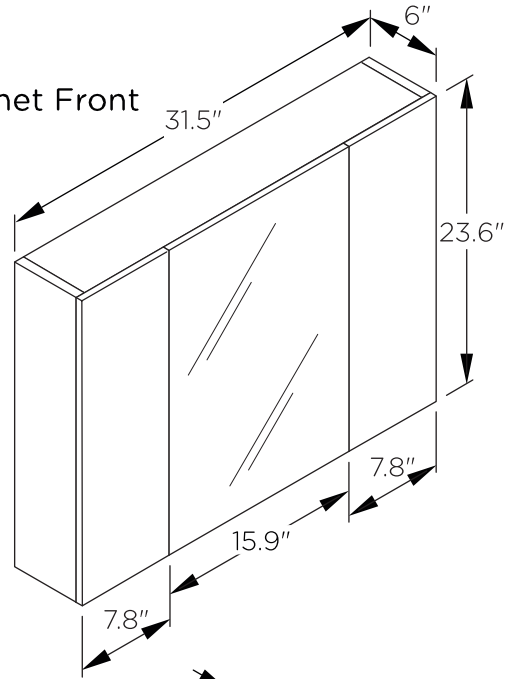


INSTALLATION GUIDE

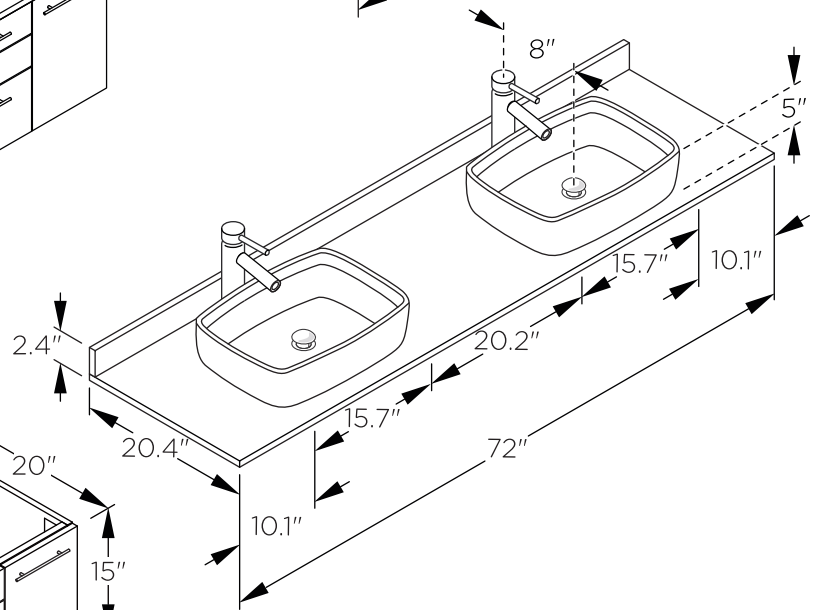
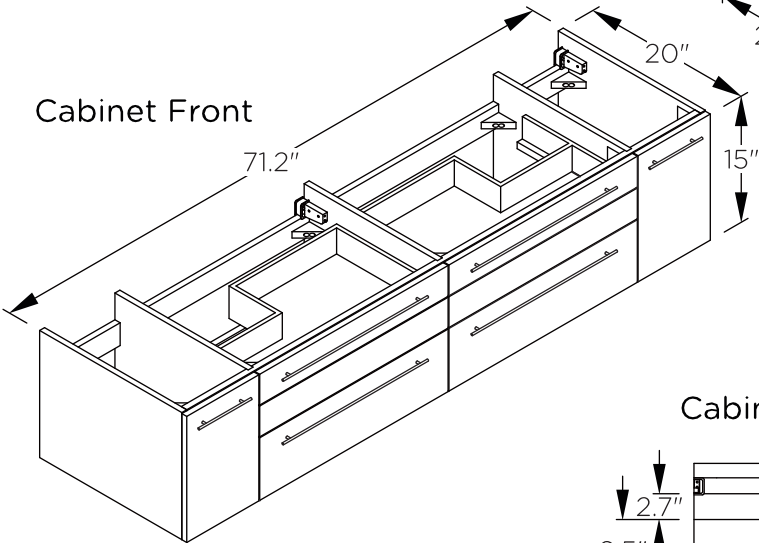
Vanity Ensemble Front



Medicine Cabinet Front

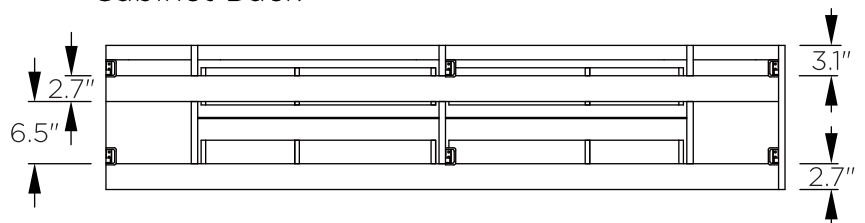


Cabinet Front

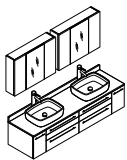


Counter Top Front

Cabinet Back

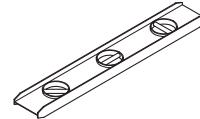
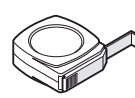
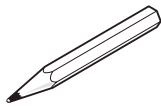
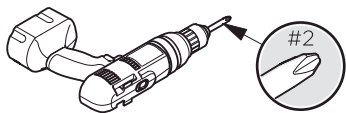


>All dimensions & specifications are approximate and subject to change without notice.



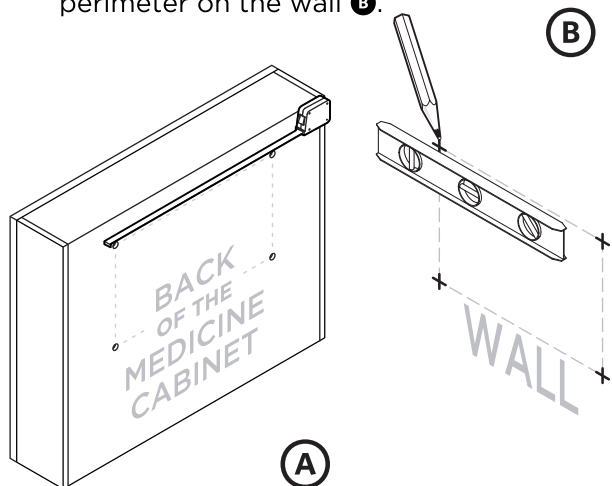
INSTALLATION GUIDE

TOOLS FOR ASSEMBLY

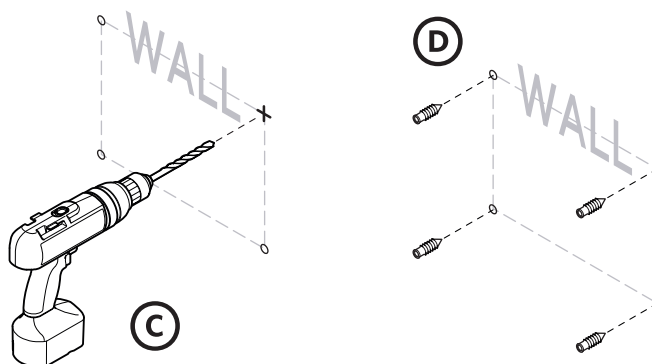


MEDICINE CABINET INSTALLATION

- 1** Measure distance between the mounting holes on the back of medicine cabinet **A** and mark the perimeter on the wall **B**.

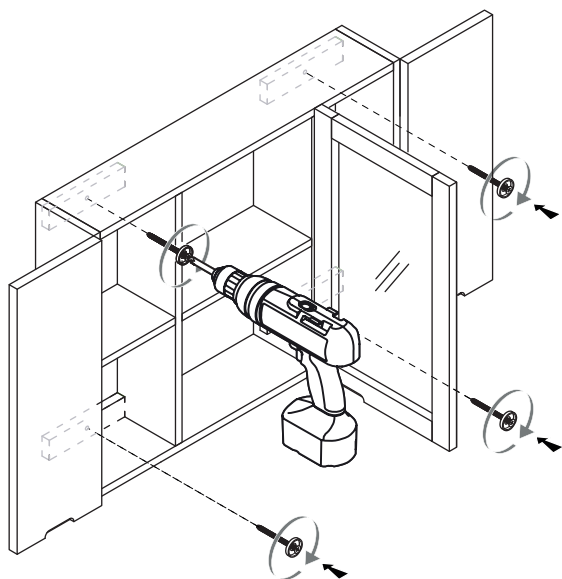


- 2** Once marked, drill the holes in the wall **C**.
*Insert the anchors in the holes **D**.

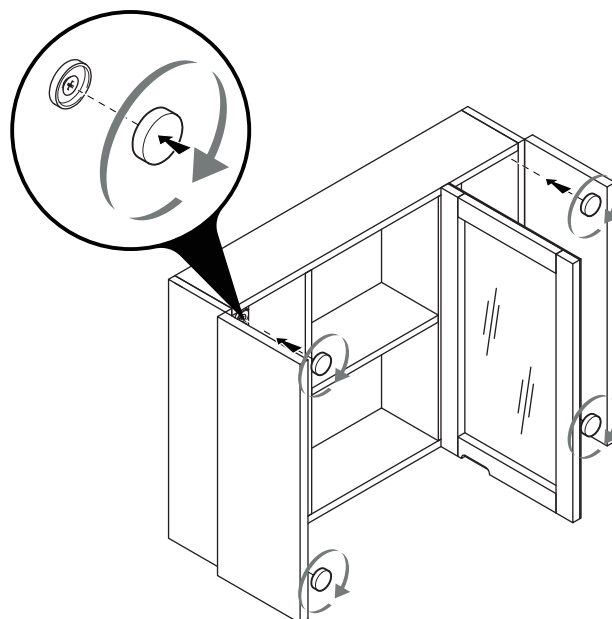


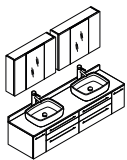
***IMPORTANT:** Consult an expert for the proper screws/bolts to use when attaching to various constructions. Screws provided do not attach to all wall construction types. Anchors are not required if brackets are installed in stud.

- 3** Connect medicine cabinet to the wall using a drill.



- 4** Cover the screws with the screw caps.

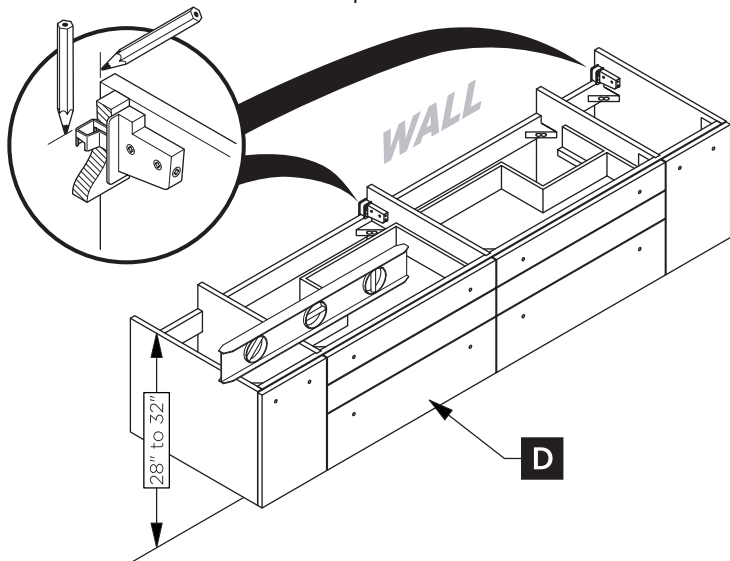




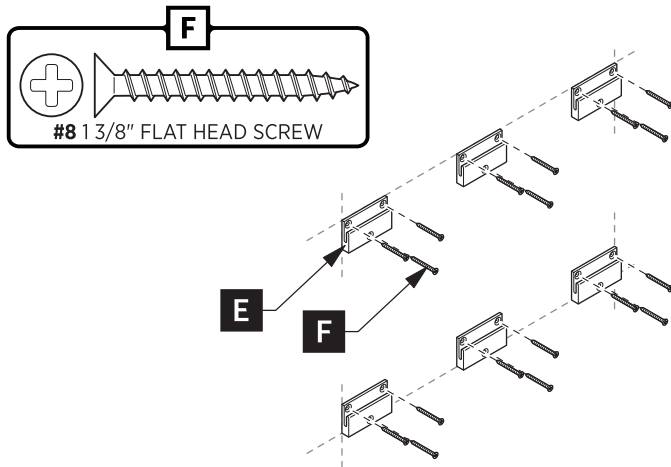
INSTALLATION GUIDE

CABINET INSTALLATION

- 1** Place cabinet (D) in designated location and mark the bracket position on the wall.

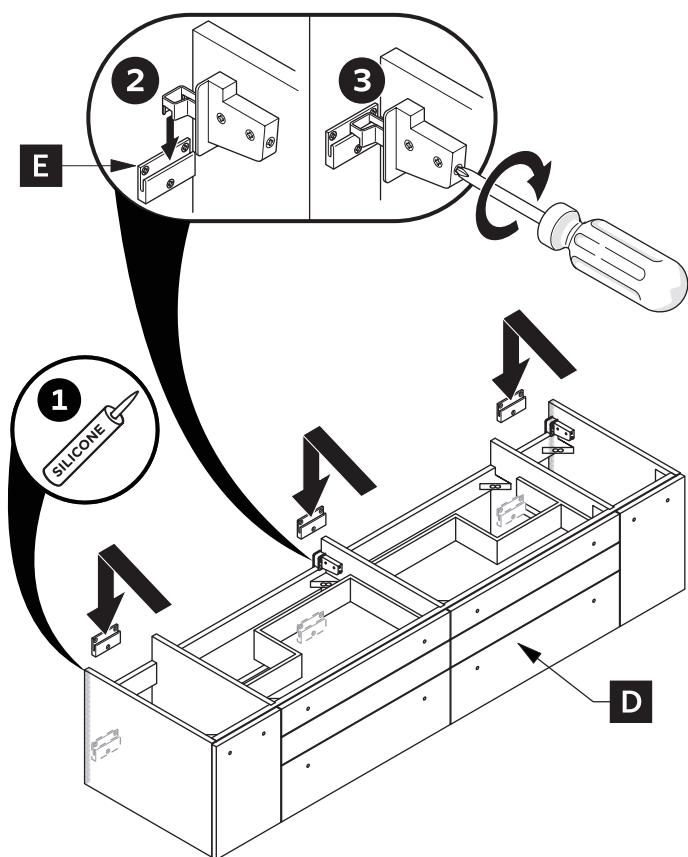


- 2** Attach wall brackets (E) to the wall with the screws (F).

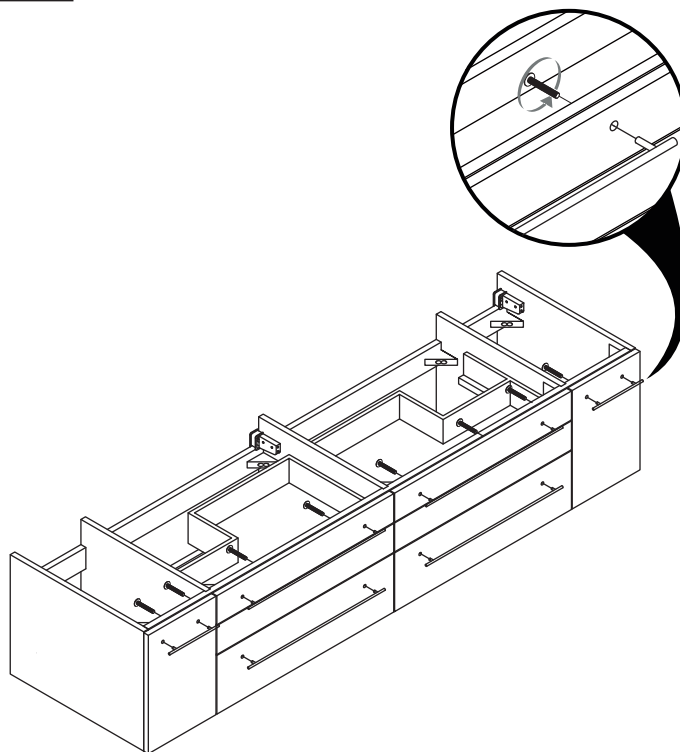


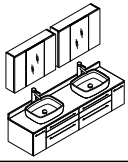
IMPORTANT: Consult an expert for the proper screws/bolts to use when attaching to various constructions. Screws provided do not attach to all wall construction types. Anchors are not required if brackets are installed in stud.

- 3** Apply a bead of the silicone and hang a cabinet (D) on the brackets (E).



- 4** Attach the handles to the cabinet.

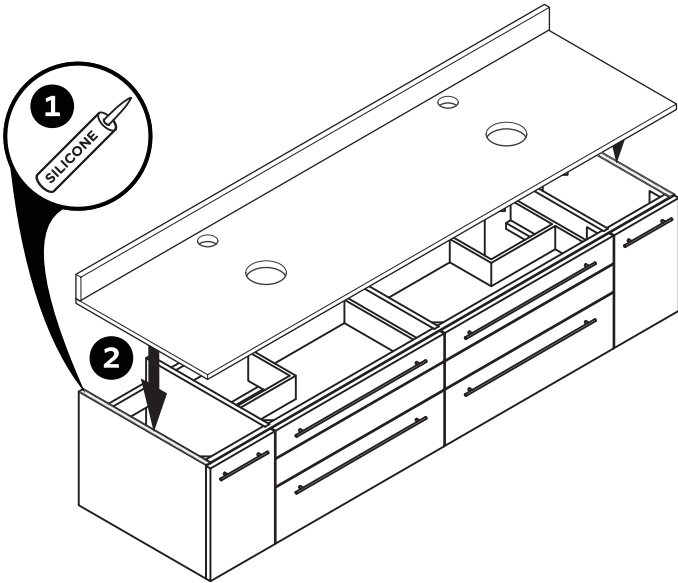




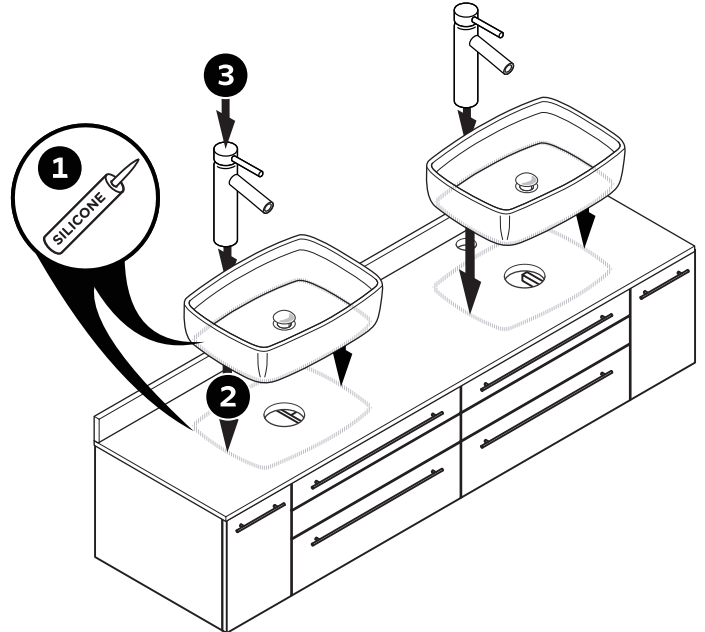
INSTALLATION GUIDE

CABINET INSTALLATION

- 5** Apply a bead of silicone on top of the cabinet. Place counter top on the cabinet.

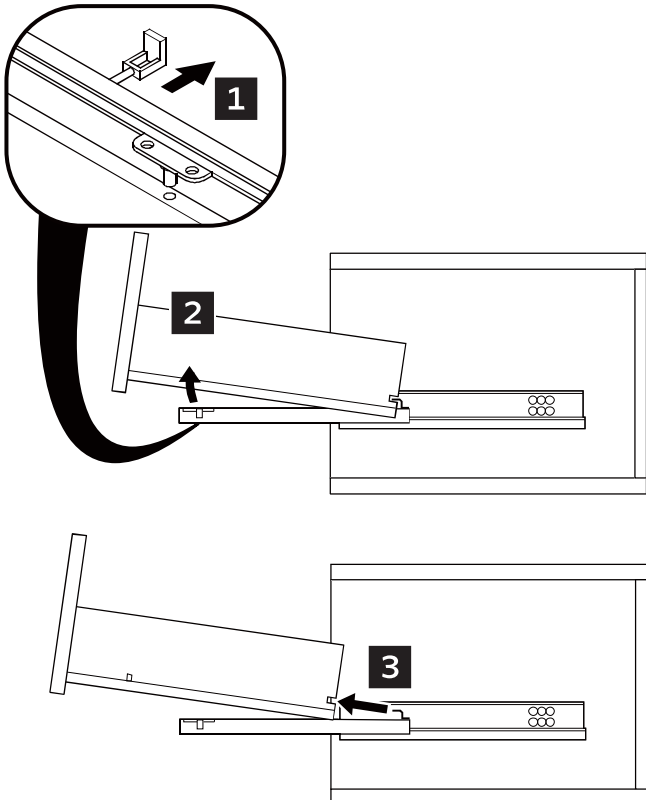


- 6** Apply a bead of silicone on the top of counter top and the bottom of the sinks. Connect sinks and faucets to the counter top.

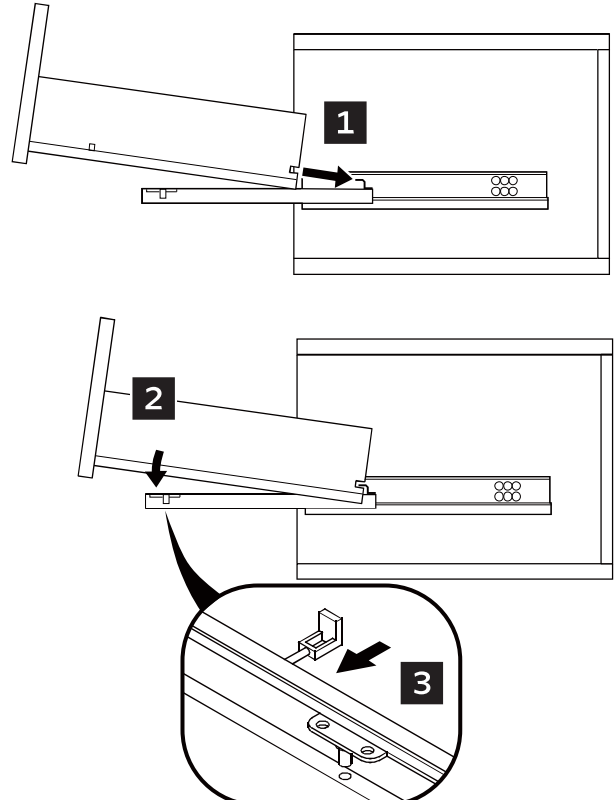


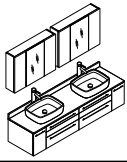
DRAWER REMOVAL & INSTALLATION

DRAWER REMOVAL



DRAWER INSTALLATION

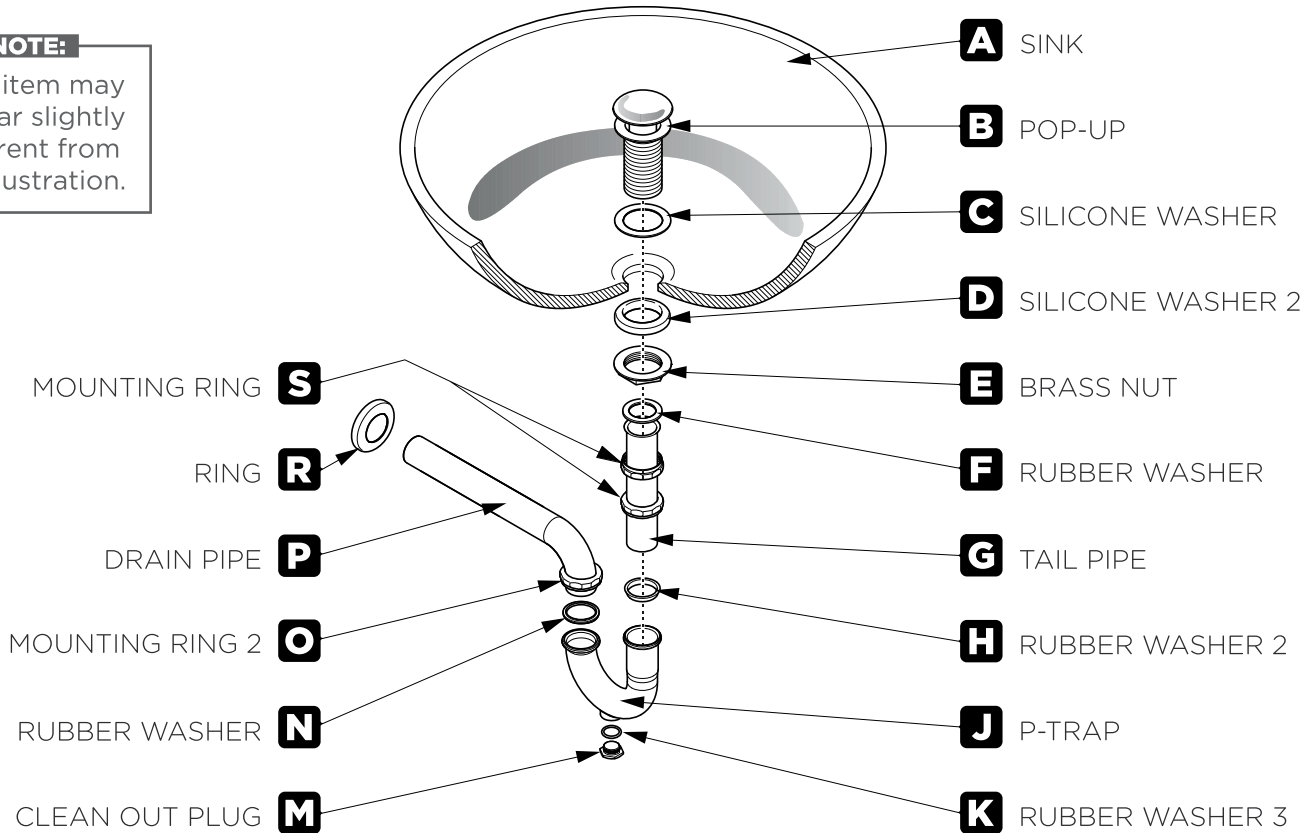




P-TRAP AND POP-UP INSTALLATION INSTRUCTIONS

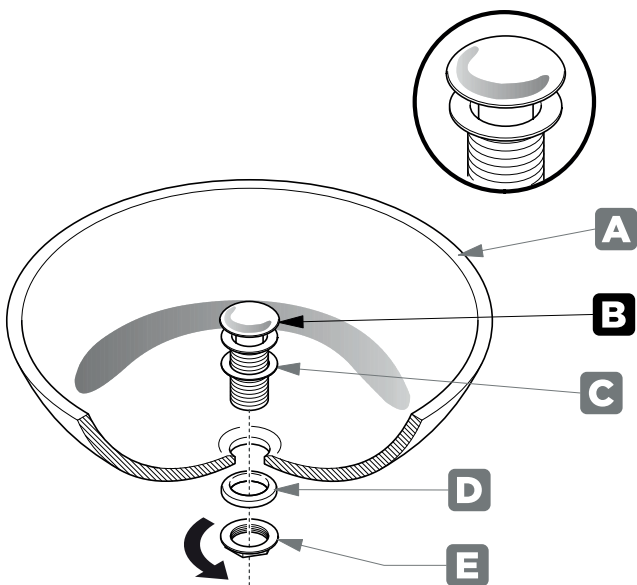
NOTE:

Your item may appear slightly different from the illustration.



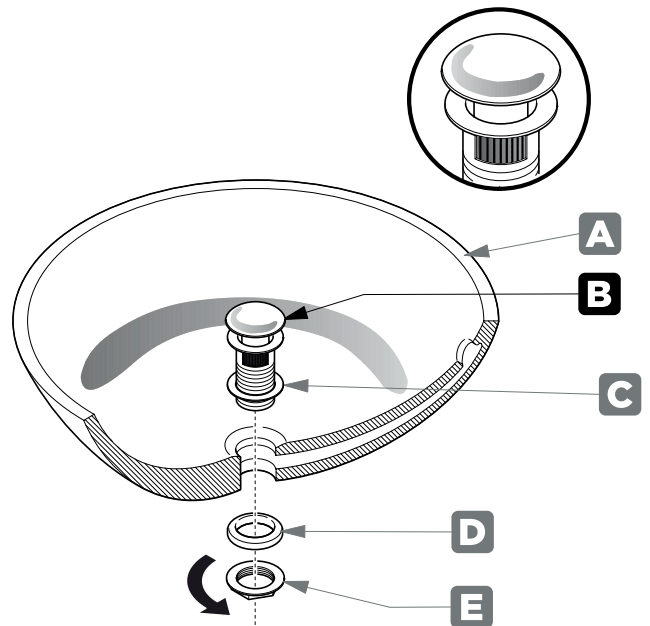
POP-UP INSTALLATION INSTRUCTIONS

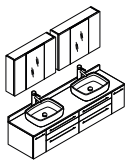
FOR SINKS WITHOUT OVERFLOW



OR

FOR SINKS WITH OVERFLOW

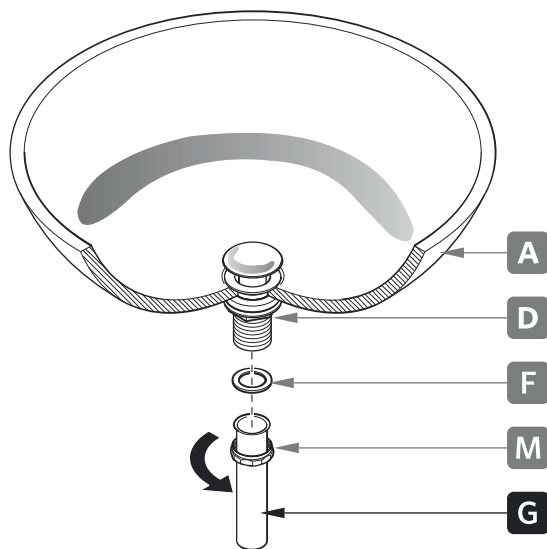




INSTALLATION GUIDE

P-TRAP INSTALLATION

- 1** Install tail pipe (G).



- 2** Connect P-trap (J).

