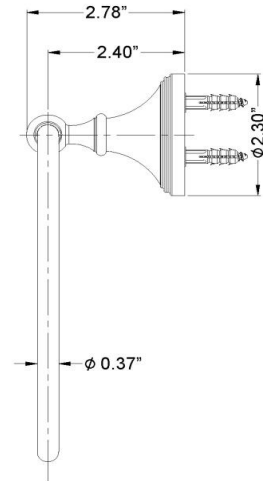
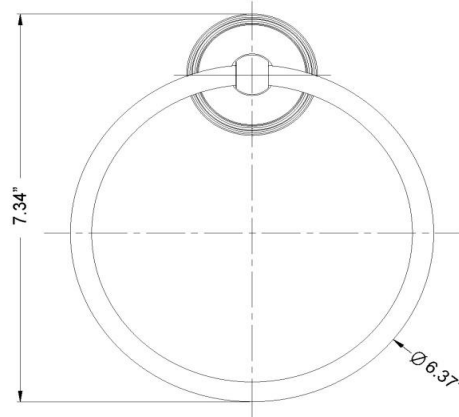


TECHNICAL DATA

#BA53 Series Towel Ring



Specifications :

- * Towel Ring ~ Material : Aluminum or Steel
 - ~ Finish : Ch - Aluminum in Shiny Polished
 - : SN - Aluminum by Anodization
 - : ORB - Steel by Electroplating
 - ~ Ring Dia. : 0.37"
- * Mounting Bracket ~ Material : Zinc alloy
 - ~ Finish : Ch / SN / ORB - By electro-plating
- * Mounting Hardware Included
 - : #10 x 1" Panhead Zinc-plated Steel Mounting Screws x 2 pcs
 - : Plastic anchor x 2 pcs

Arista Bathroom Accessories



WT International Inc.

4100 Cedar Commercial Drive NE, Cedar Springs, MI 49319, USA

sales@aristabath.com



Design & Quality Defined™

www.aristabath.com