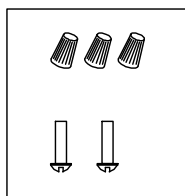
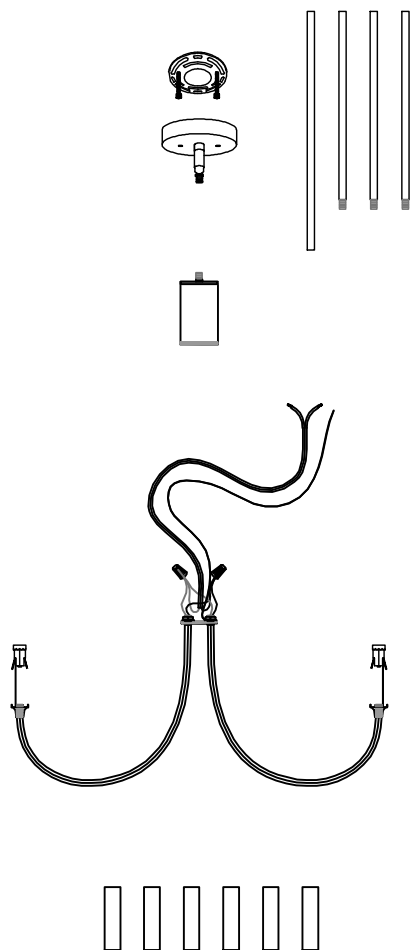
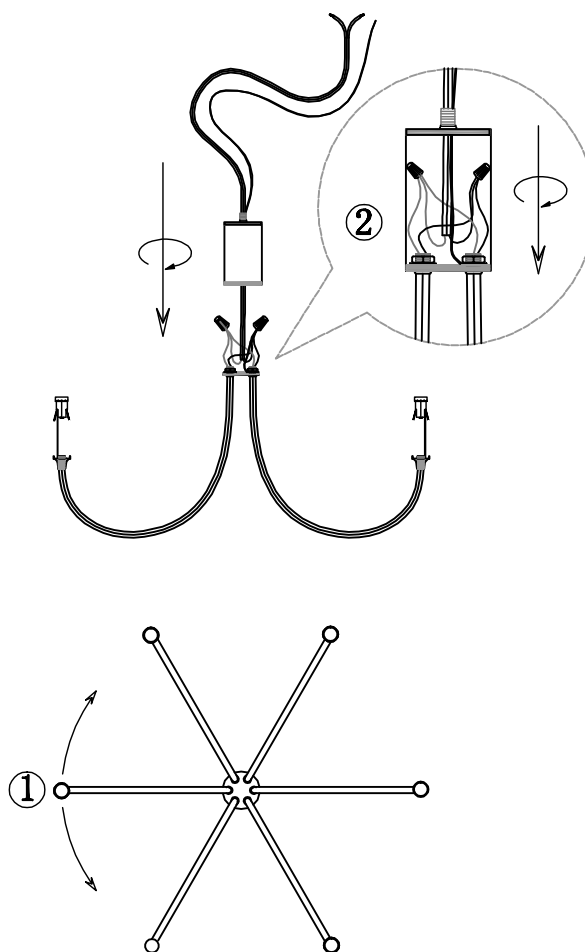


Parts

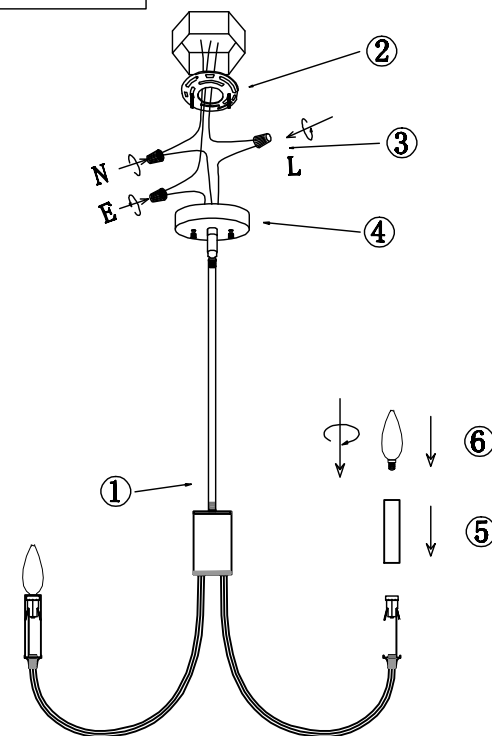


Steps 1



1. Adjust the positions of the 6 lamp arms as shown in the picture.
2. Pass the main wire and ground wire through the cylindrical hardware as shown in the picture, then rotate the hardware to tighten.

Steps 2



1. Get through the lamp wire to the hanging rod, and screw hanging rod to the light fixture. Get through the lamp wire to the canopy, and screw the canopy to the hanging rod.
(Install the hanging rod according to the length of the hanging rod you need)
2. Assembled the mounting bracket to the ceiling junction box with the screw
3. Connect the power cord out from the ceiling junction to lamp wires with the lead wire and wire nut. According wire color to connect. (black for "L", white for "N", copper wire for "Ground E")
4. Assemble the canopy to the mounting bracket by tightening the ball nuts
5. Put the lamp tube on the lamp holder.
6. Install the bulb. Bulbs need to be purchased separately.