

KITCHEN CABINET

User Manual

INTRODUCTION

Thank you for purchasing our products. Committed to providing customers with the best quality products and service has always been our lifelong goal. Before using the product, please read this instruction manual carefully to ensure correct use. Keep the instruction manual in a place where the user can find it at any time.

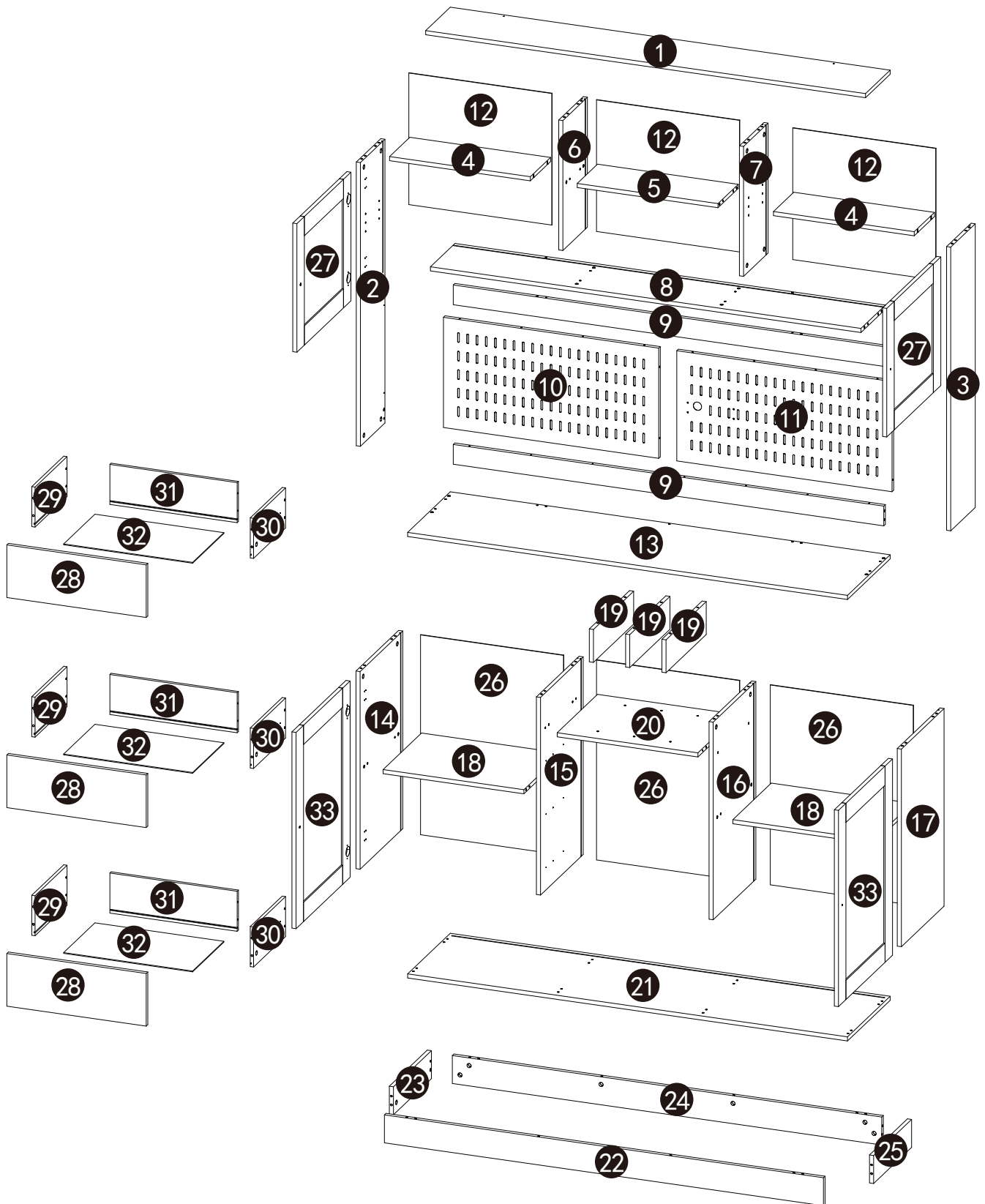
PRECAUTIONS

1. There are many components and accessories in the package. Each component and accessory is labeled with a letter or a number, check carefully before using any of them. Keep them away from children to prevent accidents.
2. Please install the product on a clean and soft underlay (such as carpet or cardboard) to avoid scratching or damaging the surface of the product.
3. The main components of the product is relatively heavy. Please pay attention to safety during installation.
4. The product is not stable during installation. Please do not move it randomly before it is completely installed.
5. If you have any questions during installation, please contact the customer service in time.

***PLEASE BE SURE TO FOLLOW THE INSTALLATION STEPS IN THE MANUAL TO AVOID UNNECESSARY LOSSES CAUSED BY IMPROPER INSTALLATION.**

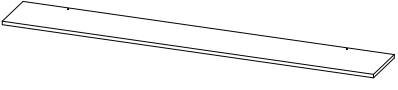
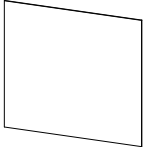

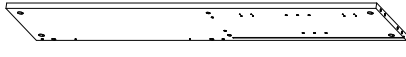
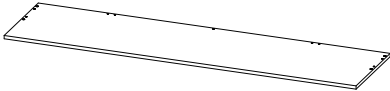
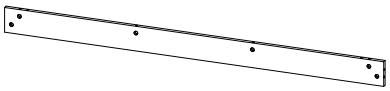
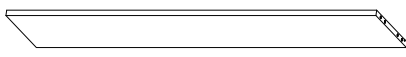
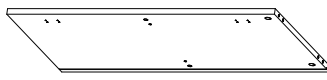
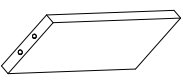
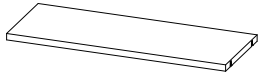

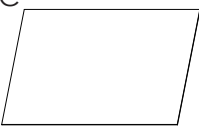


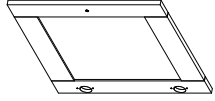
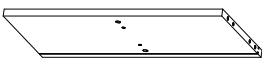
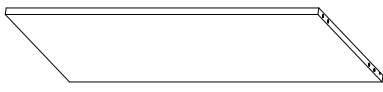
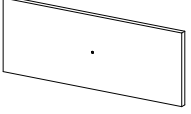
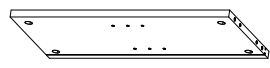
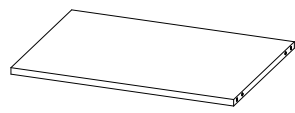
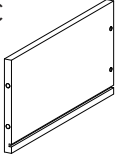

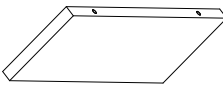
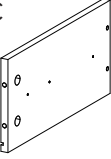

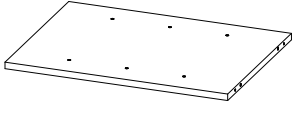
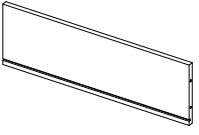
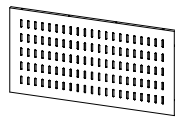
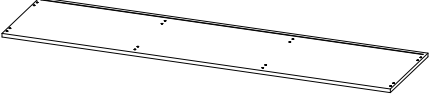
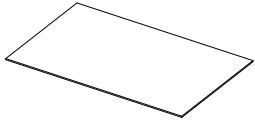
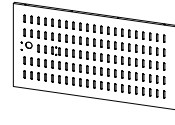

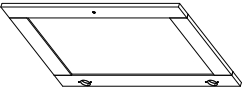
***IF YOU NEED FUTHER ASSIATANCE, PLEASE CONTACT THE CUSTOMER SERVICE ONLINE.**

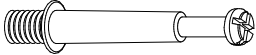
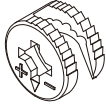




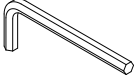
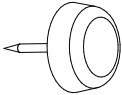
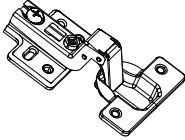
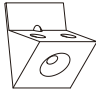
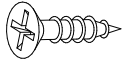
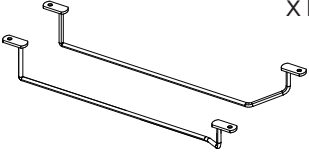

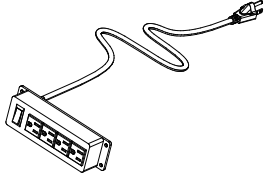
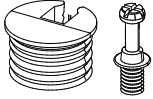

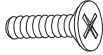
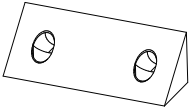
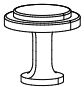
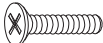

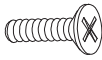
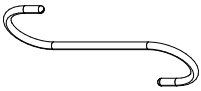
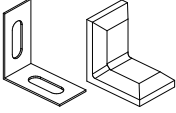
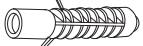
Plate number

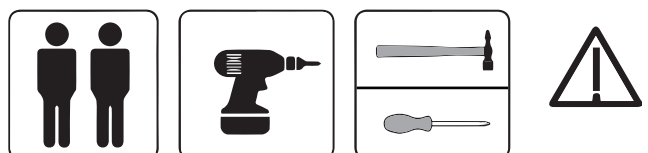
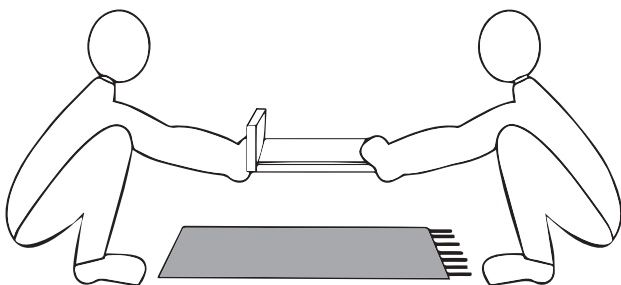


PARTS LIST

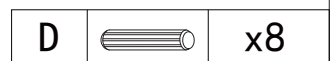
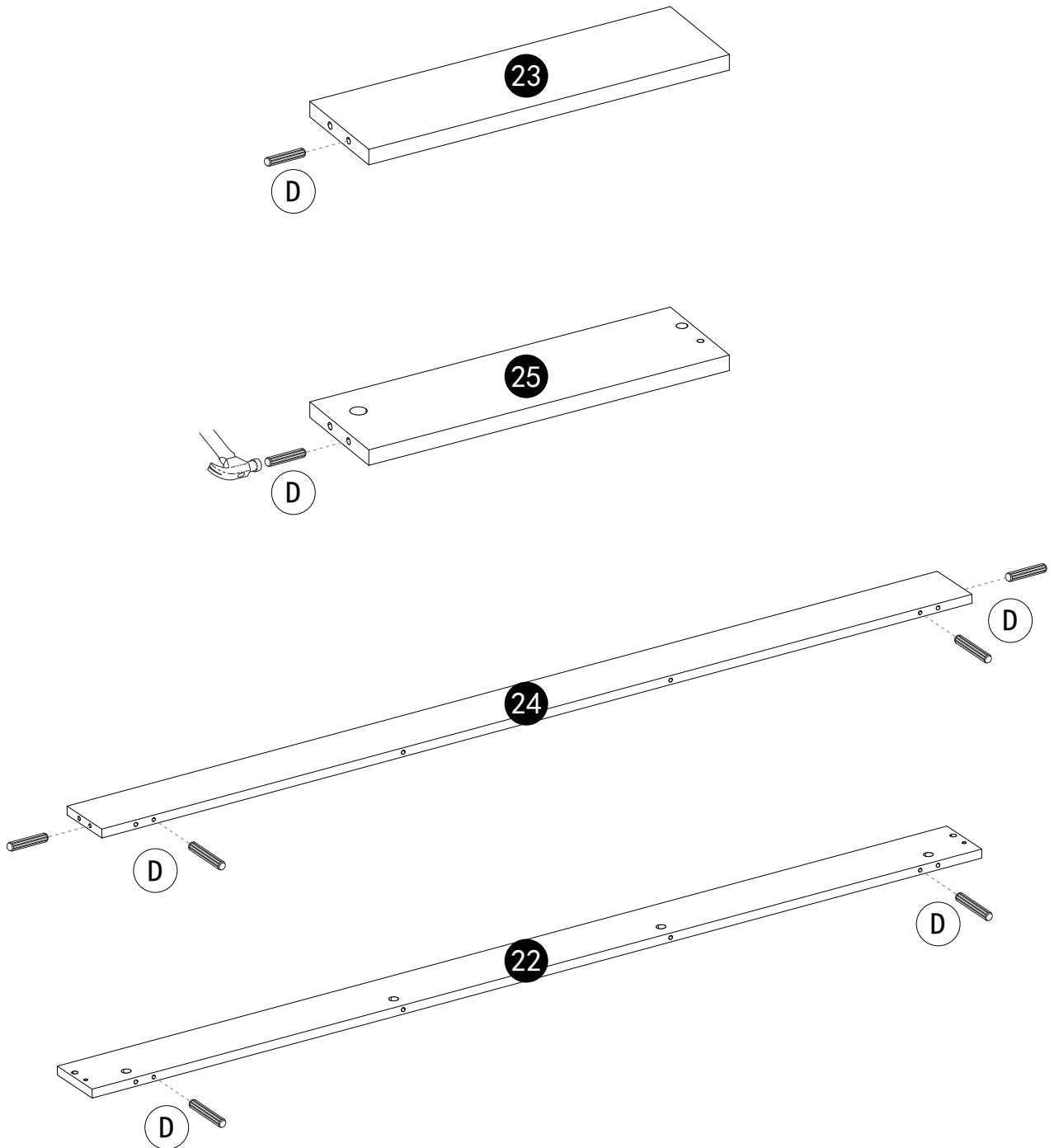
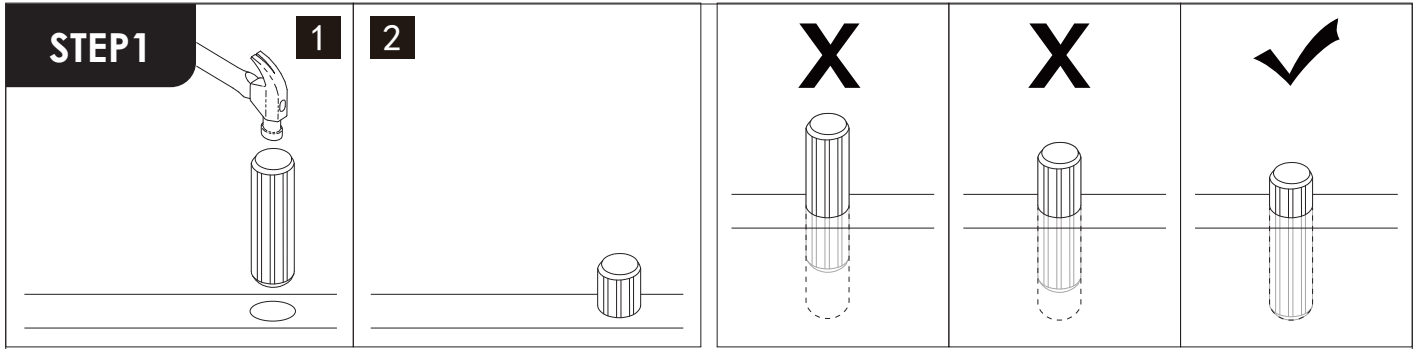
Unit: (mm)

1 x1 PC A box 	12 x3 PC B box 	23 x1 PC A box 
2 x1 PC A box 	13 x1 PC A box 	24 x1 PC A box 
3 x1 PC A box 	14 x1 PC B box 	25 x1 PC A box 
4 x2 PC B box 	15 x1 PC B box 	26 x3 PC B box 
5 x1 PC B box 	16 x1 PC B box 	27 x2 PC B box 
6 x1 PC A box 	17 x1 PC B box 	28 x3 PC B box 
7 x1 PC A box 	18 x2 PC B box 	29 x3 PC A box 
8 x1 PC A box 	19 x3 PC B box 	30 x3 PC A box 
9 x2 PC A box 	20 x1 PC B box 	31 x3 PC B box 
10 x1 PC A box 	21 x1 PC A box 	32 x3 PC B box 
11 x1 PC A box 	22 x1 PC A box 	33 x2 PC B box 

Unit: (mm)		ACCESSORIES LIST		B box	
A 6x35	x68 PC	B 15x10	x68 PC	C 12 inches	x6 PC
					
D 6x30	x76 PC	E M3.5x14	x100 PC	F M5x40/#3	x30 PC/x1 PC
					
G Ø12x5	x10 PC	H Hinge	x8 PC	J M3x14	x24 PC
					
K	x1 PC	L 21mm	x56 PC	M	x1 PC
					
N 141mm	x8 PC	O M3.5x12	x18 PC	P M4x10	x4 PC
					
Q	x4 PC	R M4x18	x7 PC	S M4/M4x10	x2 PC
					
T 100mm	x6 PC	U	x2 PC		
					

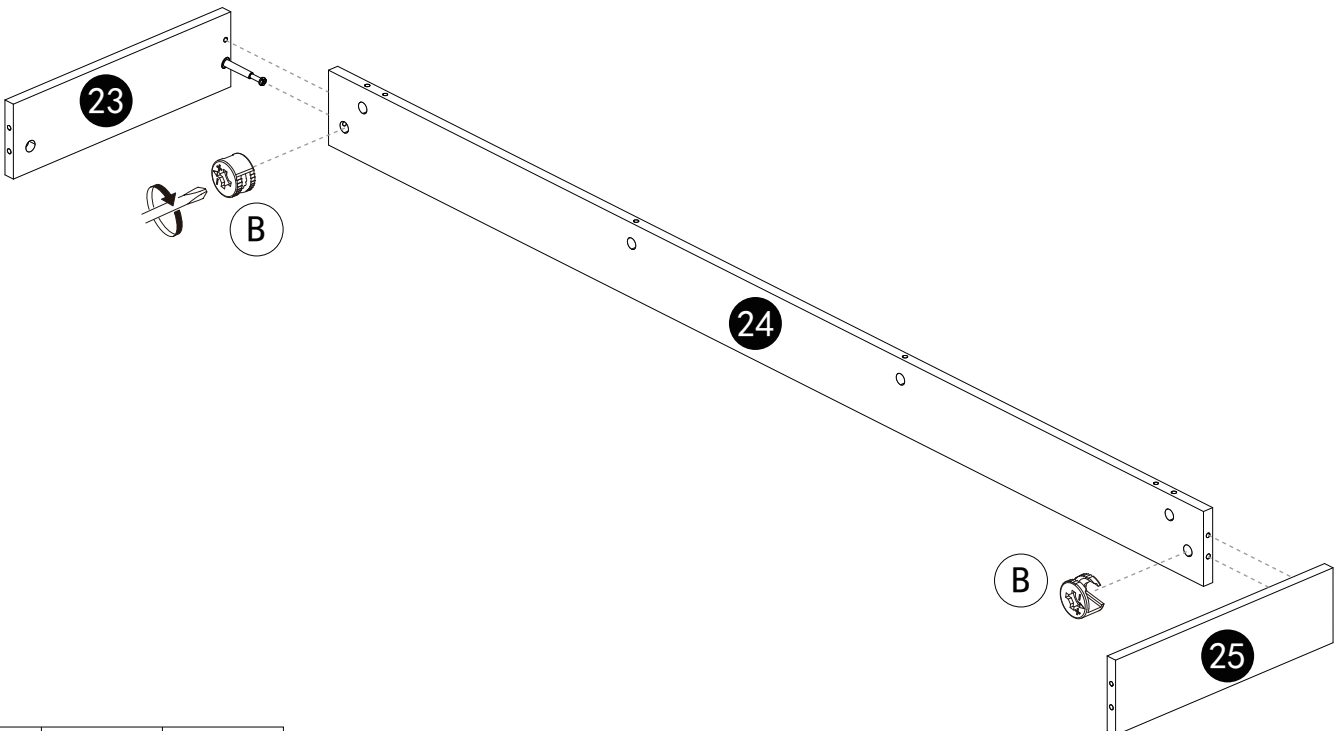
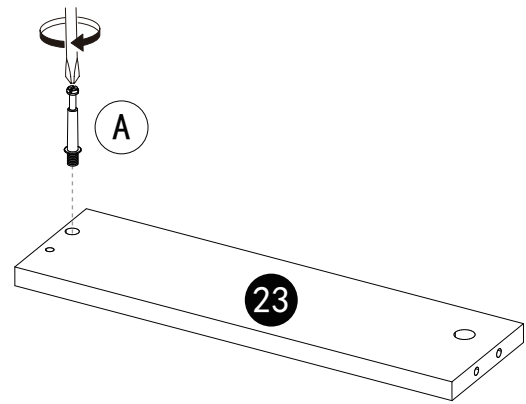
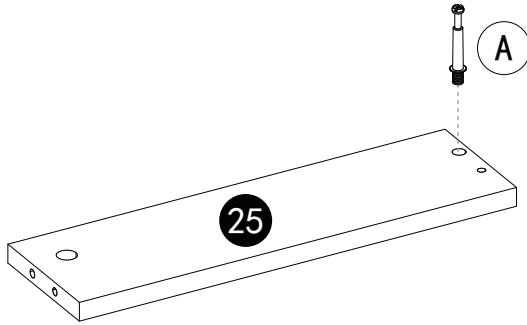
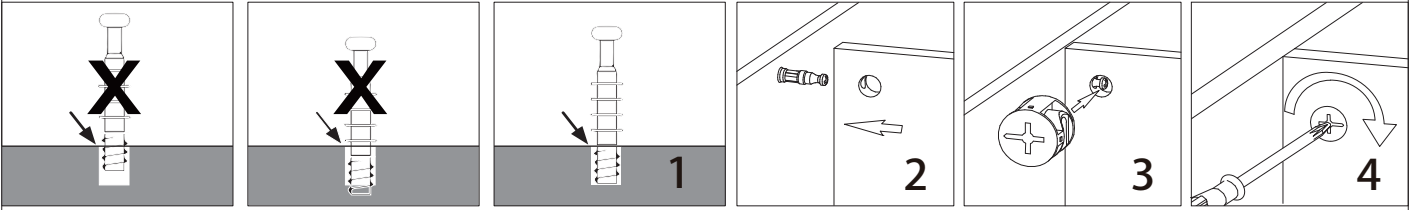
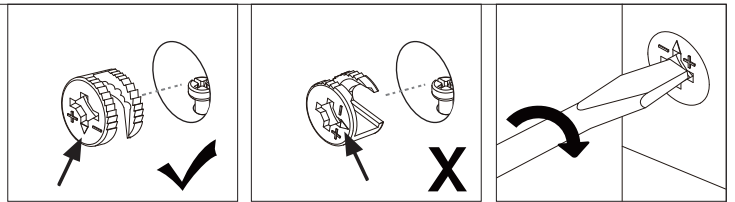


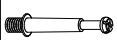

INSTALLATION INSTRUCTION



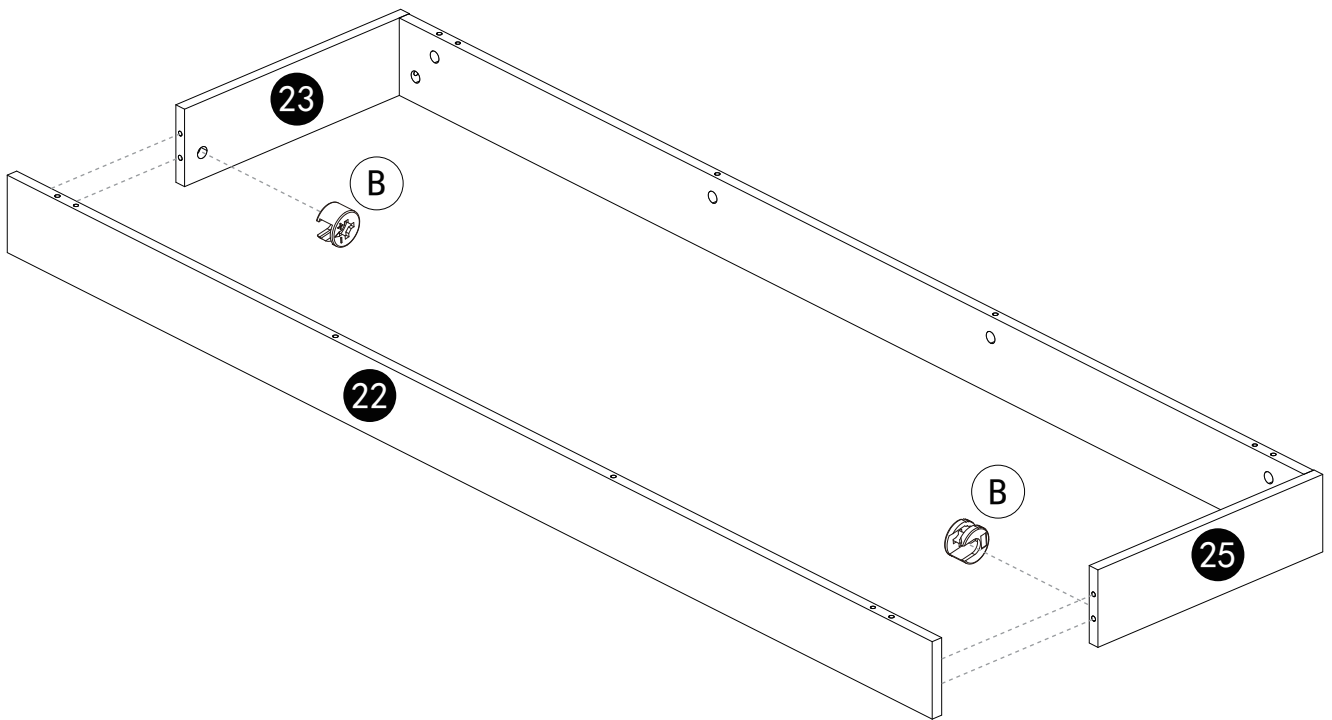
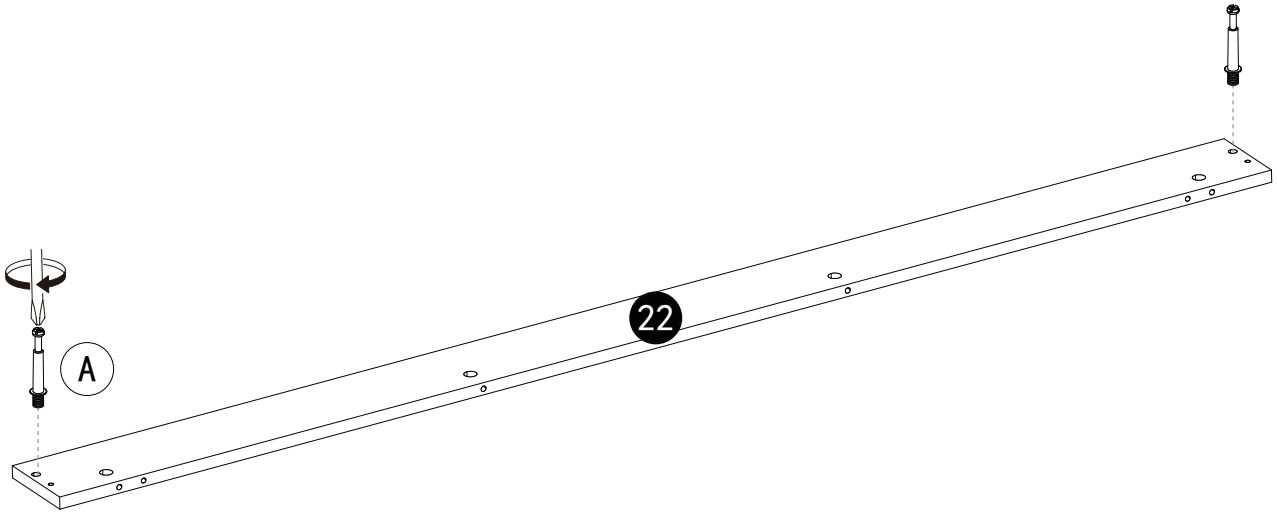
STEP 2

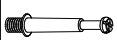

Installation method of three in one rod and buckle



A		x2
B		x2

STEP 3



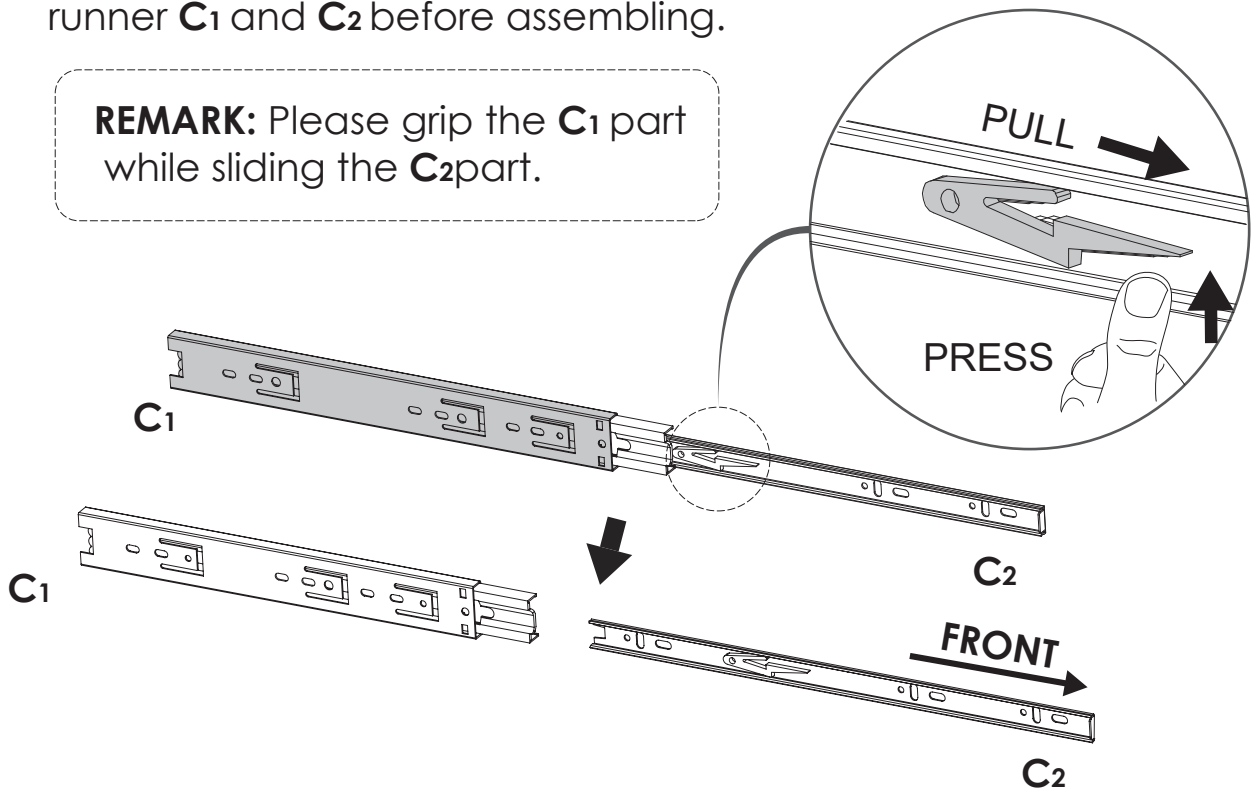
A		x2
B		x2

STEP 4

INSTALLATION STEPS

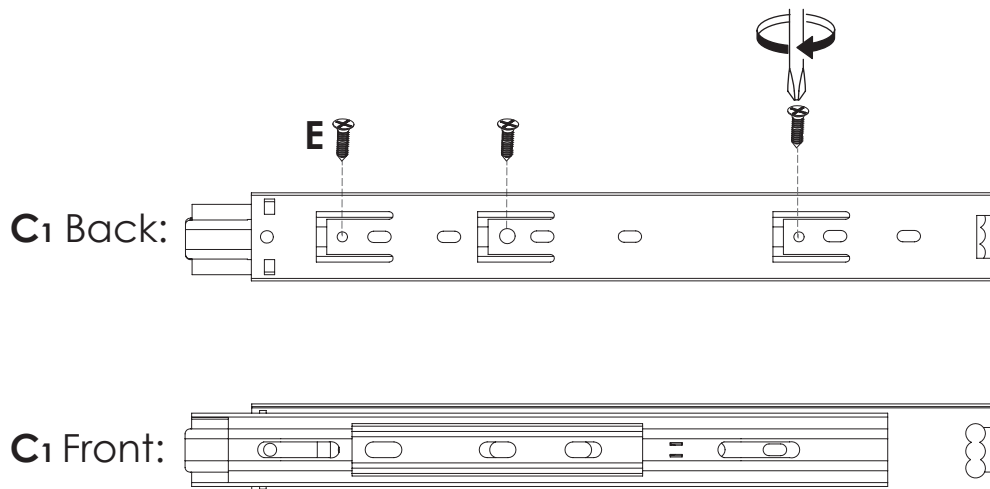
Press the plastic part in the indicated direction to separate drawer runner **C1** and **C2** before assembling.

REMARK: Please grip the **C1** part while sliding the **C2** part.



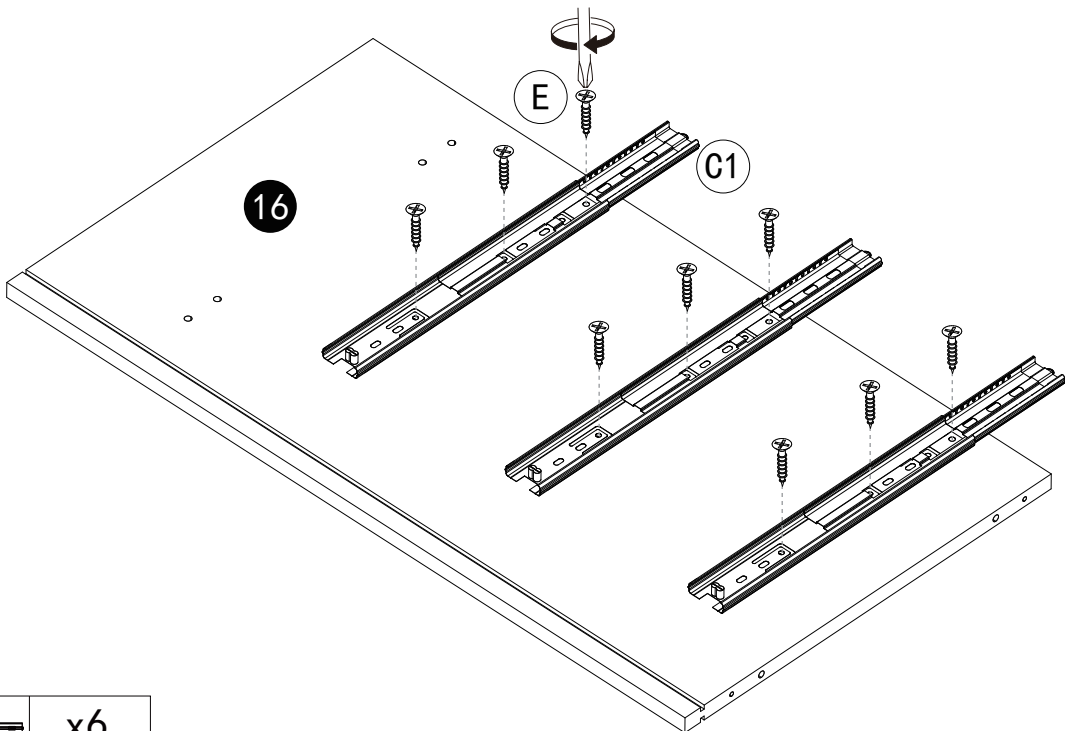
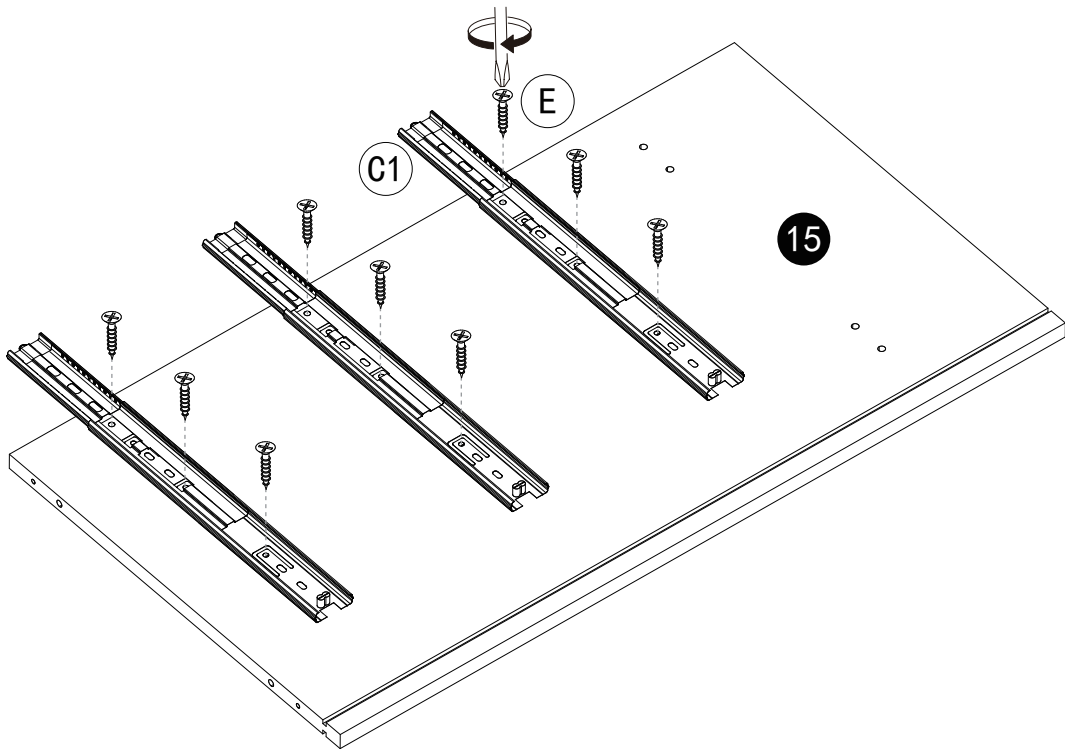
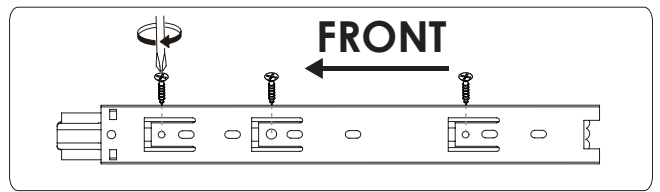
REMARK:



1. Please locate the holes from the back of part **C1**.



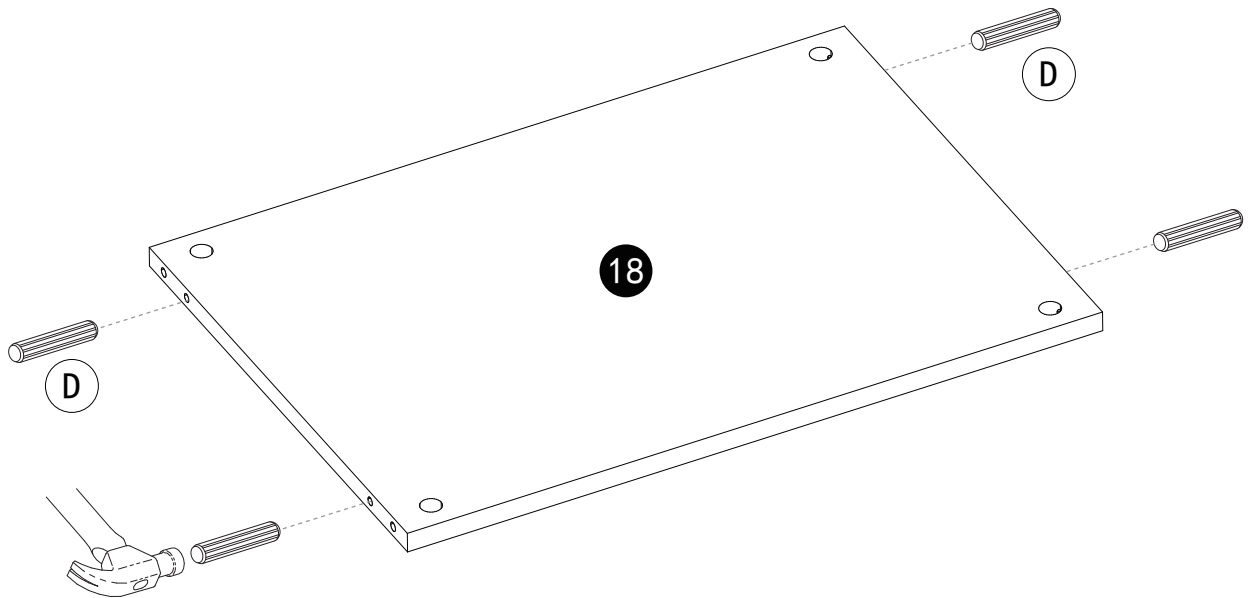
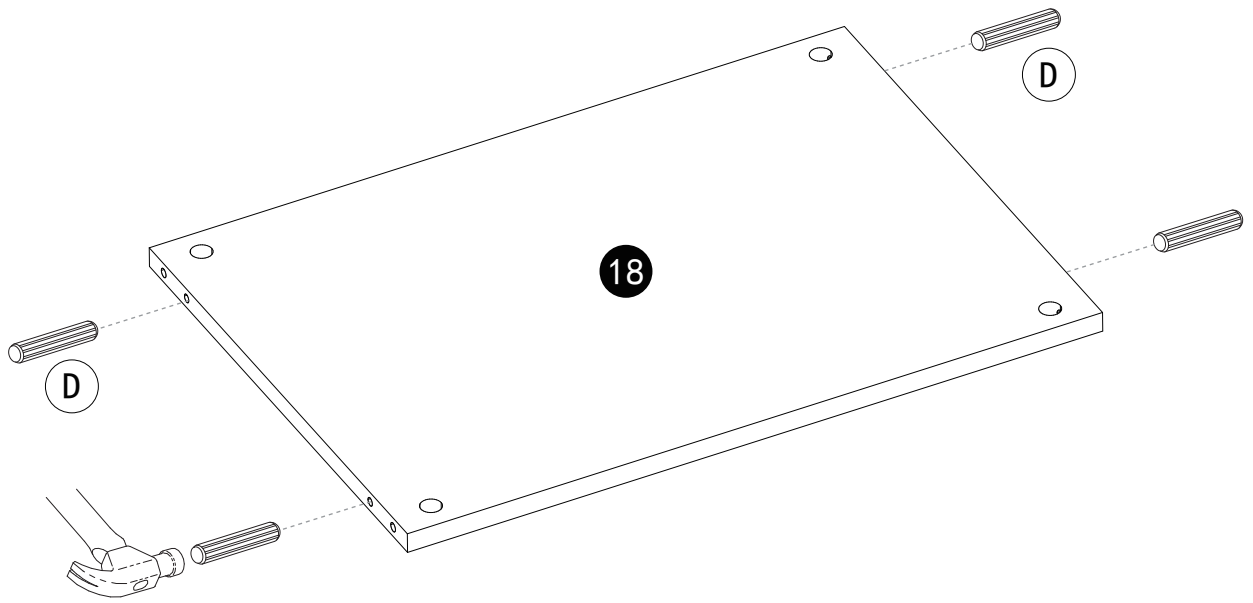
2. But install part **E** from the front of part **C1**.


STEP 5



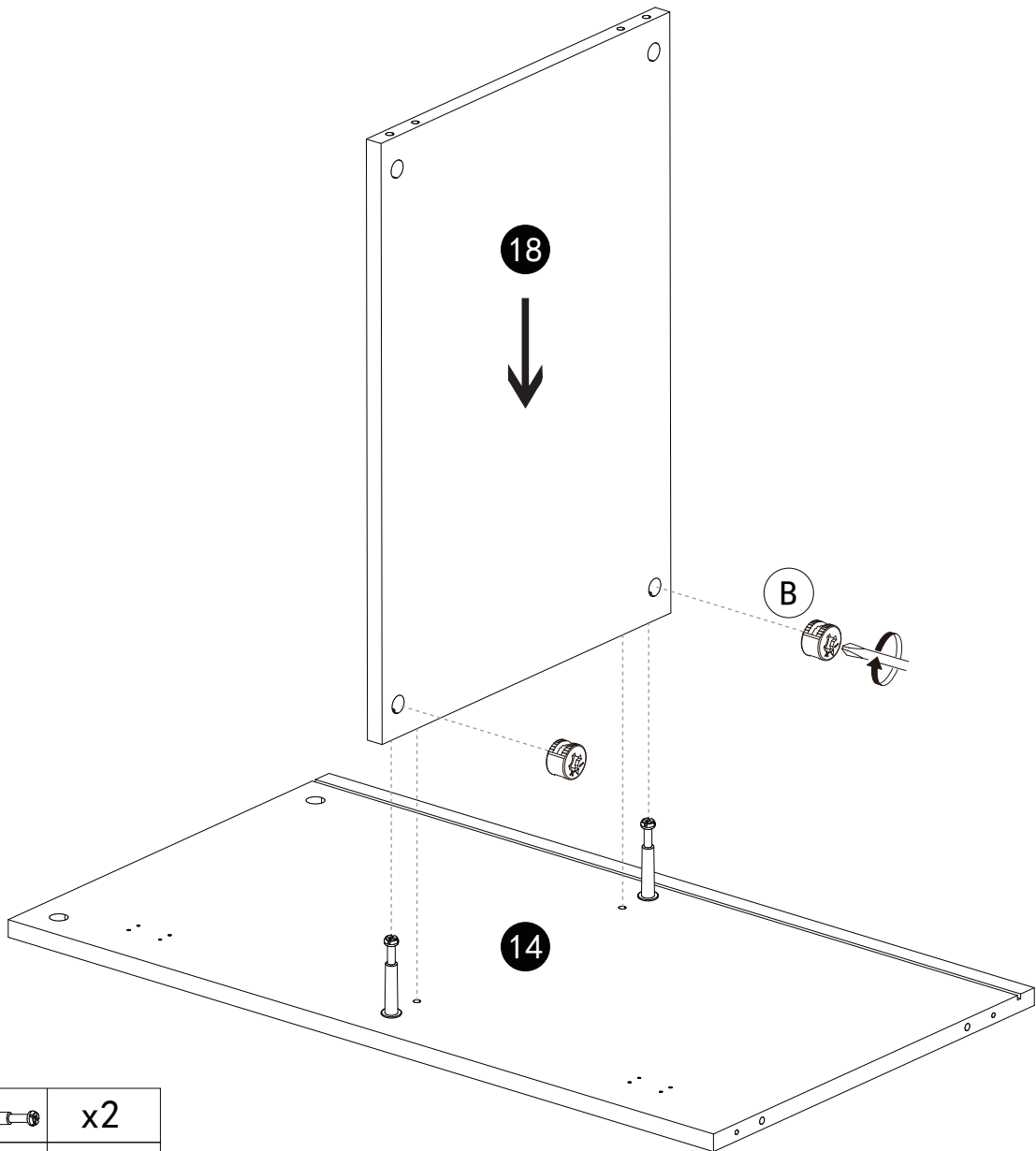
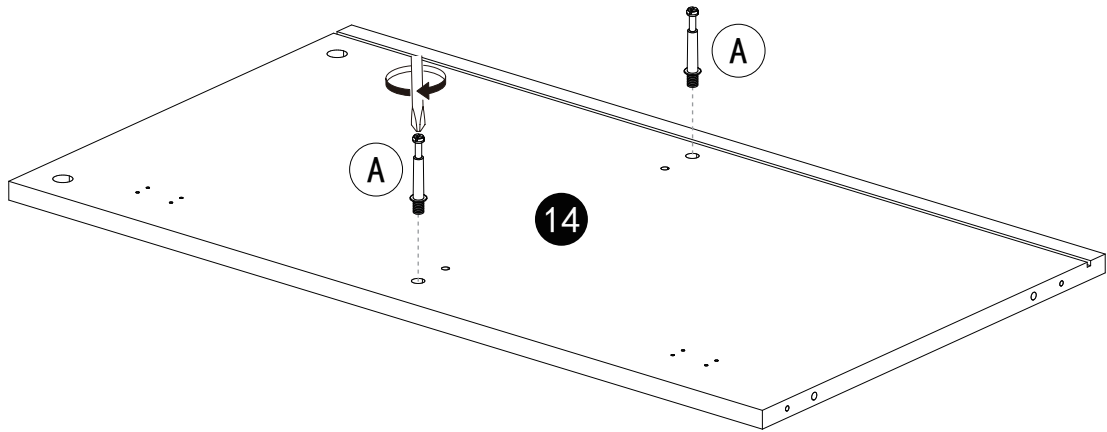
C1		x6
E		x18

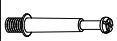

STEP 6



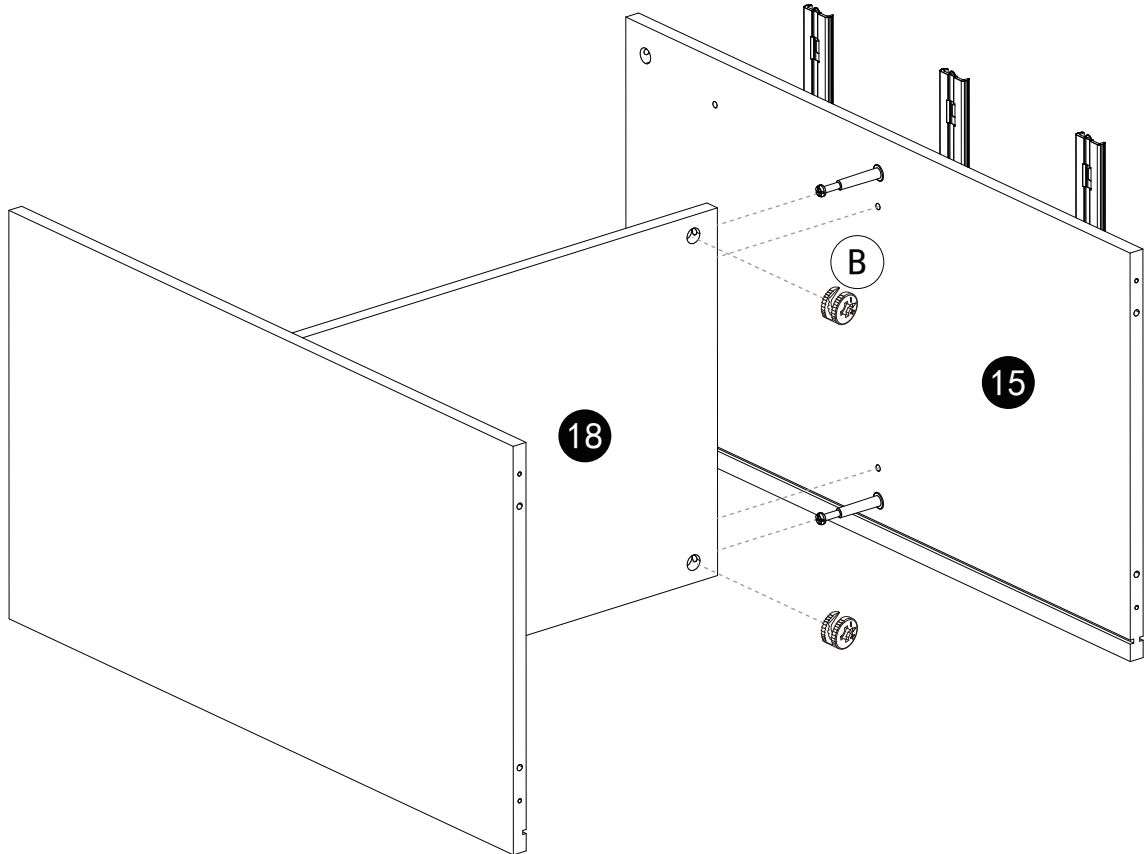
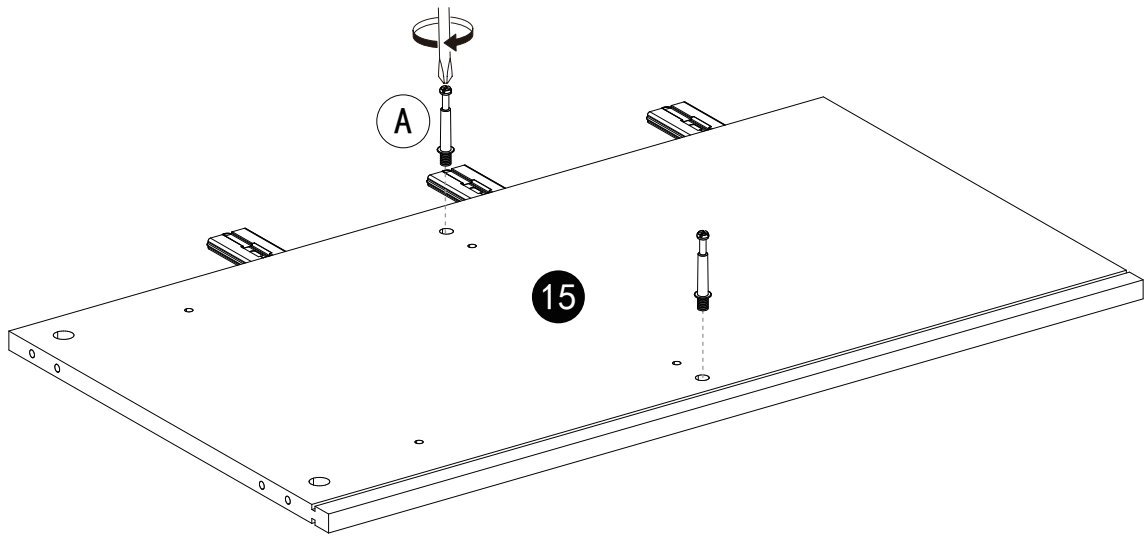
D		x8
---	---	----

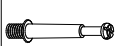

STEP 7



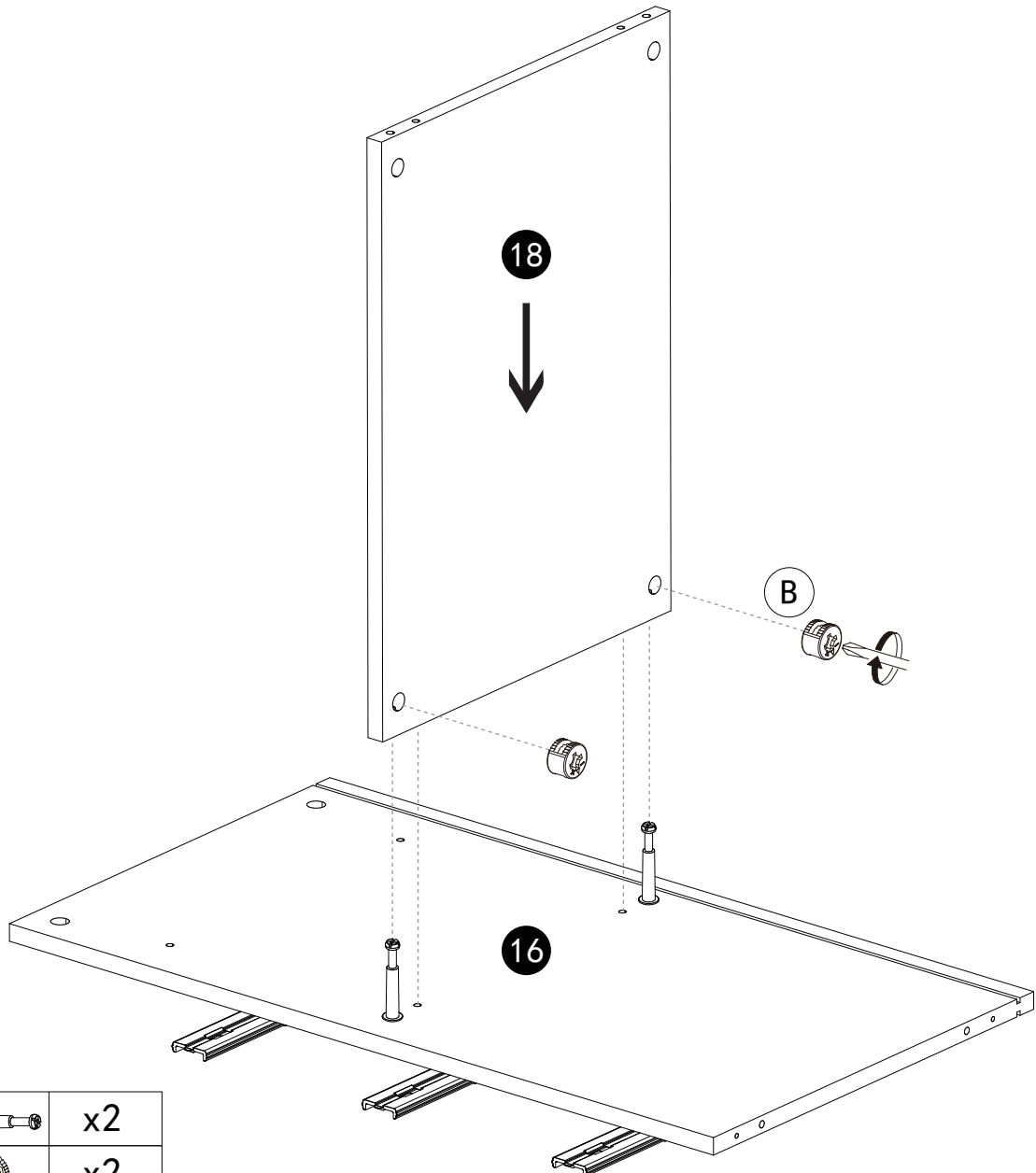
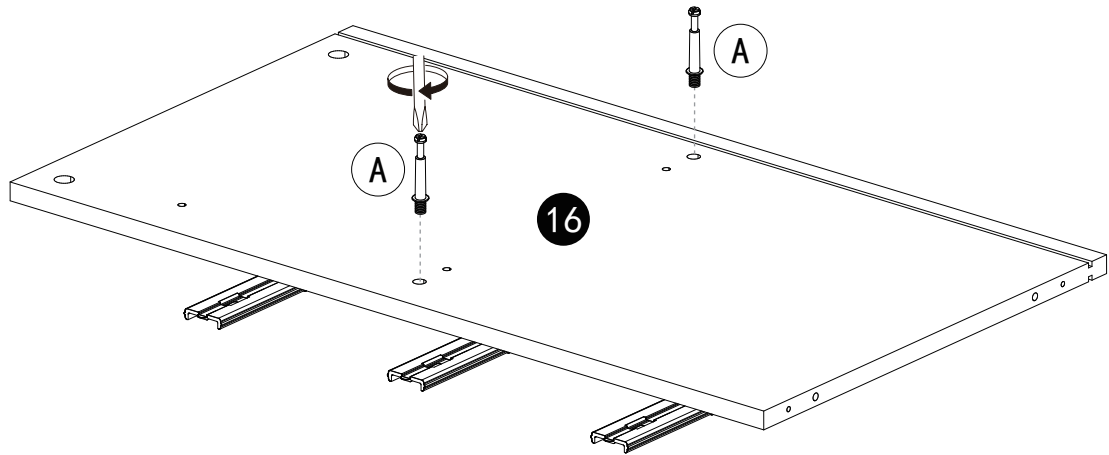
A		x2
B		x2

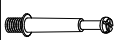

STEP 8



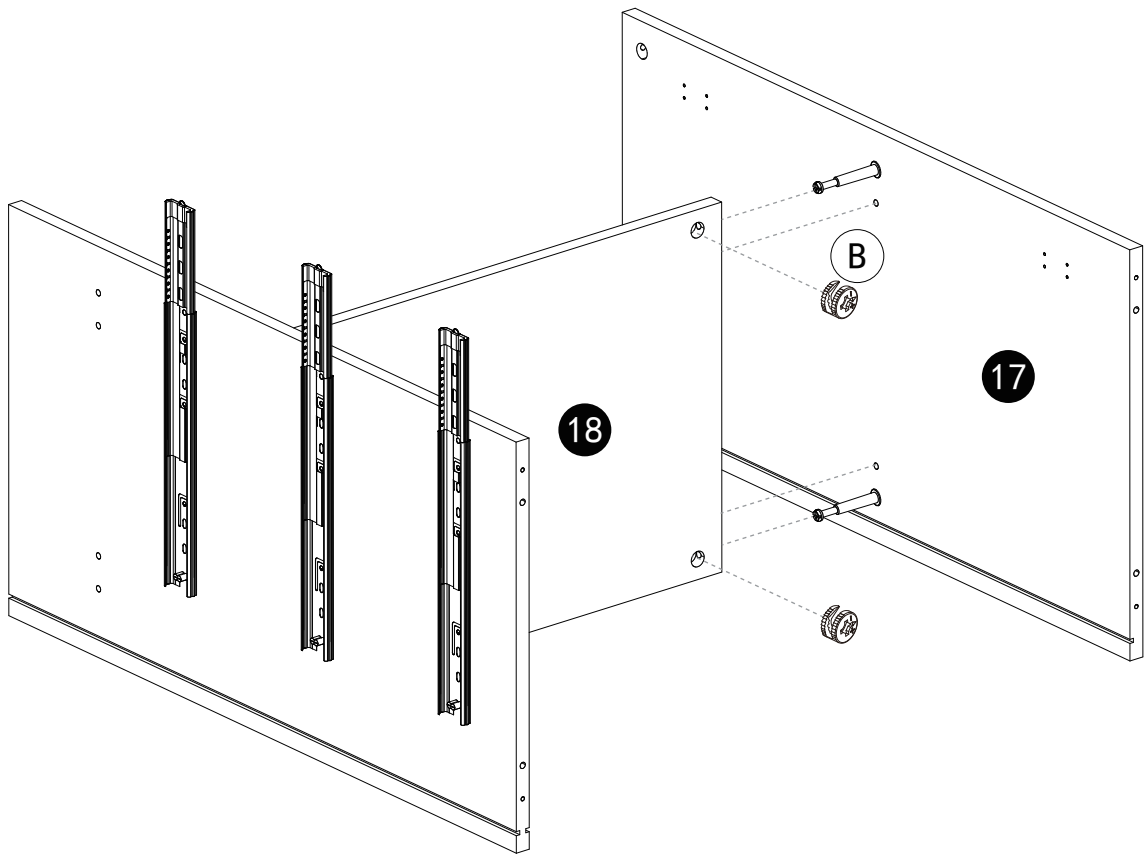
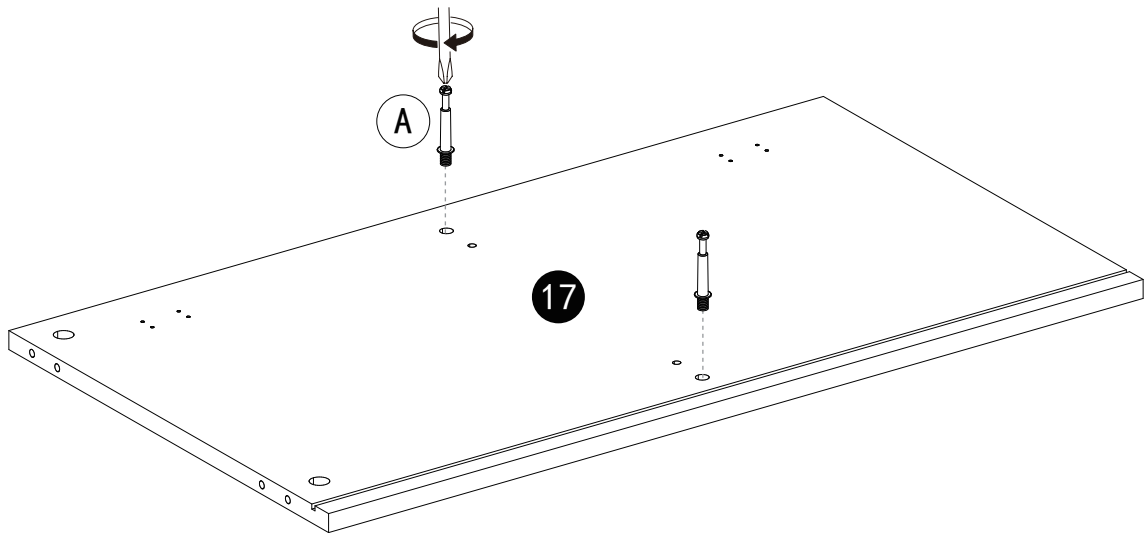
A		x2
B		x2

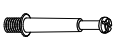

STEP 9



A		x2
B		x2

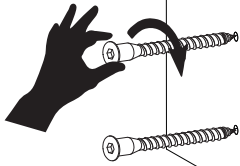
STEP 10



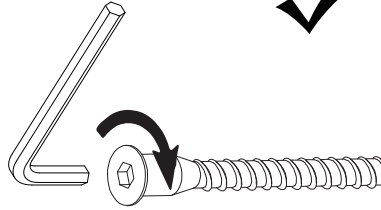
A		x2
B		x2

STEP 11

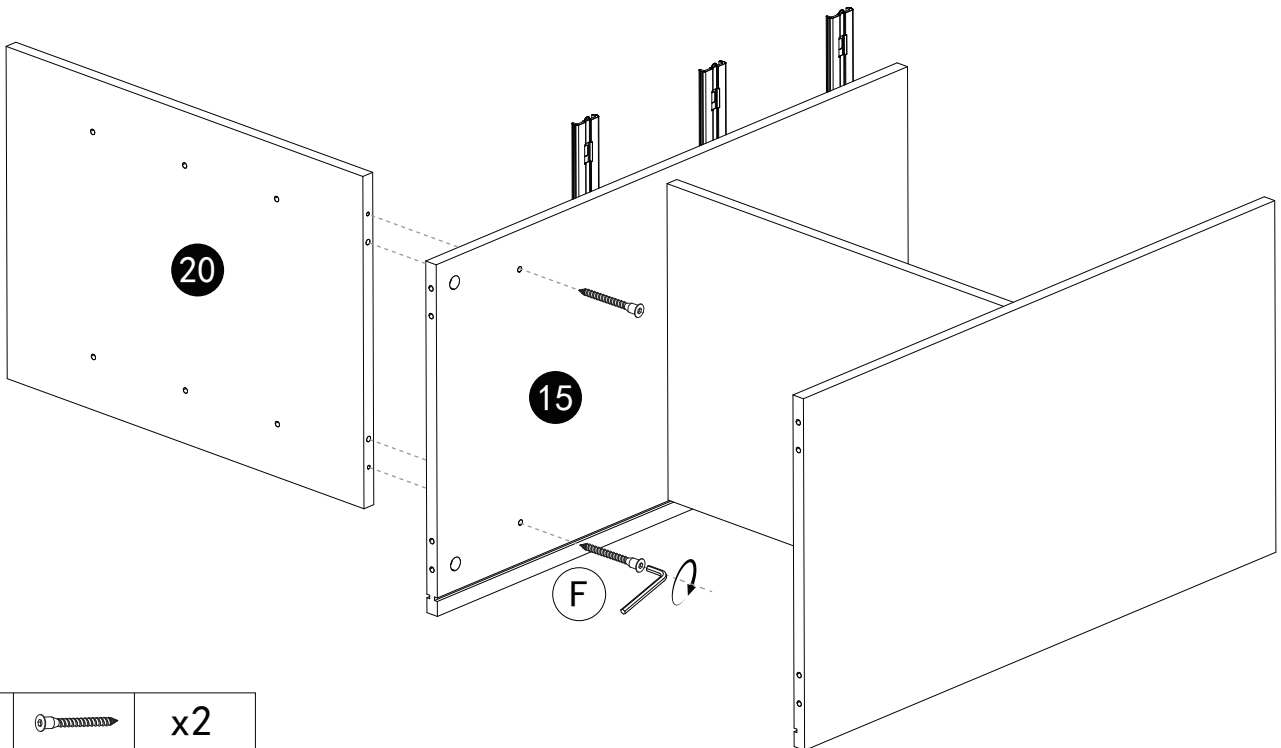
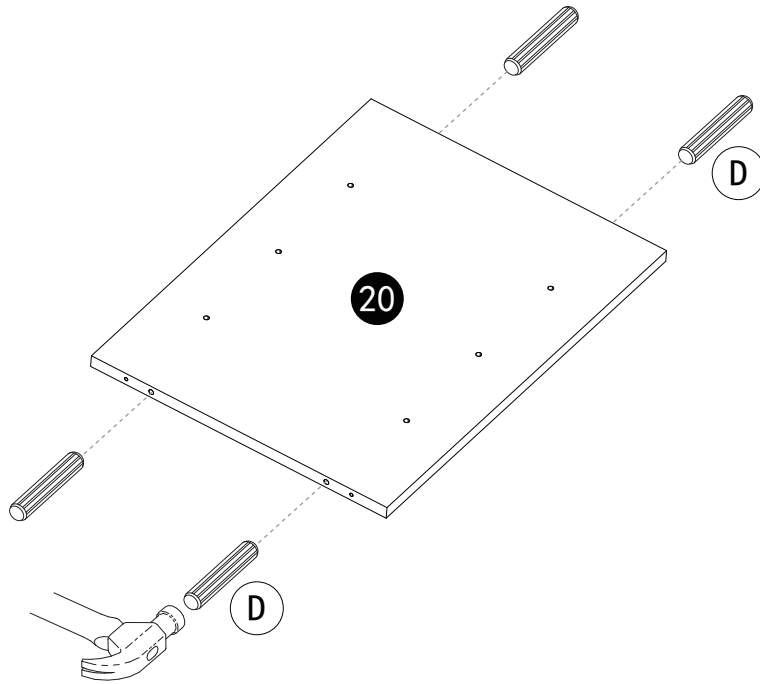
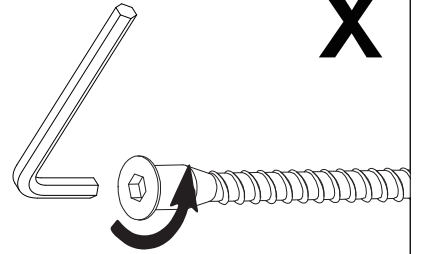
1





2

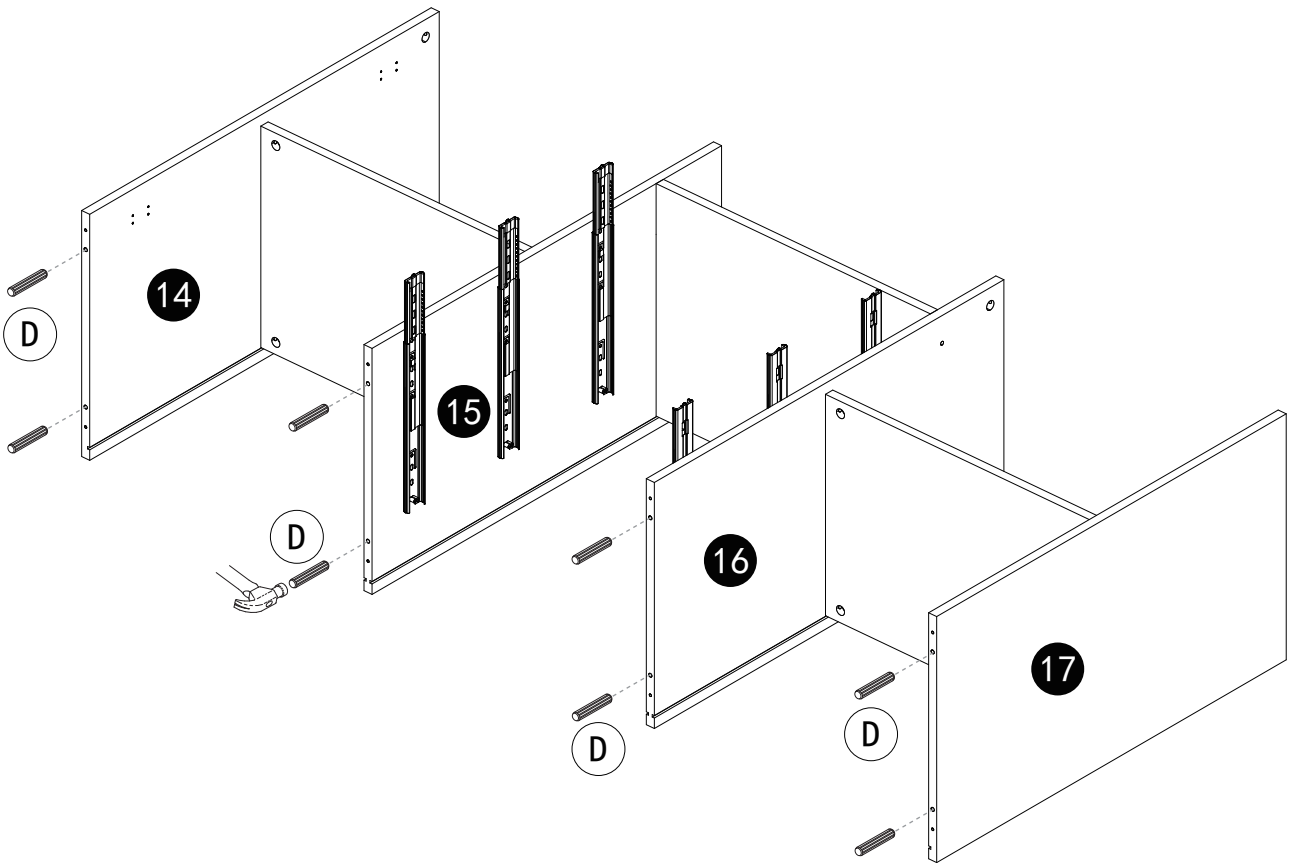
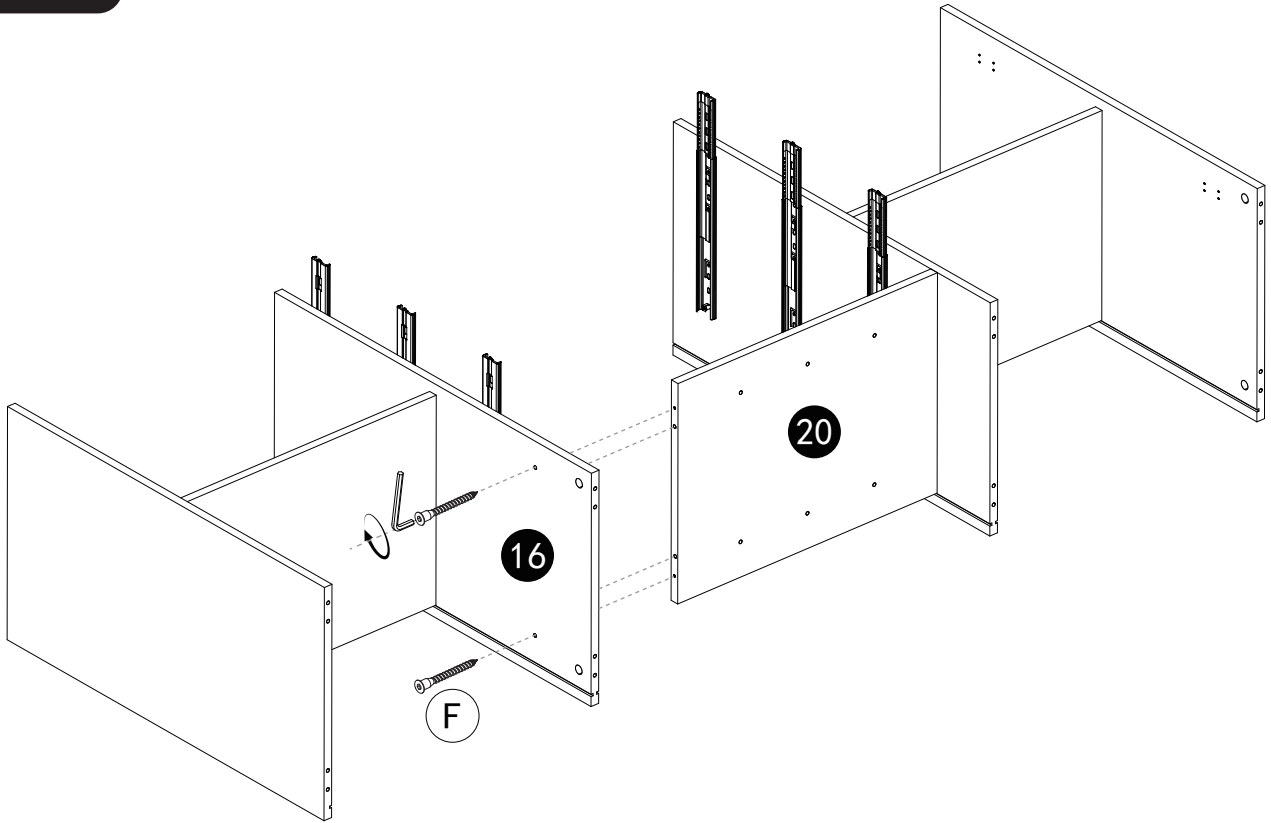




X



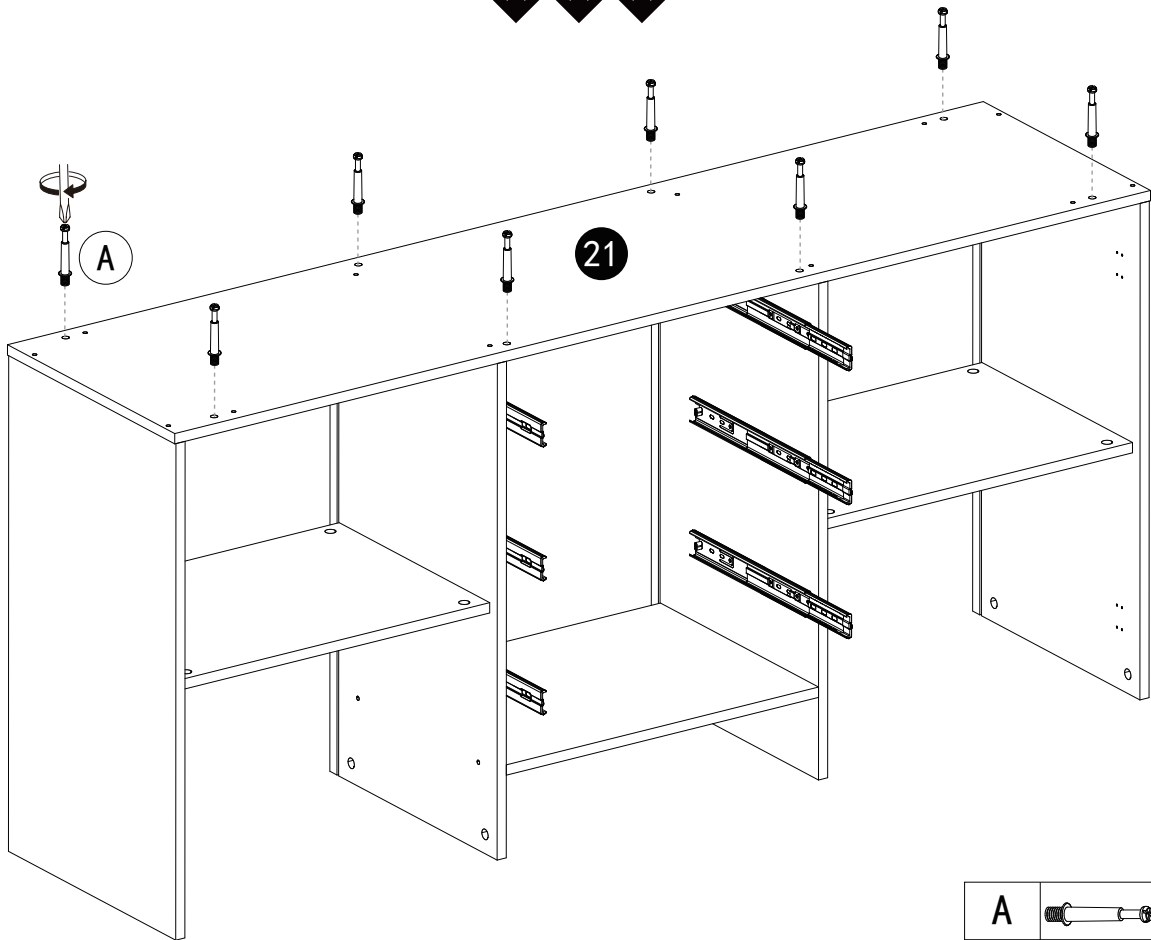
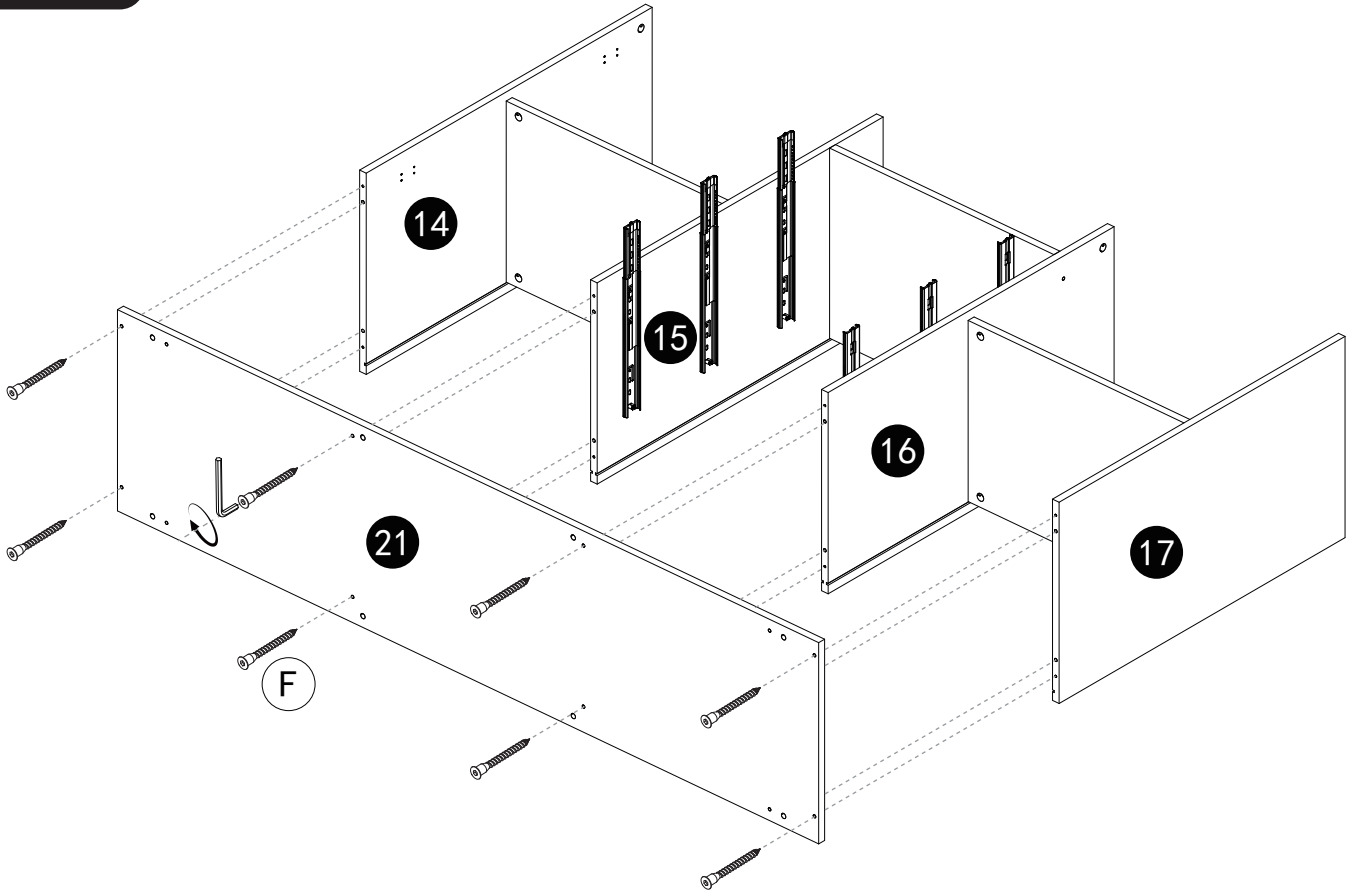
F		x2
D		x4

STEP 12



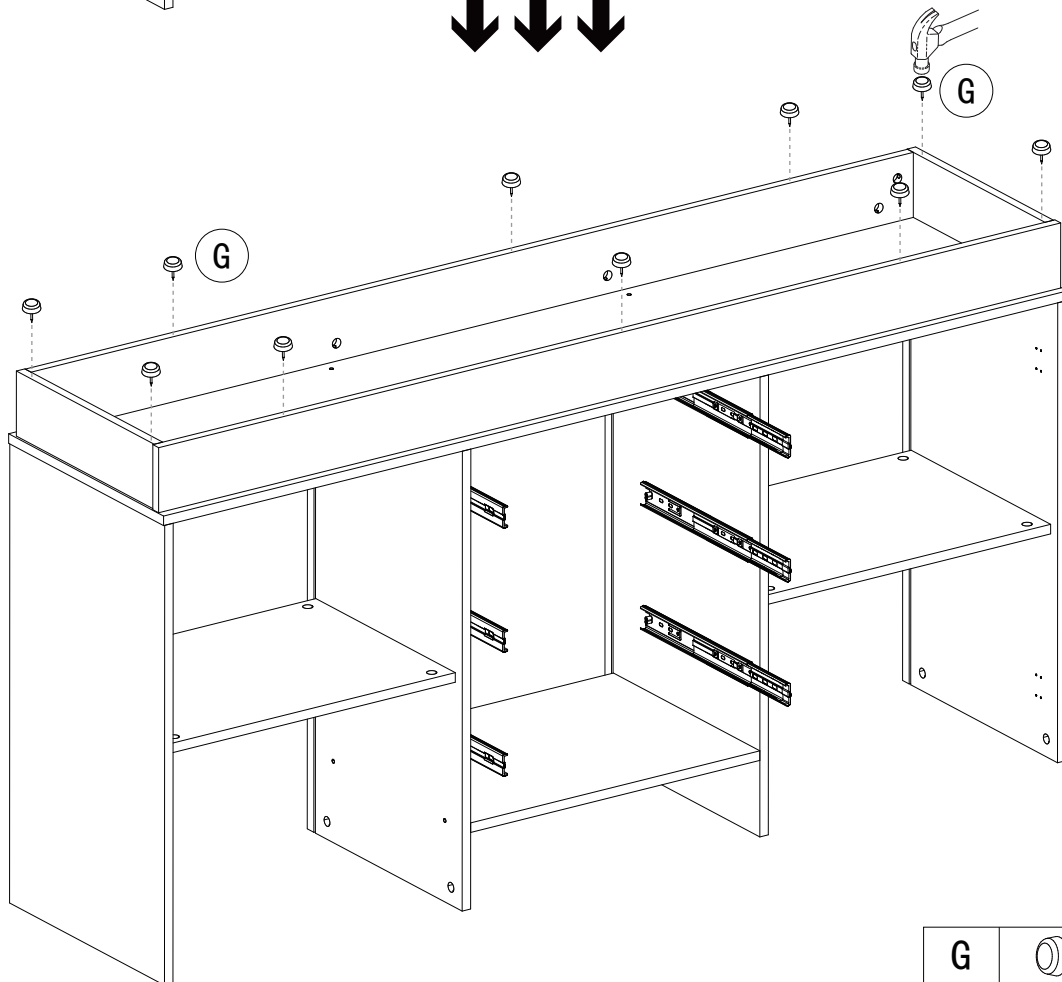
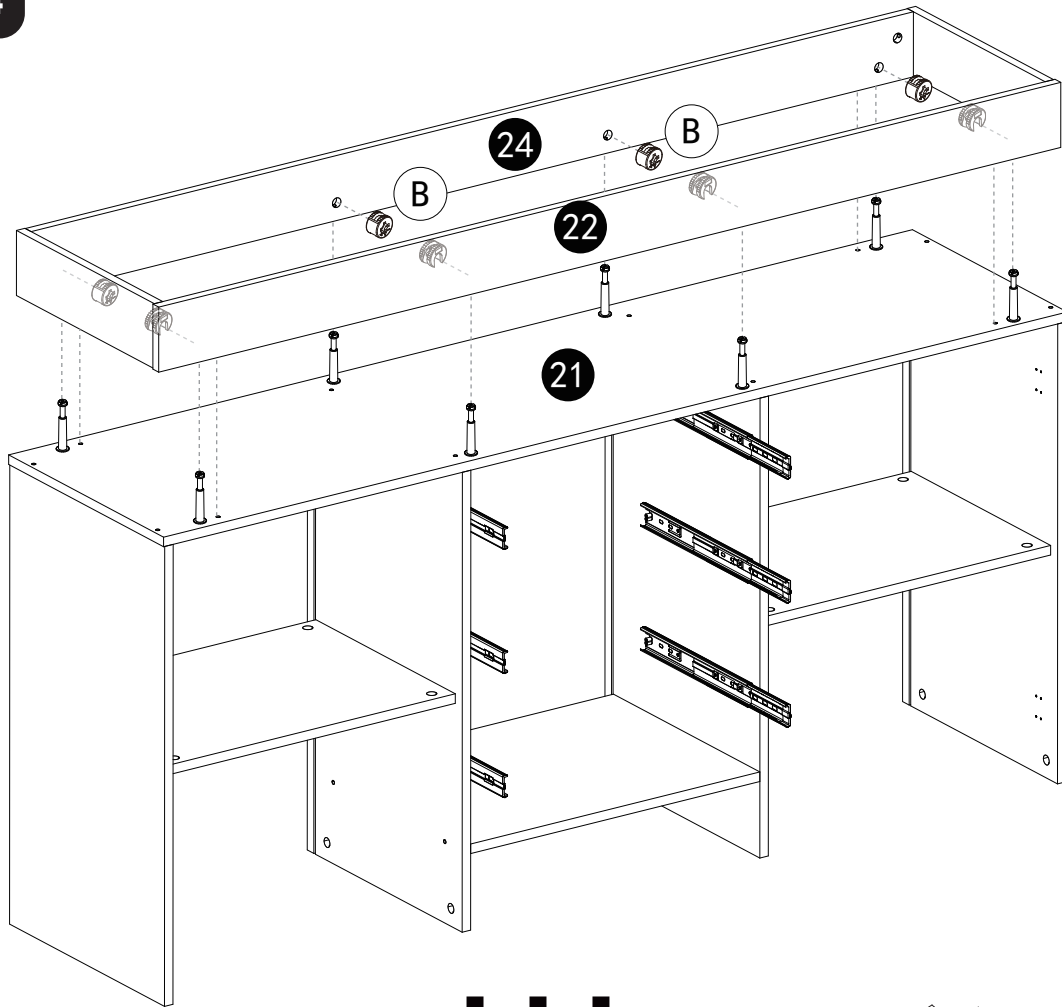
F		x2
D		x8

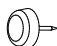

STEP 13



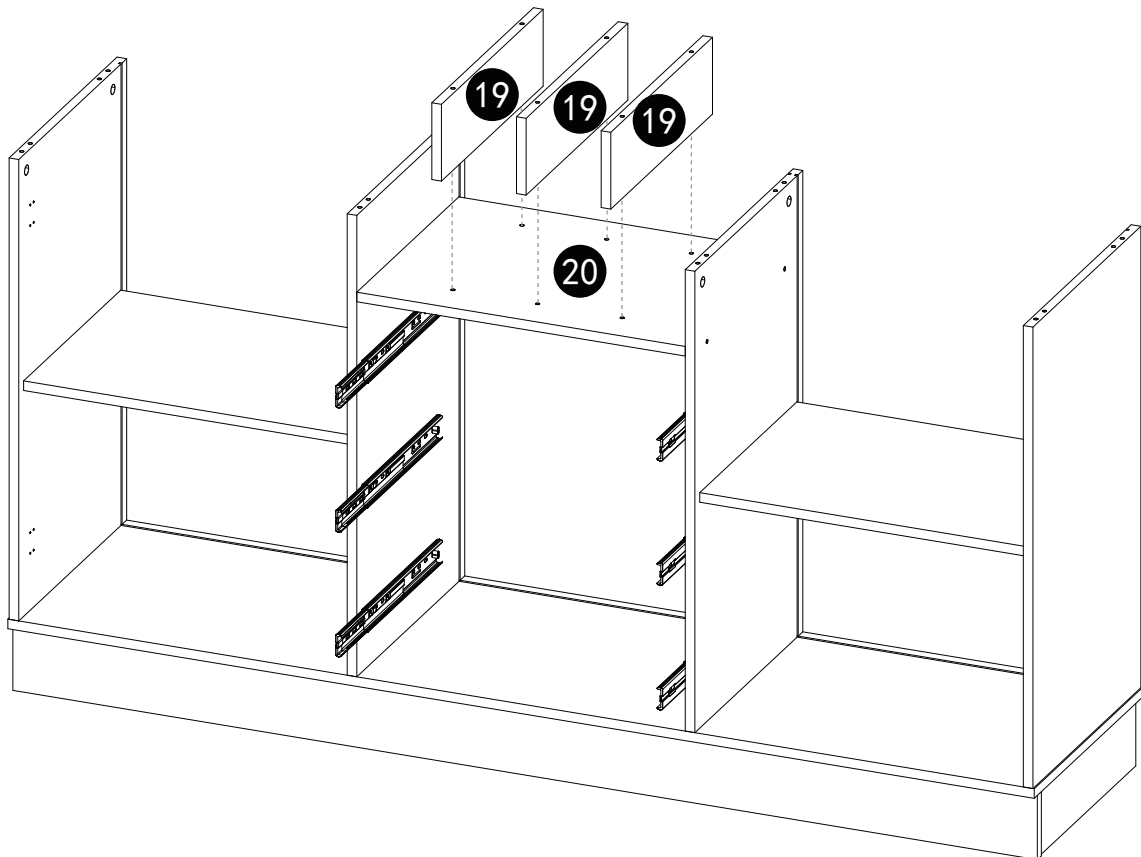
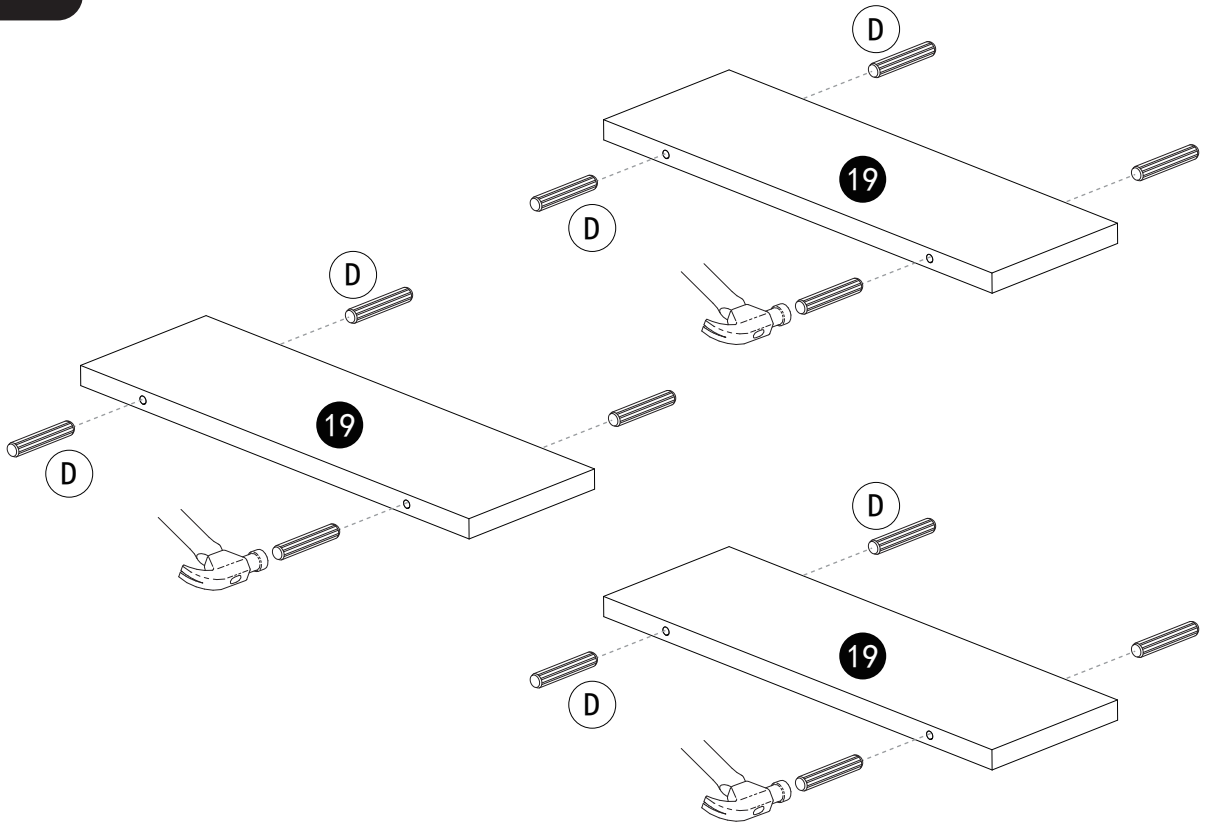
A		x8
F		x8

STEP 14



G		x10
B		x8

STEP 15

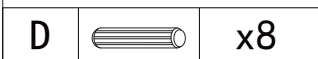
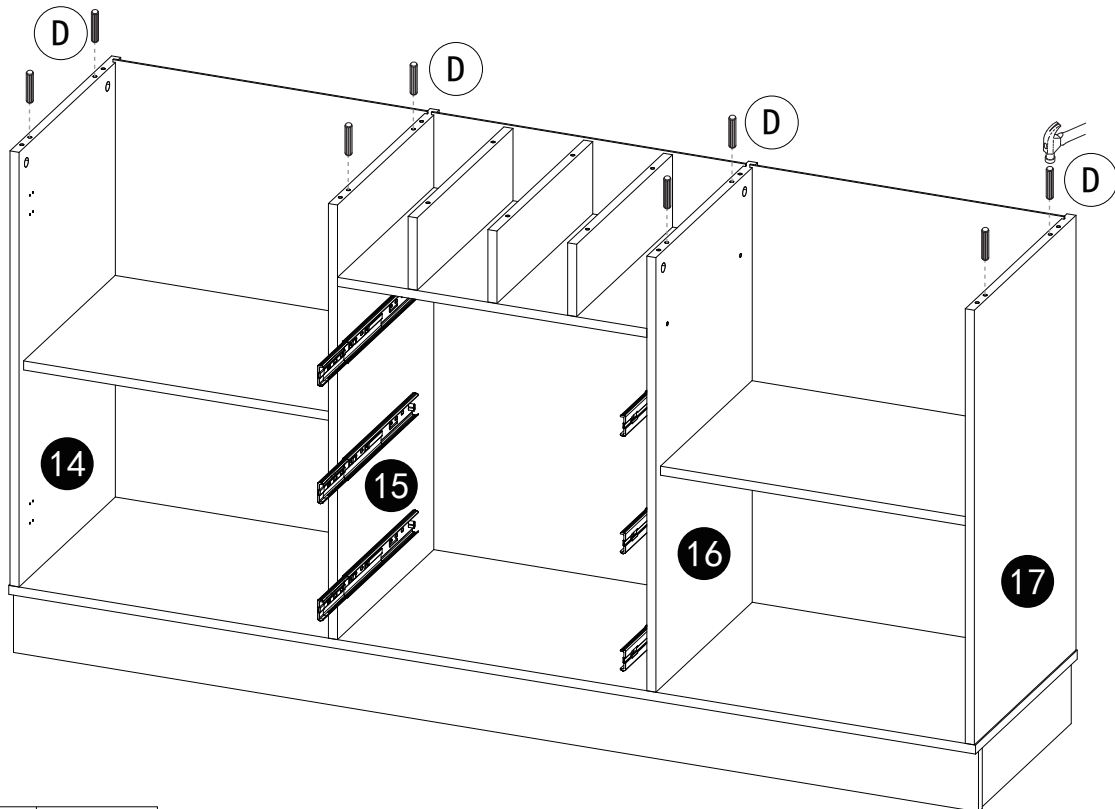
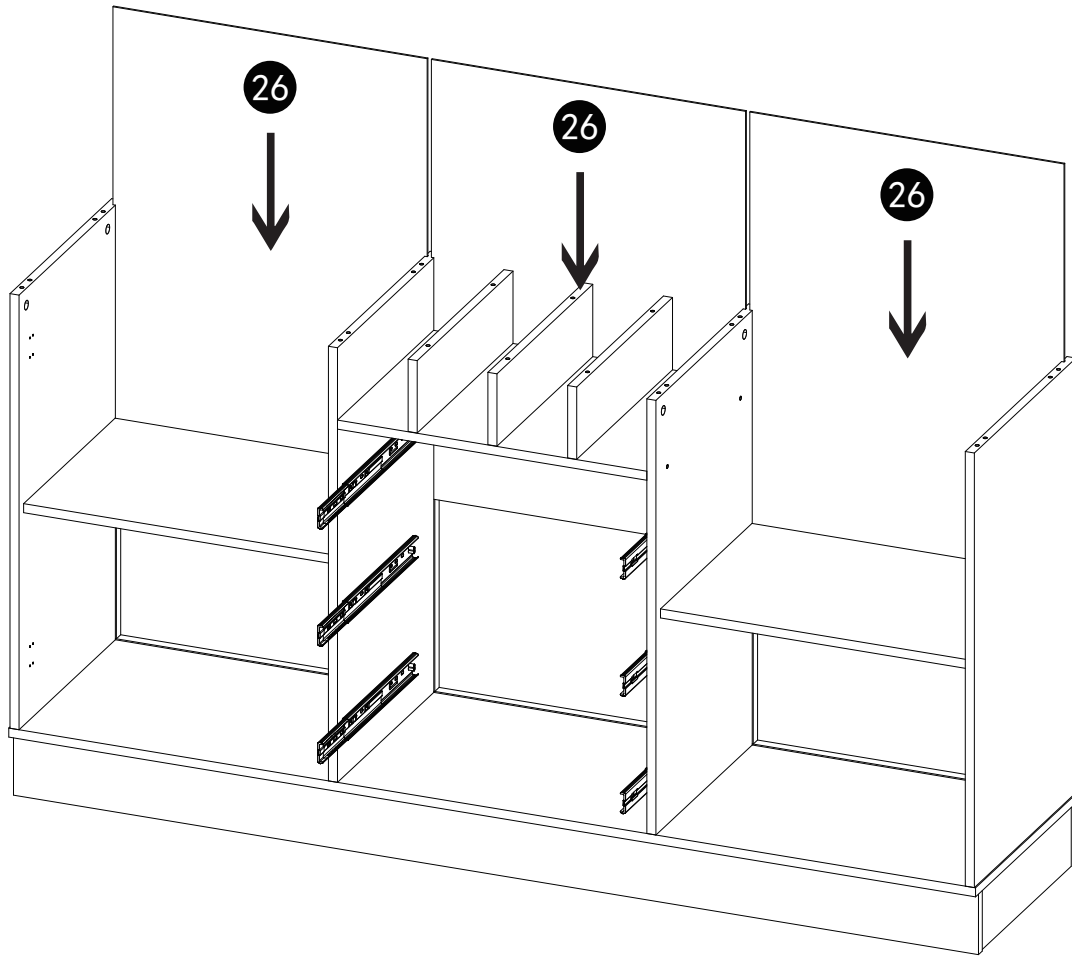


D

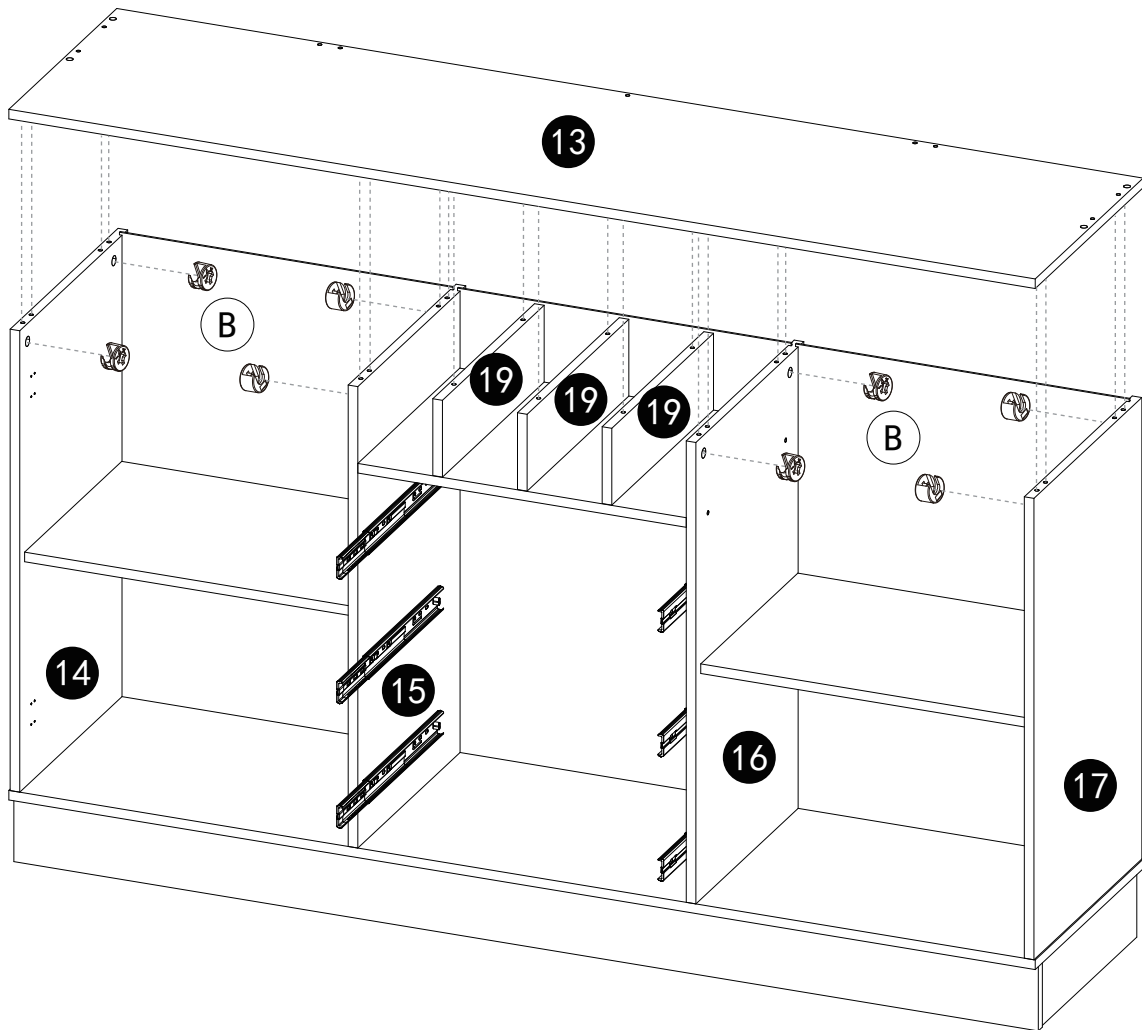
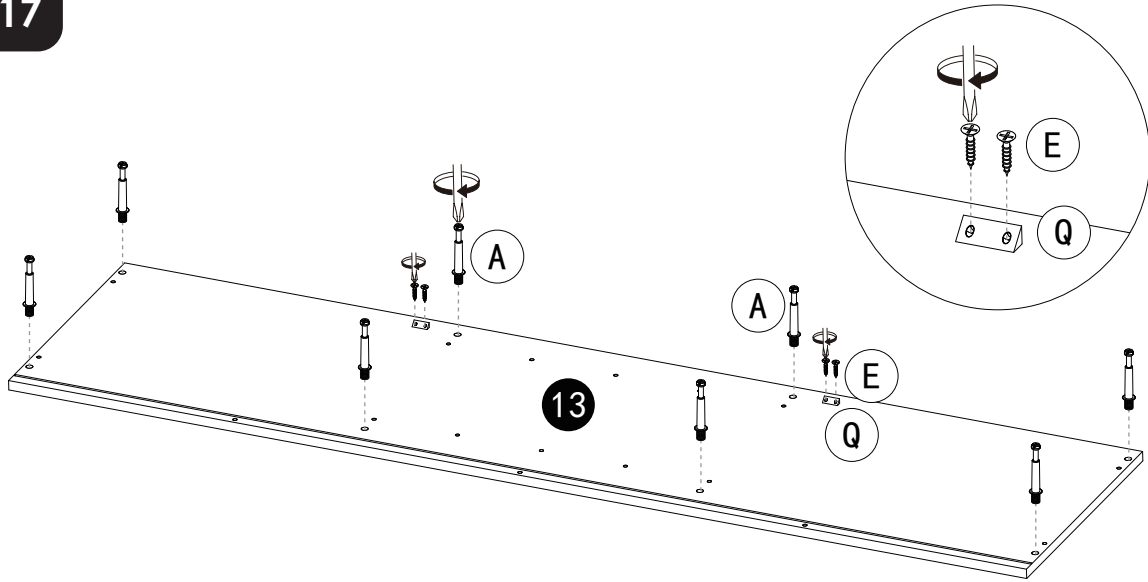


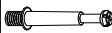


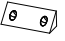
x12

STEP 16

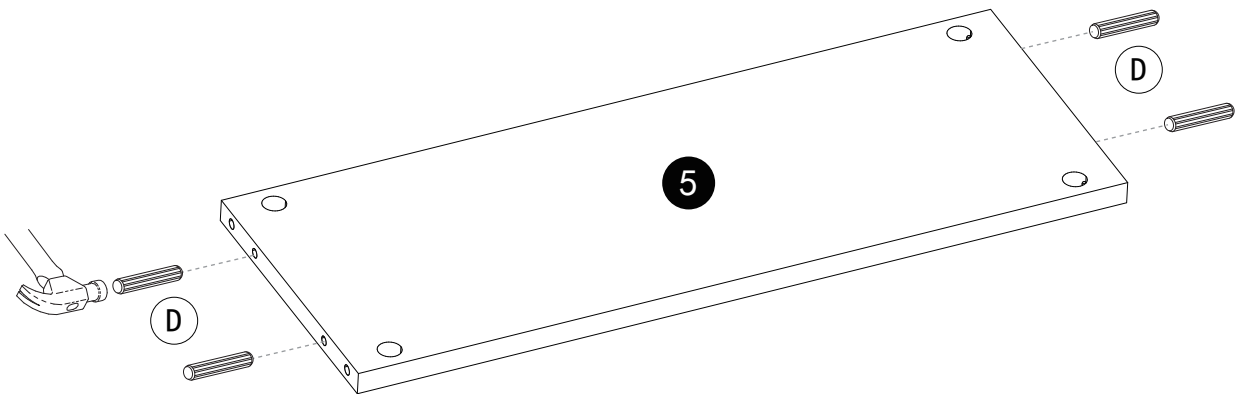
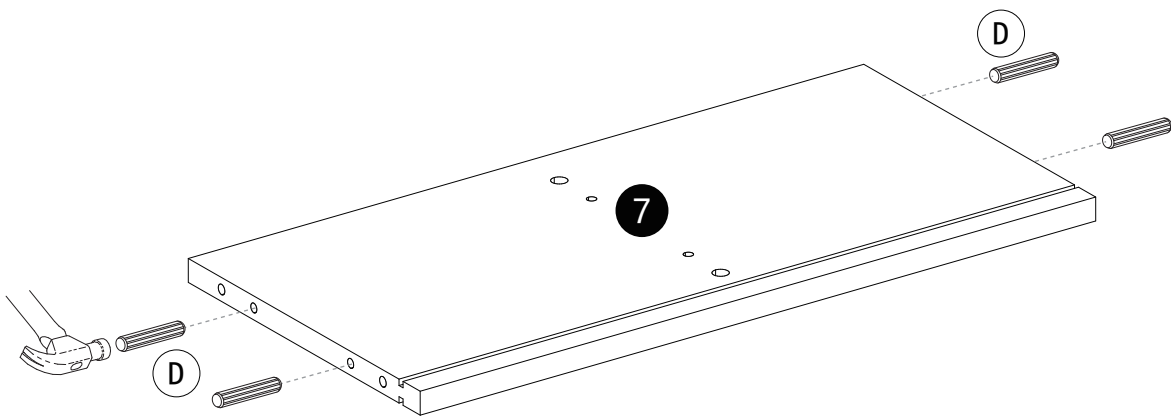
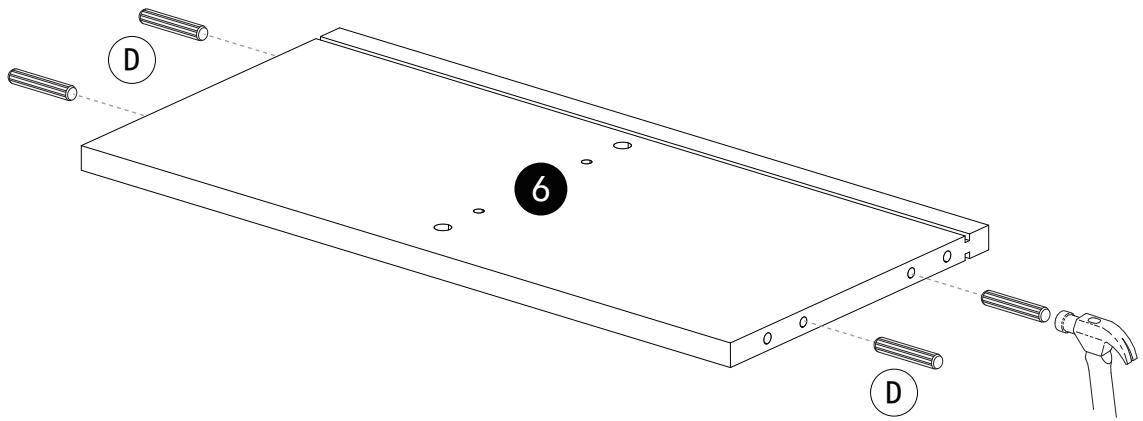



STEP 17



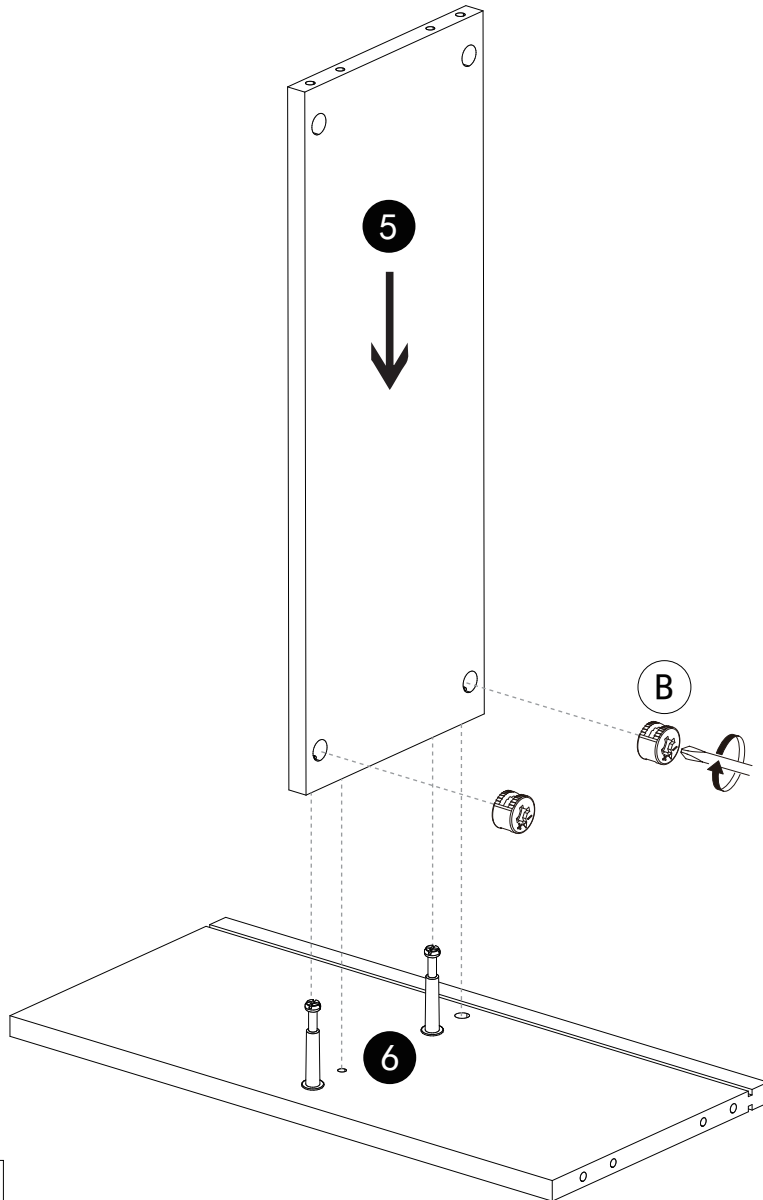
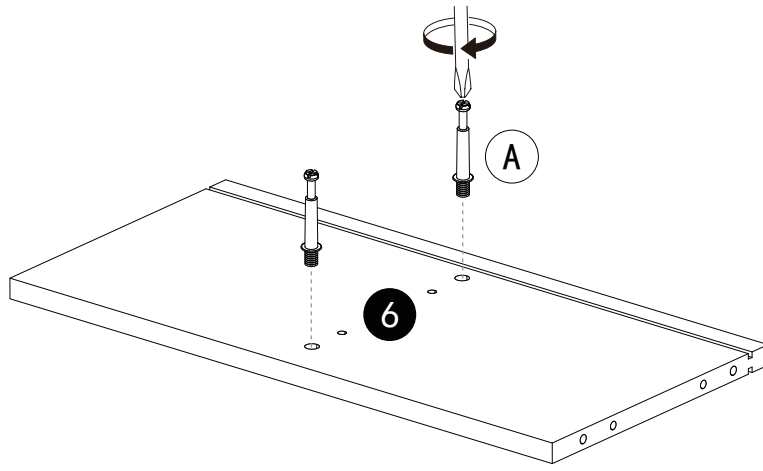
A		x8	E		x4
B		x8	Q		x2

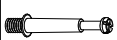

STEP 18



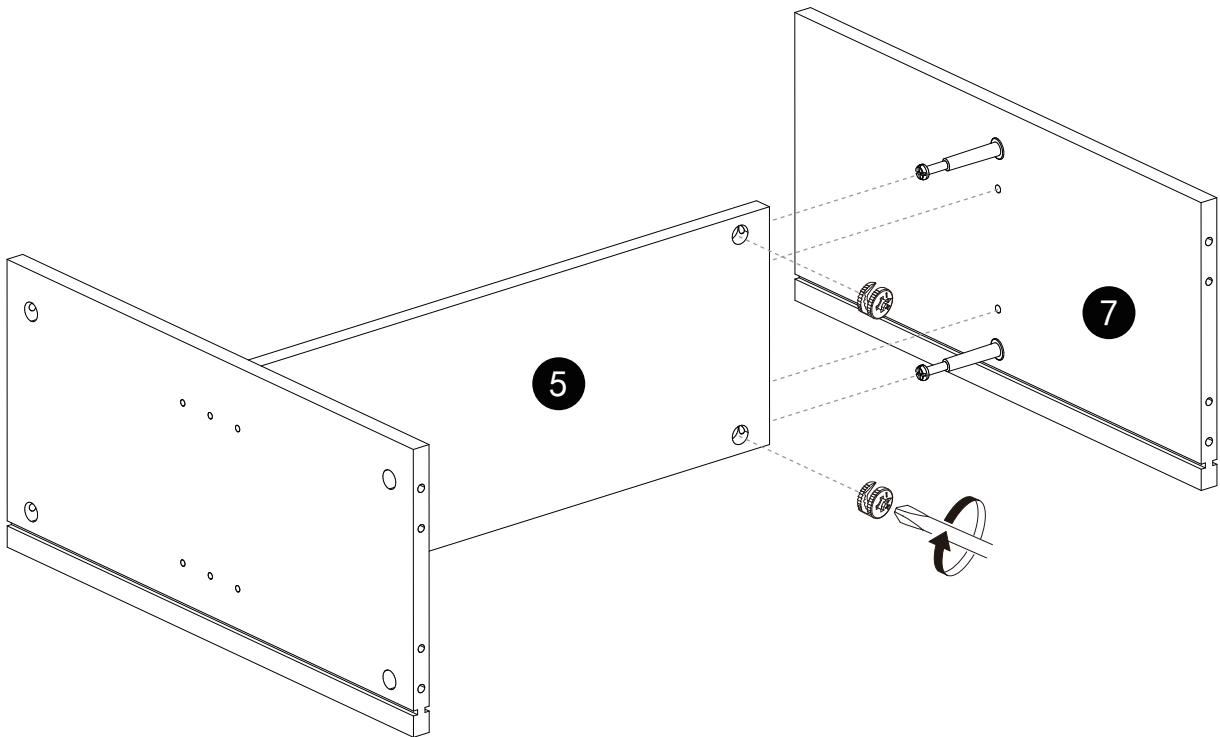
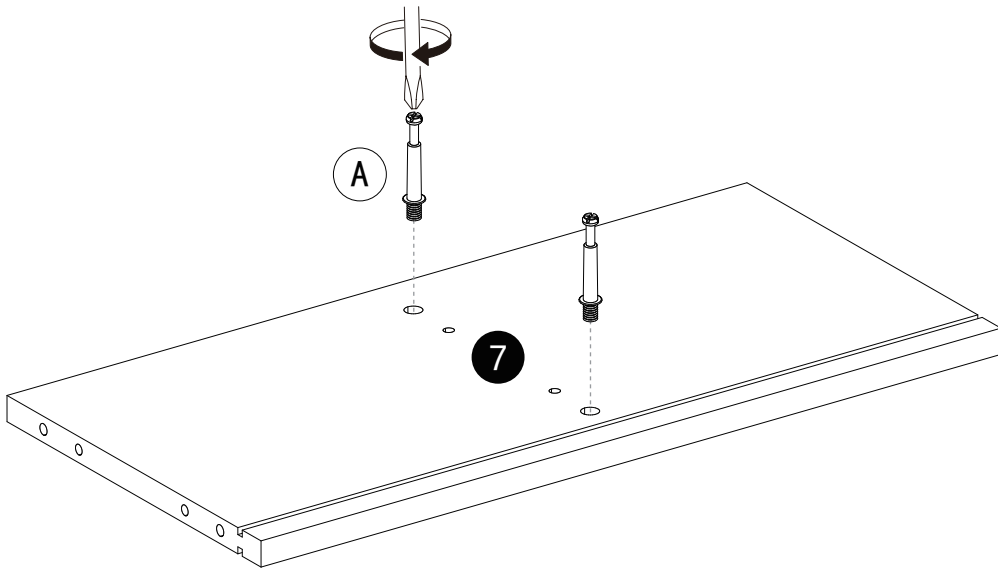
D		x12
---	---	-----

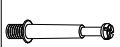

STEP 19



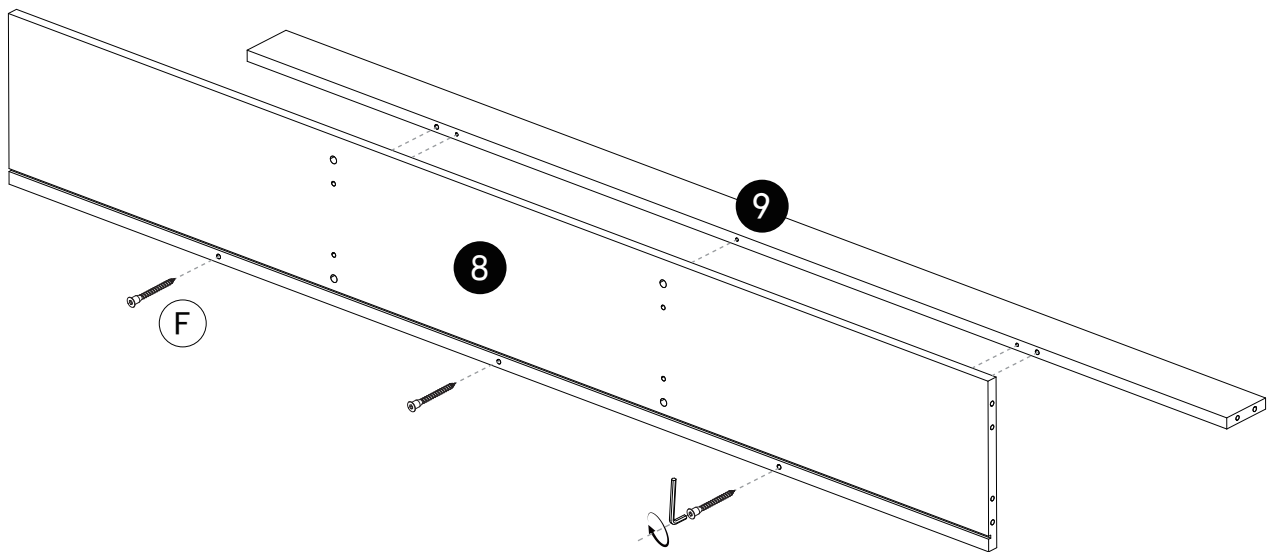
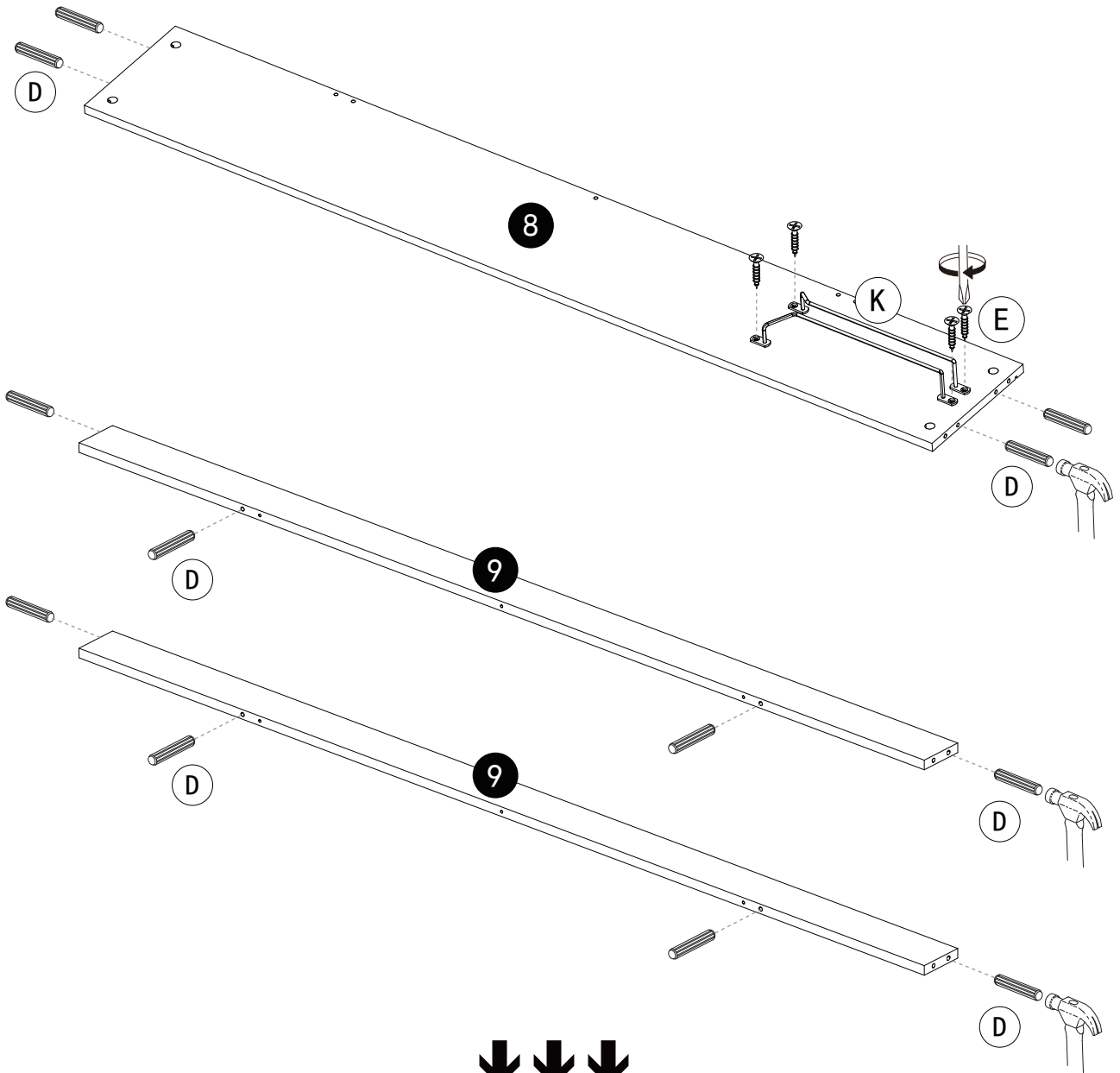
A		x2
B		x2





STEP 20



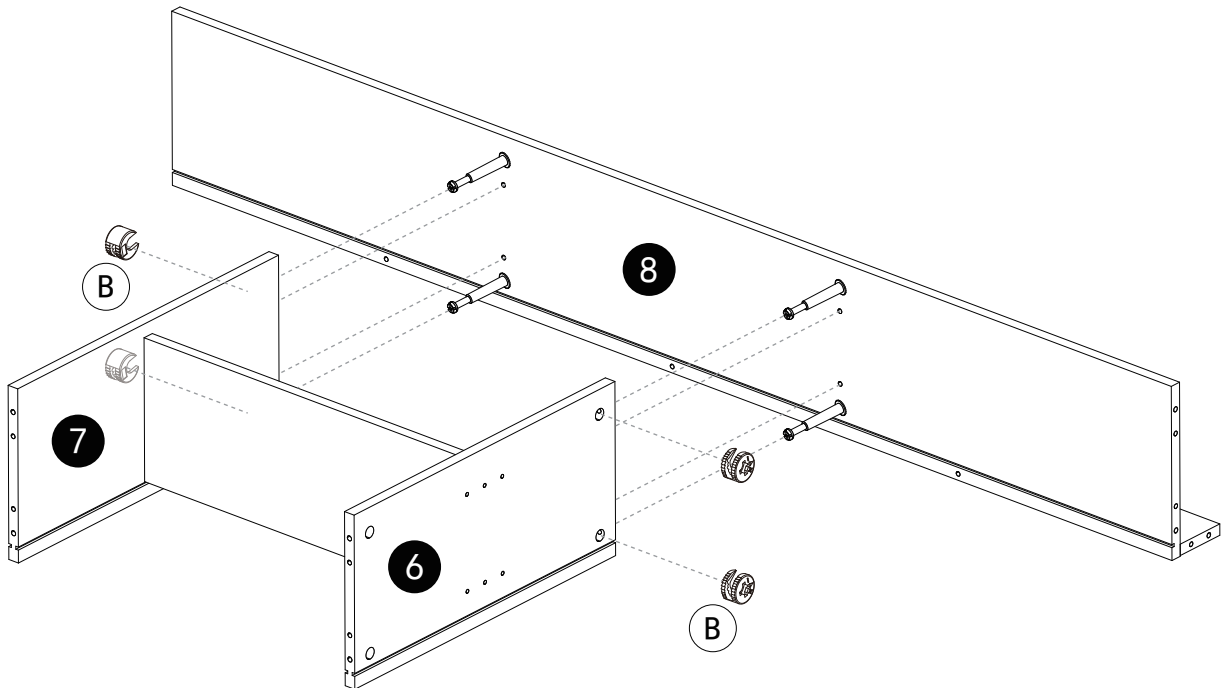
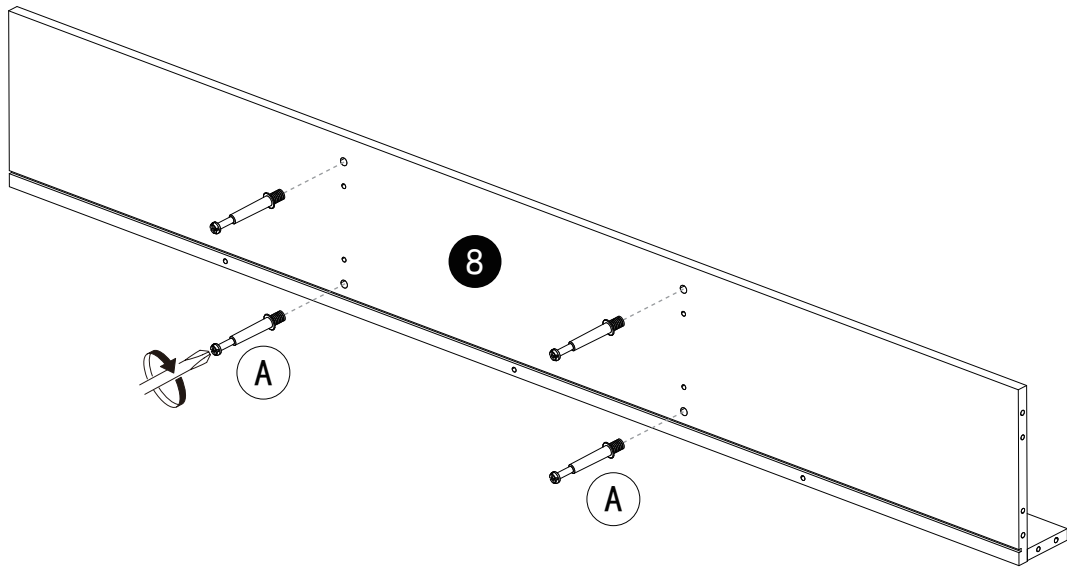
A		x2
B		x2

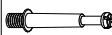

STEP 21



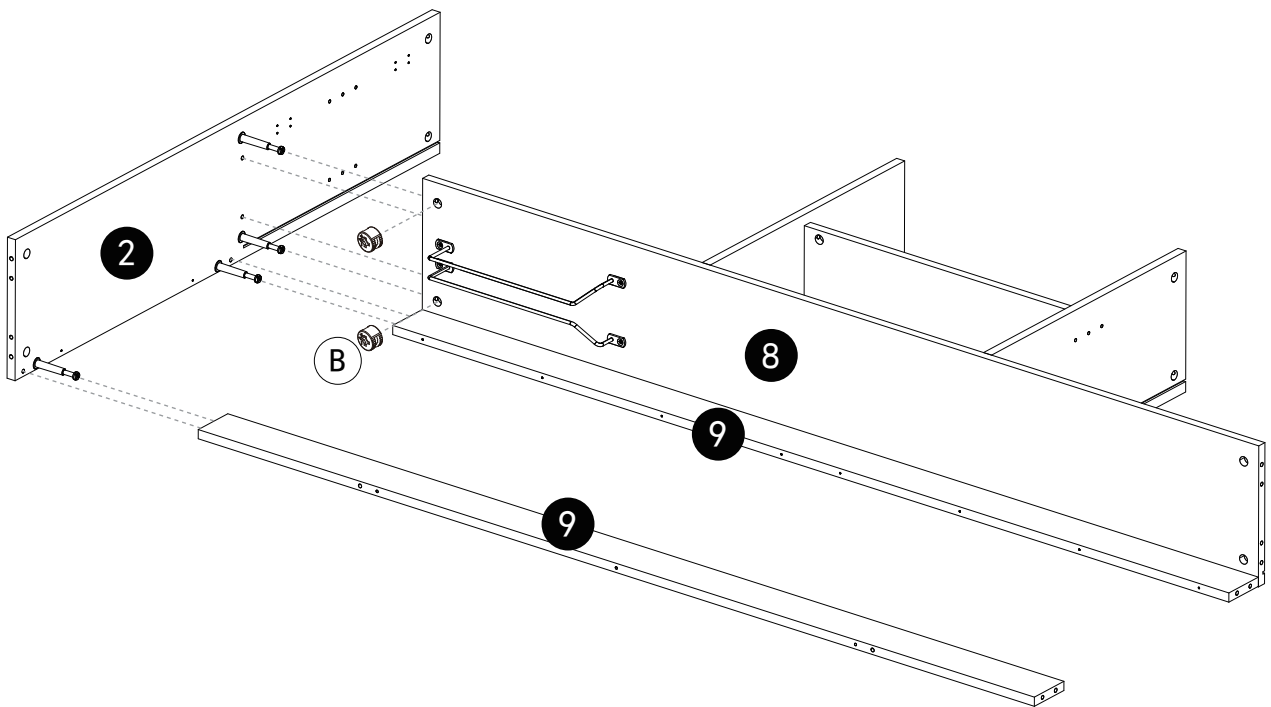
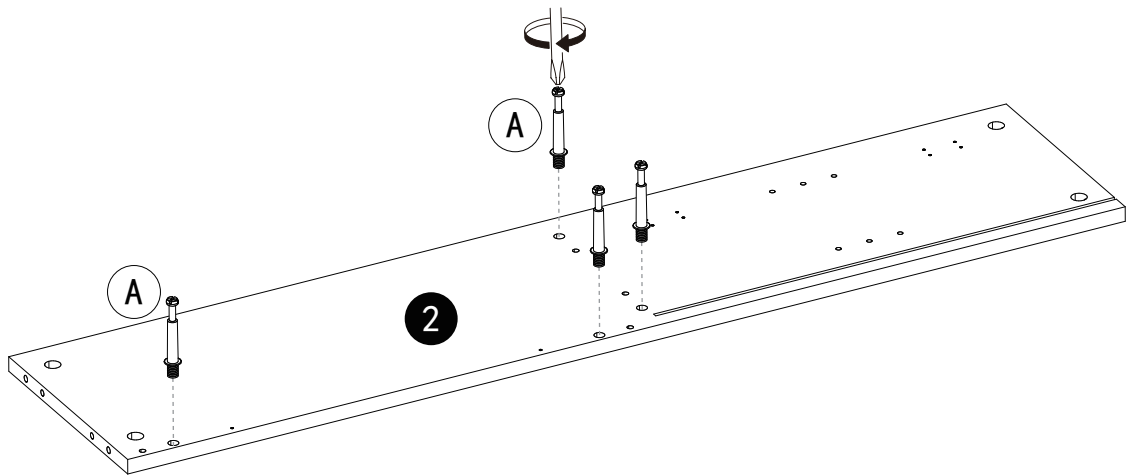
F		x3	K		x1
D		x12	E		x4

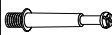

STEP 22



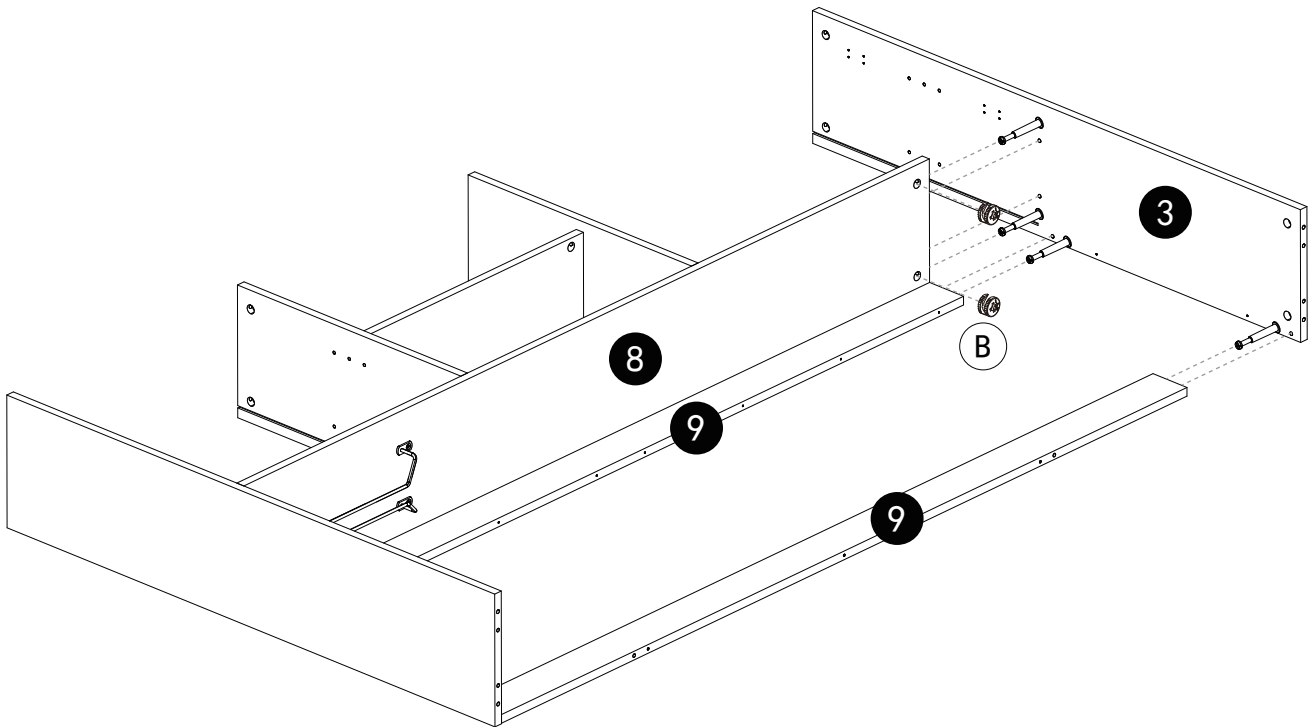
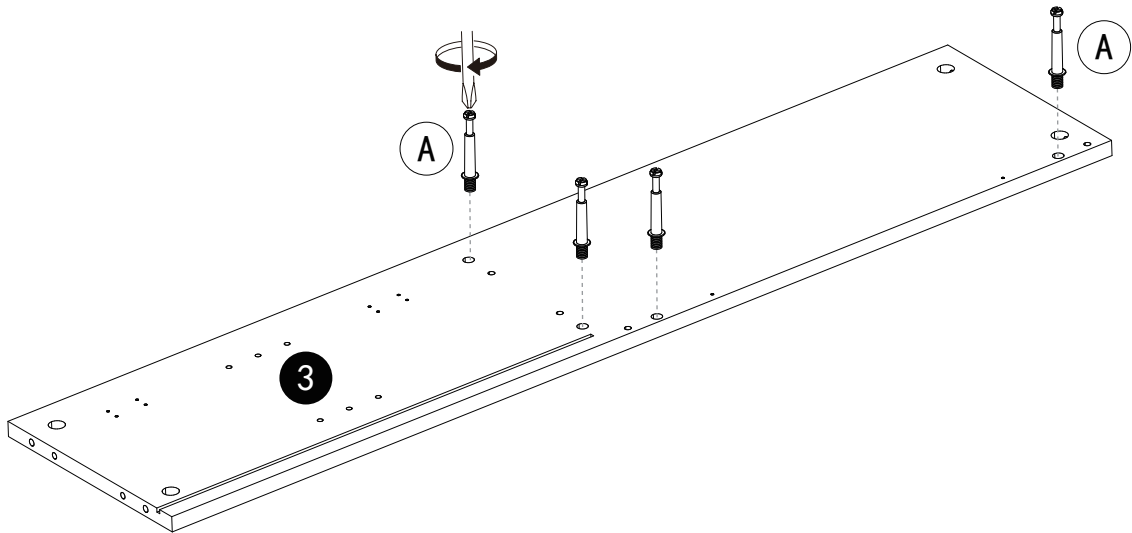
A		x4
B		x4

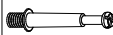

STEP 23



A		x4
B		x2

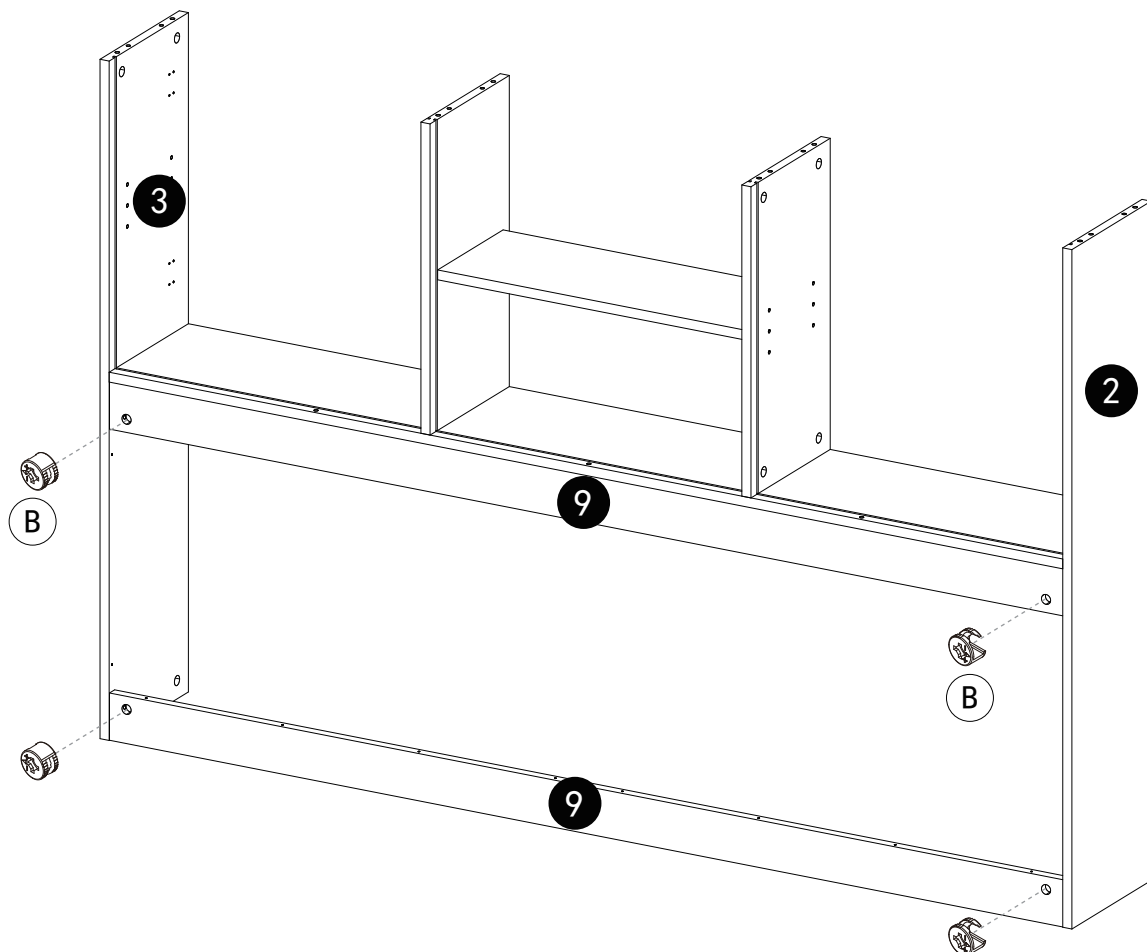
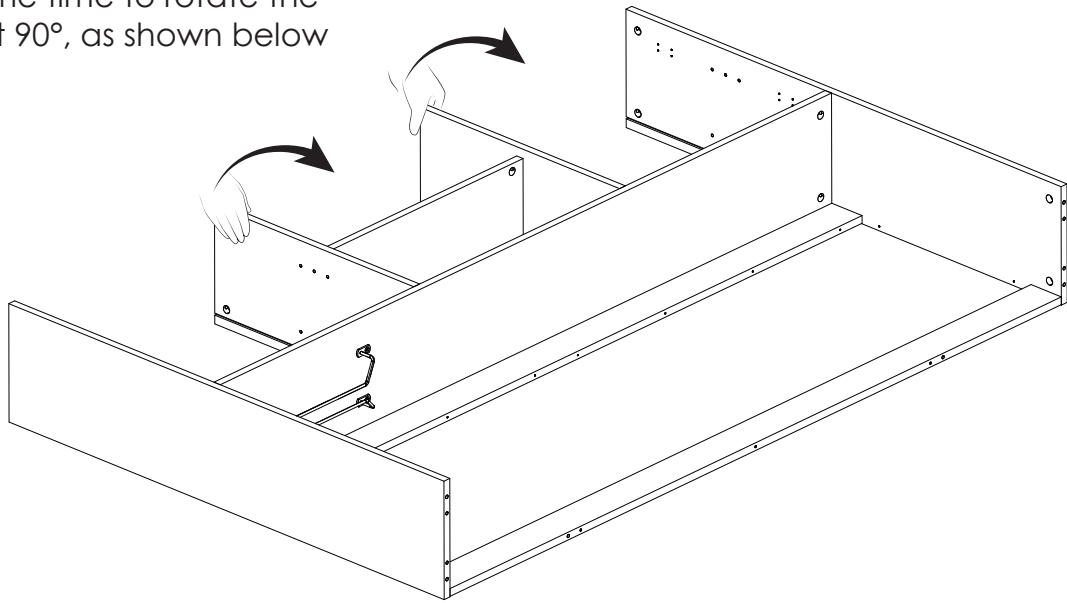
STEP 24



A		x4
B		x2

STEP 25

Lift the No. 6 and 7 plates at the same time to rotate the cabinet 90°, as shown below

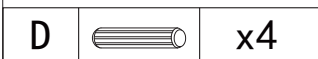
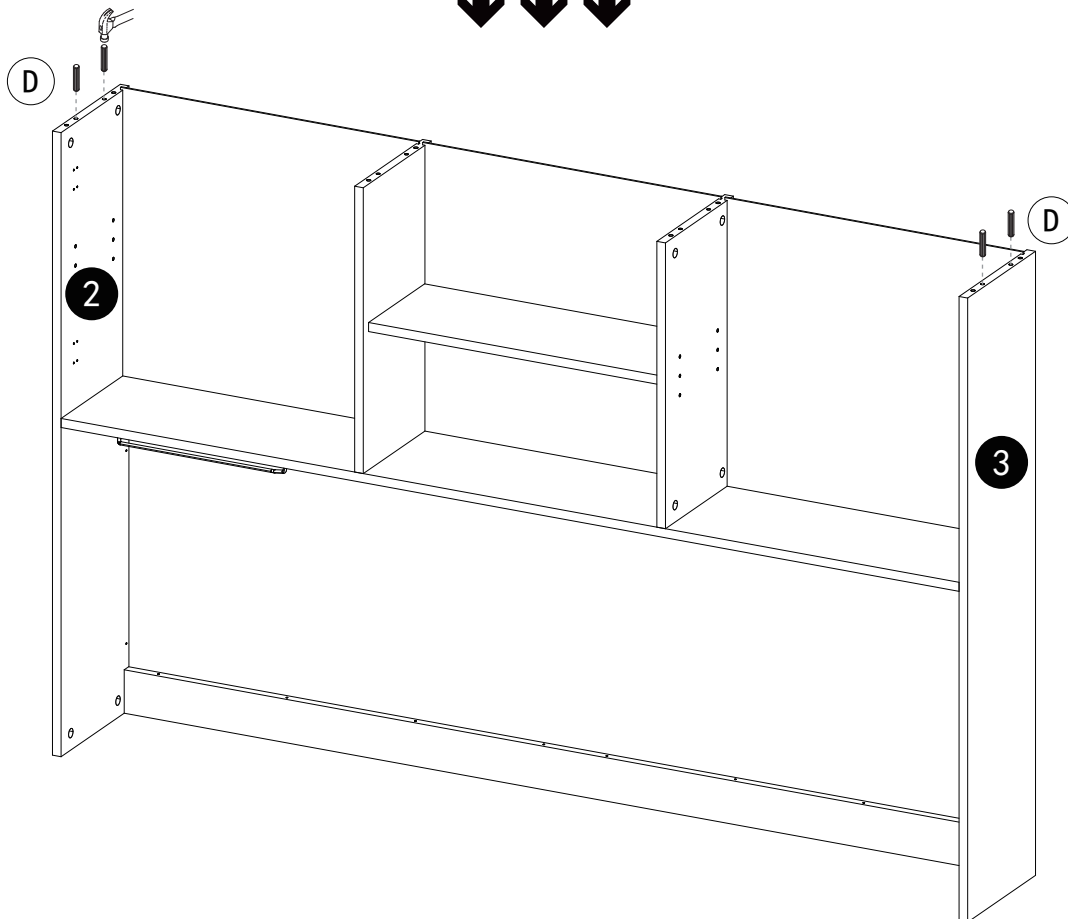
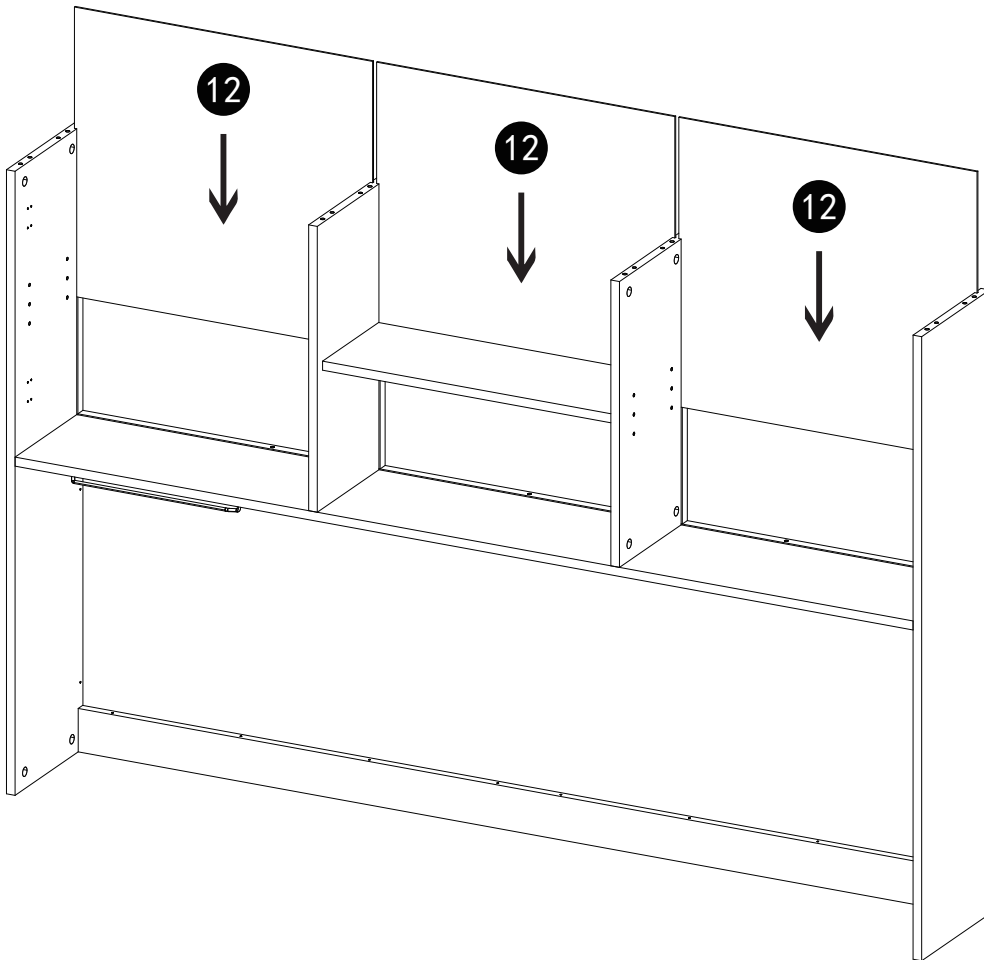


B

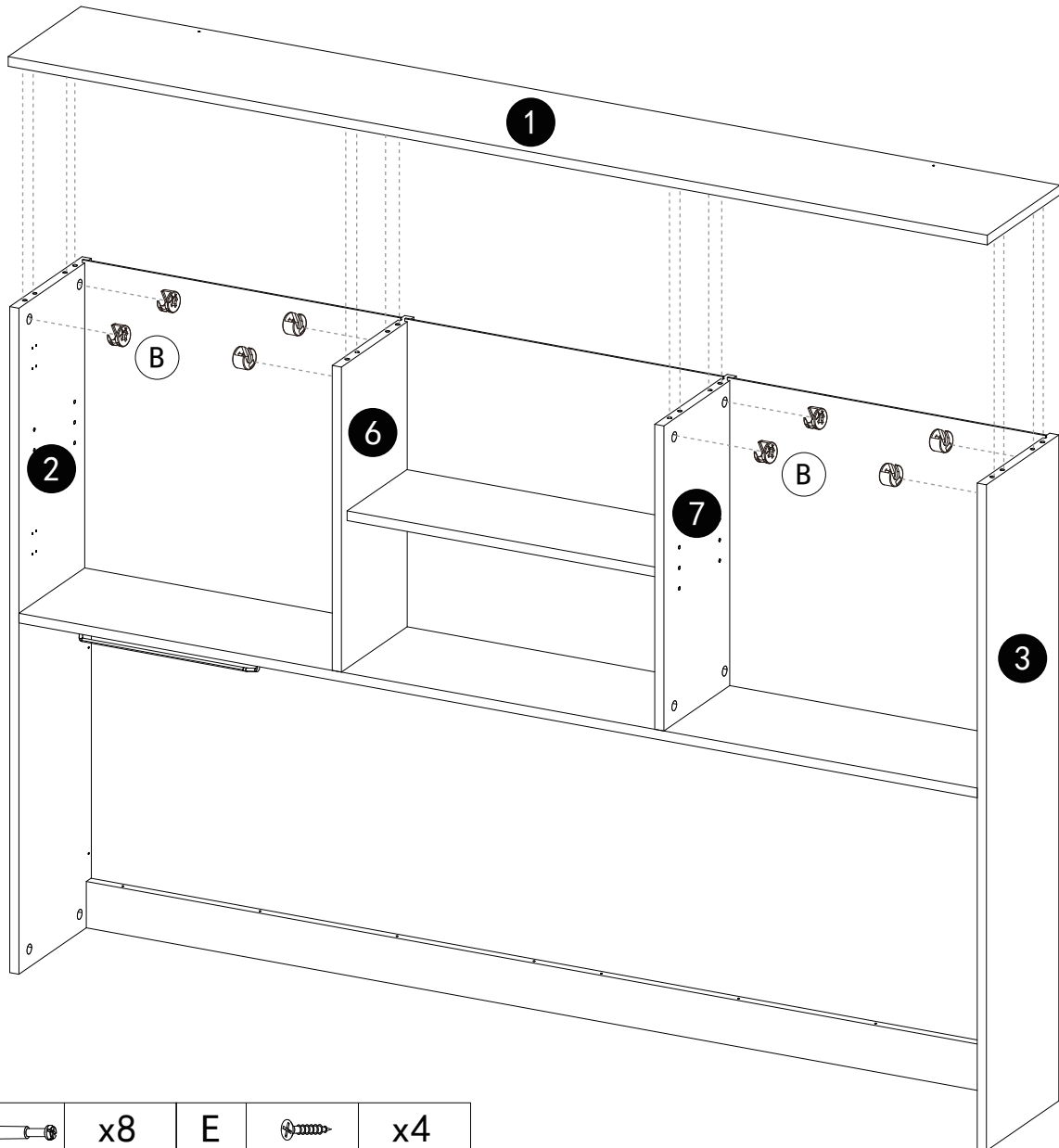
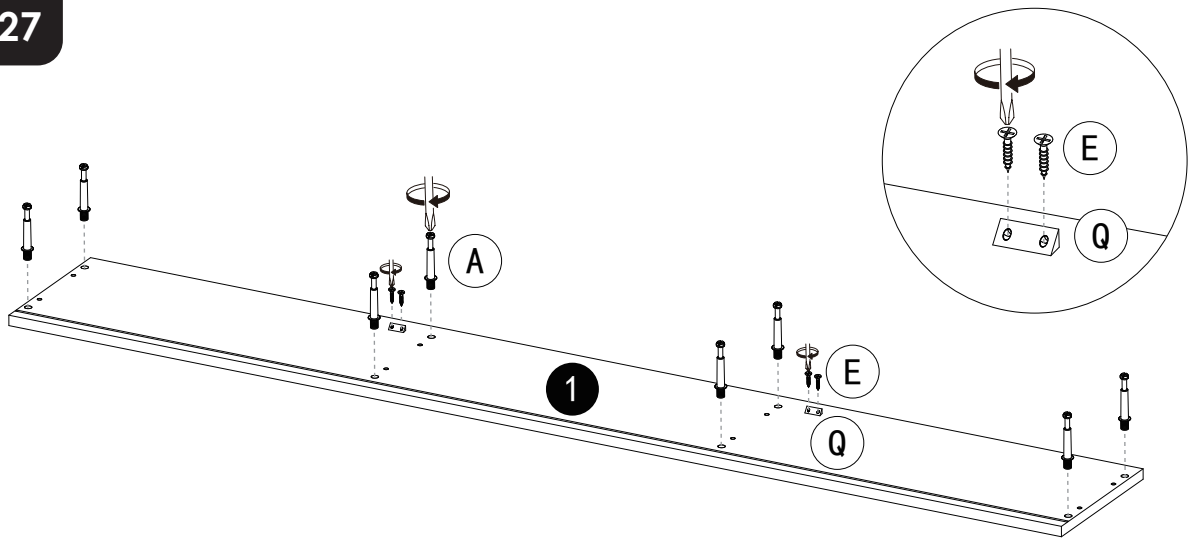


x4

STEP 26

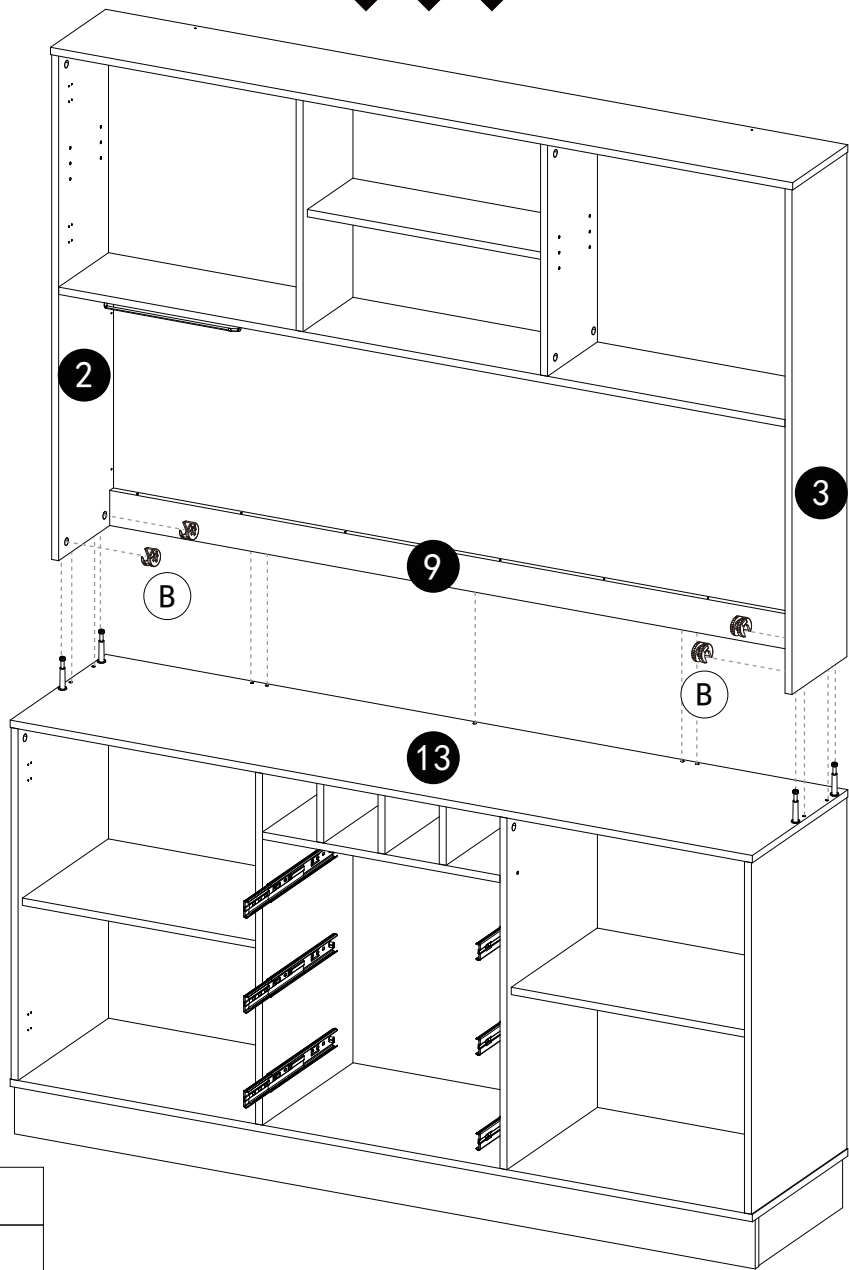
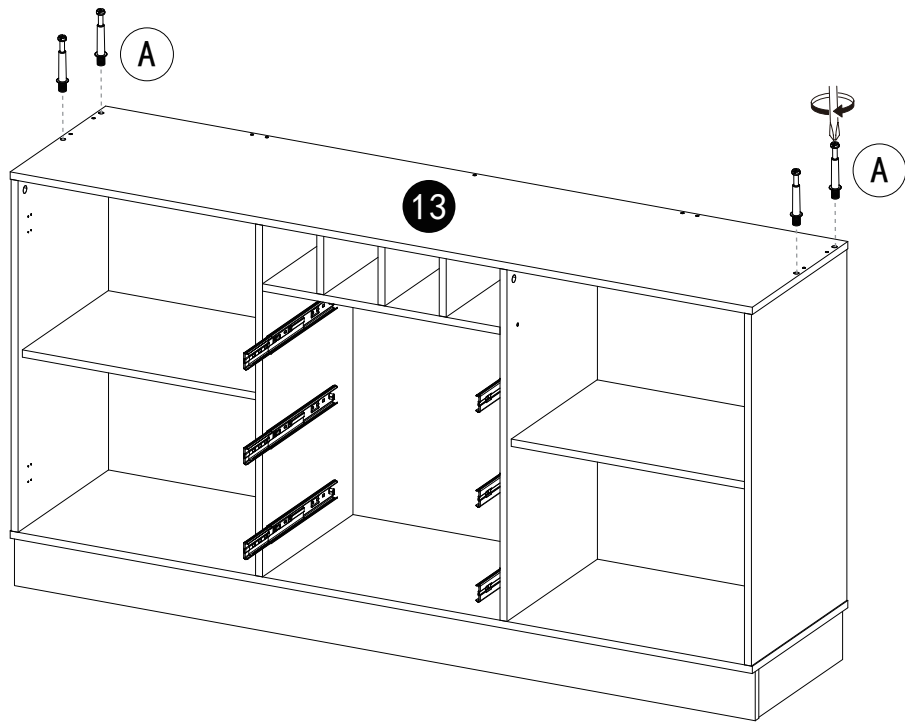


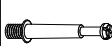

STEP 27



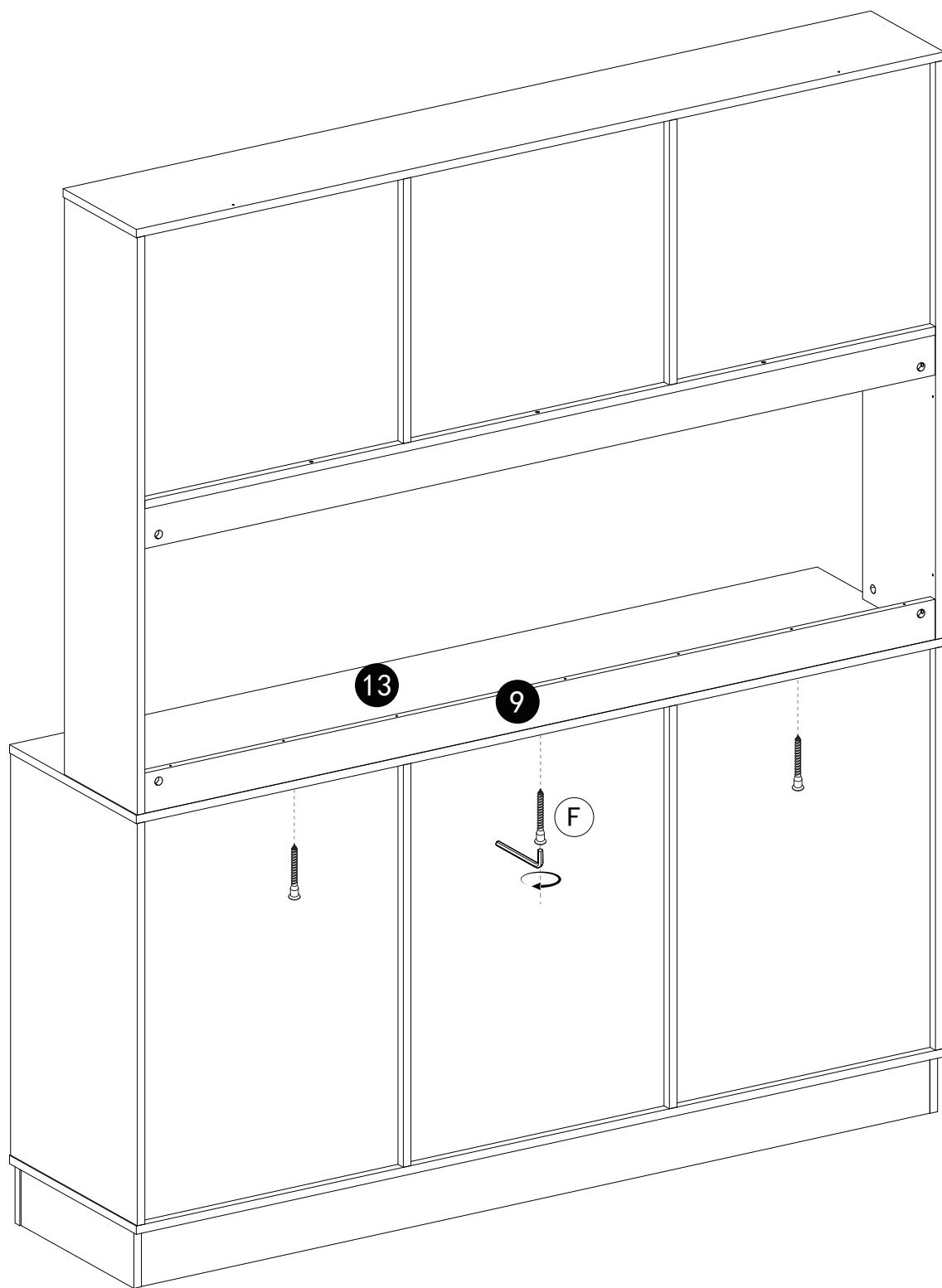
A		x8	E		x4
B		x8	Q		x2

STEP 28



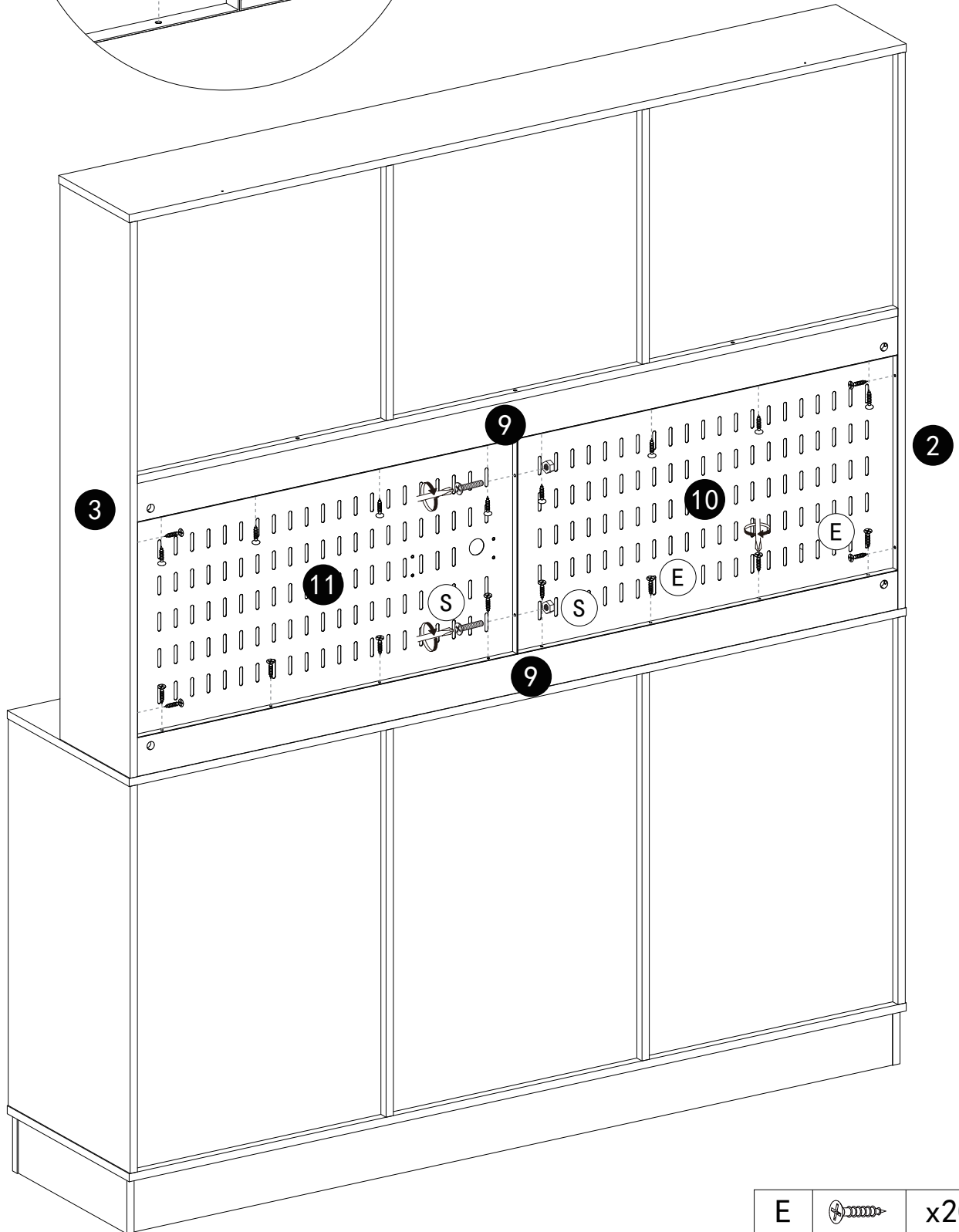
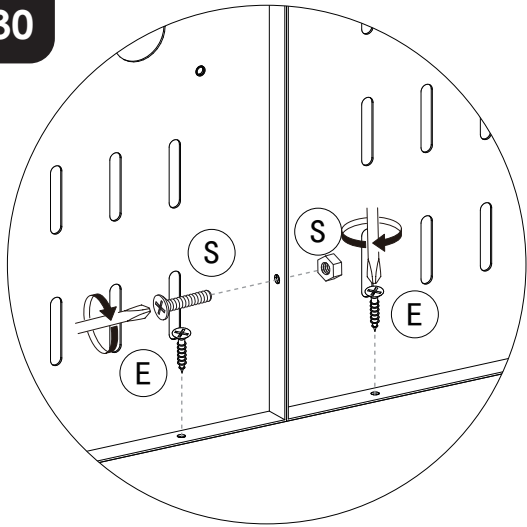
A		x4
B		x4



STEP 29



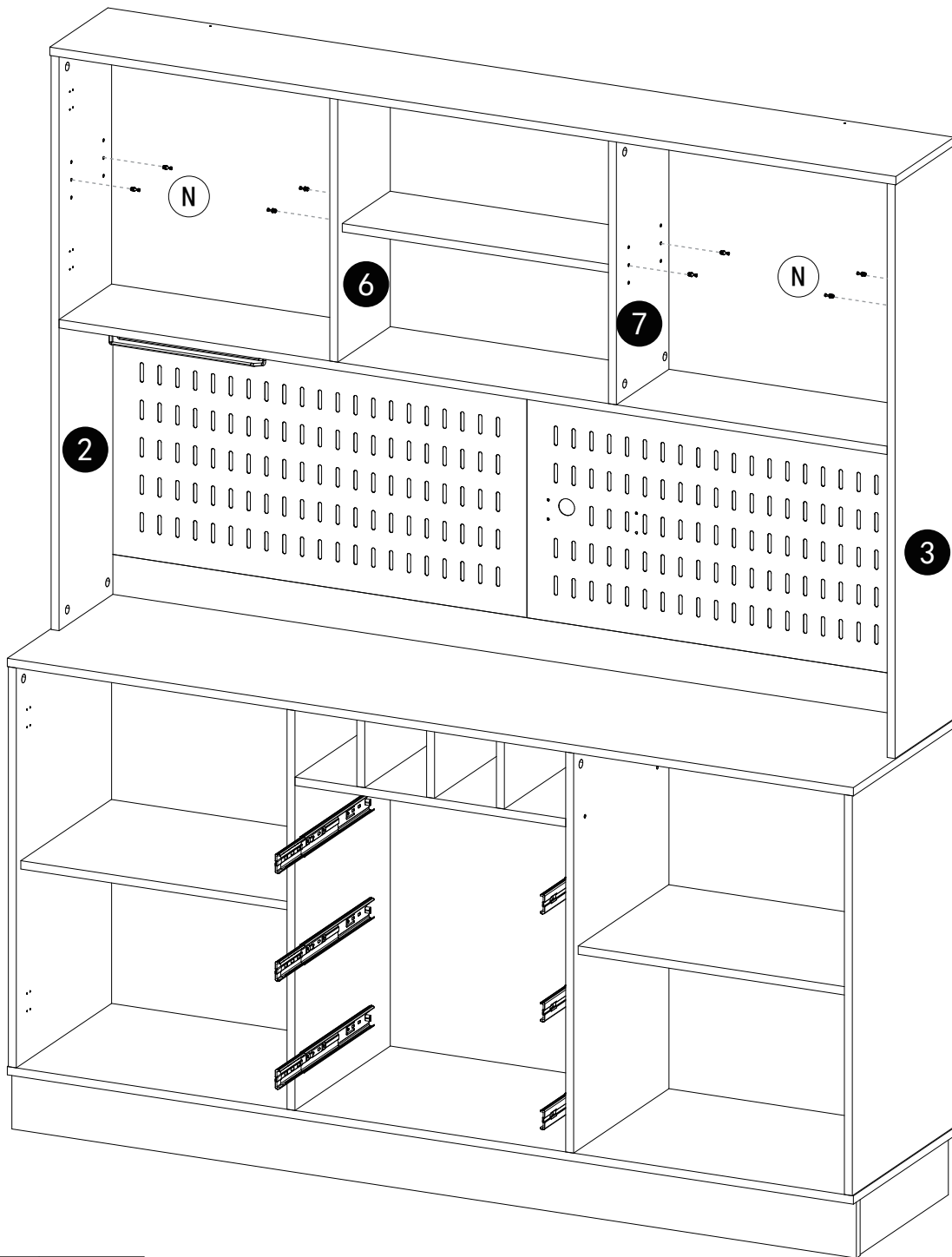
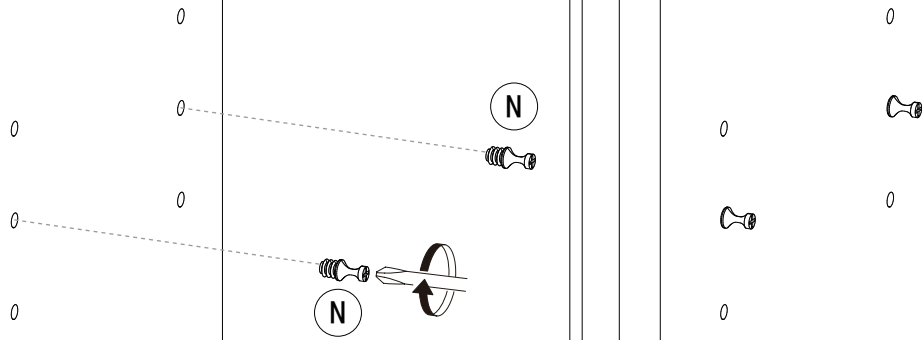
F		x3
---	---	----


STEP 30



E		x20
S		x2

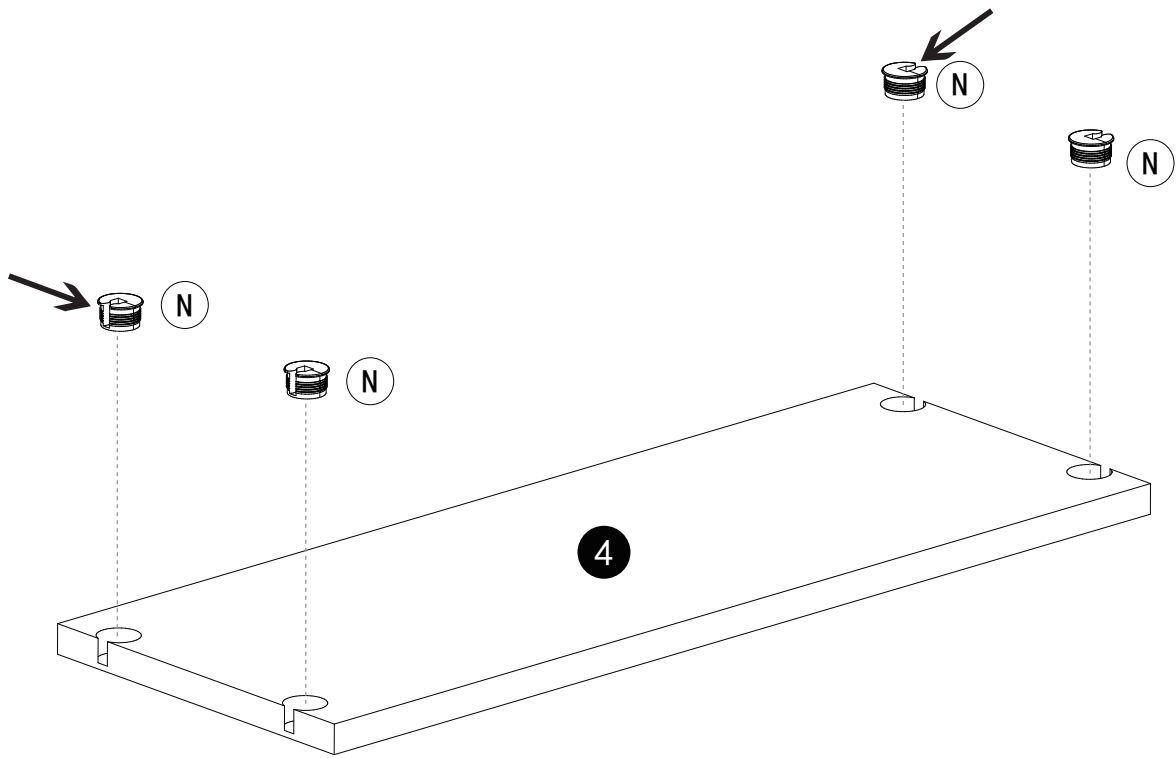
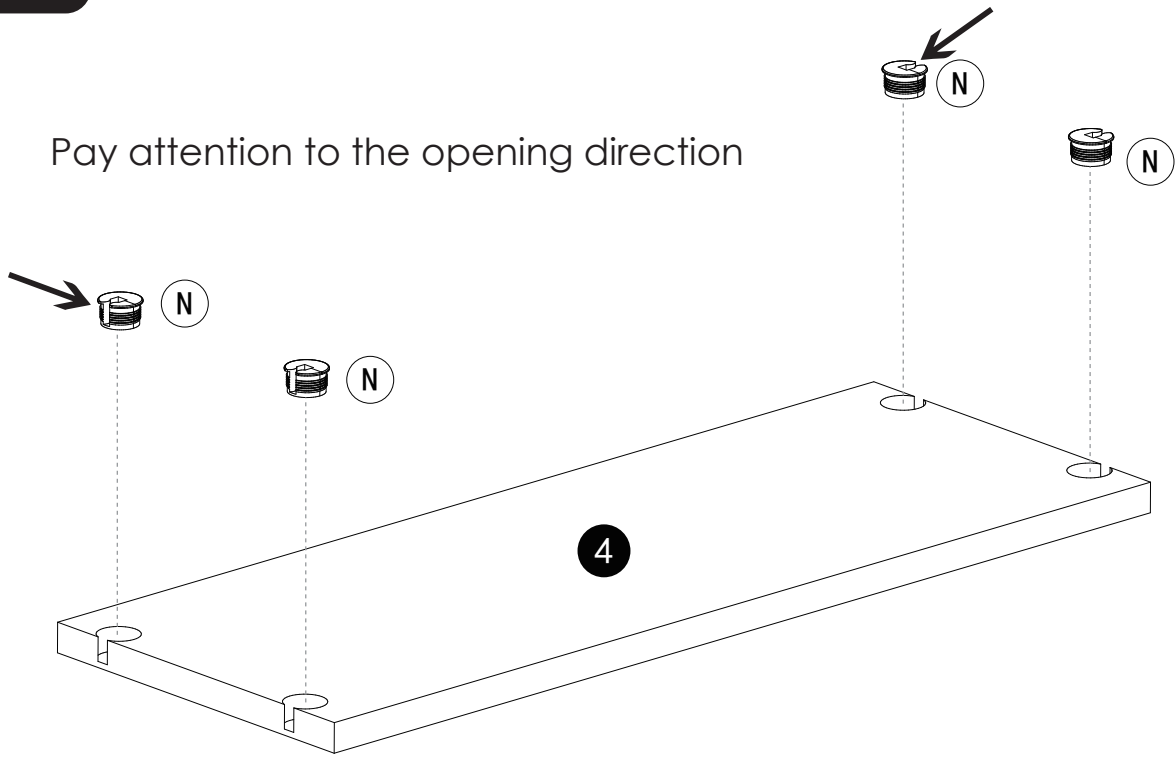
STEP 31



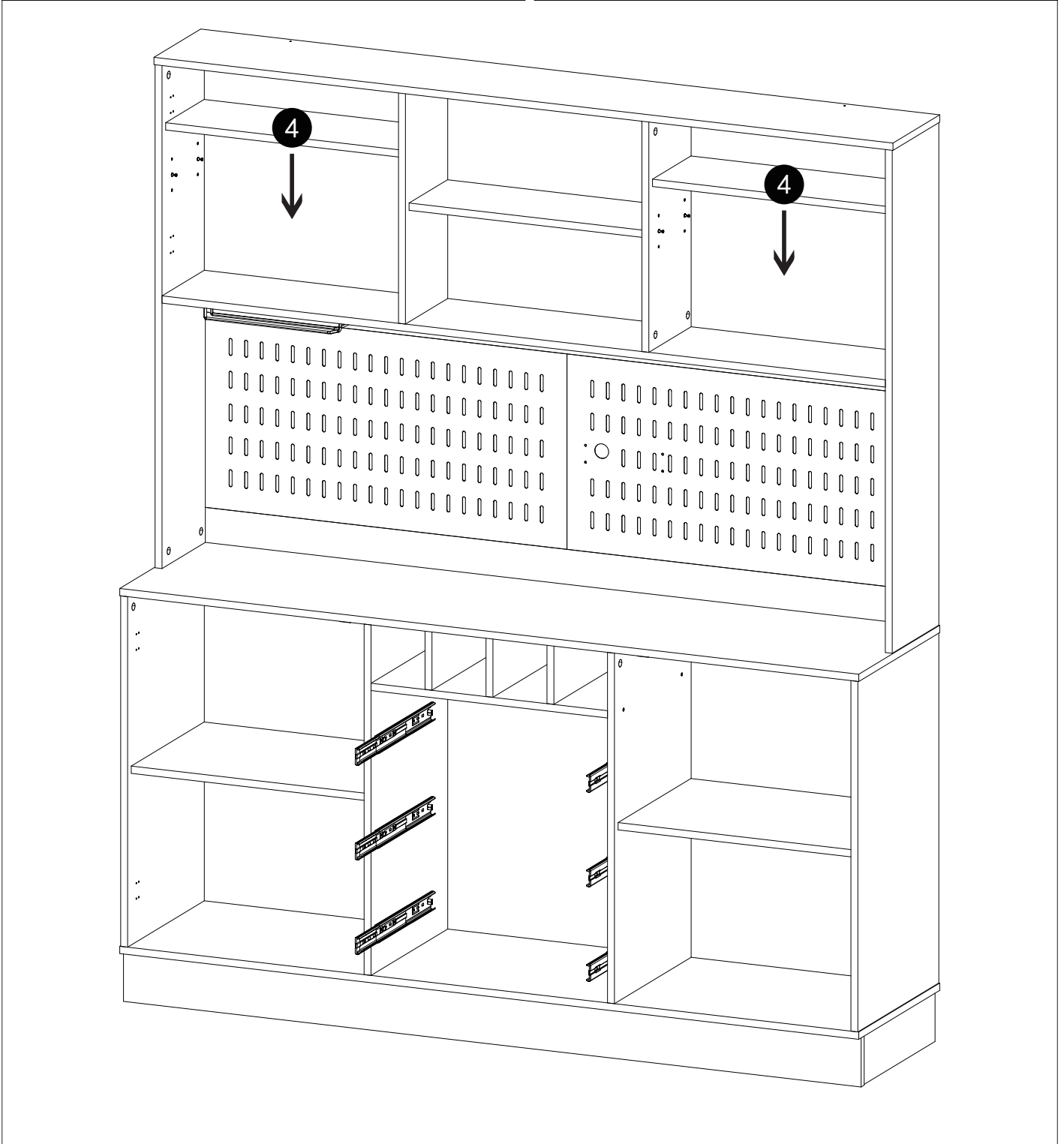
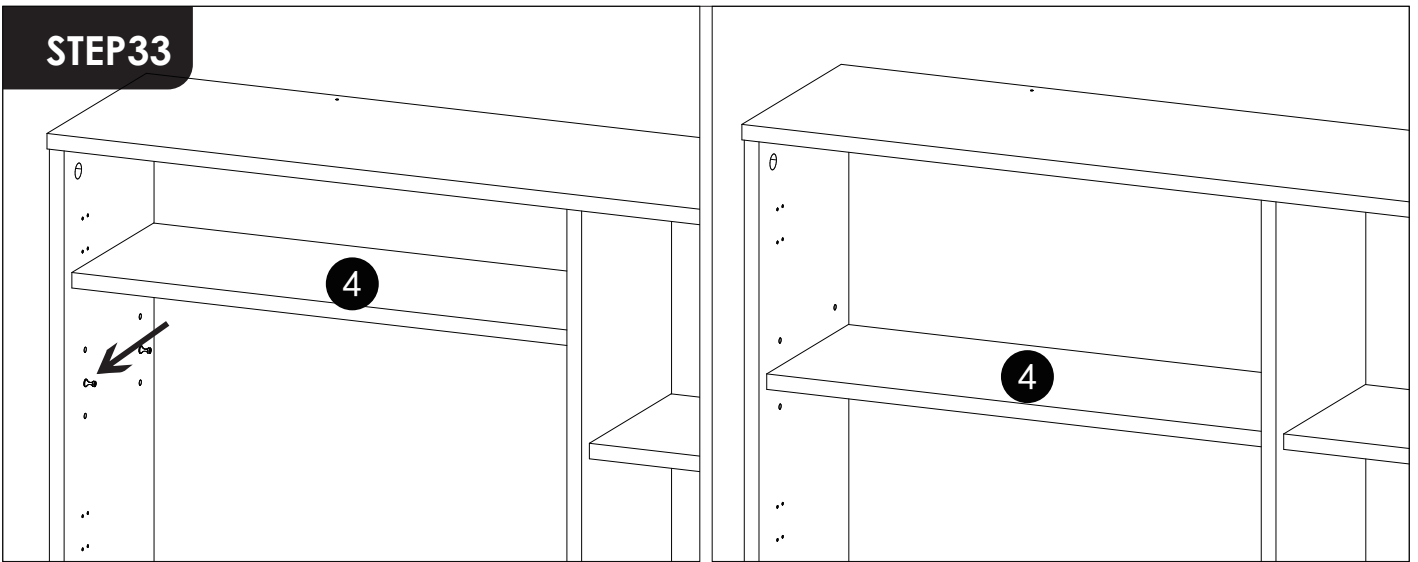
N		x8
---	---	----

STEP32

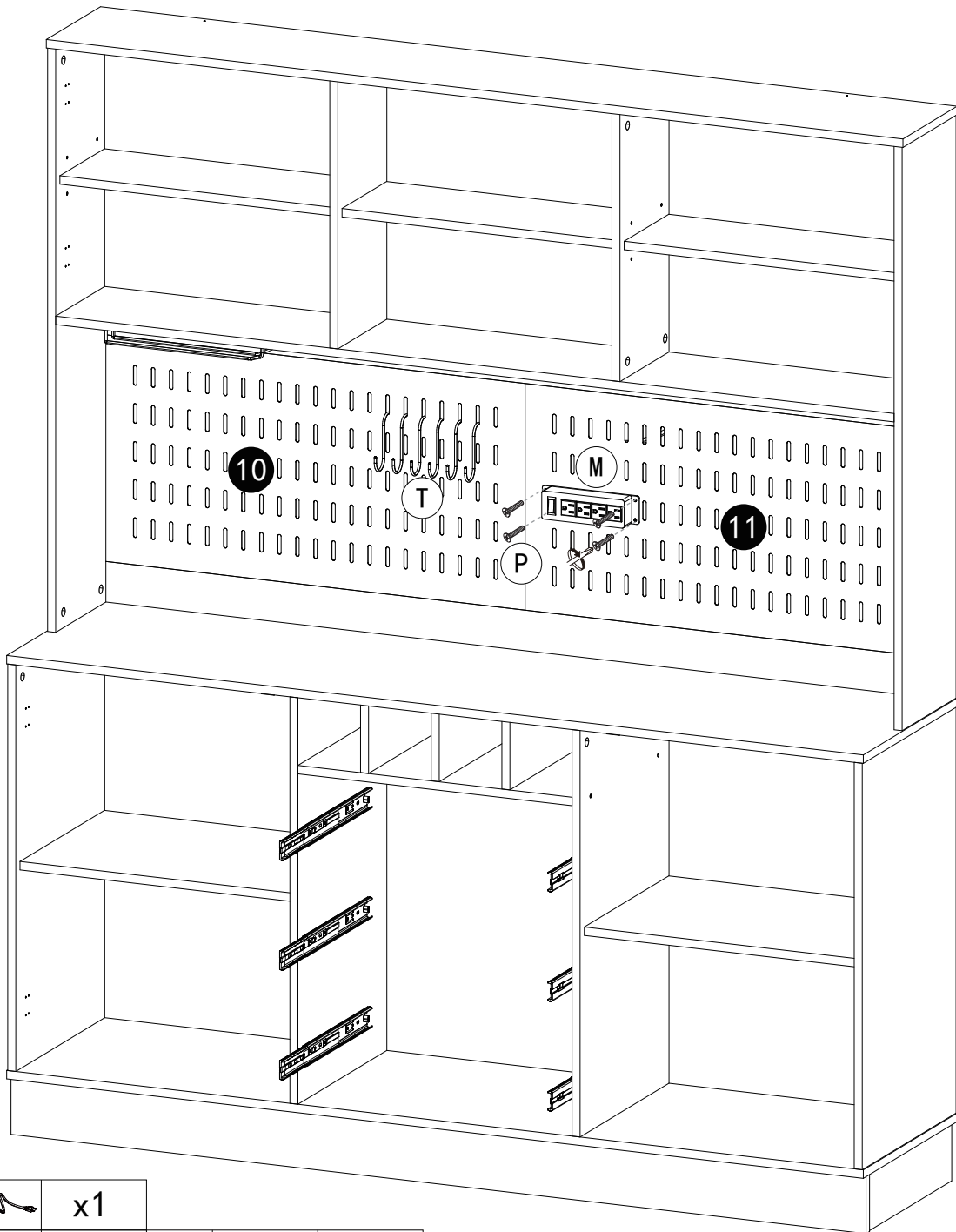
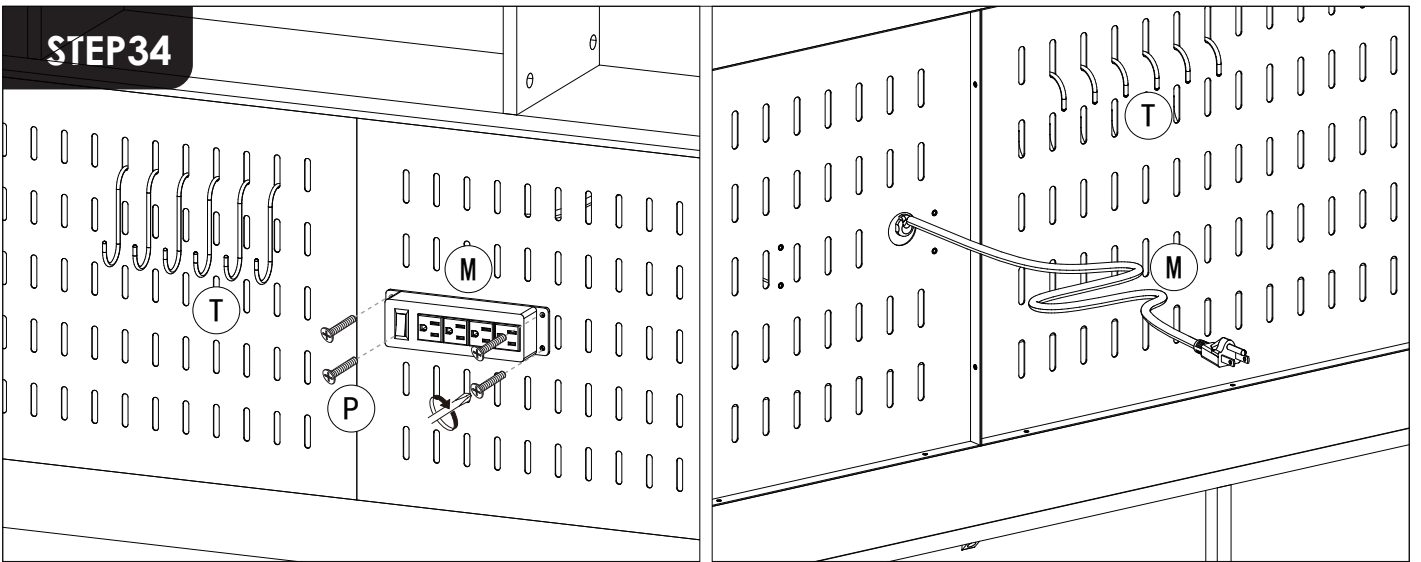
Pay attention to the opening direction



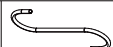


STEP 33

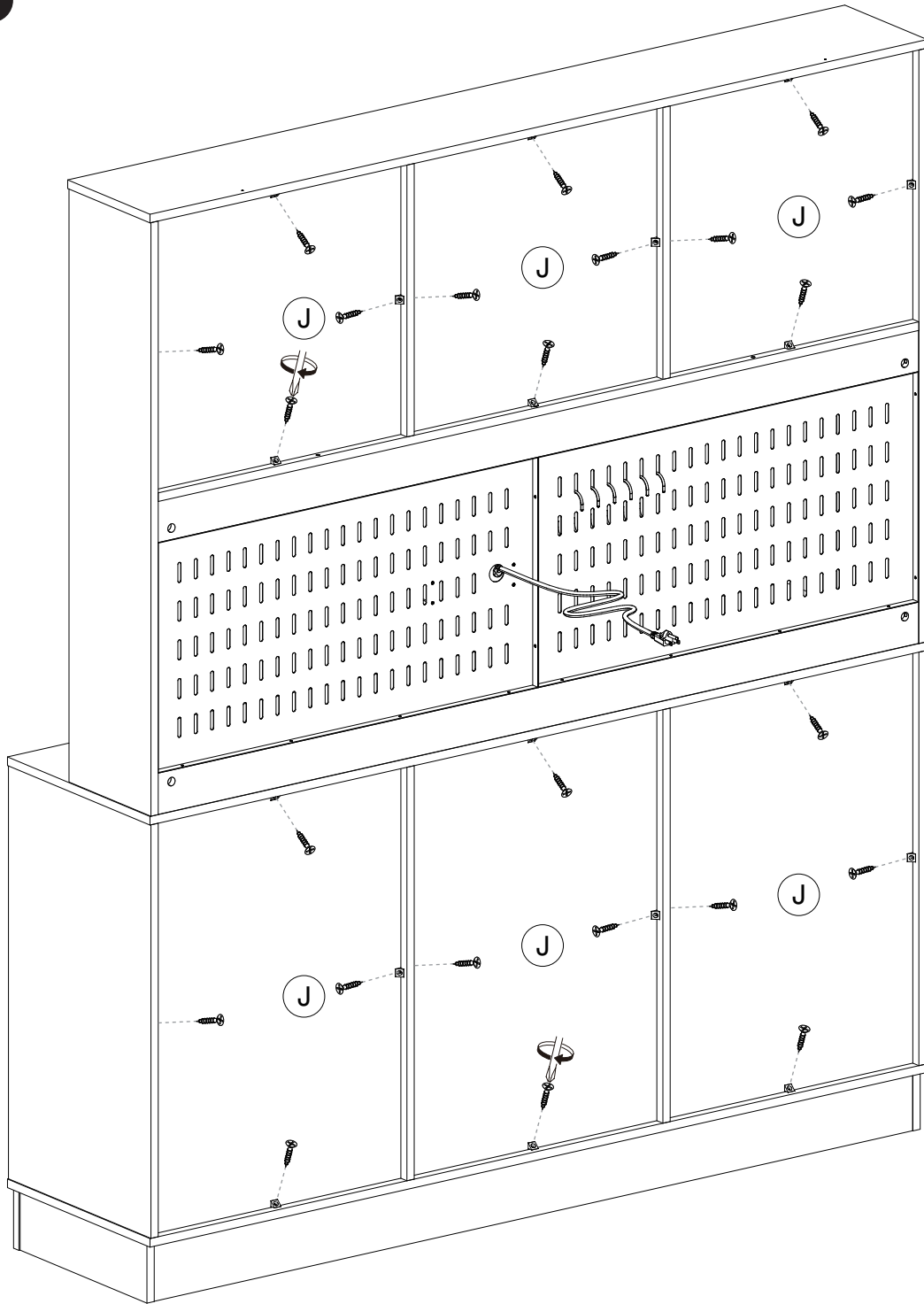



STEP 34

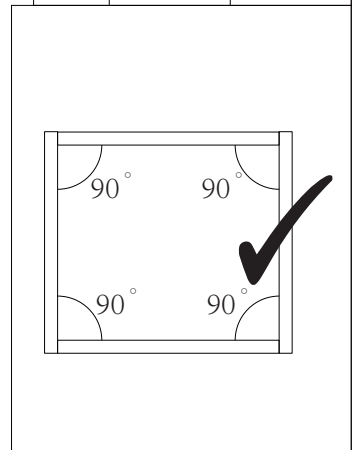
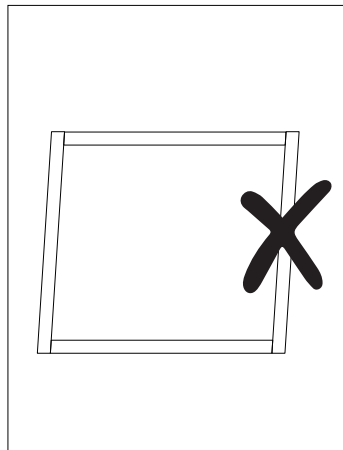
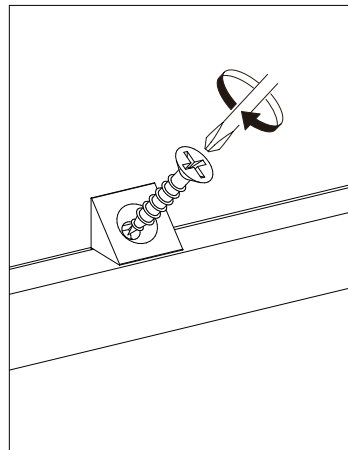
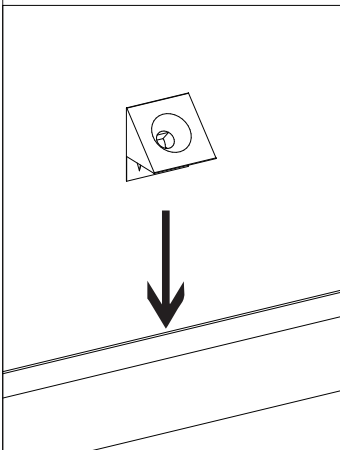


M		x1			
P		x4	T		x6

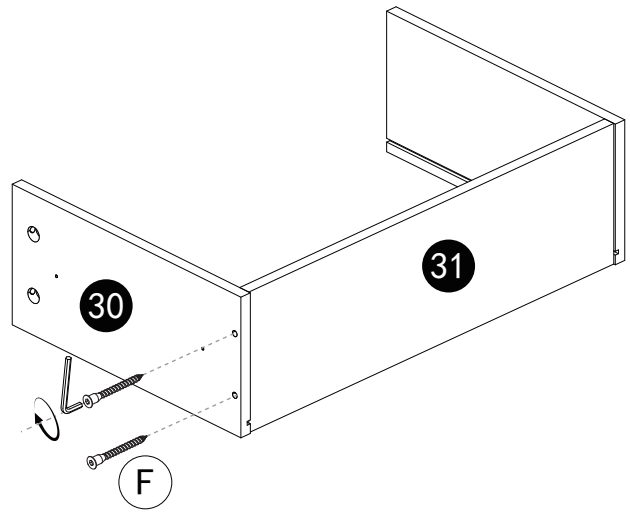
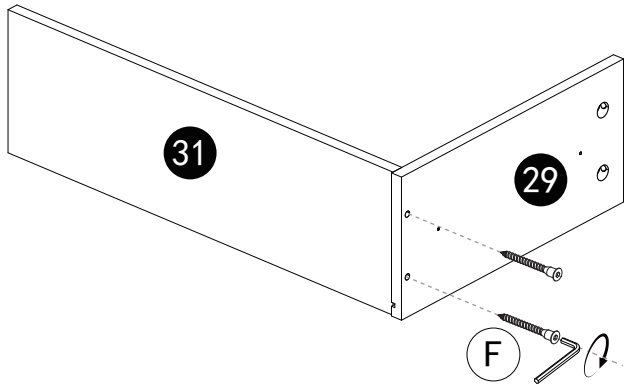
STEP35



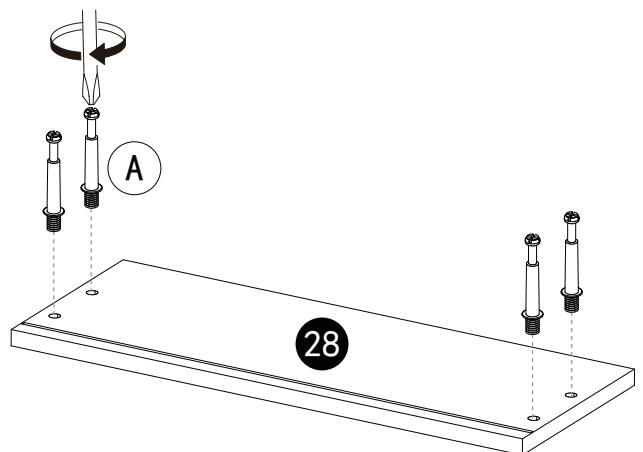
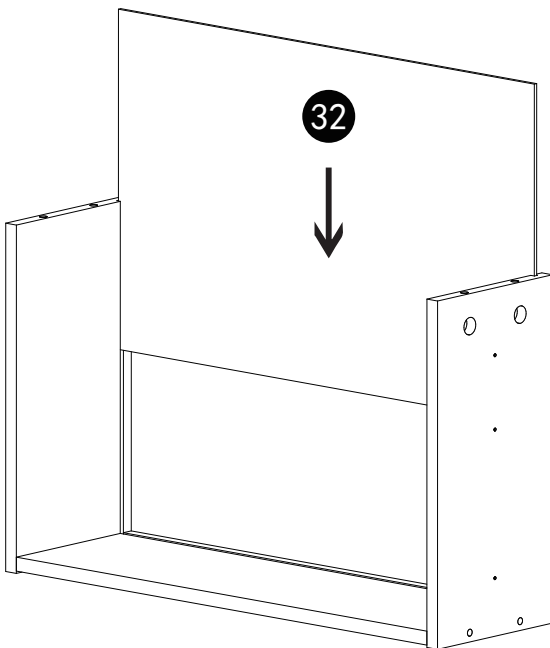
J  x24

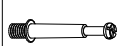



STEP36

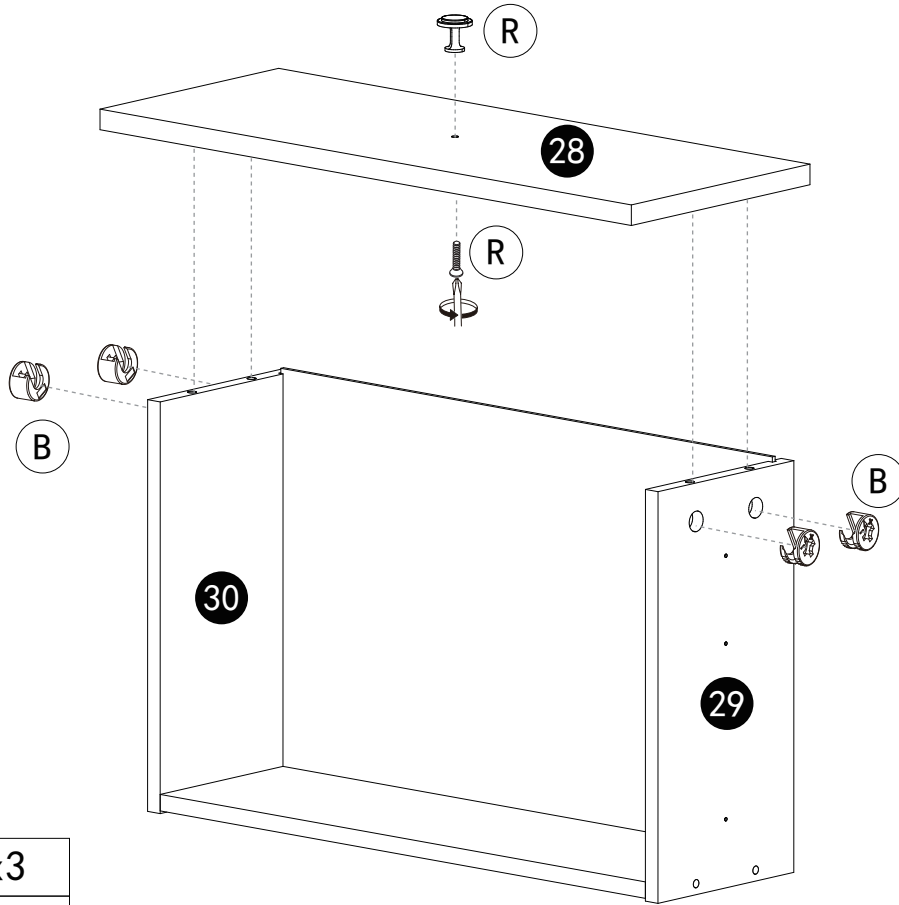


1 X3 2
3 4



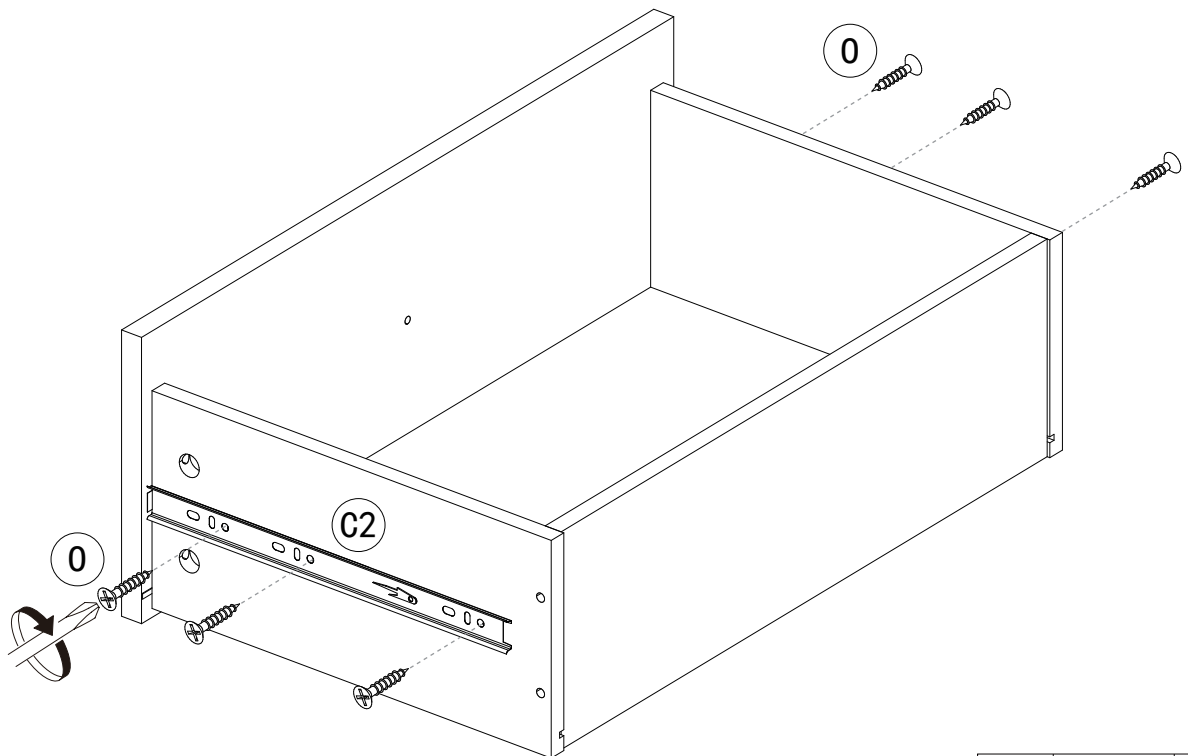
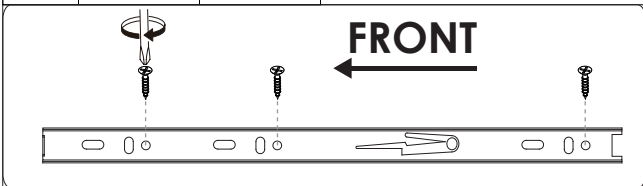
A		x12
F		x12

STEP37



R		x3
B		x12

X3

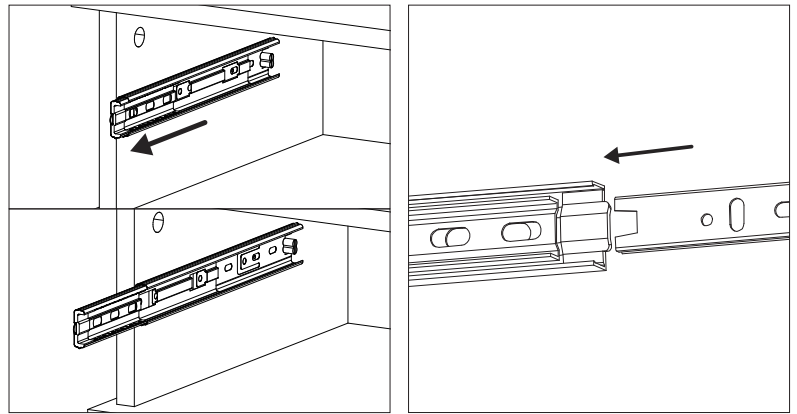


C2		x6
0		x18

STEP38

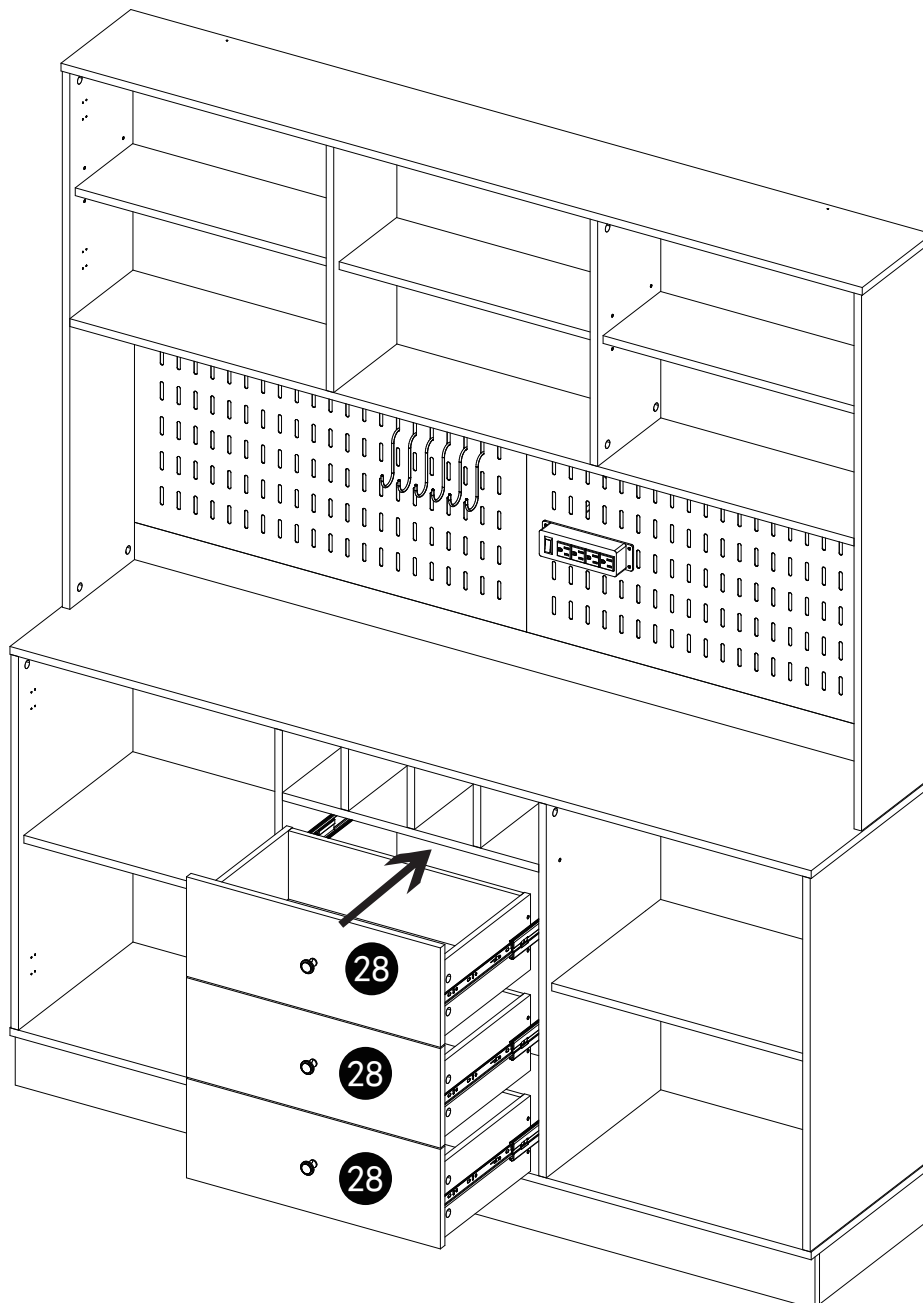
REMARK: Align the slide runners on the drawer with the unit and push it carefully inside until it stops.

★ If the drawer does not go in smoothly please take it out and repeat the step.



REMARK:

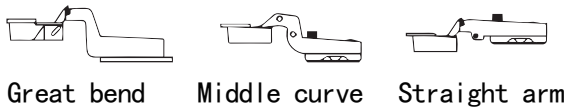
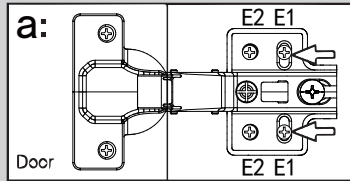
1. First, slide the slide and ball on both sides of the slide to the outside.
- 2, when installing the drawer, align both sides first, and then push both sides inward at the same time.



STEP 39

Hinge adjustment

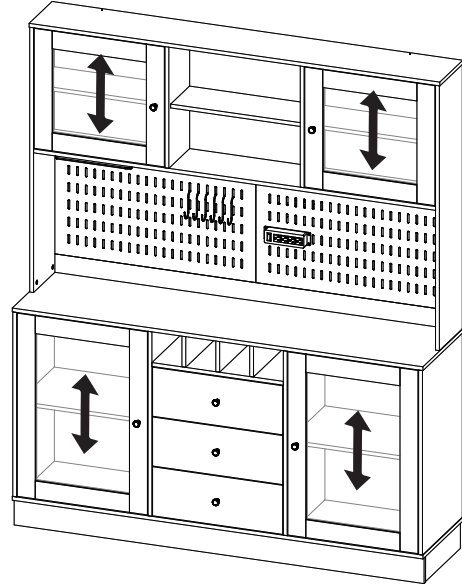
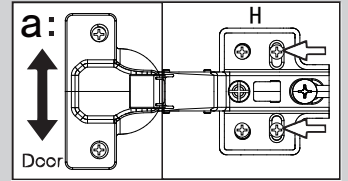
To facilitate the adjustment, install the E1 screw first, and then install the E2 screw.



Hinge adjustment

a: To move doors up or down: loosen screws shown and move doors to suit.

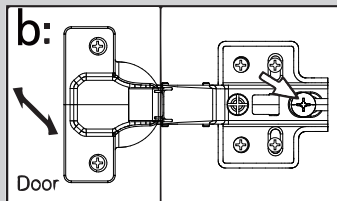
Once doors are aligned, re-tighten Screws H



Hinge adjustment

b: To move doors in or out: loosen screw shown and move doors to suit.

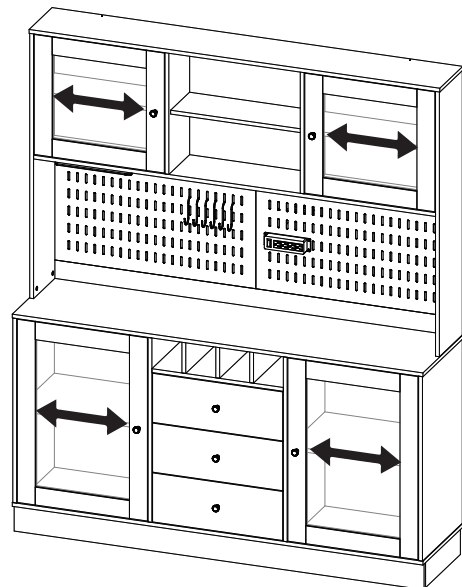
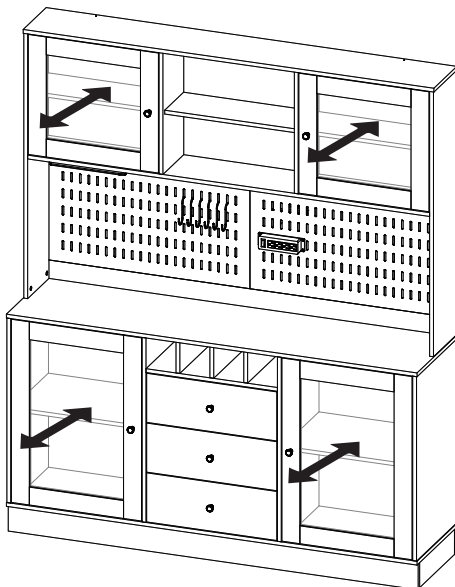
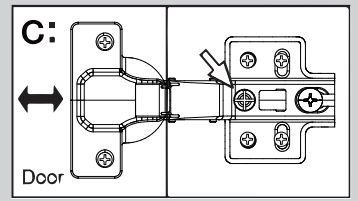
Re-tighten screws

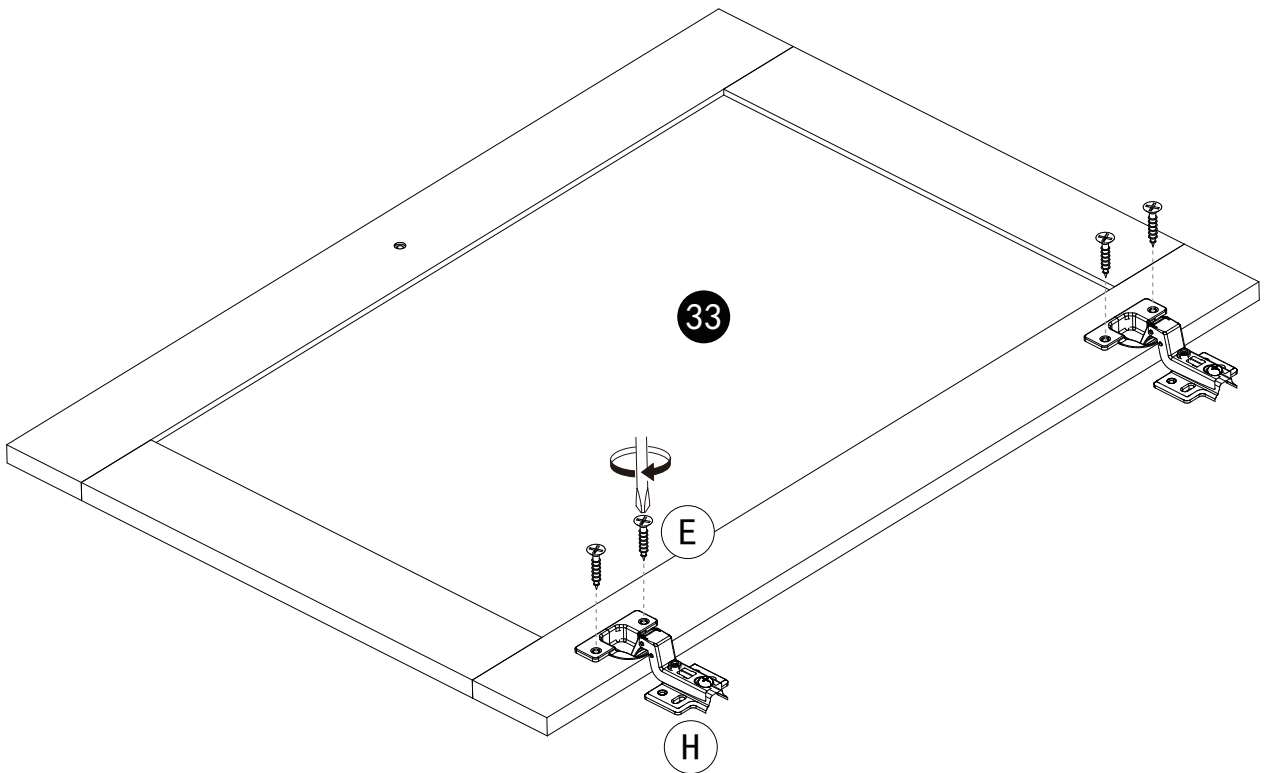
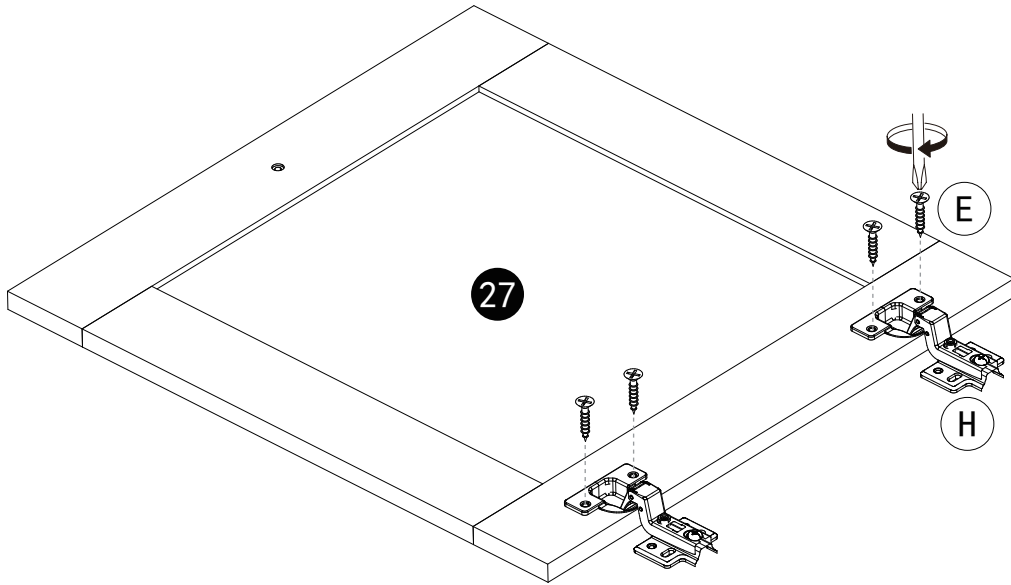




Hinge adjustment

c: To move doors left or right: loosen screw shown and move doors to suit.

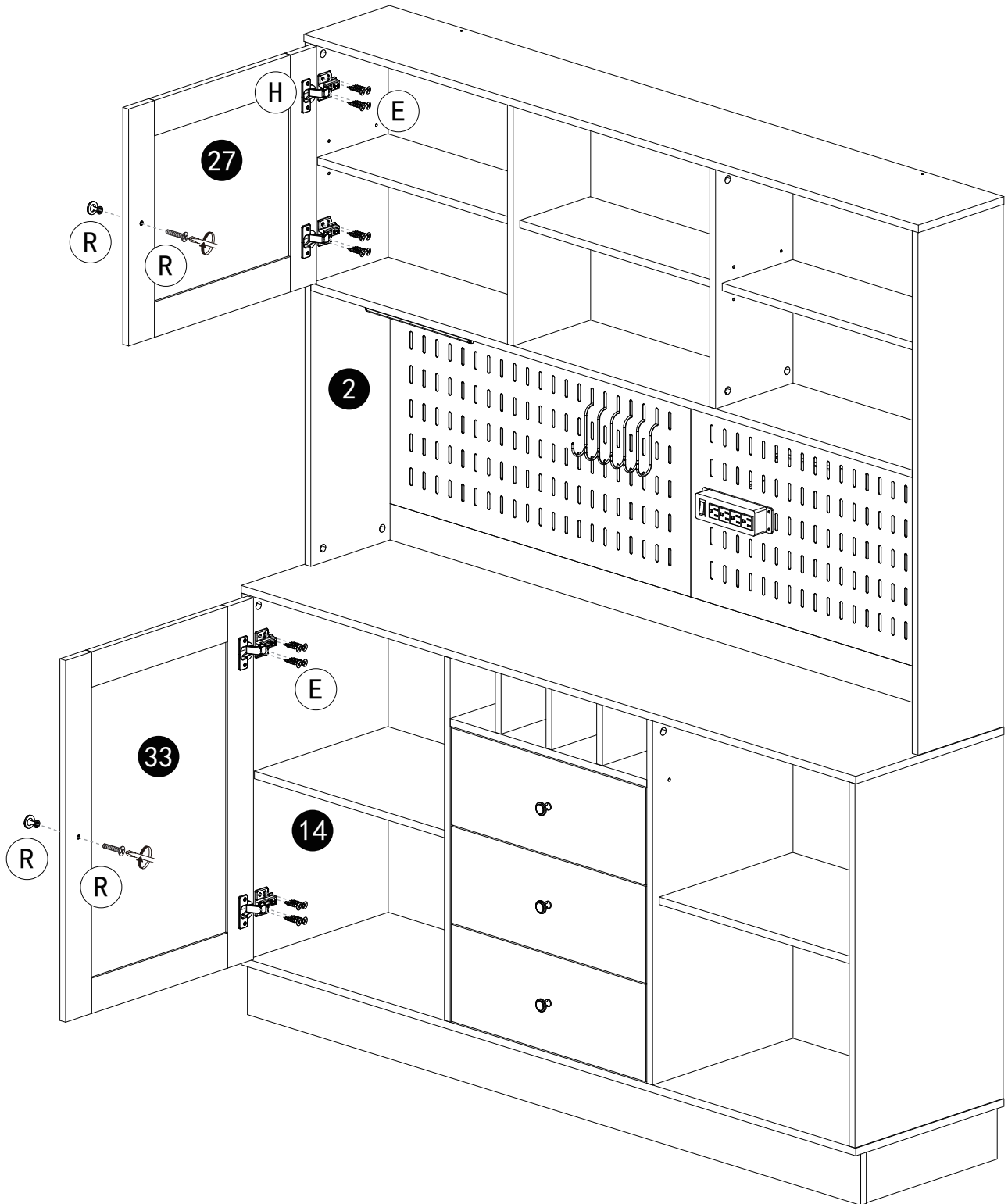
Re-tighten screws








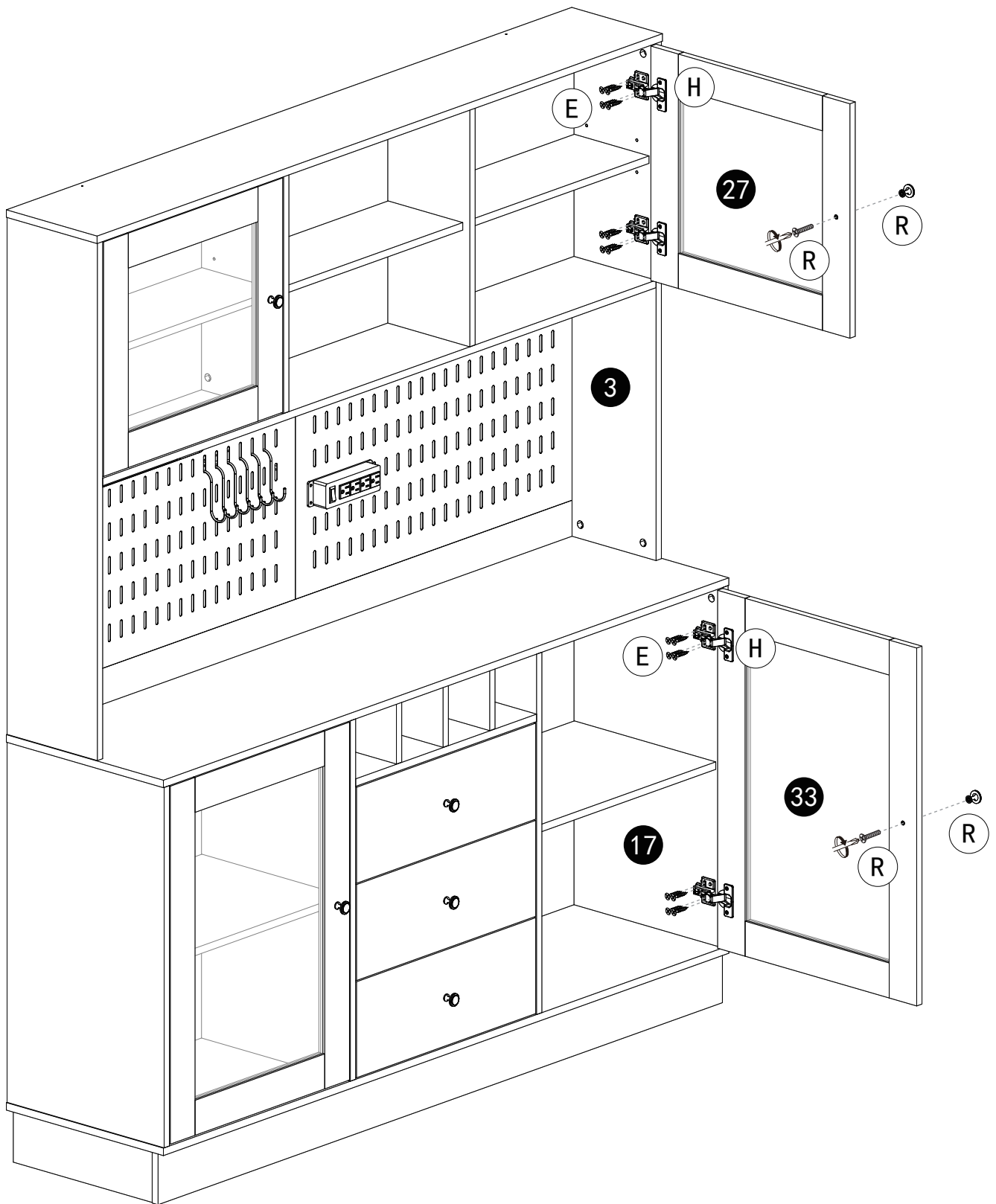
H		x8
E		x16




STEP 41



R		x2		
E		x16	H	

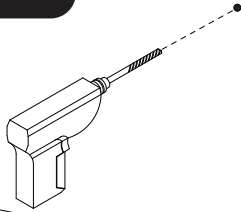
STEP 42



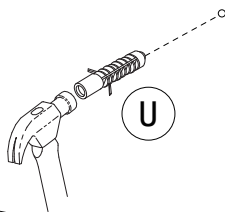
R		x2
H		
E		x16

STEP 43

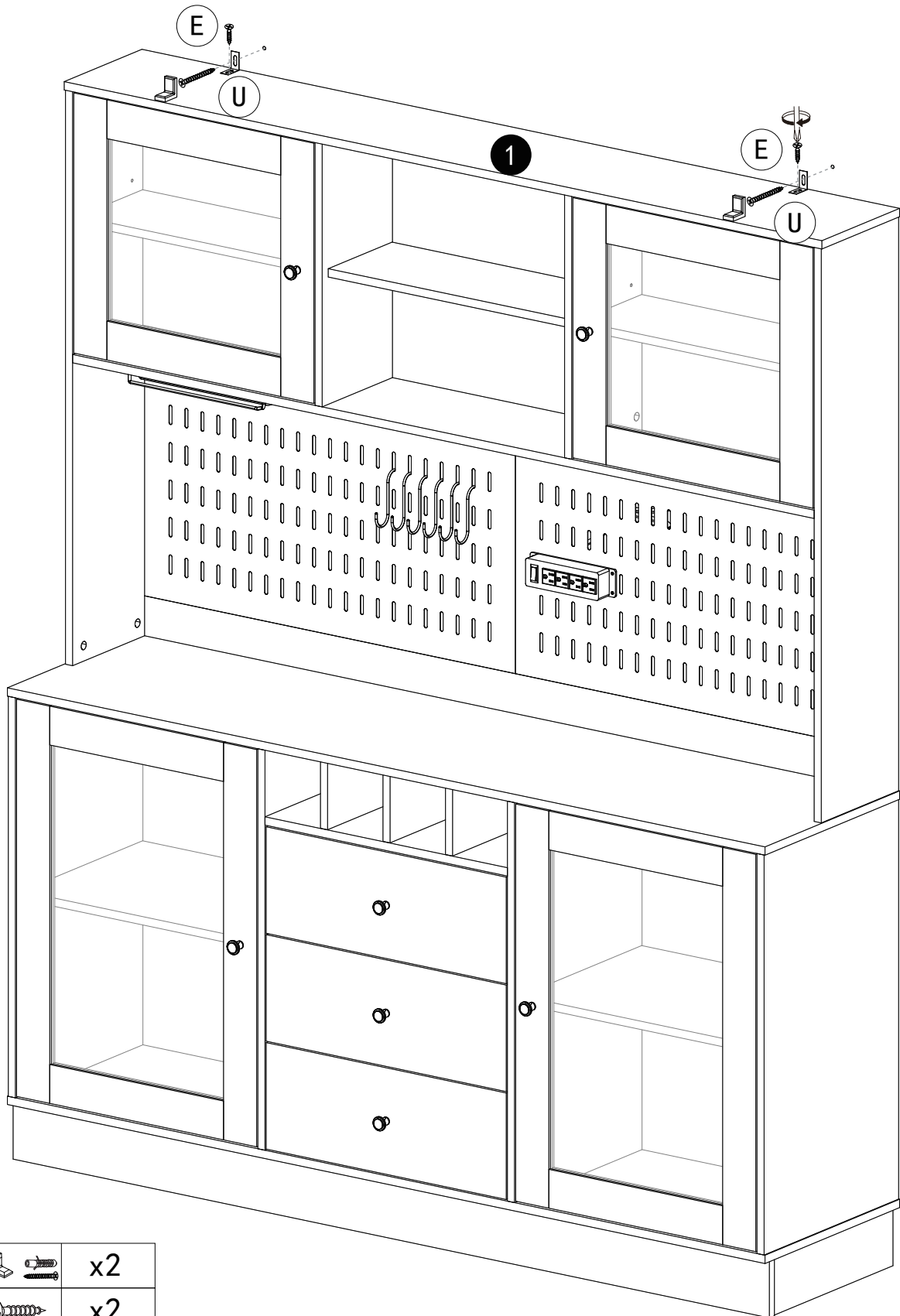
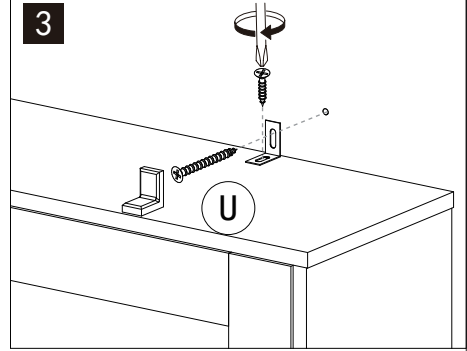
1



2

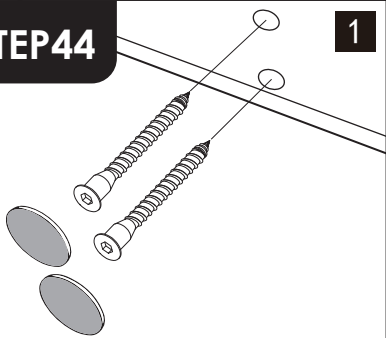


3

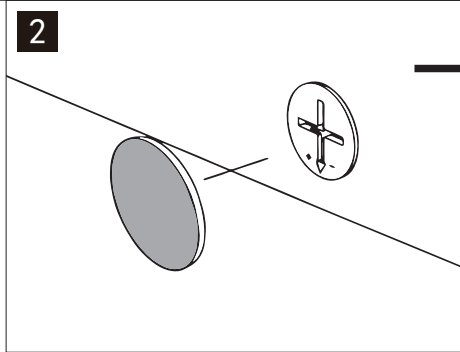


U		x2
E		x2

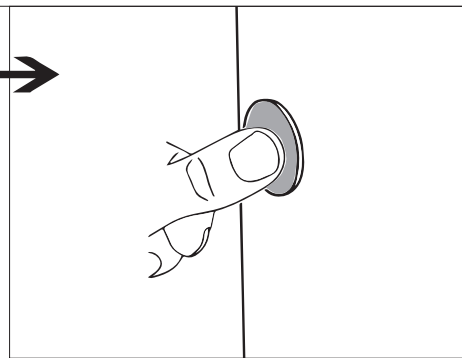
STEP 44



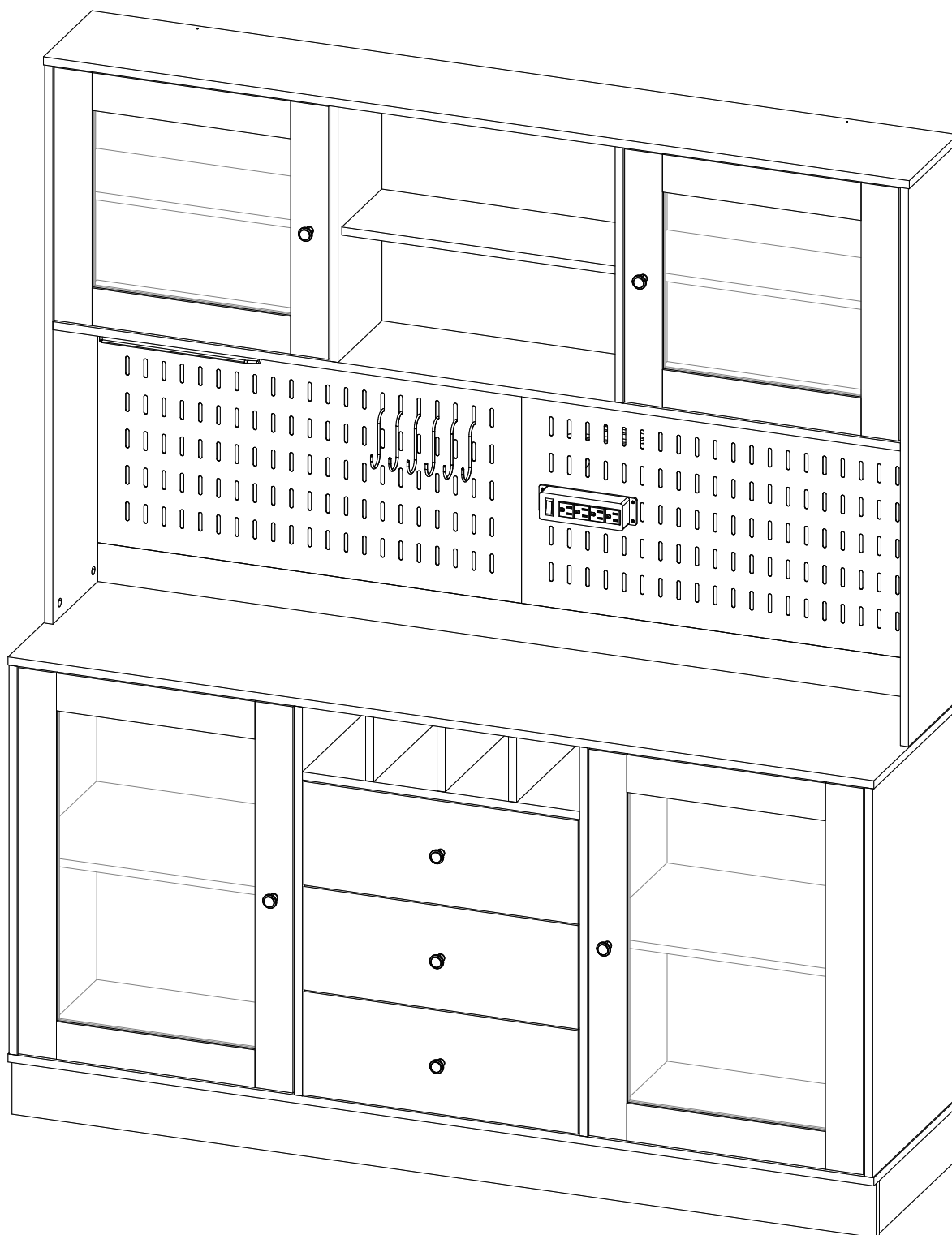
1



2



Add L fittings to all exposed holes on the front of the product



L



x56