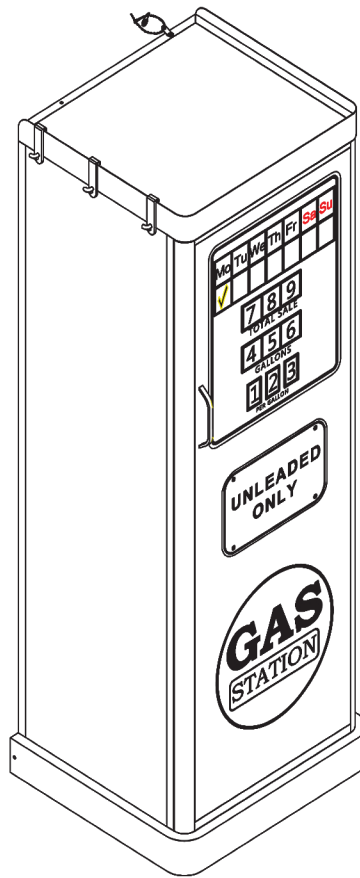


Assembly Instructions



ASSEMBLY RATING

The Assembly Rating is a 5-point system that shows the degree of effort needed in assembling a specific product (with 1 being easy and 5 being difficult). For some products, two persons are recommended.

EASY  DIFFICULT

Tools Required For Assembly:

Allen Wrench



(Included)

Phillips Screwdriver



(Not Included)

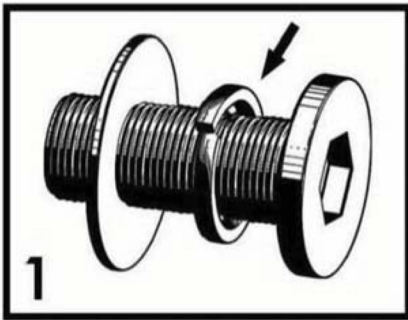


2 PERSONS RECOMMENDED

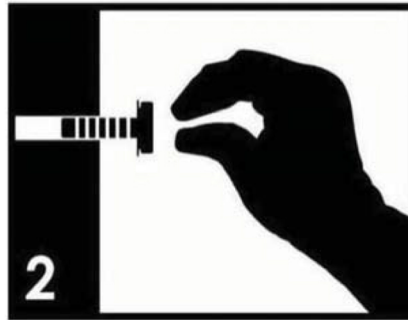
ASSEMBLY & CARE ADVICE

FOR YOUR FURNITURE TO LAST, CORRECT ASSEMBLY AND PROPER MAINTENANCE ARE NECESSARY. PLEASE FOLLOW THE INFORMATION PROVIDED BELOW TO FULLY ENJOY YOUR FURNITURE.

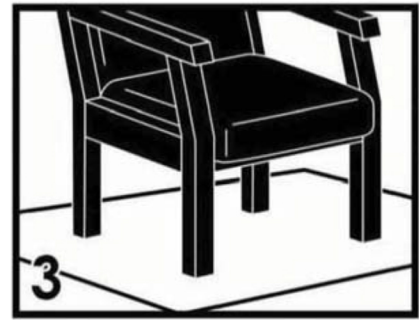
BASIC ASSEMBLY TECHNIQUES



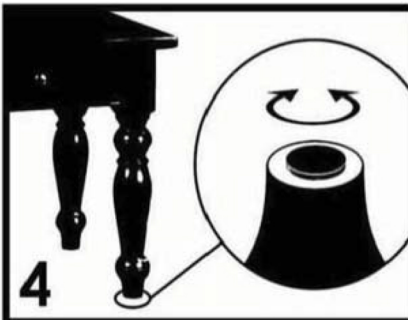
When lock or spring washer is used in an assembly, please make sure the lock or spring washer is placed between the larger flat washer and the head of the screw or bolt.



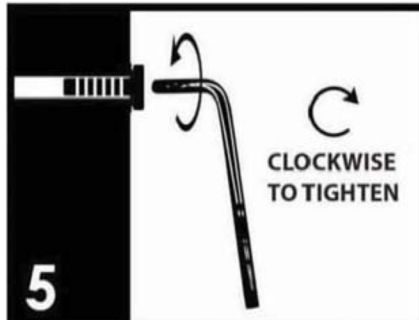
Position each part correctly and insert screws or bolts into their respective holes by hand tighten or using the proper hand tool. Only tighten when step is completed or when instructed to do so.



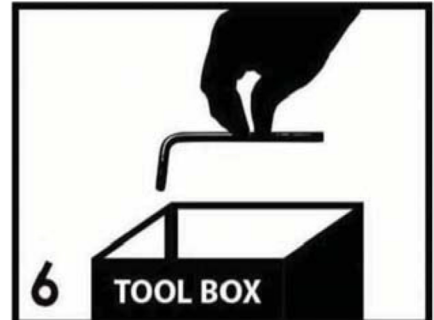
Use cardboard or carpet area when assembling furniture to prevent scratches. Make sure the furniture rests on a flat and level surface with each leg evenly touching the floor.



Some furniture comes with height adjustment knobs underneath each leg. To lower or to raise each leg, you need to turn clockwise or counterclockwise, respectively.



Make sure all parts are properly aligned, then use the appropriate hand tool to completely tighten the bolts or screws. Do not use power tools and do not overtighten.



Save the instructions and store the Allen wrench or any supplied tool for later maintenance. After two weeks, check and tighten any loose hardware and repeat again every six months thereafter.

IT IS THE USER'S RESPONSIBILITY TO MAINTAIN THE FURNITURE. THE HARDWARE MAY LOOSEN OVER TIME AND MAY CAUSE THE FURNITURE TO BE WOBBLY AND UNABLE TO SUPPORT ITS INTENDED WEIGHT CAPACITY. THIS MAY LEAD TO COLLAPSE AND MAY CAUSE SERIOUS INJURY.



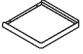






FAILURE TO FOLLOW THE GUIDELINES ABOVE MAY RESULT IN INJURY AND/OR PROPERTY DAMAGE.

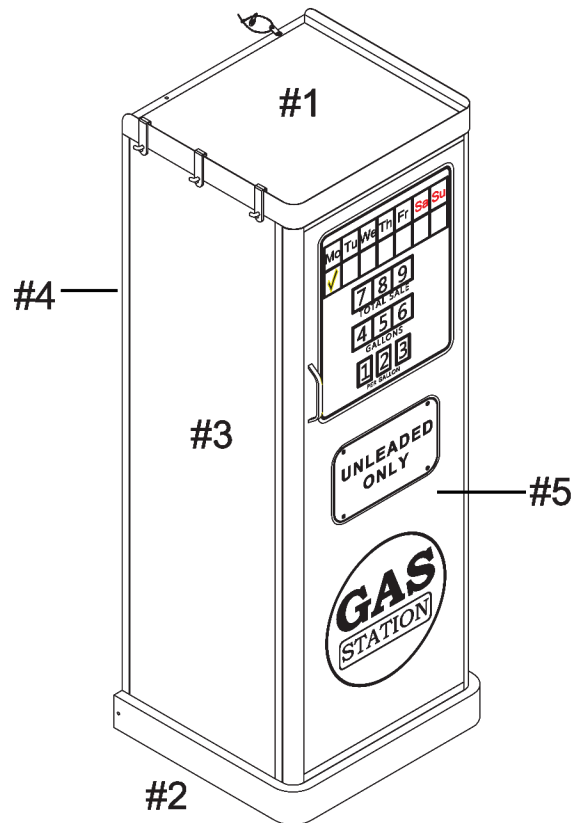


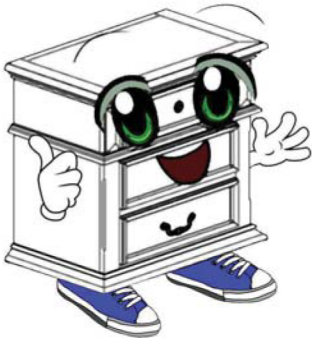
Before you begin, please read Page 2 of "Assembly and Care Advice".

And remember, do not tighten until each step is completed or instructed.

Parts List

- 
#1 x 1pc
Top Panel
- 
#2 x 1pc
Base
- 
#3 x 2pcs
Side Panel
- 
#4 x 1pc
Rear Panel
- 
#5 x 1pc
Front Door
- 
#6 x 1pc
Clothes rail
- 
#7 x 2pcs
Shelf





Before you begin, please read Page 2 of "Assembly and Care Advice".

And remember, do not tighten until each step is completed or instructed.

Hardware List



#A x 24pcs
Bolt M5 X 10



#B x 4pcs
Leveler M6x16



#C x 4pcs
Bolt 1/4" X 1-1/8"



#D x 2pcs
Bolt M4 X 5

0-9

#E x 1set
Paster 30 X 50



#F x 1pc
Allen Wrench M4



#G x 3pcs
Pothook



#H x 2pcs
Bracket



#I x 1pc
Anchor Bolt



#J x 1pc
Girding



#K x 1pc
Screw M4 X 37



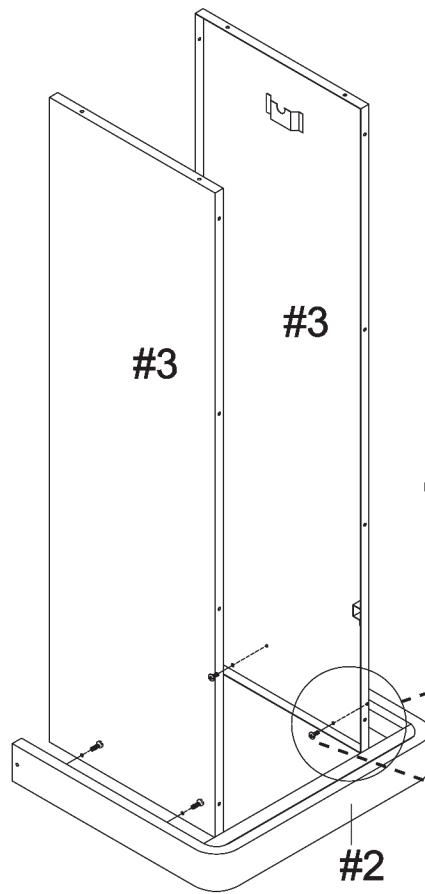
#L x 1pc
Handle



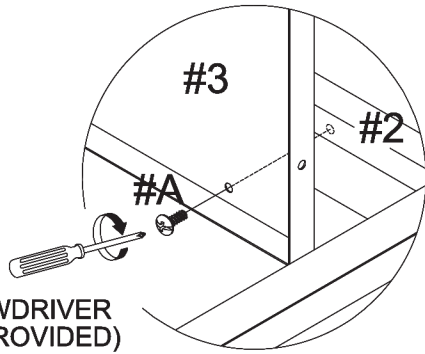
#M x 1pc
Paster 30 X 50



#N x 2pcs
Small Flat Washer



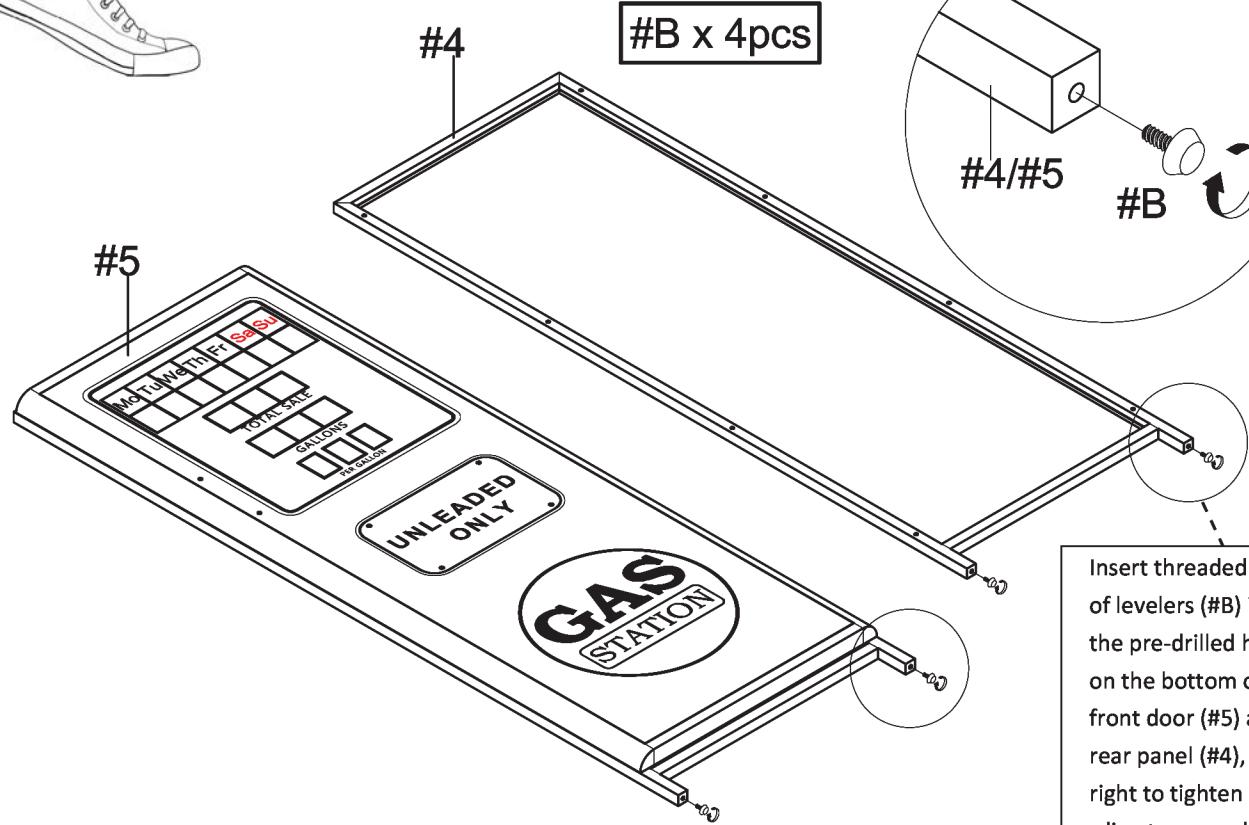
#A x 4pcs



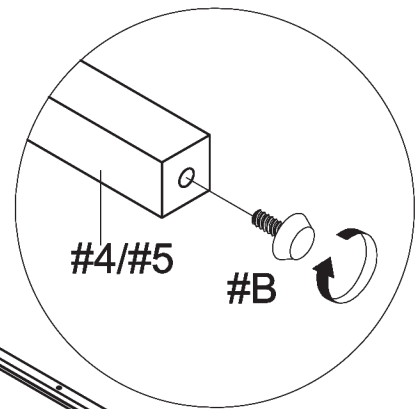
SCREWDRIVER
(NOT PROVIDED)

1. Align the bottom of the side panels (#3) to the pre-drilled holes located on the inner part of the base (#2).

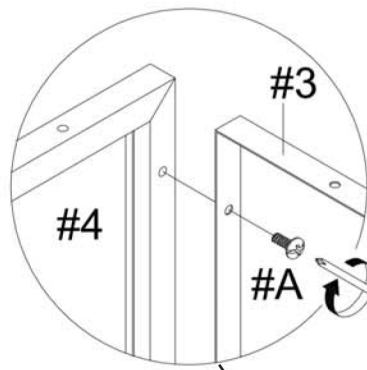
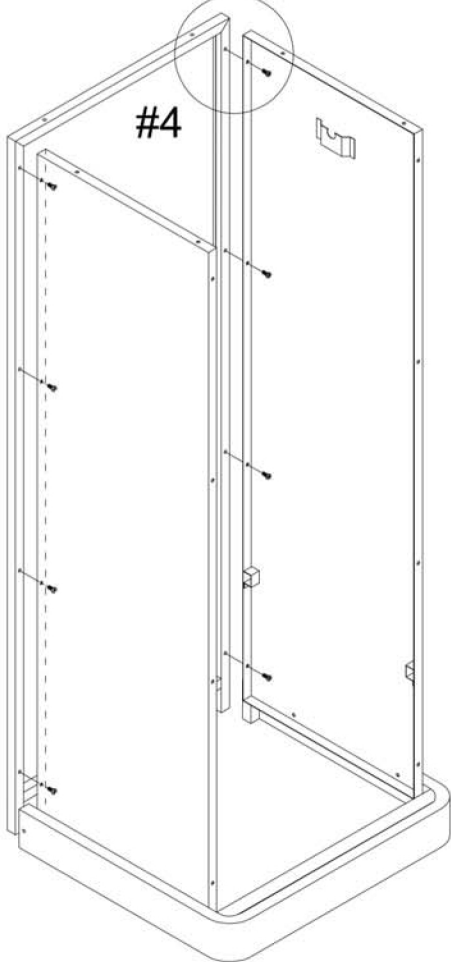
2. Insert a total of 4 bolts (#A) into the inner pre-drilled holes and secure using a Phillips screwdriver.



#B x 4pcs



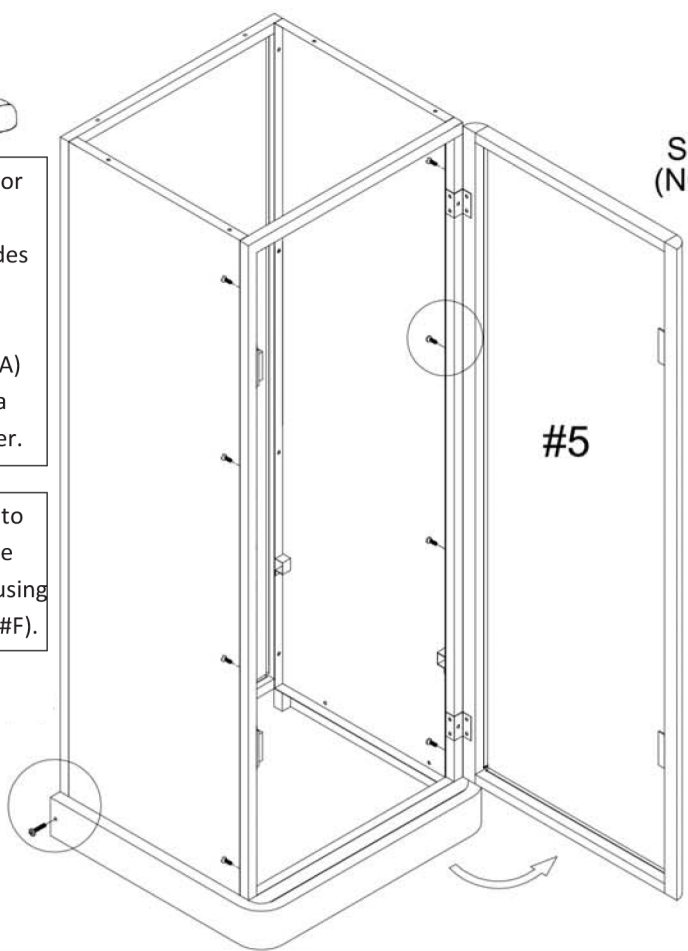
Insert threaded ends of levelers (#B) into the pre-drilled holes on the bottom of the front door (#5) and rear panel (#4), turn right to tighten according to ground level



#A x 8pcs

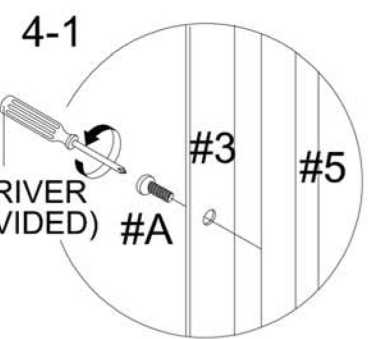
SCREWDRIVER (NOT PROVIDED)

Align the rear panel (#4) to the pre-drilled holes located along the back sides of the side panels (#3). From within, insert bolts (#A). Secure using a Phillips screwdriver.

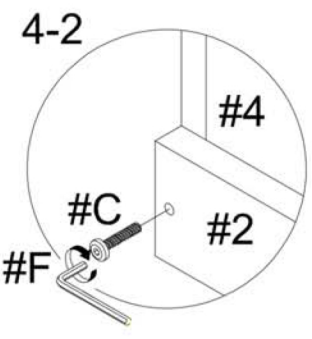


1. Align the front door (#5) to the holes along the front sides of the side panels (#3). From within, insert the bolts (#A) and secure using a Phillips screwdriver.

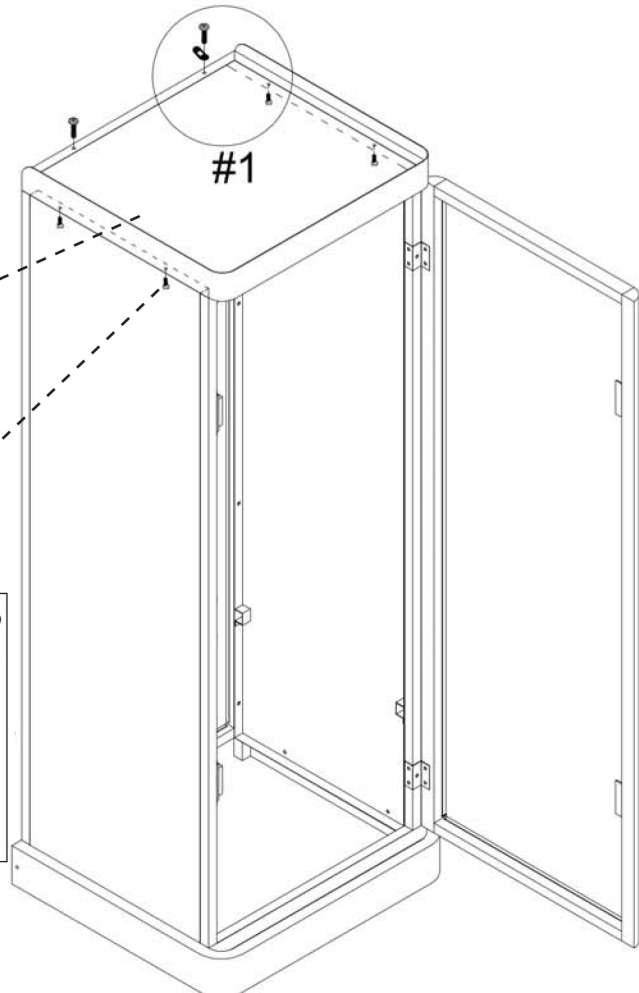
2. Insert bolts (#C) into the two ends of the base (#2). Secure using the Allen wrench (#F).



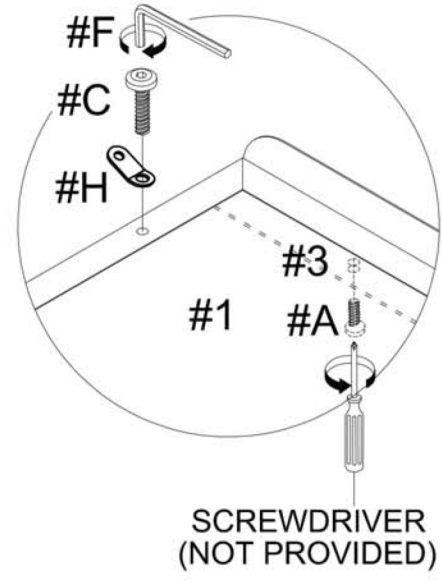
SCREWDRIVER (NOT PROVIDED)



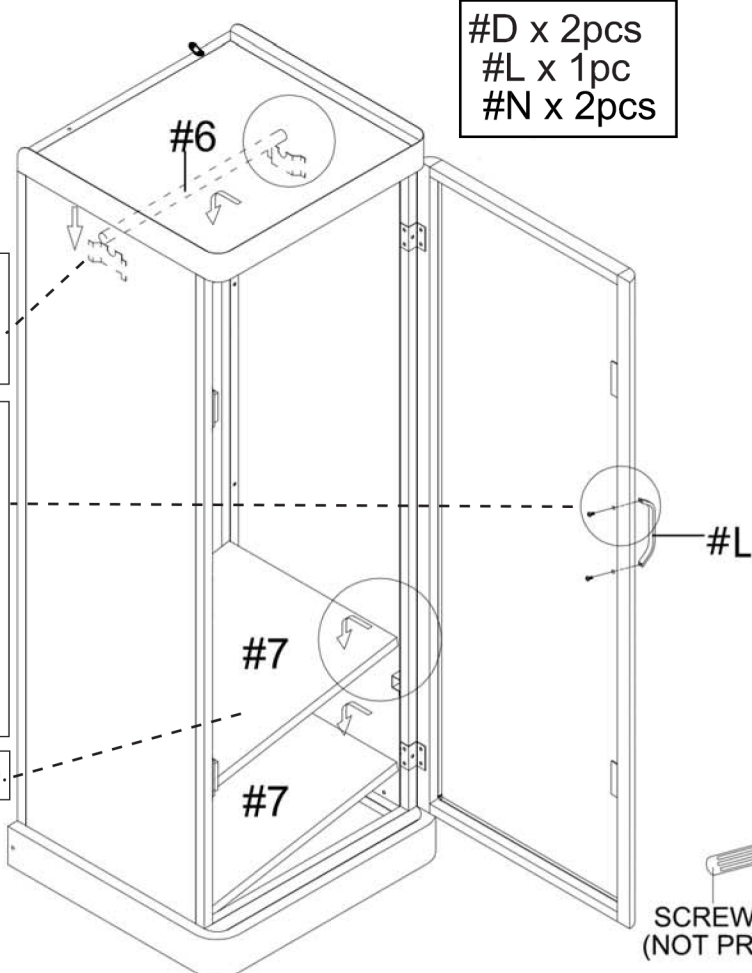
#A x 8pcs
#C x 2pcs



1. Place the top panel (#1) on top.
2. Insert a total of 4 bolts (#A) from beneath into the holes along each side of the top panel. Secure using a screwdriver.
3. Insert 2 bolts (#C) into the top holes on the rear panel. Insert a bracket (#H) onto one of those bolts and secure both with the Allen wrench (#F).

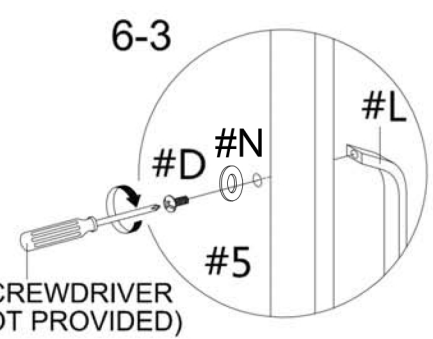
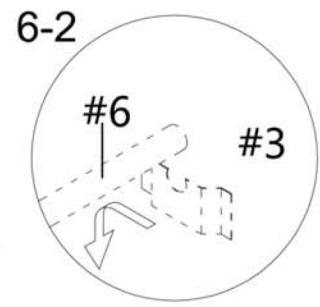
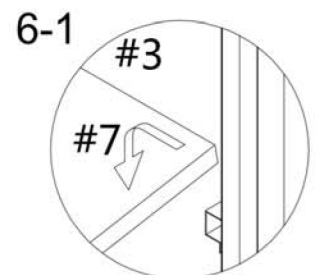


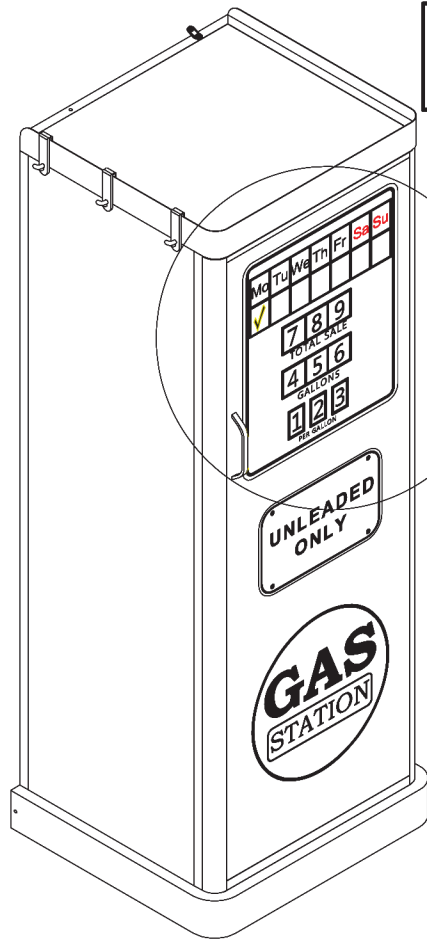
#A x 4pcs
#C x 2pcs
#H x 1pc



#D x 2pcs
#L x 1pc
#N x 2pcs

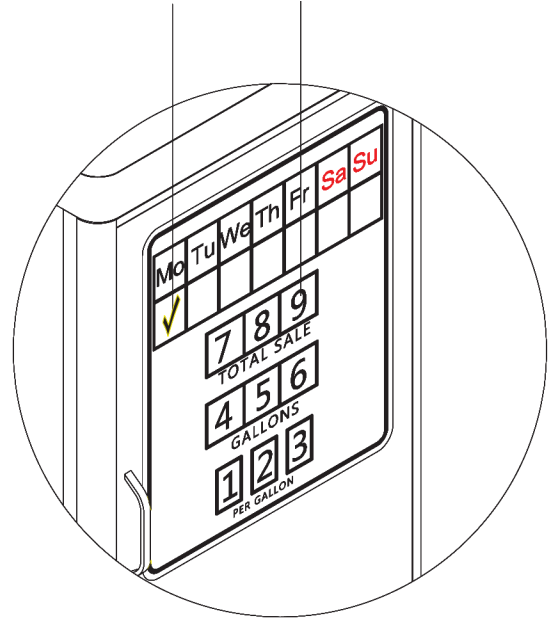
1. Place the clothes rail (#6) into the slots located inside.
2. Prepare 2 bolts by inserting a small flat washer (#N) onto the bolts (#D), then align the handle (#L) to the door. Insert a bolt assembly into each hole and secure using a screwdriver.
3. Apply the shelves (#7).





#E x 1set
#M x 1pc

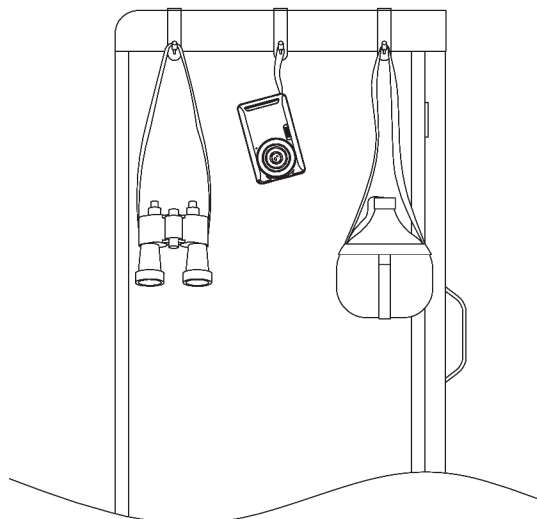
choose paste screen printing
boxes in the digital magnet.



THE PARTS ARE FOR



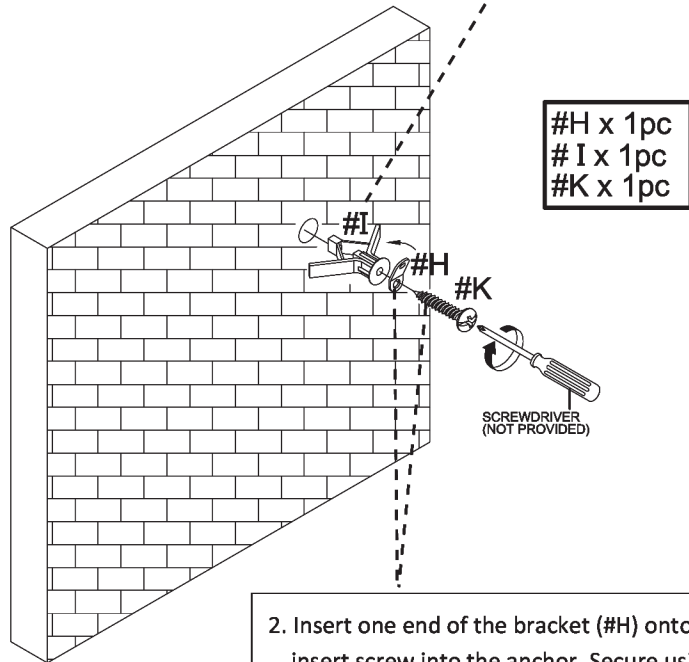
USE



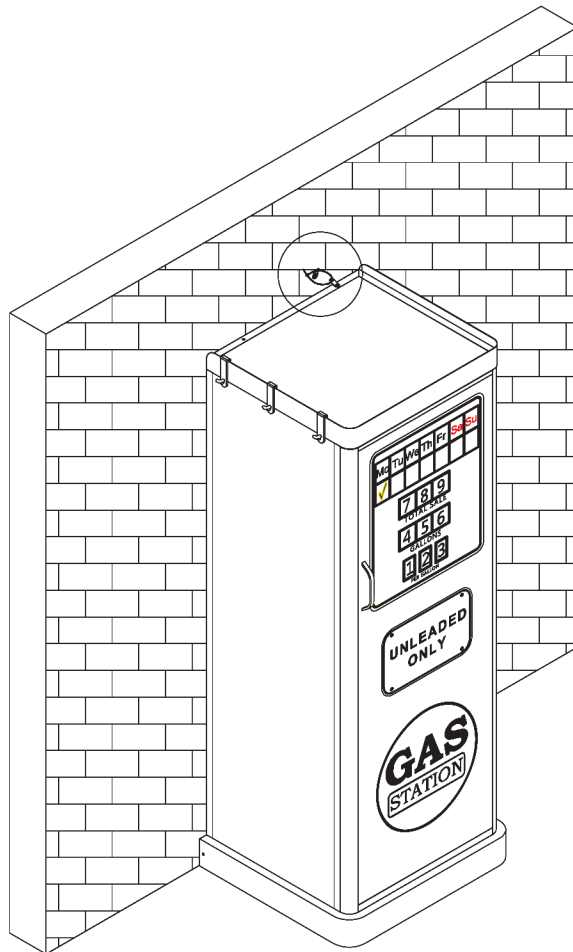
#G x 3pcs



1. Determine exactly where you want to drill a hole and mark the spot(s). Be sure that you hold the drill perpendicular to the wall so that the anchor will sit parallel. You should drill a hole that is approximately the same size as the anchor bolt (#I) itself. Insert anchor.

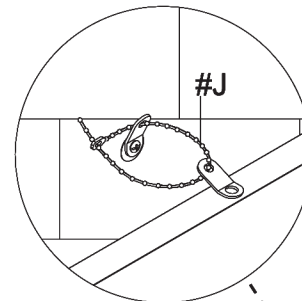


2. Insert one end of the bracket (#H) onto the screw (#K) then insert screw into the anchor. Secure using a Phillips screwdriver.



#J x 1pc

To Prevent Tip over
Product Must Be
Attached To Wall



Use girding (#J) to attach the
bracket on the wall and the
bracket on the rear panel.

ASSEMBLY IS COMPLETED