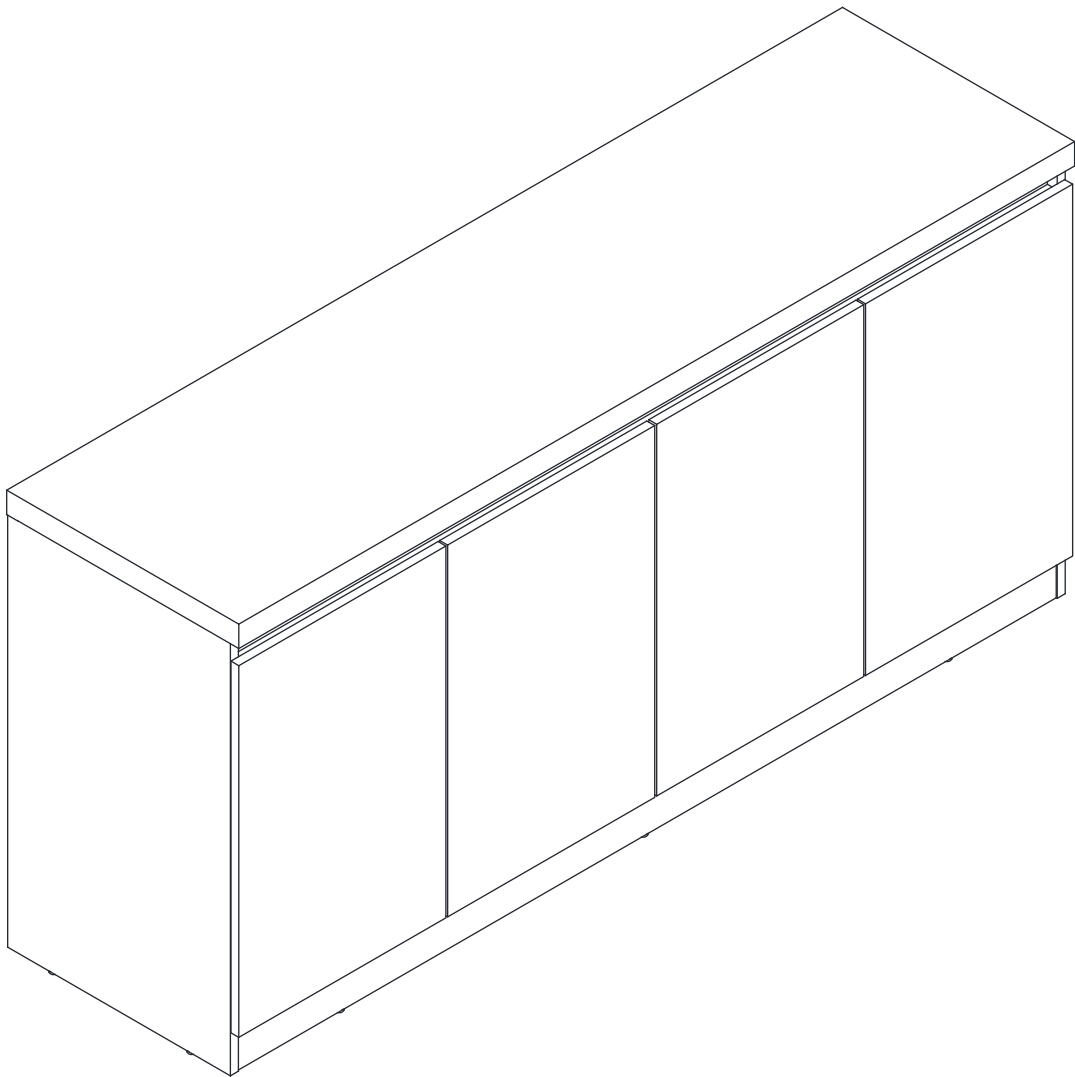


Installation & Assembly



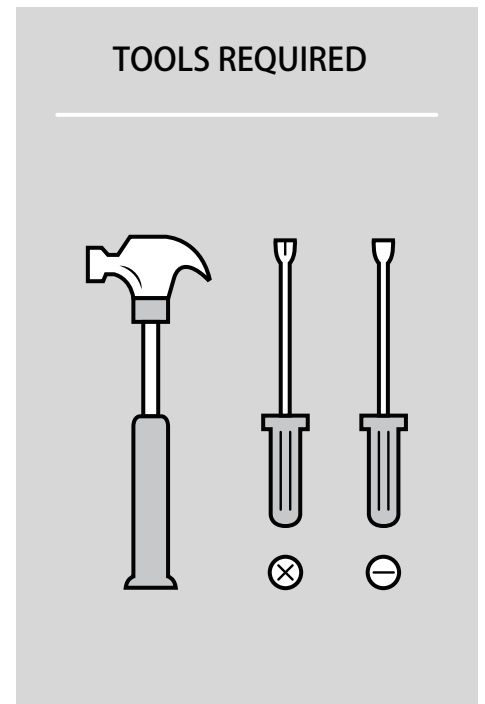
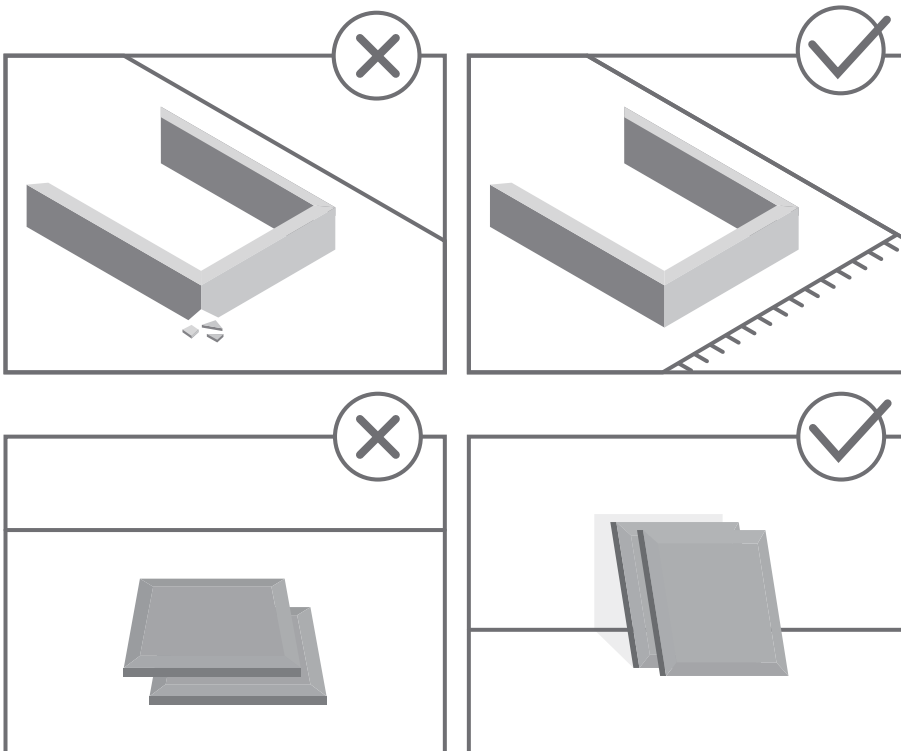


STOP!

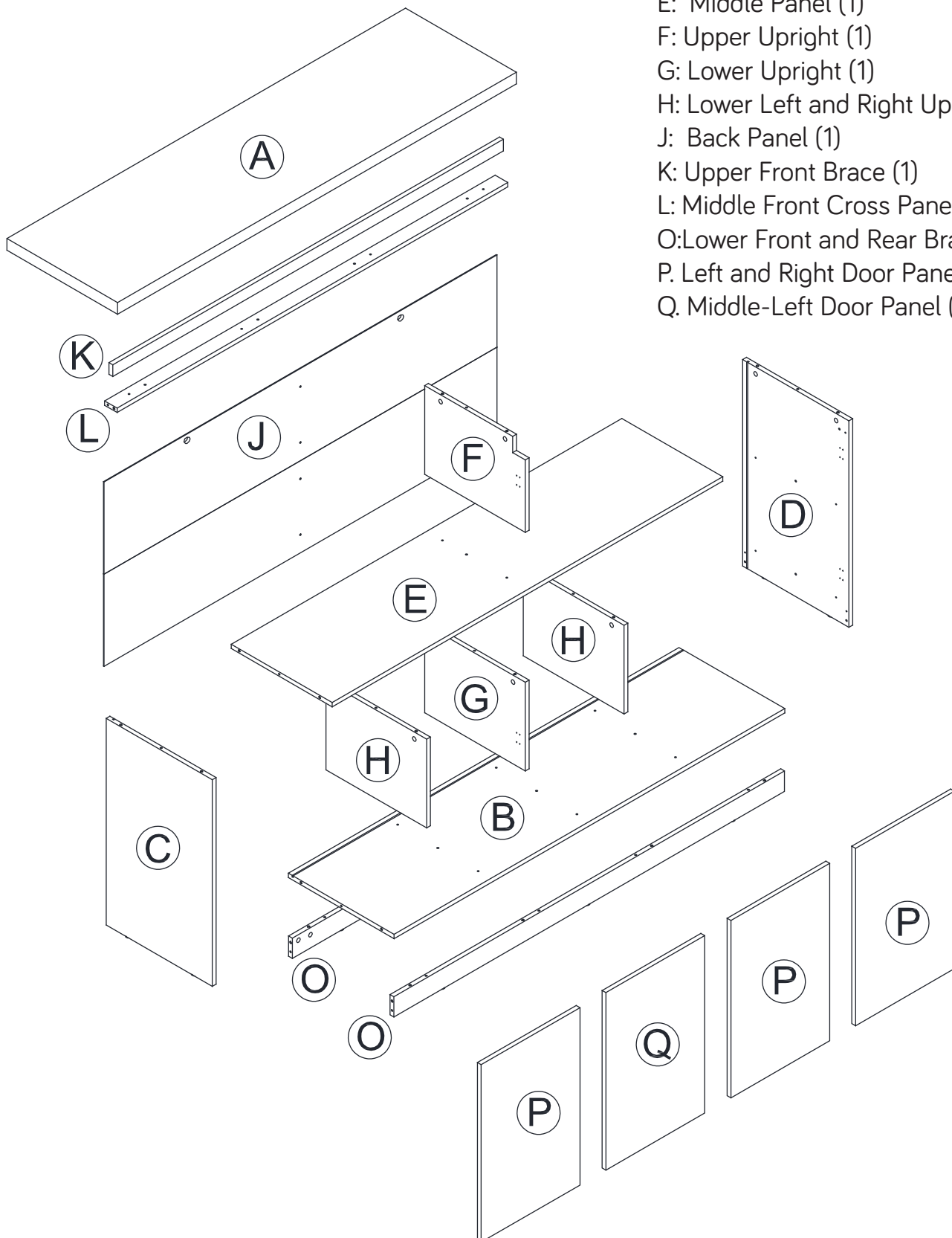
Before beginning the assembly process, ensure all boxes and parts have been delivered.

FOR BEST RESULTS:

- Do not throw away packaging materials until assembly is complete.
- Assemble item on a soft surface, such as cardboard or carpet, to protect finish.
- Proper assembly requires two people.



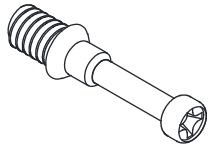
Included in this package:



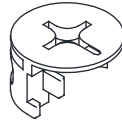
- A: Top Panel (1)
- B: Bottom Panel (1)
- C: Left Side Panel (1)
- D: Right Side Panel (1)
- E: Middle Panel (1)
- F: Upper Upright (1)
- G: Lower Upright (1)
- H: Lower Left and Right Upright (2)
- J: Back Panel (1)
- K: Upper Front Brace (1)
- L: Middle Front Cross Panel (1)
- O: Lower Front and Rear Braces (2)
- P: Left and Right Door Panels (3)
- Q: Middle-Left Door Panel (1)

Hardware Identification

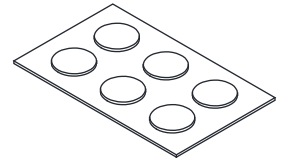
① CAM SCREW - 34pcs



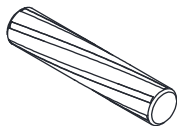
② HIDDEN CAM - 34pcs



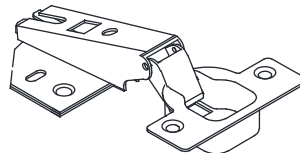
③ APPLIQUE CARD - 6pcs



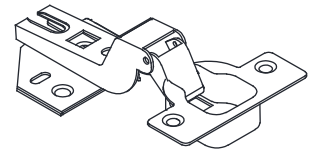
④ WOOD DOWEL - 32pcs



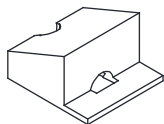
⑤ HINGE - 4pcs



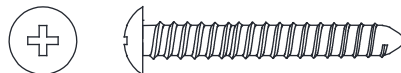
⑥ HINGE - 4pcs



⑦ CLIP - 12pcs



⑧ PAN HEAD SCREW
M5*35mm - 12PCS



⑨ PAN HEAD SCREW
M4*12mm - 4PCS



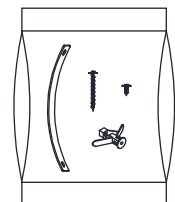
⑩ FLAT HEAD SCREW
M4*12mm - 48pcs

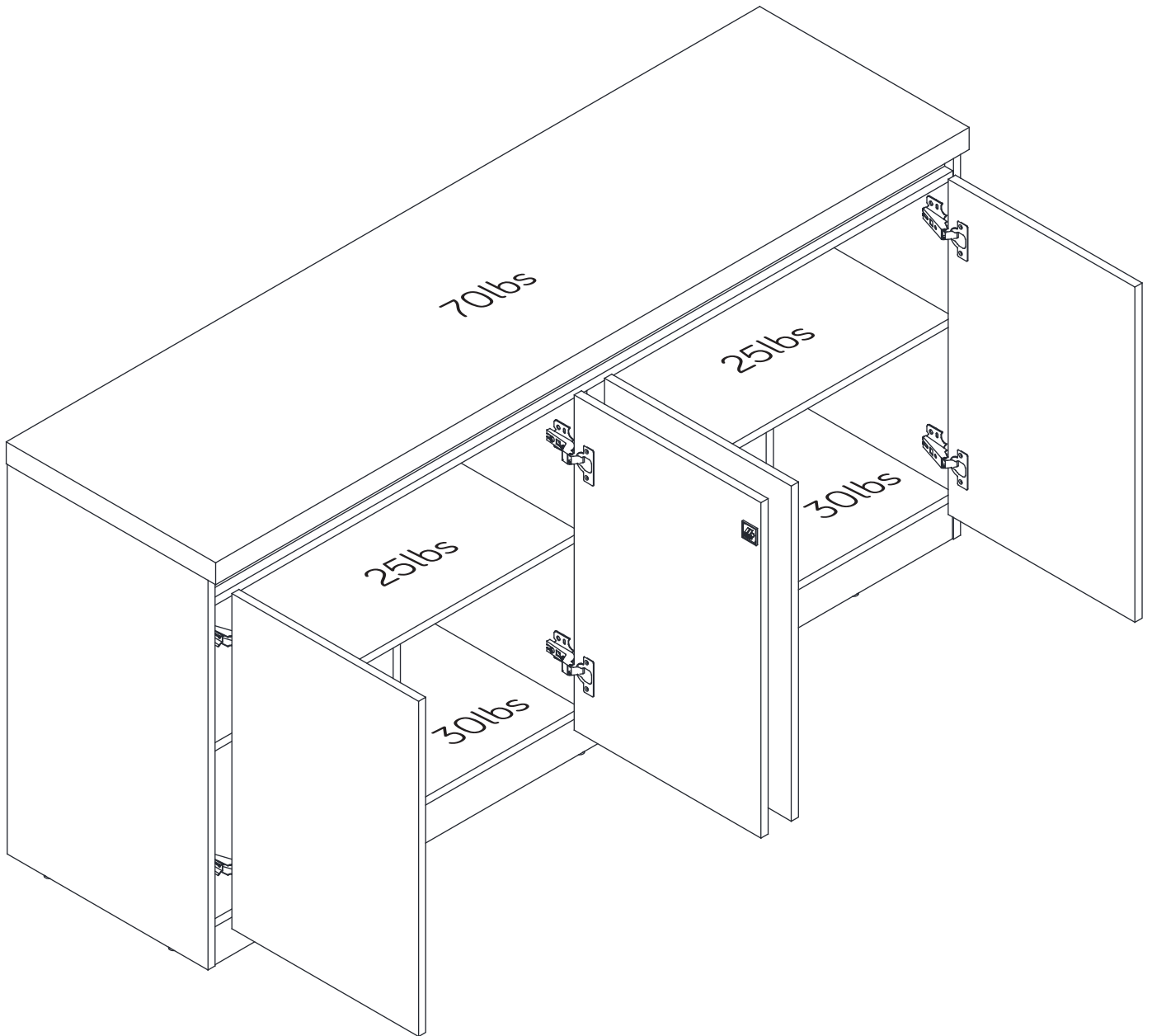


⑪ FLAT HEAD SCREW
M3*16mm - 12pcs



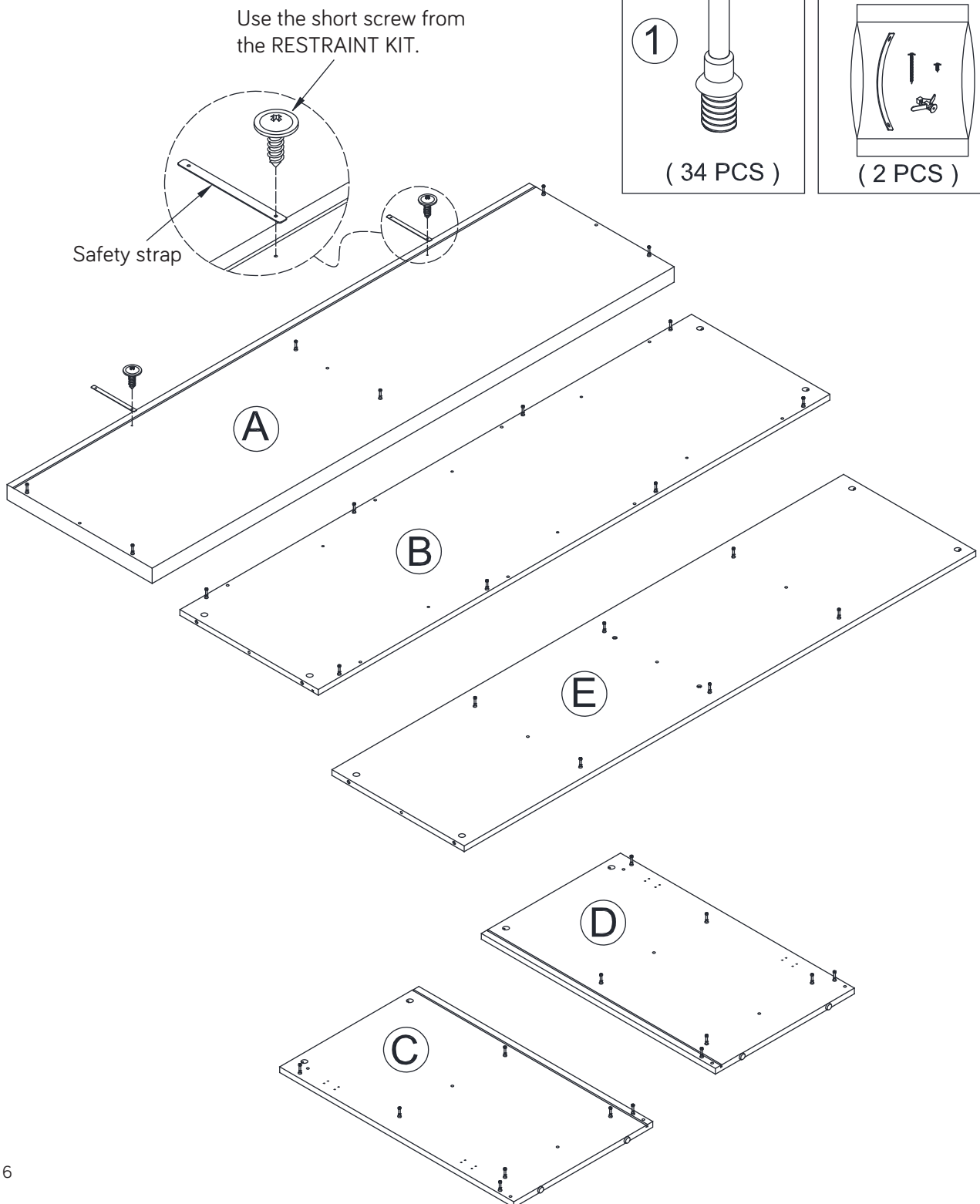
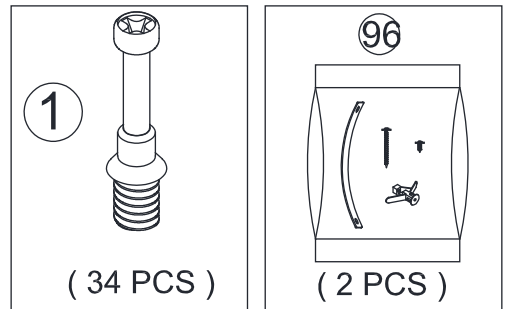
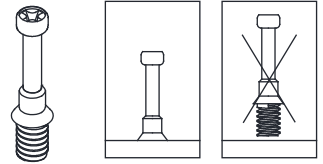
⑨6 FURNITURE TIPPING
RESTRAINI KIT - 2pcs





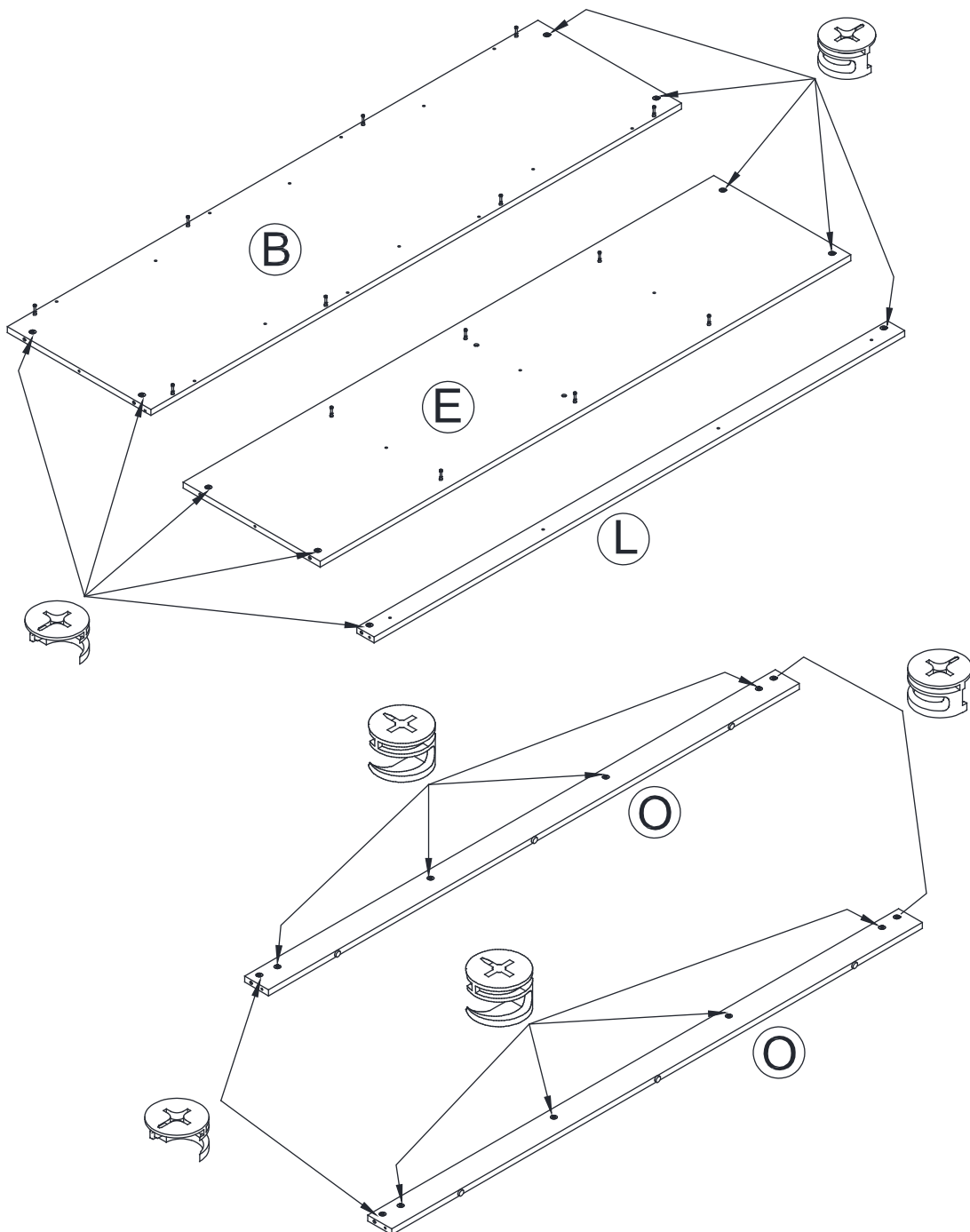
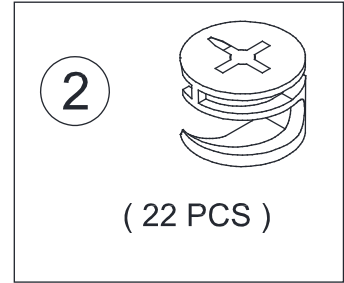
Step 1

- ◆ Screw thirty-four pieces CAM SCREW (1) into the Top Panel (A), the Bottom Panel (B), the Middle Panel (E), and the Left and Right Side Panels (C and D).
- ◆ Open the FURNITURE TIPPING RESTRAINT KIT (96) and fasten the SAFETY STRAP to the Top Panel (A). Use the provided short screw from the KIT.



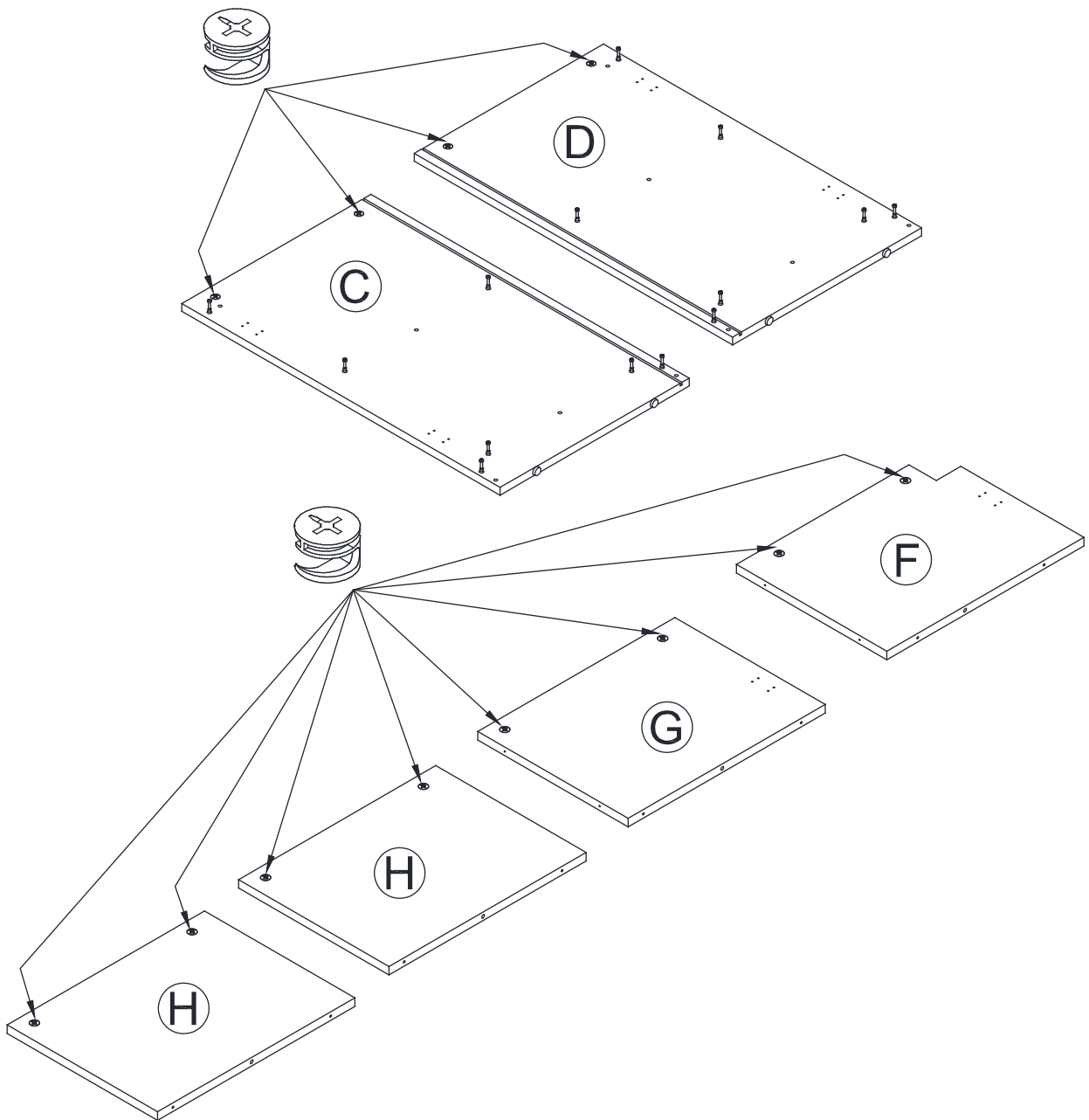
Step 2

- ◆ Attach twenty-two pieces HIDDEN CAM (2) to the Bottom Panel (B), the Middle Panel (E), the Middle Front Cross Panel (L), and the Lower Front and Rear Braces (O).



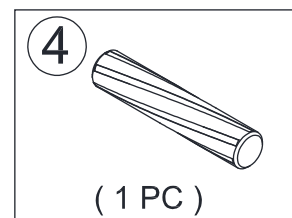
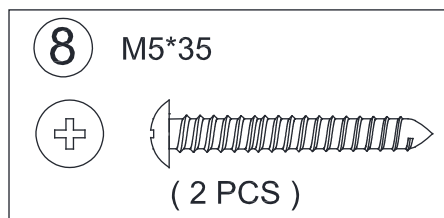
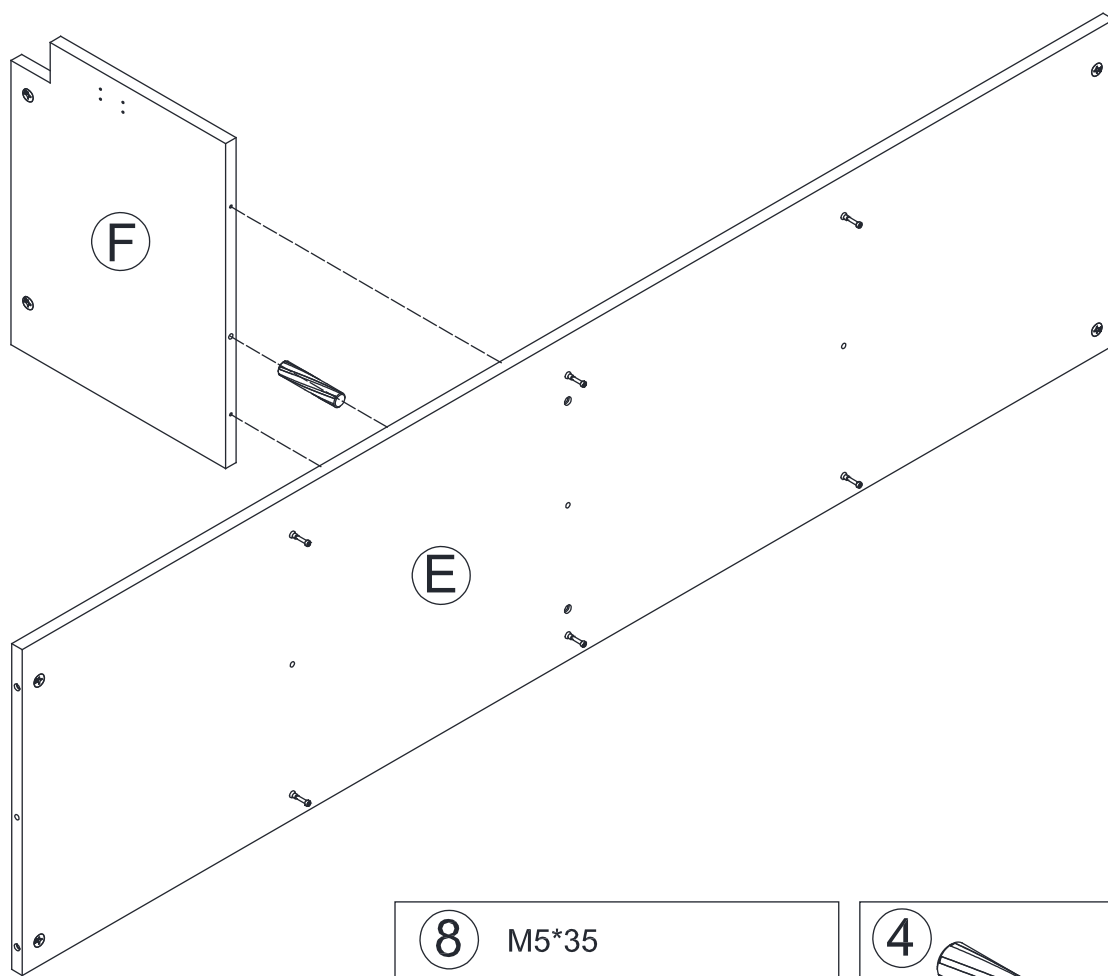
Step 3

- ◆ Attach twelve pieces HIDDEN CAM (2) into the Left and Right Side Panels (C, D), as well as the Upper and Lower Middle Upright Panels (F, G, H).



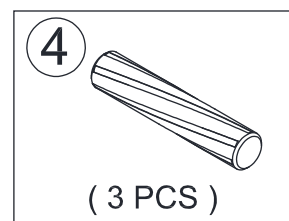
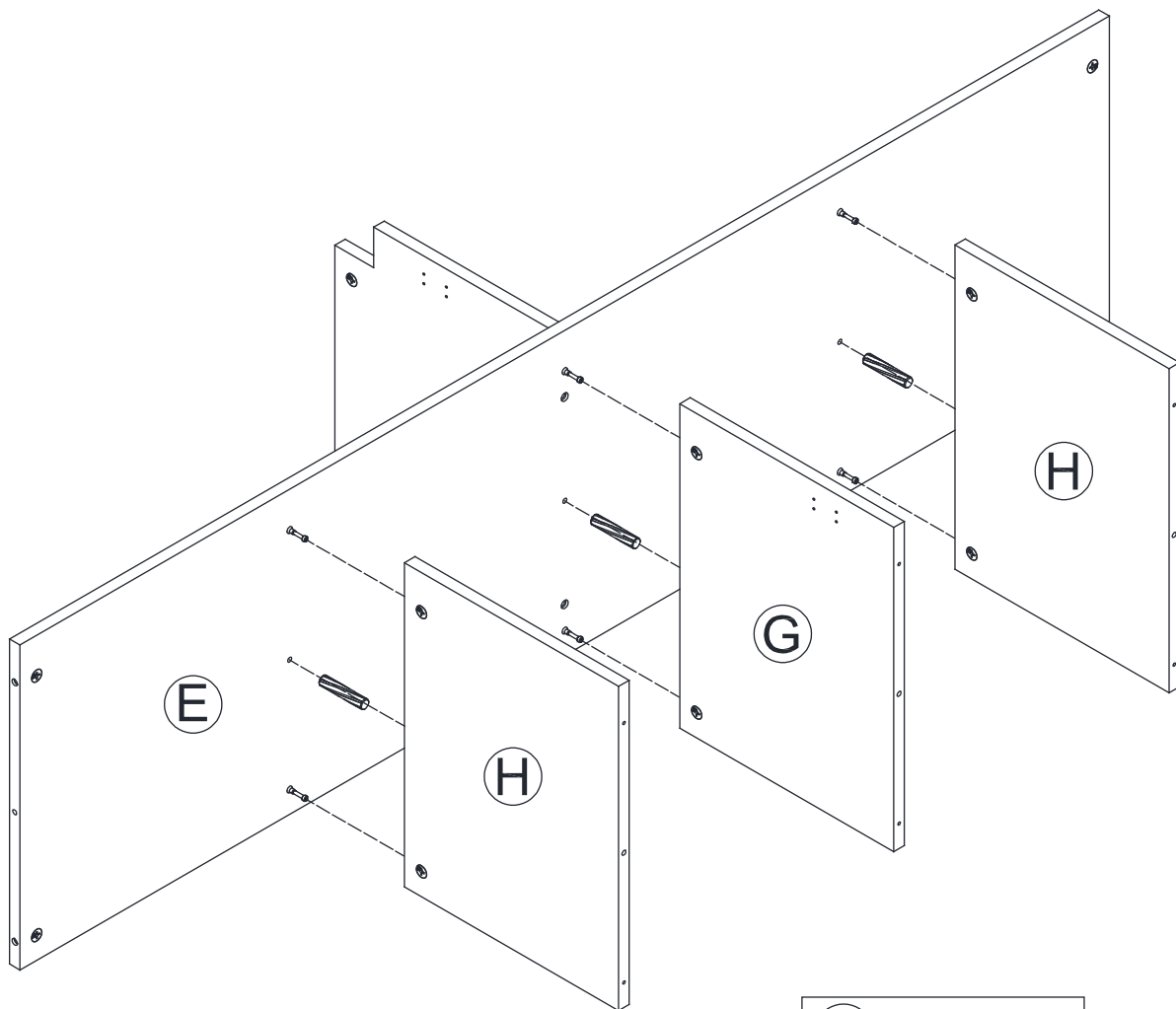
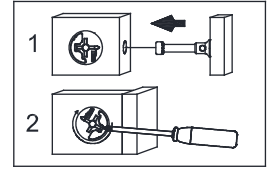
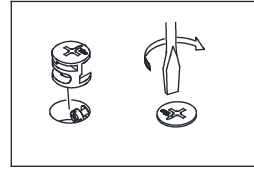
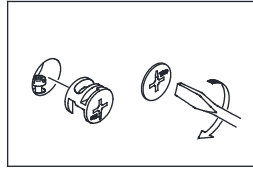
Step 4

- ◆ Use two pieces PAN HEAD SCREW (8) and one WOOD DOWEL (4) to fix the Upper Upright (F) onto the Middle Panel (E).



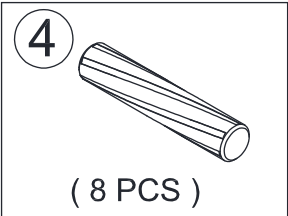
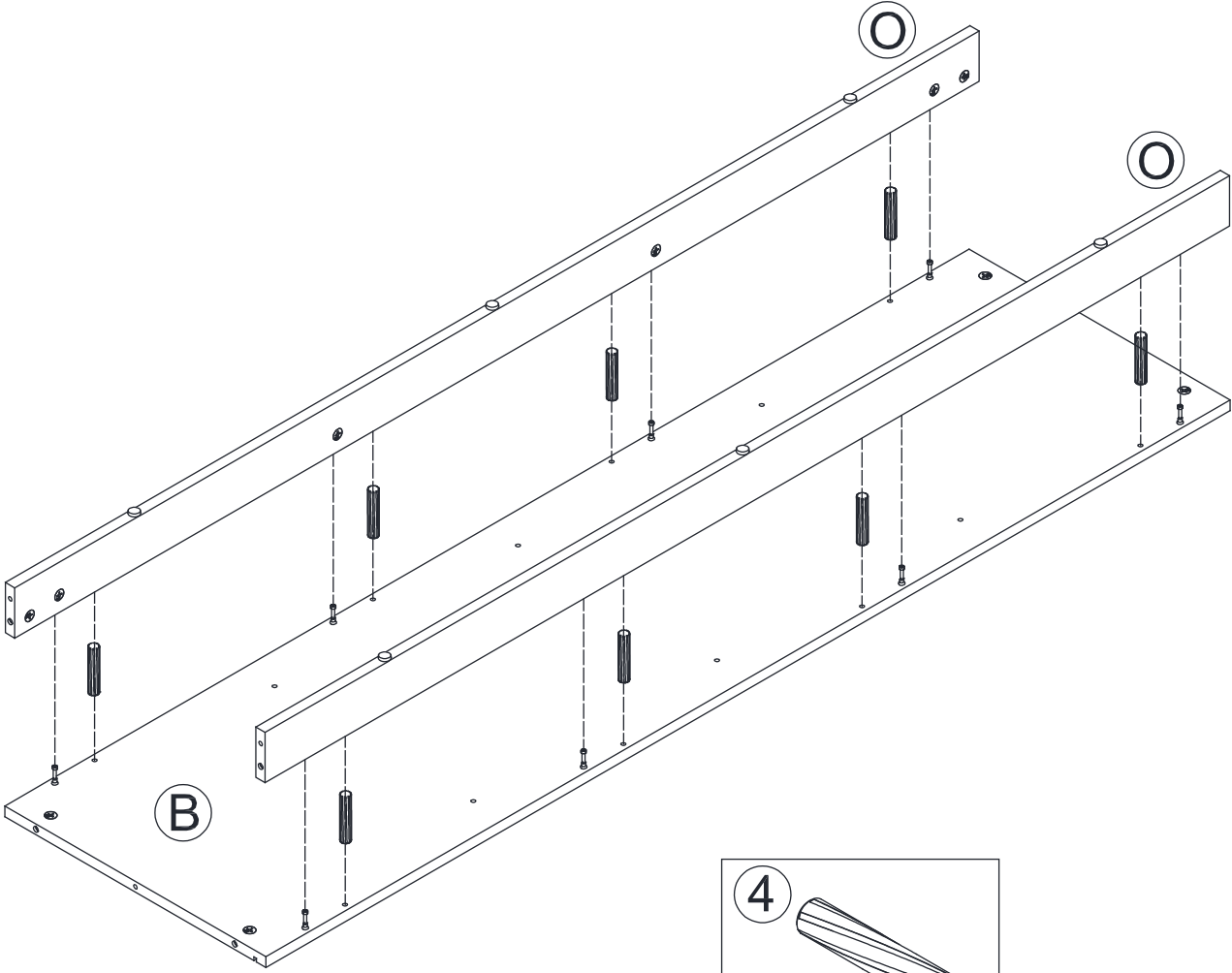
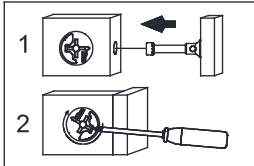
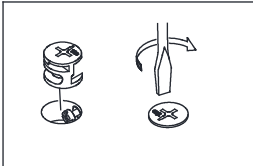
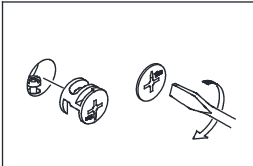
Step 5

- ◆ Insert three pieces WOOD DOWEL (4) to the Lower Upright Panels (G, H) onto the Middle Panel (E) and fasten the HIDDEN CAM (2).



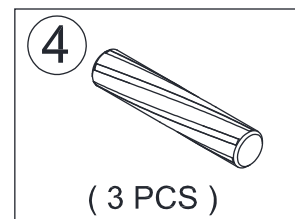
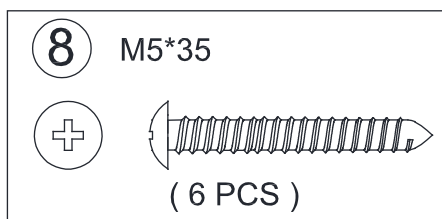
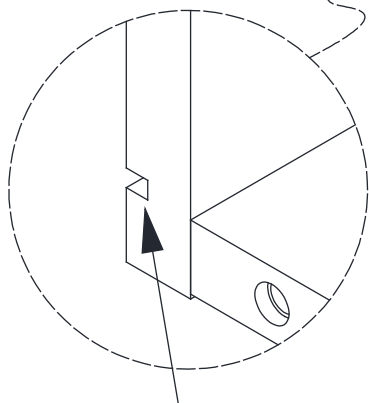
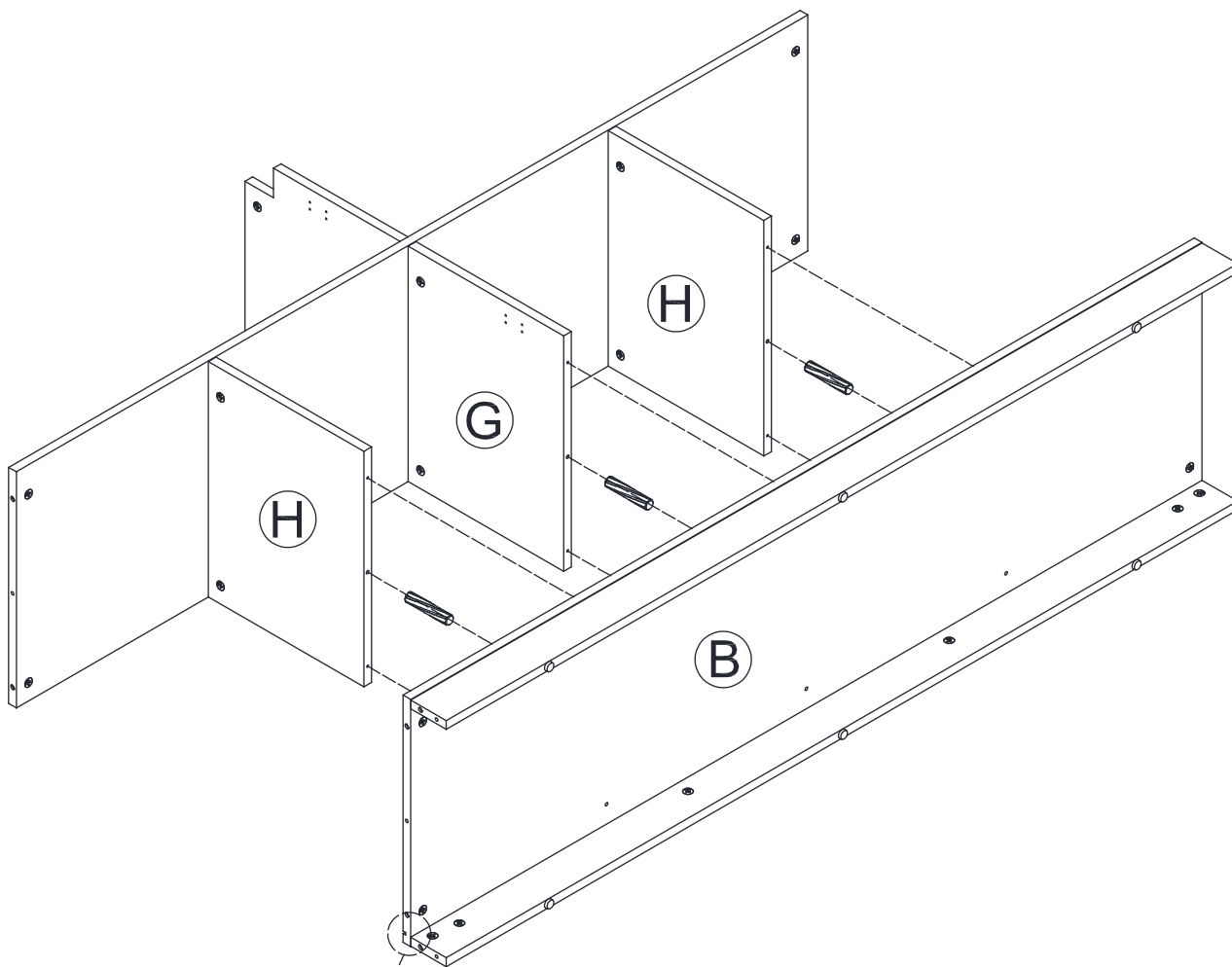
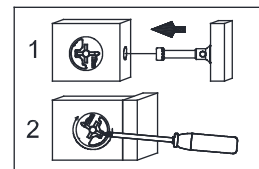
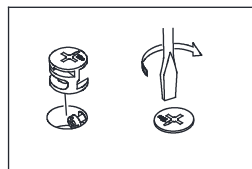
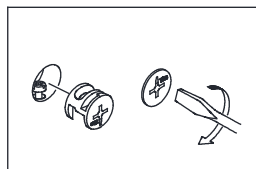
Step 6

- ◆ Insert eight pieces WOOD DOWEL (4) to fix the Lower Front and Rear Braces (O) onto the Bottom Panel (B) and fasten the HIDDEN CAM (2).



Step 7

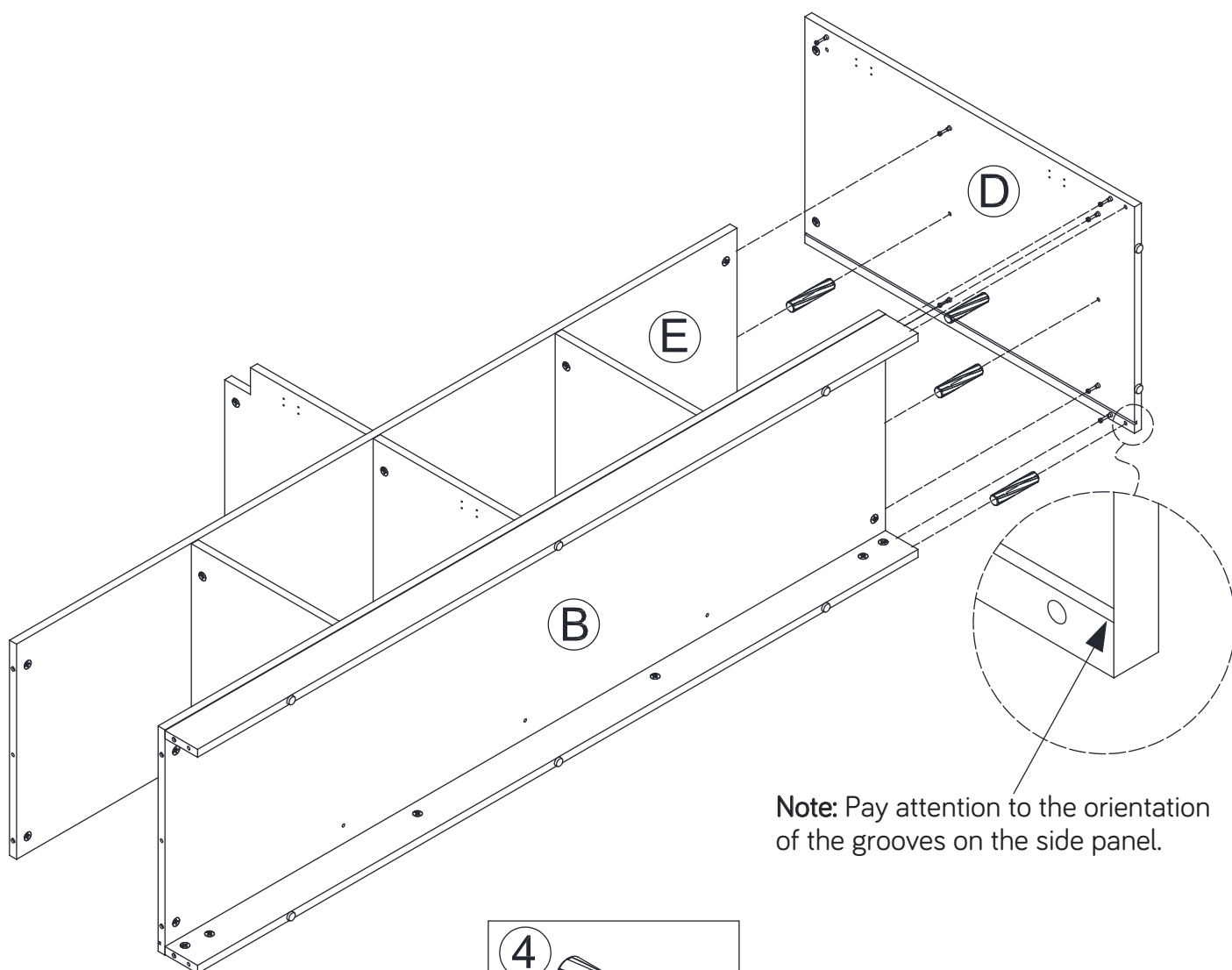
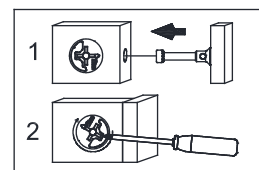
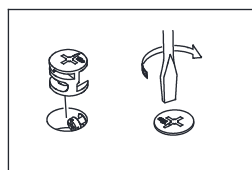
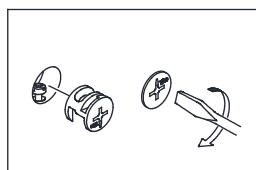
- ◆ Attach the Lower Upright Panels (G, H) to the Bottom Panel (B) by using three pieces WOOD DOWEL (4) and six pieces PAN HEAD SCREW (8).



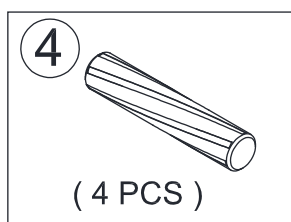
Note: Pay attention to the orientation of the grooves on the Bottom Panel.

Step 8

- ◆ Use 4 pieces WOOD DOWEL (4) to attach the Right Side Panel (D) to the Bottom Panel (B) and Middle Panel (E), then fasten the HIDDEN CAM (2).

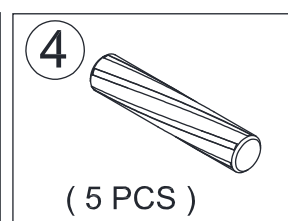
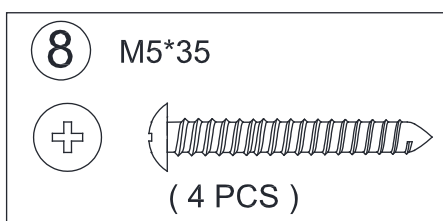
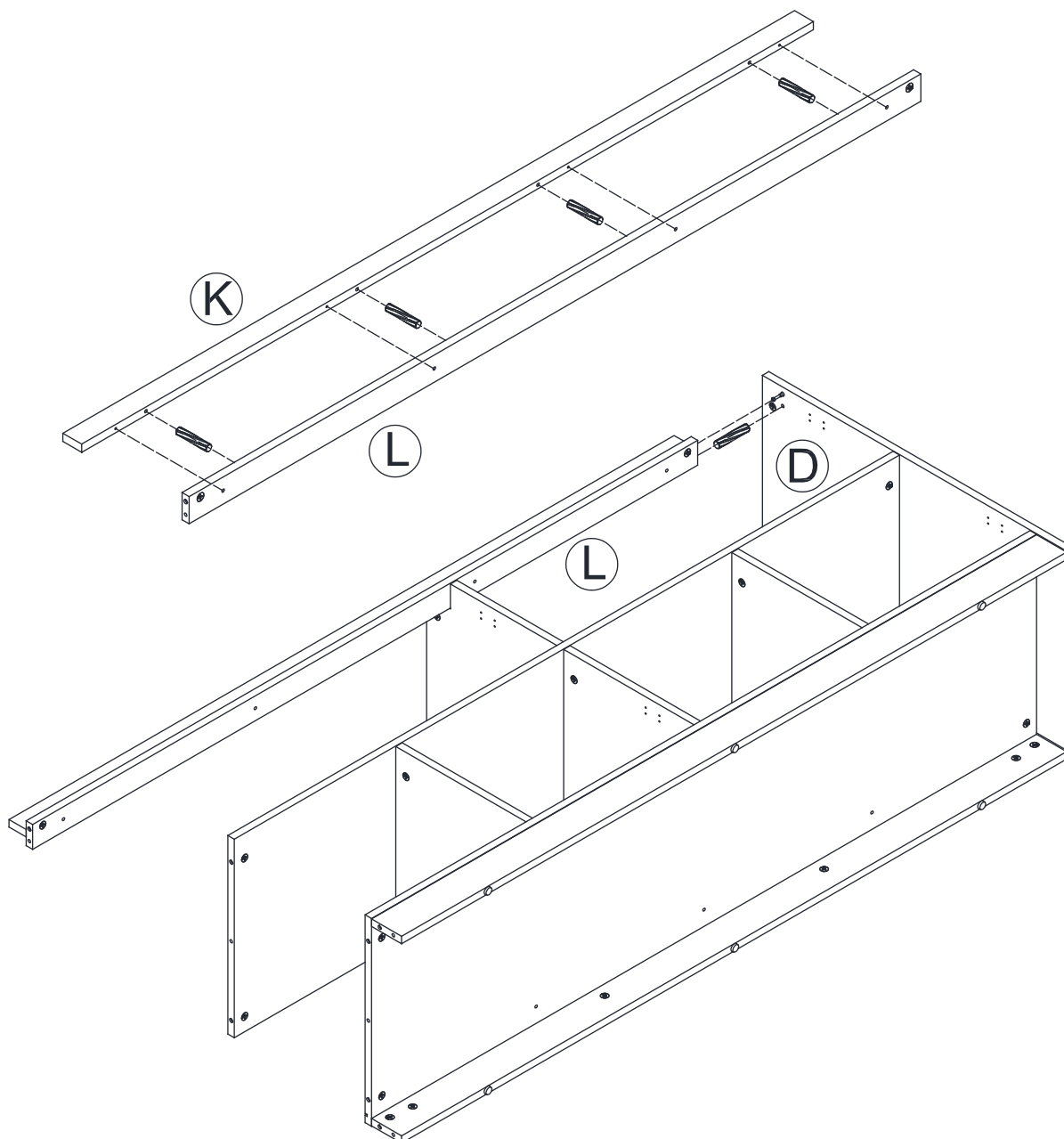
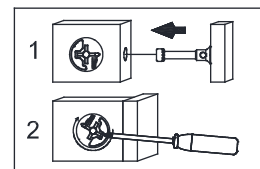
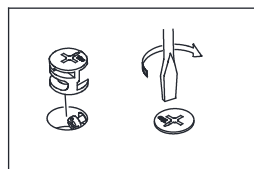
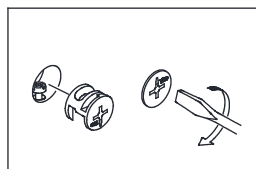


Note: Pay attention to the orientation of the grooves on the side panel.



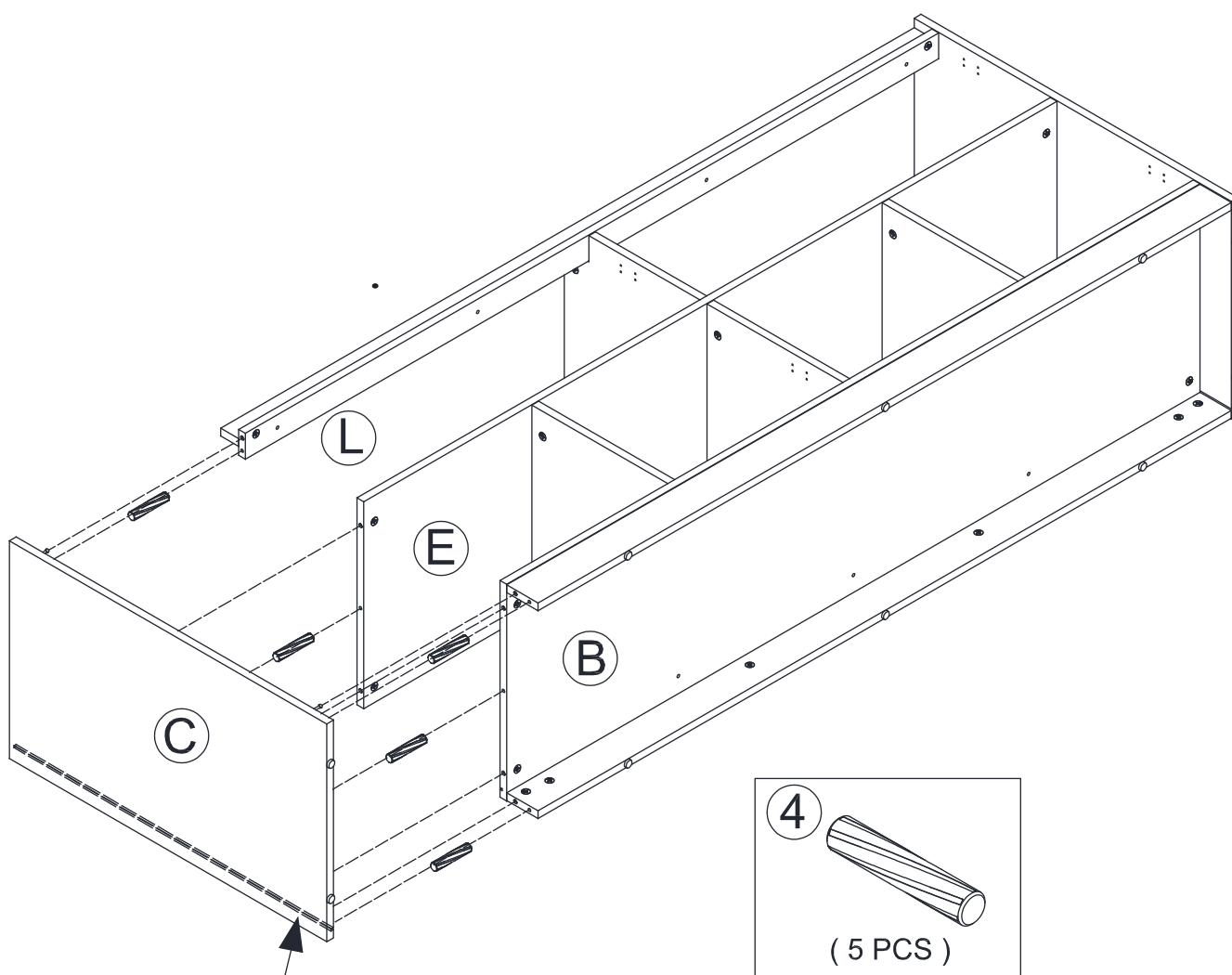
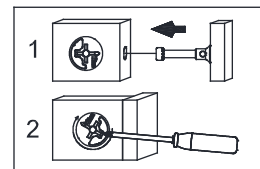
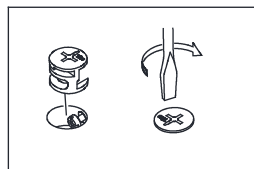
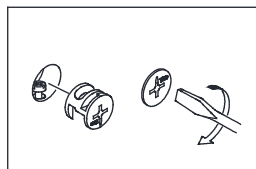
Step 9

- ◆ 1. Attach the Upper Front Brace (K) to the Middle Front Cross Panel (L) by using five pieces WOOD DOWEL (4) and four pieces PAN HEAD SCREW (8).
- ◆ 2. Attach the Upper Front Brace (K) and the Middle Front Cross Panel (L) to the Right Side Panel (D) by using one piece WOOD DOWEL (4) and fasten the HIDDEN CAM (2).



Step 10

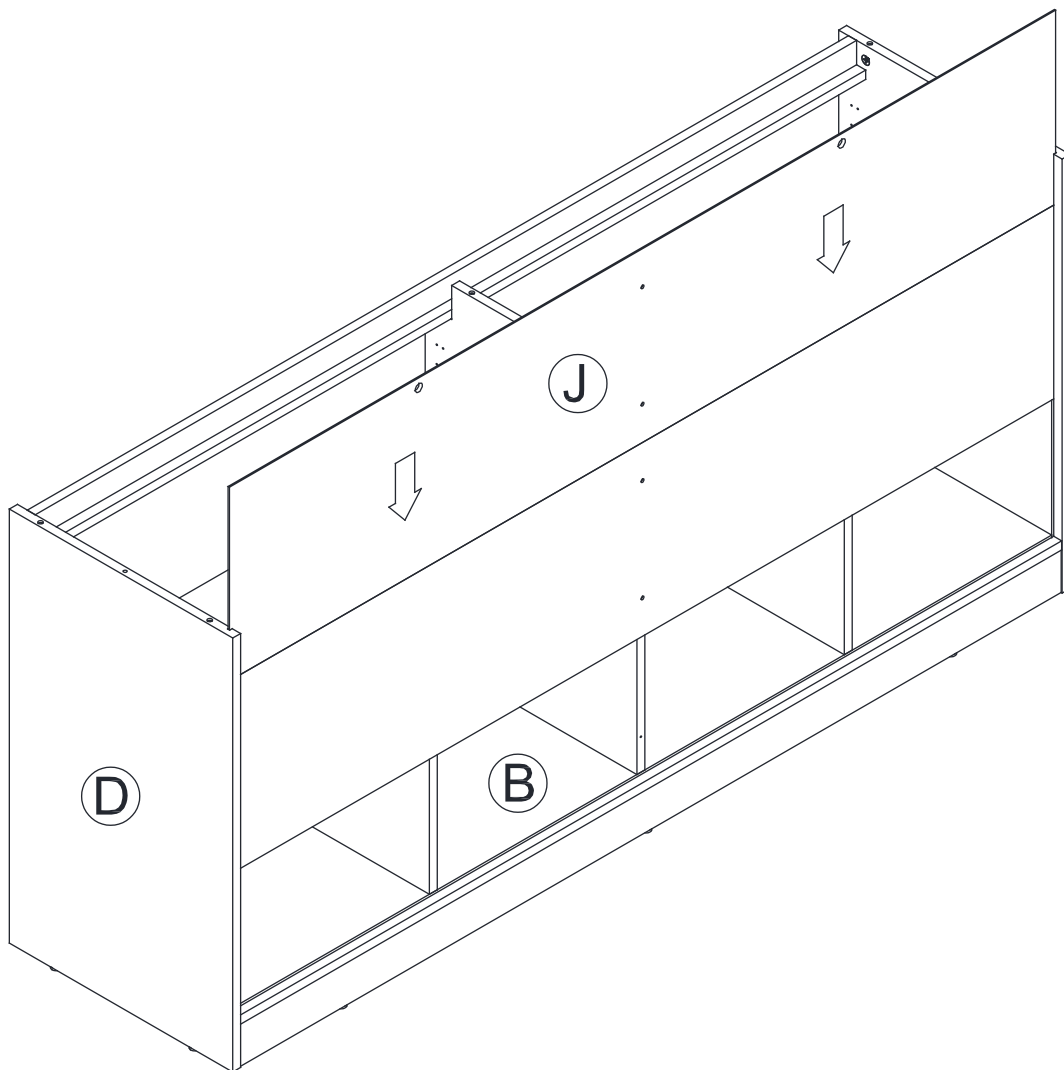
- ◆ Attach the Left Side Panel (C) to the Bottom Panel (B), the Middle Panel (E), and the Middle Front Cross Panel (L) by using five pieces WOOD DOWEL (4) and fasten the HIDDEN CAM (2).



Note: Pay attention to the orientation of the grooves on the side panel.

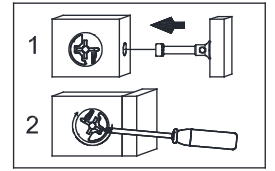
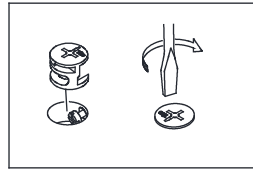
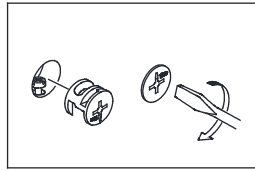
Step 11

- ◆ Insert the Back Panel (J) into the grooves of the Left and Right Side Panels (C, D) and the Bottom Panel (B).

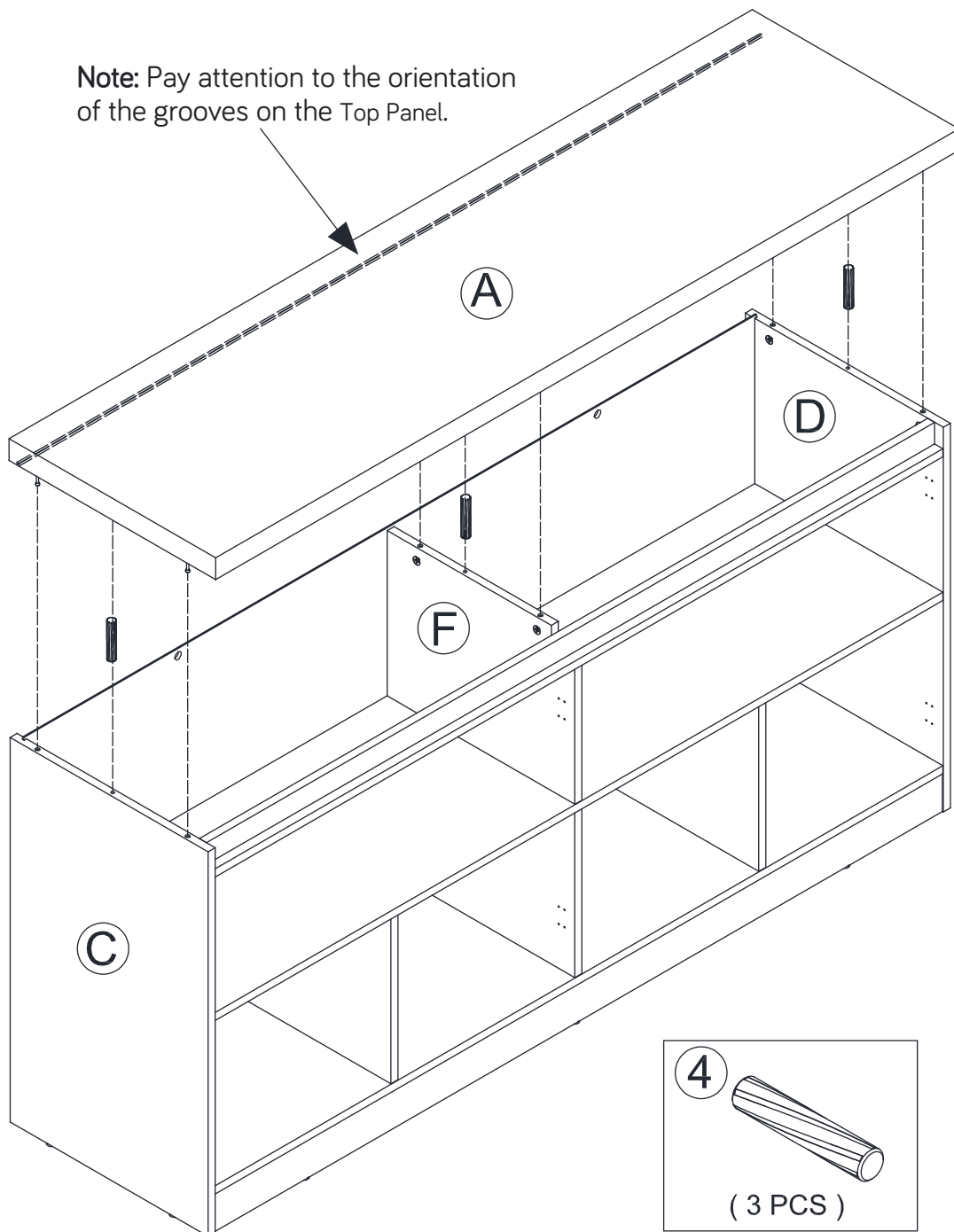


Step 12

- ◆ Insert three pieces WOOD DOWEL (4) to secure the Top Panel (A) onto the Left and Right Side Panels (C, D) and the Upper Upright (F), then fasten the HIDDEN CAM (2).

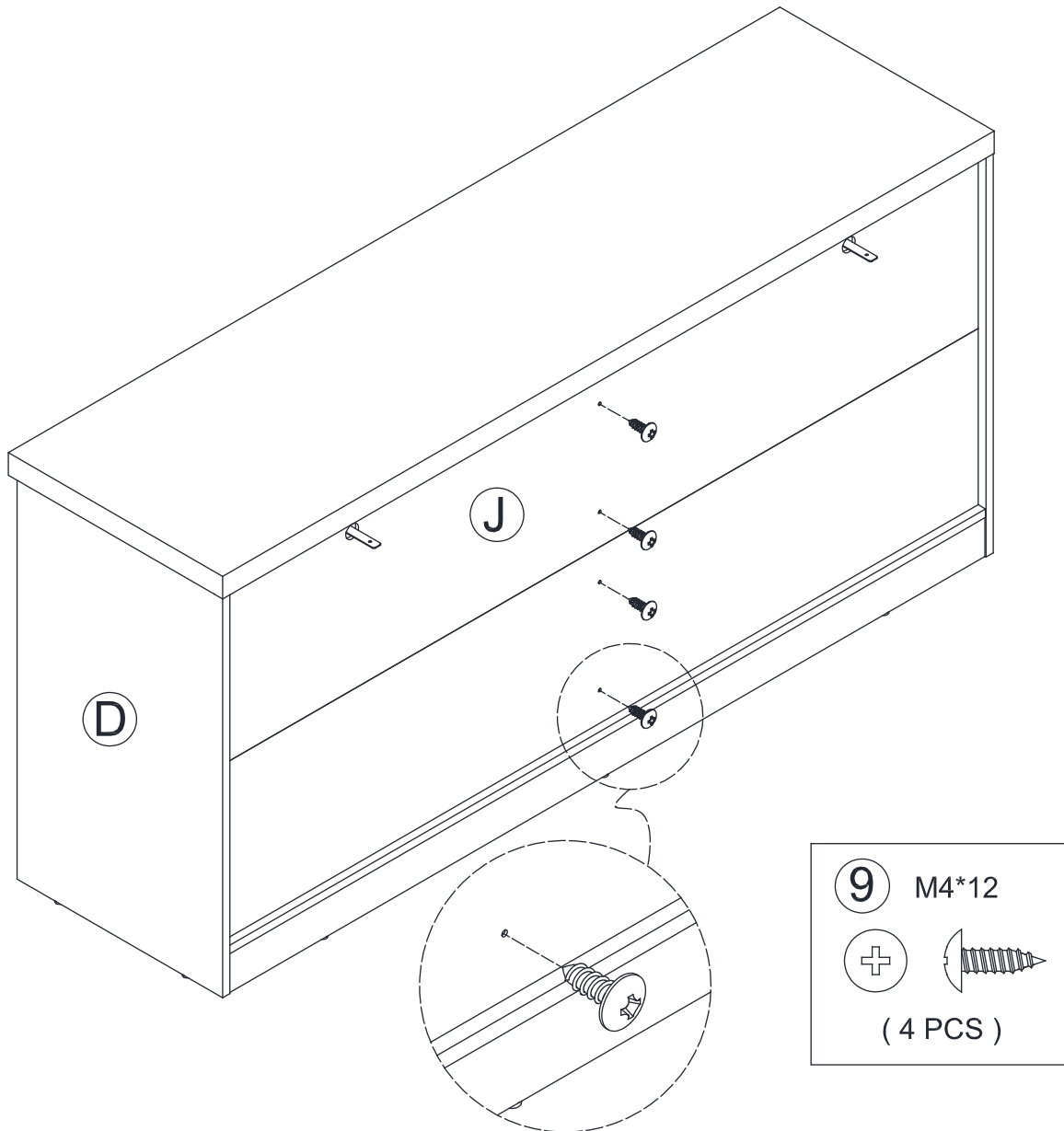


Note: Pay attention to the orientation of the grooves on the Top Panel.



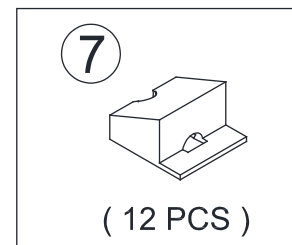
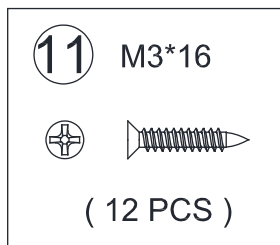
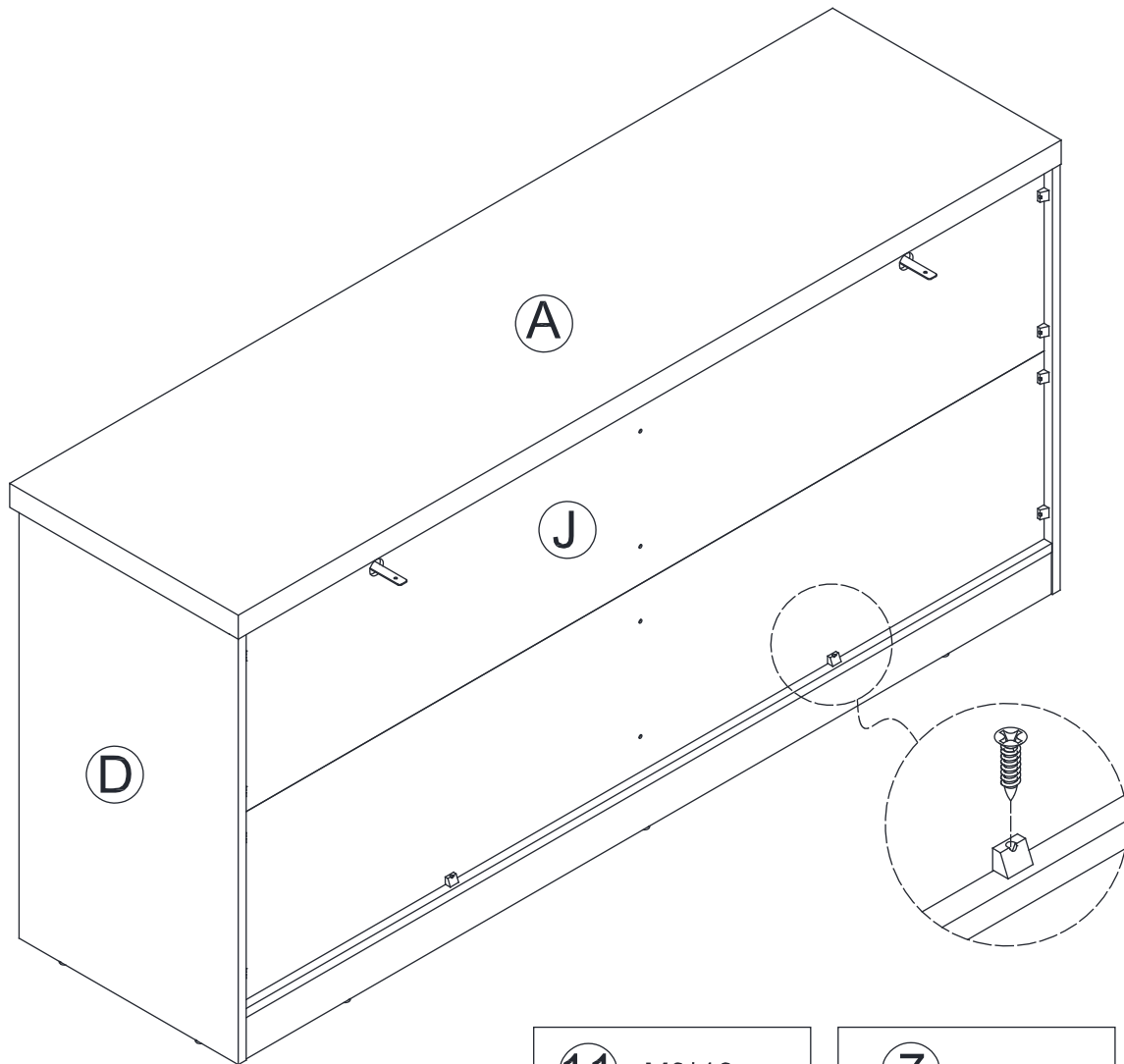
Step 13

- ◆ Use four pieces of the PAN HEAD SCREW (9) to fix the Back Panel (J) to the Upper and Lower Uprights (F, G).



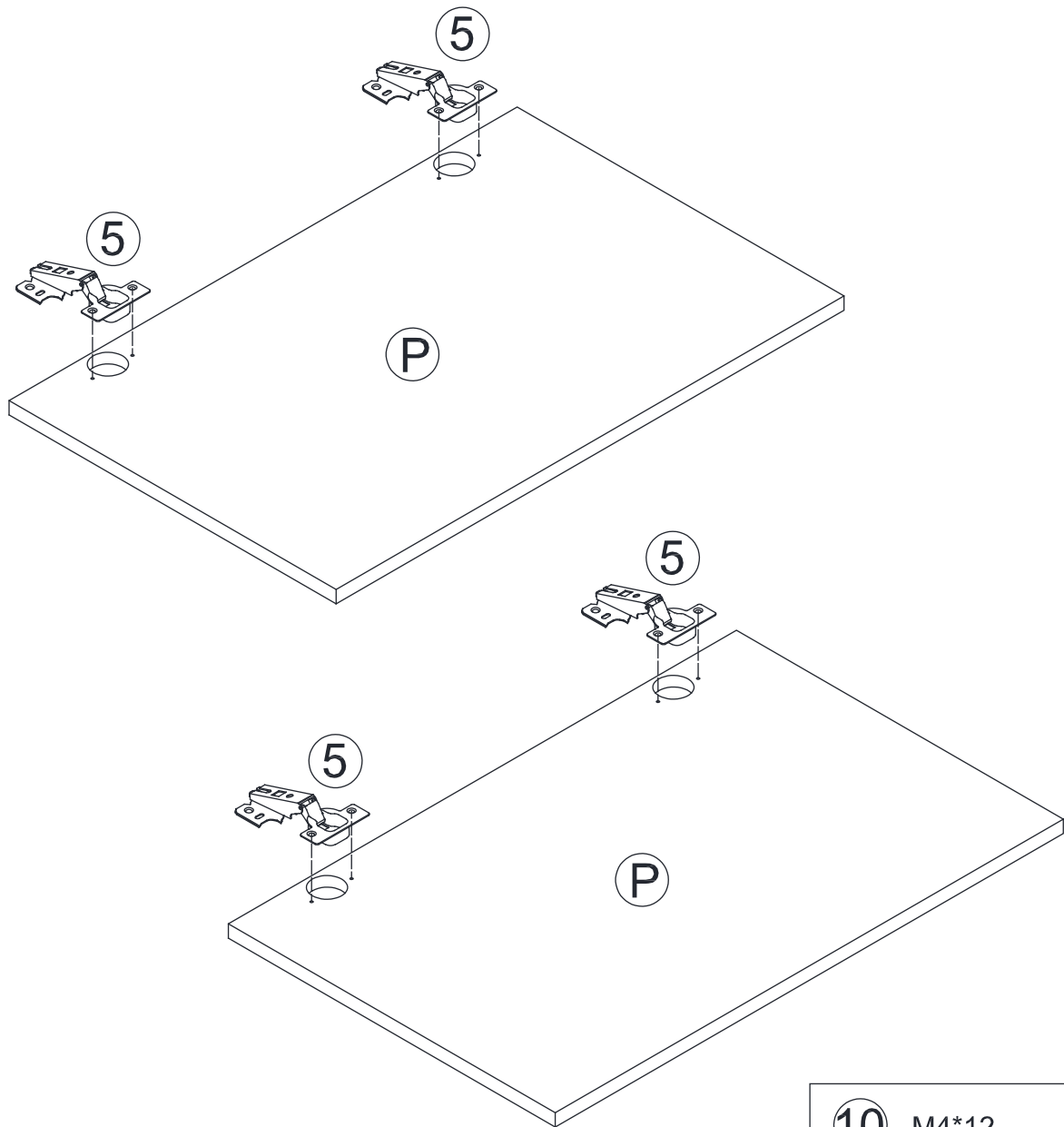
Step 14


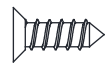
- ◆ Use twelve pieces of the FLAT HEAD SCREW (11) and twelve pieces of CLIP (7) to secure the Back Panel (J) to the Left and Right Side Panels (C, D) and the Top and Bottom Panels (A, B).



Step 15

- ◆ Fasten eight pieces of the FLAT HEAD SCREW (10) to fix the HINGE (5) to the Left and Right Door Panels (P).

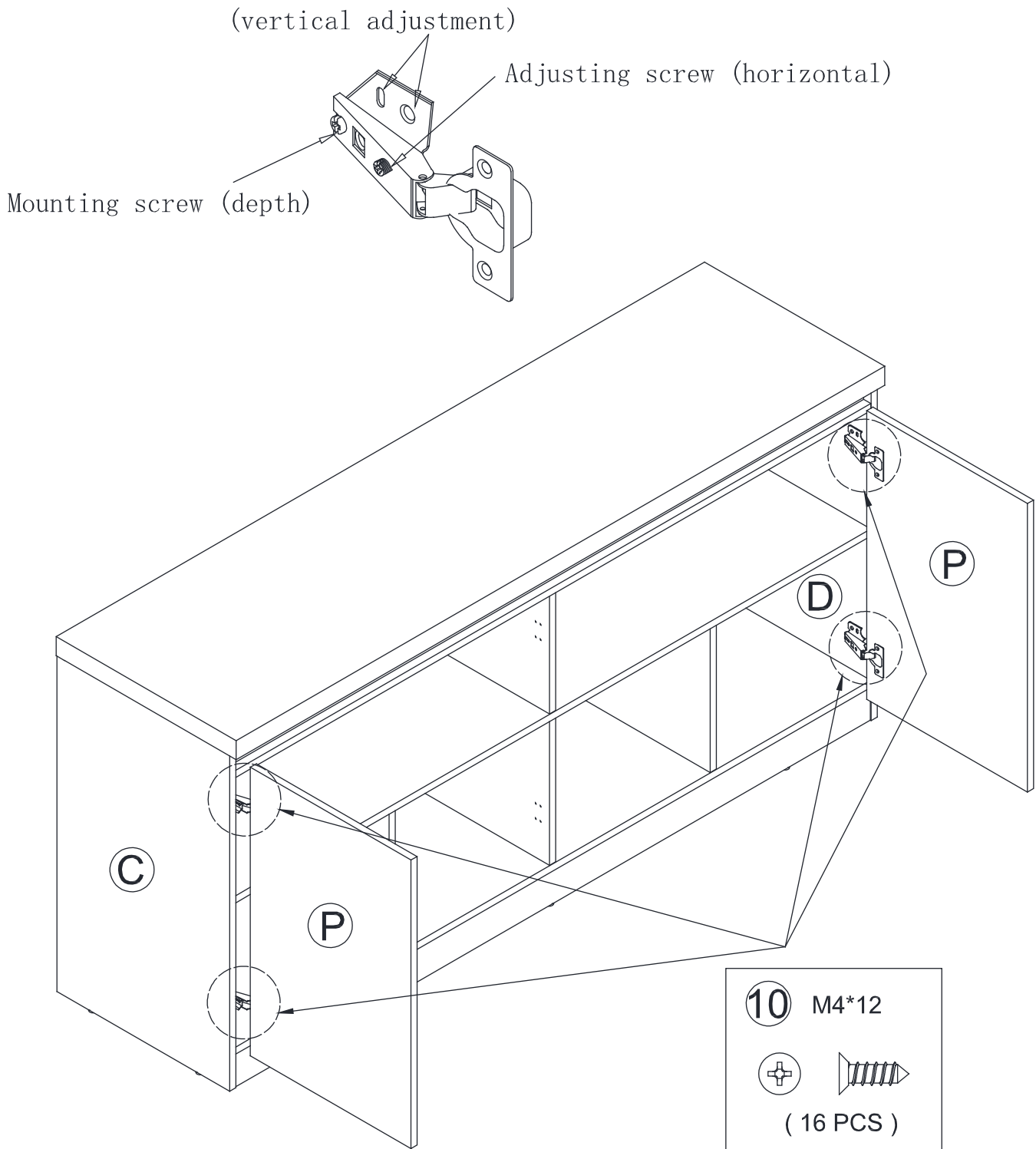


10	M4*12
	
(8 PCS)	

Step 16

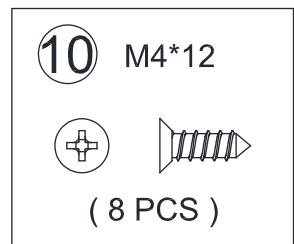
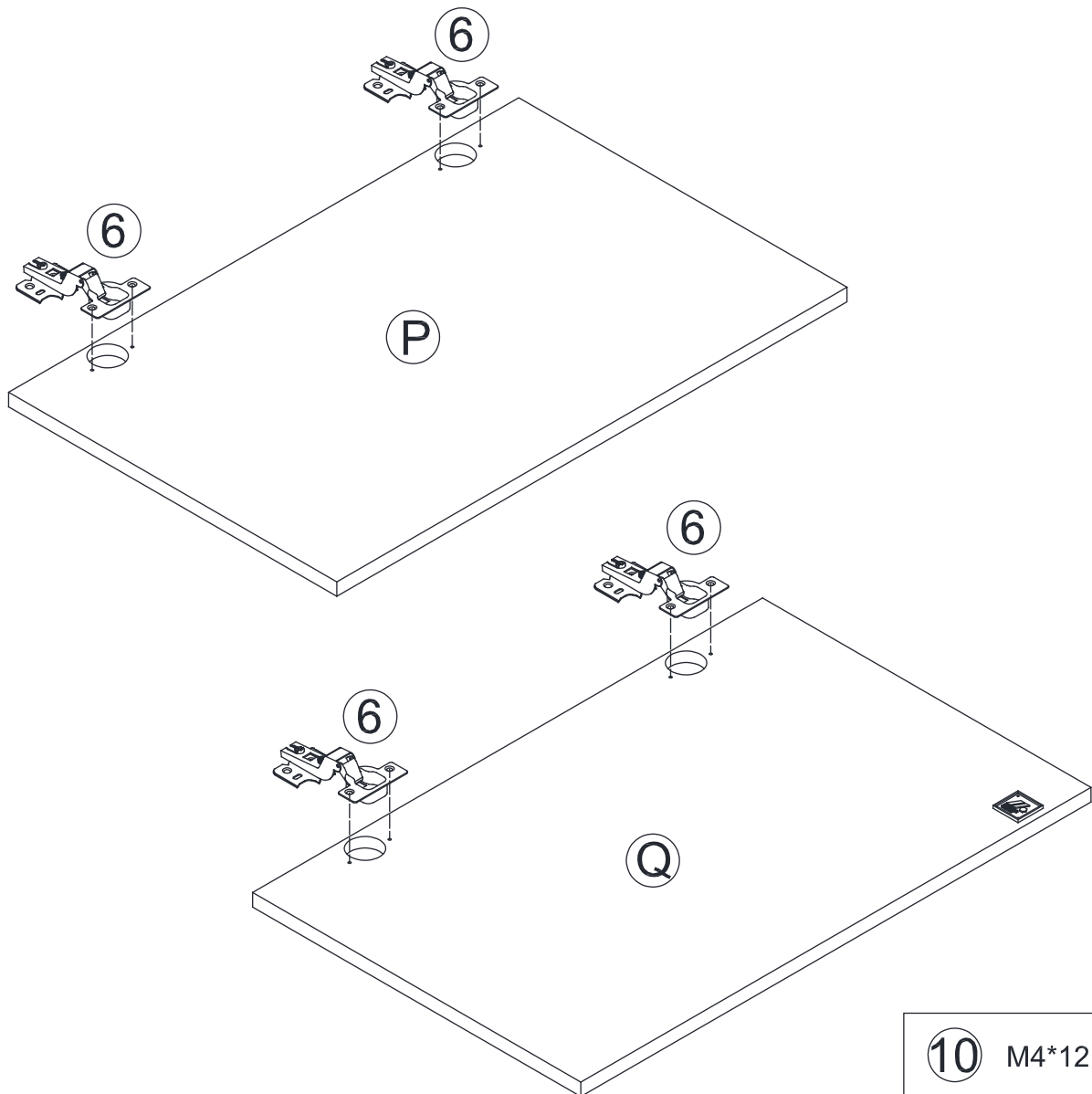
- ◆ Fasten sixteen pieces of the FLAT HEAD SCREW (10) to fix the Left and Right Door Panels (P) to the Side Panels (C, D).

Note: The Left and Right Door Panels (P) must use the HINGE (5).



Step 17

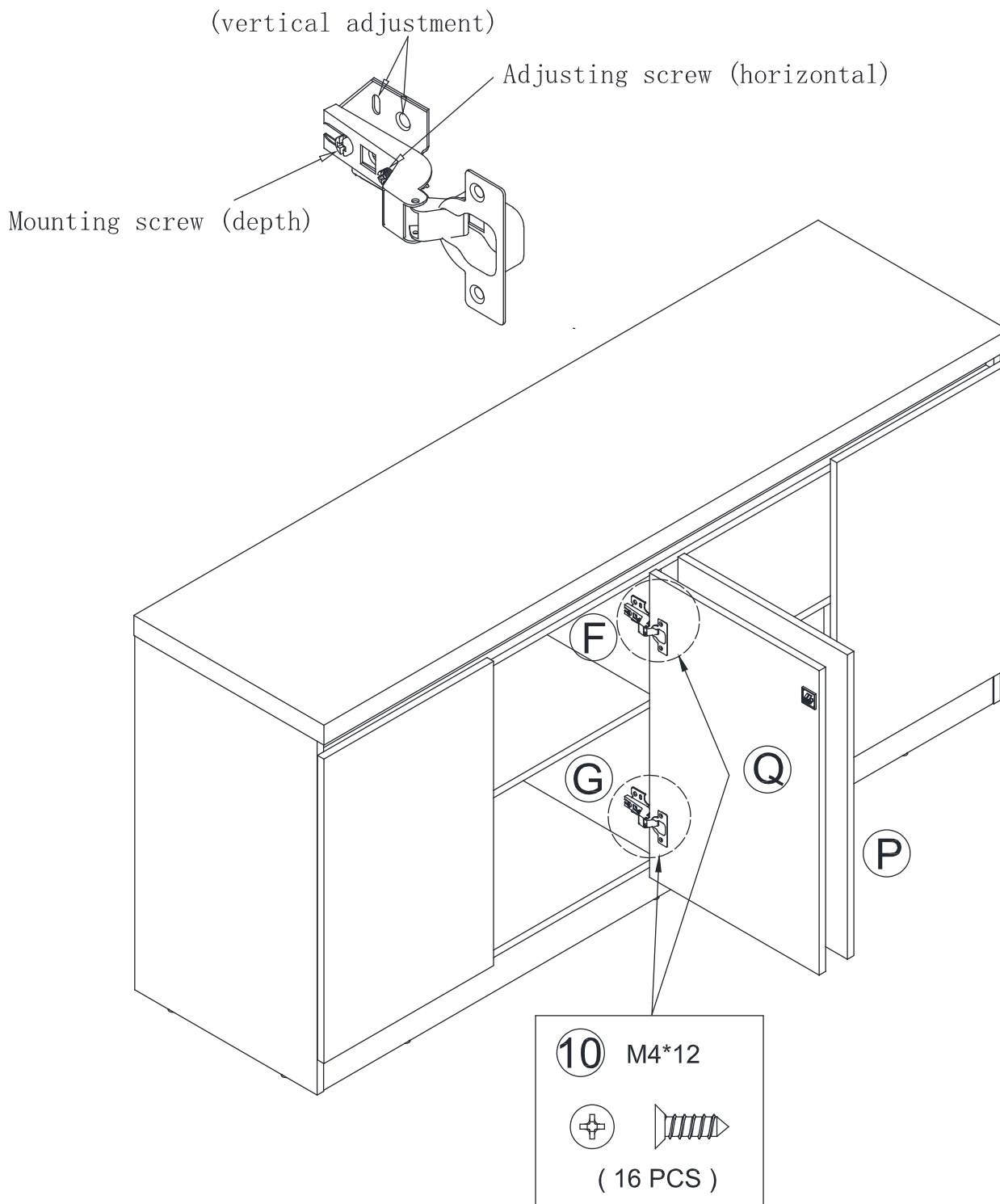
- ◆ Fasten eight pieces of the FLAT HEAD SCREW (10) to fix the HINGE (6) to the Middle-Left Door Panel (Q) and Middle-Right Door Panels (P).



Step 18

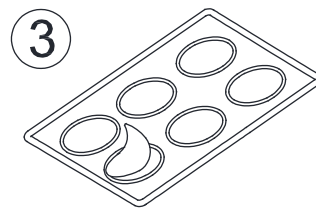
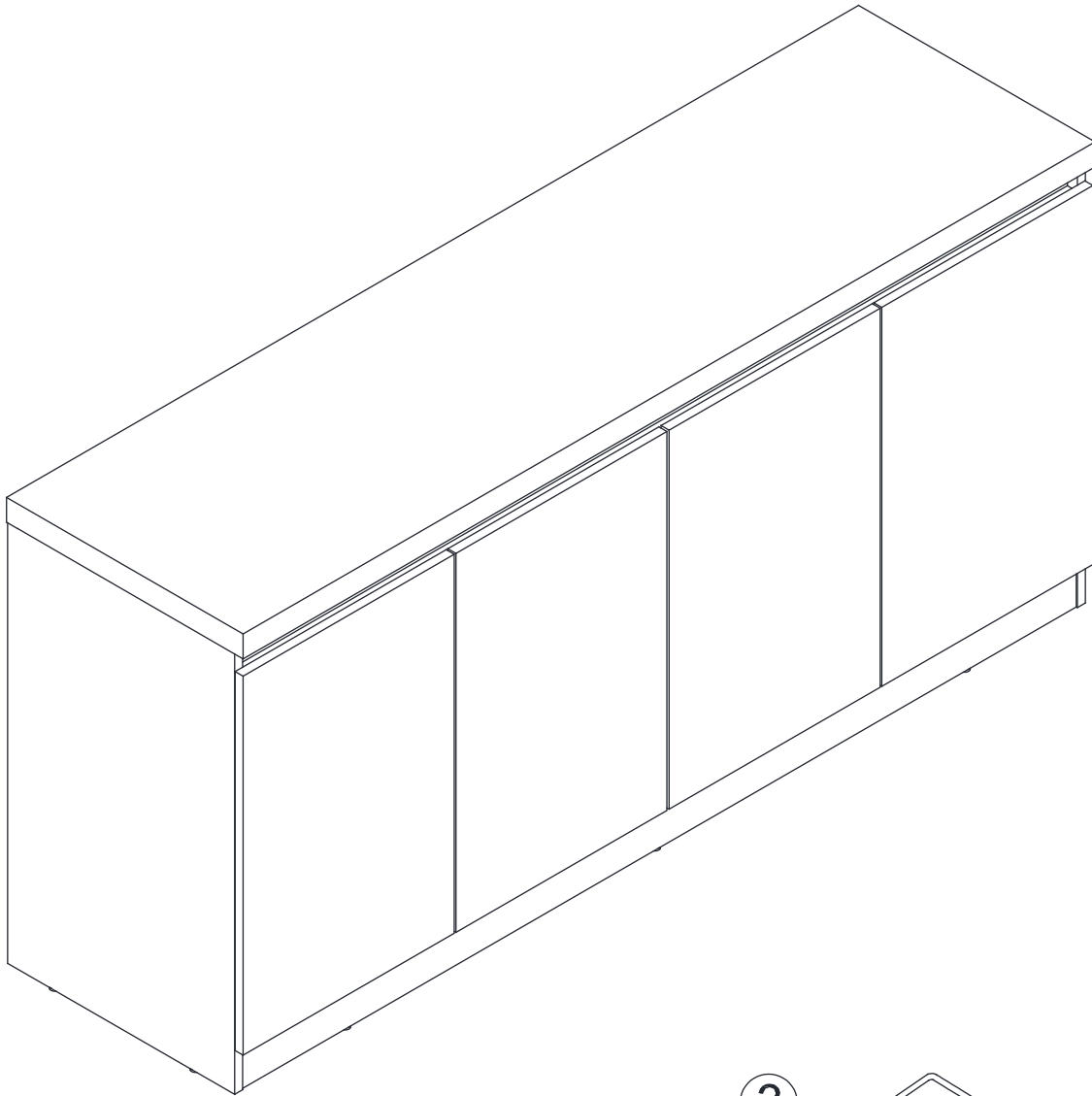
- ◆ Fasten sixteen pieces of the FLAT HEAD SCREW (10) to fix the Middle-Left Door Panels (Q) and Middle-Right Door Panels (P) to the Upper and Lower Uprights (F, G).

Note: The Middle-Left Door Panel (Q) and Middle-Right Door Panel (P) in this step must use the HINGE (6).



Step 19

- ◆ Peel APPLIQUES from the APPLIQUE CARDS (3) and stick them onto each visible HIDDEN CAM.



Step 20

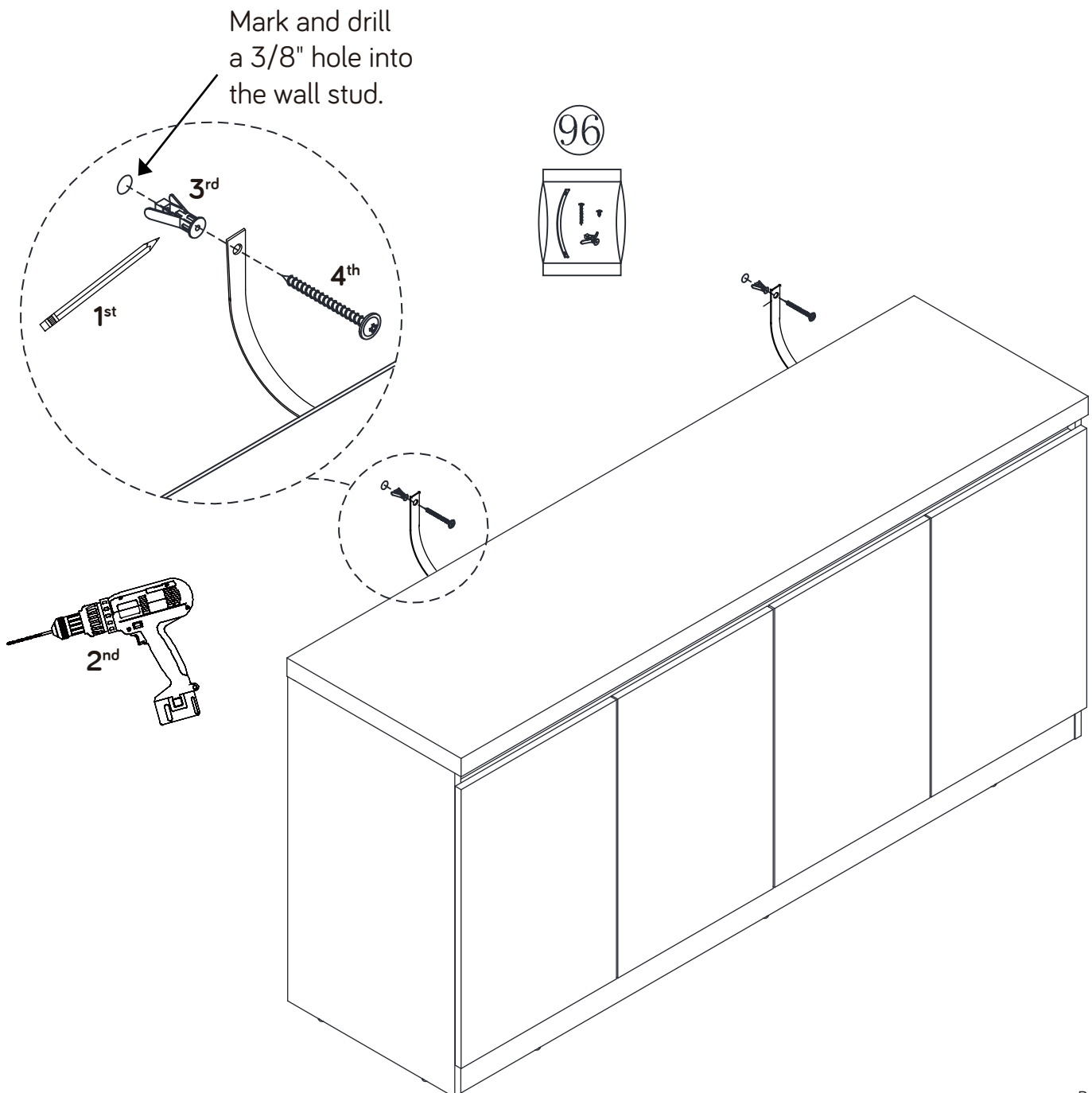
Open the FURNITURE TIPPING RESTRAINT KIT (96) and fasten the SAFETY STRAP to the TOP (A). Use the SHORT SCREW through the hole in the strap and into the top surface of the TOP (A). Place your unit in its final location.

NOTE: The following instructions show your unit being fastened to a wall stud. If you are not fastening your unit wall stud, go to the next step now.

1st- Locate the center of a stud in your wall near your unit and mark it with a pencil.

2nd- Drill a 3/8" hole on the mark and into the stud in your wall.

3rd- Fasten the unit to the wall. Use the LONG SCREW through the other end of the SAFETY STRAP and into the 3/8" hole.



Step 21

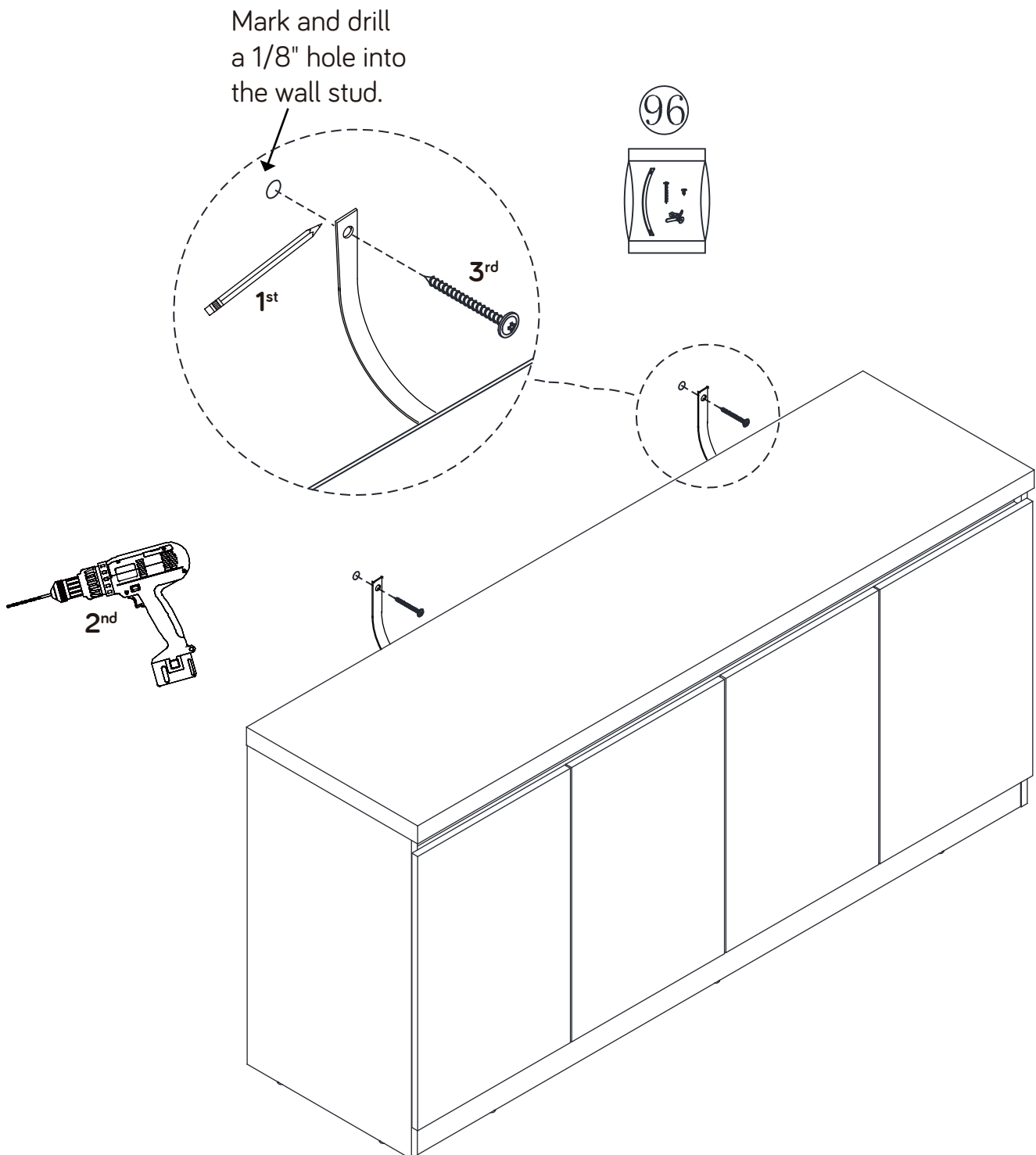
1st- With your pencil, strike a mark through the center of the hole in the SAFETY STRAP.

2nd- Drill a 1/8" hole on the mark.

3rd- While you squeeze the wings together, gently tap the WALL ANCHOR from the FURNITURE TIPPING RESTRAINT KIT (96) into the hole until it is even with the surface of the wall.

4th- Turn the LONG SCREW through the hole in the SAFETY STRAP and into the WALL ANCHOR.

NOTE: You will need to turn the LONG SCREW multiple turns to completely tighten and secure your unit.



WARRANTY POLICY

Products are warranted, to the original purchaser at the time of purchase and for a period of 30 days thereafter.

Our warranty is limited to new products purchased in factory sealed cartons. This warranty is valid in the United States of America and Canada.

In order to provide you with timely assistance, please thoroughly inspect your furniture for missing or defective parts immediately after opening the carton.

Manhattan Comfort offers a 30-day parts replacement warranty on all items.

Our furniture products are not intended for outdoor use.

THE WARRANTY DOES NOT COVER:

- Defects/damages by improper assembly or disassembly.
- Defects/damages caused by shipping. Claims for damage during transit should be placed immediately to the transportation company.
- Defects/damages caused by inappropriate use of the furniture.