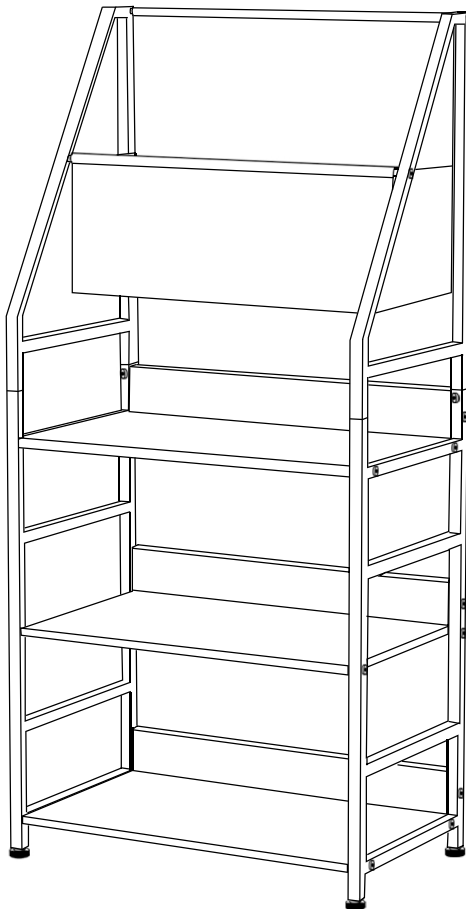


USER'S MANUAL

Display Storage Shelf

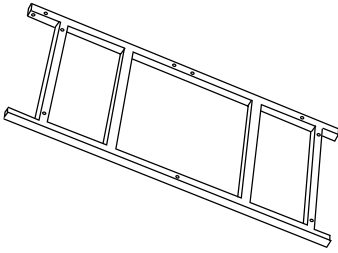


Aftersale email address: lubby13@outlook.com

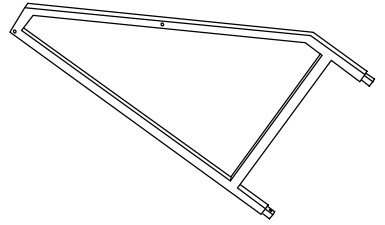
NOTE: PLEASE DO NOT USE POWER TOOL FOR ASSEMBLY.

PARTS LIST

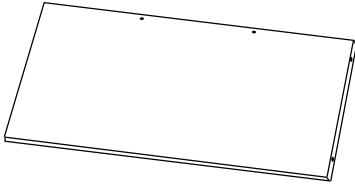
A×2



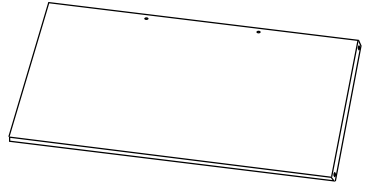
B×2



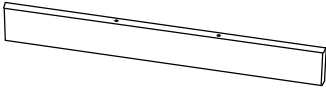
C×2



D×1



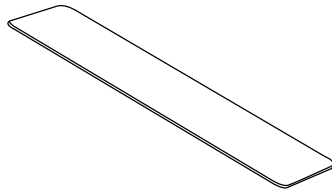
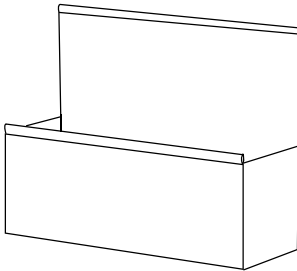
E×3



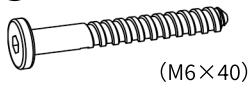
F×2



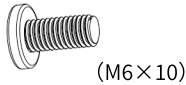
G×1



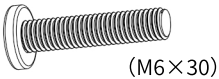
①×24



②×4



③×4



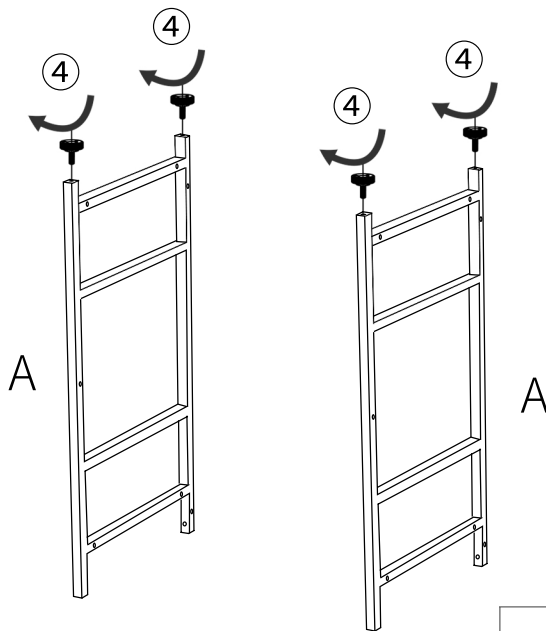
④×4



TOOL

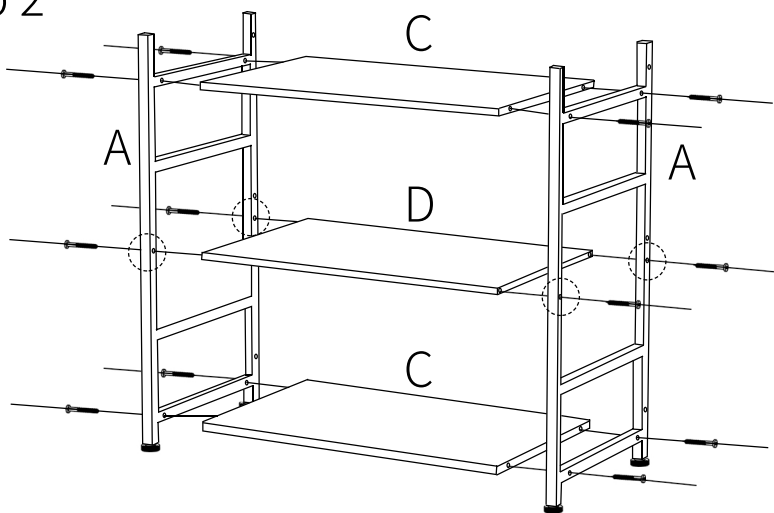


Step 1



④ × 4

Step 2

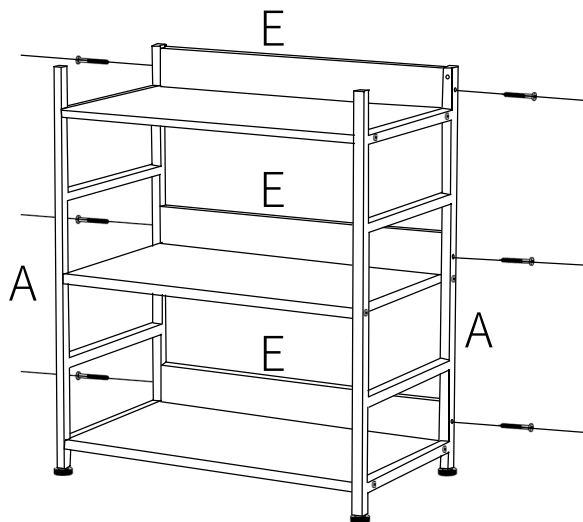


Please NOTICE the hole position of the middle panel.

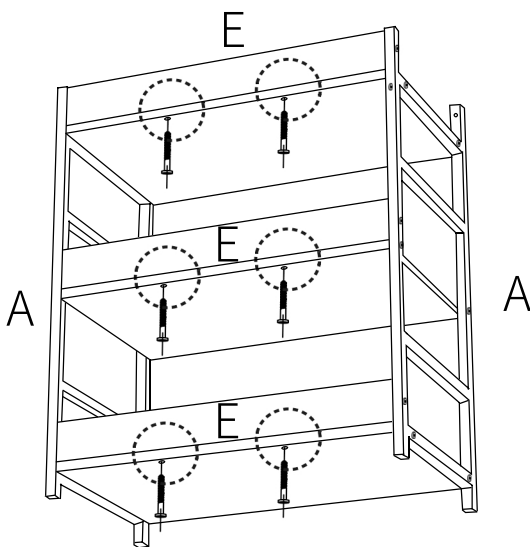


① × 12

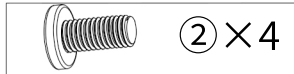
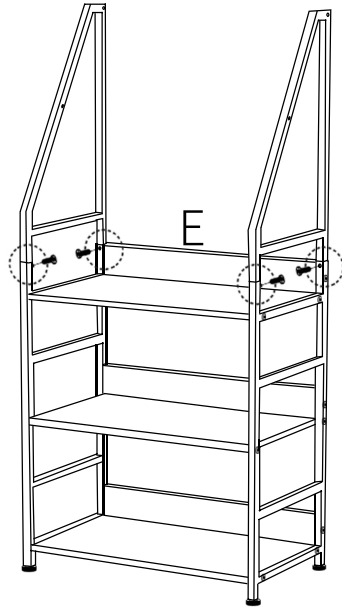
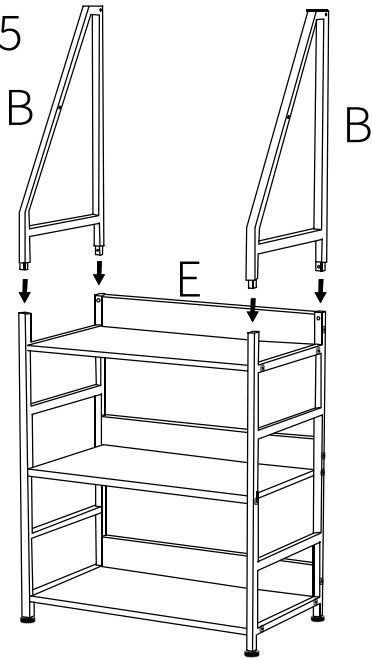
Step 3



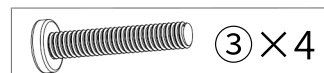
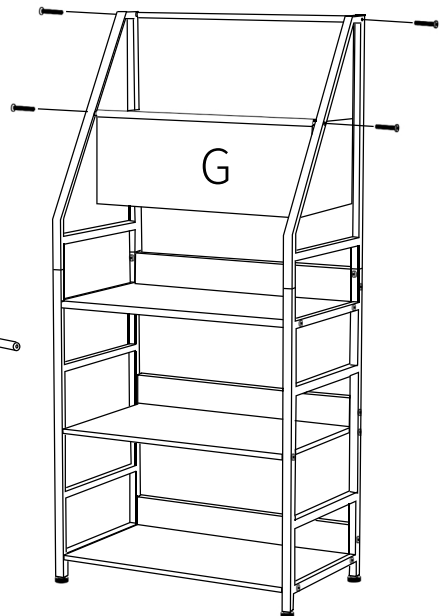
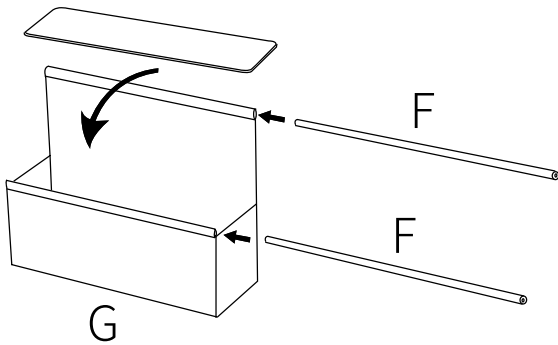
Step 4



Step 5



Step 6



24/7 CUSTOMER SERVICE

**Please contact us first if you have any problem
we will give you a satisfactory solution more quickly than amazon official service does.
Any replacement like missing or damaged parts, we will ship it ASAP!**