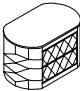

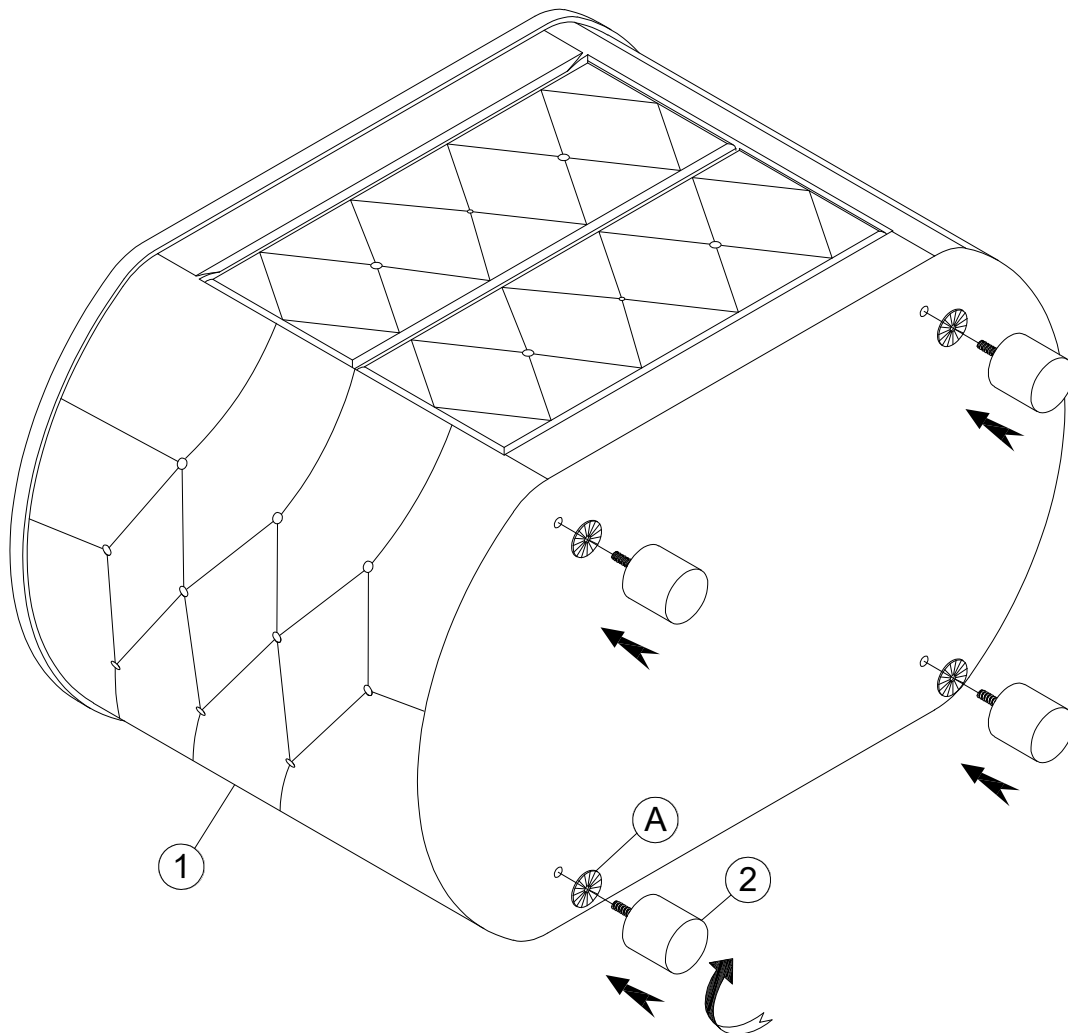


ASSEMBLY INSTRUCTION

5115-2 NIGHTSTAND

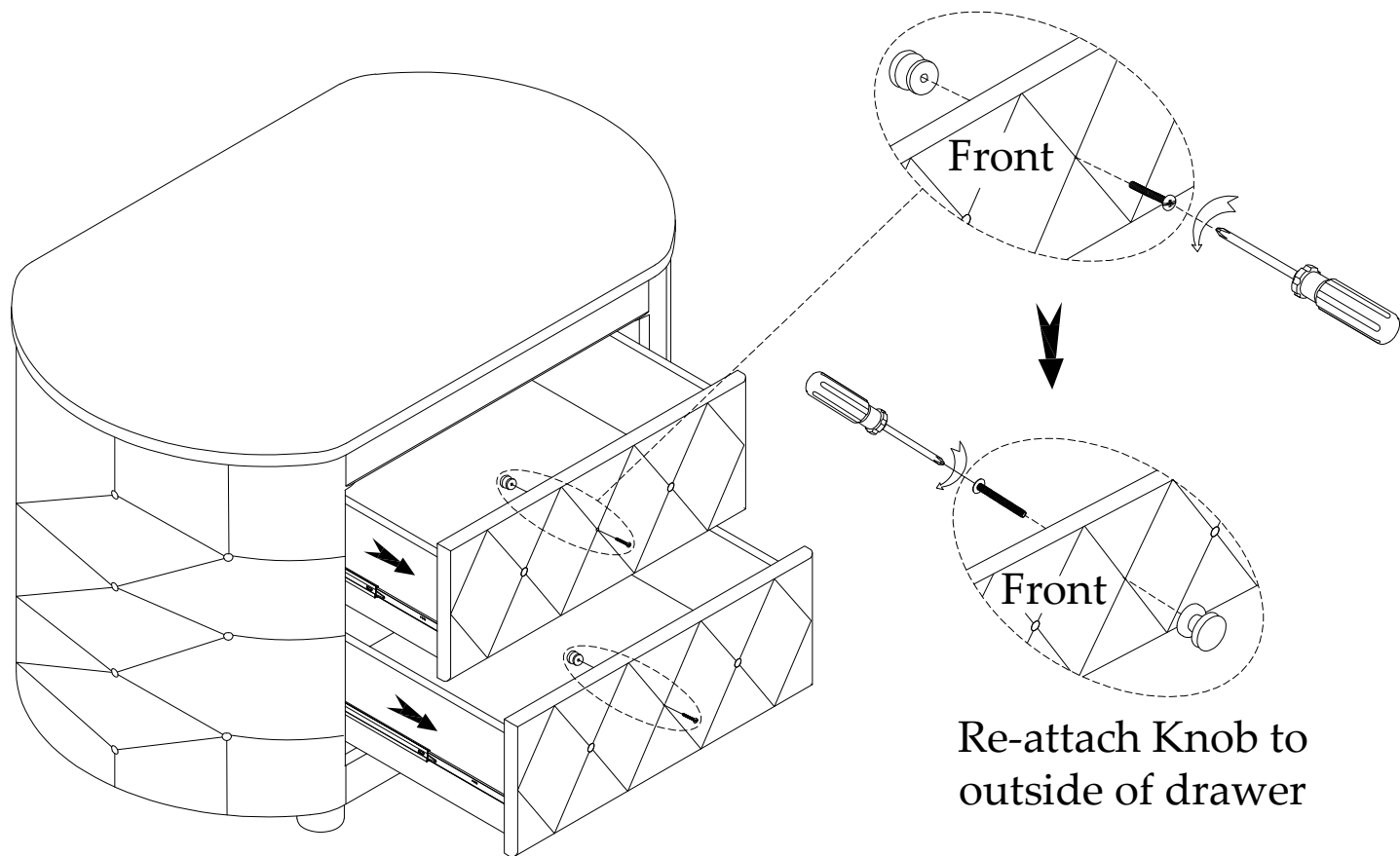
Part	PARTS LIST		Quantity
1	Nightstand		1 Pc
2	Leg		4 Pcs
HARDWARE LIST			
A	Plastic Cover		4 Pcs

Step 1 : Install legs to bottom of Nightstand



Step 2 :

Remove Knob from
inside drawer



Re-attach Knob to
outside of drawer

Completed

