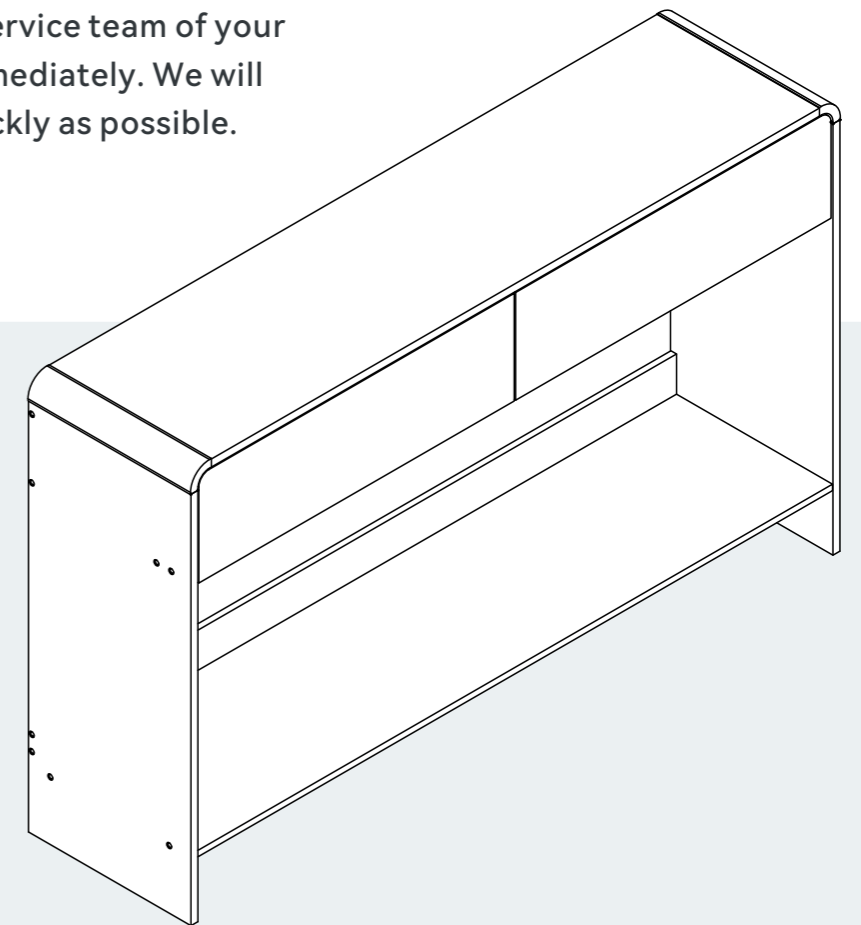


Sofa Table

Assembly Instruction – Please keep properly for future reference.

If you find any missing boxes, damaged parts, or accessory shortages, please contact the customer service team of your purchasing channel immediately. We will resolve the issue as quickly as possible.



CONTACT US

- In order to receive assistance more quickly, please provide

THE FOLLOWING INFORMATION:

- Order number
- Purchase platform
- Purchase date
- Detailed description of the issue along with photos (if applicable)

Important – Please read these instructions carefully before starting the installation.

| Sofa Table

EN

Before Assembly



Thank you for choosing our product!

To ensure a smooth installation process, please read this guide carefully to familiarize yourself with the required tools, materials, and installation steps.

Follow the relevant sections to avoid any damage caused by improper installation, and make sure to review all operation and safety guidelines for correct installation procedures.

Packaging Notice:

If you find any missing boxes, damaged parts, or accessory shortages, please contact the customer service team of your purchasing channel immediately. We will resolve the issue as quickly as possible.

Safety and Care Advice



Important :

Please read these instructions fully before starting assembly.

- Check you have all the components and tools listed on the following pages.
- Remove all fittings from the plastic bags and separate them into their groups.
- Keep children and animals away from the work area, small parts could choke if swallowed.
- Make sure you have enough space to layout the parts before starting.
- During assembly do not stand or put weight on the product, this could cause damage.
- Assemble the item as close to its final position (in the same room) as possible.
- Assemble on a soft level surface to avoid damaging the unit or your floor.
- Parts of the assembly will be easier with 2 people.



- To reduce the likelihood of damaging your product please ensure that your power drill is set on a low torque setting.

Care and Maintenance

- Only clean using a damp cloth and mild detergent, do not use bleach or abrasive cleaners.
- From time to time check that there are no loose screws on this unit.
- This product should not be discarded with household waste. Take to your local authority waste disposal center.

Handy Hints

- Assemble all parts and bolts loosely during assembly, only once the product is complete should you fully tighten the bolts.
- Regularly check and ensure that all bolts and fittings are tightened properly.

Warning

In order to help prevent overturning, please follow these instructions.

- Use the anti tip strap or wall fixing method provided (if applicable).
- Do not allow children to climb or hang on the furniture.
- Do not open more than one drawer at a time.
- Do not place heavy items in the top drawers.
- Do not place heavy items on top of the furniture, unless the furniture has been designed for this purpose.
- Please note that only the anti tip strap is provided. You will need to provide wall plugs and screws applicable for your wall type.

Customer Service Guide



Thank you for choosing our product! We are committed to providing you with excellent service. If you find any missing parts, damaged packaging, or product damage after receiving all packages, please follow the steps below to quickly contact our customer service team. We will do our best to resolve your issue.

1. Missing Parts

Verify Parts:

1. Refer to the “Parts List” in the manual to verify the name, specifications, and quantity of the missing parts.
2. Take a clear photo of the parts list and mark the missing parts with detailed information, e.g., “Missing 5 pieces of M6×30mm screws.”

Contact Us:

By Email:

Send an email to **us**, with the subject line “Missing Parts Issue.” Include the following in the email:

- A description of the missing parts and a photo of the parts list.
- Order details (order number, purchase platform, purchase date).

2. Product or Packaging Damage

If it affects normal use:

Steps:

1. Take clear photos or videos showing the damaged parts and the extent of the damage (multi-angle shots are recommended).
2. Email the photos/videos along with order details to **us**, with the subject line “Product Damage Issue.”

Resolution:

After verification, we will arrange for a replacement part, product exchange, or refund as quickly as possible.

If it does not affect normal use:

Steps:

1. Contact our customer service team.
2. Provide a description of the damage and include relevant photos or videos.

Resolution:

We will provide repair guidance or an appropriate compensation plan based on the specific situation.

Helpful Tips

To process your issue efficiently, please prepare the following information:

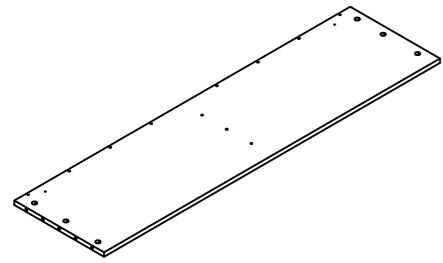
- Order details (order number, purchase platform, purchase date).
- Clear photos or videos.
- We are committed to providing quick and professional solutions, no matter the size of the issue, to ensure your satisfaction.

Thank you for your trust and support!
We hope you enjoy using our product!

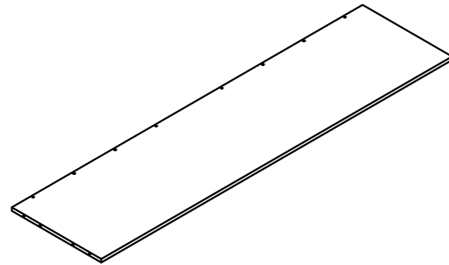
Parts List - Panels



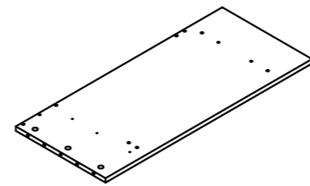
Please check you have all the panels listed below.



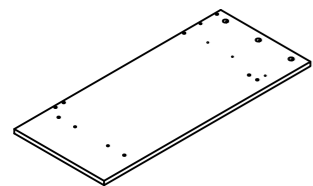
① (1310x350x15mm)X1



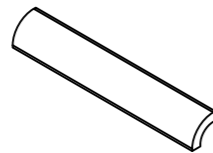
② (1368x349x12mm)X1



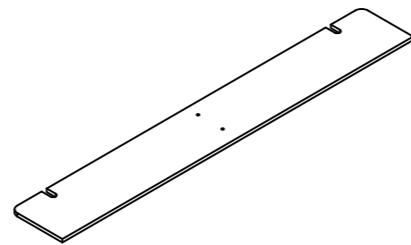
③ (805X350X15mm)X1



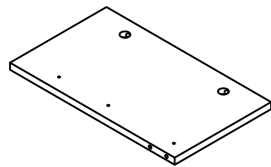
④ (805X350X15mm)X1



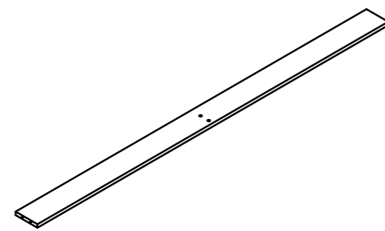
⑤ (350X63.6X26.2mm)X2



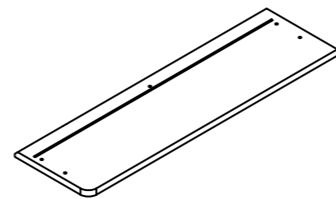
⑥ (1368X201X12mm)X1



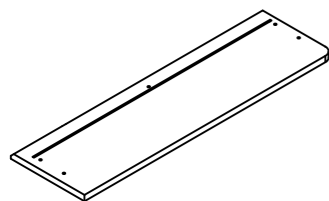
⑦ (188X321X12mm)X1



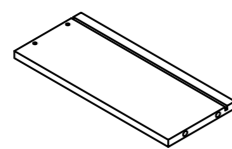
⑧ (1368X85X12mm)X1



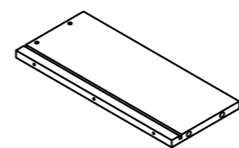
⑩ (679.5X201X15mm)X1



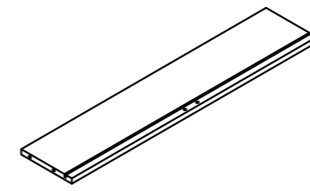
⑪ (679.5X201X15mm)X1



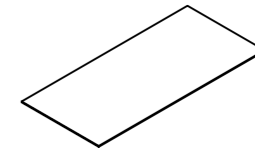
⑫ (300X130X12mm)X2



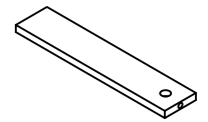
⑬ (300X130X12mm)X2



⑭ (629X130X12mm)X2



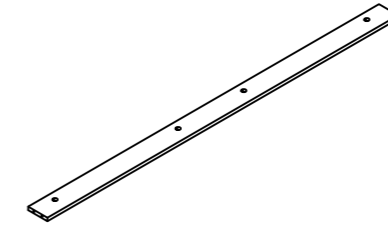
⑮ (639X297X3mm)X2



⑯ (287X60X12mm)X2



⑰ (∅43X∅37X106mm)X1



⑱ (1368X75X12mm)X1

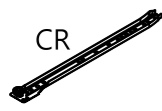
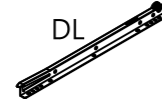


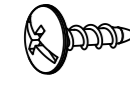
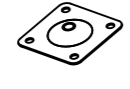
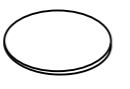
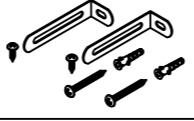
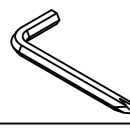
Parts List - Fittings



Please check you have all the fittings listed below.

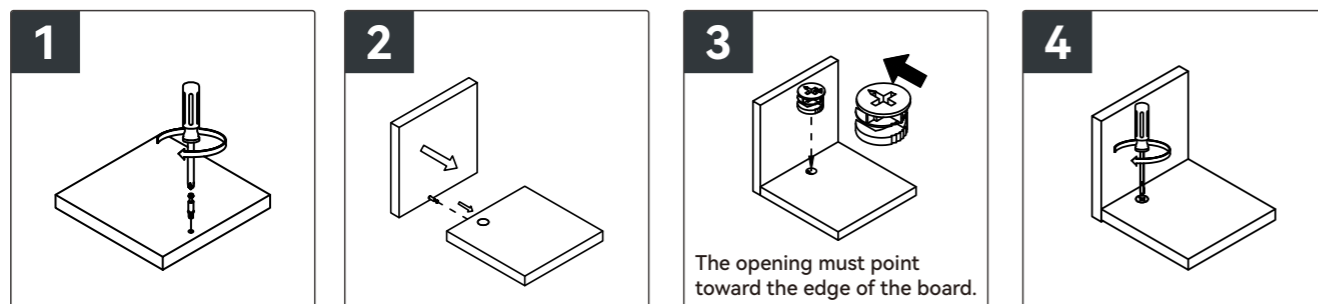
Note: The quantities below are the correct amount to complete the assembly. In some cases more fittings may be supplied are required.

<p>Ⓐ X32+3</p> <p>∅15X9.5mm</p>	<p>Ⓑ X32+3</p> <p>∅6.5X35mm</p>	<p>Ⓒ X15+1</p> <p>∅ 6X30mm</p>	<p>Ⓓ X8+1</p> <p>∅ 8X30mm</p>
<p>Ⓔ X12+1</p> <p>∅4X35mm</p>	<p>Ⓕ X24+2</p> <p>∅3.5X12mm</p>	<p>Ⓖ X20+2</p> <p>∅6.3X50mm</p>	<p>H-CL X2</p> <p>CL L=300mm</p>

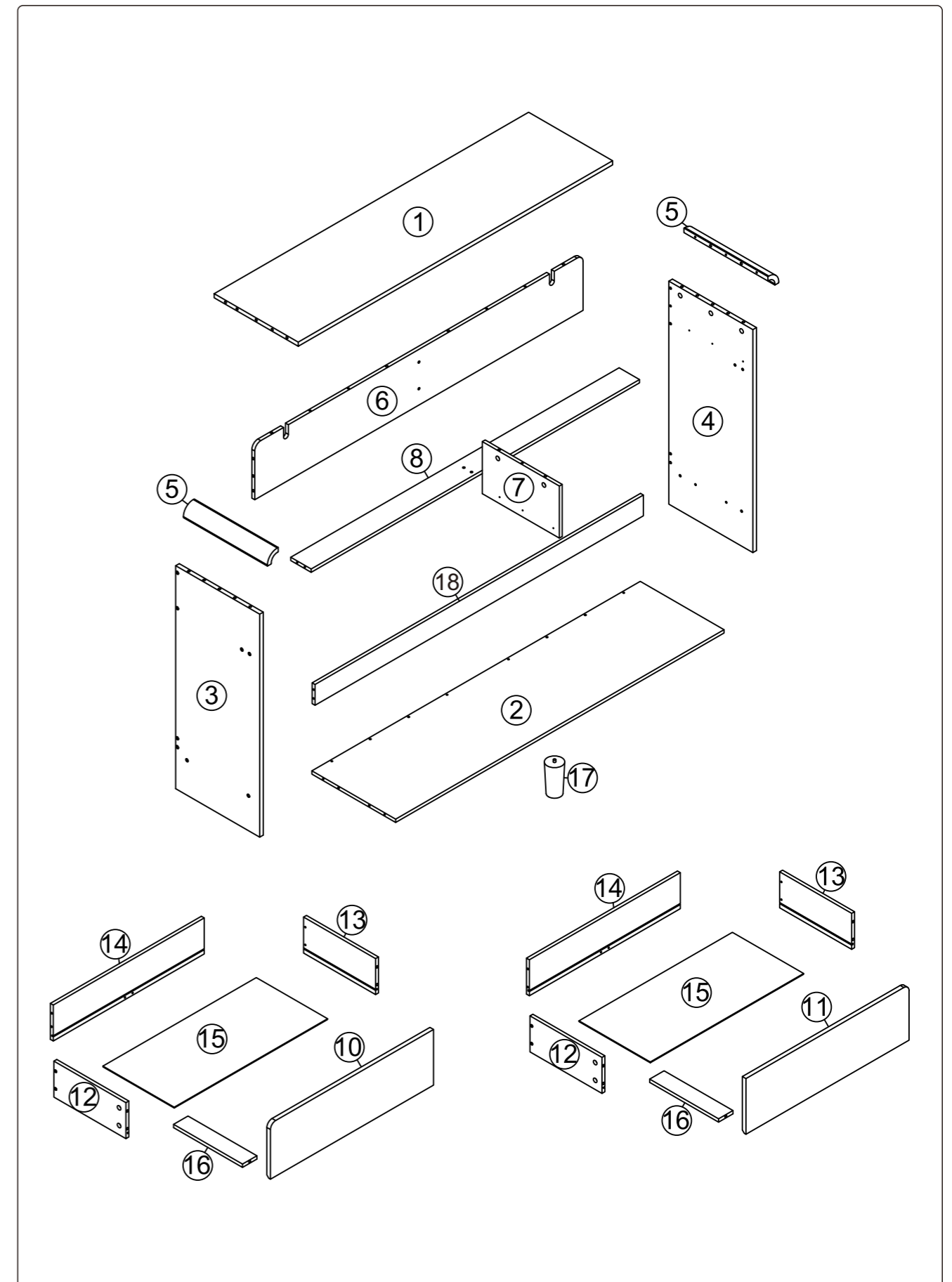
H-CR X2	H-DL X2	H-DR X2	I X1
			
L=300mm	L=300mm	L=300mm	Ø20X21mm
J X4+1	K X1	L X52+3	M X1Set
			
Ø4X12mm	49X49X1.6mm	Ø21mm	
N X1			
			
M4X65mm			

Cam Lock Fastening System

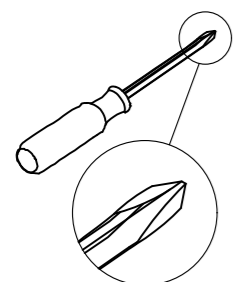
Insert the cam bolt into the hole first, then insert the cam lock and lock it.



Assembly Instructions



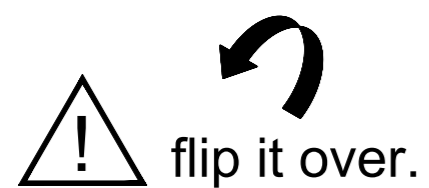
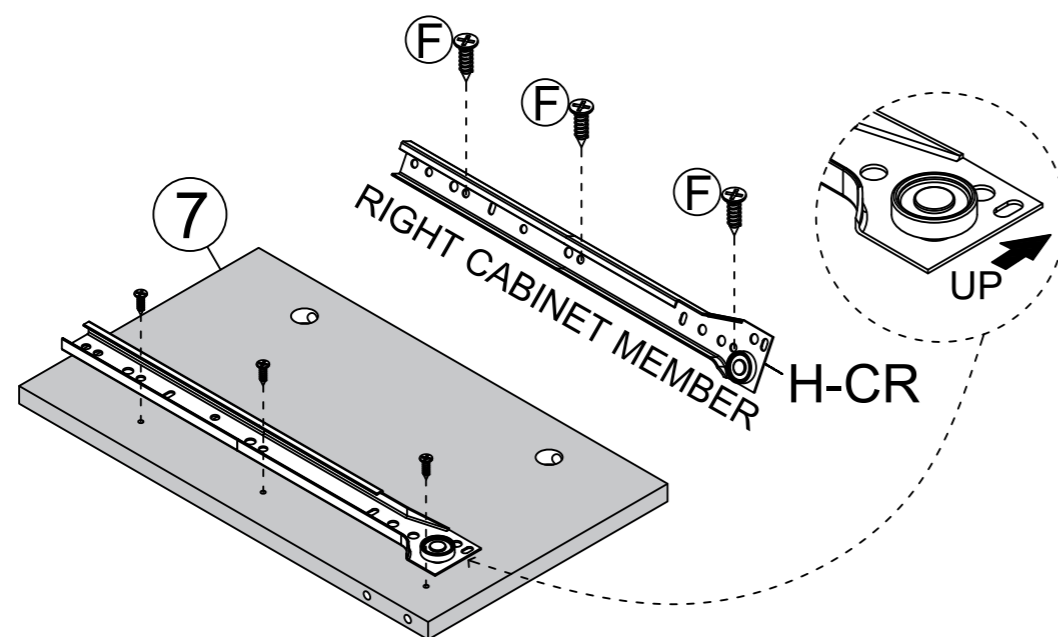
Step 1



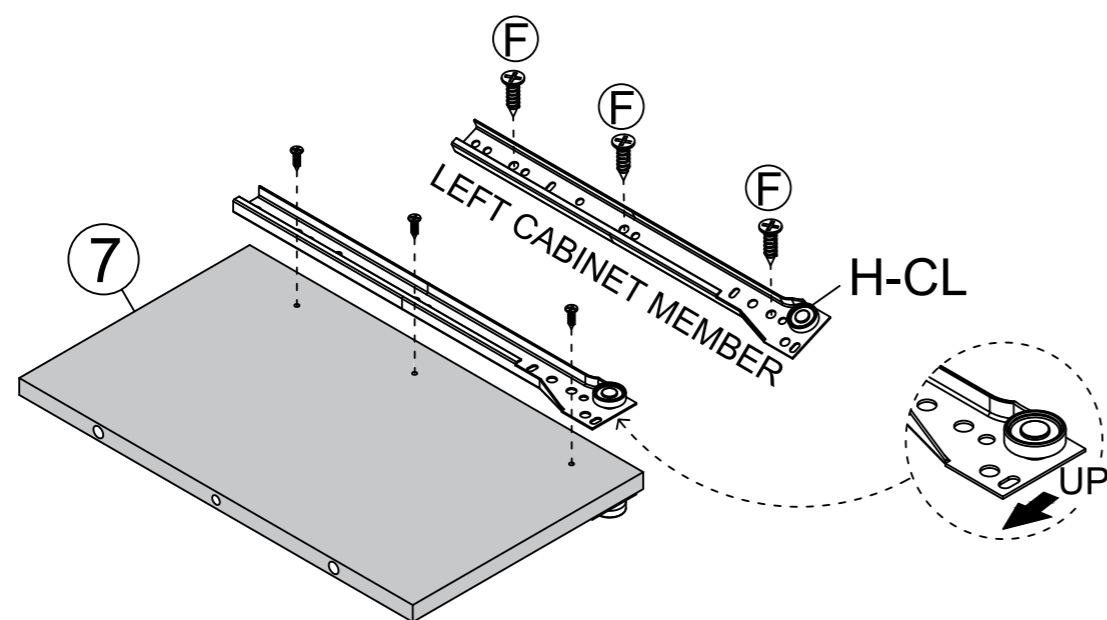
(F)	X6
Ø3.5X12mm	

H-CL	X1
L=300mm	

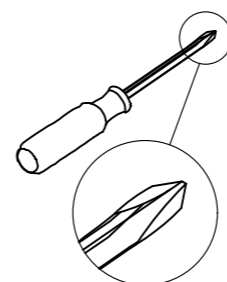
H-CR	X1
L=300mm	



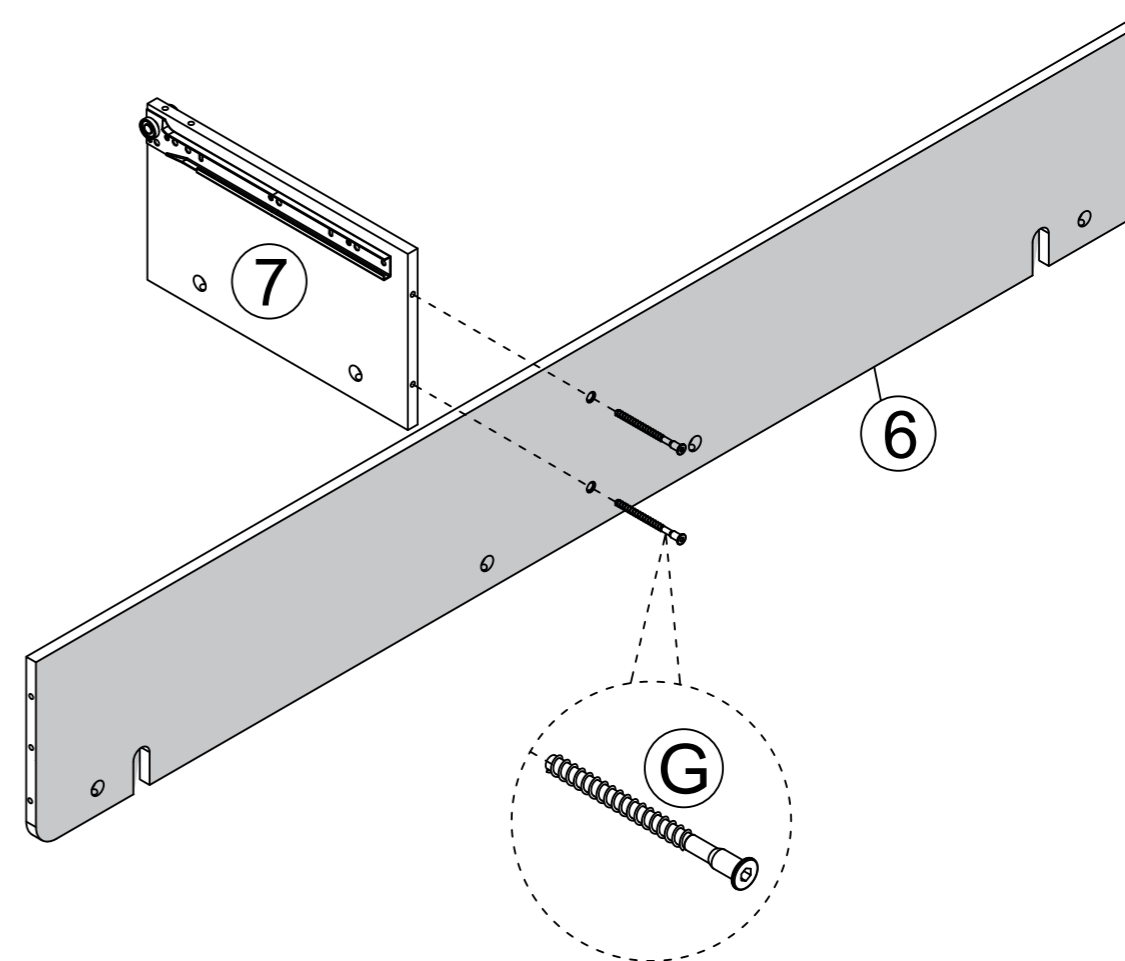
First, attach hardware (H-CR) to panel (7) using screws (F). Flip the panel over, then attach hardware (H-CL) to panel (7) using screws (F).



Step 2

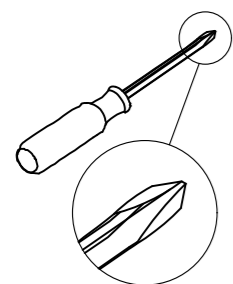


(G)	X2
Ø6.3X50mm	

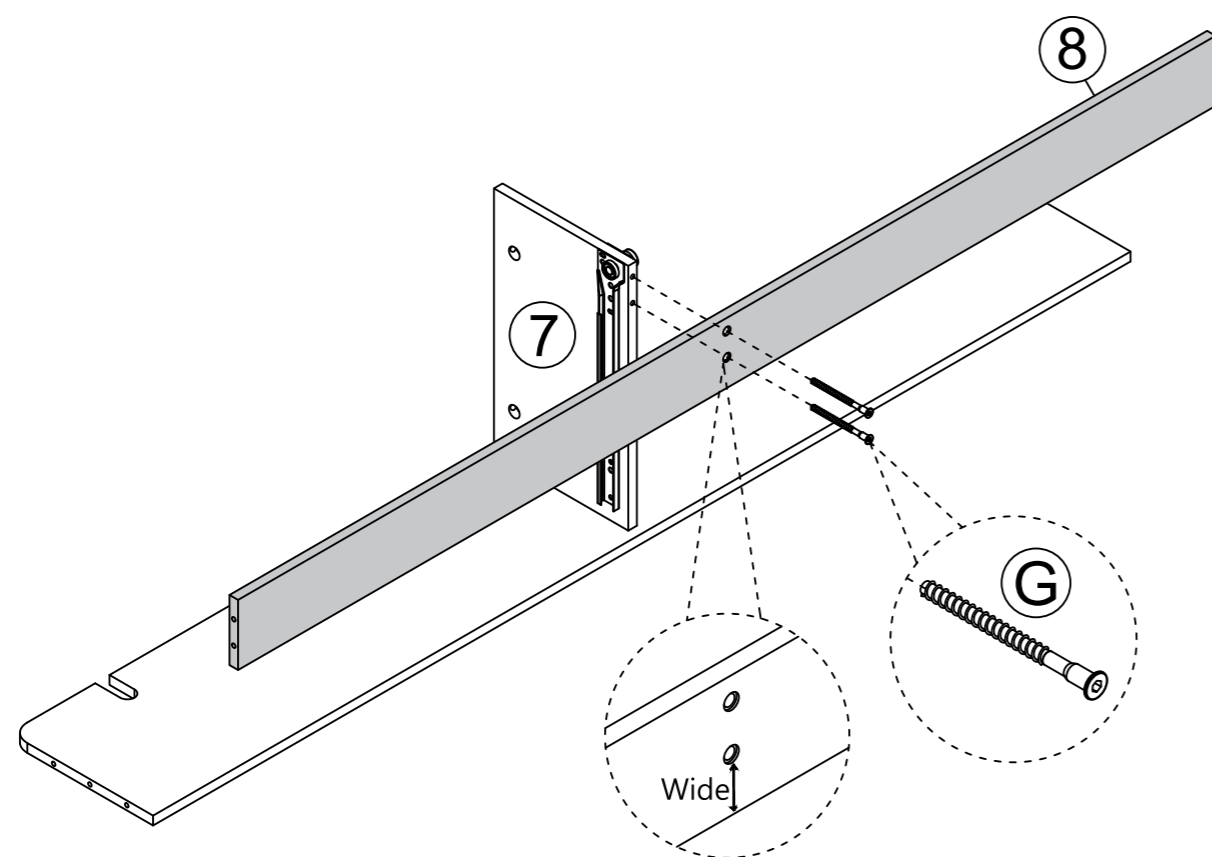


Use screws (G) to connect panel (6) to panel (7).

Step 3

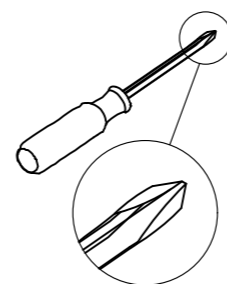


(G)	X2
Ø6.3X50mm	

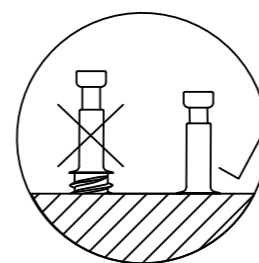
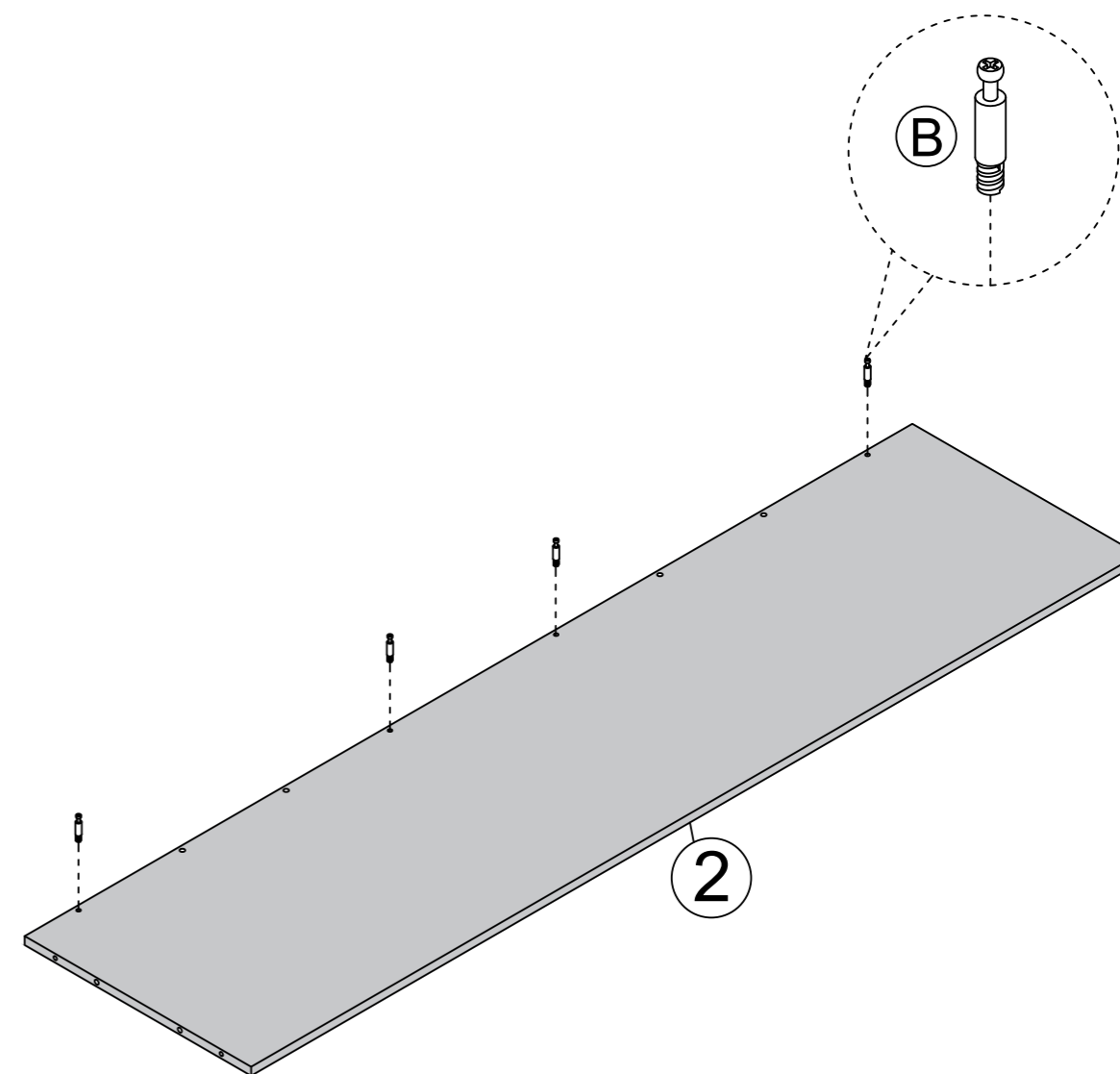


Use screws (G) to connect panel (8) to panel (7).

Step 4

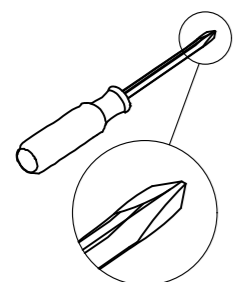


(B)	X4
Ø6.5X35mm	



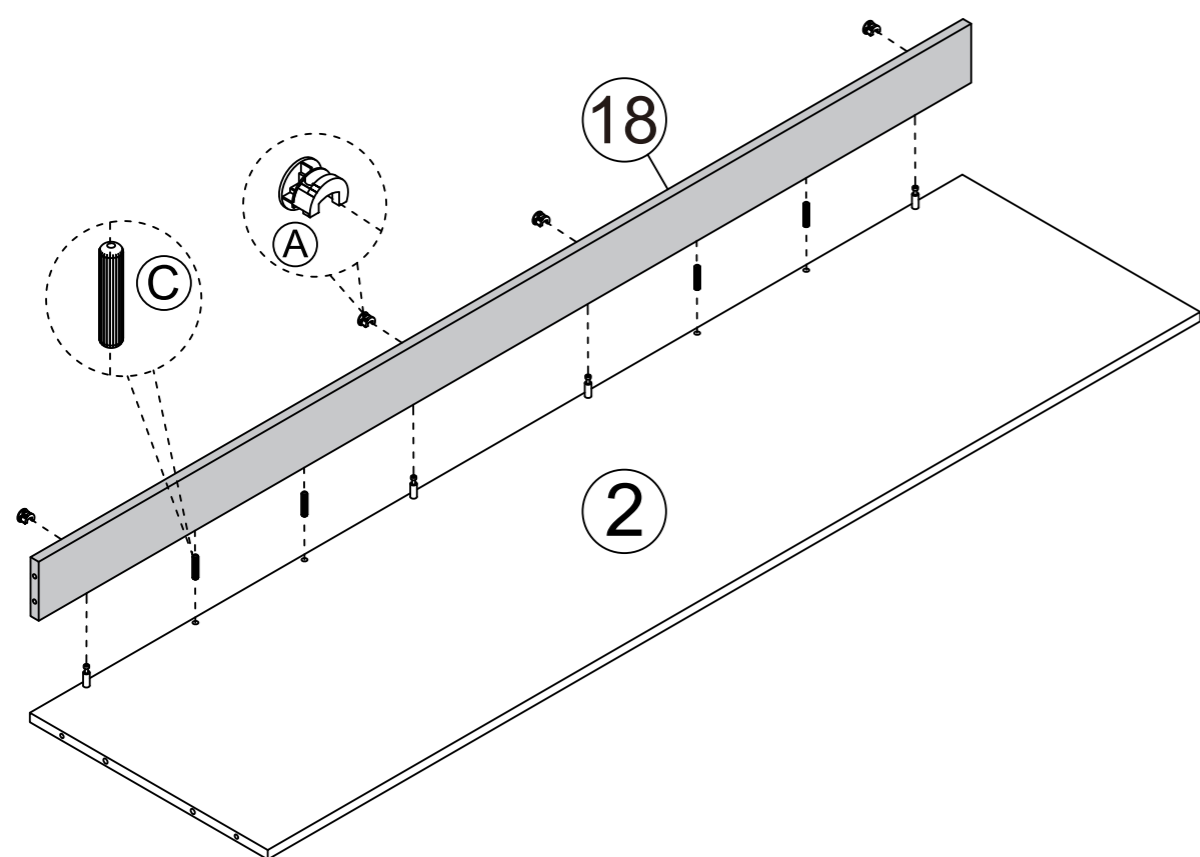
Install cam bolts (B) into panel (2).

Step 5



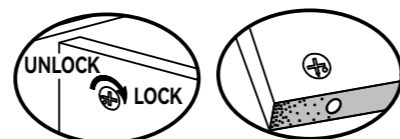
(A)	X4
Ø15X9.5mm	

(C)	X4
Ø 6X30mm	



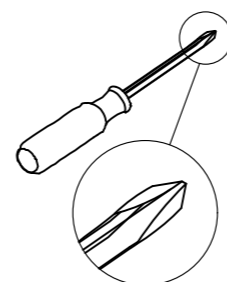
Attach panel (18) to panel (2) using screws (A) and hardware (C).

Insert the cam bolt into the hole first, then insert the cam lock and lock it.



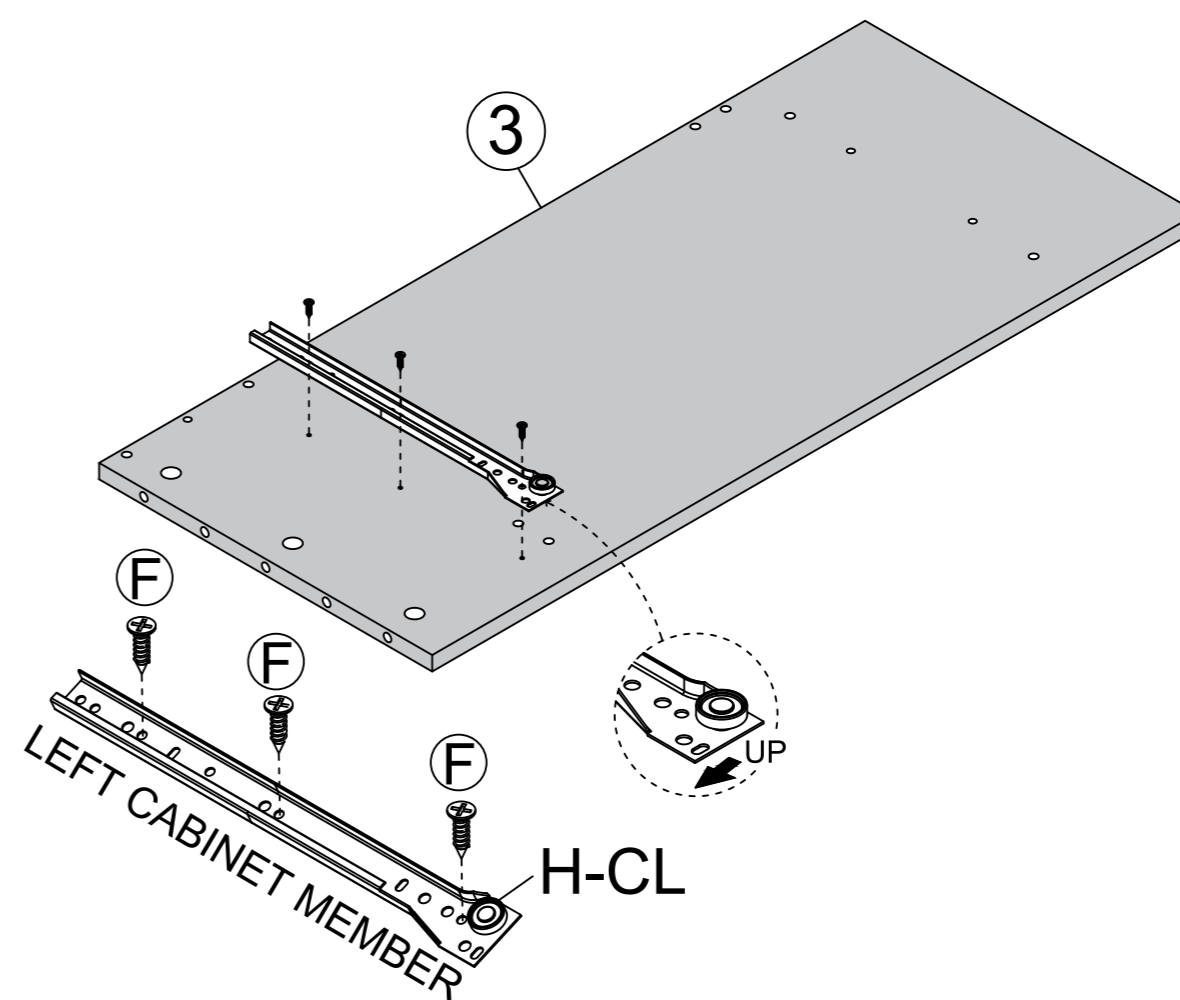
Proper orientation of CAM LOCK

Step 6



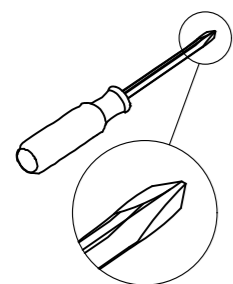
(F)	X3
Ø3.5X12mm	

H-CL	X1
L=300mm	



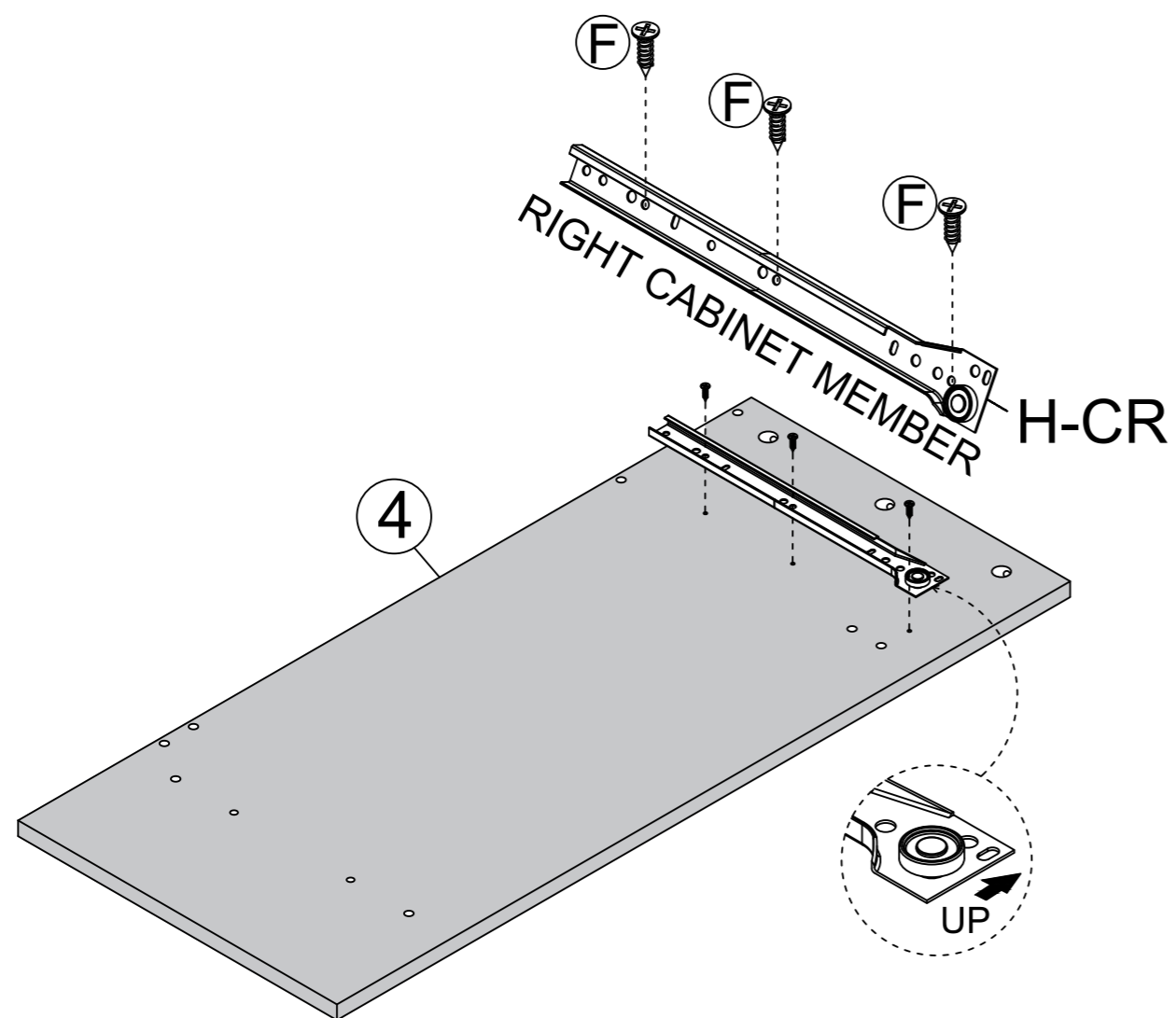
Attach hardware (H-CL) to panel (3) using screws (F).

Step 7



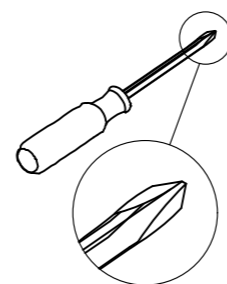
(F)	X3
ø3.5X12mm	

H-CR	X1
L=300mm	



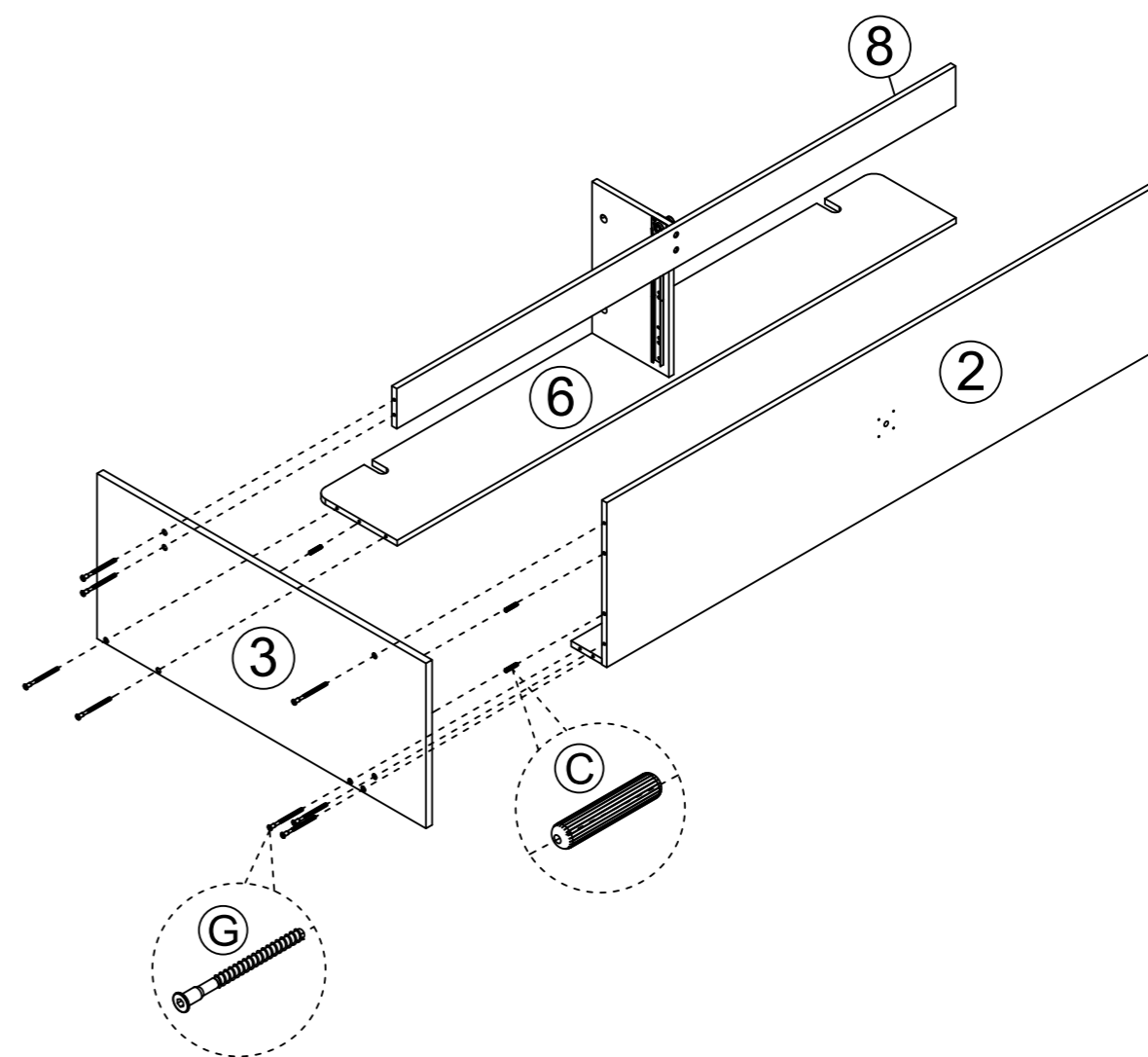
Attach hardware (H-CR) to panel (4) using screws (F).

Step 8



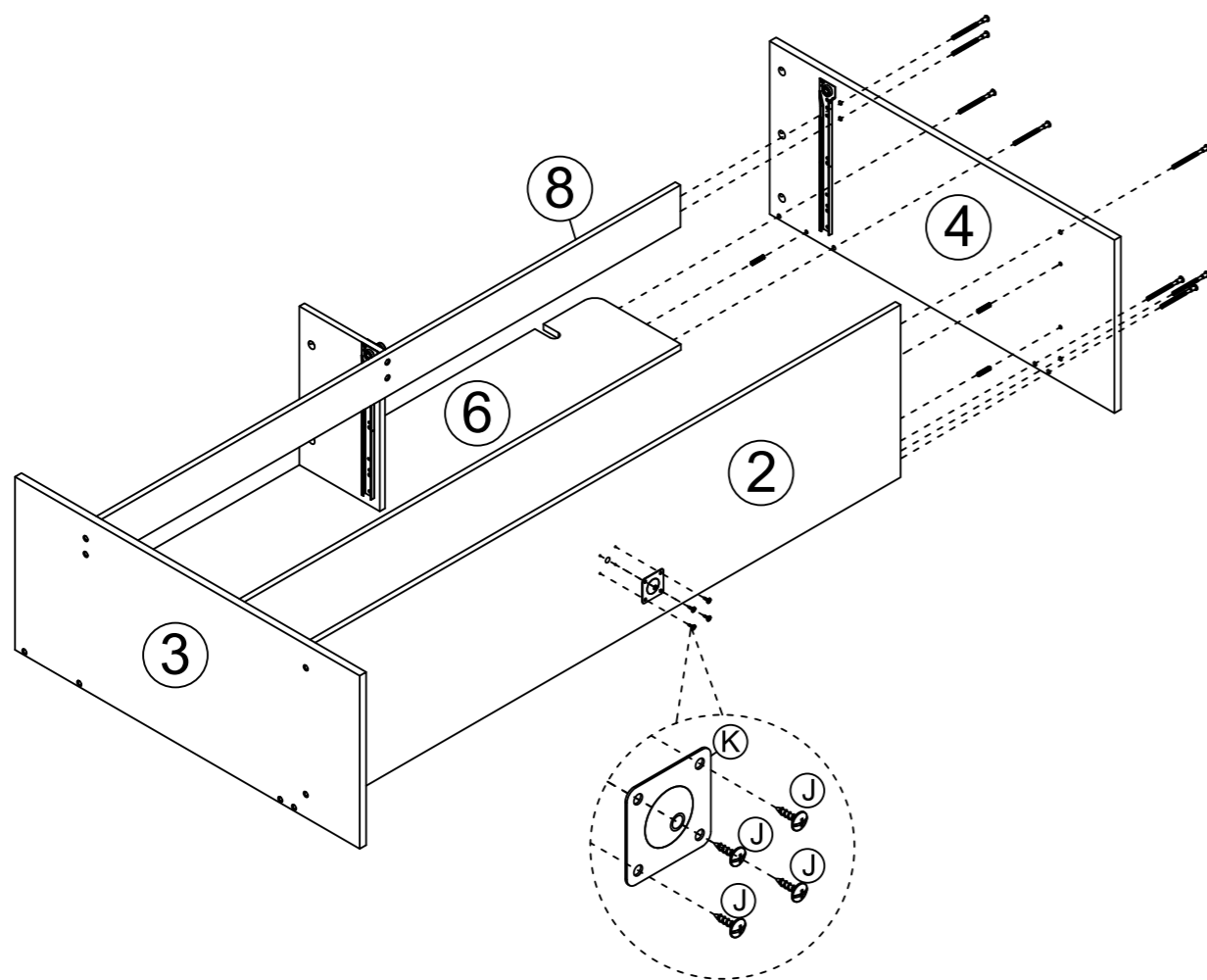
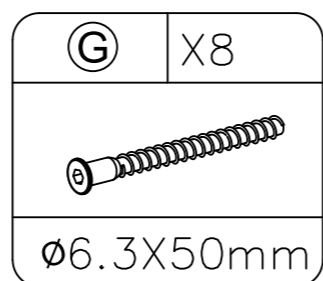
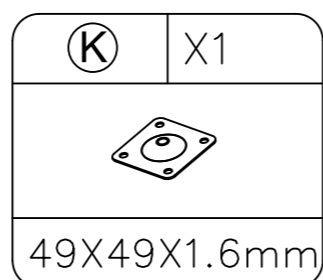
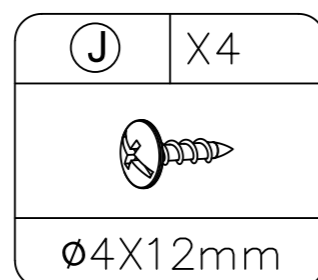
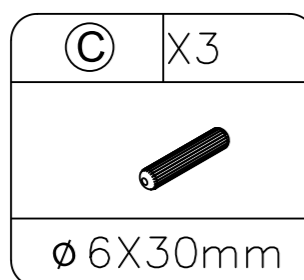
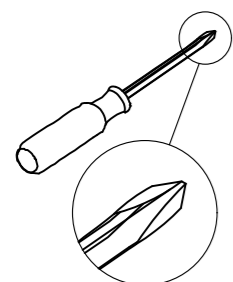
(G)	X8
ø6.3X50mm	

(C)	X3
ø6X30mm	



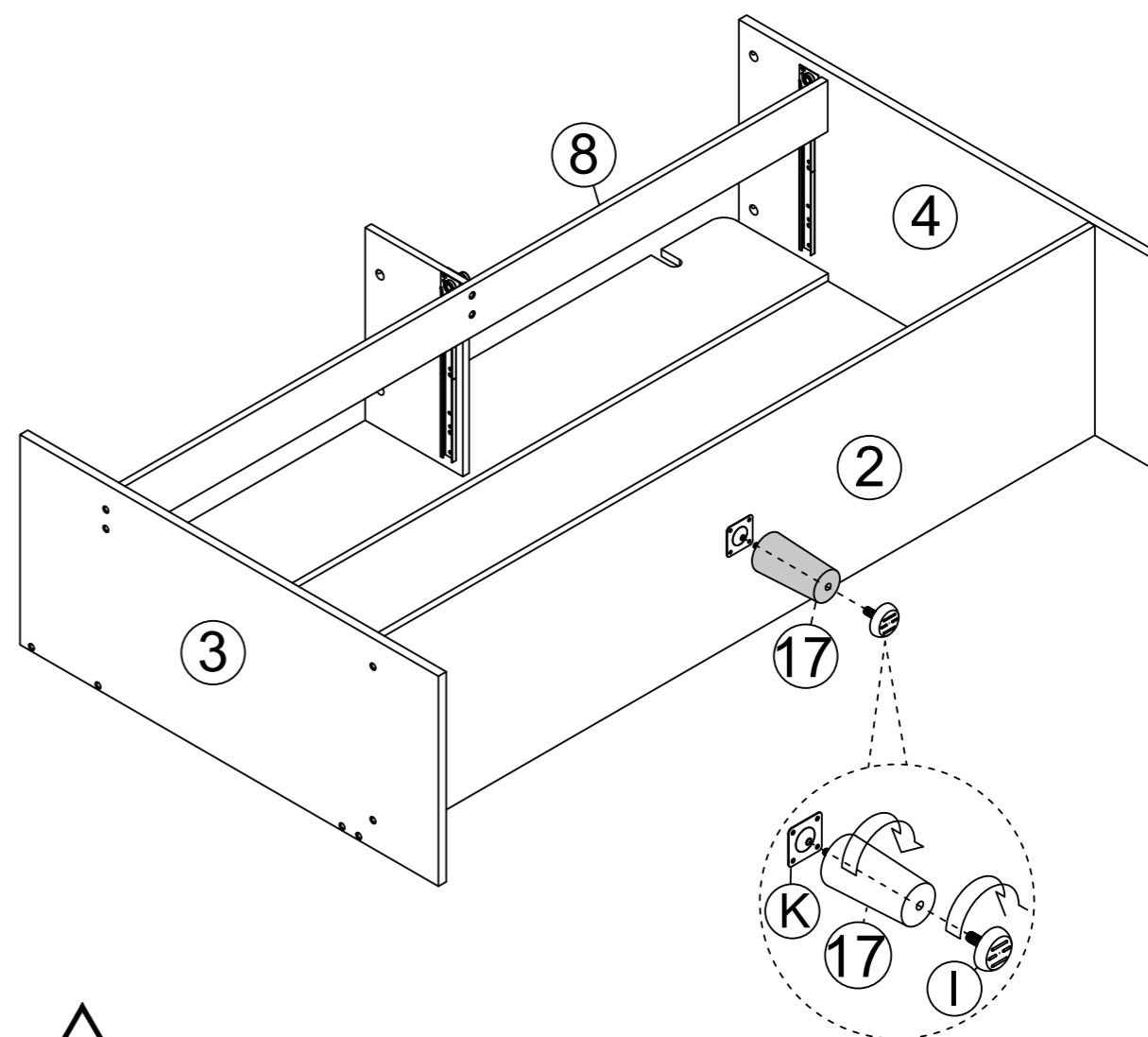
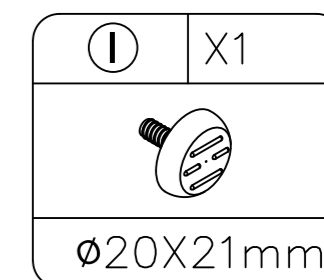
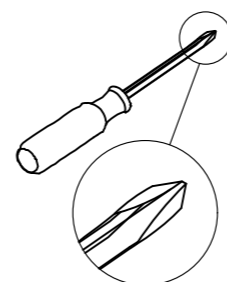
Use screws (G) and hardware (C) to connect panel (3) to panels (6), (2), and (8).

Step 9



Use screws (G) and hardware (C) to connect panel (4) to panels (6), (2), and (8). Then secure hardware (K) to panel (2) using screws (J).

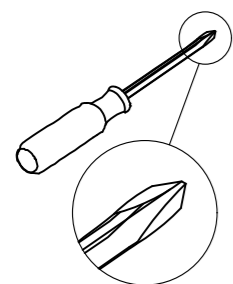
Step 10



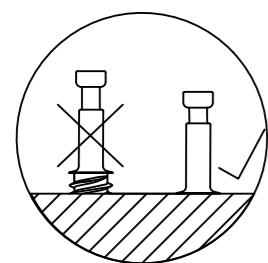
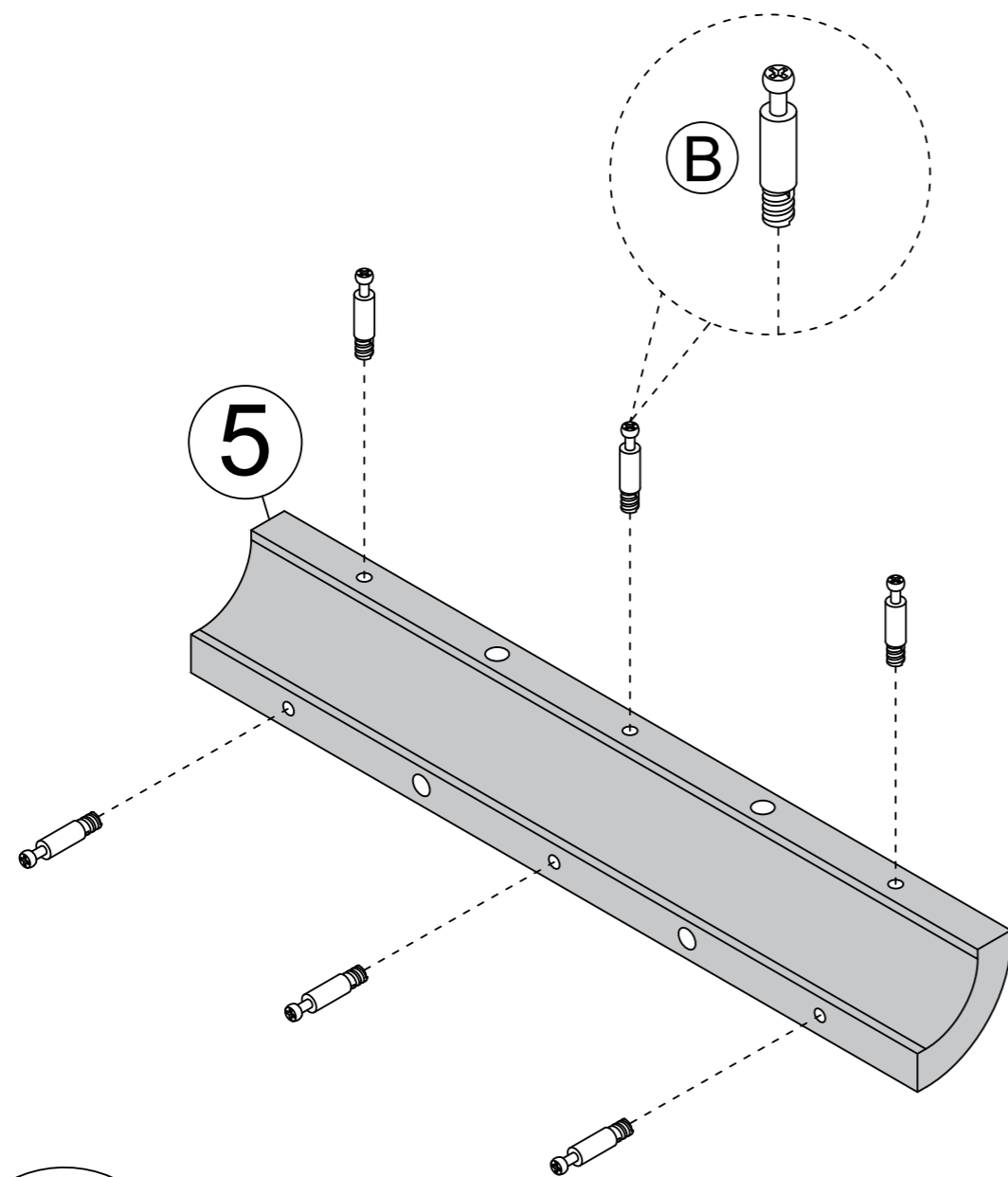
If the floor is uneven, adjust the height by rotating hardware (I).

Screw leg (17) clockwise into hardware (K).
Then screw hardware (I) clockwise onto the bottom of leg (17).

Step 11



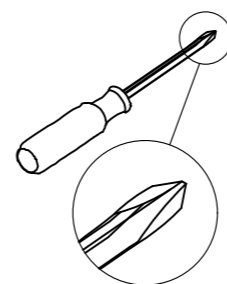
(B)	X12
Ø6.5X35mm	



Install cam bolts (B) into panel (5).

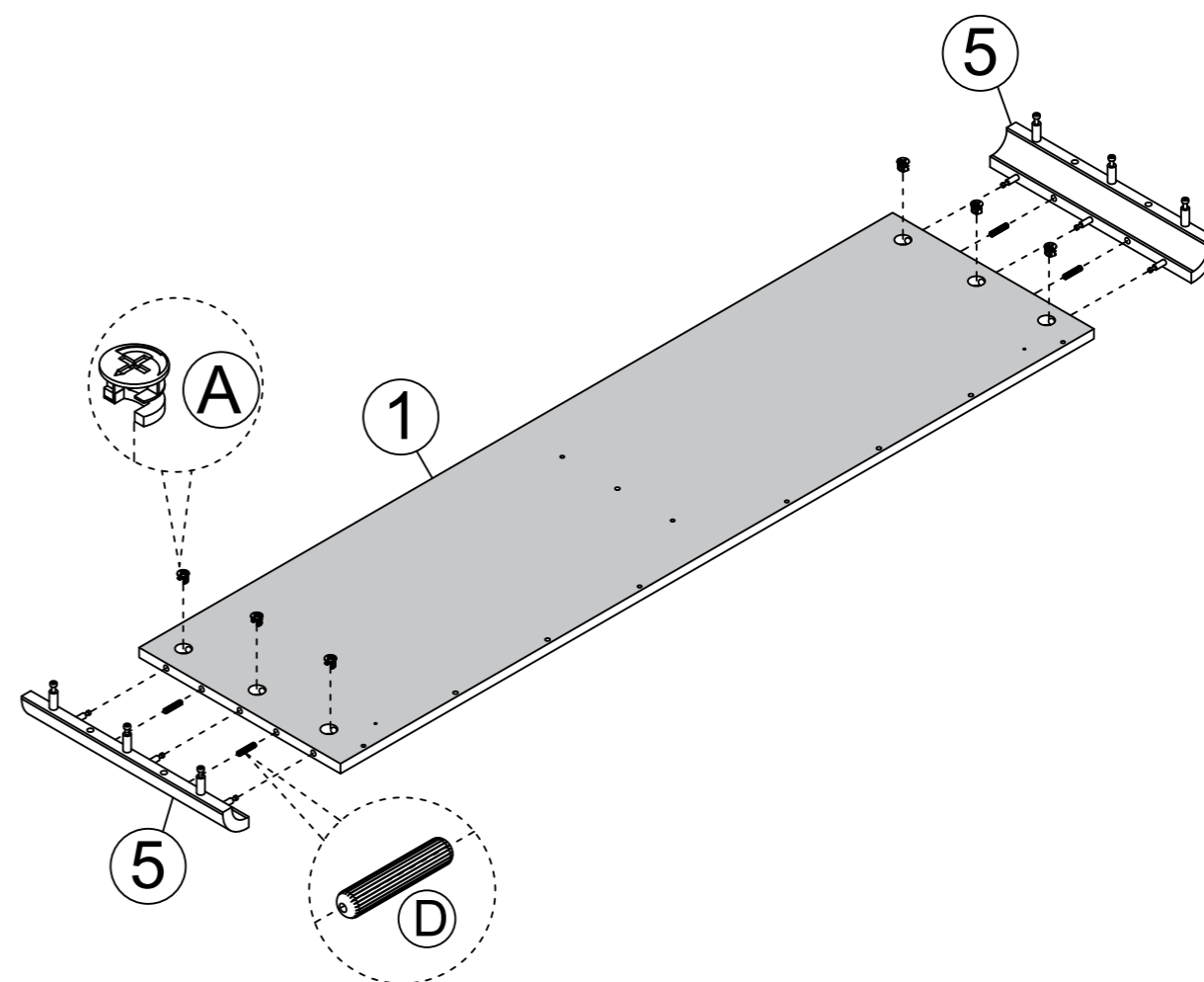
x2

Step 12



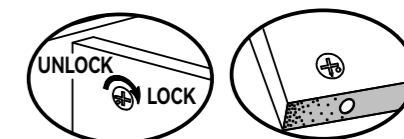
(A)	X6
Ø15X9.5mm	

(D)	X4
Ø8X30mm	



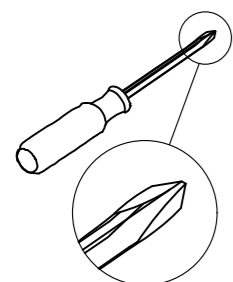
Attach panel (5) to panel (1)
using hardware (A) and (D).

Insert the cam bolt into
the hole first, then insert
the cam lock and lock it.



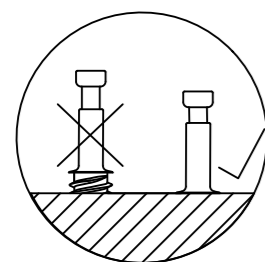
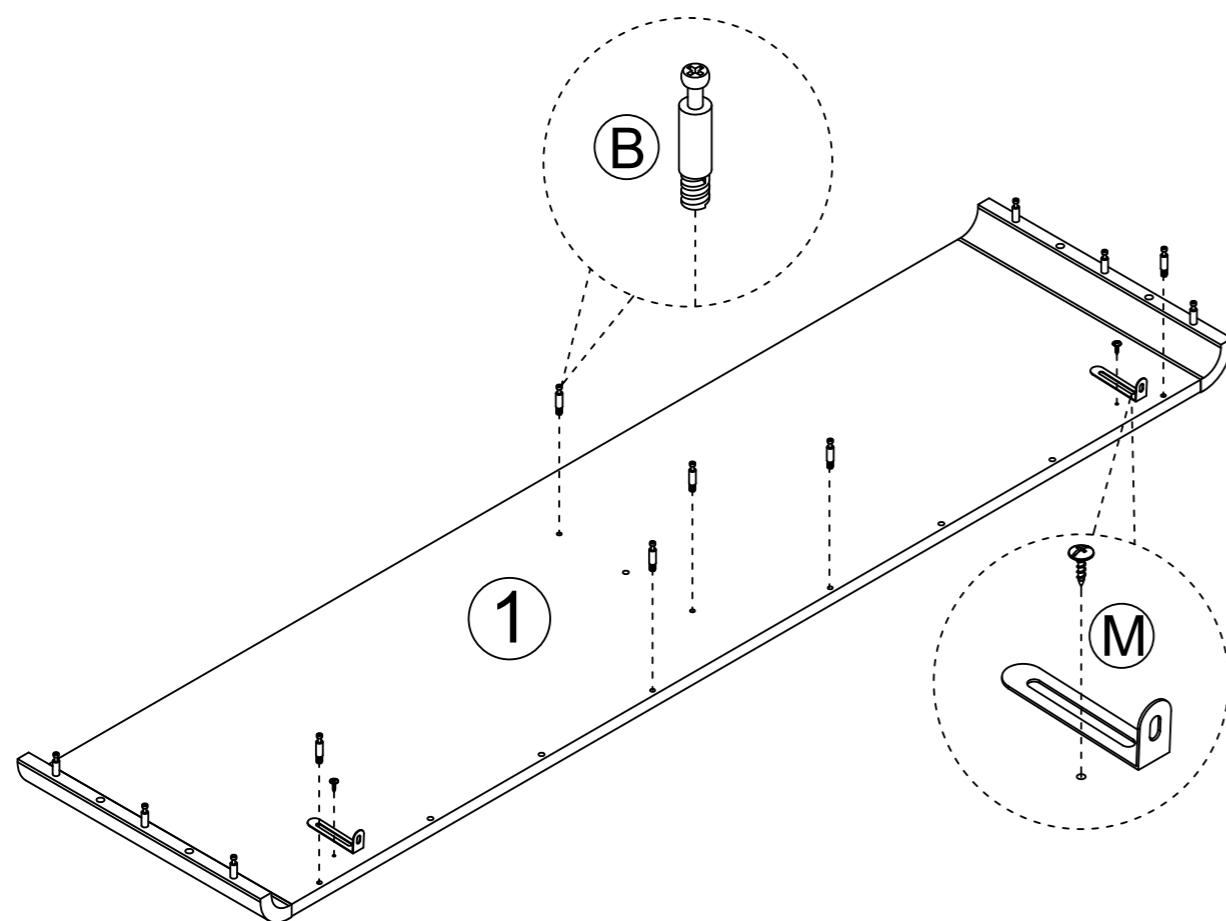
Proper orientation of CAM LOCK

Step 13



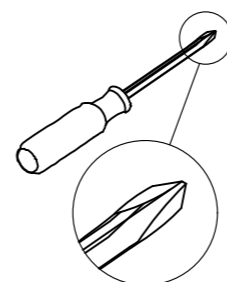
(B)	X6
Ø6.5X35mm	

(M)	X1Set



First install cam bolts (B) into panel (1), then attach hardware (M) to panel (1).

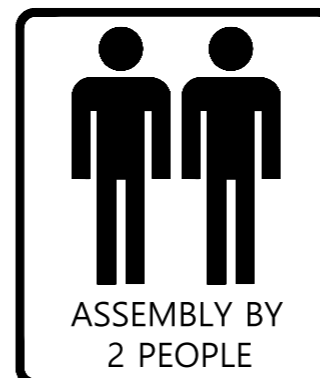
Step 14



(A)	X12
Ø15X9.5mm	

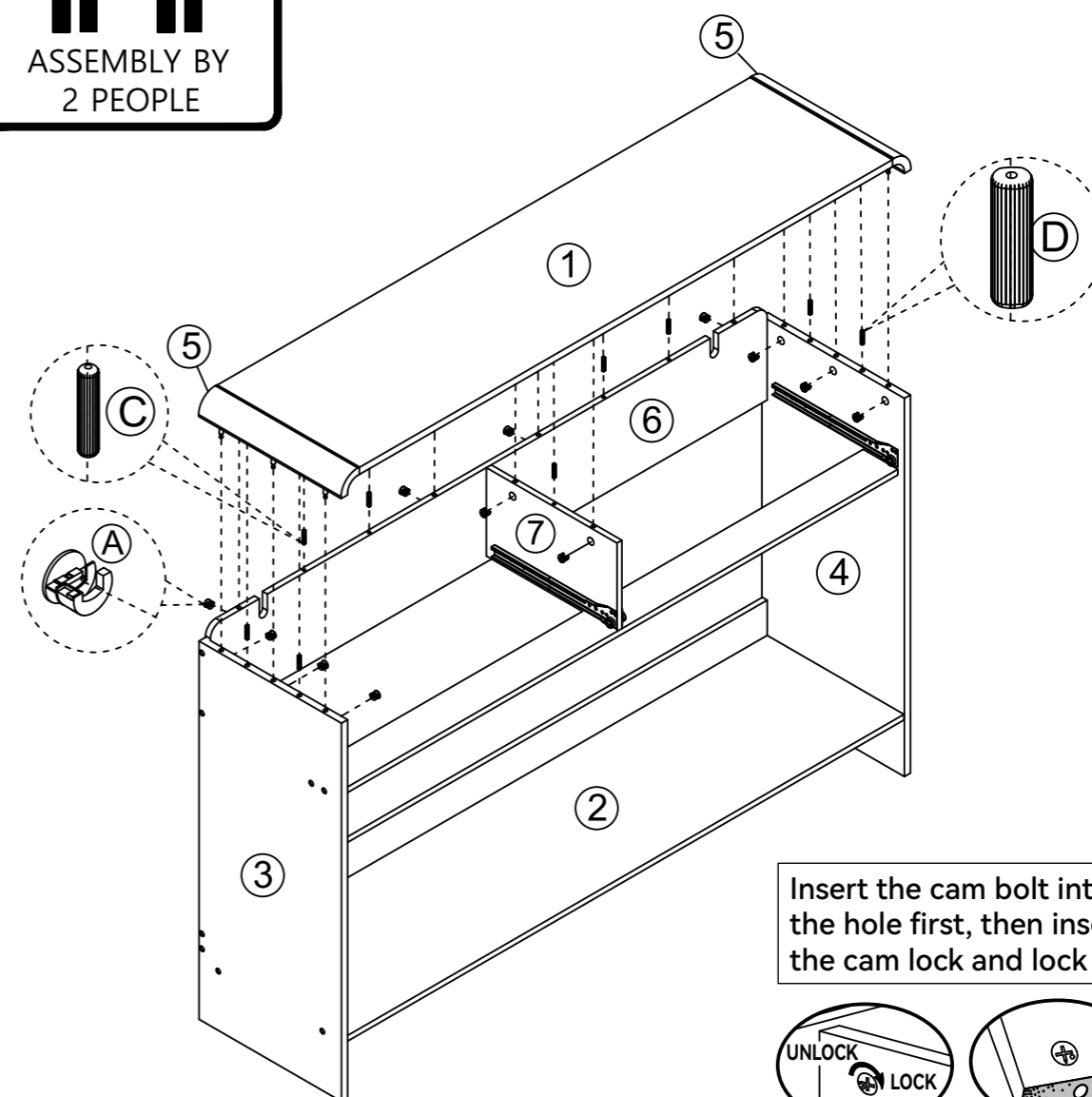
(C)	X5
Ø6X30mm	

(D)	X4
Ø8X30mm	

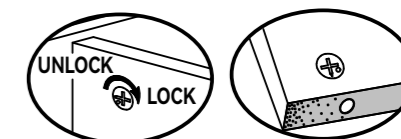


Use screws (A) with hardware (C) and (D) to attach panels (5) and (1) to panels (3), (4), (6), and (7).

Note: Use hardware (C) on panels (6) and (7), and hardware (D) on panels (3) and (4).

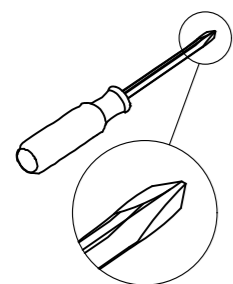


Insert the cam bolt into the hole first, then insert the cam lock and lock it.

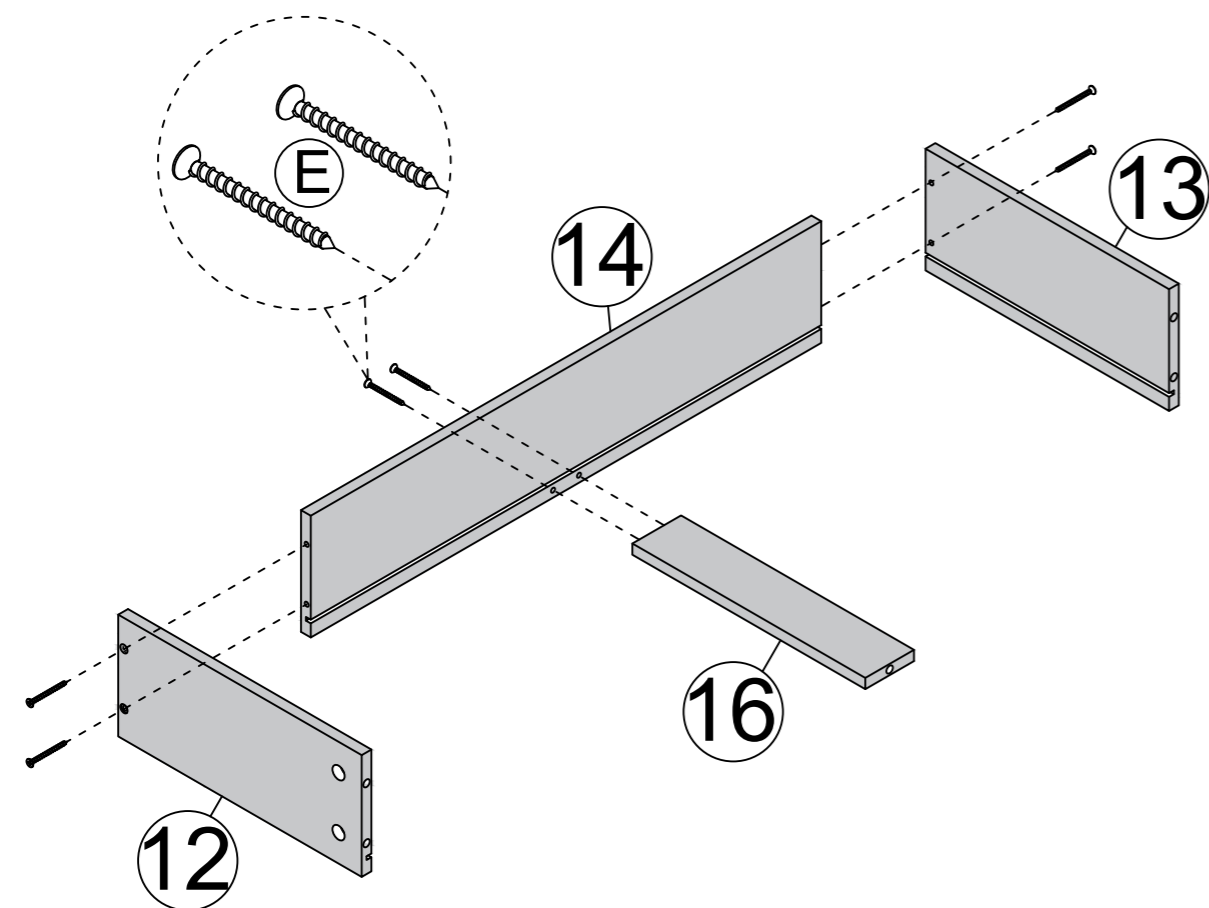


Proper orientation of CAM LOCK

Step 15



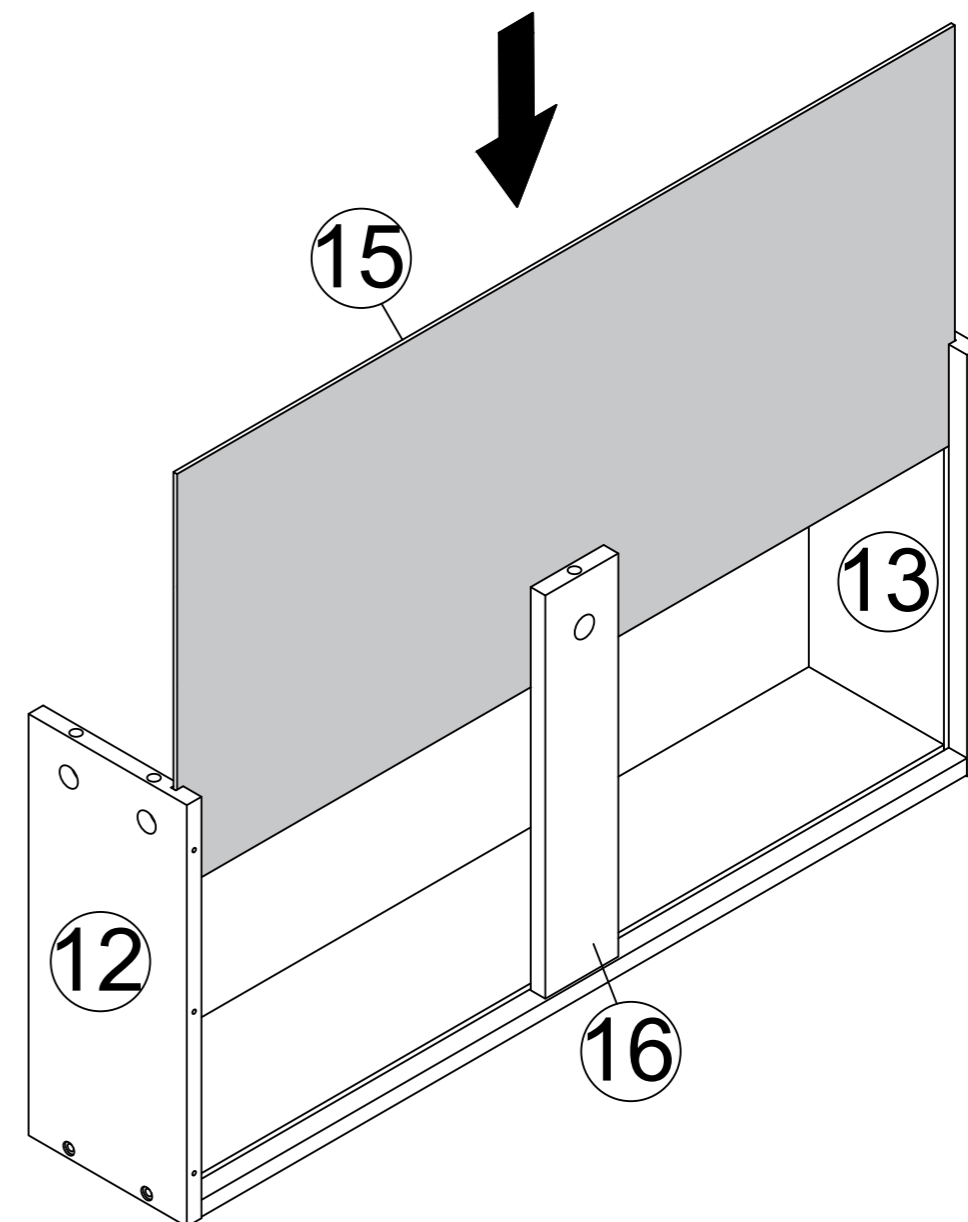
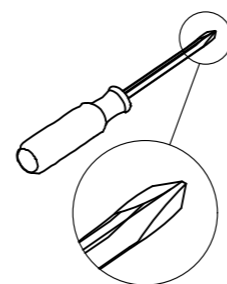
(E)	X12
Ø4X35mm	



Use screws (E) to connect panels (12), (13), (14), and (16).

x2

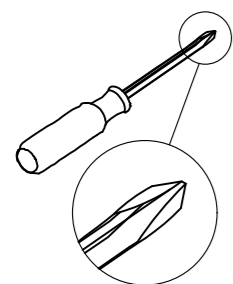
Step 16



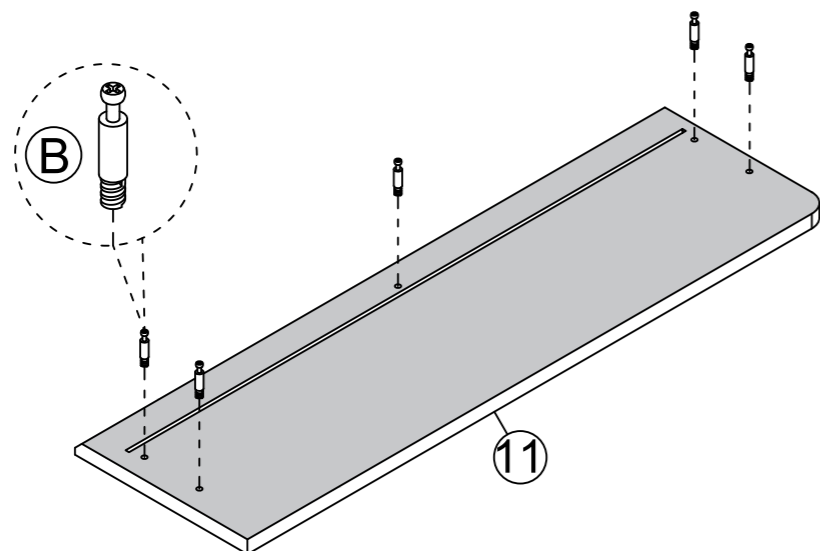
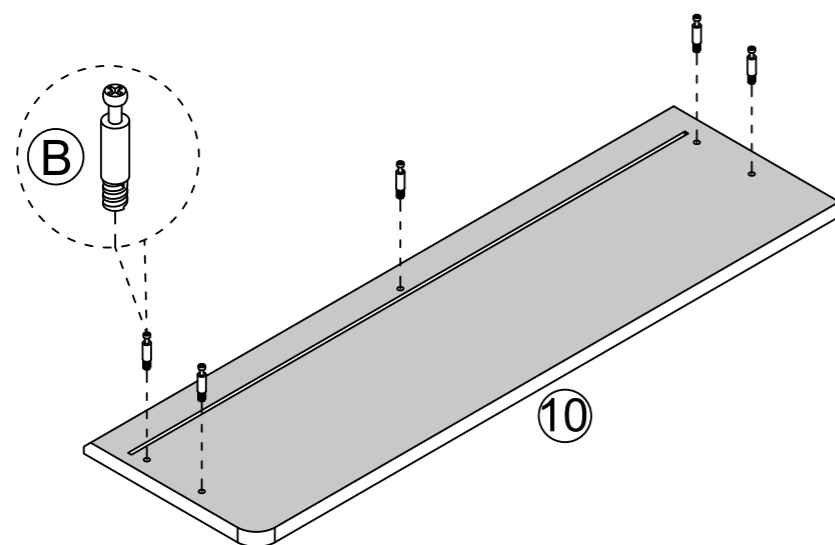
Insert panel (15) into the slots of panels (12) and (13).

x2

Step 17

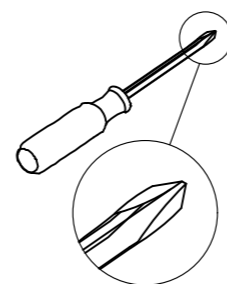


(B)	X10
ø6.5X35mm	

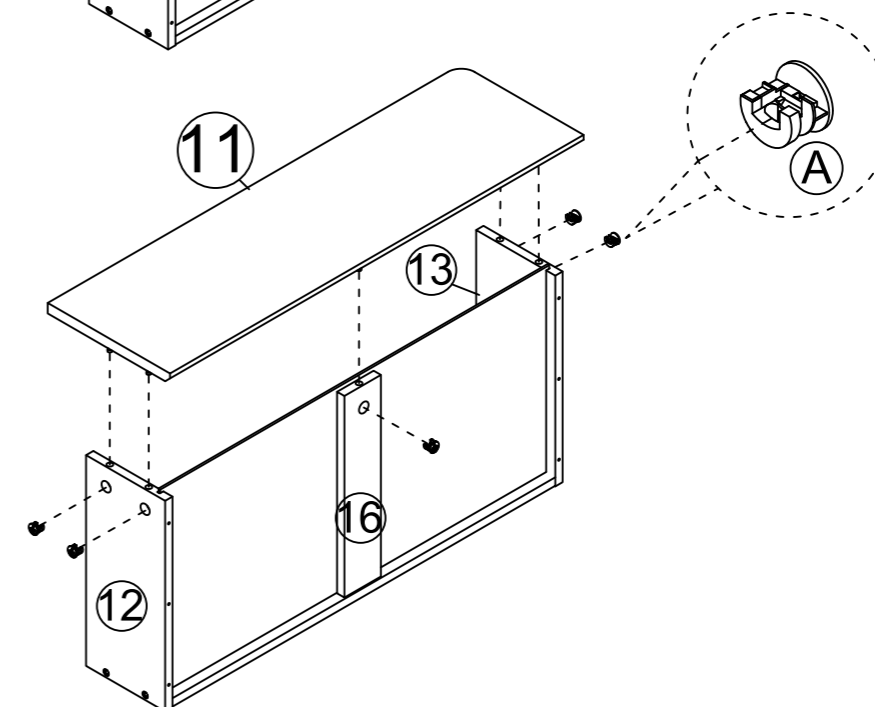
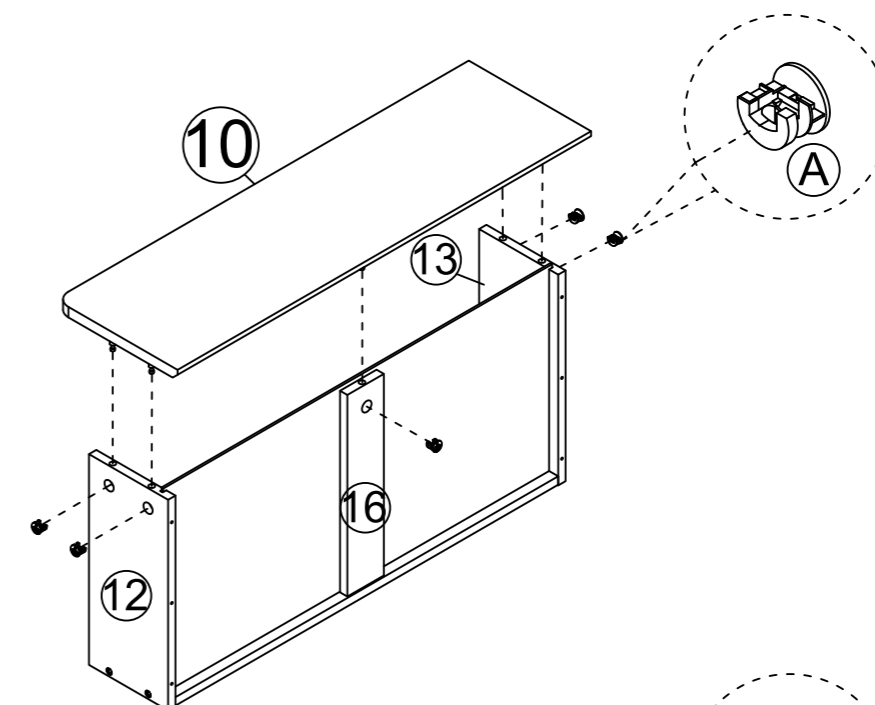


Install cam bolts (B) into panels (10) and (11).

Step 18

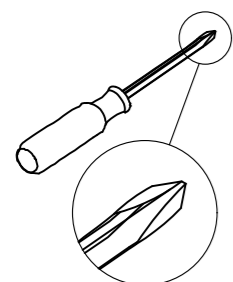


(A)	X10
ø15X9.5mm	



Use hardware (A) to secure drawer fronts (10) and (11) to panels (12), (13), and (16).

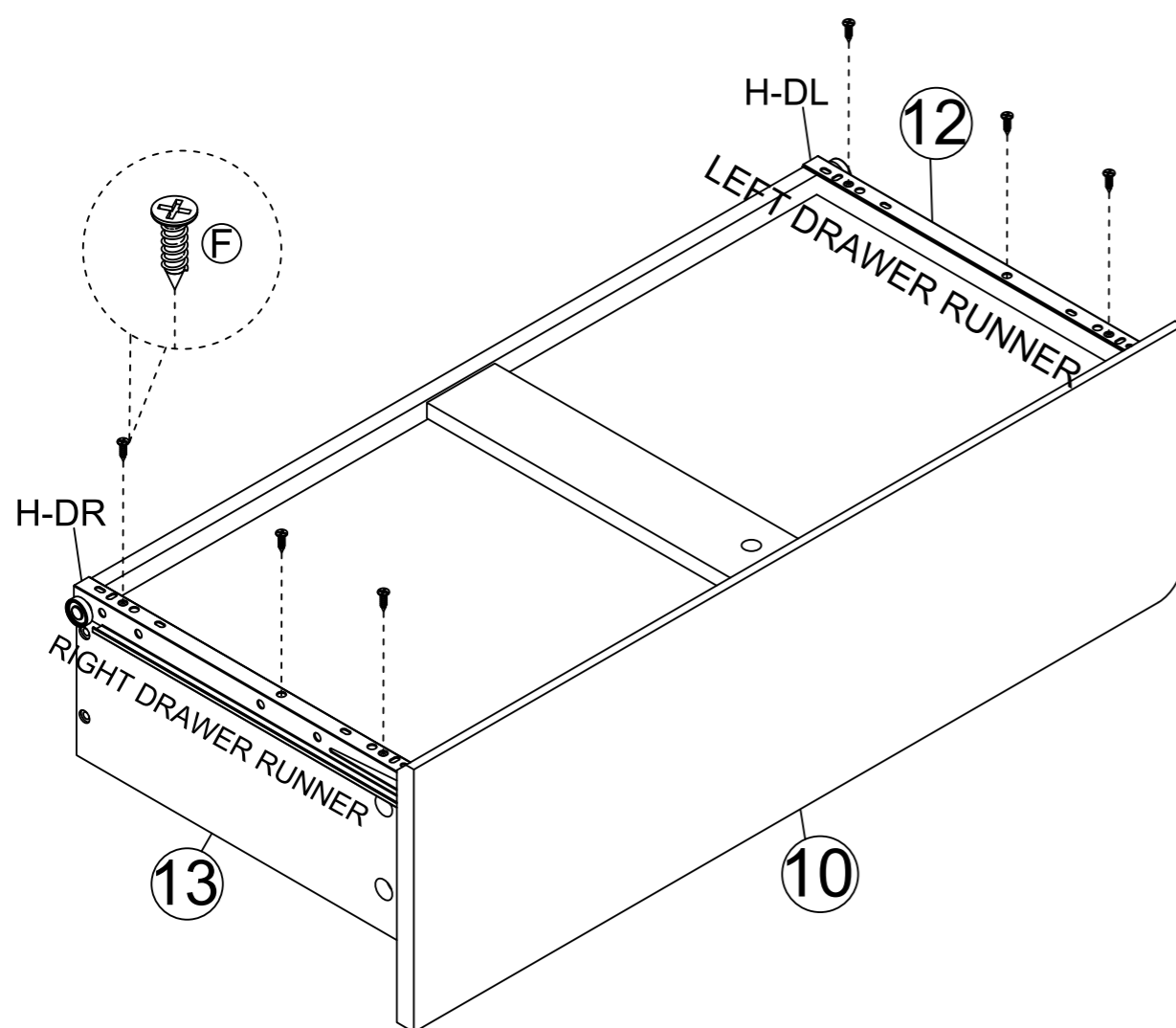
Step 19



(F)	X6
Ø3.5X12mm	

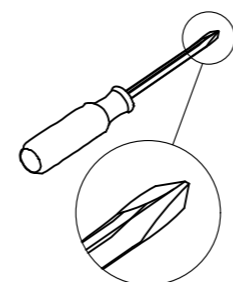
H-DL	X1
L=300mm	

H-DR	X1
L=300mm	



Attach hardware (H-DL) and (H-DR) to panels (12) and (13) using screws (F).

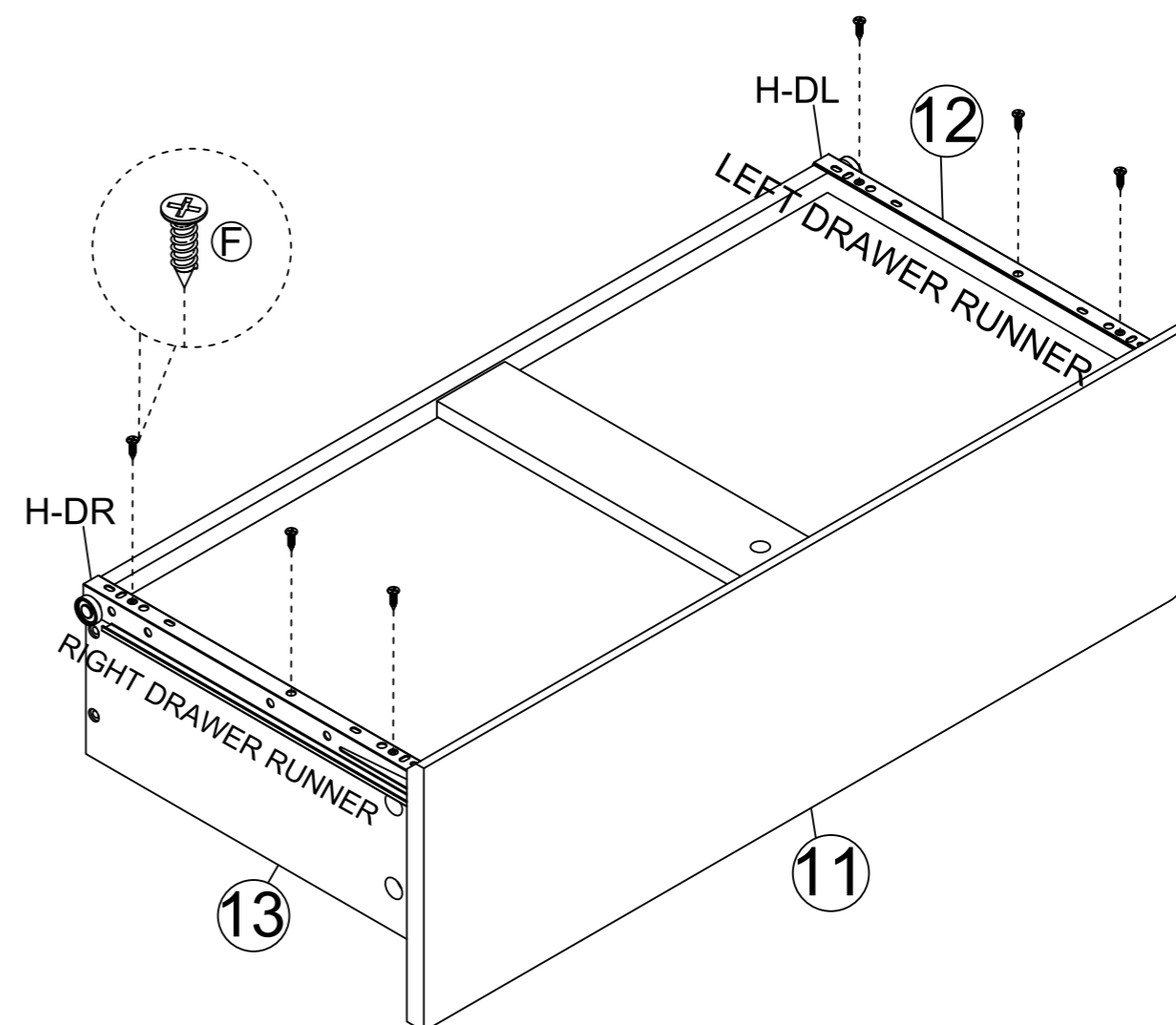
Step 20



(F)	X6
Ø3.5X12mm	

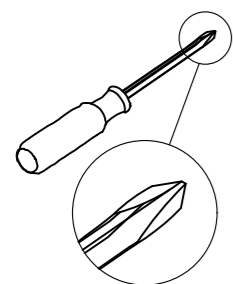
H-DL	X1
L=300mm	

H-DR	X1
L=300mm	

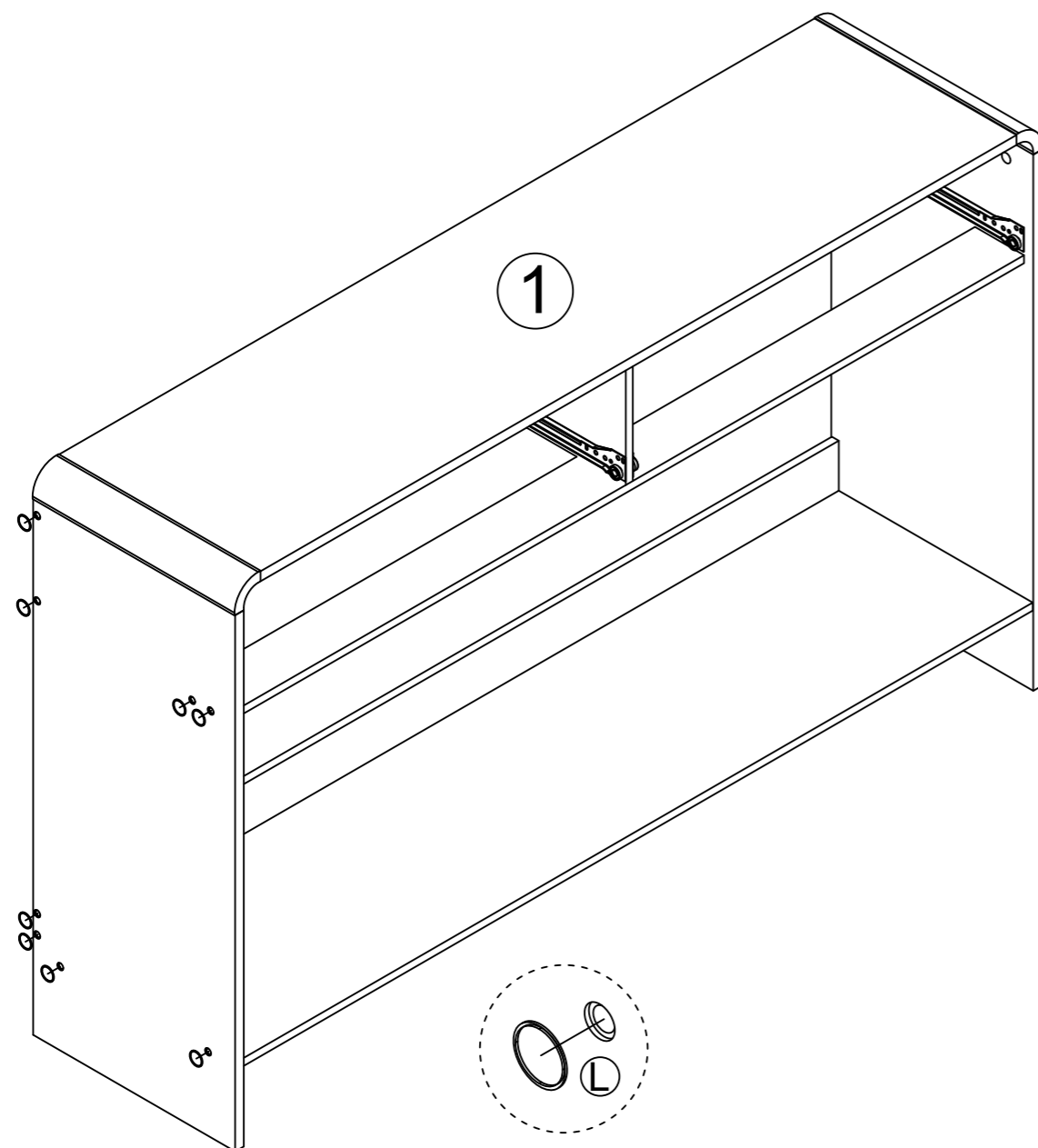


Attach hardware (H-DL) and (H-DR) to panels (12) and (13) using screws (F).

Step 21

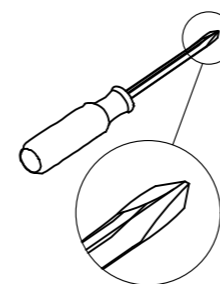


(L)	X52
Ø21mm	



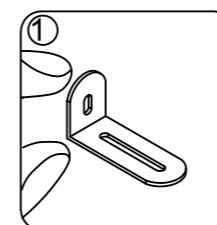
Use 52 cover stickers (L) to cover the exposed screws (A) and (G).

Step 22

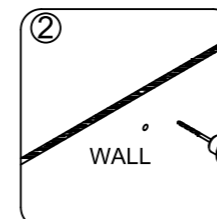


(M)	X1Set

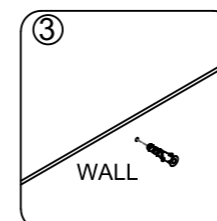
Install the tipping restraint hardware



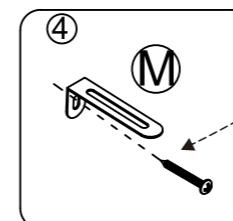
1. make mark on the wall



2. drill two Ø6mm holes on the wall



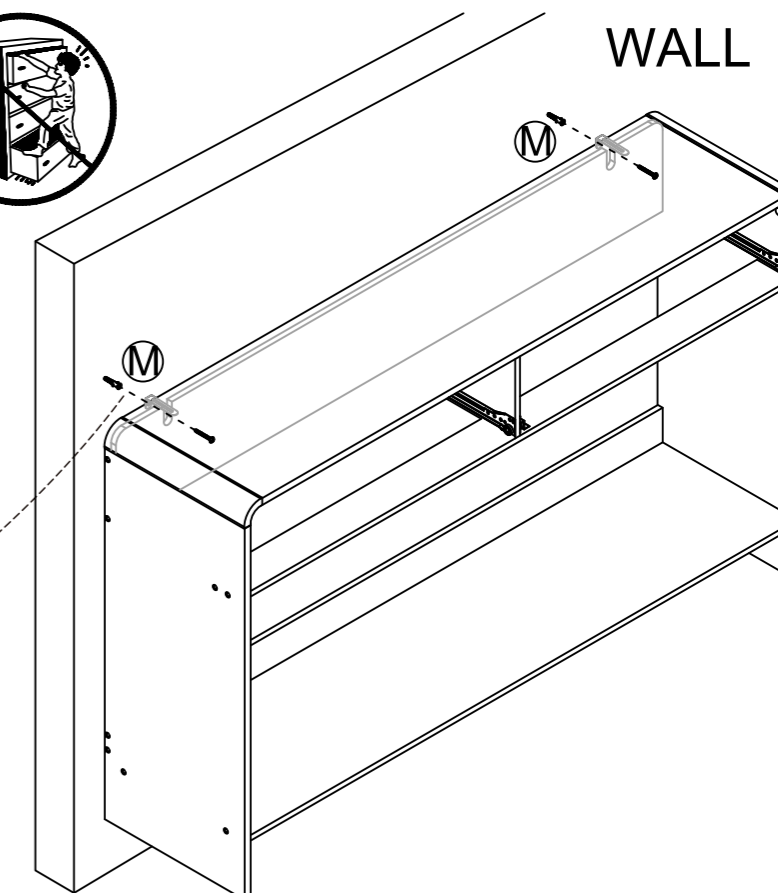
3. put two anchors in the holes



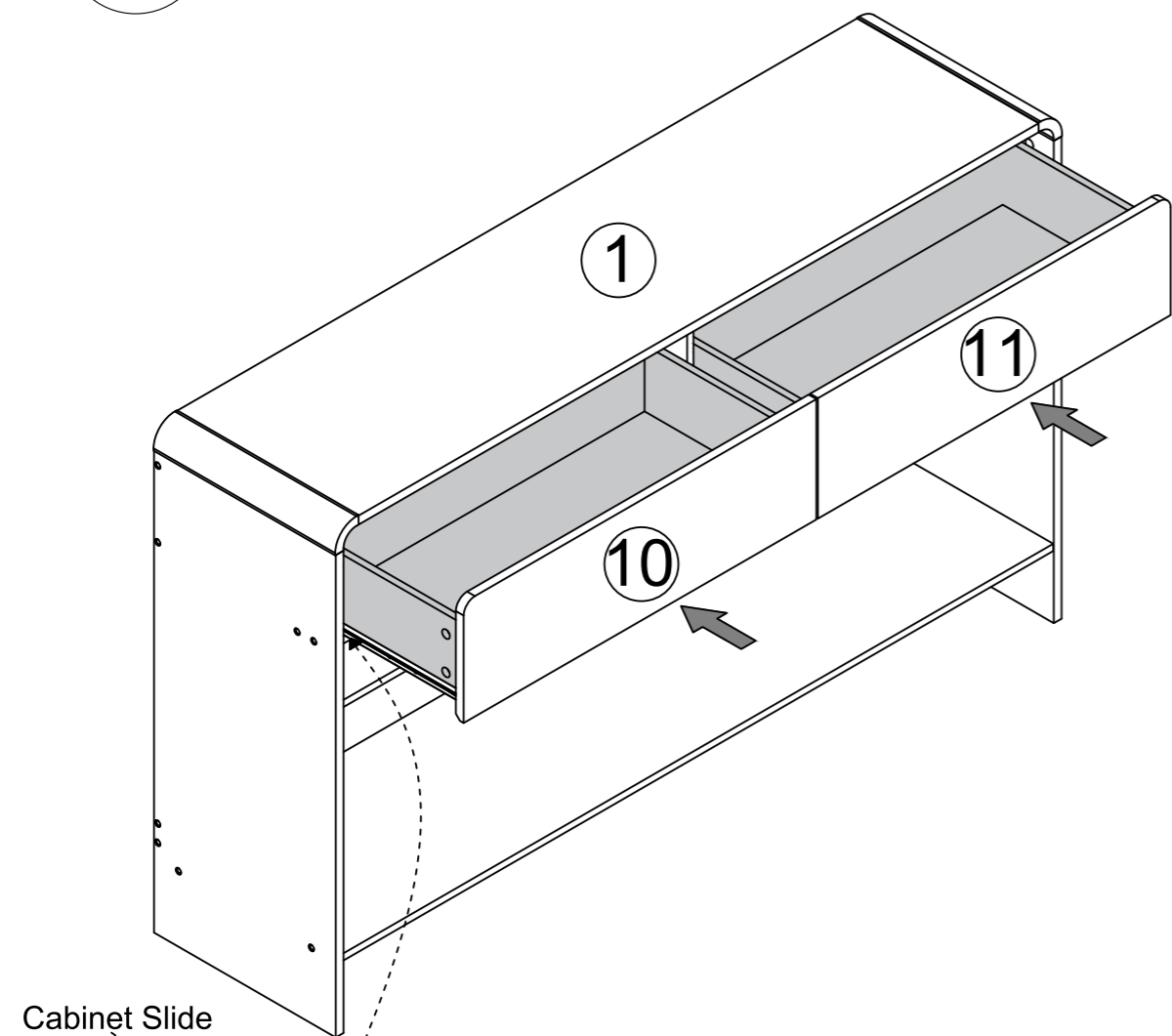
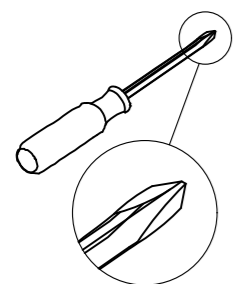
4. fix the device on the wall by the long screws



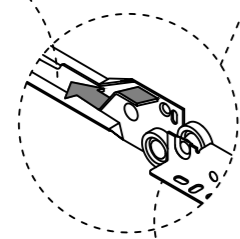
WARNING: The included anti-tip hardware is intended for use with wood-stud walls only. It must be secured to a wall stud. Depending on your wall type, different anchors may be required. Contact your local hardware store for assistance. Young children can be seriously injured or killed if furniture tips over. You must install the included anti-tip hardware to help prevent the unit from tipping and causing injury or damage. This anti-tip restraint is not a substitute for proper adult supervision. It is not designed for earthquake protection. If additional anti-earthquake protection is needed, it must be purchased and installed separately.



Step 23



Cabinet Slide



Drawer Slide

Insert drawers (10) and (11) in order to complete the assembly.