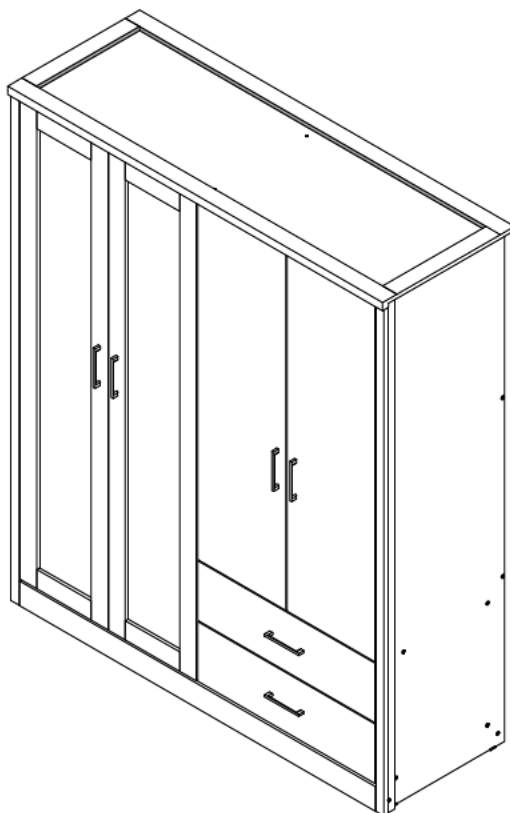


LIGHT OAK EFFECT VENEER 4 DOOR 2 DRAWER WARDROBE ASSEMBLY INSTRUCTIONS



IMPORTANT

PLEASE READ BEFORE YOU CONTINUE FURTHER FOR DOMESTIC USE ONLY

THE PRODUCT YOU HAVE PURCHASED WILL GIVE YOU MANY YEARS OF SERVICE IF YOU FOLLOW THE GUIDELINES FOR ITS SAFE ASSEMBLY AND PERIODIC MAINTENANCE AND CLEANING.

ASSEMBLE ON A SOFT CLEAN SURFACE.

DO NOT USE ANY TOOLS OTHER THAN THOSE SHOWN.

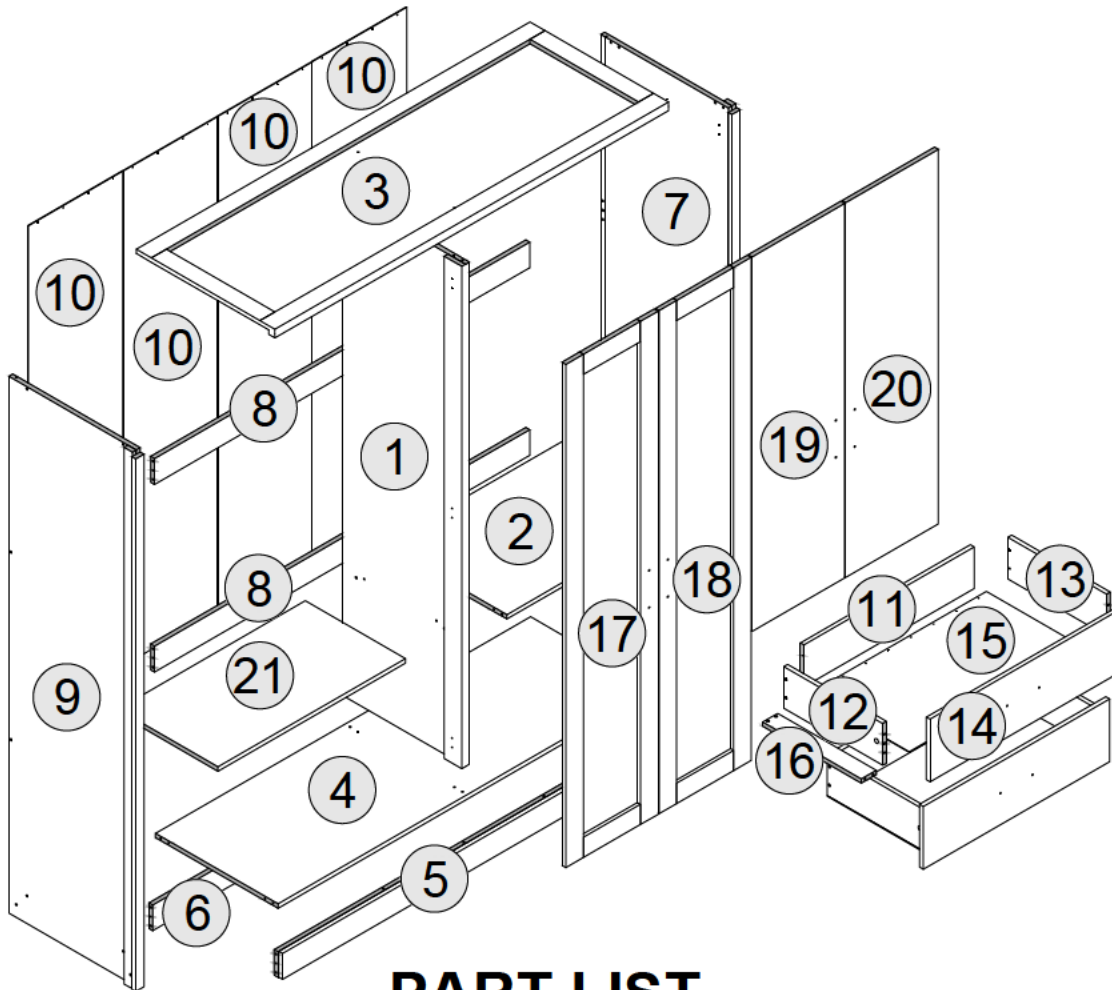
ANY SPANNERS OR ALLEN KEYS REQUIRED ARE INCLUDED WITH THE FITTINGS KIT.

DO NOT FOR ANY REASON USE A POWER TOOL TO ASSEMBLE THIS PRODUCT. ITS USE WILL INVALIDATE ANY CLAIM YOU MAY HAVE AND COULD MAKE THIS PRODUCT UNSAFE.

DEPENDING ON THE AMOUNT OF USE THIS PRODUCT RECEIVES IT MAY BE NECESSARY TO TIGHTEN UP THE FIXINGS FROM TIME TO TIME. THIS IS COMPLETELY NORMAL FOR ANY FLAT PACK FURNITURE. DO NOT OVERTIGHTEN FIXING.

FOR CLEANING, YOU MAY USE A DAMP CLOTH (NOT WET) DO NOT USE POLISH, DETERGENT OR CHEMICAL CLEANERS.



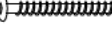
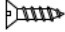

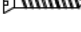








THE SURFACE OF THIS ITEM IS NOT HEAT RESISTANT. ALWAYS USE A PLACE MAT UNDER HOT OR COLD ITEMS TO PREVENT MARKING.




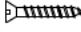


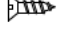



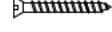
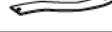



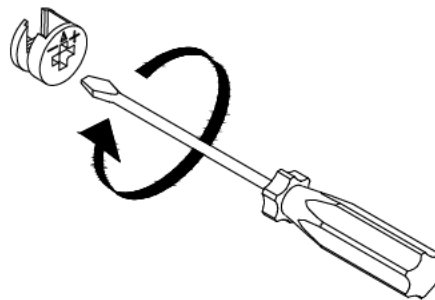
PART LIST

<u>Part Number</u>	<u>Part Code</u>	<u>Part Description</u>	<u>Quantity</u>	<u>Carton</u>
1	S100-101-122-101-EU1-01	Centre Panel	1	2/4
2	S100-101-122-101-EU1-02	Shelf Panel- Right	1	3/4
3	S100-101-122-101-EU1-03	Top Panel	1	3/4
4	S100-101-122-101-EU1-04	Base Panel	1	3/4
5	S100-101-122-101-EU1-05	Base Front Apron	1	2/4
6	S100-101-122-101-EU1-06	Base Back Apron	1	2/4
7	S100-101-122-101-EU1-07	Right Side Panel	1	1/4
8	S100-101-122-101-EU1-08	Back Crossbars	2	3/4
9	S100-101-122-101-EU1-09	Left Side Panel	1	1/4
10	S100-101-122-101-EU1-10	Back Panel	4	1/4 & 4/4
11	S100-101-122-101-EU1-11	Drawer Back	2	2/4
12	S100-101-122-101-EU1-12	Drawer Side - Left	2	3/4
13	S100-101-122-101-EU1-13	Drawer Side - Right	2	3/4
14	S100-101-122-101-EU1-14	Drawer Front	2	2/4
15	S100-101-122-101-EU1-15	Drawer Base	2	2/4
16	S100-101-122-101-EU1-16	Drawer Bottom Support Rail	2	3/4
17	S100-101-122-101-EU1-17	Mirror Door Panel - Left	1	4/4
18	S100-101-122-101-EU1-18	Mirror Door Panel - Right	1	4/4
19	S100-101-122-101-EU1-19	Small Door Panel - Left	1	4/4
20	S100-101-122-101-EU1-20	Small Door Panel - Right	1	4/4
21	S100-101-122-101-EU1-21	Shelf Panel- Left	1	2/4

HARDWARE LIST

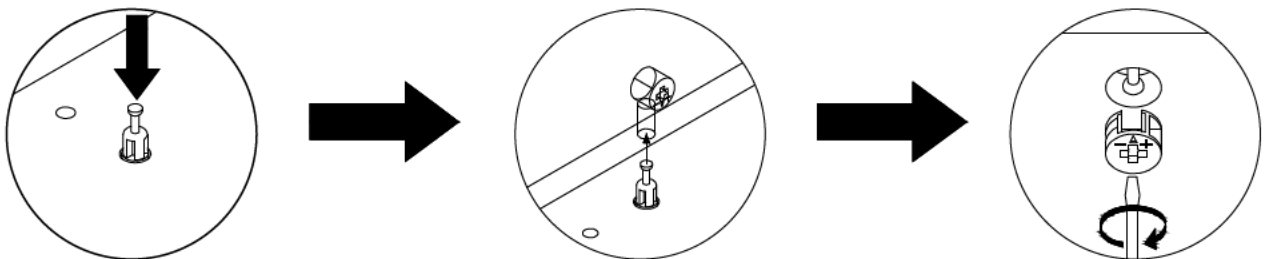
A		DOWEL 6x30MM	50 PCS
B		BOLT M6x50MM	18 PCS
C		BOLT M7x60MM	2 PCS
D		SCREW M3.5x16MM	44 PCS
E		TACK	48 PCS
F		SCREW M4 X 38MM	8 PCS
G		HANDLE	6 PCS
H		TAPPING SCREW M8 X 12MM	24 PCS
I		HANGING RAIL SUPPORT	4 PCS
J		HANGING RAIL (A&B)	2 PCS
K		PLASTIC H STRIP	3 PCS
L		SHELF SUPPORT	4 PCS
M		PVC STOPPER	2 PCS
N		HINGES 7/8	6 PCS

O		HINGES 5/8	6 PCS
P		DRAWER RUNNER A (L&R)	4 PCS
Q		DRAWER RUNNER B (L&R)	4 PCS
R		SCREW M4 X 30MM	4 PCS
S		HANDLE SCREW 19MM	12 PCS
T		ALLEN KEY	1 PC
U		SCREW M3.5x12MM	24 PCS
V		CAM BOLT+CAM NUT	4 SETS
W		PLASTIC FOOT	5 PCS
X		PLASTIC FOOT	1 PC
Y		SCREW M4 X 50MM	4 PCS
Z		ANTI - TIP STRAP	2 PCS
Z1		SCREW M4 X 16MM	2 PCS



(SCREWDRIVER NOT PROVIDED)

USE A FLAT HEAD SCREWDRIVER TO TIGHTEN THE CAM NUTS. A QUARTER TURN CLOCKWISE IS ALL THAT IS NEEDED.



STEP 1 - PUSH CAM BOLT INTO INSERT

STEP 2 - ALIGN THE CAM BOLT WITH THE HOLE AND PUSH TOGETHER UNTIL FLUSH. (MAKE SURE THE ARROW OF THE CAM LOCK IS POINTING TOWARD ON THE EDGE OF THE PANEL.)

STEP 3 - THE HEAD OF THE BOLT GOES INTO THE WIDE MOUTH OF THE CAM LOCK. YOU THEN TURN THE LOCK SO THE NARROW PART CLOSES OVER THE BOLT.

STEP 1

PARTS REQUIRED

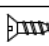
1 - CENTRE PANEL x1

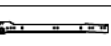
HARDWARE REQUIRED

A  04

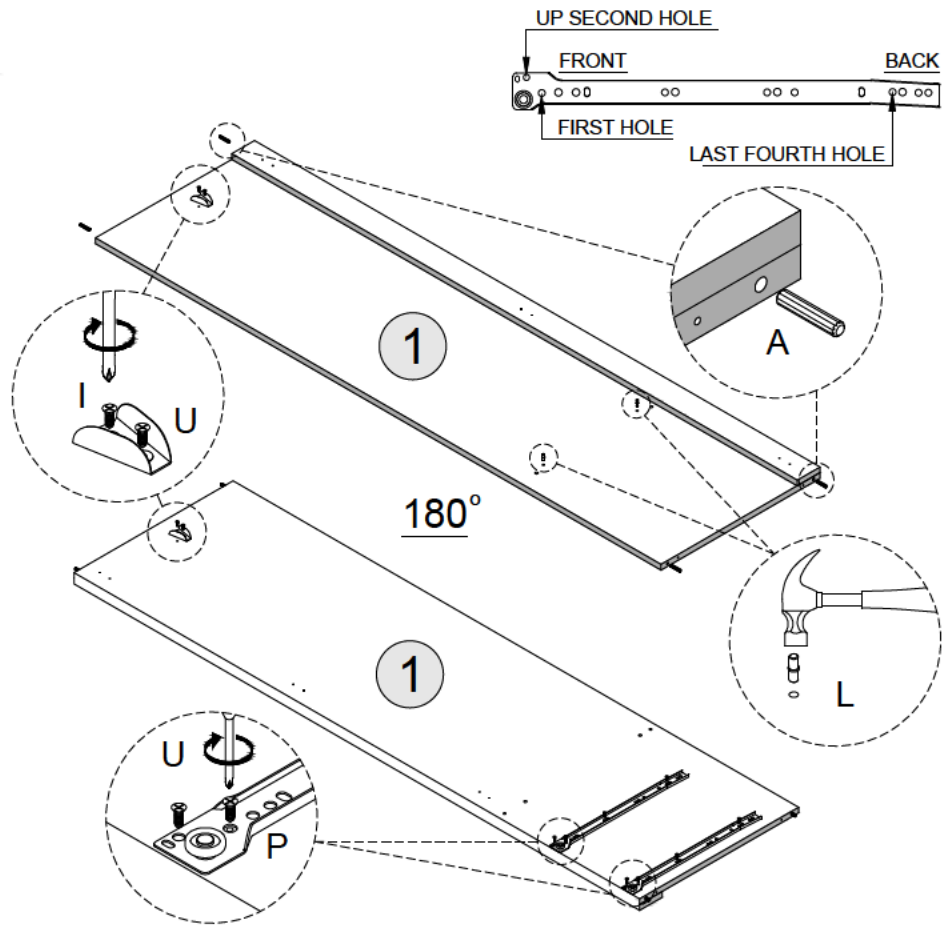
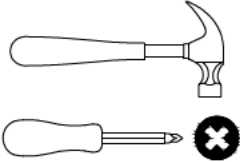
I  02

L  02

U  12

P  02

TOOLS REQUIRED



STEP 2

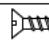
PARTS REQUIRED

2 - SHELF PANEL - RIGHT x1

3 - TOP PANEL x1

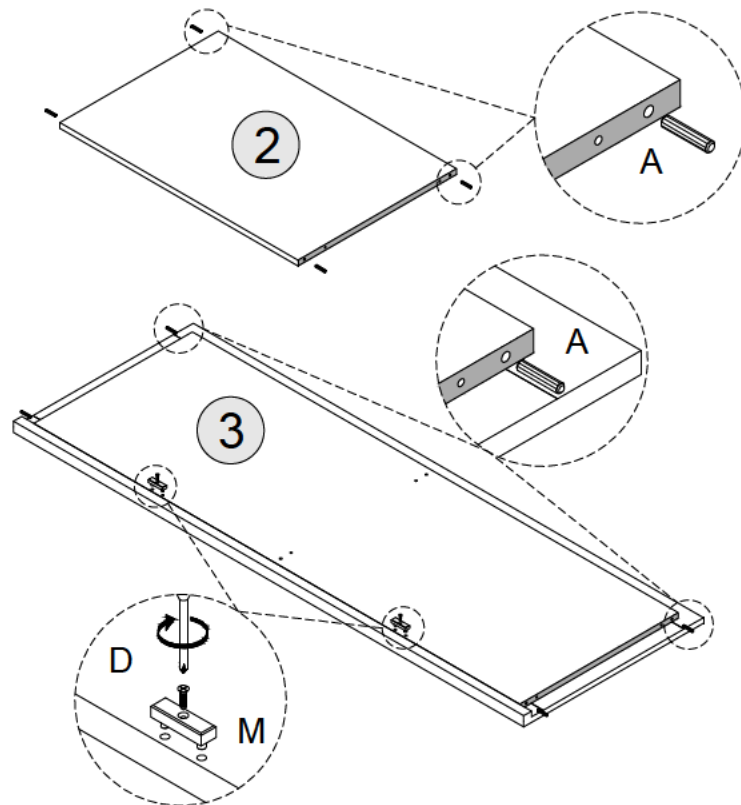
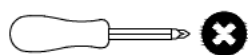
HARDWARE REQUIRED

A  08

D  02

M  02

TOOLS REQUIRED



STEP 3

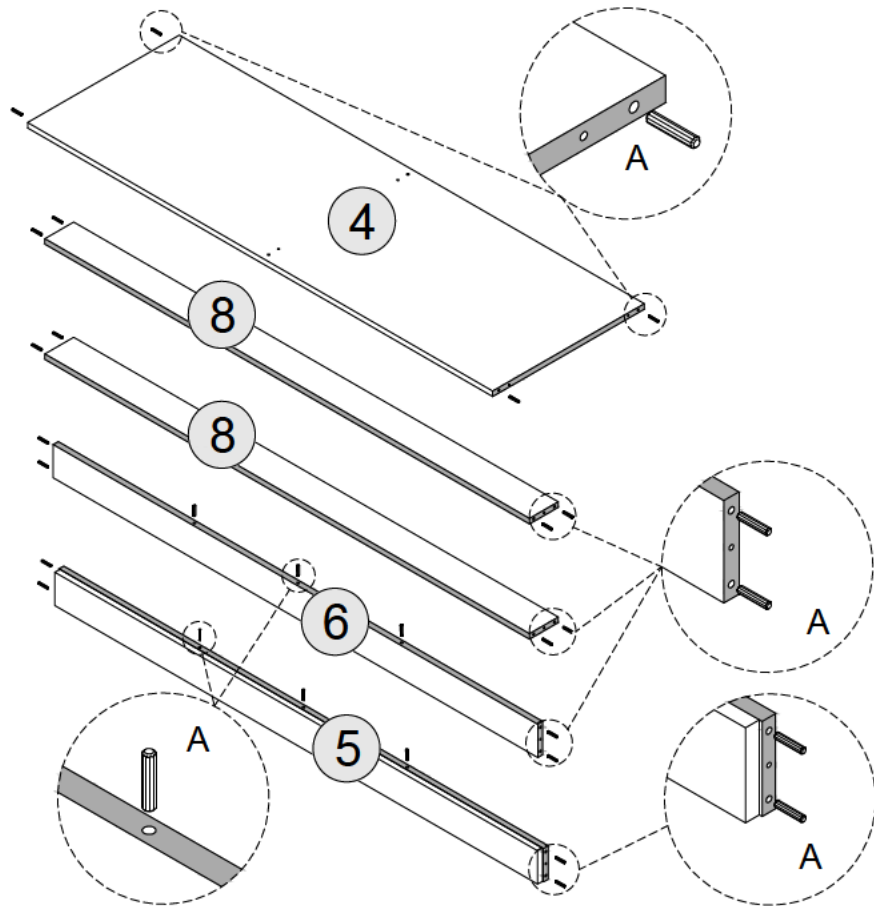
PARTS REQUIRED

4 - BASE PANEL	x1
5 - BASE FRONT APRON	x1
6 - BASE BACK APRON	x1
8 - BACK CROSSBARS	x2

HARDWARE REQUIRED

A		26
---	---	----

TOOLS REQUIRED



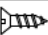
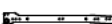


STEP 4

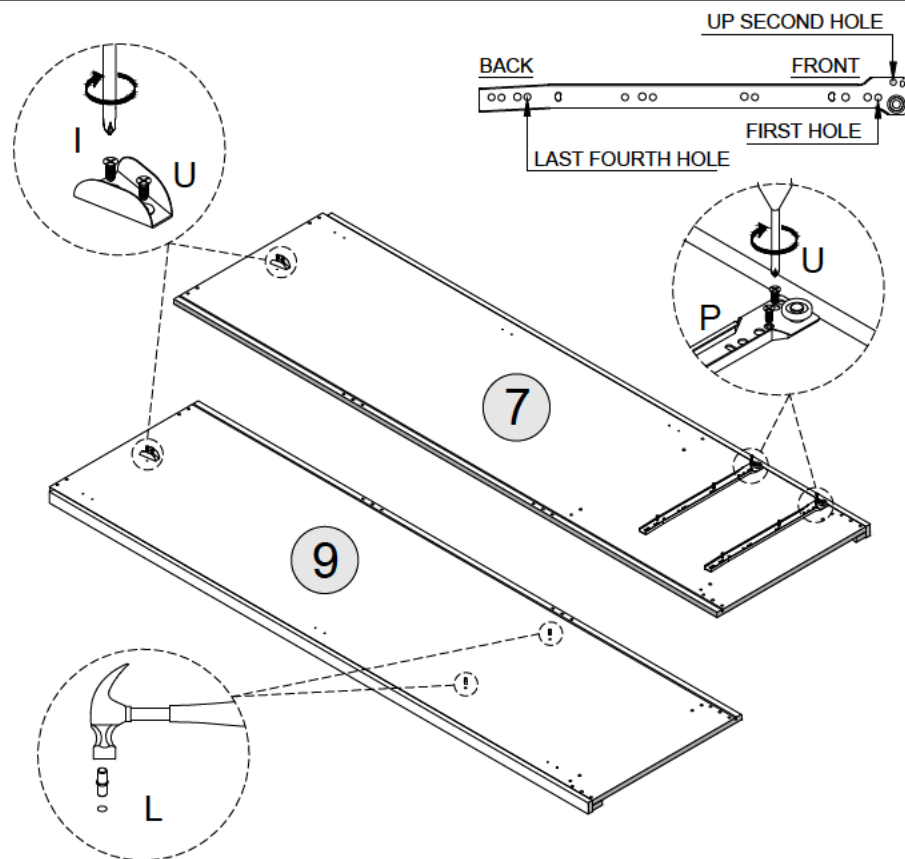
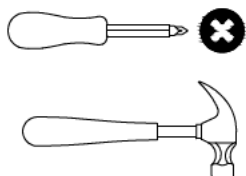
PARTS REQUIRED

7 - RIGHT SIDE PANEL	x1
9 - LEFT SIDE PANEL	x1

HARDWARE REQUIRED

I		02
L		02
U		12
P		02

TOOLS REQUIRED



STEP 5

PARTS REQUIRED

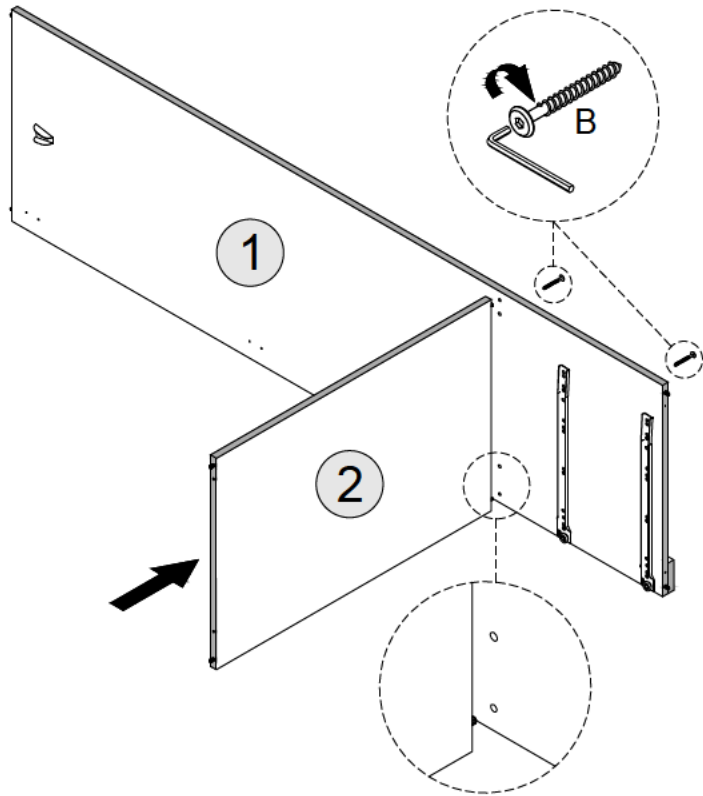
1 - CENTRE PANEL x1

2 - SHELF PANEL - RIGHT x1

HARDWARE REQUIRED

B  02

TOOLS REQUIRED

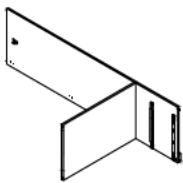


STEP 6

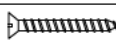
PARTS REQUIRED

3 - TOP PANEL x1

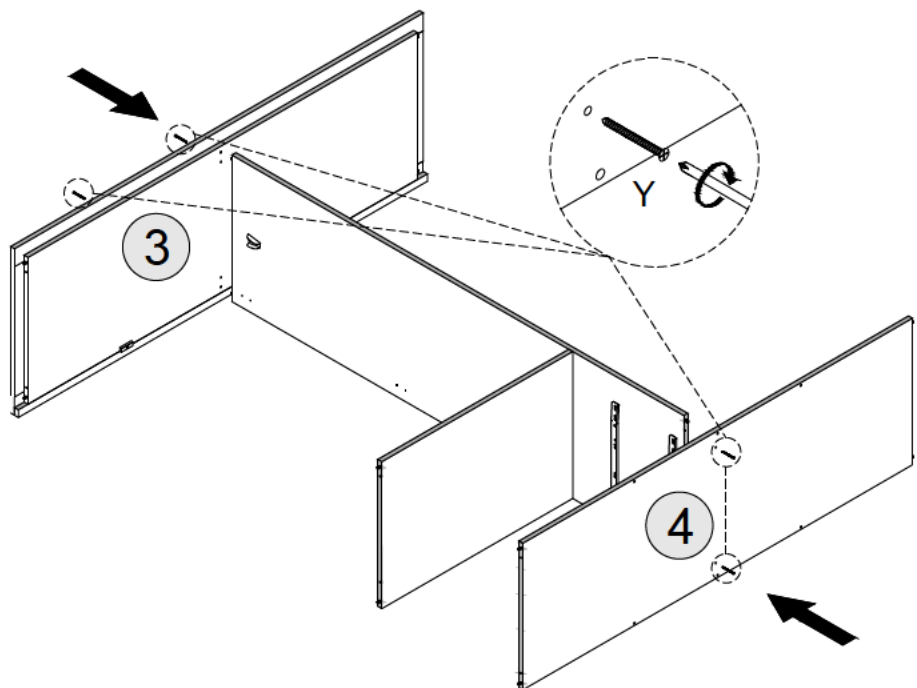
4 - BASE PANEL x1



HARDWARE REQUIRED

Y  04

TOOLS REQUIRED



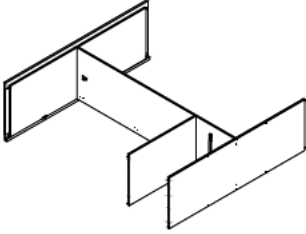
STEP 7

PARTS REQUIRED

5 - BASE FRONT APRON x1

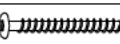
6 - BASE BACK APRON x1

7 - RIGHT SIDE PANEL x1

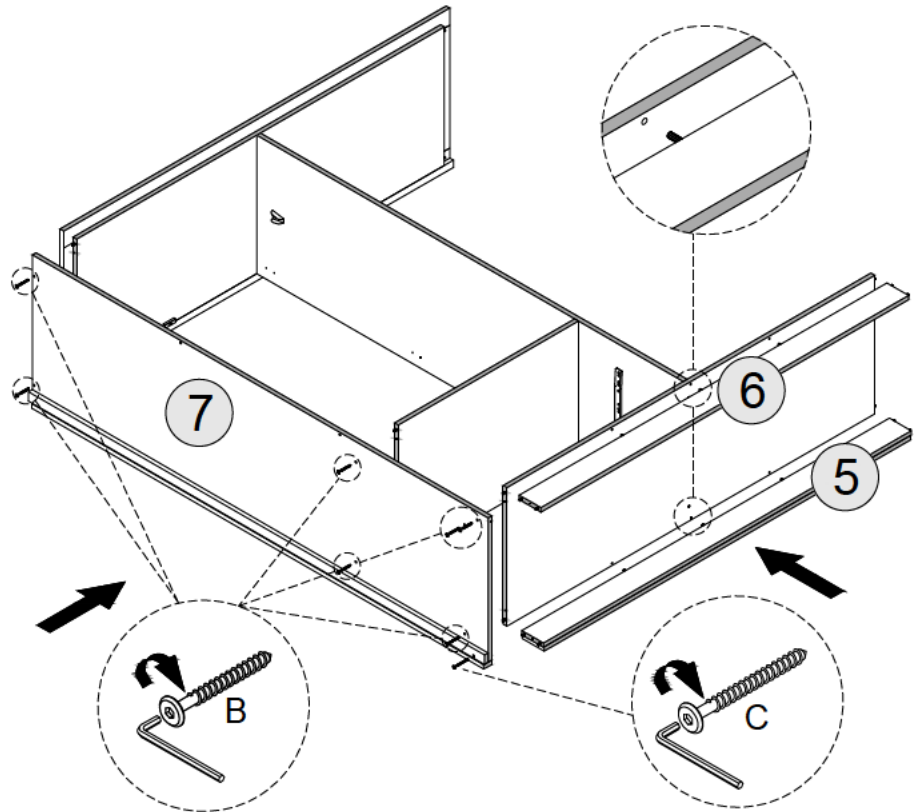


HARDWARE REQUIRED

B  07

C  01

TOOLS REQUIRED

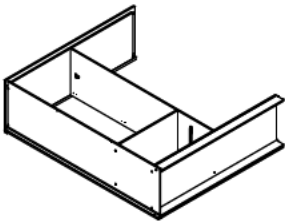


STEP 8

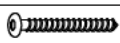
PARTS REQUIRED

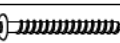
8 - BACK CROSSBARS x2

9 - LEFT SIDE PANEL x1

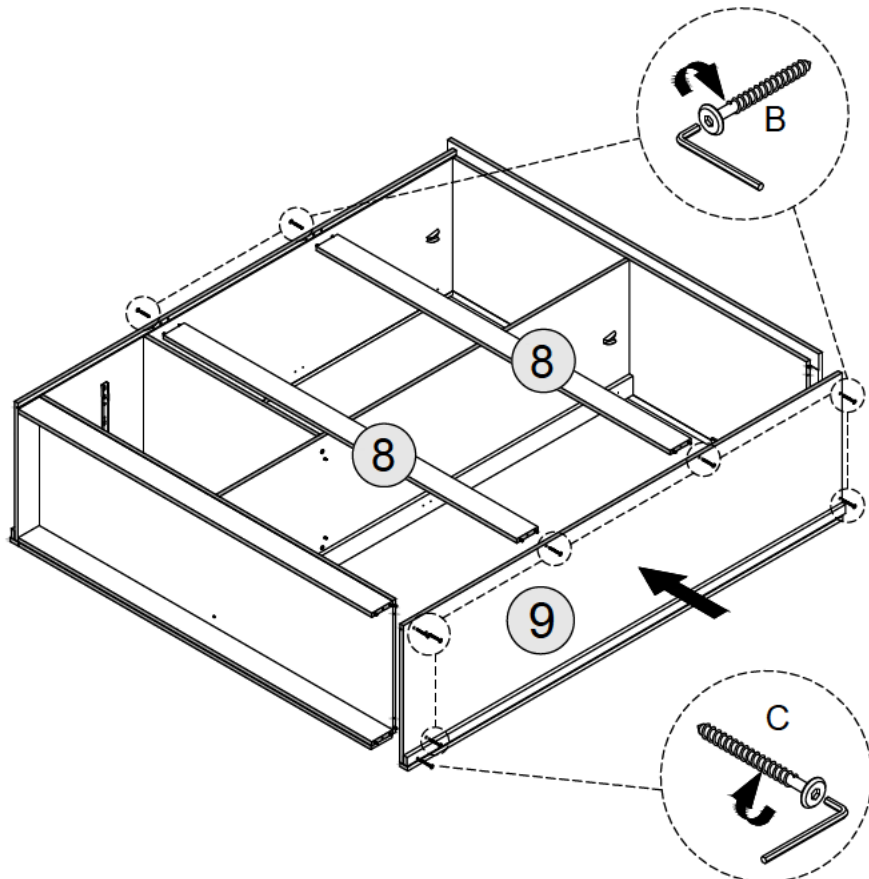
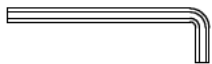


HARDWARE REQUIRED

B  09

C  01

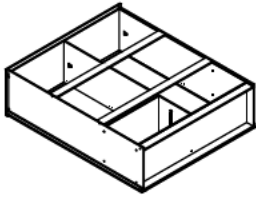
TOOLS REQUIRED



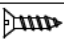
STEP 9

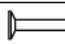
PARTS REQUIRED


10 - BACK PANEL x4



HARDWARE REQUIRED

D  06

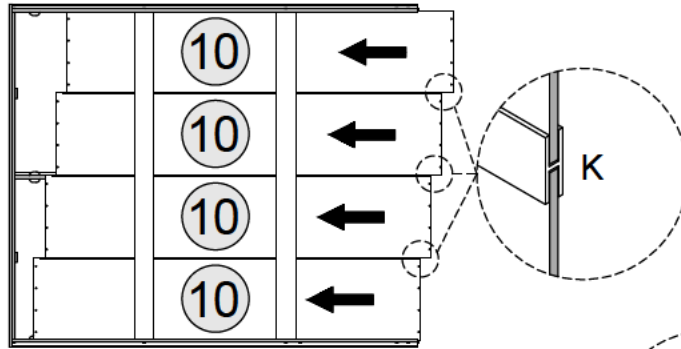
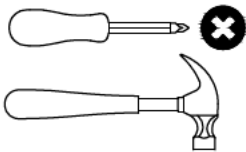
E  32

K  03

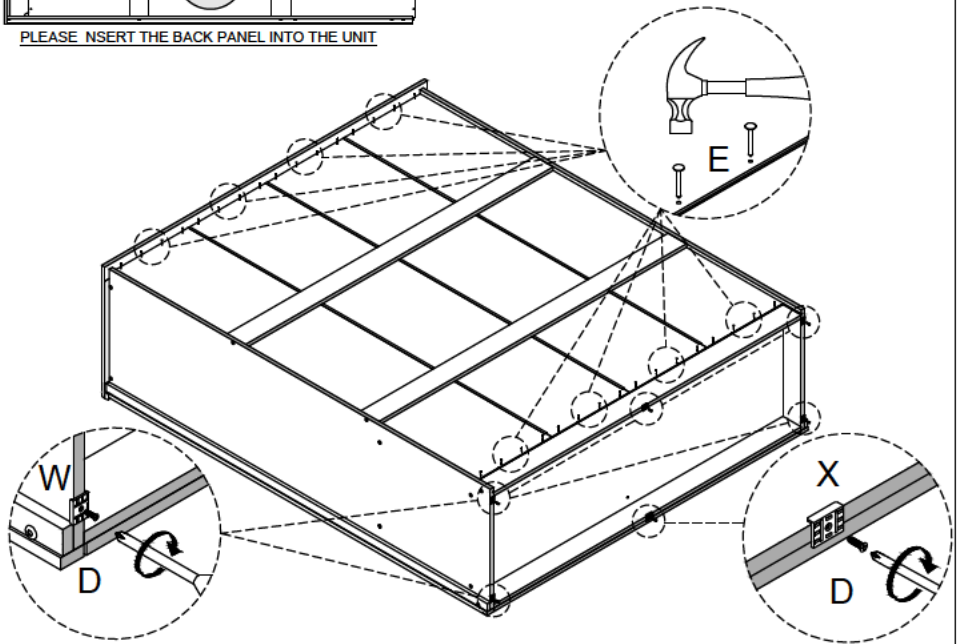
W  05

X  01

TOOLS REQUIRED



PLEASE INSERT THE BACK PANEL INTO THE UNIT



STEP 10

PARTS REQUIRED

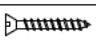
11 - DRAWER BACK x2

12 - DRAWER SIDE - LEFT x2

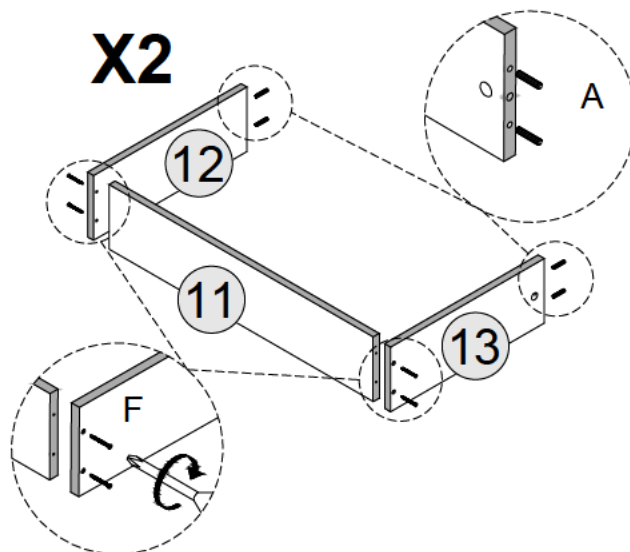
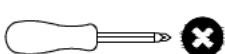
13 - DRAWER SIDE - RIGHT x2

HARDWARE REQUIRED

A  08

F  08

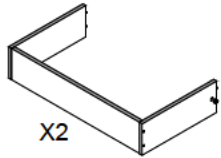
TOOLS REQUIRED



STEP 11

PARTS REQUIRED

14 - DRAWER FRONT x2



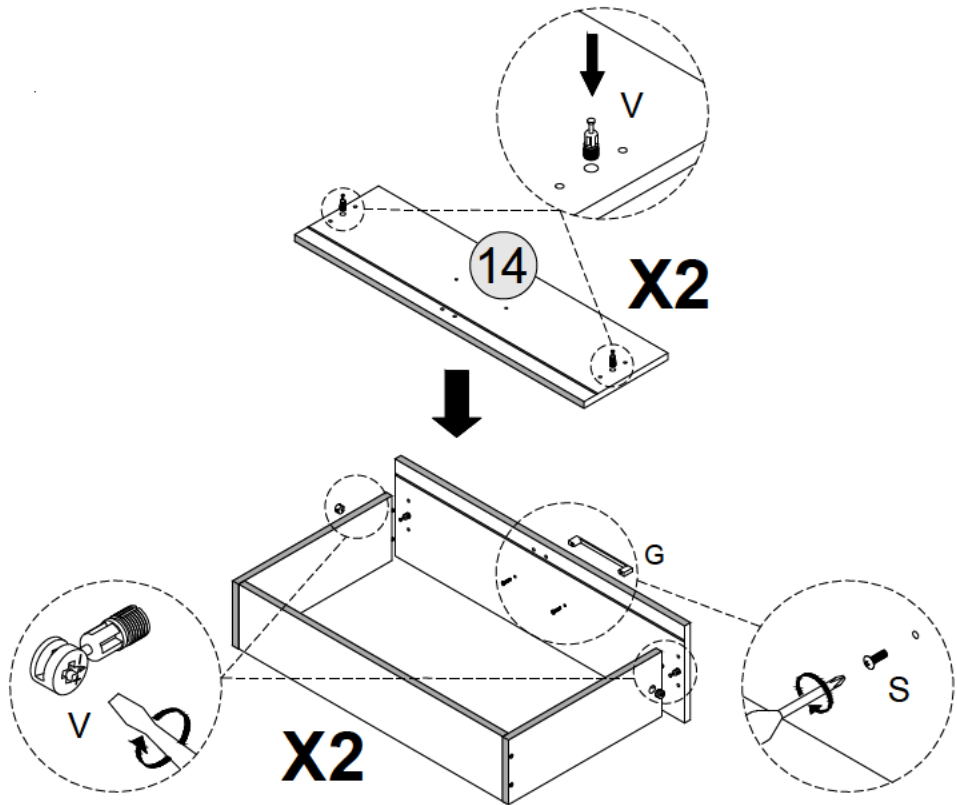
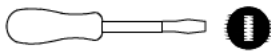
HARDWARE REQUIRED

G  02

S  04

V  04

TOOLS REQUIRED

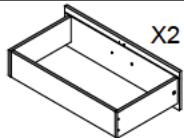


STEP 12

PARTS REQUIRED

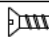
15 - DRAWER BASE x2

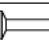
16 - DRAWER BOTTOM SUPPORT RAIL x2



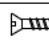
HARDWARE REQUIRED

A  04

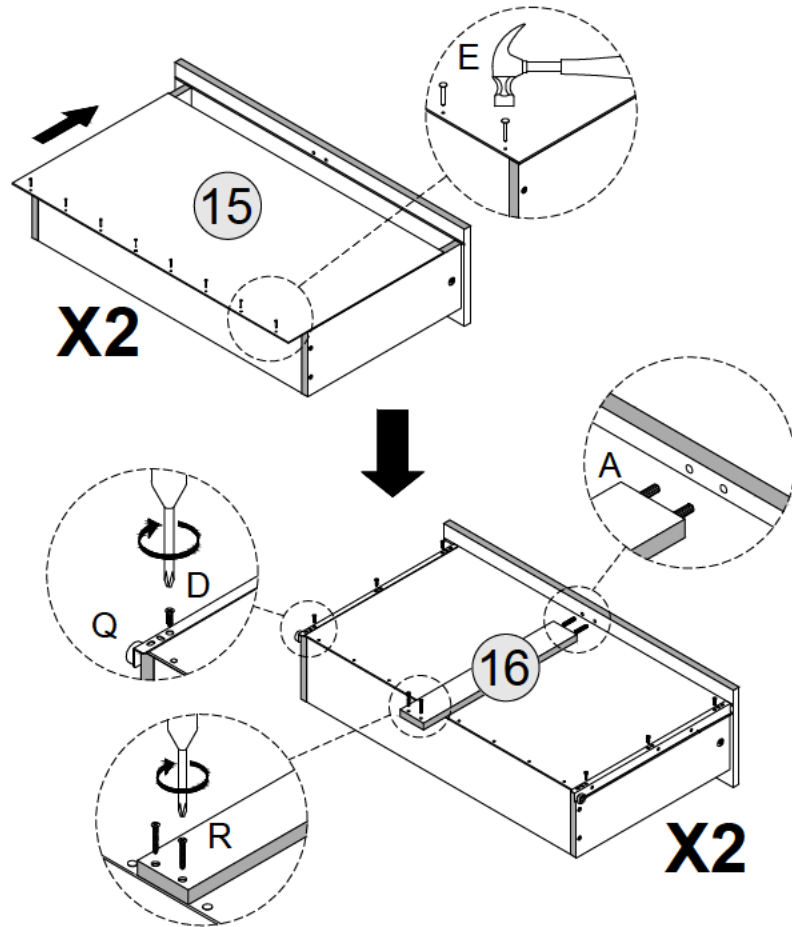
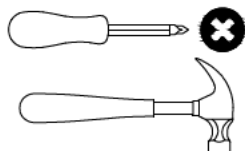
D  12

E  16

Q  04

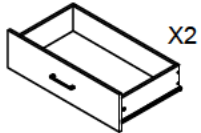
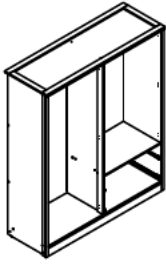
R  04

TOOLS REQUIRED



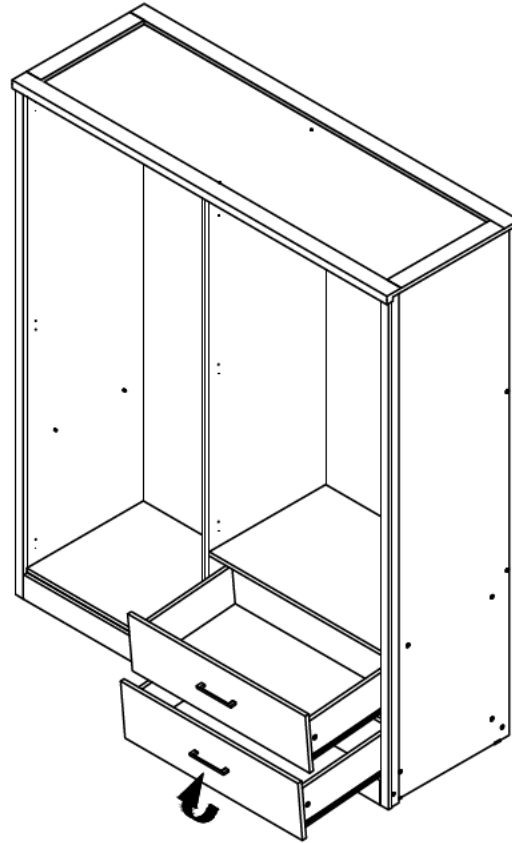
STEP 13

PARTS REQUIRED



HARDWARE REQUIRED

TOOLS REQUIRED



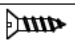
STEP 14

PARTS REQUIRED

17 - MIRROR DOOR PANEL - LEFT X1

20 - SMALL DOOR PANEL - RIGHT X1

HARDWARE REQUIRED

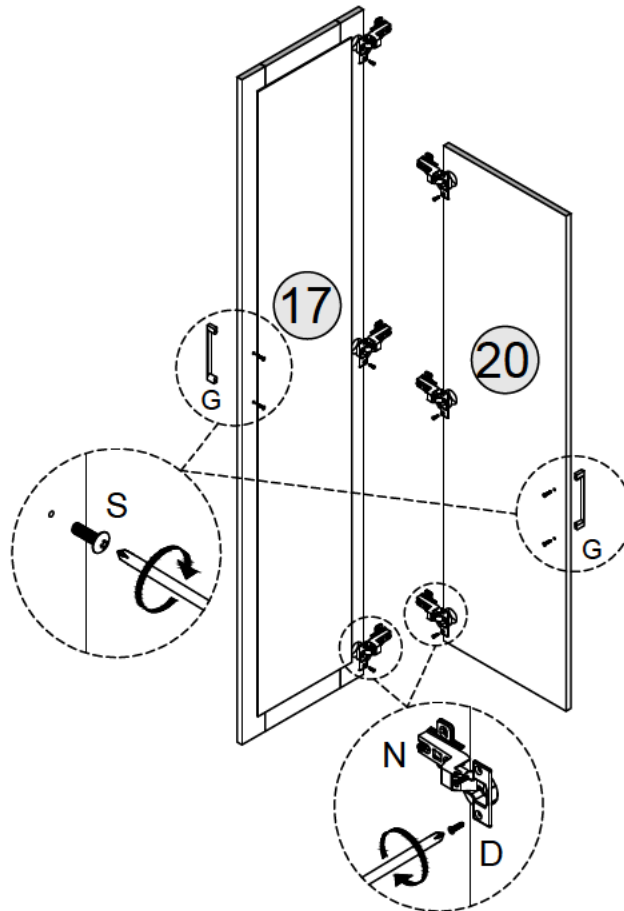
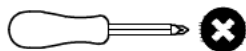
D  12

G  02

N  06

S  04

TOOLS REQUIRED




STEP 15

PARTS REQUIRED

18 - MIRROR DOOR PANEL - RIGHT X1

19 - SMALL DOOR PANEL - LEFT X1

HARDWARE REQUIRED

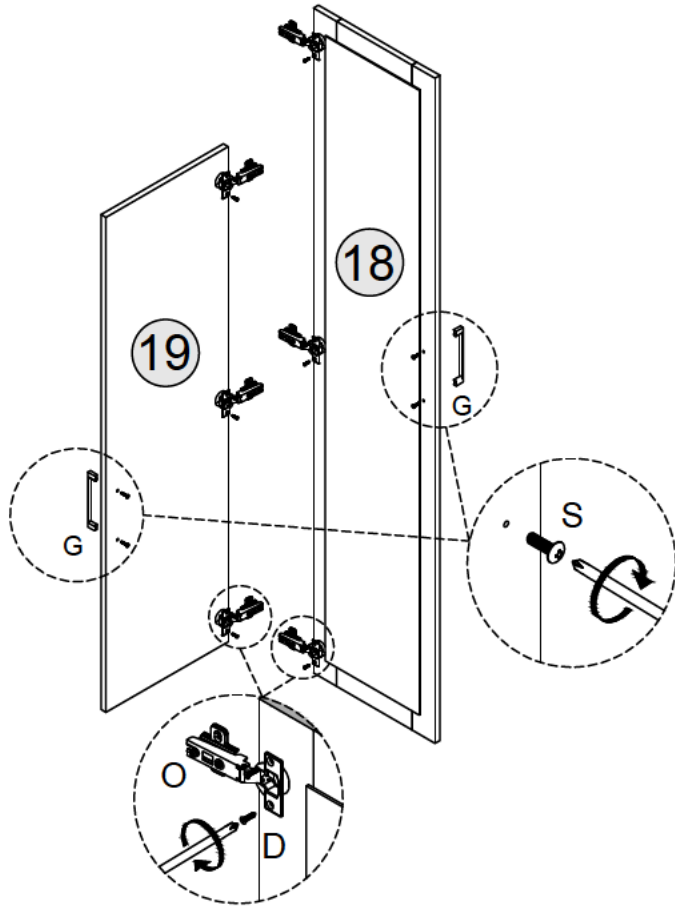
D  12

G  02

O  06

S  04

TOOLS REQUIRED

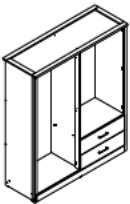


STEP 16


PARTS REQUIRED

18 - MIRROR DOOR PANEL - RIGHT X1

20 - SMALL DOOR PANEL - RIGHT X1

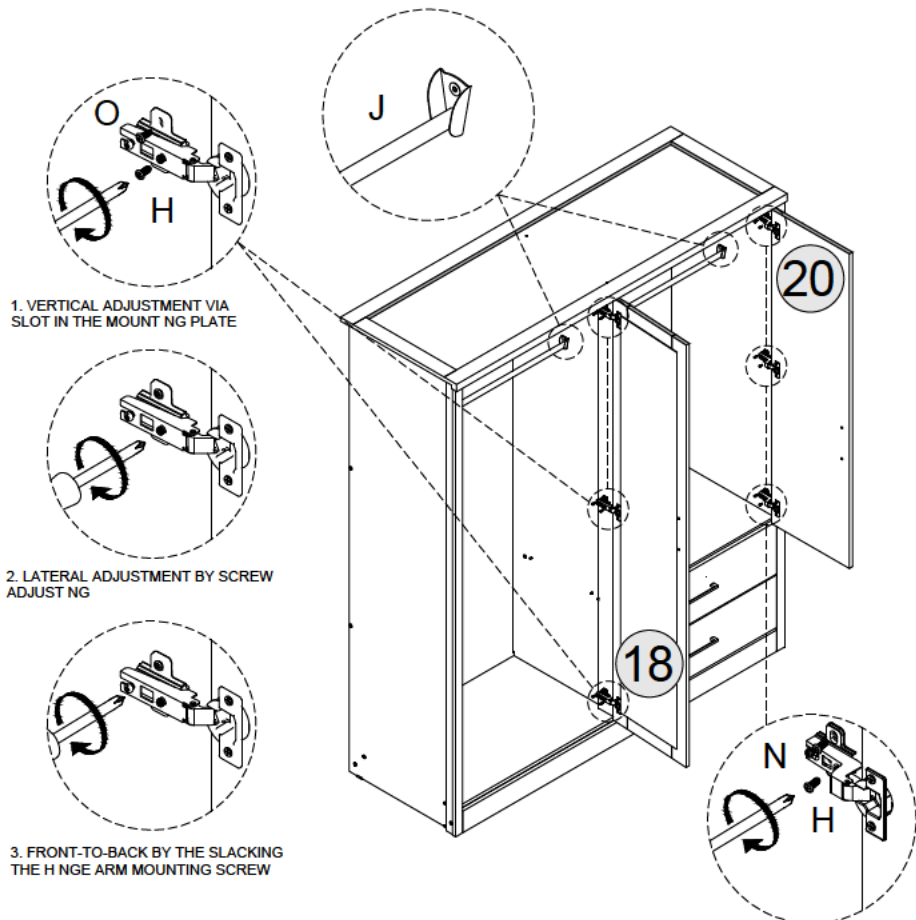


HARDWARE REQUIRED

H  12

J  02

TOOLS REQUIRED



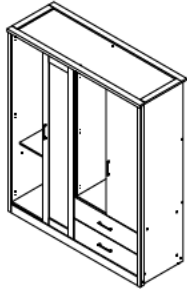
STEP 17

PARTS REQUIRED

17 - MIRROR DOOR PANEL - LEFT x1

19 - SMALL DOOR PANEL - LEFT x1

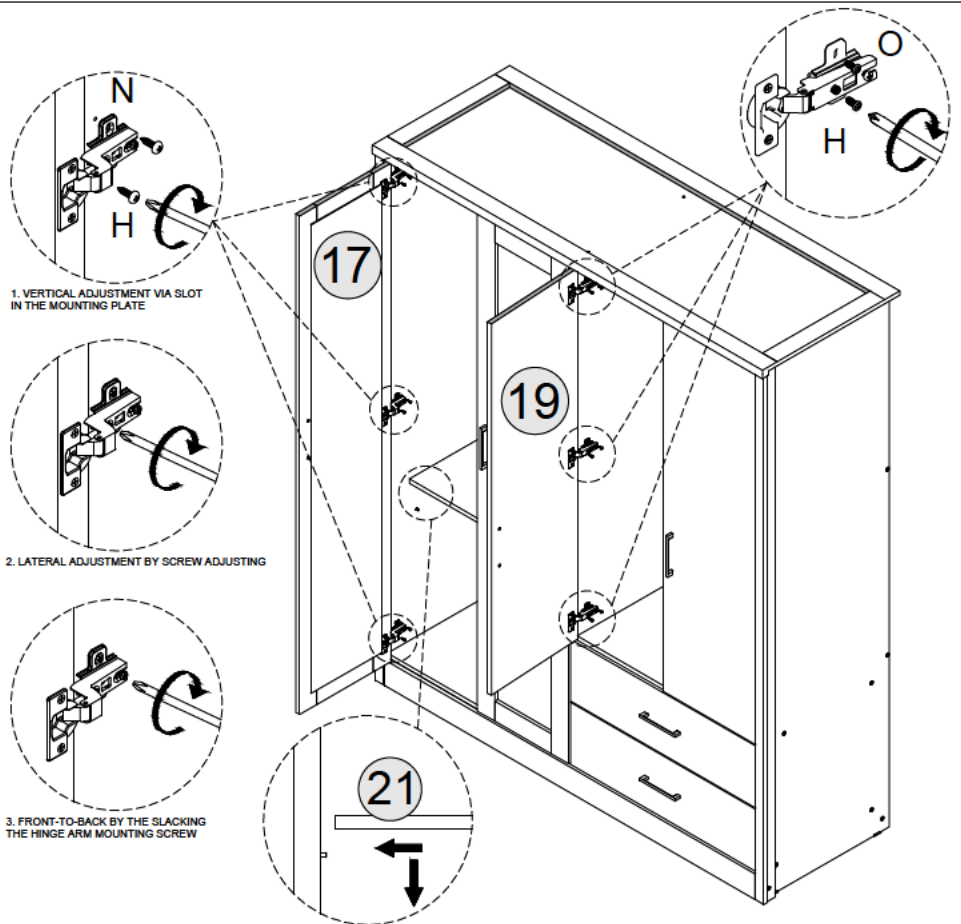
21 - SHELF PANEL - LEFT x1



HARDWARE REQUIRED

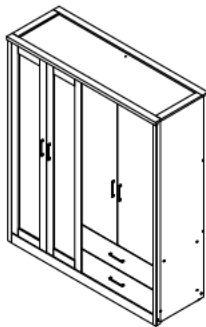
H  12

TOOLS REQUIRED



STEP 18

PART REQUIRED

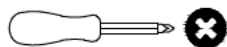


HARDWARE REQUIRED

Z  02

Z1  02

TOOLS REQUIRED



WARNING

Serious or fatal injuries can occur from furniture tipping over. To prevent the furniture from tipping over we recommend that it is permanently fixed to the wall.

Wall fixings are not supplied with this product as different wall materials require different types of fixing devices. Please make sure you use fixings suitable for the walls in your home.

