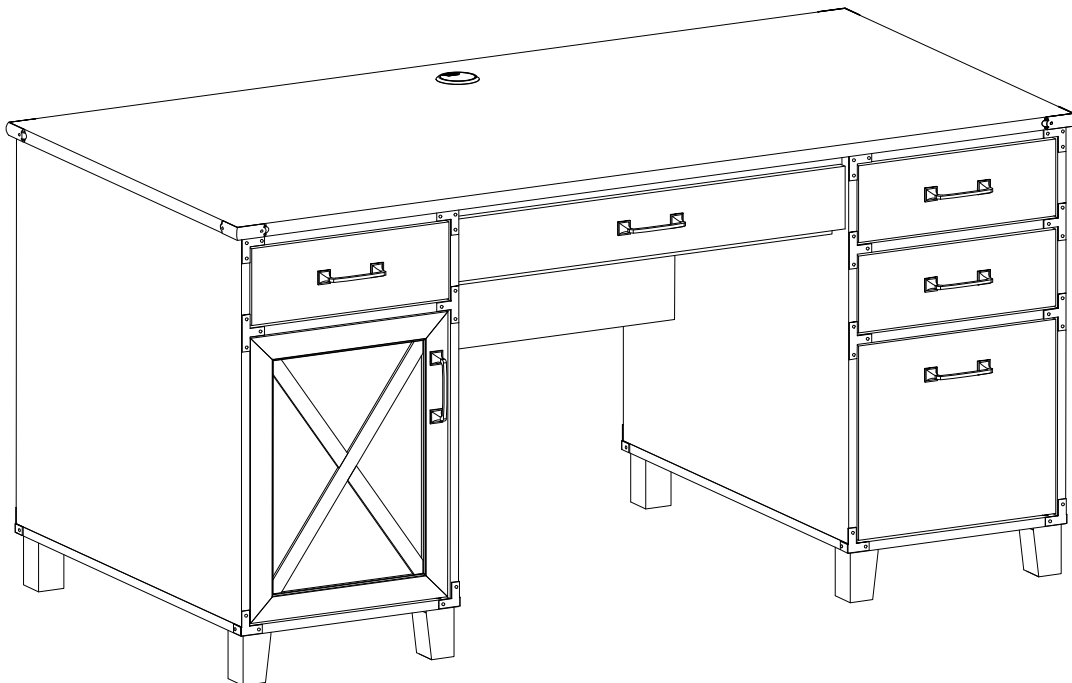


ASSEMBLY INSTRUCTIONS

Important Safety Instructions:

- Please read all instructions before beginning assembly
- Please make sure receive all the parcels to start the assembly
- For your safety and convenience, assembly by two people is recommended
- Use the parts and hardware lists to identify and separate each of the components included
- Save all packing materials until assembly is completed to avoid the accidental discarding of smaller parts or hardware
- Use of power tools is not recommended



THANK YOU FOR PURCHASING

PARTS LIST

1 X1

2 X1

3 X1

4 X1

5 X1

6 X2

7 X9

8 X1

9 X4

10 X1

11 X3

12 X3

13 X3

14 X3

15 X3

16 X1

17 X1

18 X1

19 X1

20 X1

21 X1

22 X2

23 X1

24 X1

25 X1

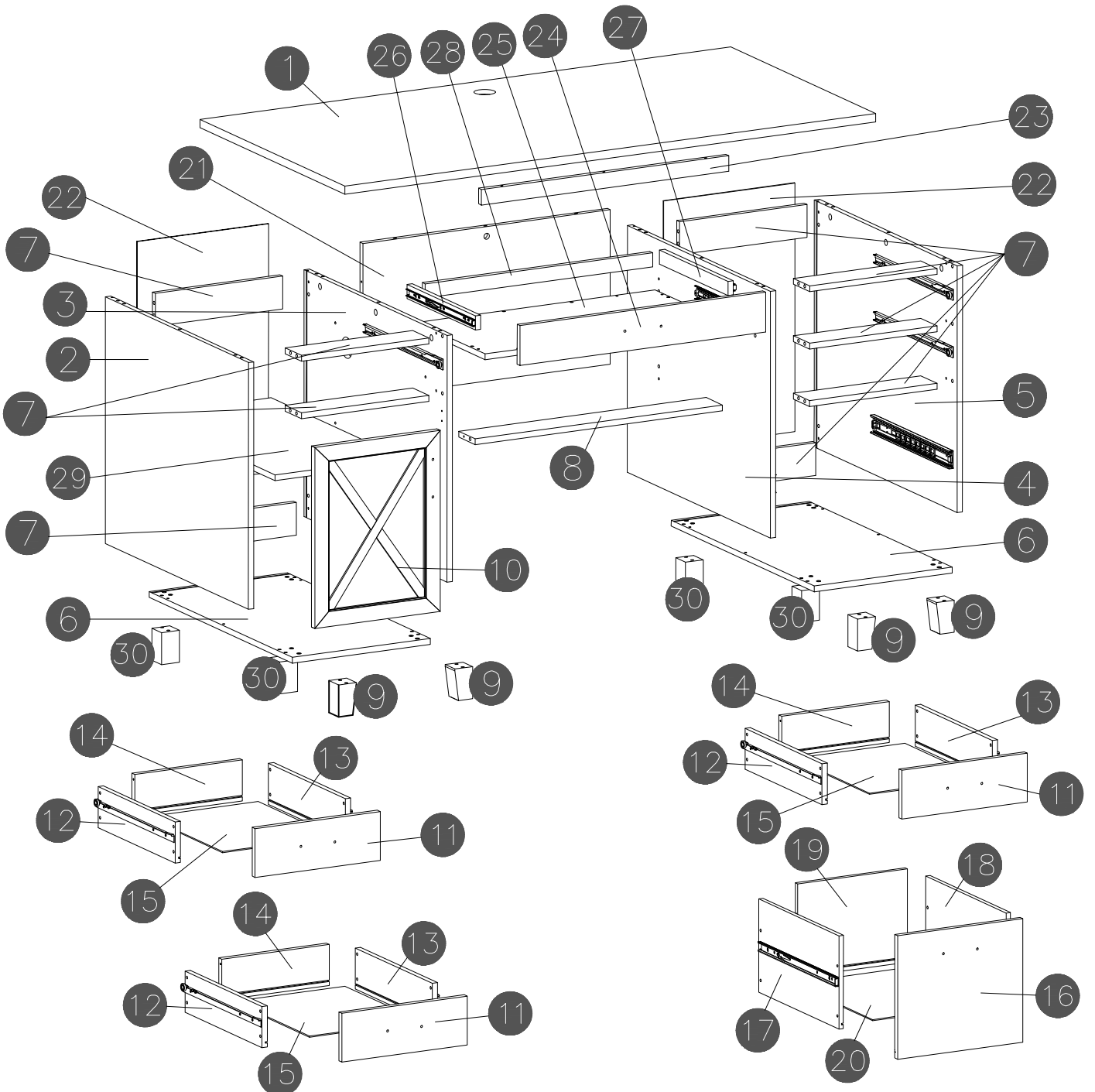
26 X1

27 X1

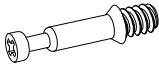

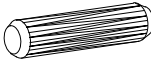
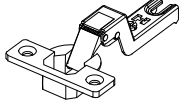
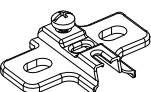

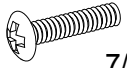
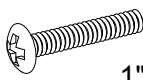

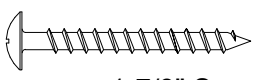
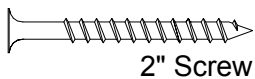
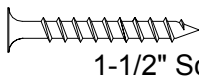
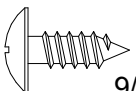
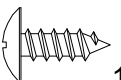

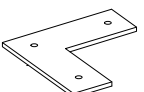

28 X1


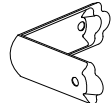
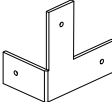
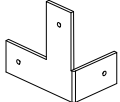
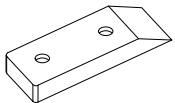
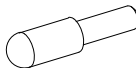
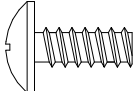
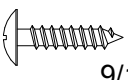
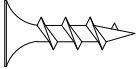
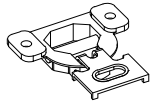
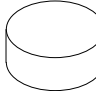
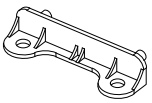
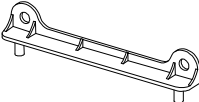
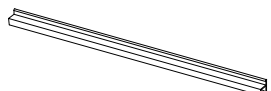
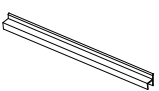

29 X1

30 X4



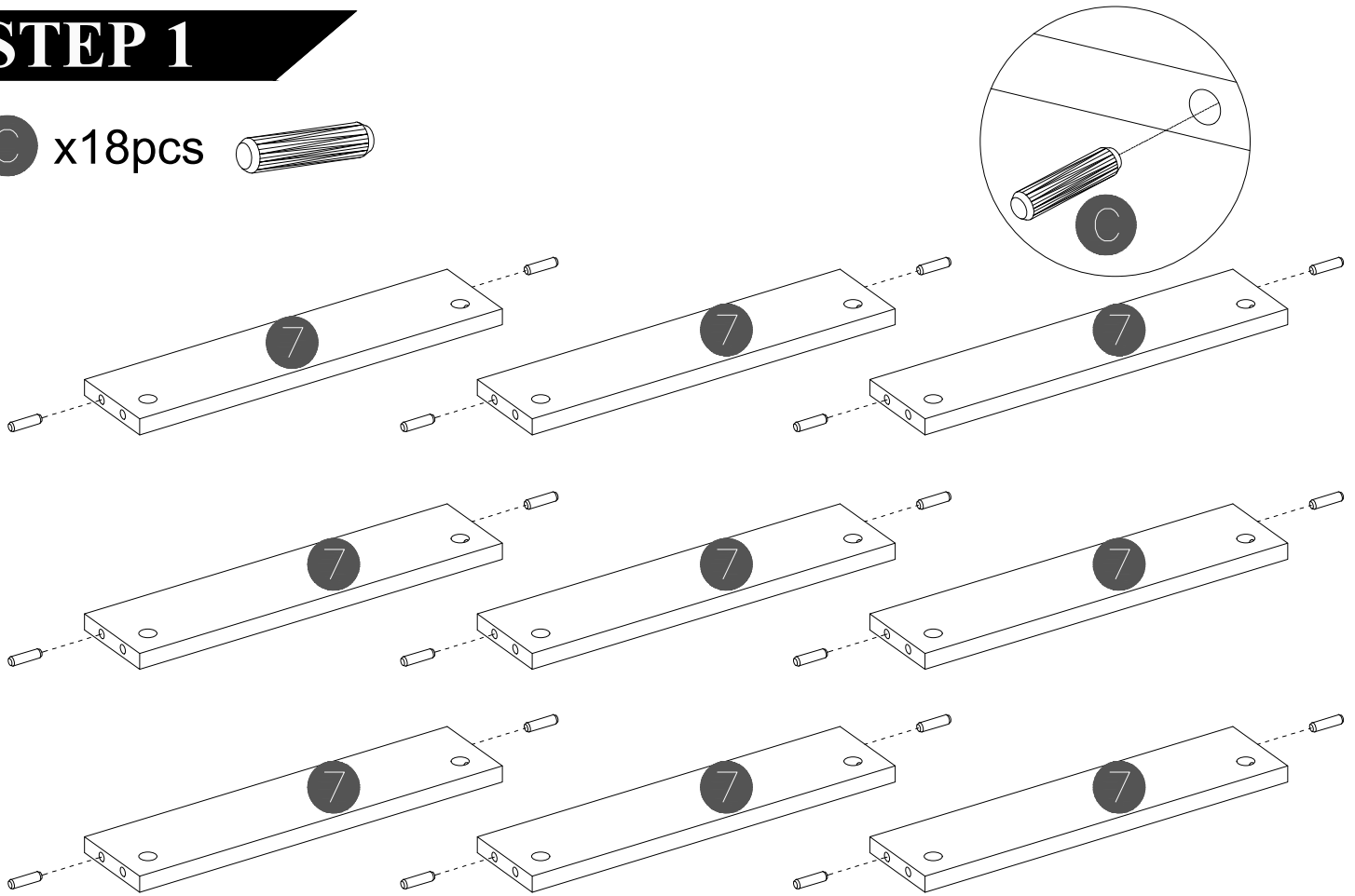
HARDWARE LIST

Name	Part	Qty.	Spare
A		31	1
B		31	1
C		48	1
D		2	
E		2	
F		6	
G	 7/8" Screw	10	1
H	 1" Screw	2	1
I		1	
J	 1-7/8" Screw	3	
K	 2" Screw	34	1
L	 1-1/2" Screw	22	1
M	 9/16" Screw	16	
N	 1/2" Screw	16	1
O		54	2
P		4	
Q		6	

Name	Part	Qty.	Spare
R	 5/6" nail	8	2
S		4	
T		4	
U		4	
V		1	
W		4	
X	 5/8" Screw	2	
Y	 9/16" Screw	2	
Z		12	
AA		2	
BB	 Bumper Ø10x4mm	2	
CC		6	
DD		2	
EE		2	
FF		1	
GG		1	

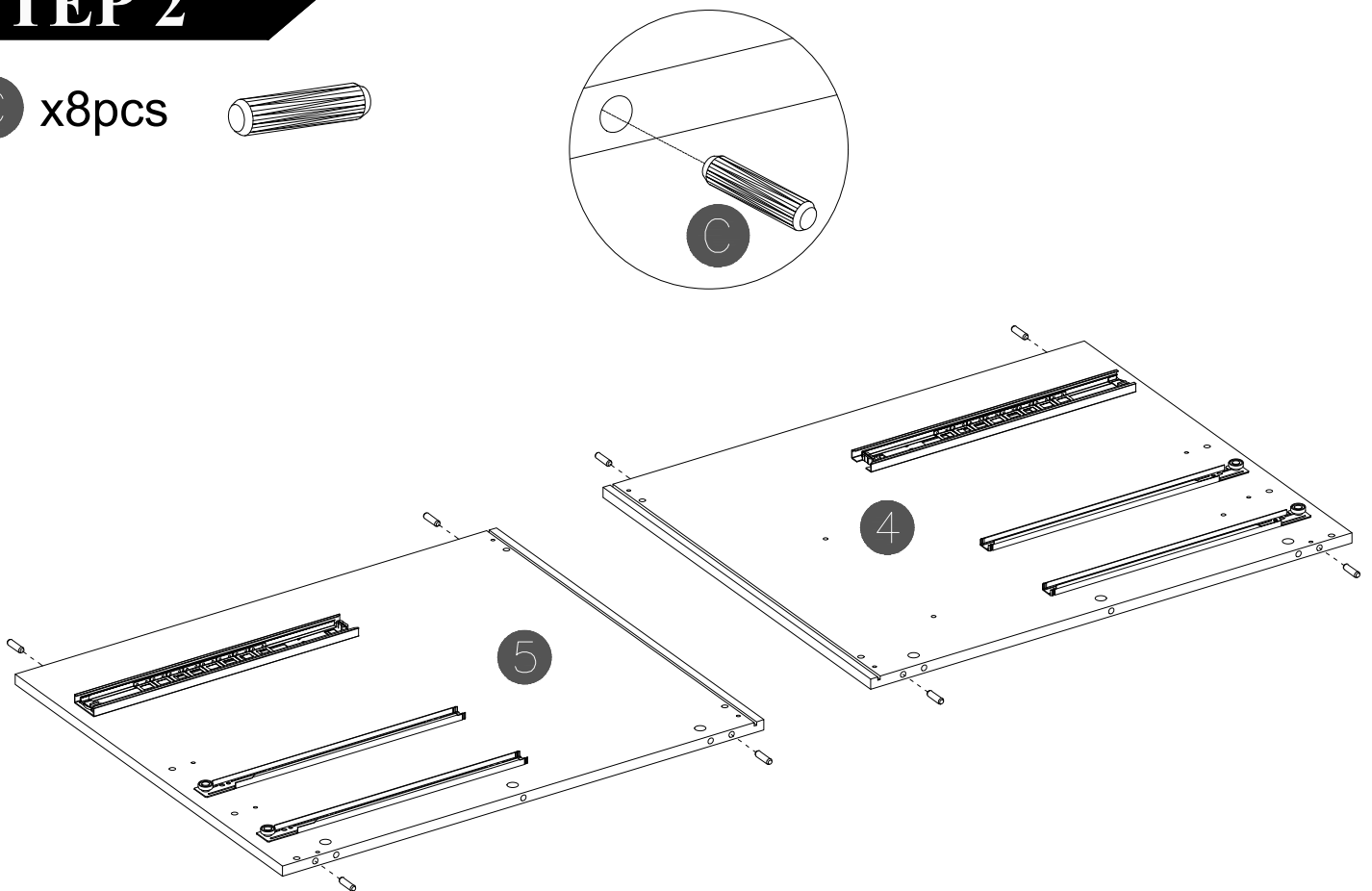
STEP 1

C x18pcs 



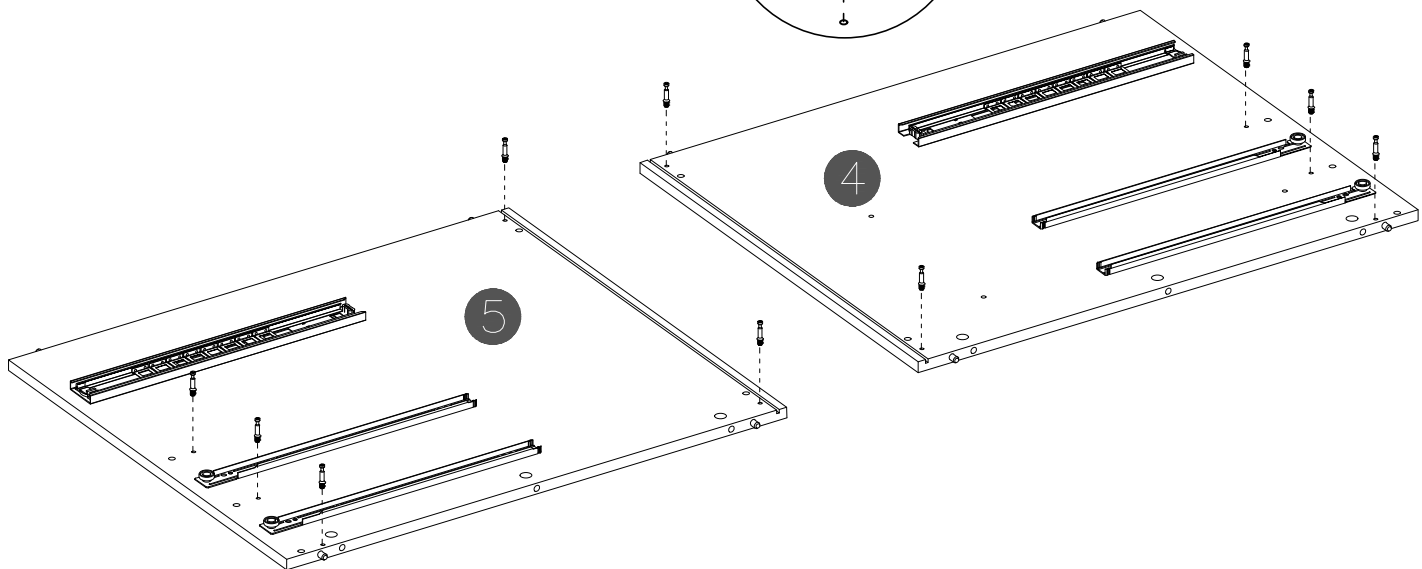
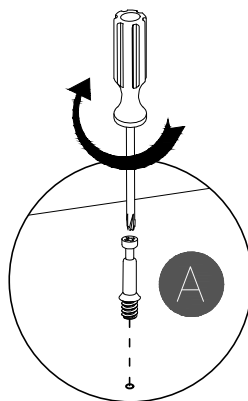
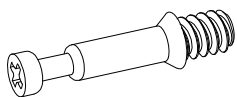
STEP 2

C x8pcs 



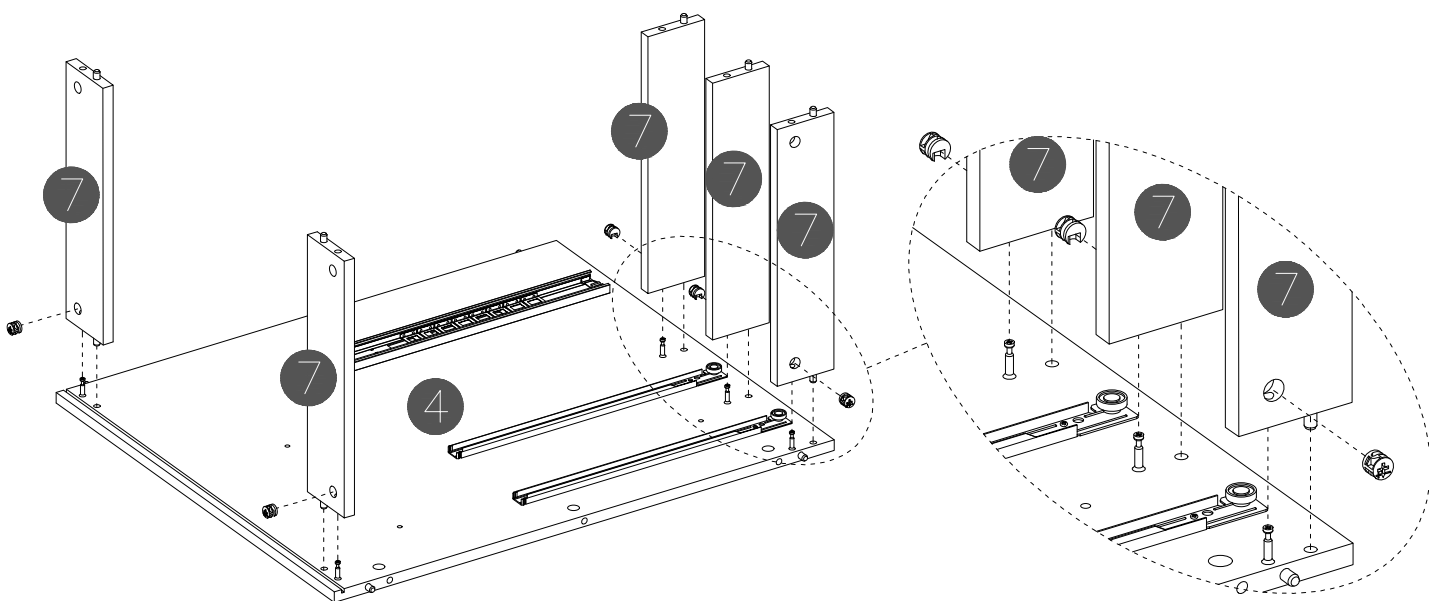
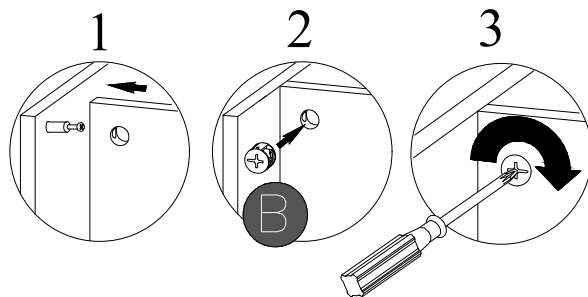
STEP 3

A x10pcs



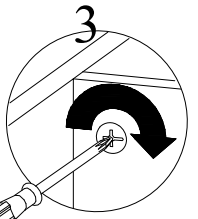
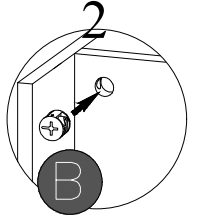
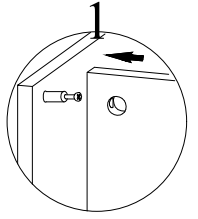
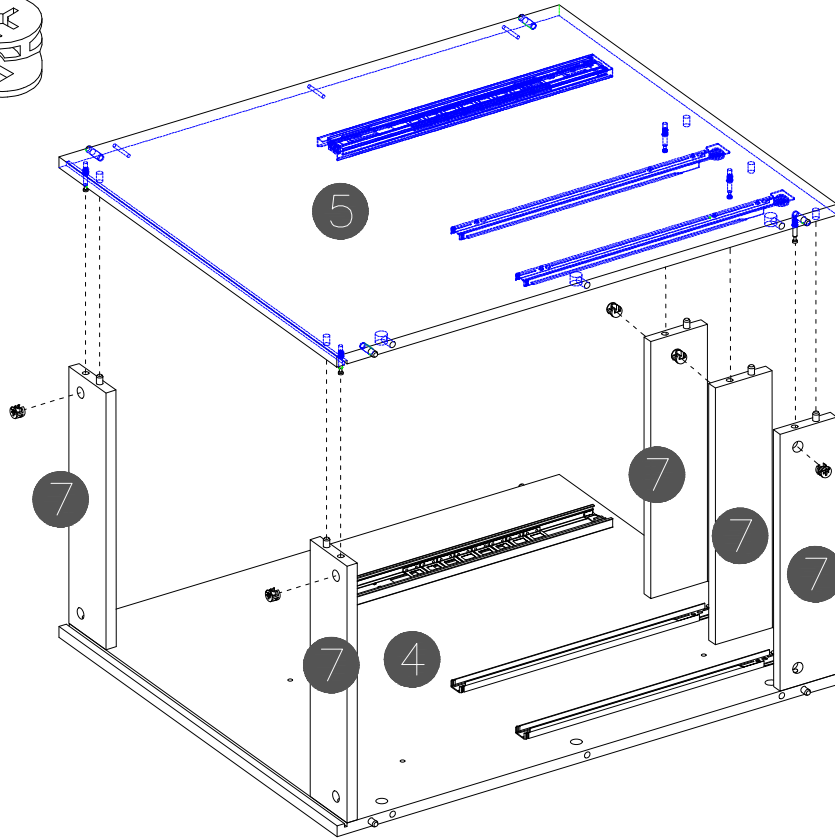
STEP 4

B x5pcs



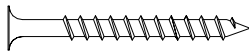
STEP 5

B x5pcs

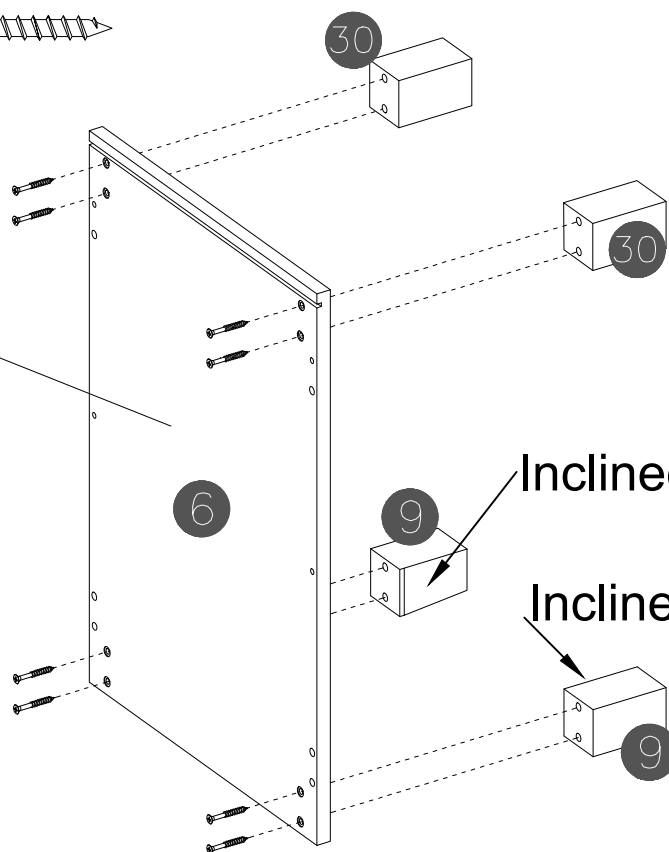
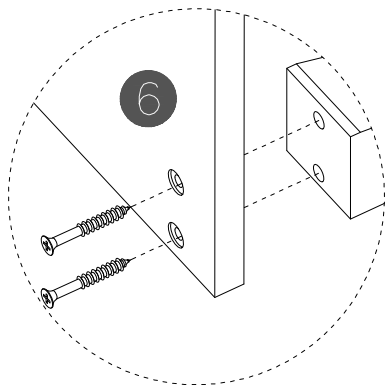


STEP 6

K x8pcs



Finished Side

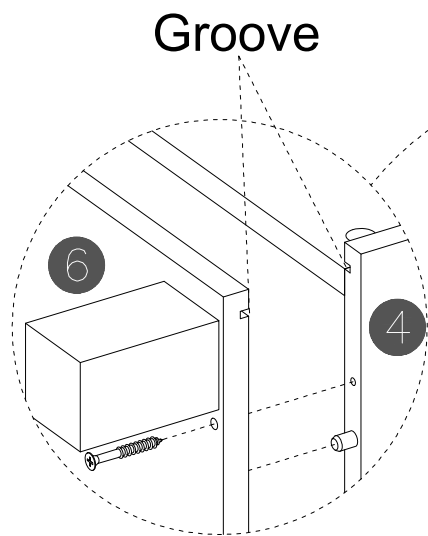
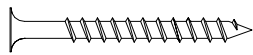


Inclined Plane

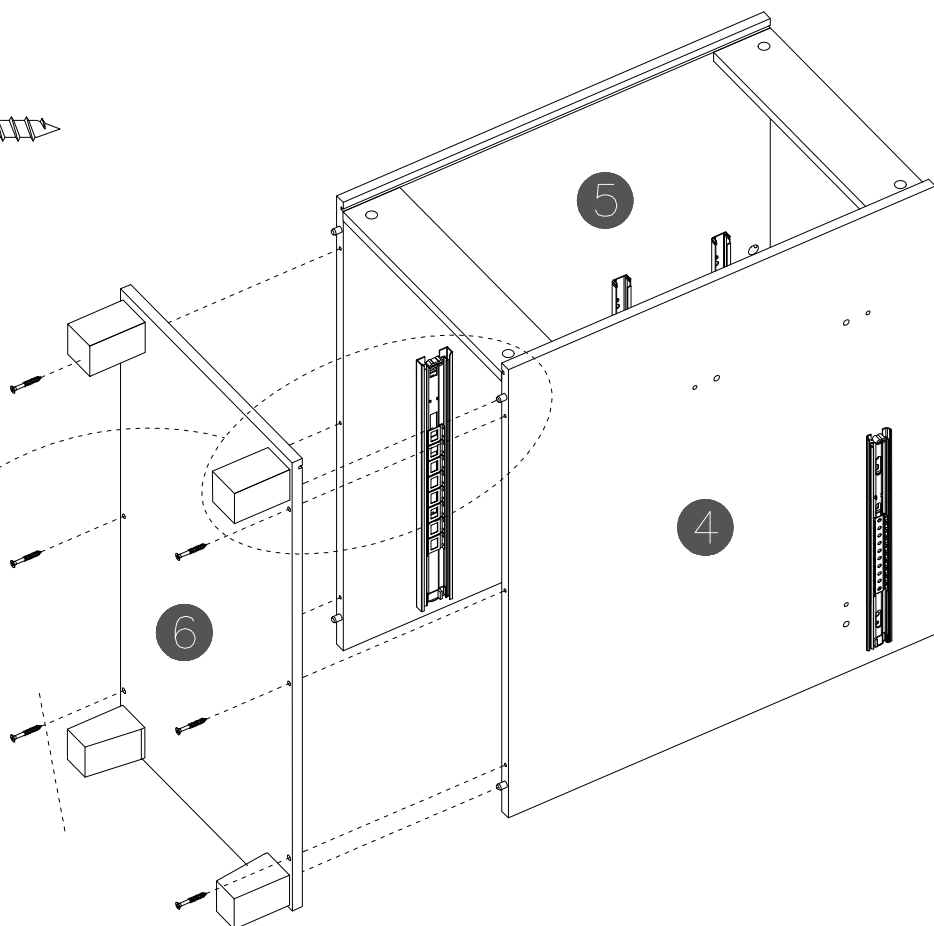
Inclined Plane

STEP 7

K x6pcs

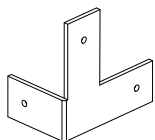


Groove

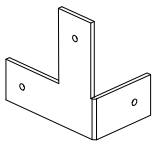


STEP 8

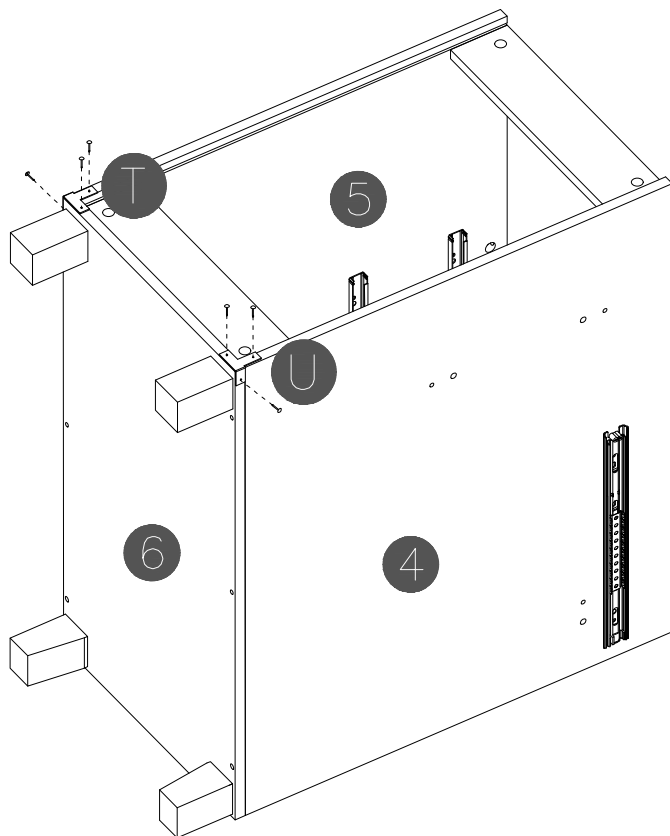
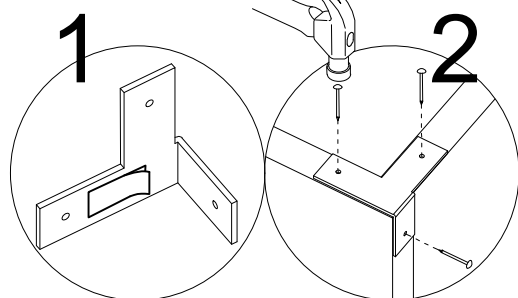
T x1pcs



U x1pcs



O x6pcs



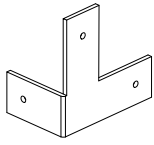
Peel off the adhesive sticker's protective paper and bond it onto the designated position before secure with nails.

STEP 9

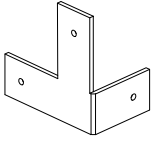
With assistant carefully flip the other side.

Peel off the adhesive sticker's protective paper and bond it onto the designated position before secure with nails.

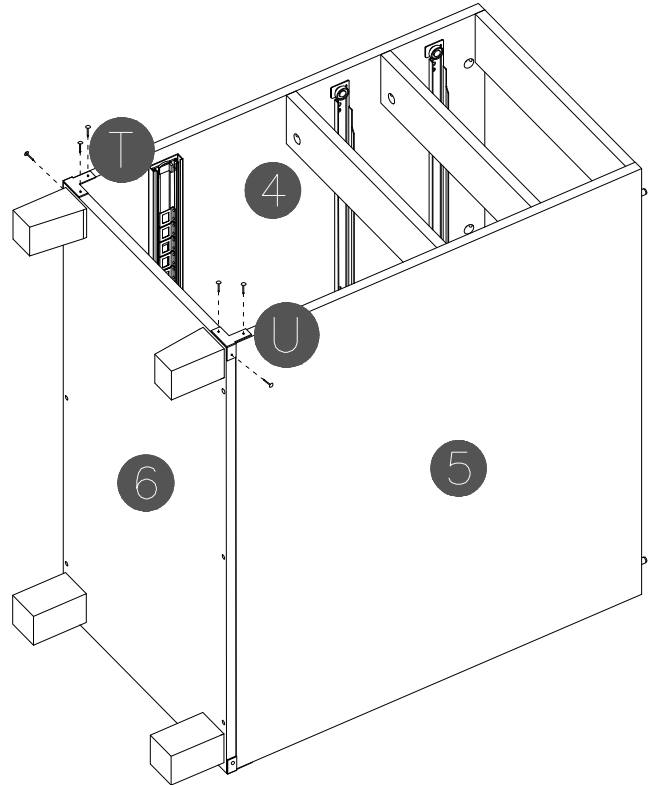
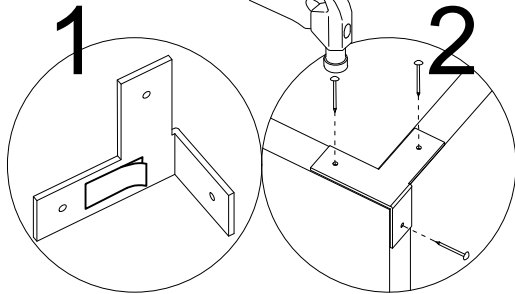
T x1pcs



U x1pcs



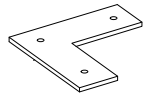
O x6pcs



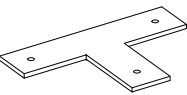
STEP 10

Peel off the adhesive sticker's protective paper and bond it onto the designated position before secure with nails.

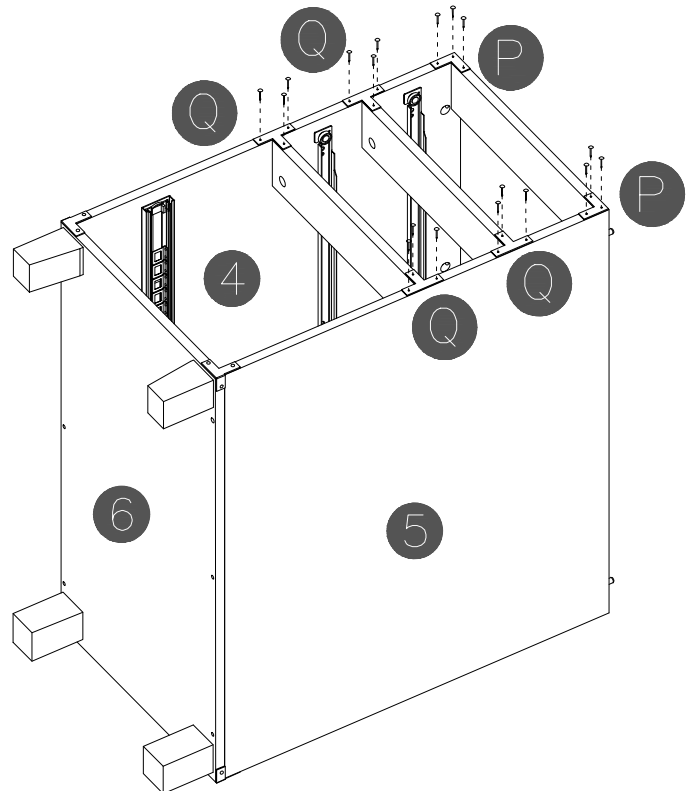
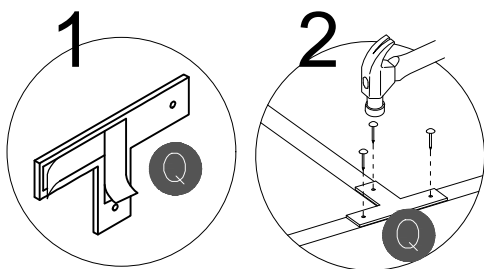
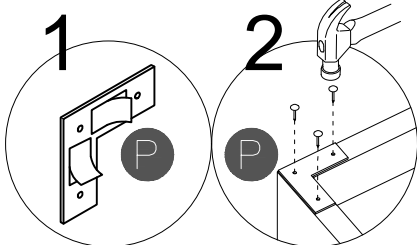
P x2pcs



Q x4pcs

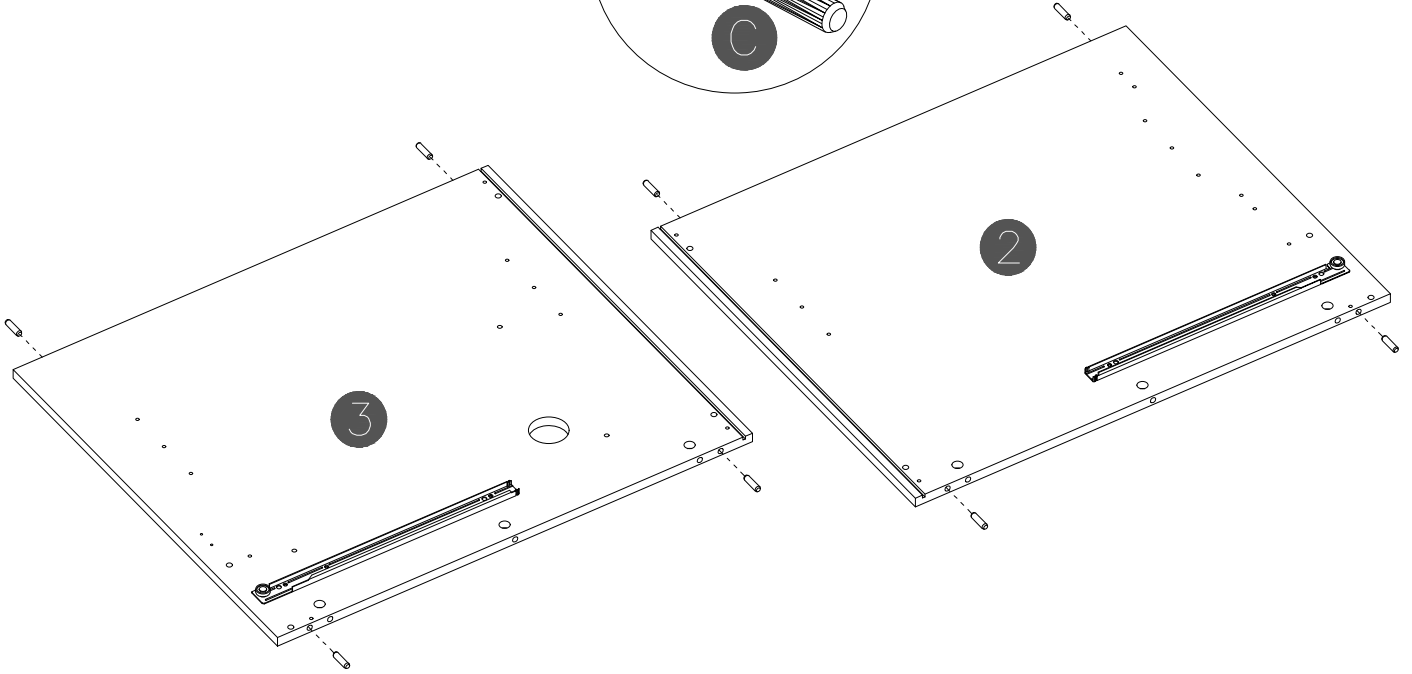
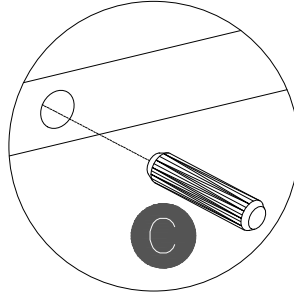
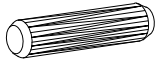


O x18pcs



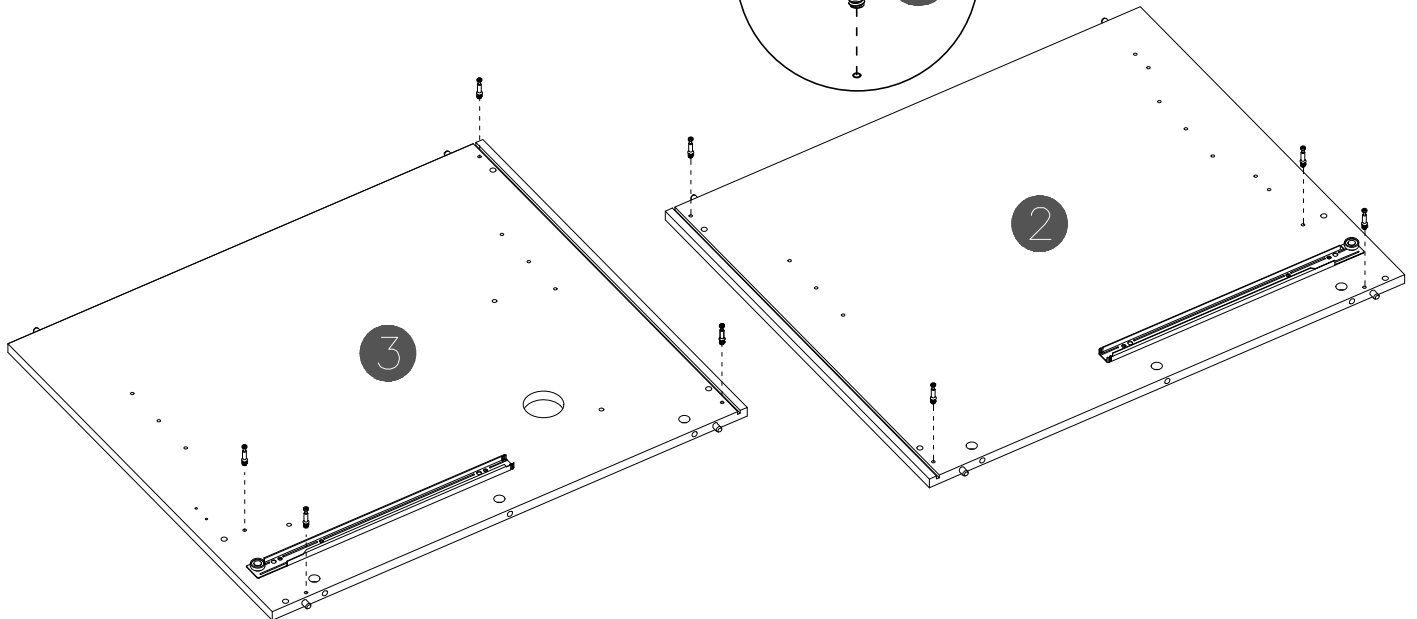
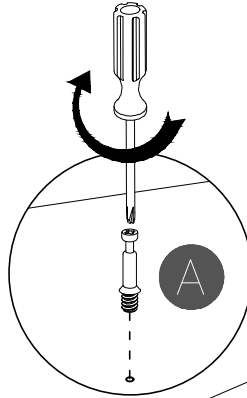
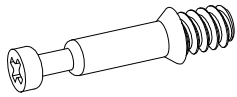
STEP 11

C x8pcs



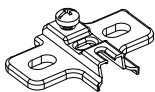
STEP 12

A x8pcs

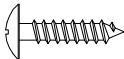


STEP 13

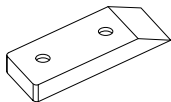
E x2pcs



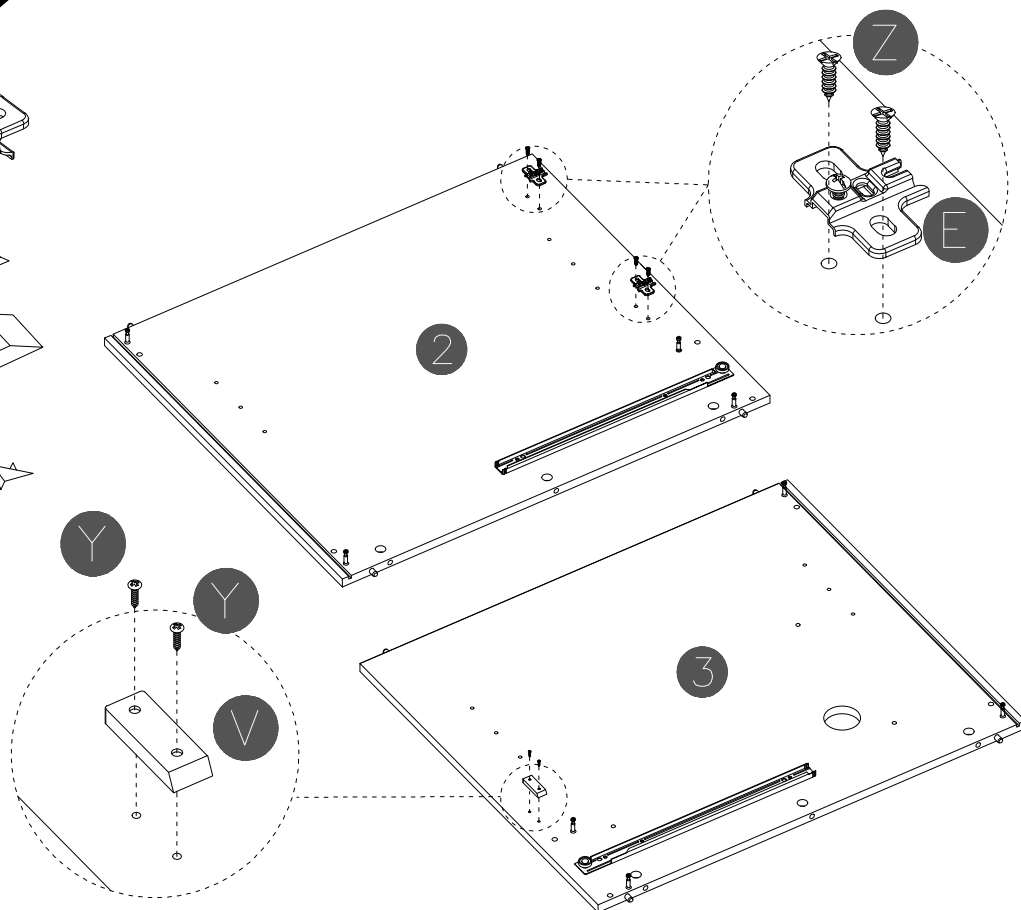
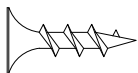
Y x2pcs



V x1pcs

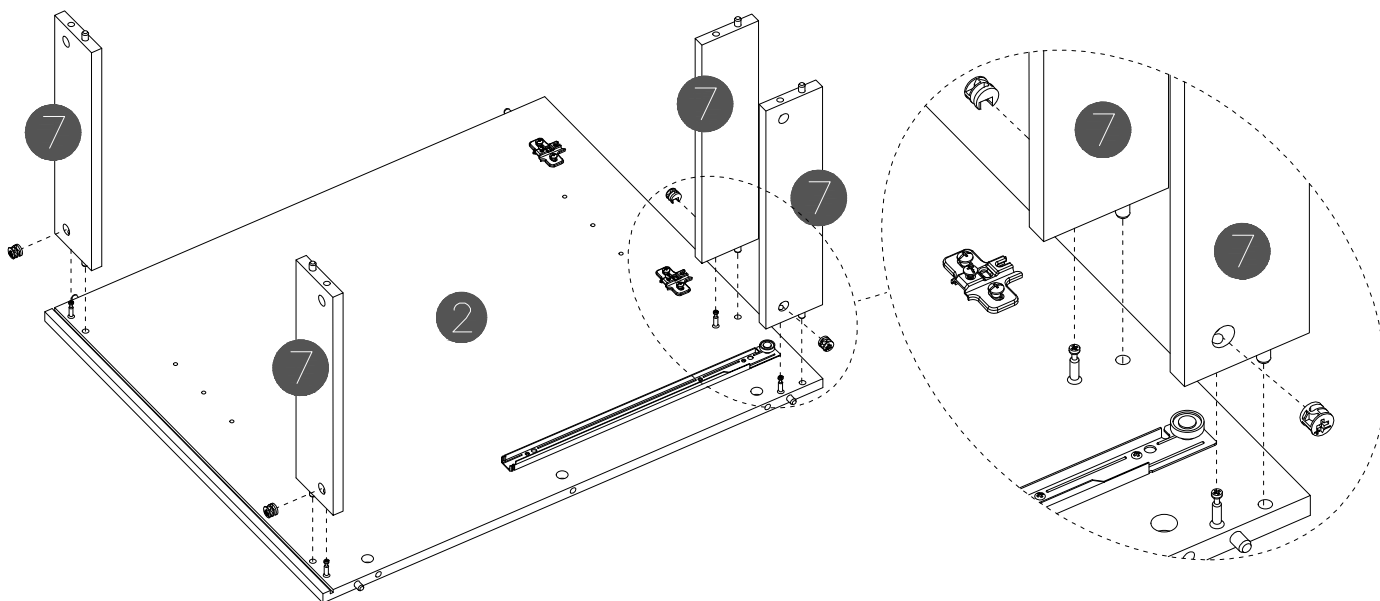
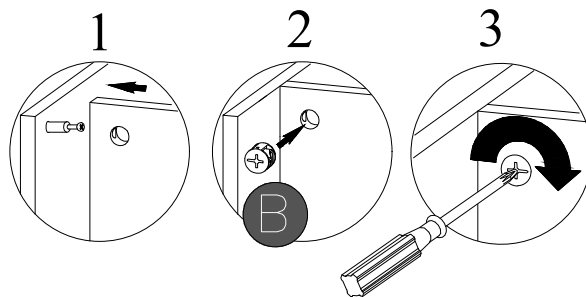


Z x4pcs



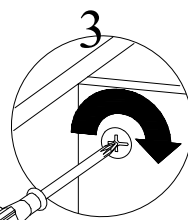
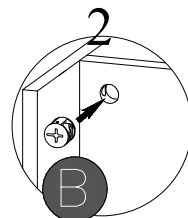
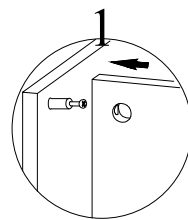
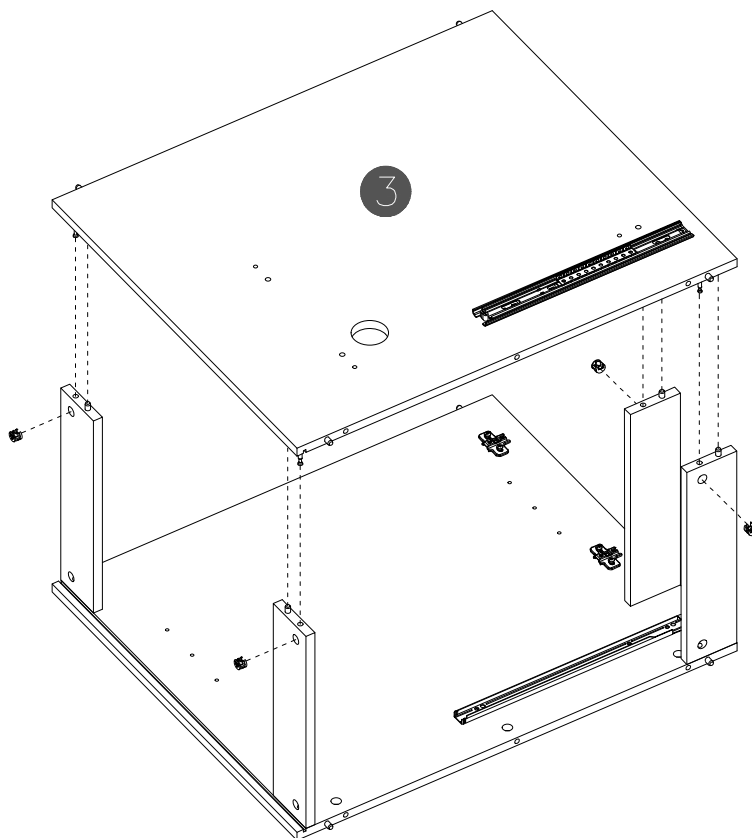
STEP 14

B x4pcs



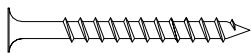
STEP 15

B x4pcs

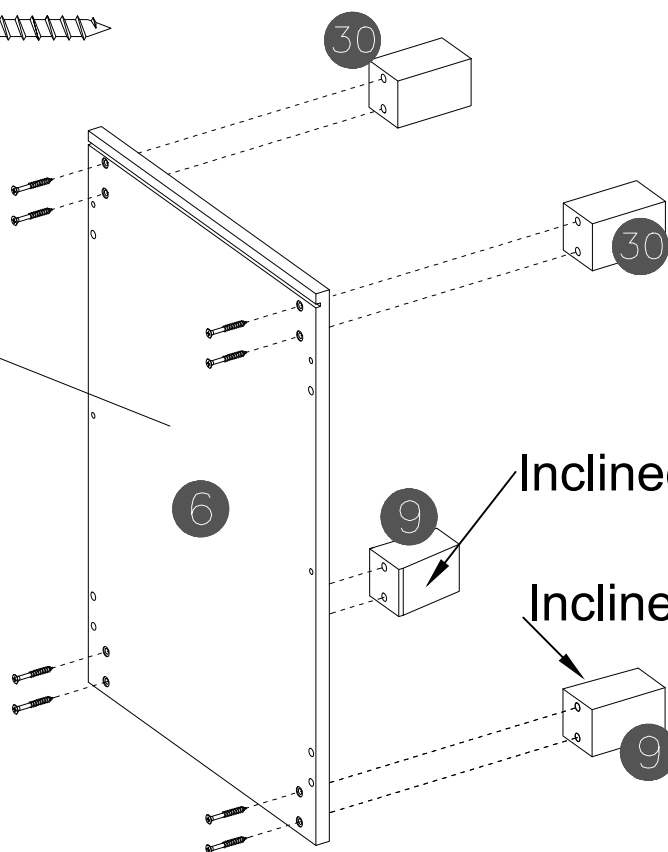
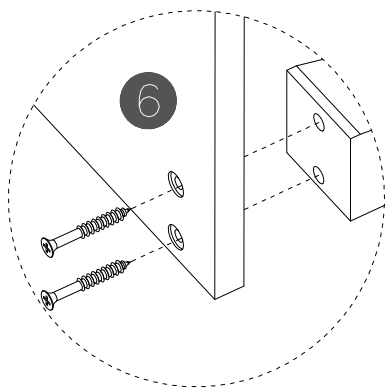


STEP 16

K x8pcs



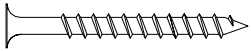
Finished Side

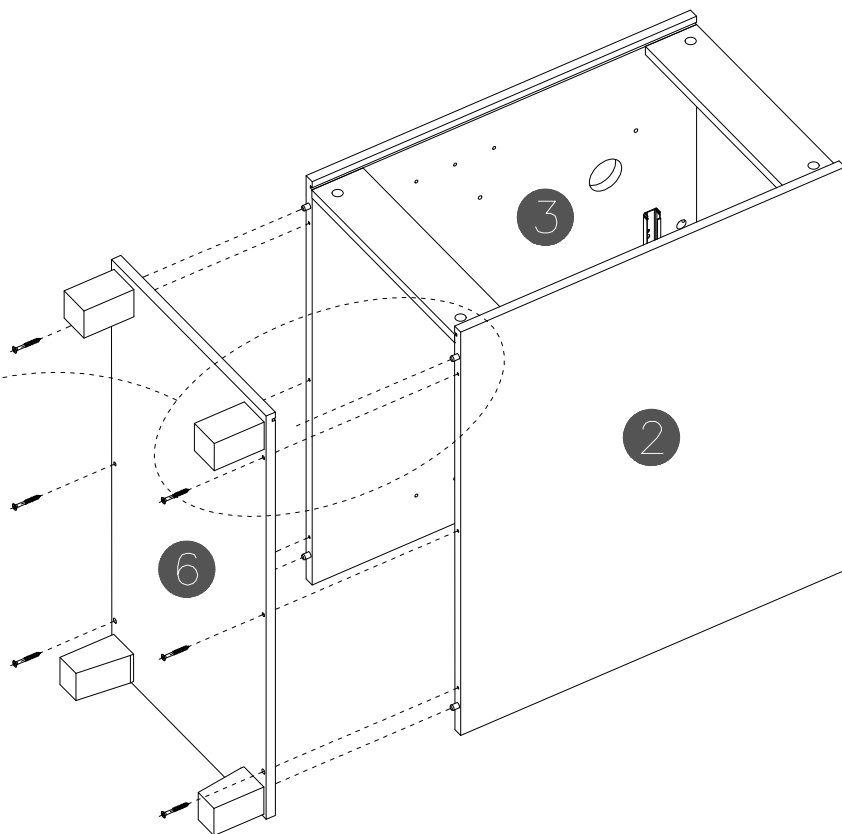
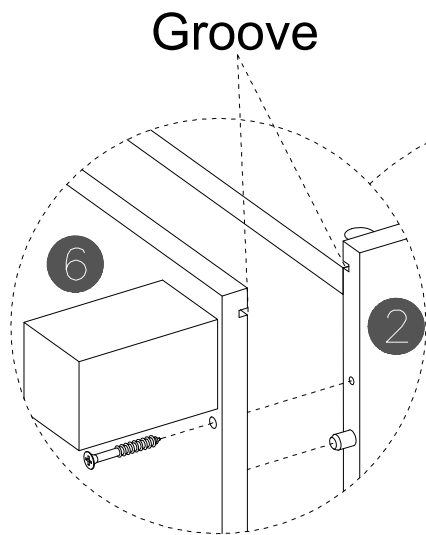


Inclined Plane

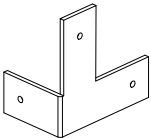
Inclined Plane

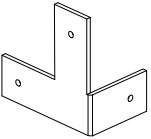
STEP 17


K x6pcs 

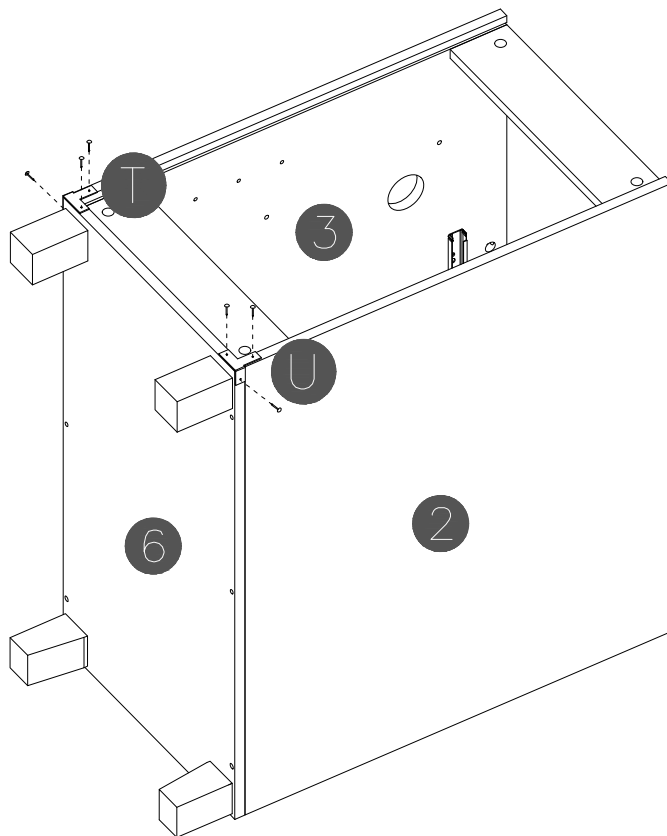
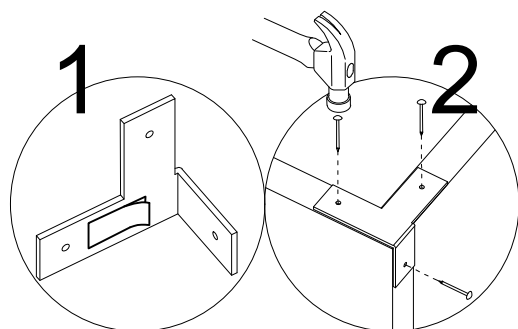


STEP 18

T x1pcs 

U x1pcs 

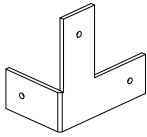
O x6pcs 



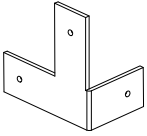
Peel off the adhesive sticker's protective paper and bond it onto the designated position before secure with nails.

STEP 19

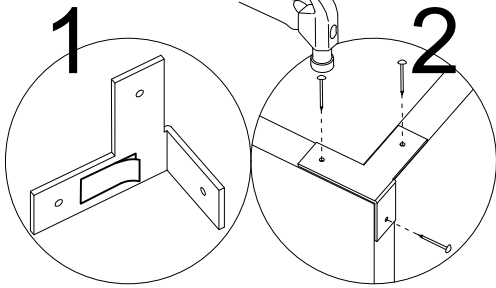
T x1pcs



U x1pcs

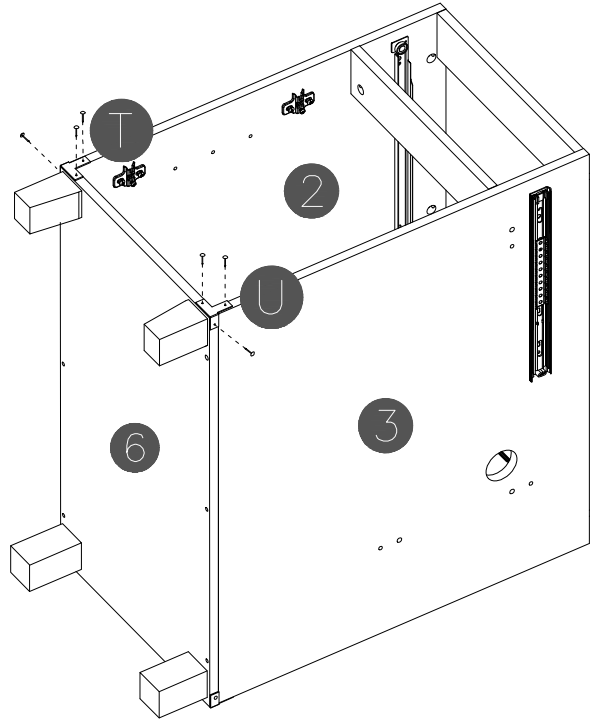


O x6pcs



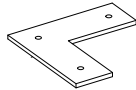
With assistant carefully flip the other side.

Peel off the adhesive sticker's protective paper and bond it onto the designated position before secure with nails.

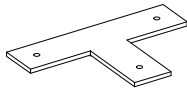


STEP 20

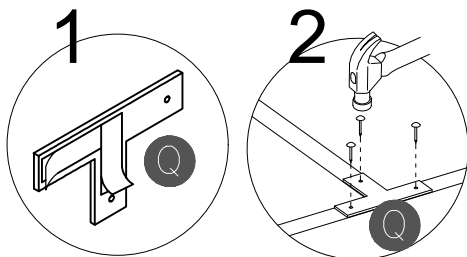
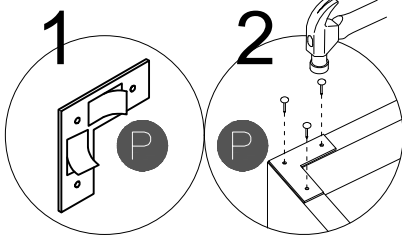
P x2pcs



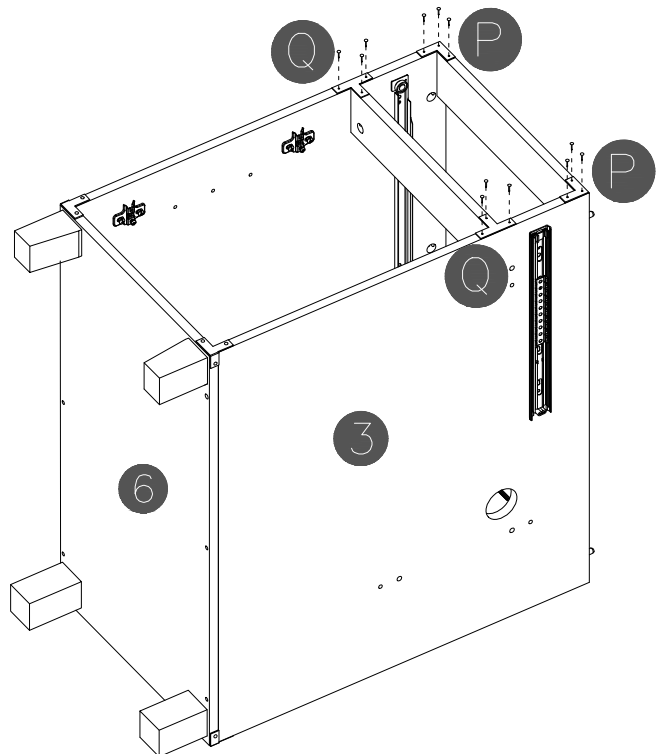
Q x2pcs



O x12pcs

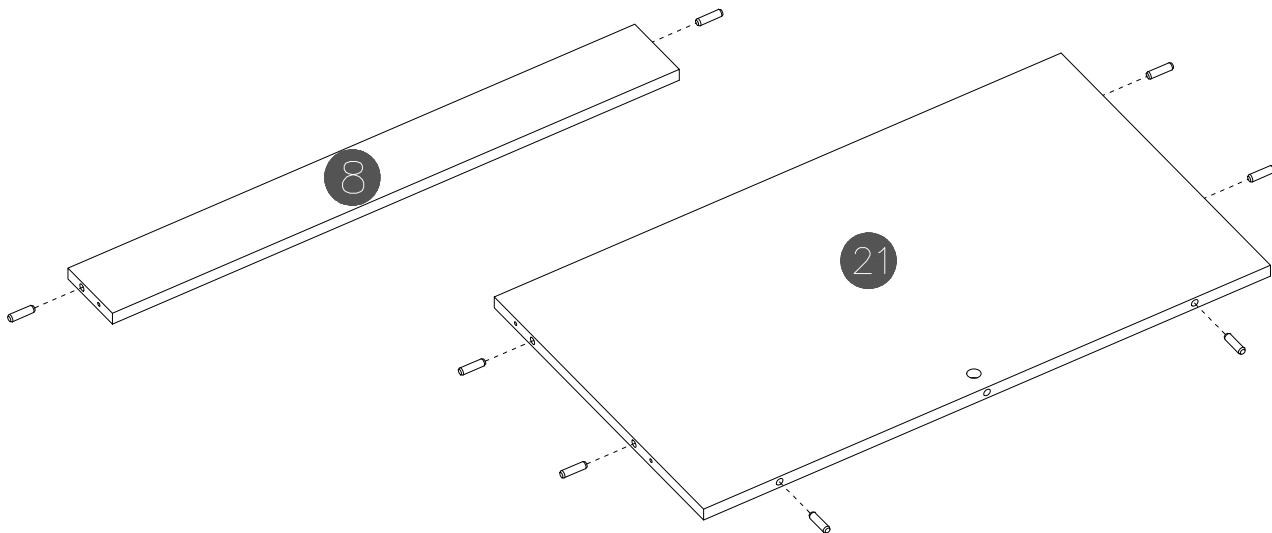
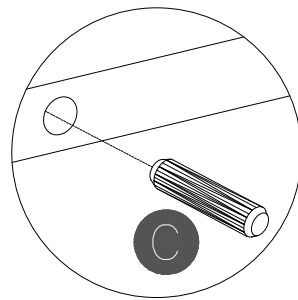
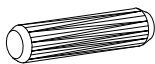


Peel off the adhesive sticker's protective paper and bond it onto the designated position before secure with nails.



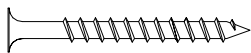
STEP 21

C x8pcs

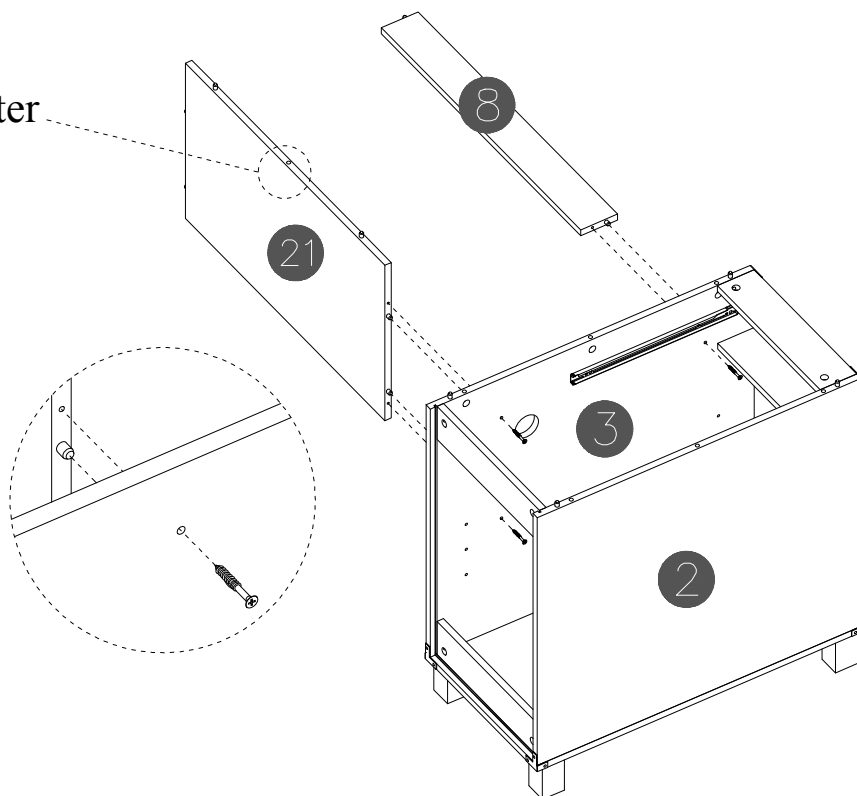


STEP 22

K x3pcs



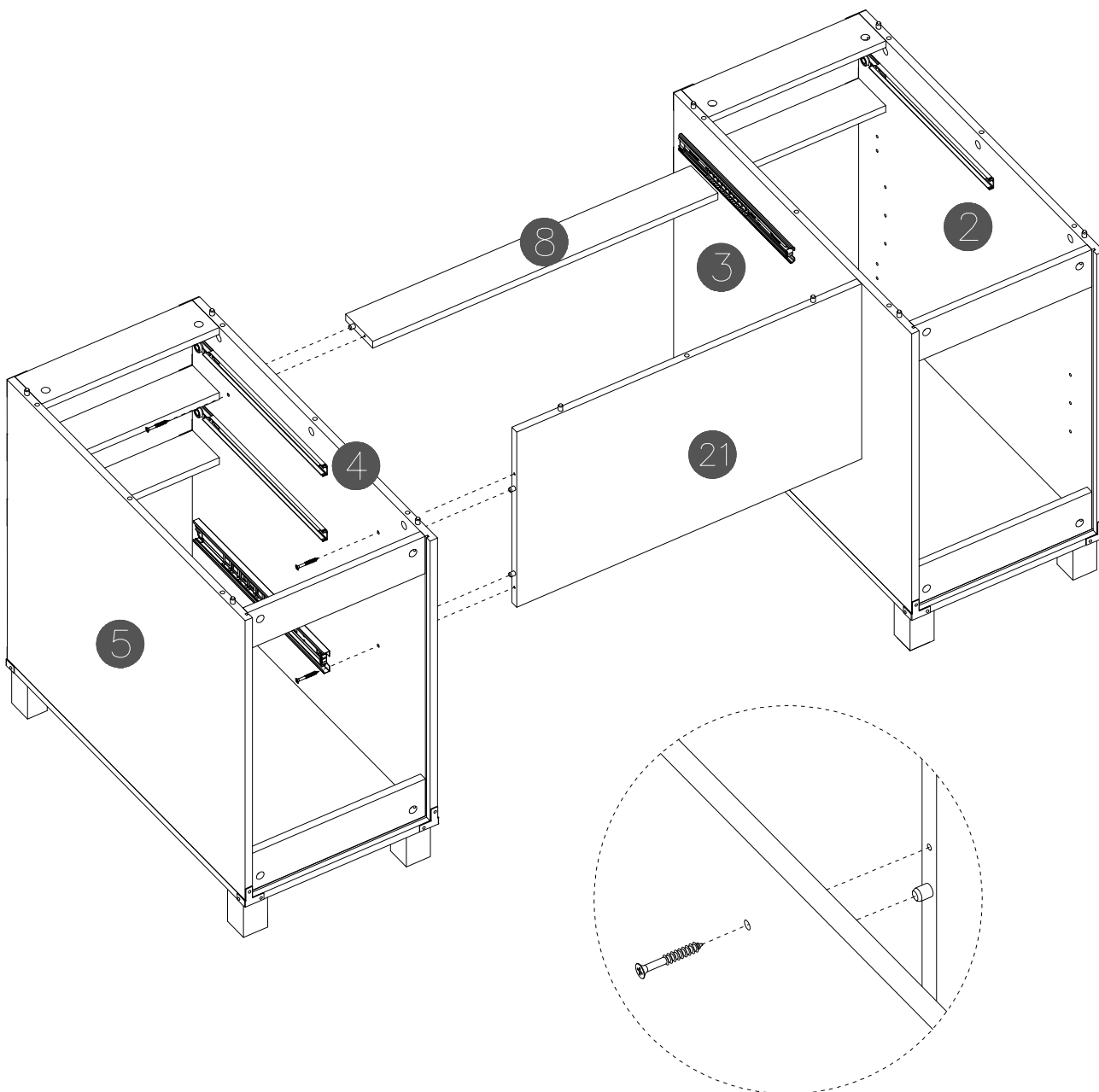
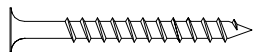
Holes 15 mm in diameter
face the other side



An assistant is required.
Es necesario un ayudante.
Un assistant est nécessaire.

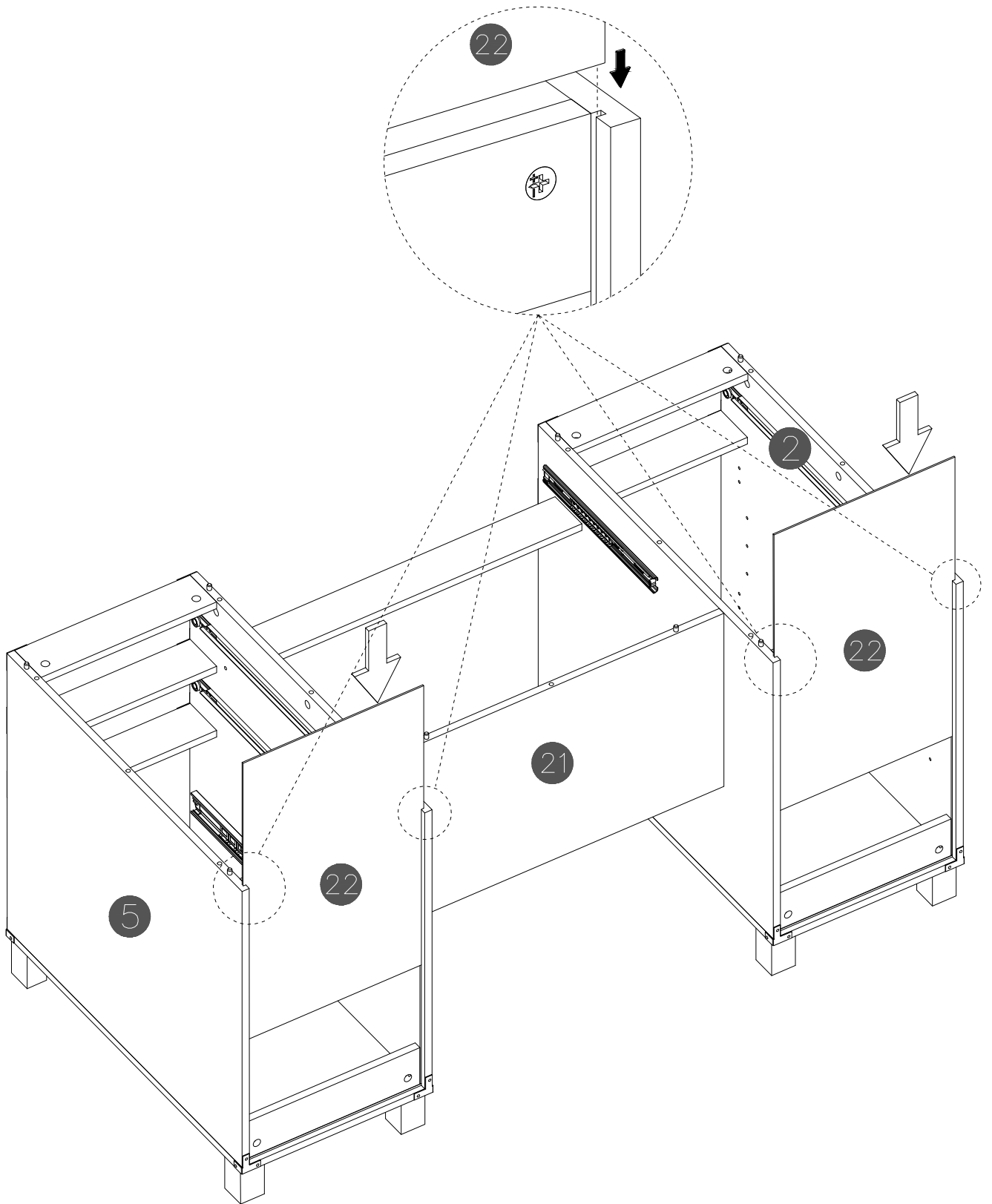
STEP 23

K x3pcs



An assistant is required.
Es necesario un ayudante.
Un assistant est nécessaire.

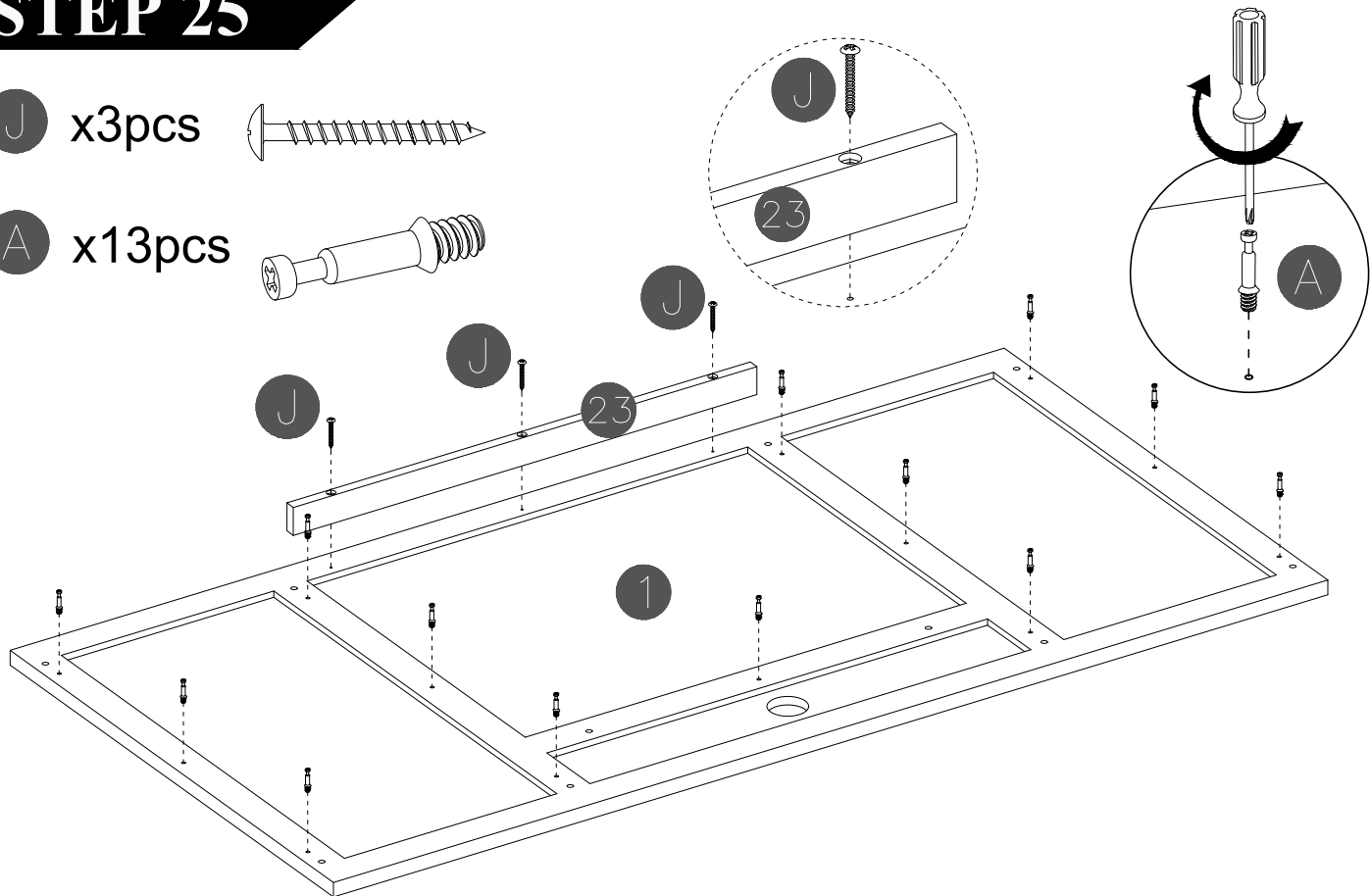
STEP 24



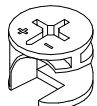
STEP 25

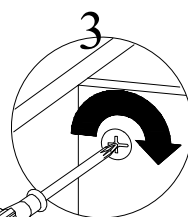
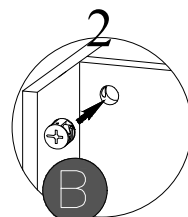
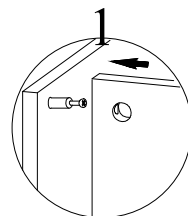
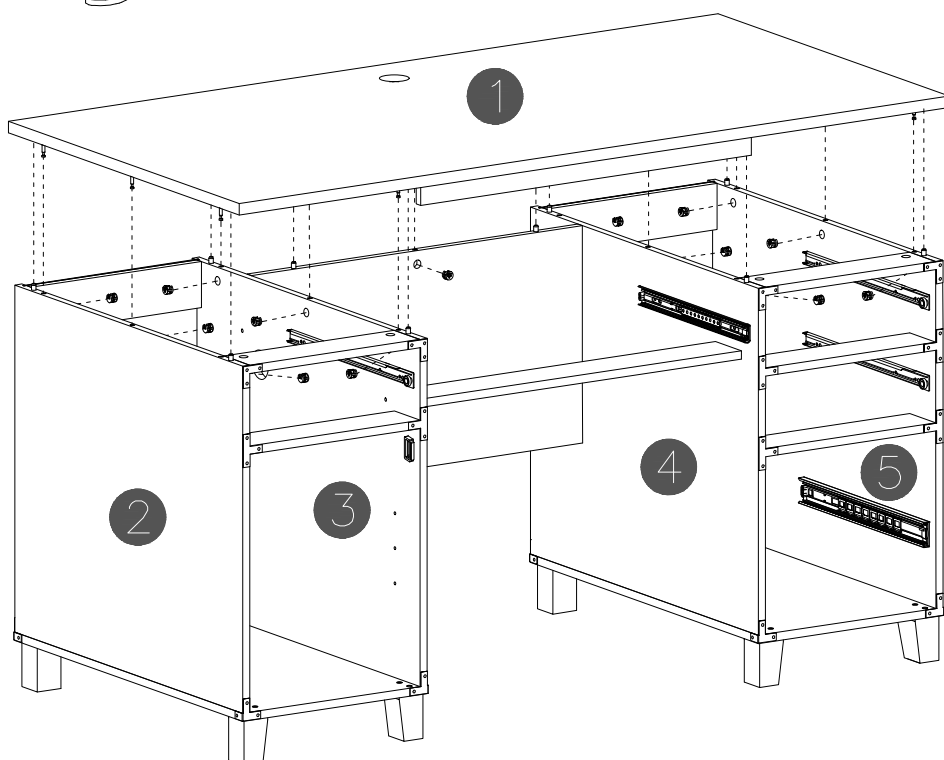
J x3pcs 

A x13pcs 



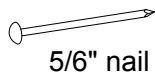
STEP 26

B x13pcs 

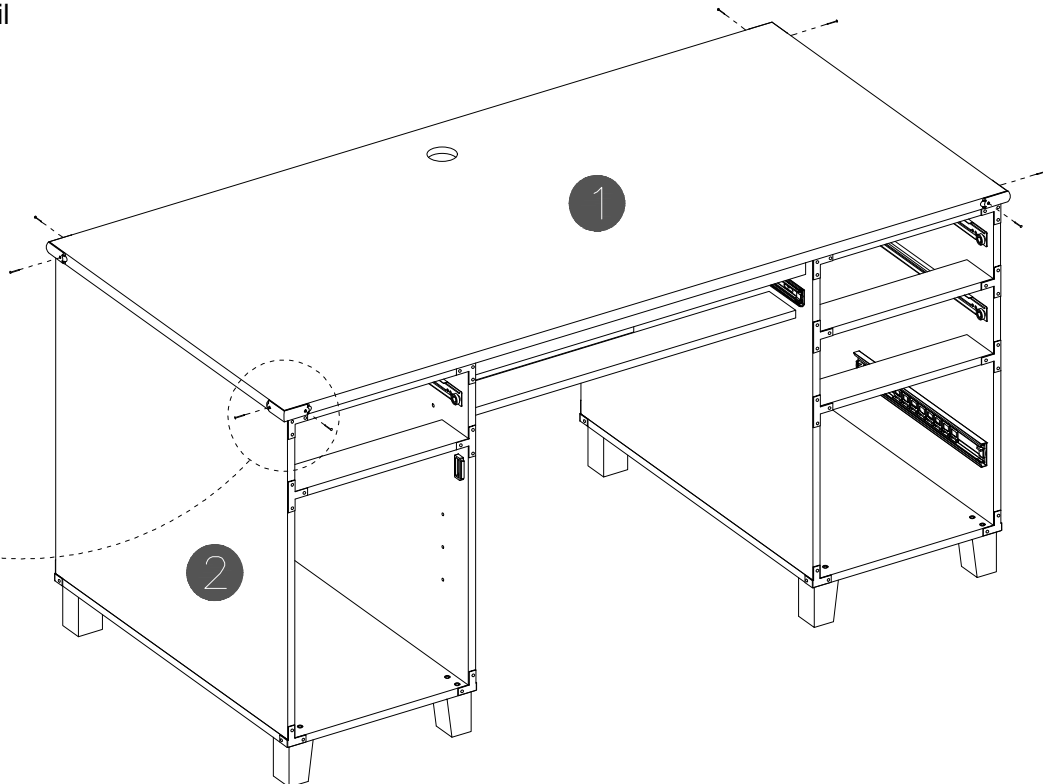
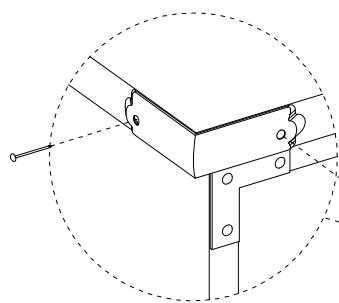
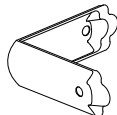


STEP 27

R x8pcs

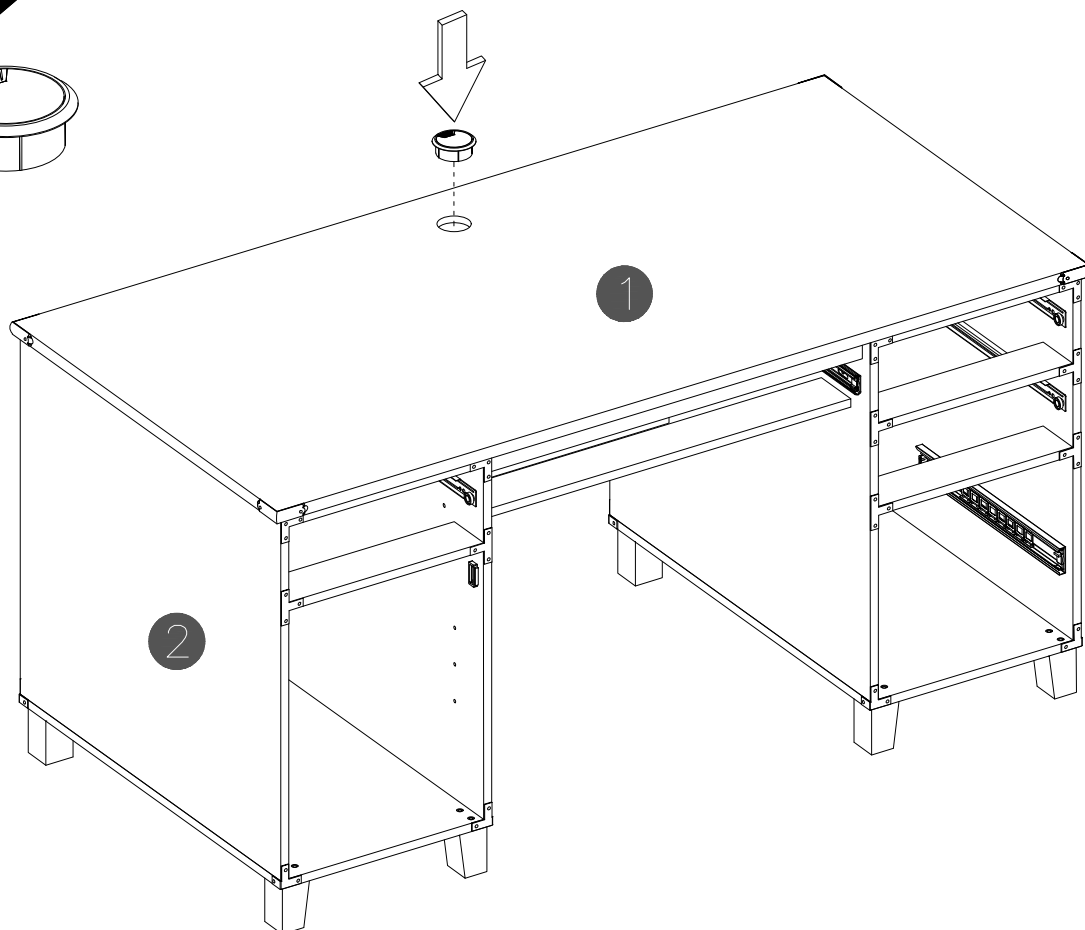
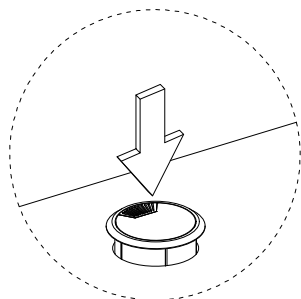
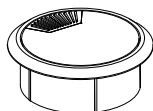


S x4pcs



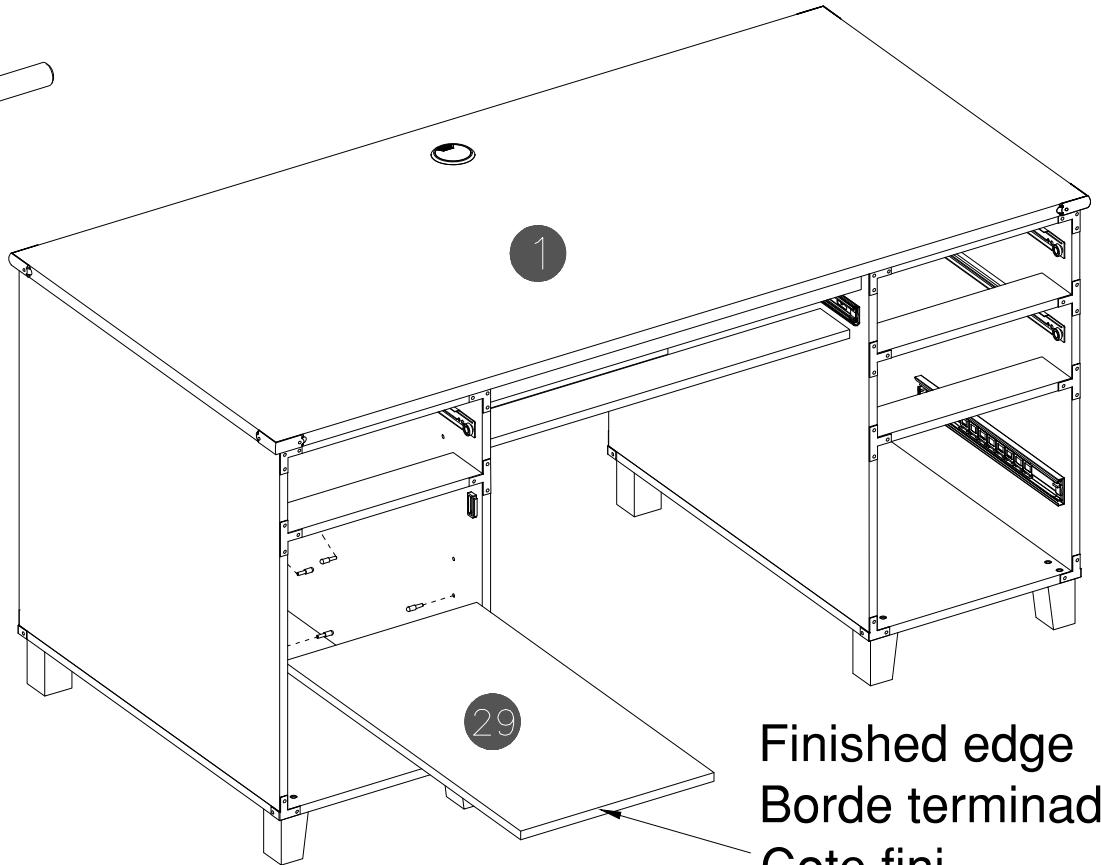
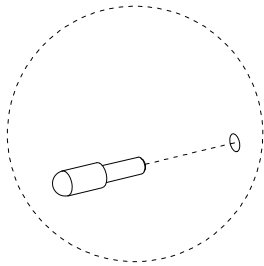
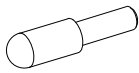
STEP 28

I x1pcs



STEP 29

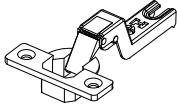
W x4pcs



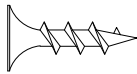
Finished edge
Borde terminado
Cote fini

STEP 30

D x2pcs



Z x4pcs



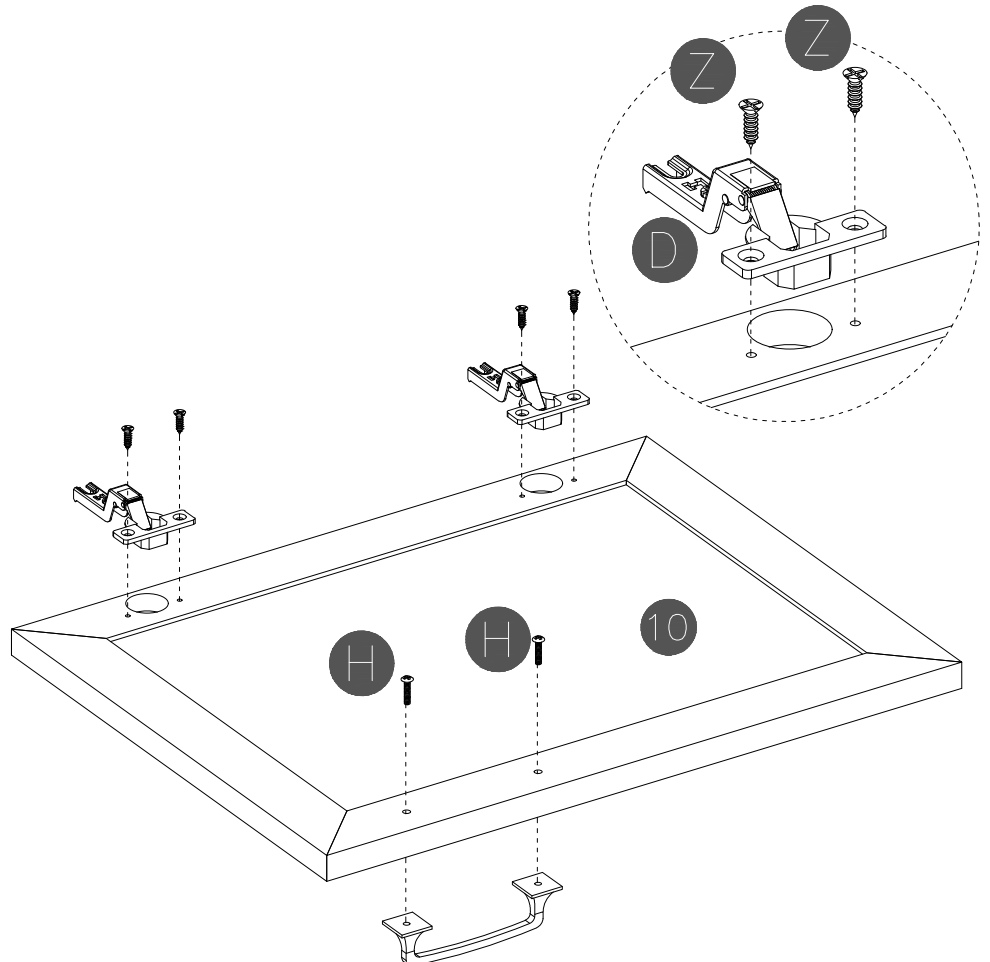
F x1pcs



H x2pcs

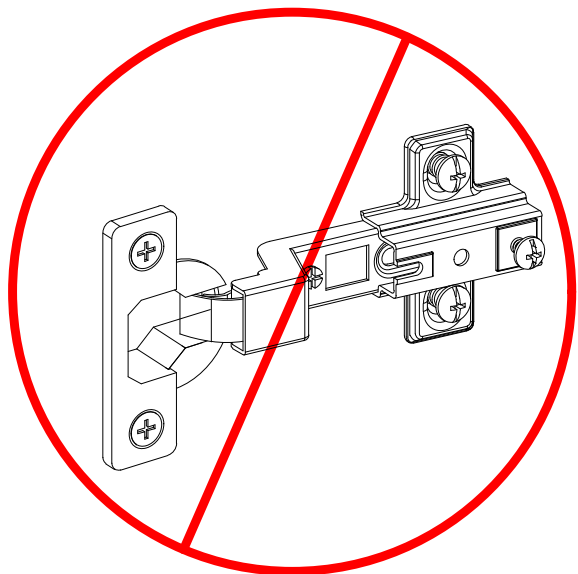


1" Screw



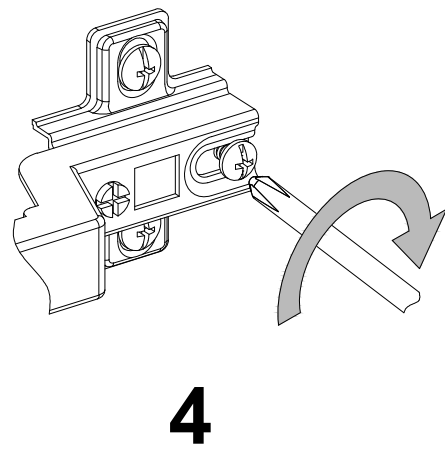
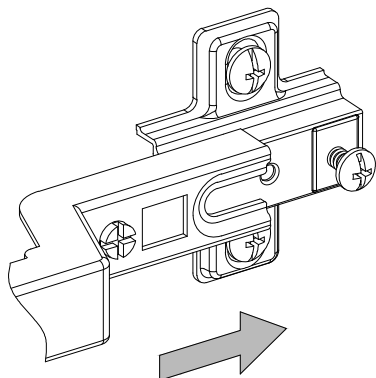
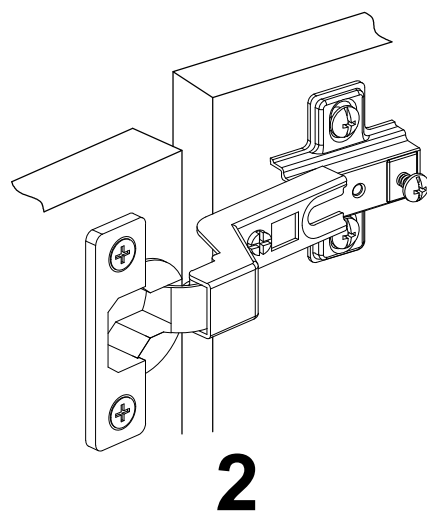
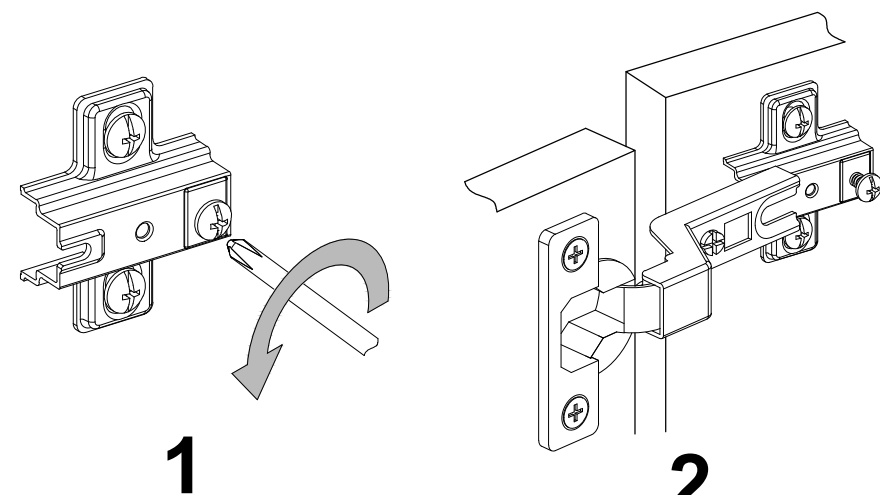
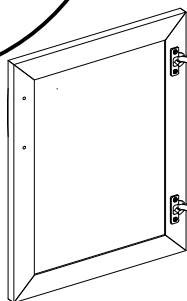
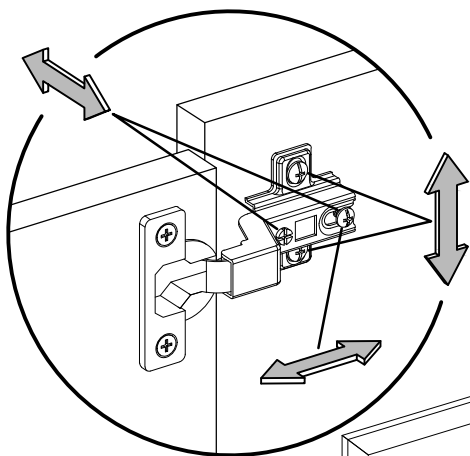
STEP 31

Installation



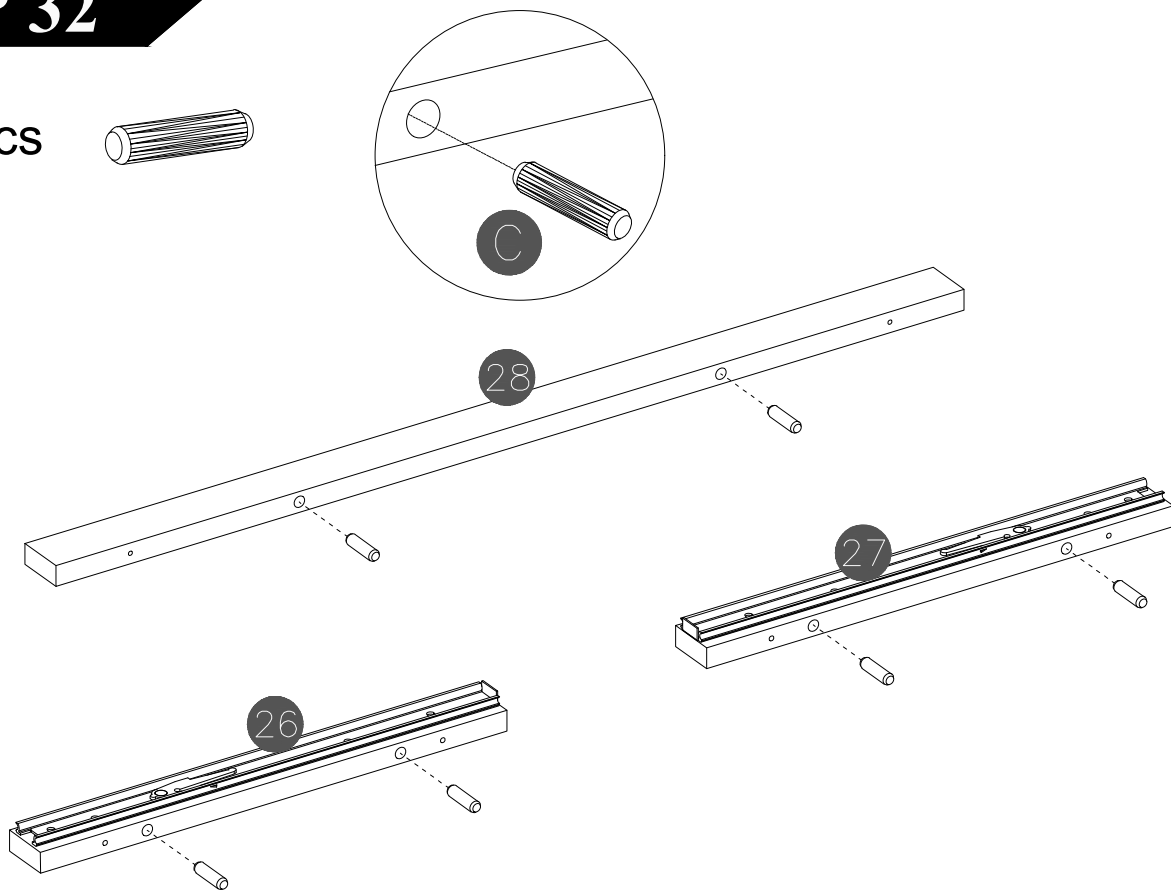
**DO NOT Insert
Hinge beneath mount**

Adjustment



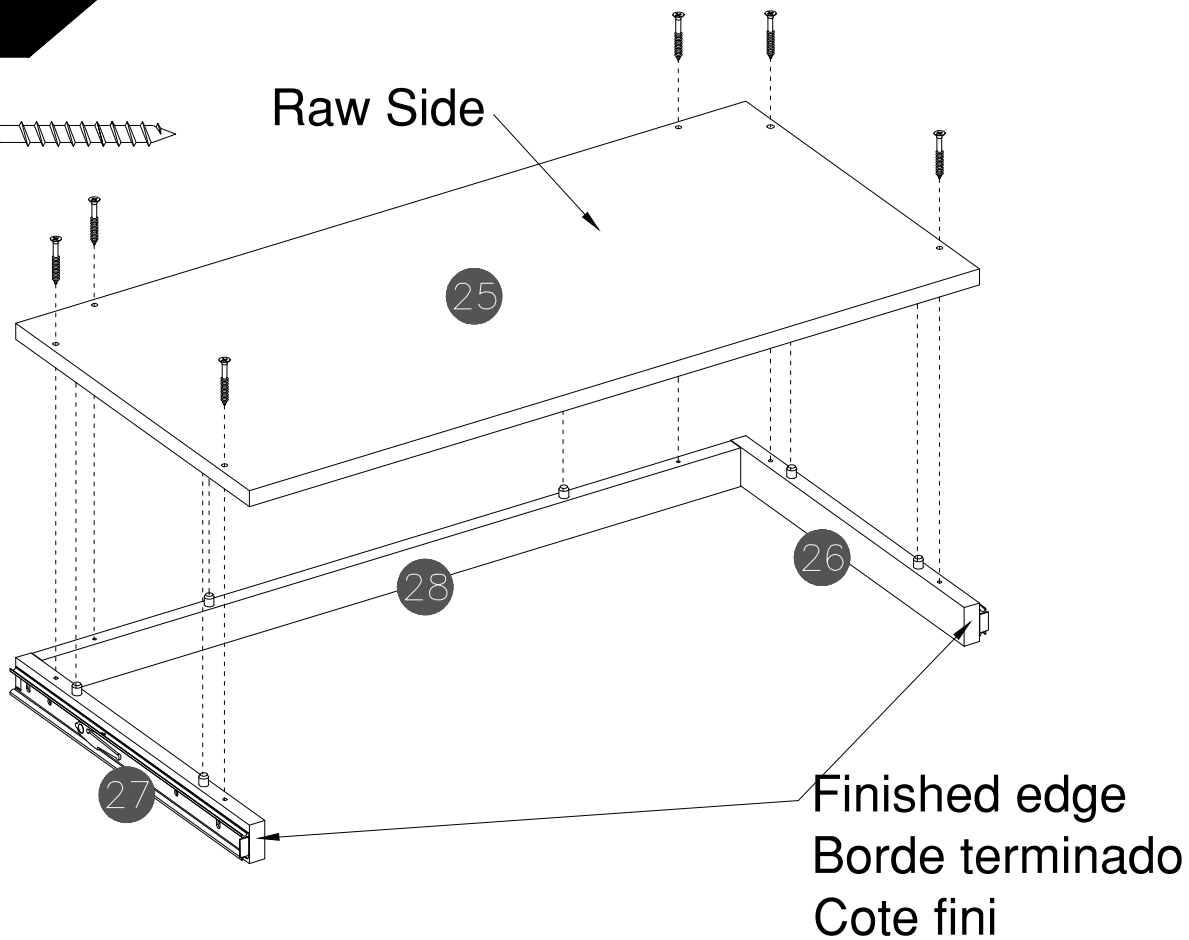
STEP 32

C x6pcs



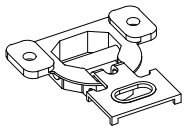
STEP 33

L x6pcs

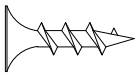


STEP 34

AA x2pcs



Z x4pcs



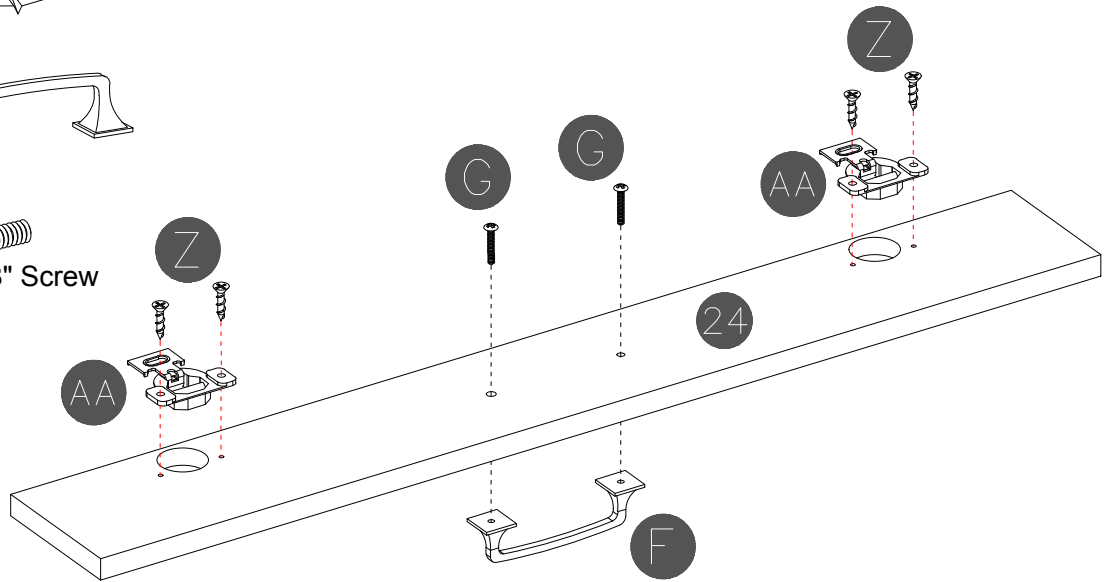
F x1pcs



G x2pcs

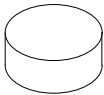


7/8" Screw

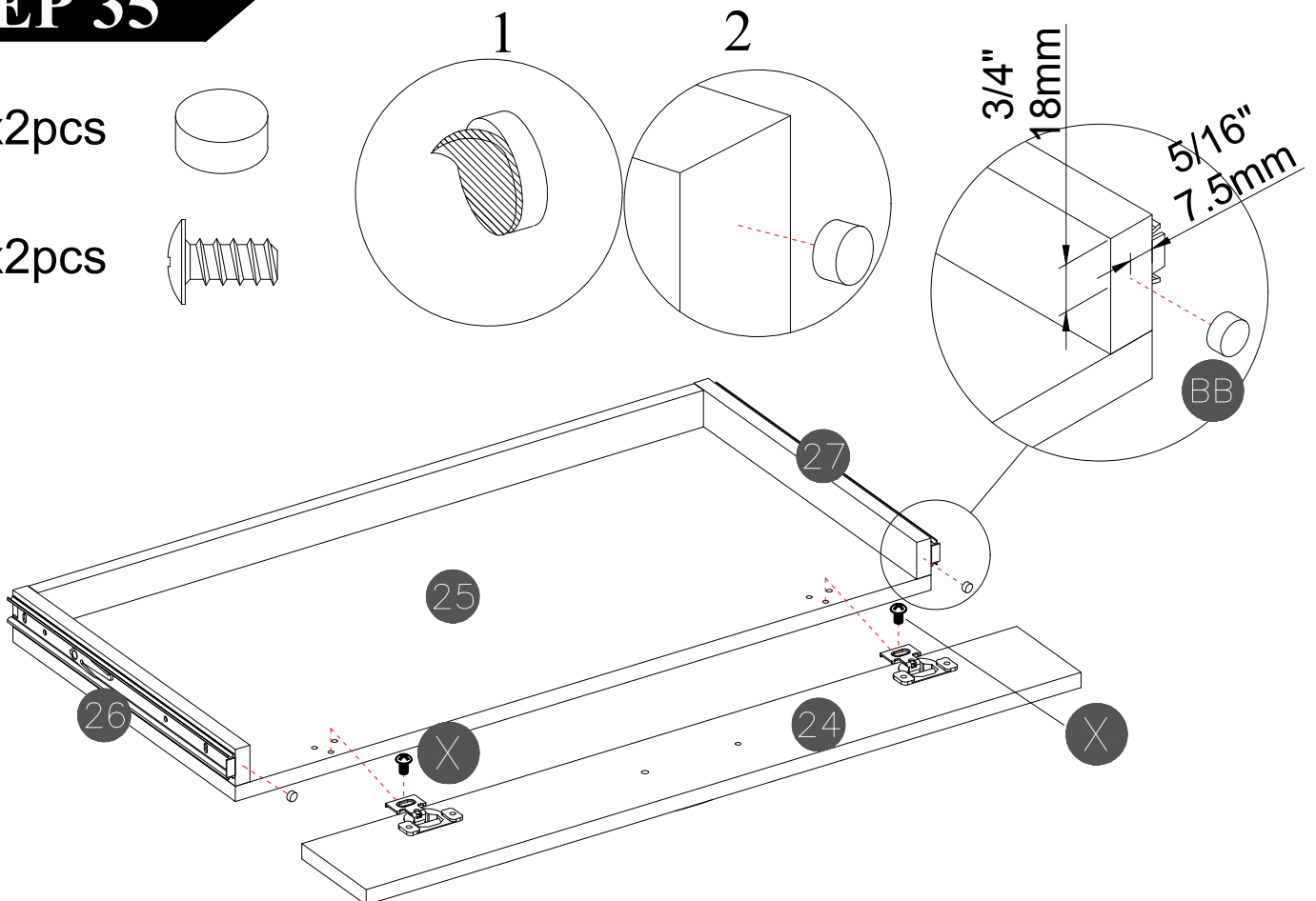
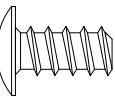


STEP 35

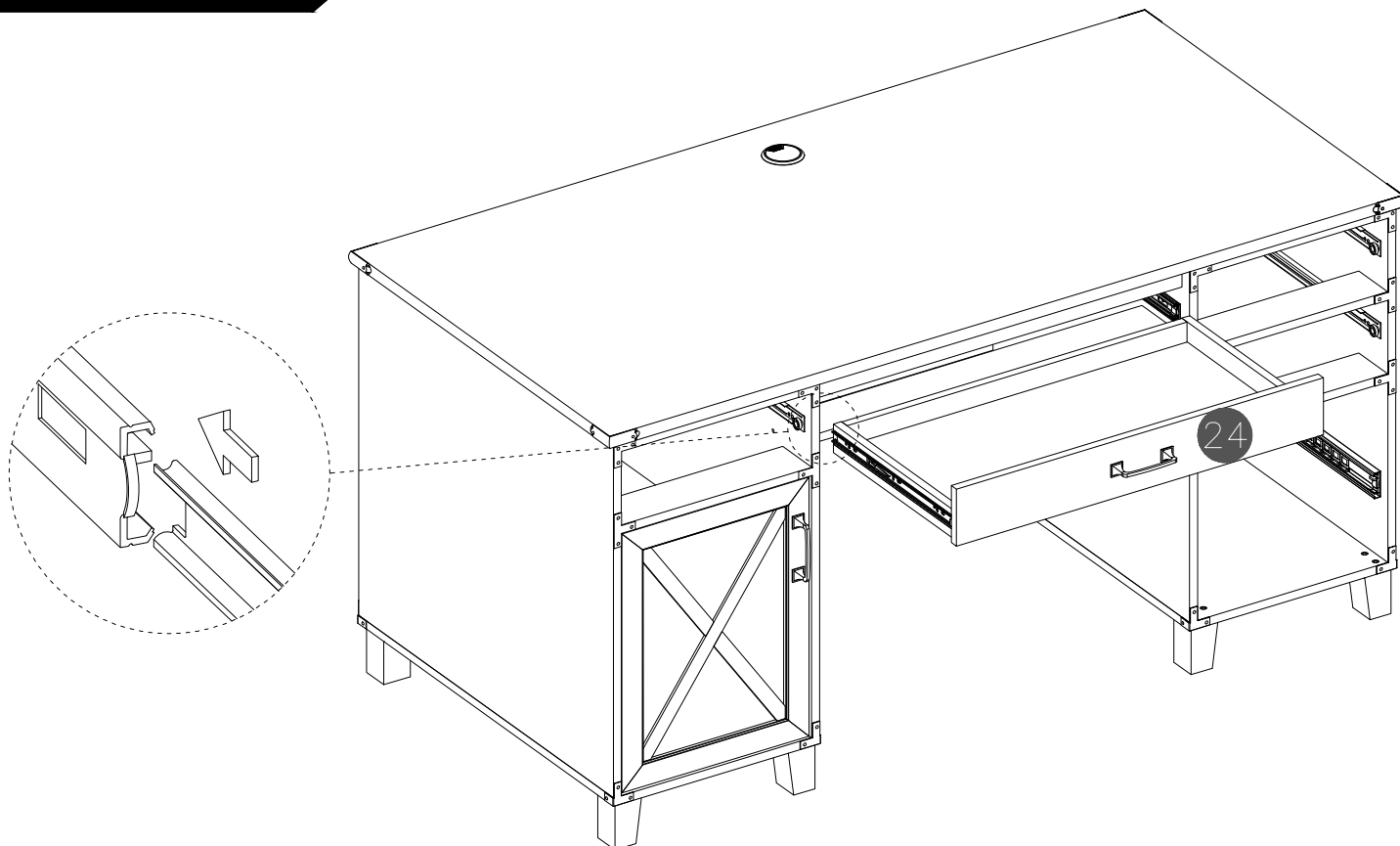
BB x2pcs



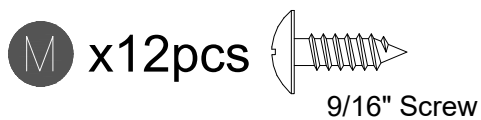
X x2pcs



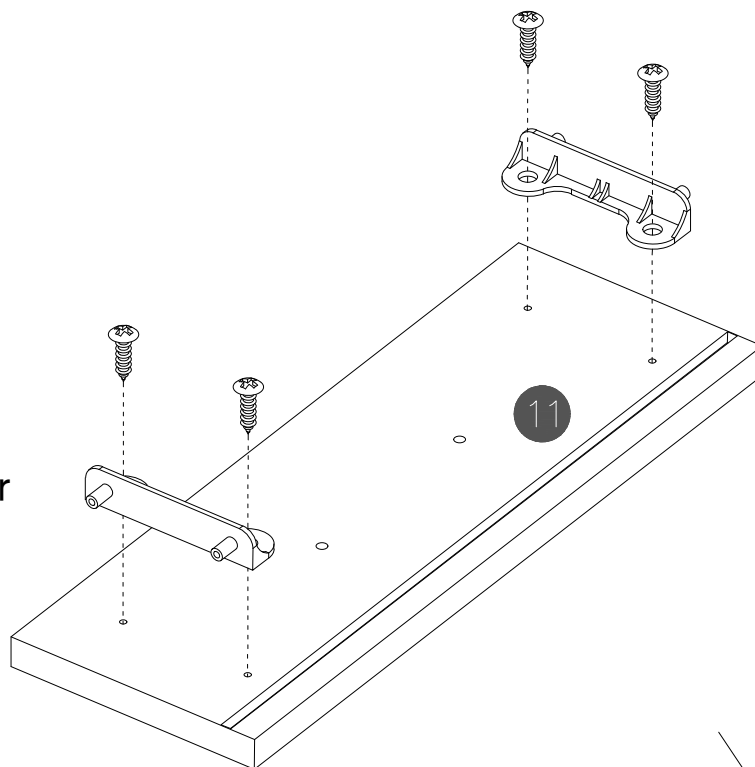
STEP 36



STEP 37



Do not tighten screws (M) for
drawer front adjustment on
later step

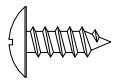


Do not use power tools for Drawer Bracket

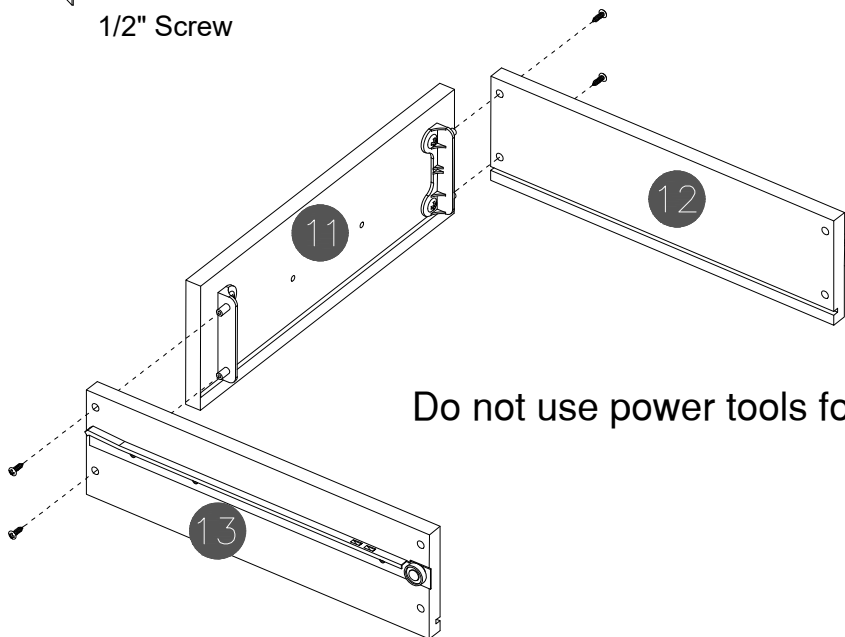
X3

STEP 38

N x12pcs



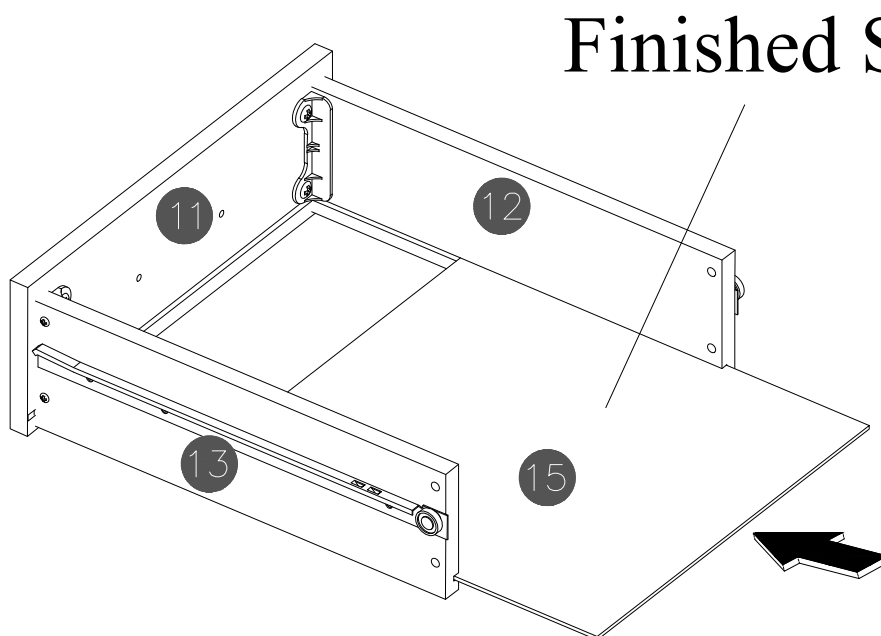
1/2" Screw



Do not use power tools for Drawer Bracket

X3

STEP 39

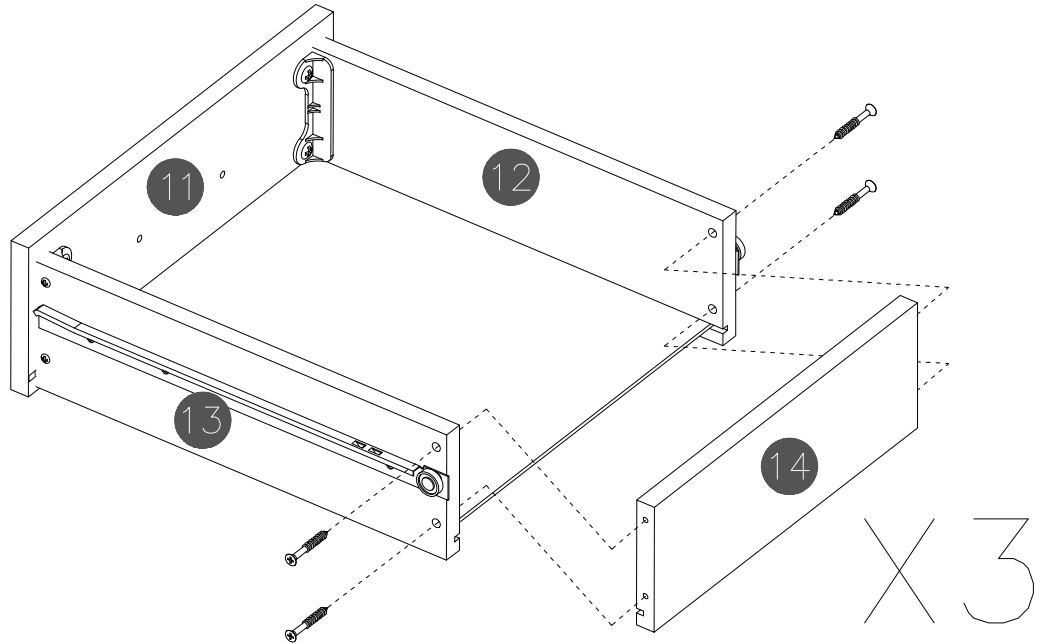


Finished Side

X3

STEP 40

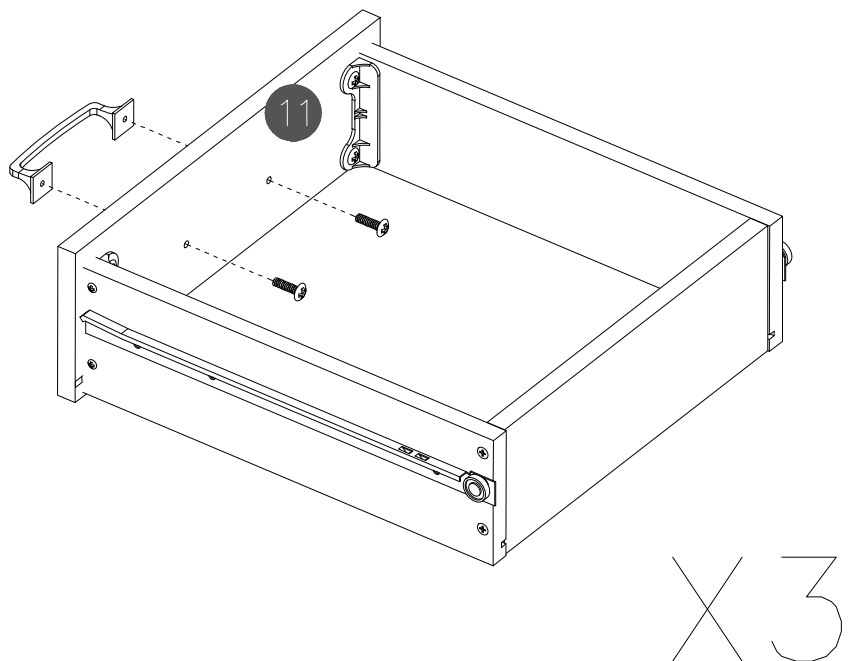
L x12pcs 



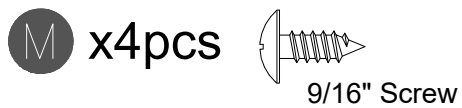
STEP 41

F x3pcs 

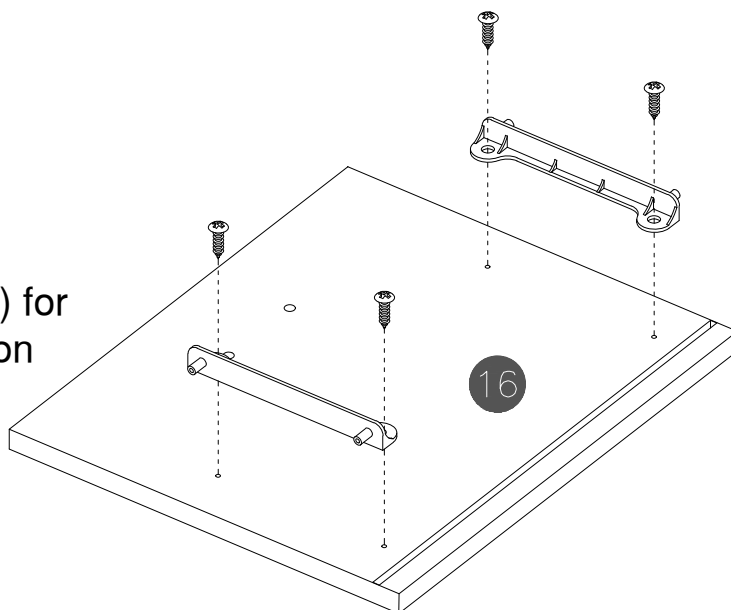
G x6pcs  7/8" Screw



STEP 42

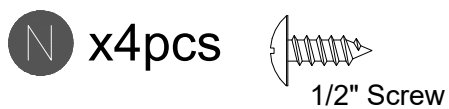


Do not tighten screws (M) for
drawer front adjustment on
later step

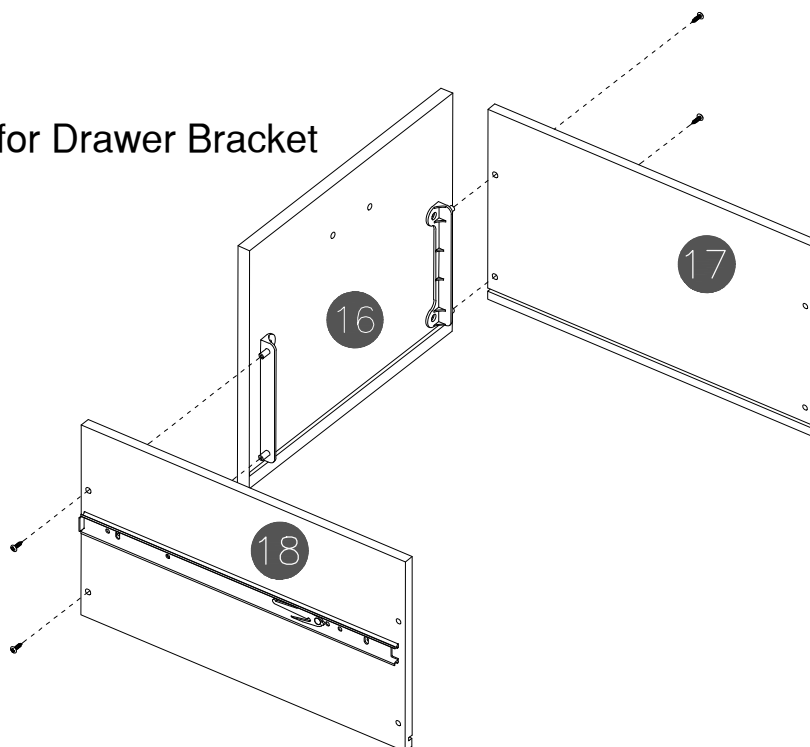


Do not use power tools for Drawer Bracket

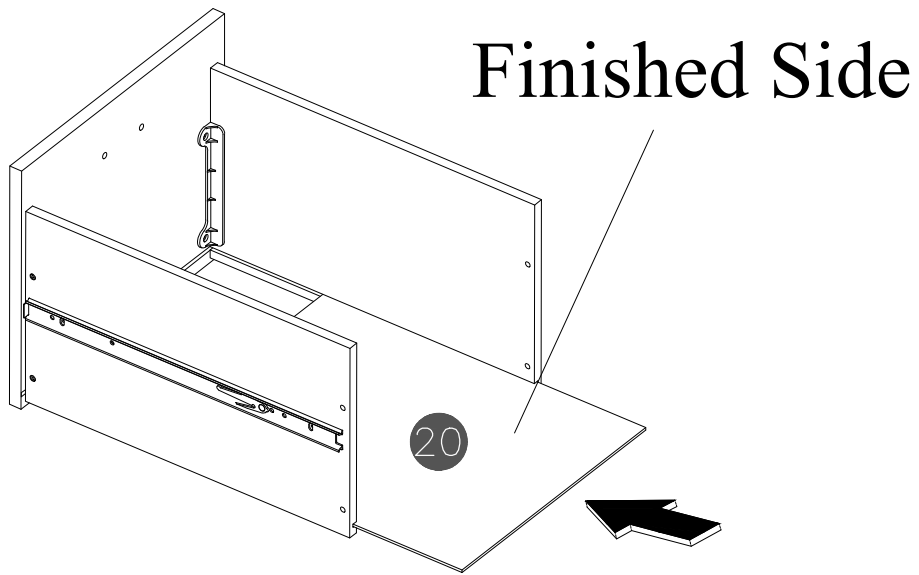
STEP 43



Do not use power tools for Drawer Bracket

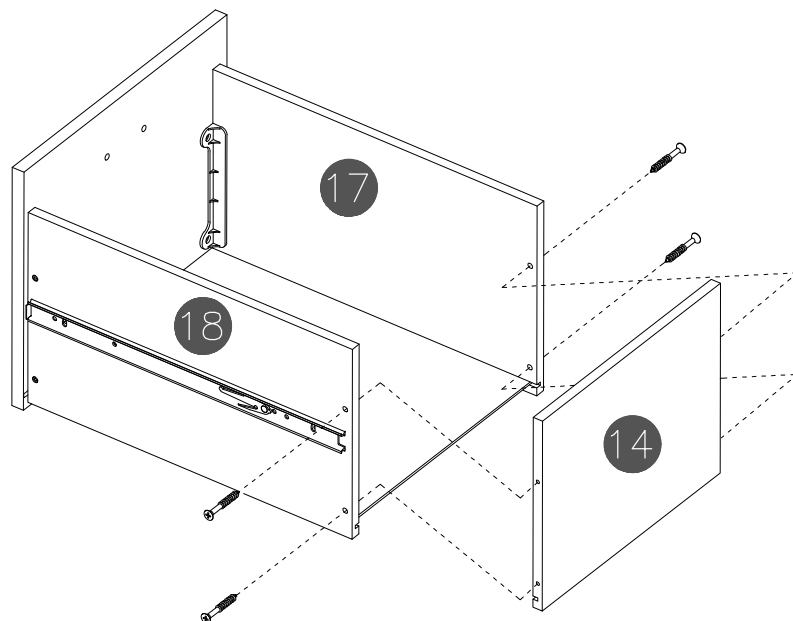


STEP 44



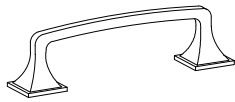
STEP 45

⌒ x4pcs 



STEP 46

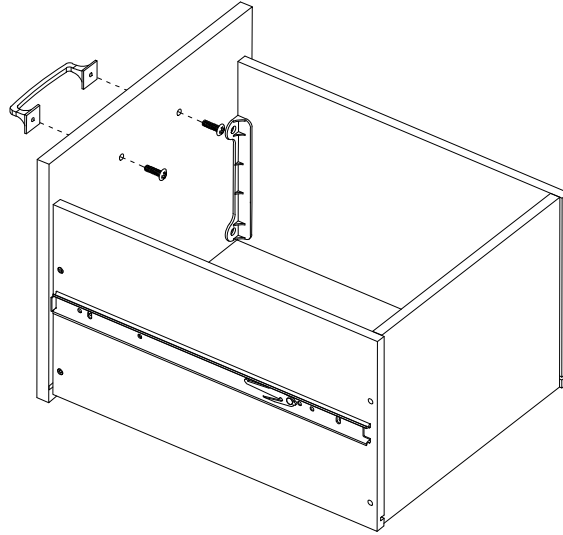
F x1pcs



G x2pcs

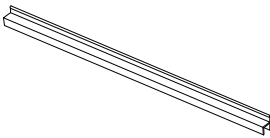


7/8" Screw

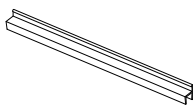


STEP 47

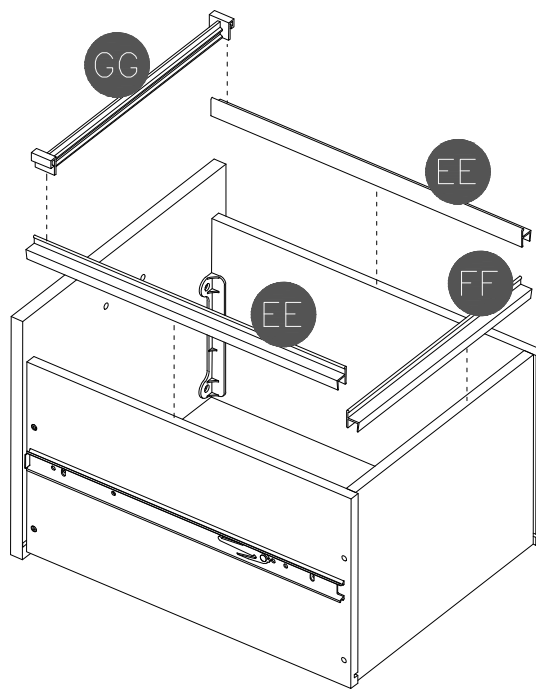
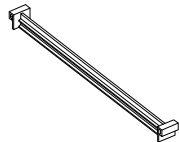
EE x2pcs



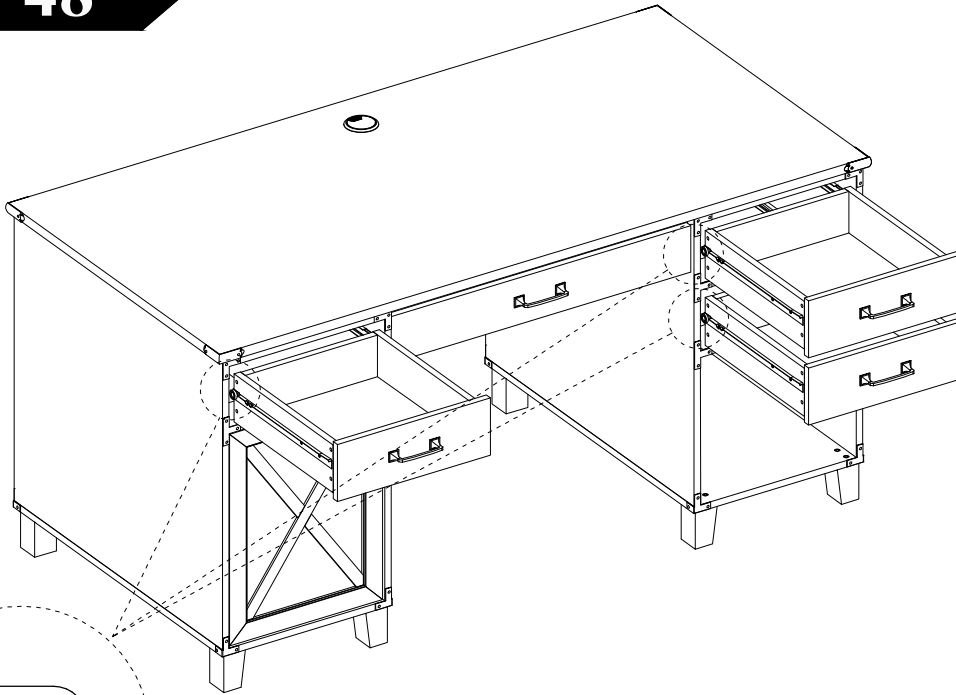
FF x1pcs



GG x1pcs



STEP 48



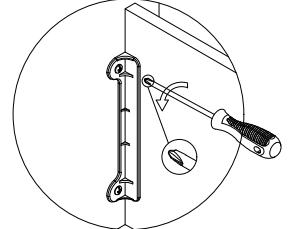
- Move unit to final location.
- Adjust drawer fronts as shown below.

Step1--Loosen screws on back of drawer front brackets as shown.

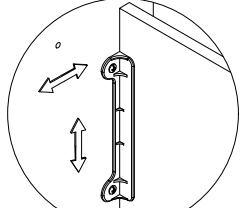
Step2--Position drawer front as required.

Step3--Tighten screws while holding drawer front in position.

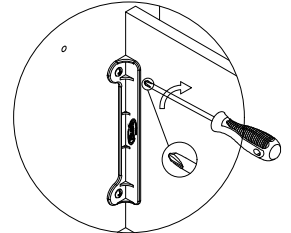
STEP 1.



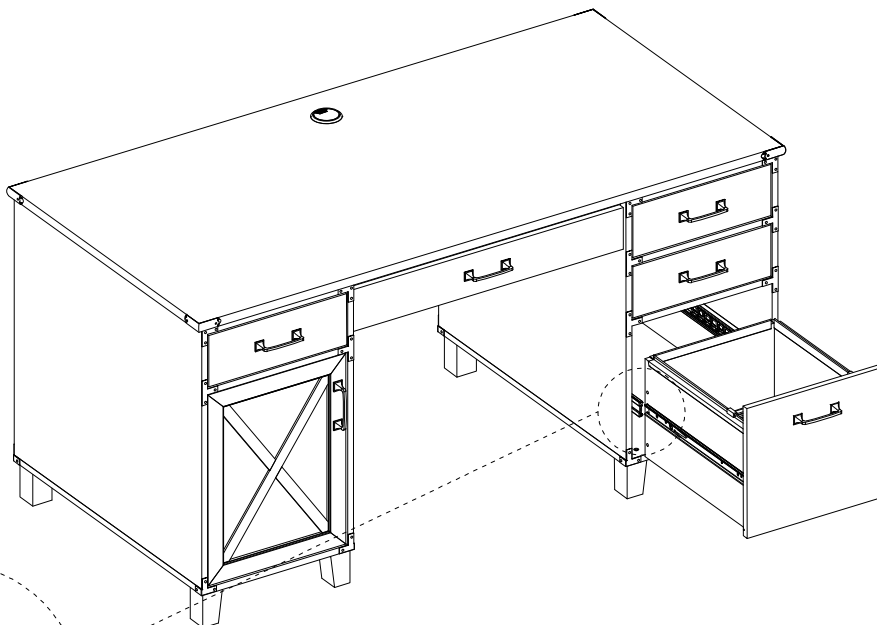
STEP 2.



STEP 3.



STEP 49



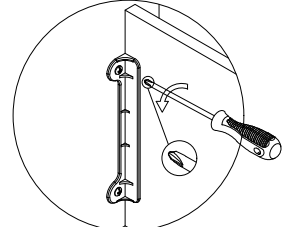
- Move unit to final location.
- Adjust drawer fronts as shown below.

Step1--Loosen screws on back of drawer front brackets as shown.

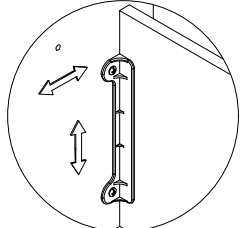
Step2--Position drawer front as required.

Step3--Tighten screws while holding drawer front in position.

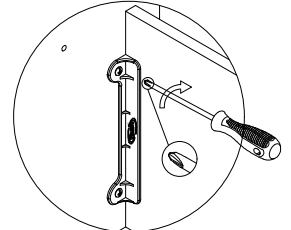
STEP 1.



STEP 2.



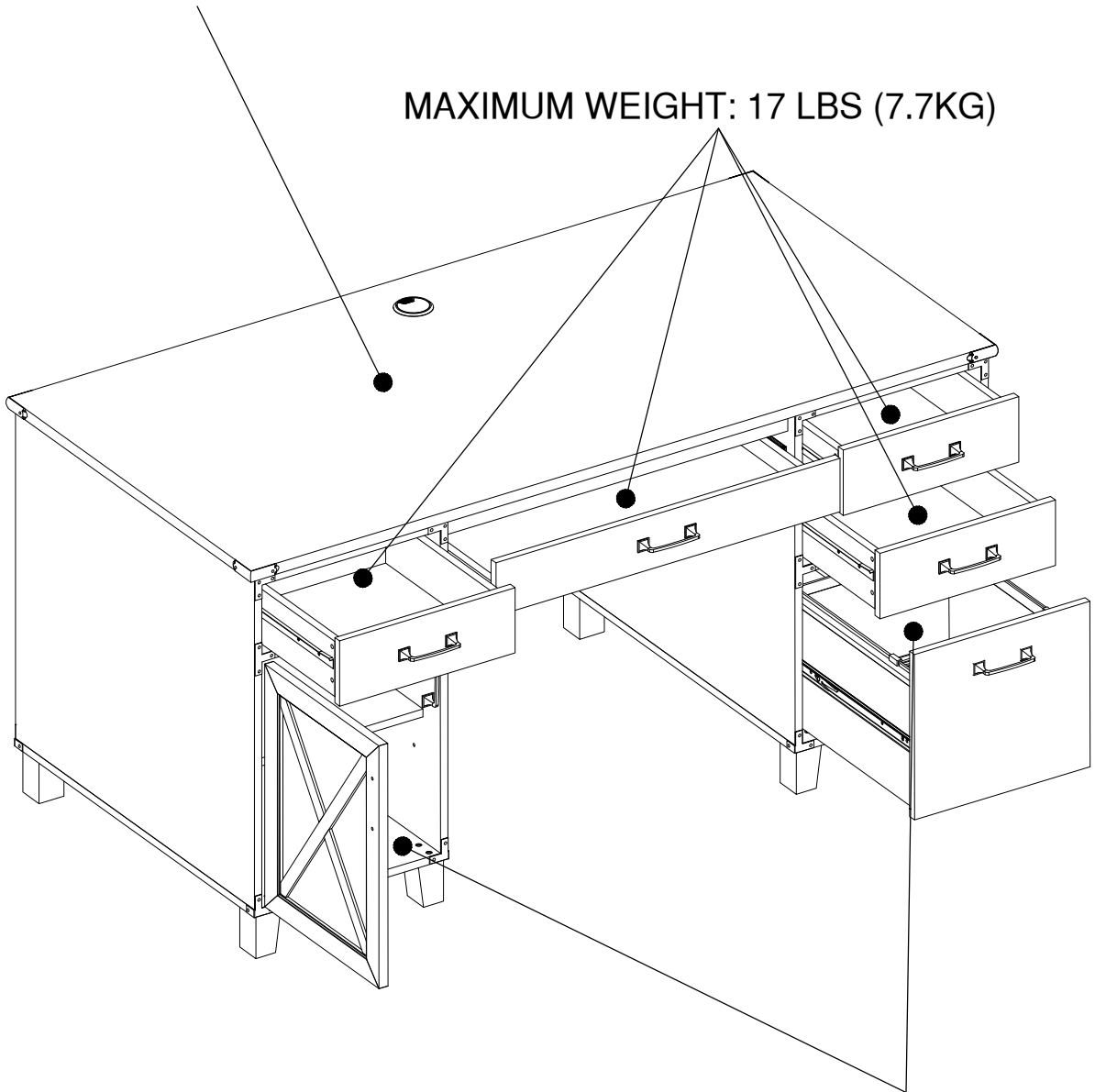
STEP 3.



Maximum weight capacities

MAXIMUM WEIGHT: 200 LBS (91KG)

MAXIMUM WEIGHT: 17 LBS (7.7KG)



MAXIMUM WEIGHT: 33 LBS (15KG)