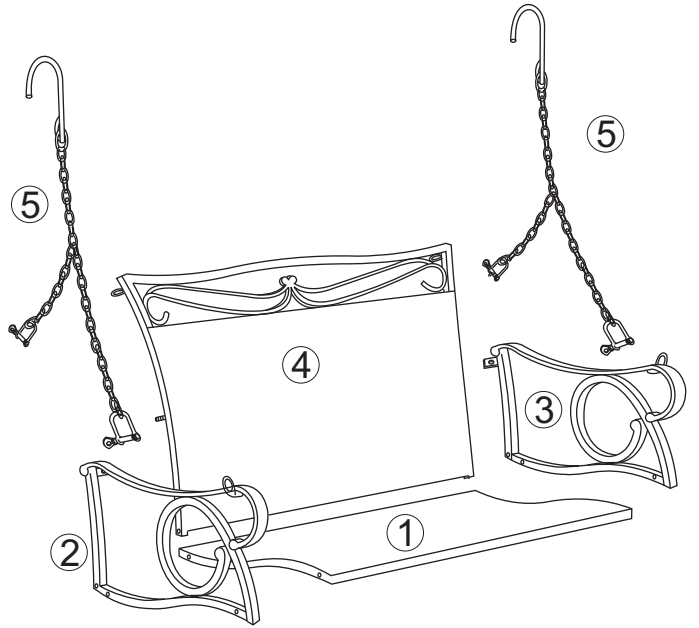
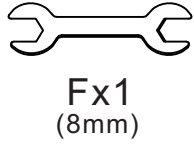
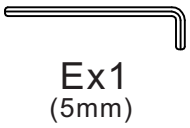
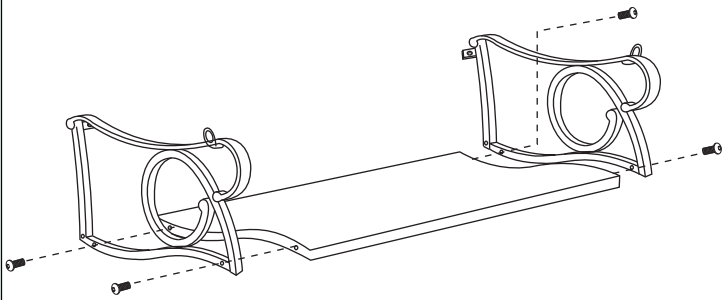


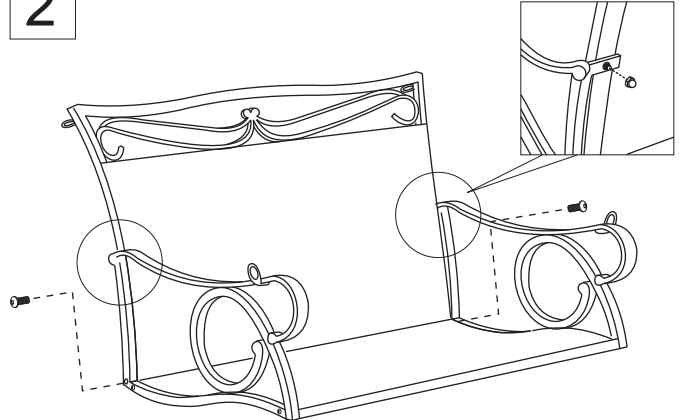
ASSEMBLY INSTRUCTIONS



1



2

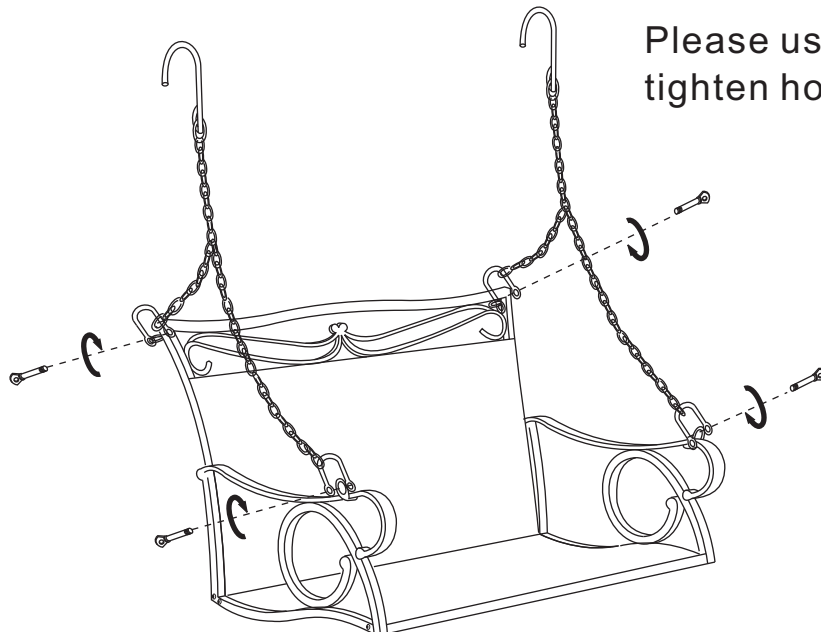


Ax2

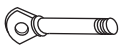


Bx2

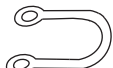
3



Please use pliers to fully tighten hook screw "C".



Cx4



Dx4