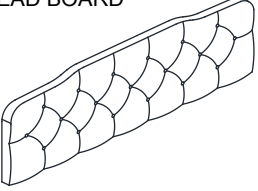
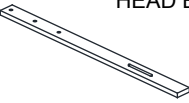









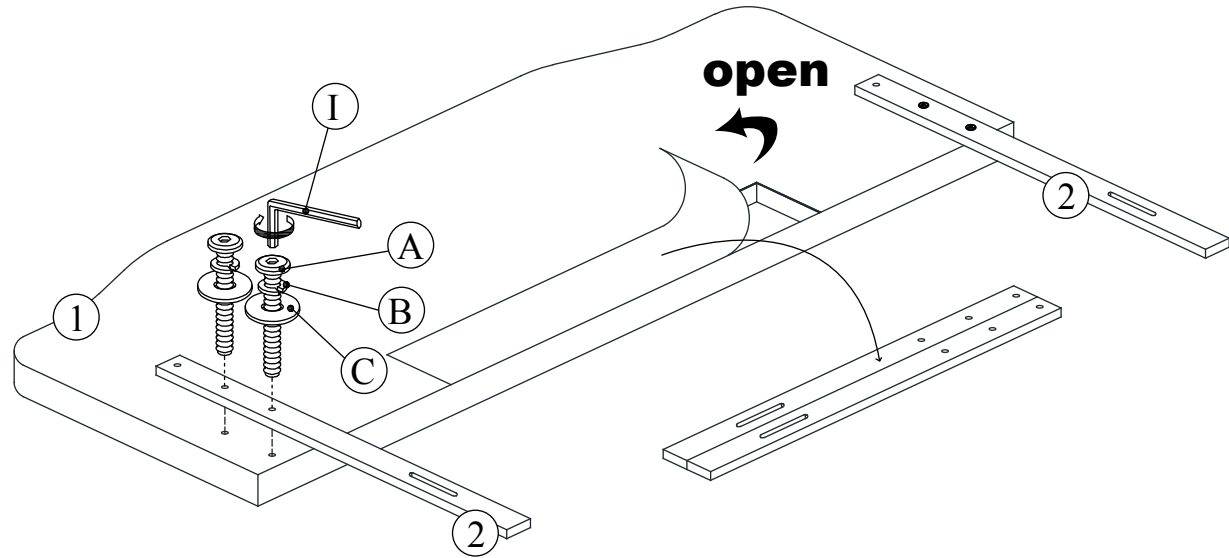


ASSEMBLY INSTRUCTION

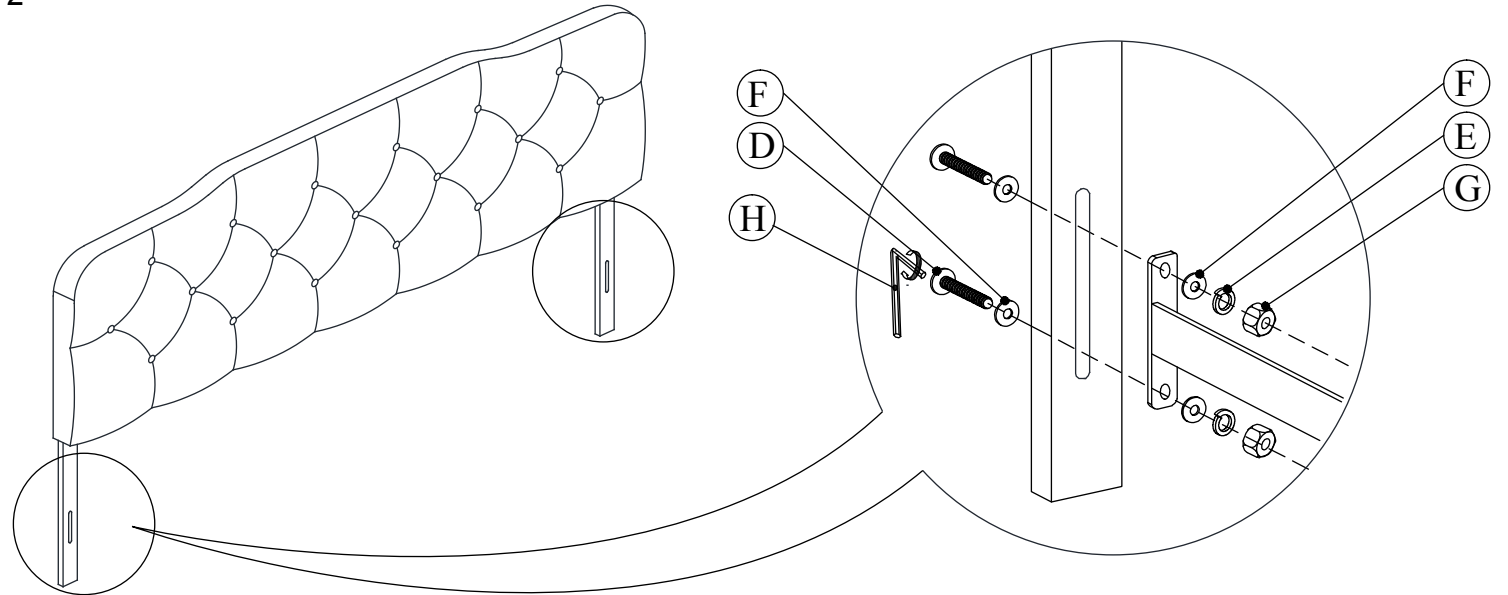
KING HEADBOARD

NO	PART LIST	QTY
1	HEAD BOARD 	1pc
2	HEAD BOARD LEG 	2pcs
NO	HARDWARE LIST	QTY
A	JCBC SCREW M8 x 35mm 	4pcs
B	SPRING WASHER M8 x 14mm 	4pcs
C	FLAT WASHER M8 x 22mm 	4pcs
D	JCBC SCREW M6 x 50mm 	4pcs
E	SPRING WASHER M6 x 12mm 	4pcs
F	FLAT WASHER M6 x 19mm 	8pcs
G	HEX NUT M6 x 5mm 	4pcs
H	L - KEY M4 x 65mm 	1pc
I	L - KEY M5 x 65mm 	1pc

STEP 1



STEP 2



NOTE: AFTER A FEW DAYS OF ASSEMBLY, IT WILL HAVE ACCLIMATIZED TO THE ENVIRONMENT. PLEASE TIGHTEN ALL HARDWARE. CHECK TIGHTNESS OF ALL SCREWS EVERY 6-8 WEEKS.