

# INSTALLATION MANUAL

## CEILING FAN WITH LIGHT

Model No.: FS6993-01

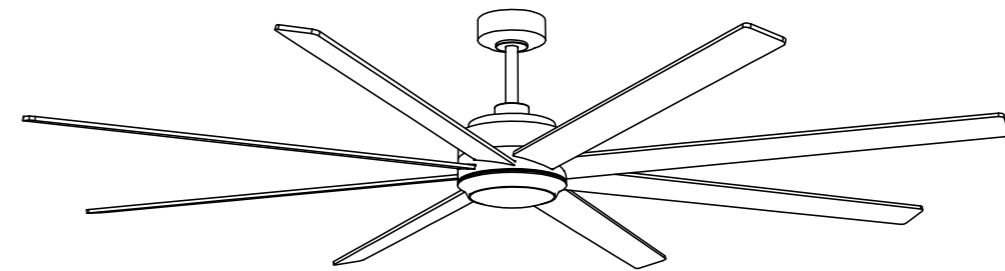


Scan for Installation Video



APP Control Applicable

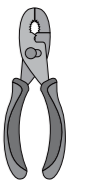
**Thank you for choosing and using our product.**



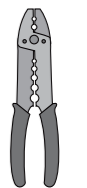
### TOOLS REQUIRED



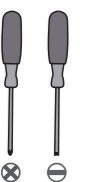
Ladder



Pliers

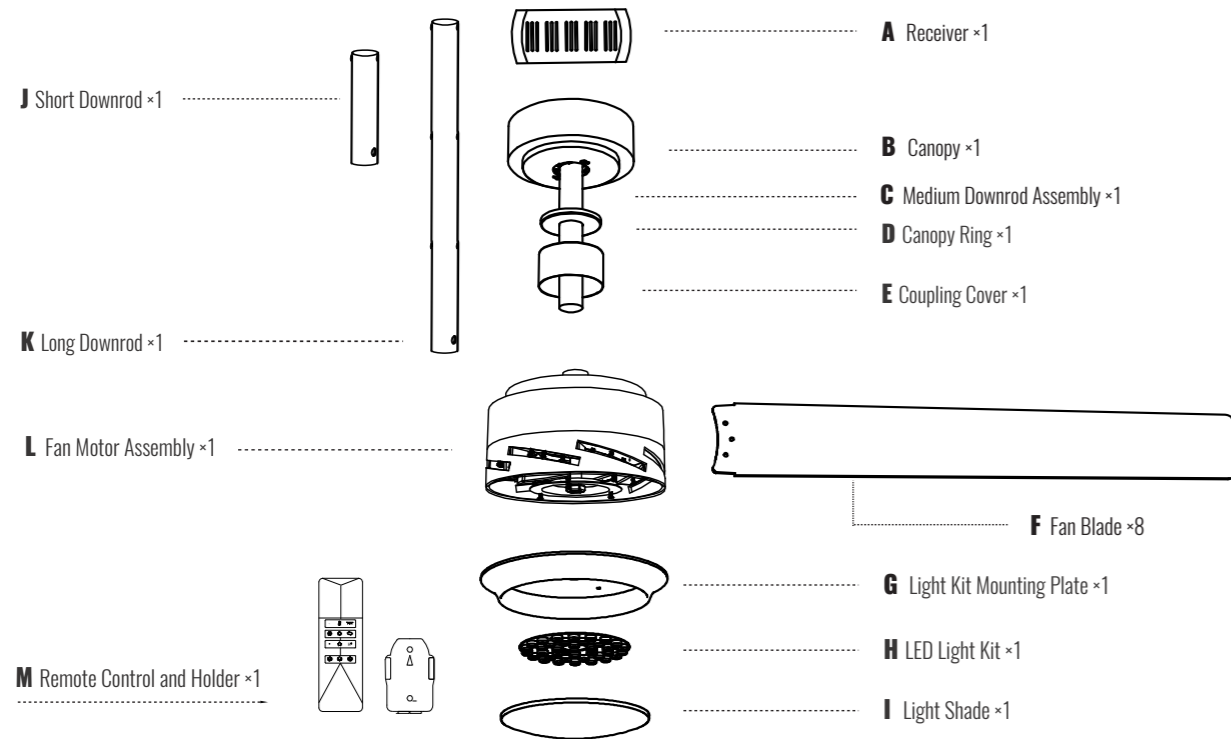


Wire Strippers

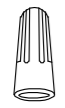


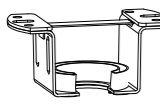

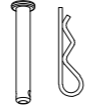


Screwdrivers

## PACKING LIST



## INSTALLATION KIT

<b>AA</b>	3×	<b>BB</b>	24×	<b>CC</b>	1×
					
Wire Nut		Fan Blade Screw		Gloves	
<b>DD</b>	1×	<b>EE</b>	2×	<b>FF</b>	1×
					
Mounting Bracket		Outlet Box Screw With Washer		Clevis Pin & "R" Pin	

### NOTE:

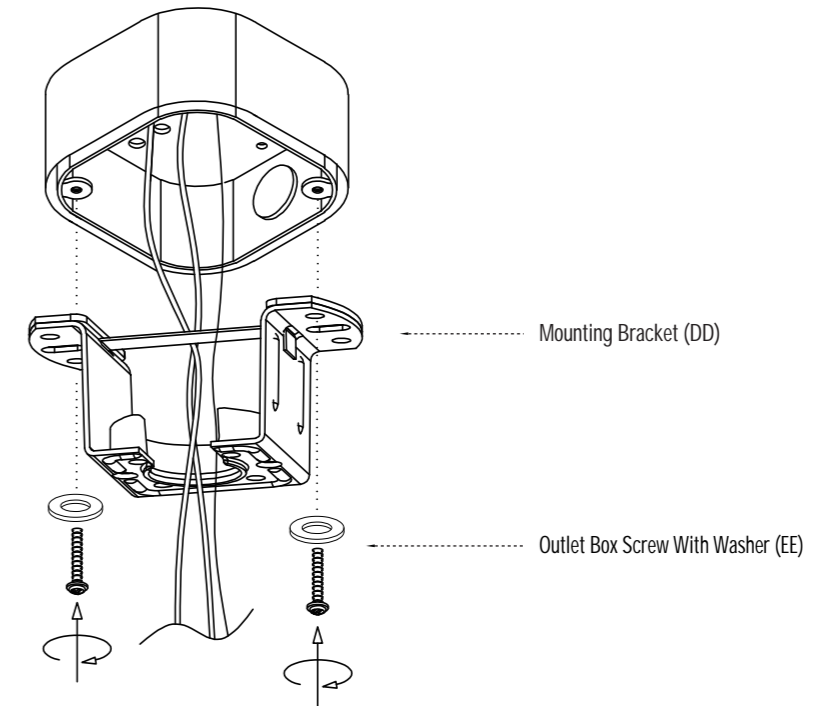
- Some extra hardware may be included. The quantity listed above is the number required for installation.
- Parts "FF" have already been installed with Downrod Assembly. They need to be disassembled before installation.

## INSTALLATION

### 1. Installing the Mounting Bracket

Step 1. Take off the screws from outlet box.

Step 2. Secure the mounting bracket (DD) onto the outlet box with screws taken off or Outlet Box Screw With Washer (EE) provided.



### 2. Assembling the Fan

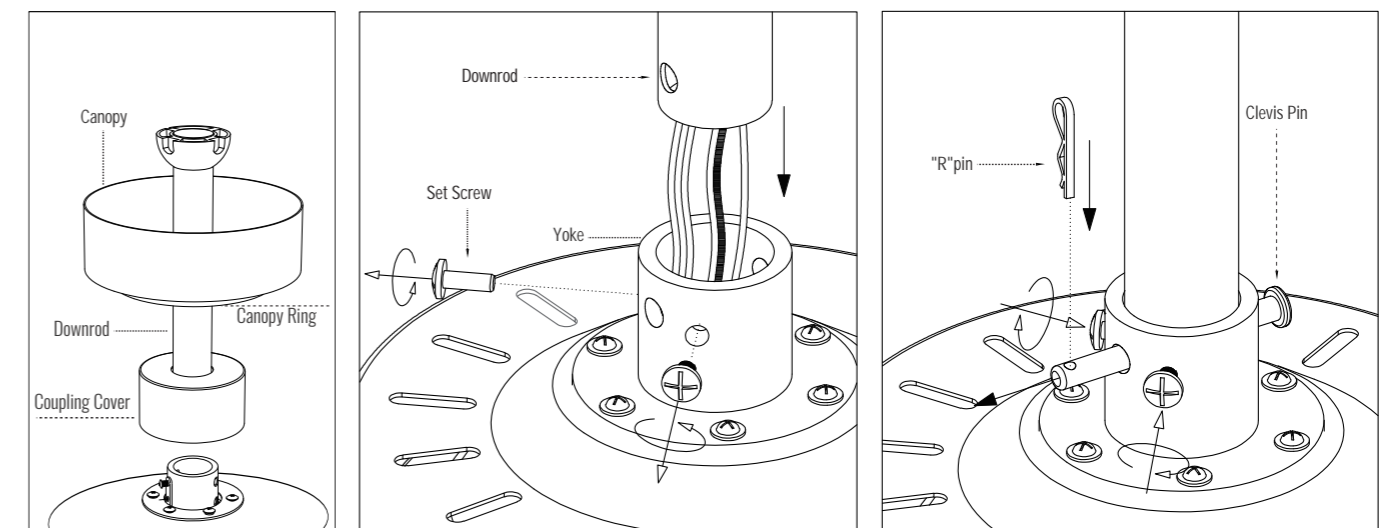
Step 1. Thread the Downrod (C) through the Coupling Cover (E), Canopy Ring (D), Canopy (B), route wires from the fan through the downrod.

Step 2. Loosen the set screw from the yoke but do not take off, align the holes at the bottom of the downrod with those in the yoke.

Step 3. Carefully insert the clevis pin (FF) through the holes in the yoke and downrod (Be careful not to jam the clevis pin against the wires inside the downrod).

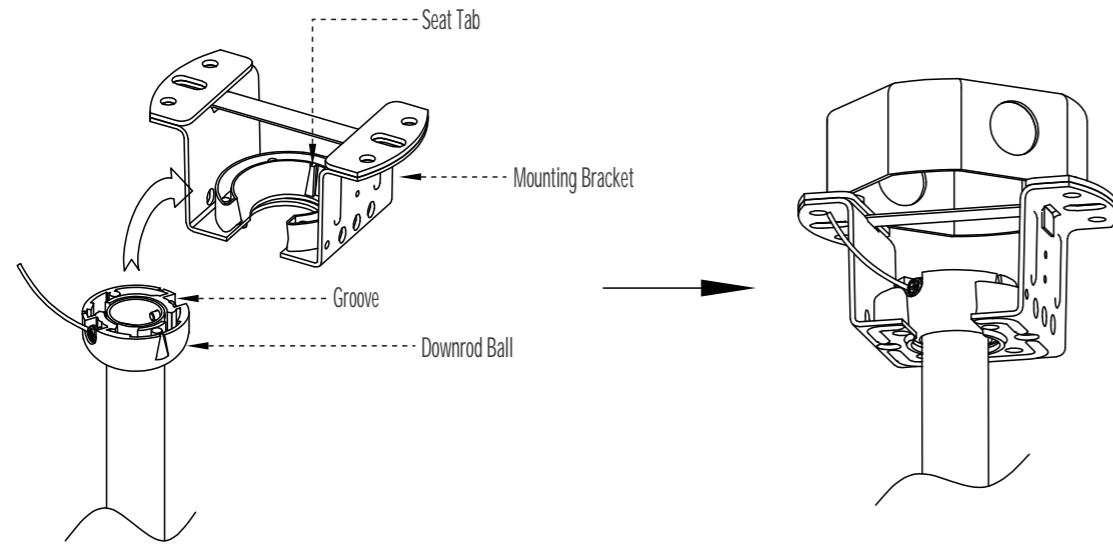
Step 4. Insert the "R" pin (FF) into the end of the clevis pin.

Step 5. Tighten the set screw on the yoke to secure the downrod.



### 3. Hanging the Fan

Step 1. Lift the downrod into the mounting bracket. Rotate the downrod until the seat tab in the mounting bracket is seated in the groove in the downrod ball.

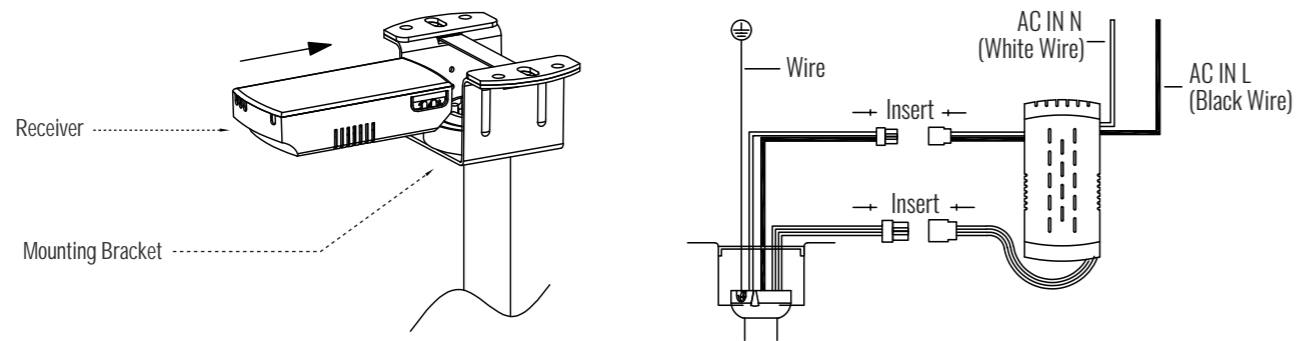


### 4. Wiring

Step 1. Insert the receiver to the mounting bracket

Step 2. Connect the wires from the fixture to the house supply wires with wire nuts (AA), ground wire (green, green/yellow, or bare copper) to ground wire, neutral wire (white or blue) to neutral wire, and hot wire (black or brown) to the hot wire.

Step 3. Wrap the connection with electrical tape.



Note:

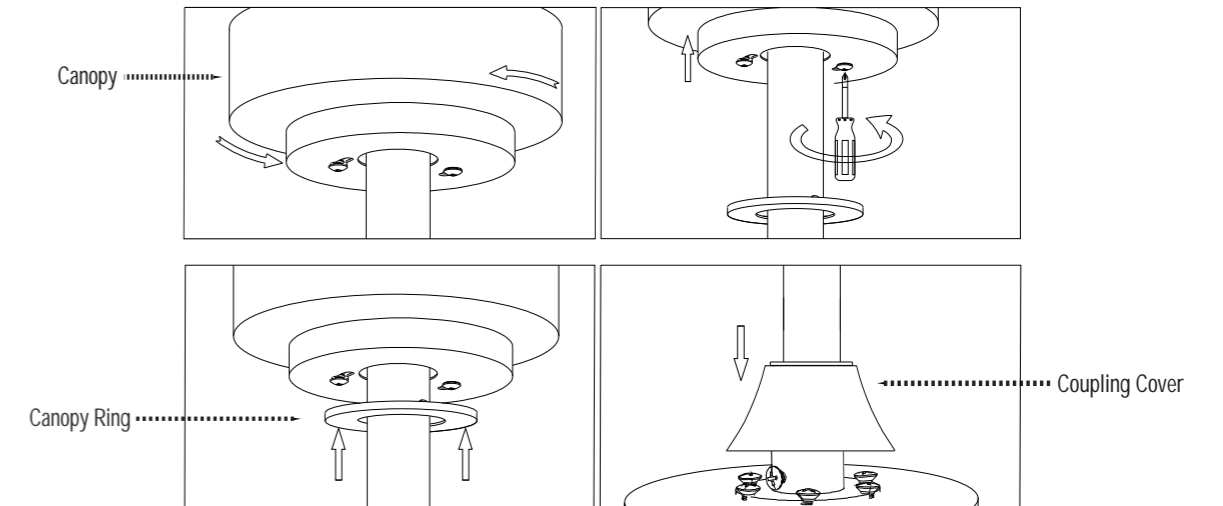
- ① This fan only needs one set of input wires (black, white, and ground wire). Both of the fan and lights will be controlled by the remote controller.
- ② This fan can only be connected to an on/off switch if you have one, not a dimmer switch.

### 5. Attaching the Canopy

Step 1. Slide the canopy up to the ceiling and attach it to the mounting bracket with the screws provided.

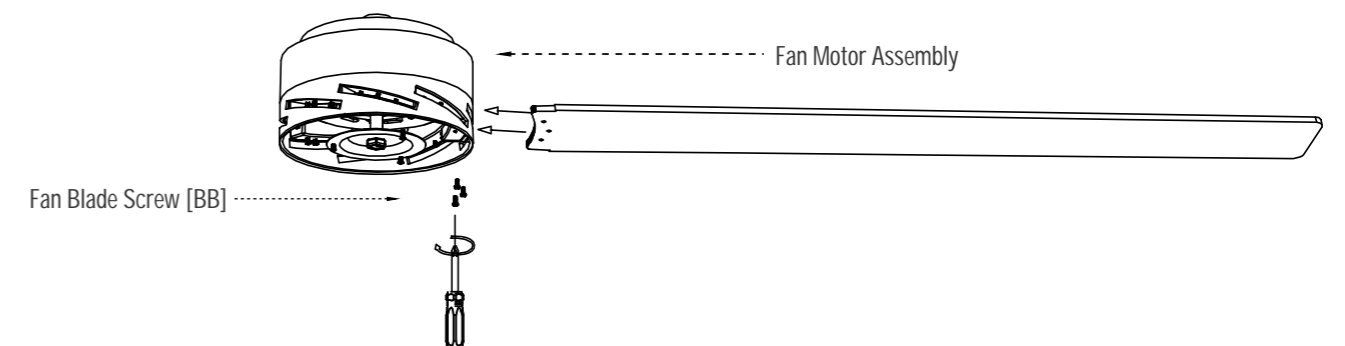
Step 2. Slide the canopy ring up to the canopy.

Step 3. Slide the coupling cover downward to cover the yoke.



### 6. Assembling the Fan Blade

Align the fan blades with the mounting holes, fix them with fan blade screws (BB).

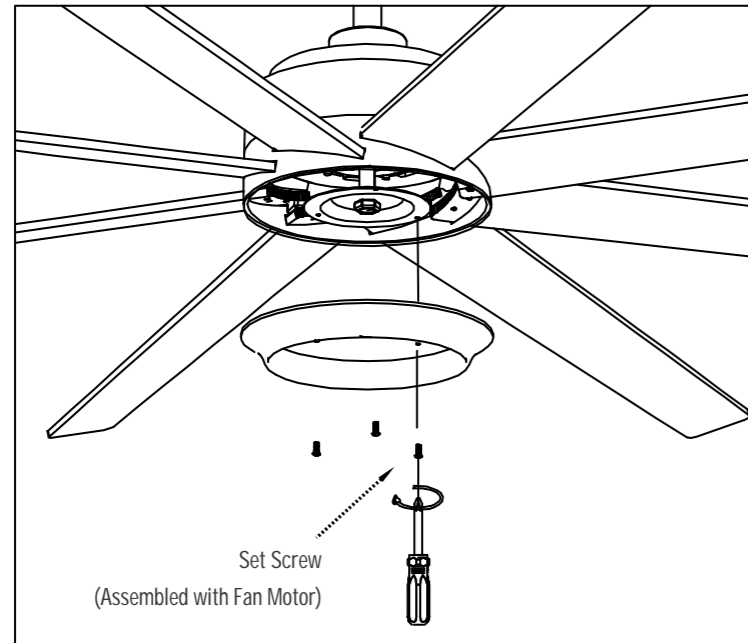


Note: Make sure to assemble the blades in sequence and fasten the screws with equal force.

## 7. Install the Light Kit Mounting Plate

Step 1. Take off the set screws from Fan Motor Assembly.

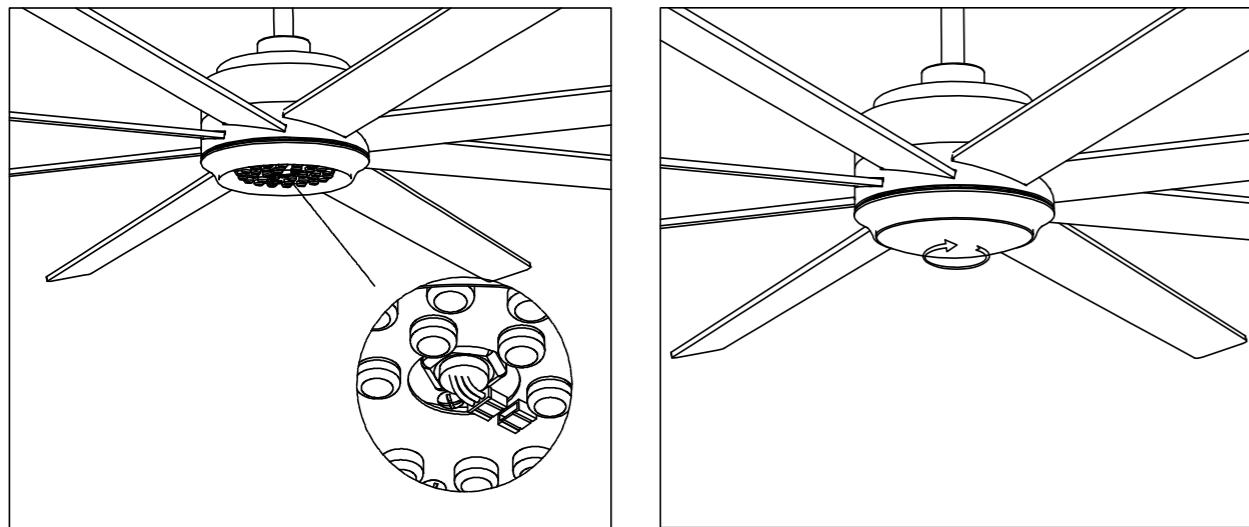
Step 2. Secure the Light Kit Mounting Plate onto the Fan Motor Assembly with screws taken off.



## 8. Install the Light and Light Shade

Step 1. Connect the wire terminal to the interface on the LED Light Kit.

Step 2. Rotate the lightshade clockwise to secure it to the Light Kit Mounting Plate.



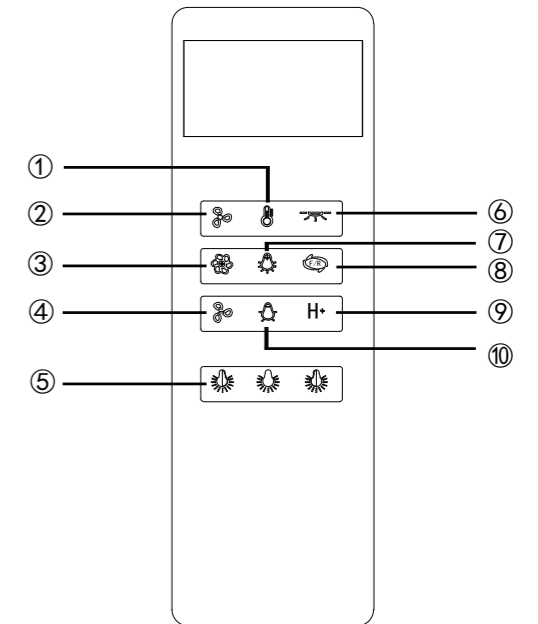
## REMOTE CONTROL INSTRUCTIONS

NOTE:

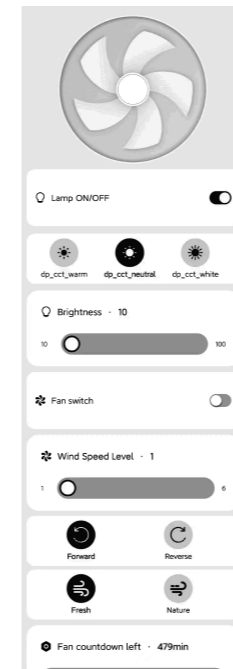
Please insert 2 batteries before using. AAA 1.5V battery x 2pcs (not included).

- ①: Temperature display.
- ②: Turn off the fan.
- ③: Fan speed increase.
- ④: Fan speed reduction.
- ⑤: Switch the light color: warm light→cool light→white light.
- ⑥: Turn on/off the light.
- ⑦: Increase the brightness of the light source.
- ⑧: Fan moves forwards or reversely.
- ⑨: 1-8H for timing the fan.
- ⑩: Reduce the brightness of the light source.

Signal Pairing: If the remote control loses signal from the fan, press and hold the Signal Pairing button ⑥ at the beginning after turning on the wall switch until the light flashes. This will pair the remote control to the fan.



## APP CONTROL INSTRUCTIONS



Install the " Tuya Smart " app from Google Play, Apple App Store, or other app stores by scanning the QR code or searching for the app name. Before pairing and decoding, please ensure the device is within the coverage range of 2.4G wifi and that your phone is connected to the 2.4G wifi.

	Turn on/off the light
	Quick switching of color temperature
	Slide to adjust the brightness of the light
	Sliding adjustment of light color temperature
	Turn on/off the fan
	Slide to adjust the speed of the fan
	Fan forward & Fan reverse
	Fresh mode (this feature is not supported)
	Natural wind mode
	Fan timing (up to 9 hours)