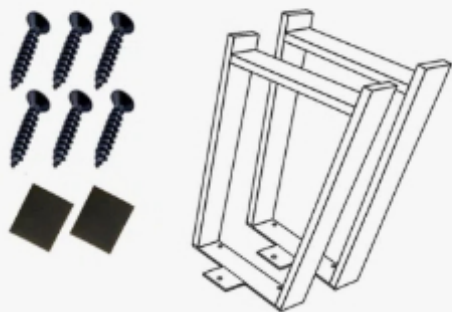
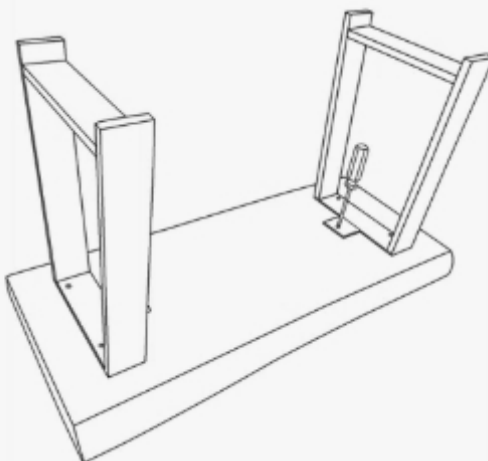


Guiding holes pre-drilled

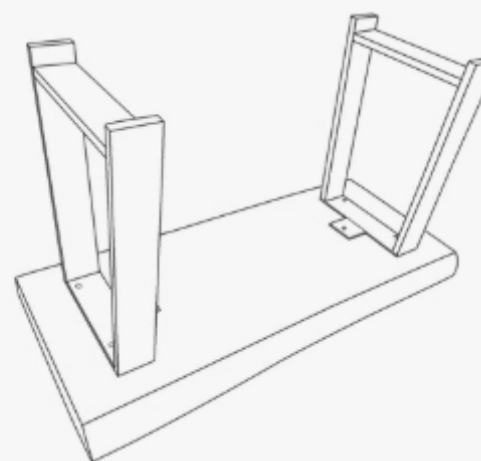


1

Do not screw too tight in case you will adjust leg height

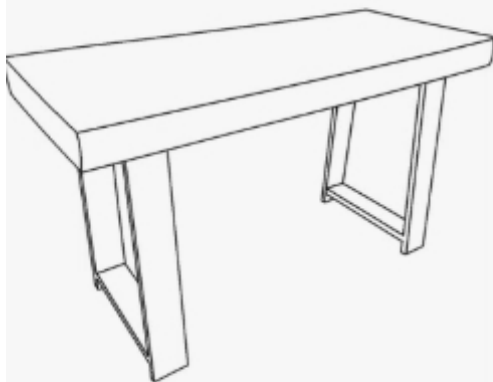


2



3

Use the felt pad to adjust the wobble leg



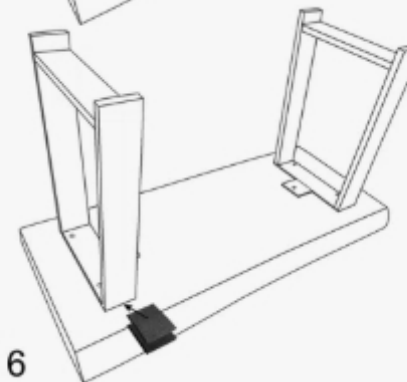
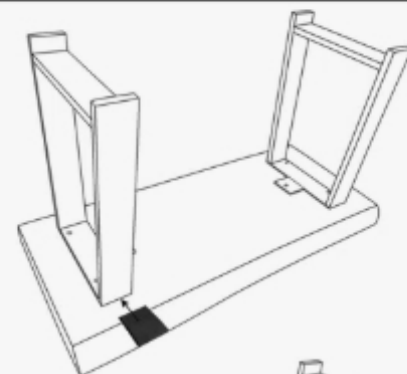
4

All the legs are hand made, the leg length may slightly vary.

If the legs wobble, please put one cushion between the wood and the shortest leg.

If one unit does not fit, two units should work.

5



6