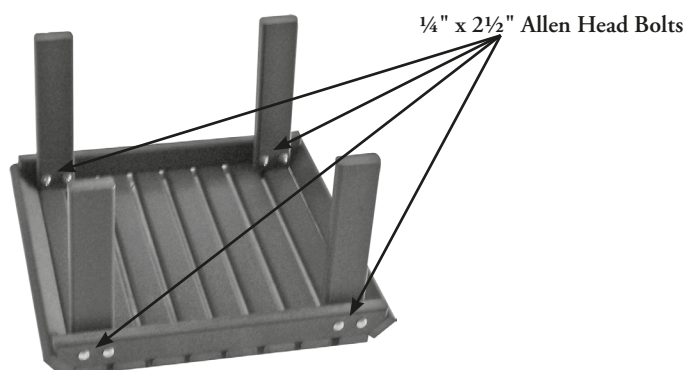


Assembly Directions for Stationary Footstool

#PVSF2100



STEP #1 - Fasten the four Legs to the Top using $\frac{1}{4}$ " x $2\frac{1}{2}$ " Allen Head Bolts.



STEP #2 - Your Stationary Footstool is complete!



PACKAGE CONTENTS

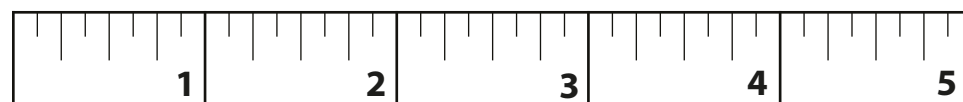
- 1 Top
- 4 Legs
- 1 Hardware Package

HARDWARE PACKAGE

- 8 $\frac{1}{4}$ " x $2\frac{1}{2}$ " Allen Head Bolts
- 8 $\frac{1}{4}$ " Flange Nuts
- 1 Allen Wrench

TOOLS NEEDED:

- Hammer
- $\frac{7}{16}$ " Wrench
- Allen Wrench (Included)



Use to measure bolts

