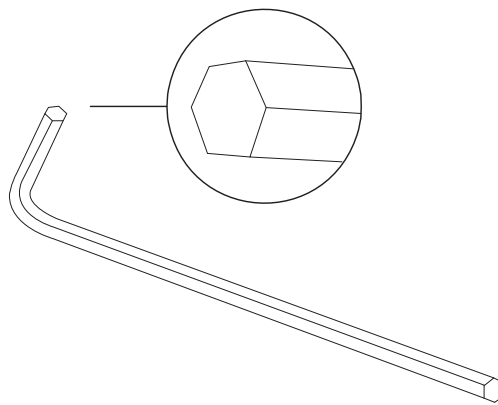


Attention: Don't tighten the screw before all screws are in place

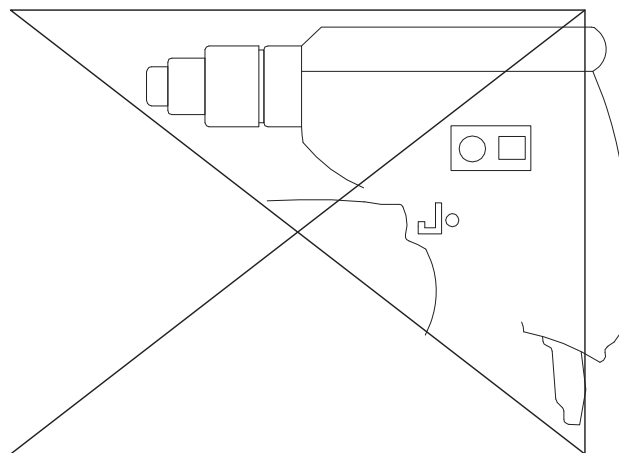
USER'S MANUAL

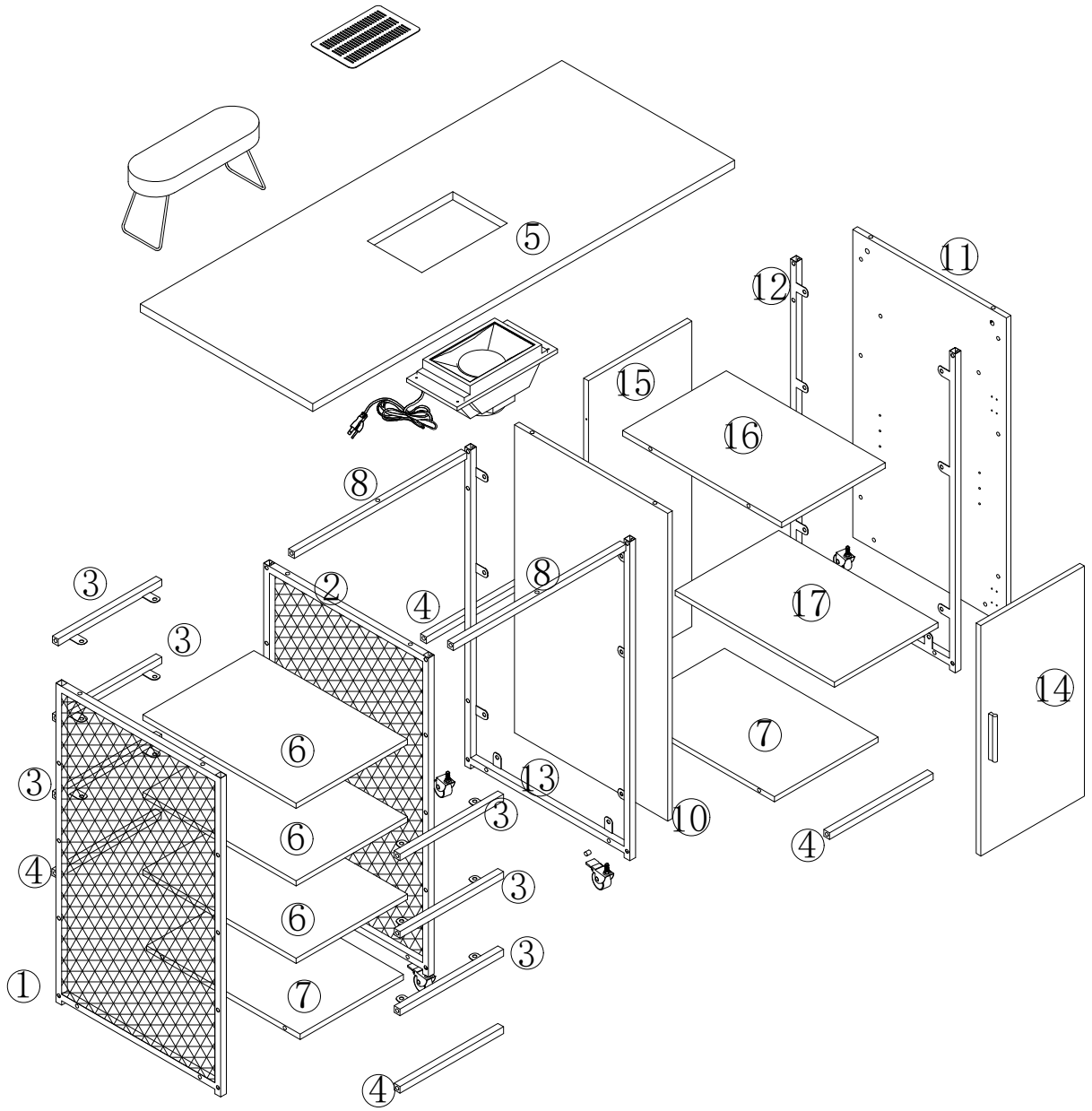
General Assembly Guidelines

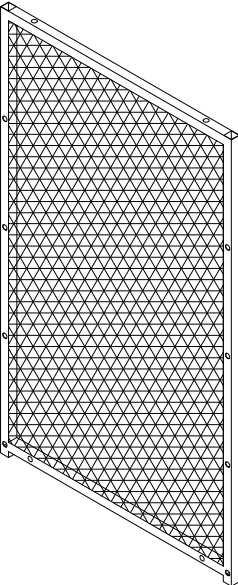
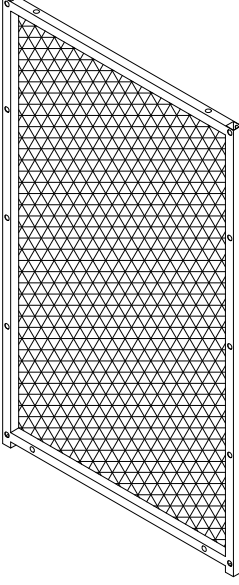
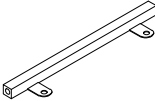
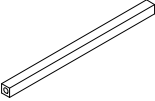
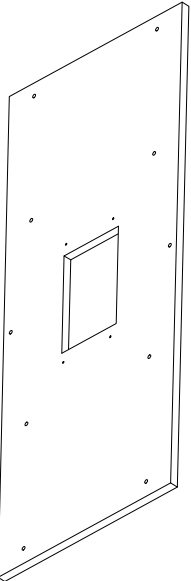
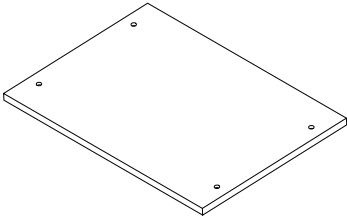
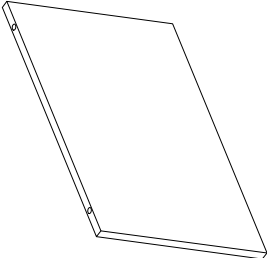
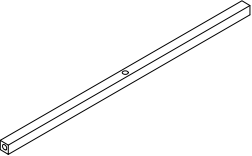
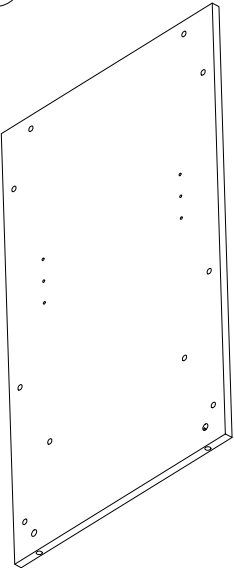
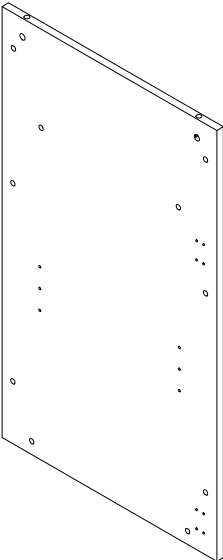
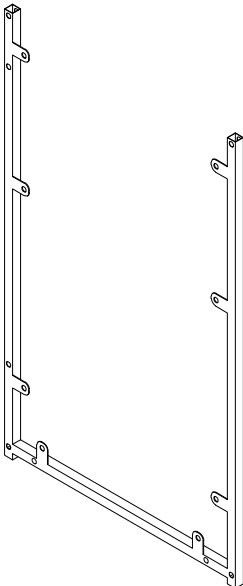
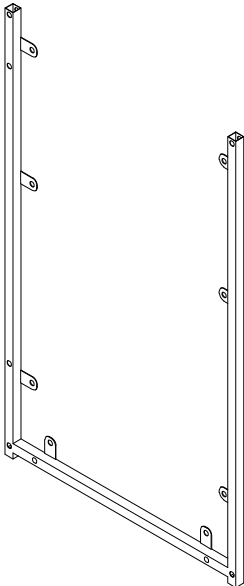
- I. Ensure that all parts and hardware are available before beginning assembly.
- II. Follow each step carefully to ensure the proper assembly of this product.
- III. Two people are recommended for ease in the assembly of this product.
- IV. The three main types of hardware used to assemble this product are : wood dowels , screws and bolts.
- VI. A Phillips head screwdriver is required for the assembly of this product .

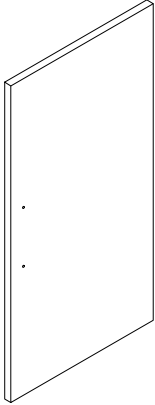
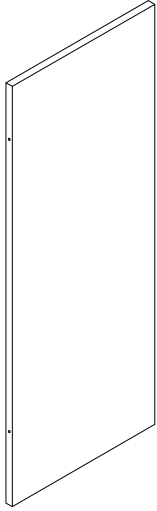
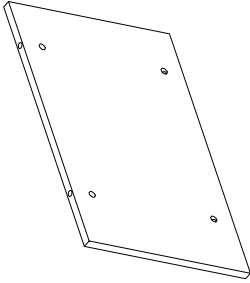
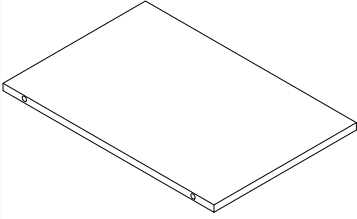


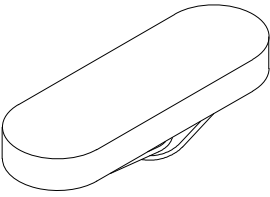
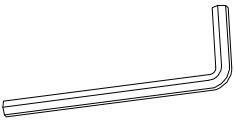
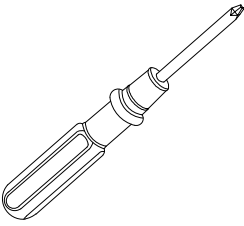
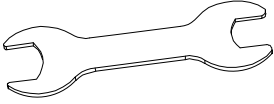
- VII. Power tools should not be used to assemble this product .




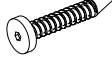
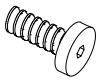
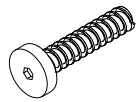
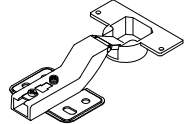

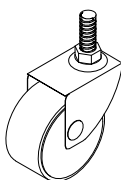
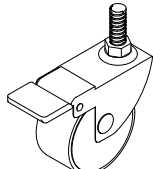
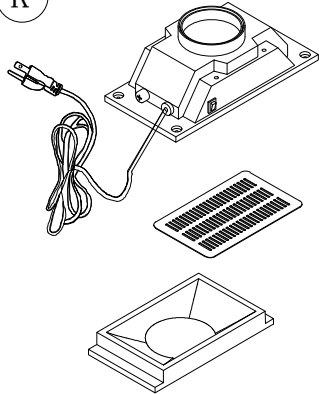
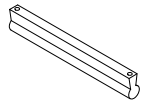

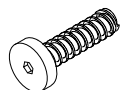





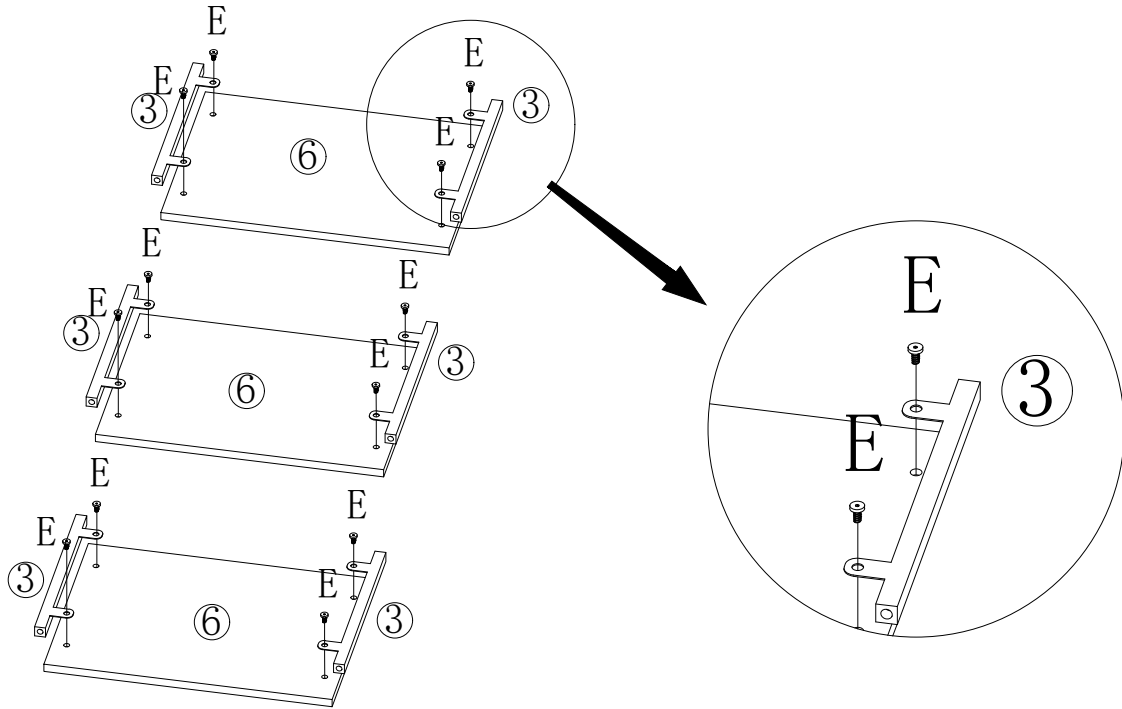
<p>① X1</p>  <p>720*430*15 (MM)</p>	<p>② X1</p>  <p>720*430*15 (MM)</p>	<p>③ X6</p>  <p>270*15*15 (MM)</p>	<p>④ X4</p>  <p>270*15*15 (MM)</p>
<p>⑤ X1</p>  <p>1100*450*18 (MM)</p>	<p>⑥ X3</p>  <p>400*290*12 (MM)</p>	<p>⑦ X2</p>  <p>400*270*12 (MM)</p>	<p>⑧ X2</p>  <p>450*15*15 (MM)</p>
<p>⑩ X1</p>  <p>695*400*12 (MM)</p>	<p>⑪ X1</p>  <p>695*400*12 (MM)</p>	<p>⑫ X1</p>  <p>720*430*15 (MM)</p>	<p>⑬ X1</p>  <p>720*430*15 (MM)</p>

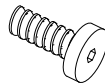
<p>①④ X1</p>  <p>517*267*12 (MM)</p>	<p>①⑤ X1</p>  <p>695*270*12 (MM)</p>	<p>①⑥ X1</p>  <p>415*270*12 (MM)</p>	<p>①⑦ X1</p>  <p>415*270*12 (MM)</p>
---	---	--	---

			
---	---	--	---

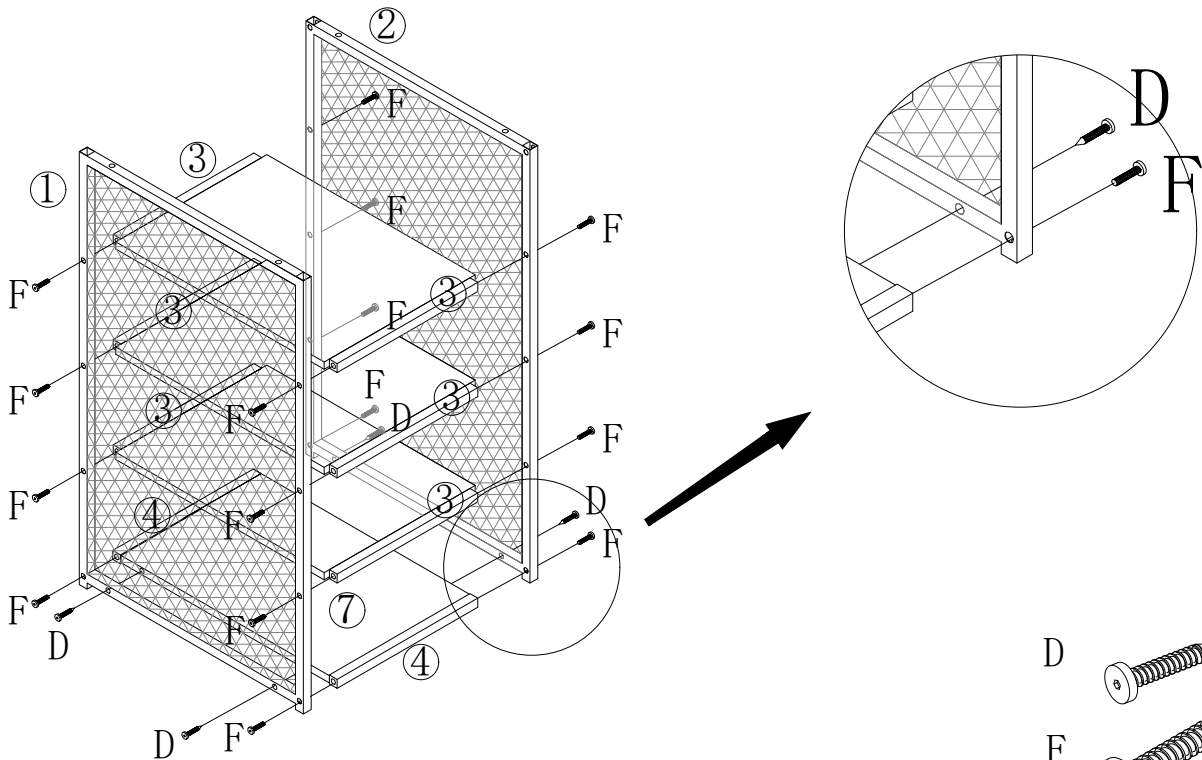
<p>(A)</p>  <p>8PCS</p>	<p>(B)</p>  <p>M10 8PCS</p>	<p>(C)</p>  <p>M3.5*14 12PCS</p>	<p>(D)</p>  <p>M5*30 12PCS</p>
<p>(E)</p>  <p>M6*8 28PCS</p>	<p>(F)</p>  <p>M6*40 24PCS</p>	<p>(G)</p>  <p>2PCS</p>	<p>(H)</p>  <p>M4*16 2PCS</p>
<p>(I)</p>  <p>4PCS</p>	<p>(J)</p>  <p>4PCS</p>	<p>(K)</p>  <p>1PCS</p>	<p>(L)</p>  <p>1PCS</p>
<p>(M)</p>  <p>M4*16 4PCS</p>	<p>(N)</p>  <p>M6*23 6PCS</p>	<p>(O)</p>  <p>4PCS</p>	

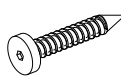
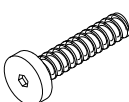
Step 1



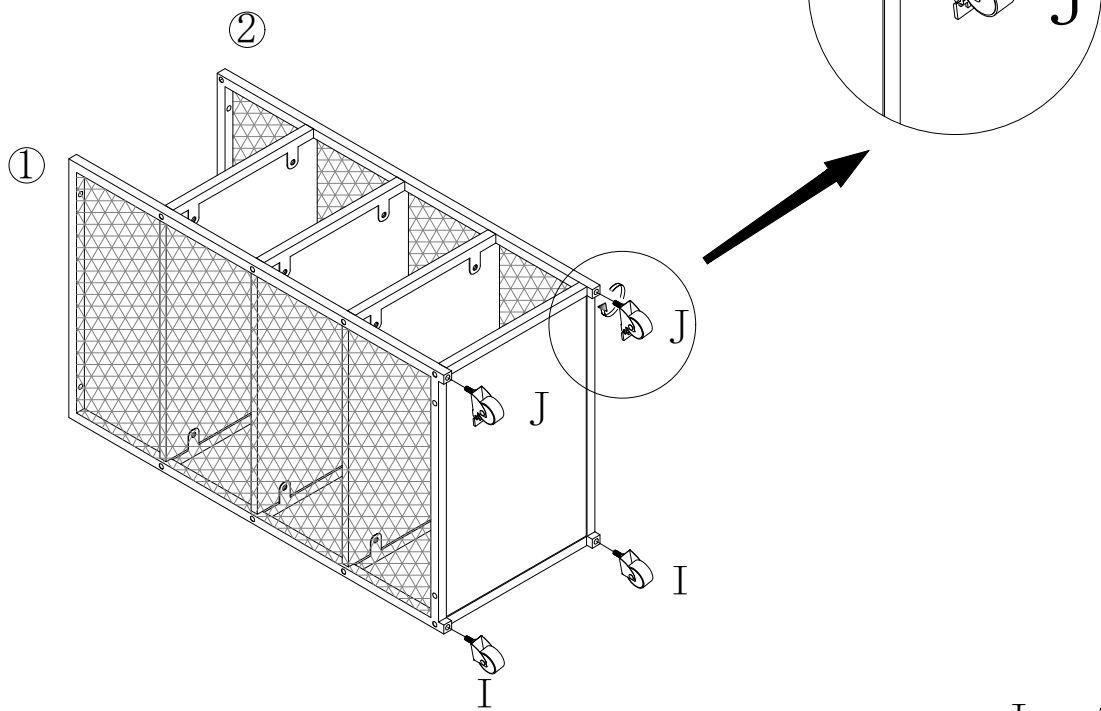
E  X12


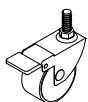
Step 2



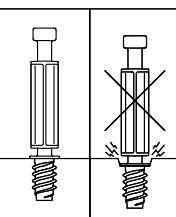
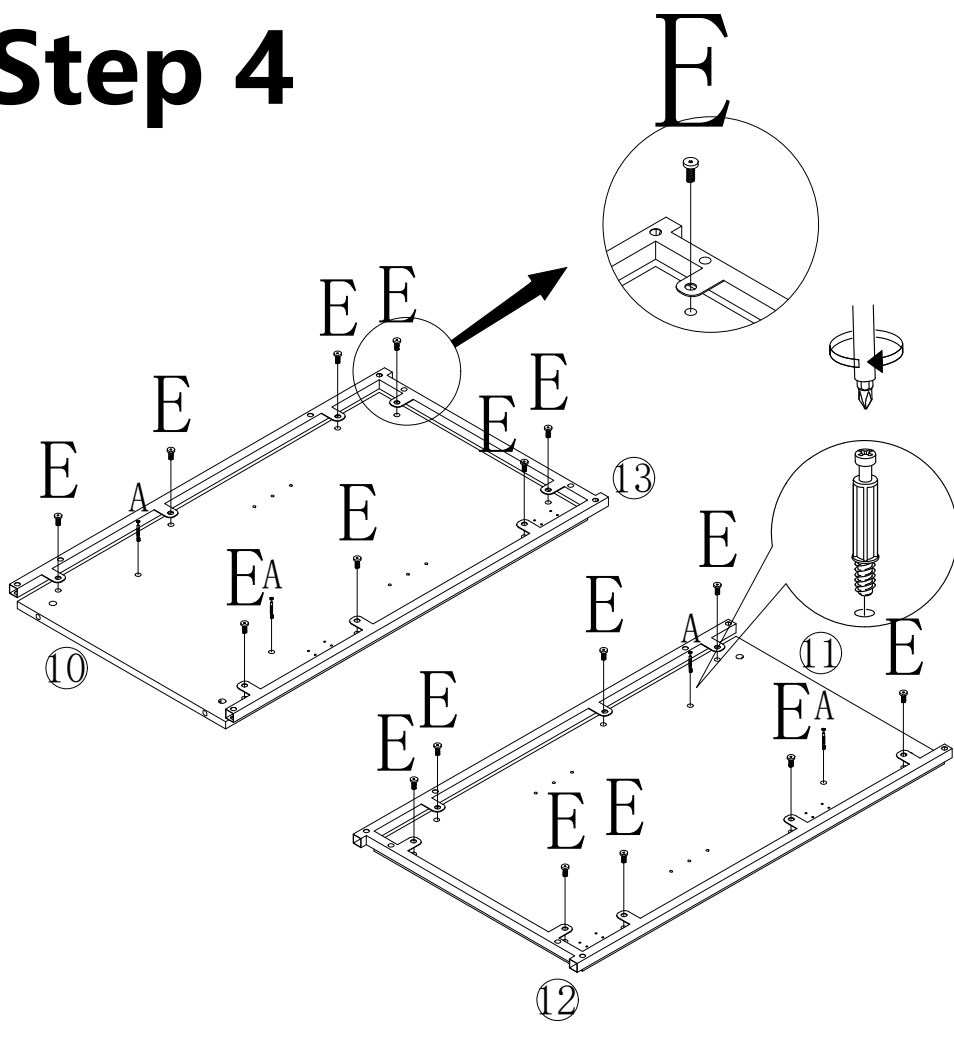
D  X4
F  X16


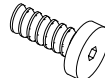
Step 3



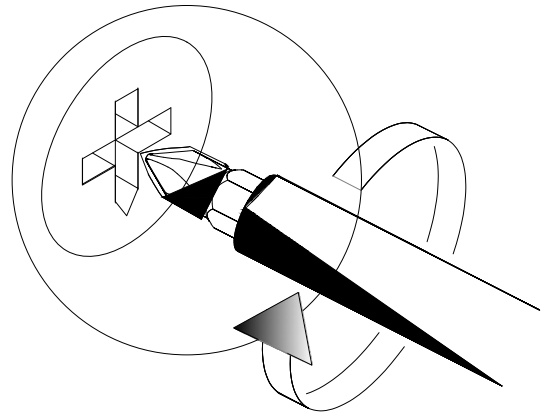
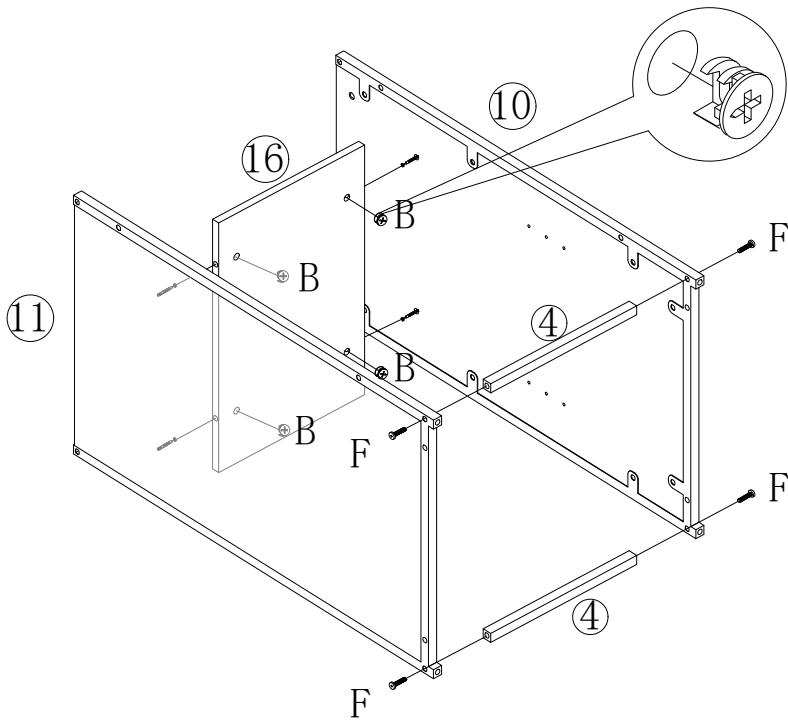
- I  X2
- J  X2


Step 4

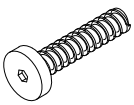


- A  X4
- E  X16

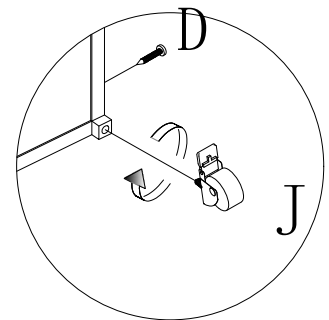
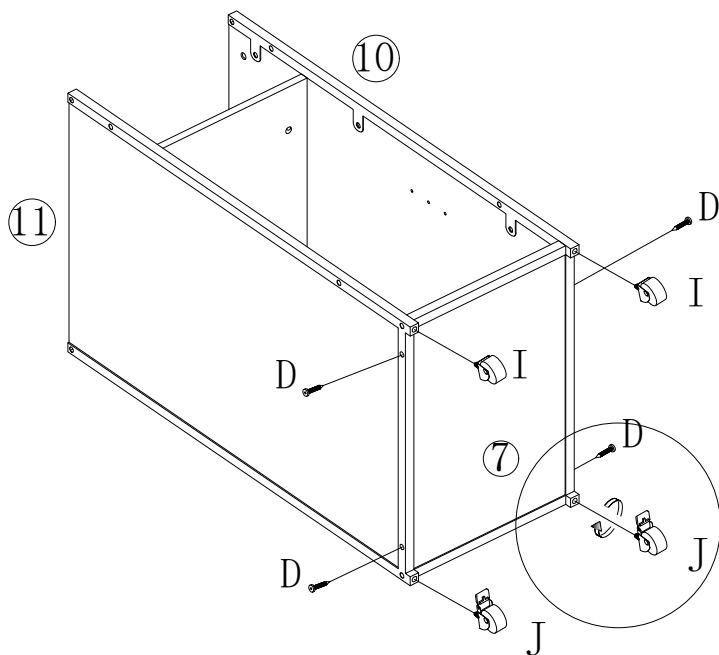
Step 5

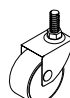


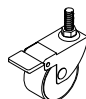
B  X4


F  X4

Step 6

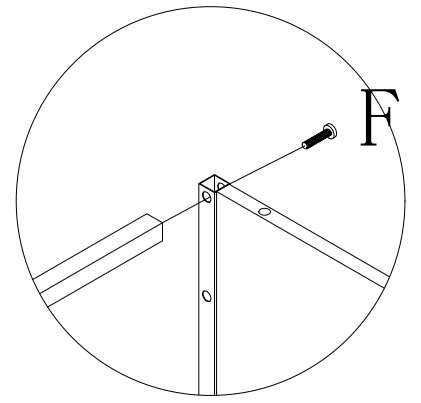
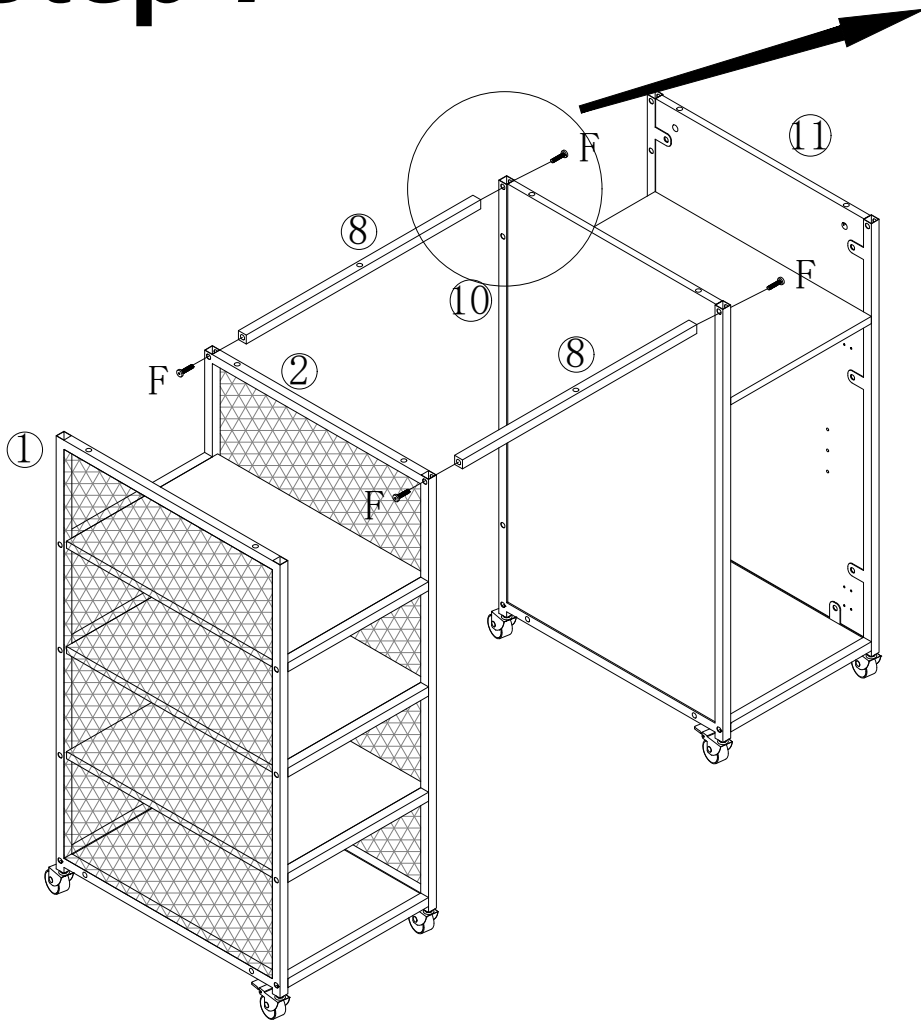


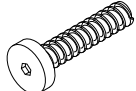
I  X2

J  X2

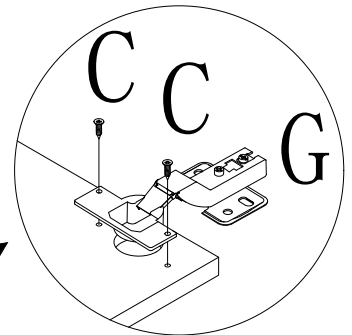
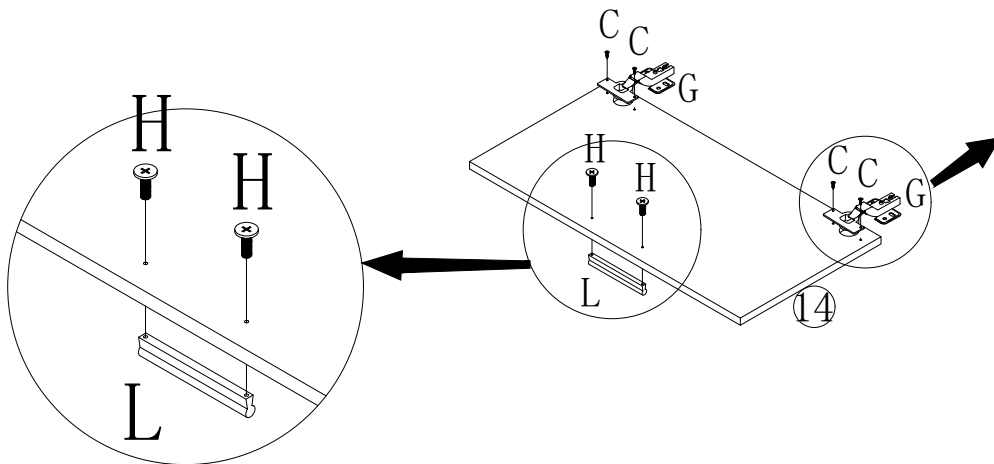
D  X4





Step 7



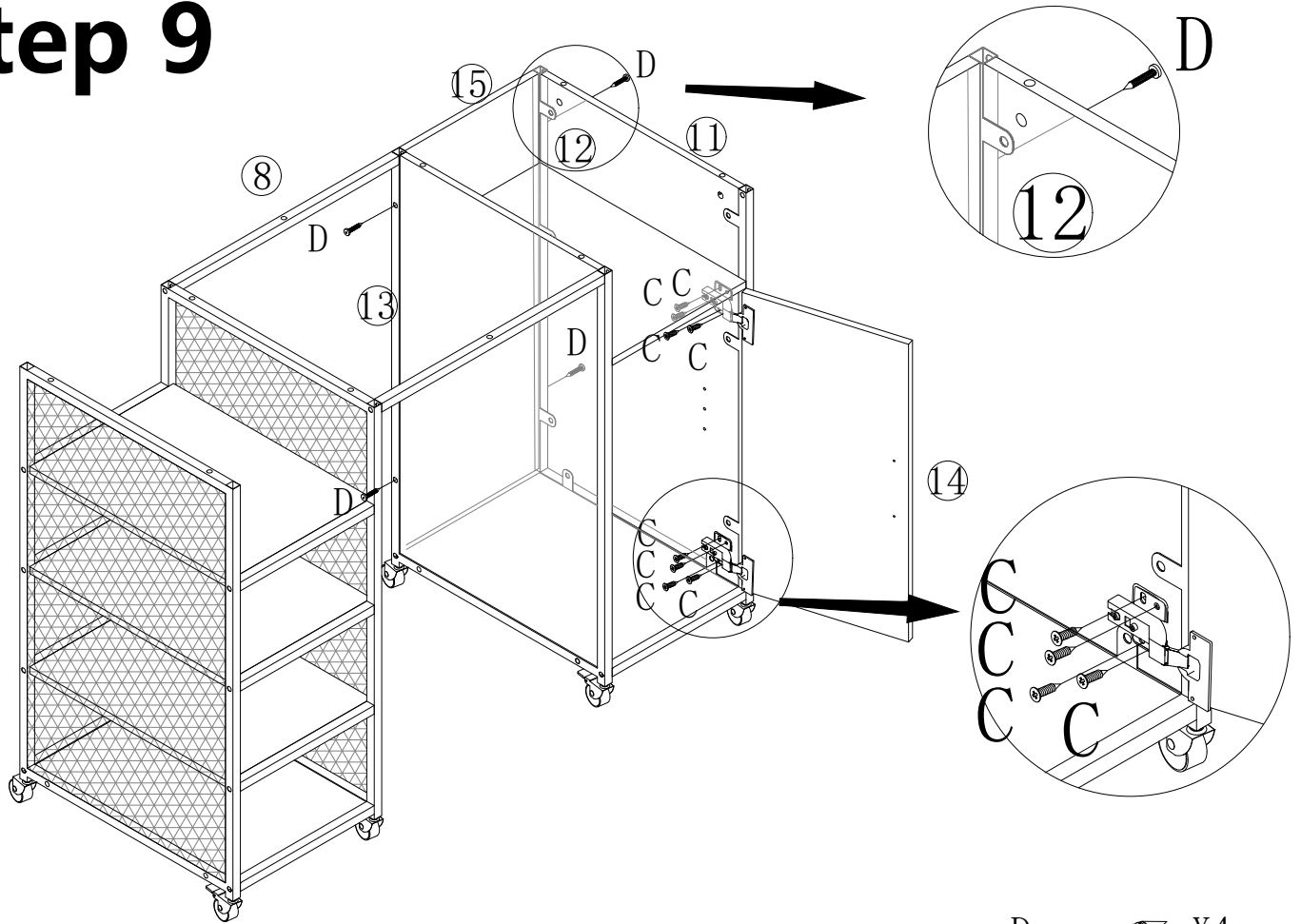
F  X4

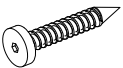

Step 8



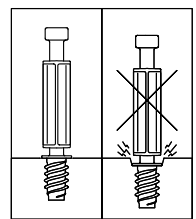
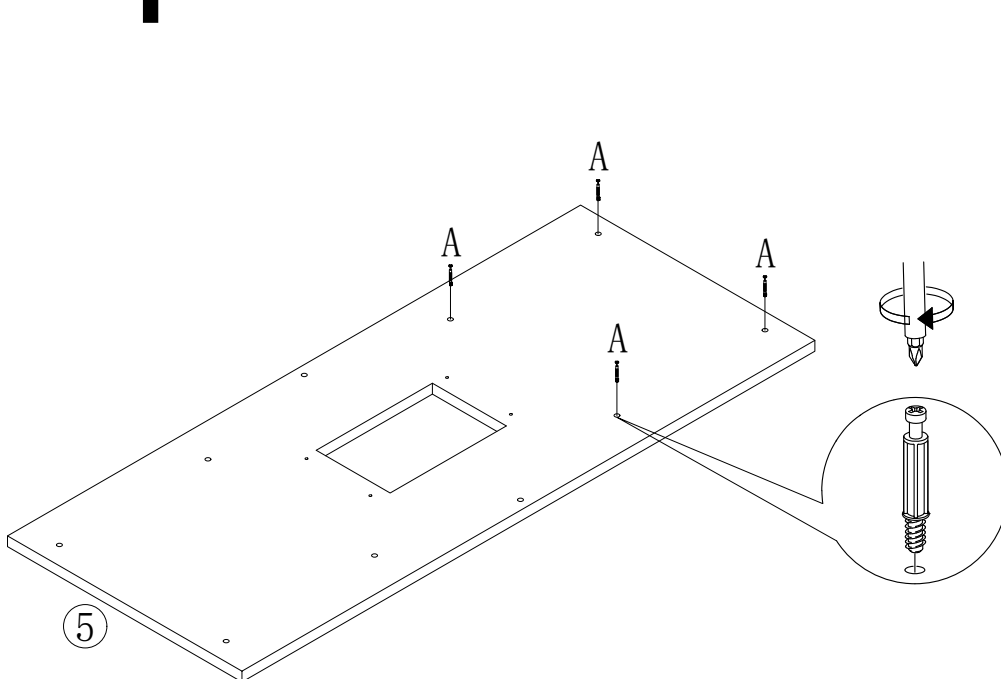
G  X2
 C  X4
 H  X2
 L  X1

Step 9



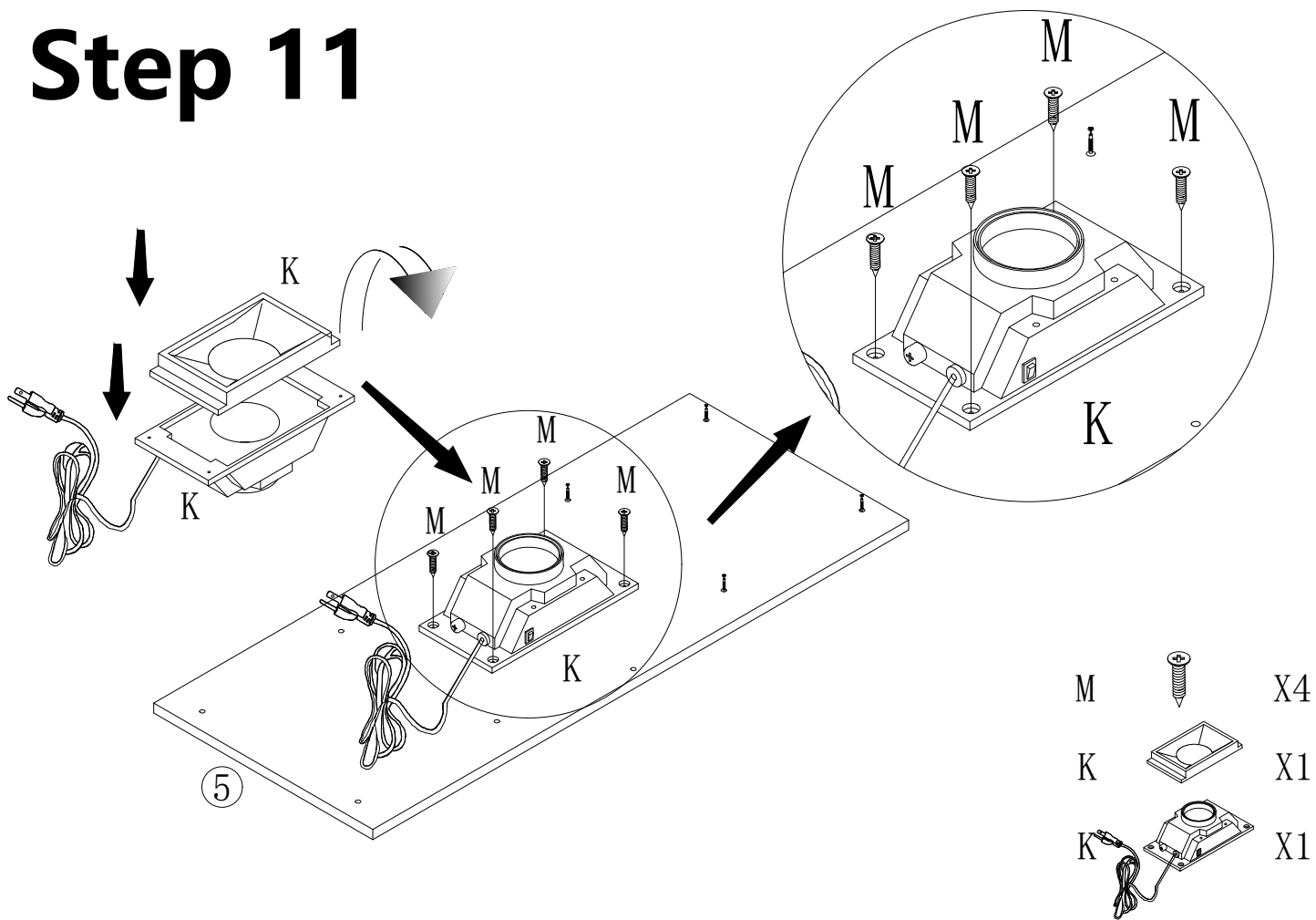
- D  X4
- C  X8

Step 10

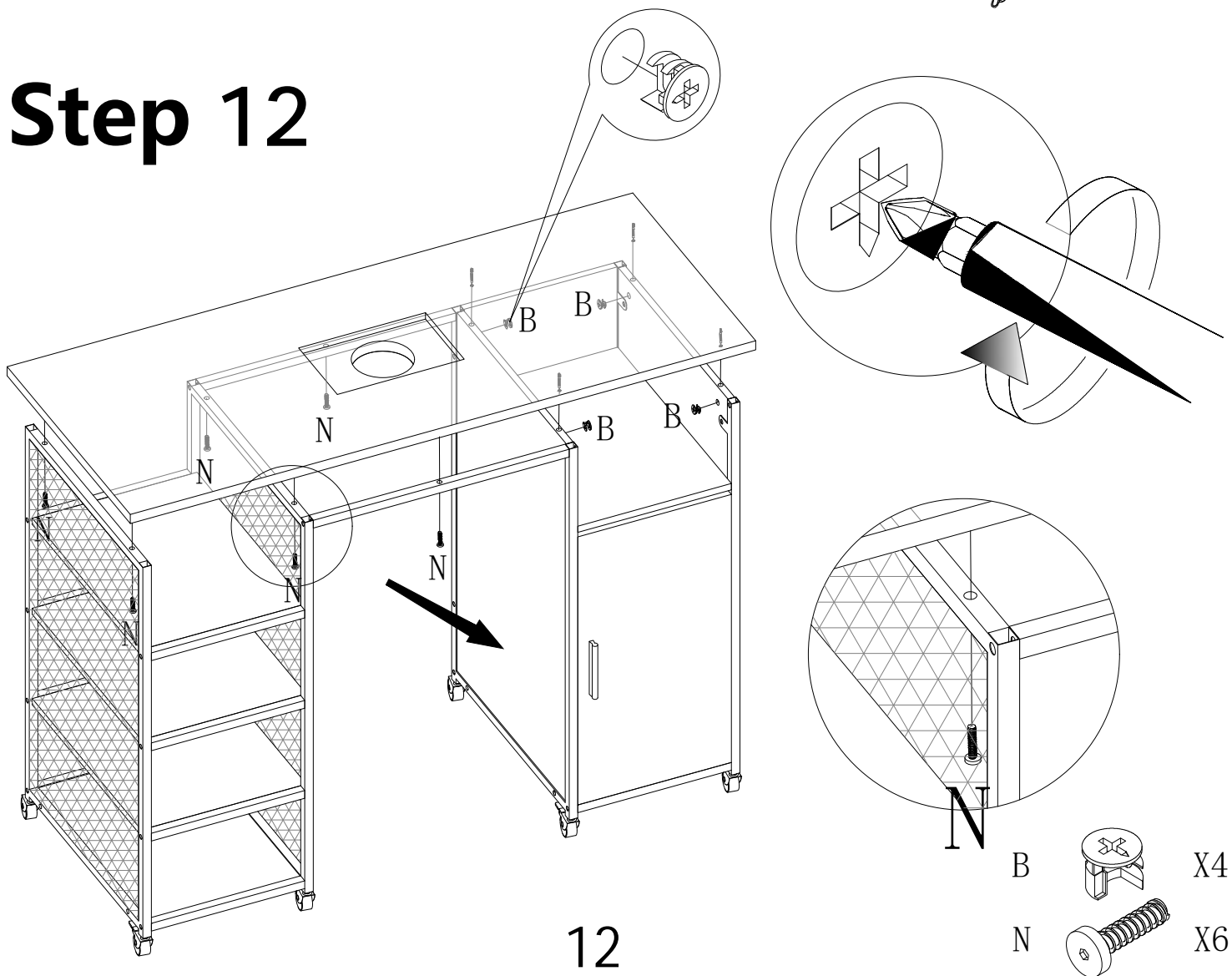


- A  X4

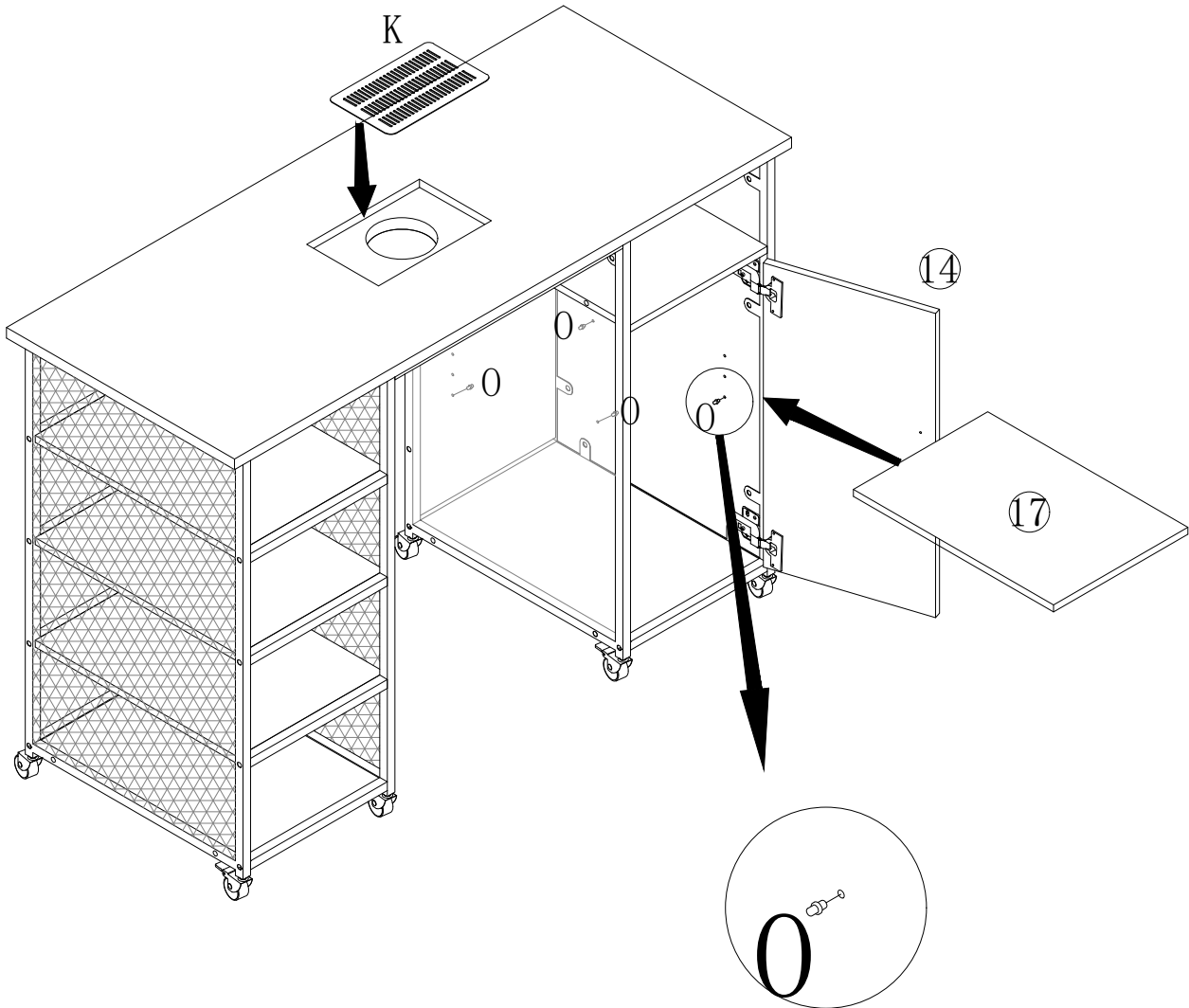
Step 11




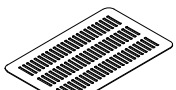
Step 12



Step 13



0  X4

K  X1

Step 14

