

ASSEMBLY INSTRUCTION

FARMHOUSE TABLE

IMPORTANT NOTE :

BEFORE YOU BEGIN, PLEASE READ AND FOLLOW THE ASSEMBLY INSTRUCTIONS CAREFULLY.

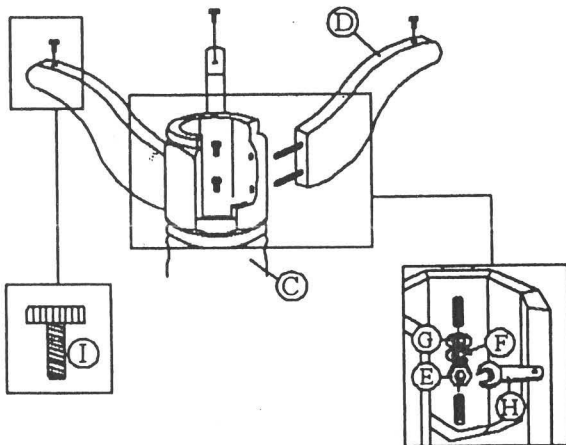
- IDENTIFY AND SEPARATE ALL PARTS BEFORE DISCARDING PACKAGING.
- PLACE WOODEN PARTS ON A CLEAN SOFT SURFACE TO AVOID SCRATCHING THE PARTS.
- DO NOT USE POWER TOOL FOR ASSEMBLY.
- AS WITH ALL FURNITURE , OCCASIONALLY CHECK TO INSURE HARDWARE IS TIGHT.

PARTS & HARDWARE LIST				
NO	DESCRIPTION	QTY		
A	TABLE TOP	1 PC	BOX A	
B	EXT. LEAF	1 PC	BOX B	
C	BASE	1 PC	BOX C	
D	EMPIRE LEG	4 PCS	BOX B	
E	HEX NUT	12 PCS	BOX A	
F	SPRING WASHER	12 PCS		
G	FLAT WASHER	12 PCS		
H	WRENCH	1 PC		
I	AJUSTABLE	4 PCS		

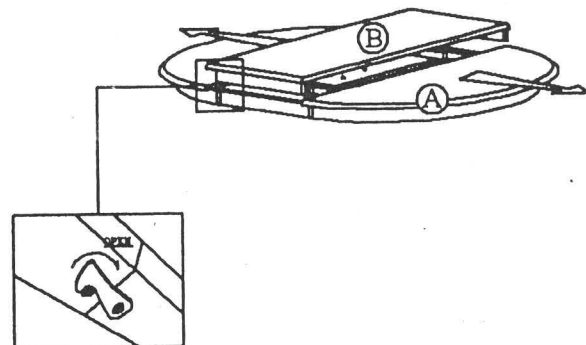


FULLY SET UP

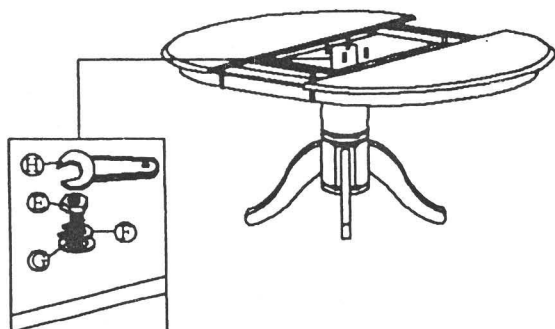
STEP 1



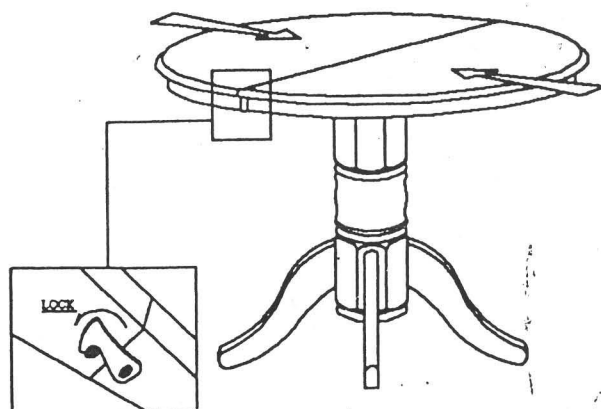
STEP 2



STEP 3



STEP 4



MADE IN MALAYSIA