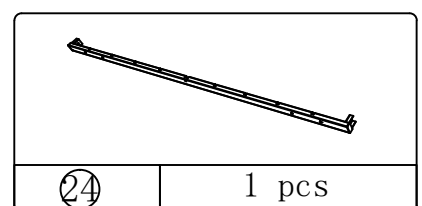
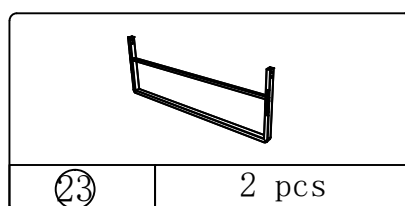
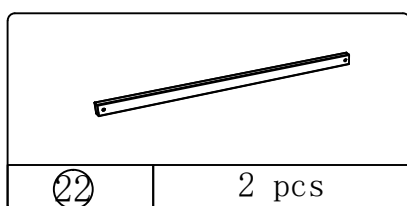
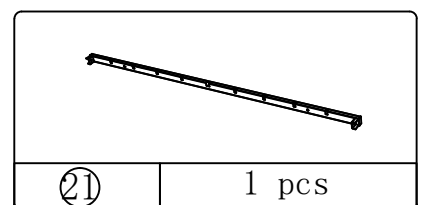
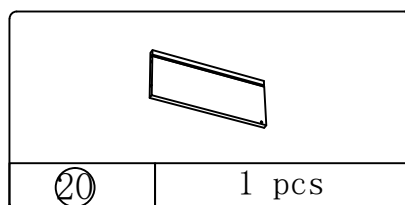
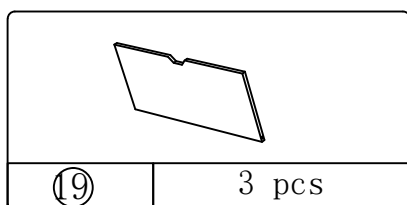
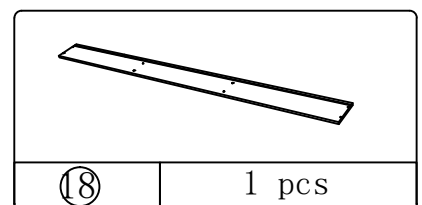
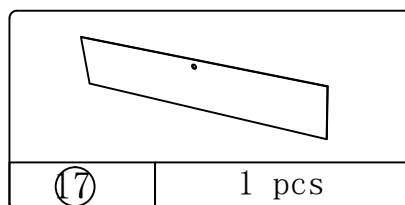
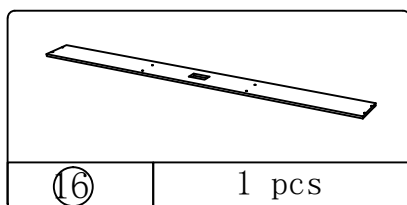
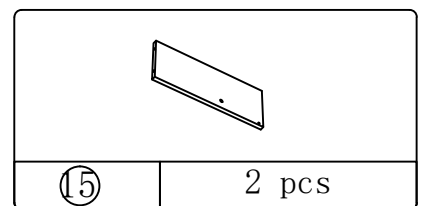
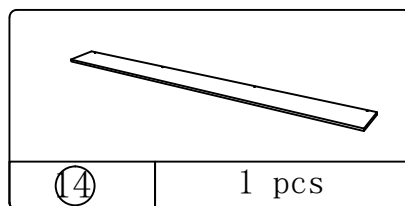
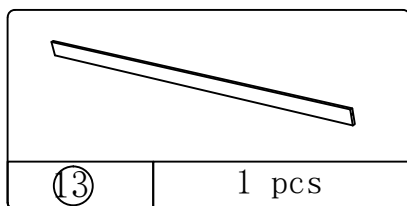
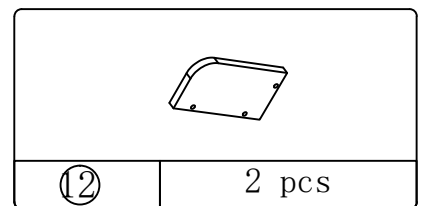
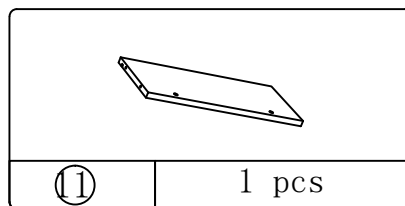
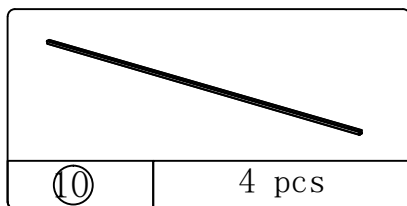
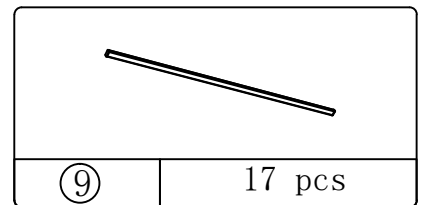
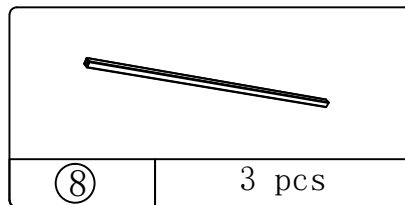
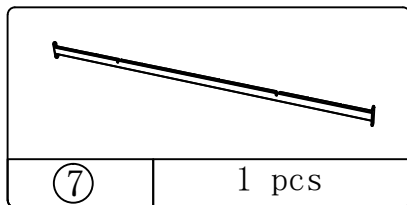
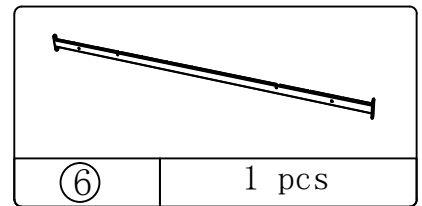
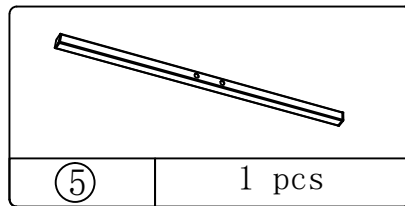
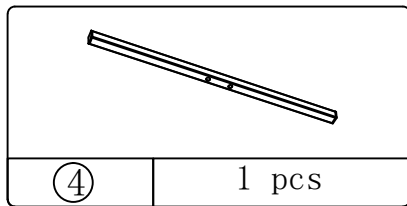
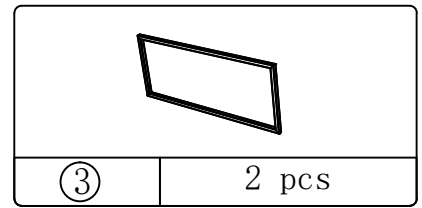
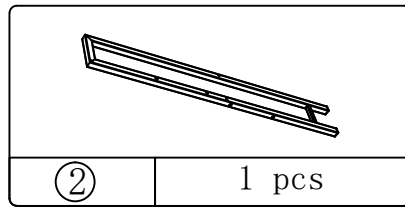
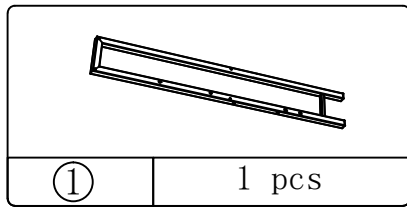
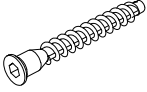

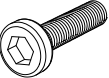

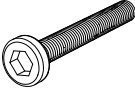
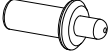
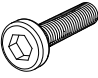

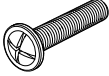
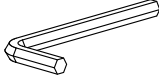

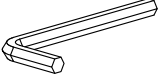
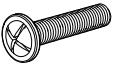
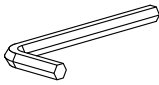
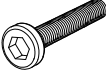
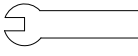
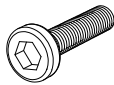
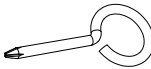
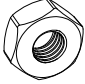
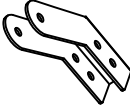
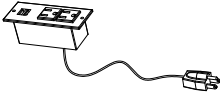

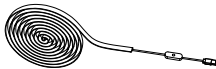

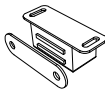



--	--	--

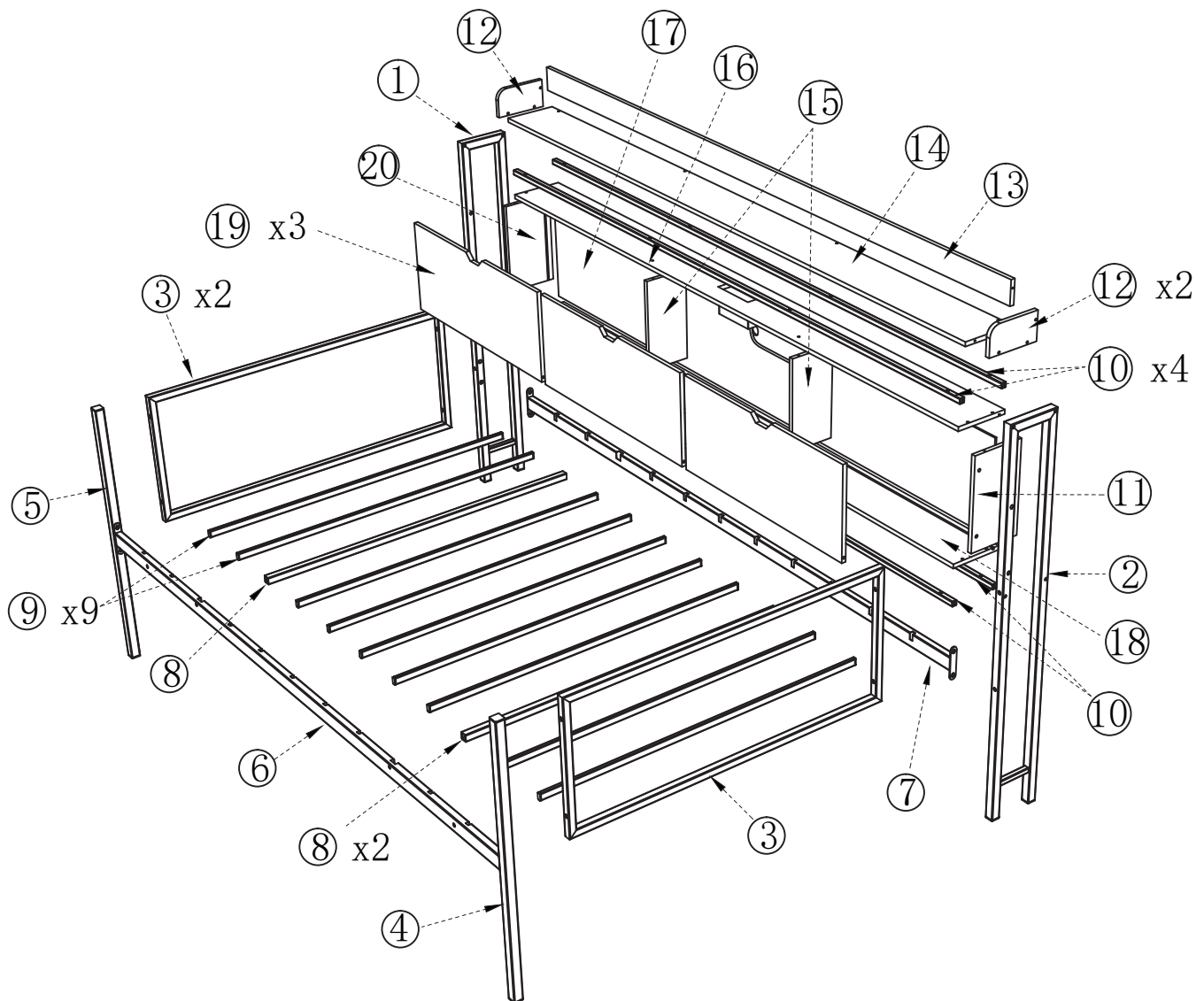
Accessory List



HARDWARE


A	 M5*40mm	26+2	N	 1.5	2
B	 M8*20mm	8+1	O	 1.5	2
C	 M6*50mm	10+1	P	 6	
D	 M6*35mm	24+2	Q	 1	
E	 M4*25mm	16+1	R	 M4	1
F	 M4*10mm	14+1	S	 M6	1
G	 M4*10mm	6+1	T	 M8	1
H	 M6*25mm	6+1	U	 M6	1
I	 M6*15mm	4+1	V	 1	
J	 M6	14+2	W	 4	
K	 1	1	X	 3	
L	 1	1	Y	 4	
M	 3	3	Z	 4	

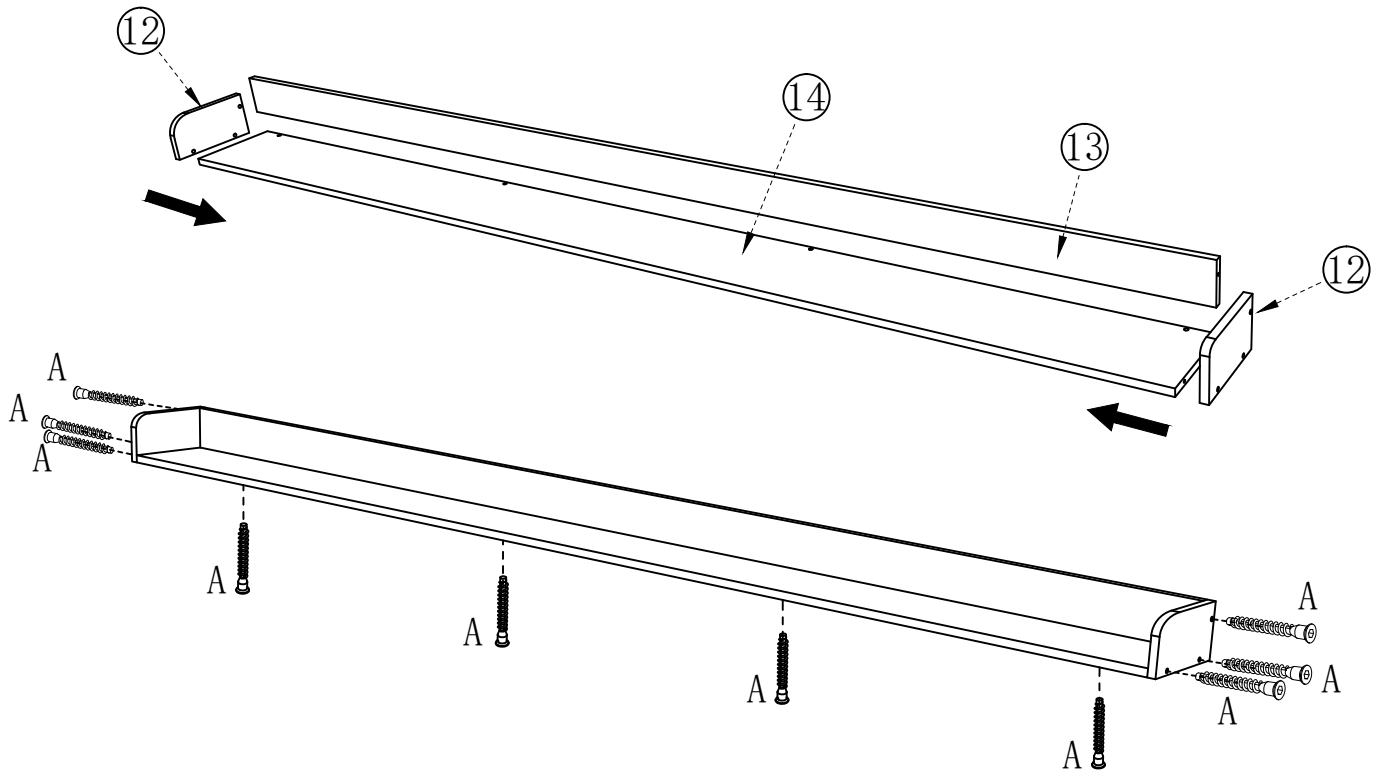
EXPLODED DRAWING:



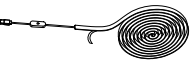
1. To ensure smooth assembly, we kindly advise that you read the entire manual and carefully adhere to the instructions provided.
2. The installation of this bed frame necessitates a minimum of two individuals to ensure a successful setup.
3. It is recommended that the assembly take place on a level ground in order to maintain optimal balance.
4. Please refrain from tightening the screws until the installation is fully completed.

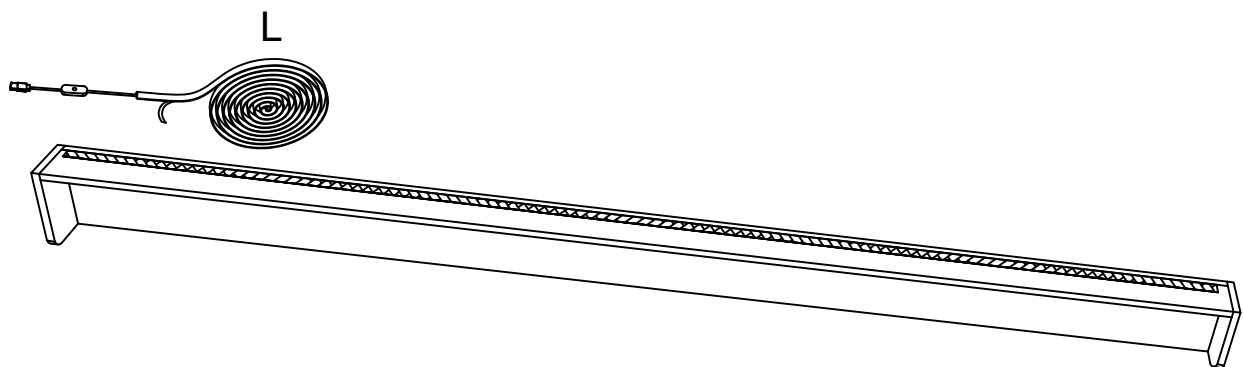
Step:1

A		M5*40mm	10pcs
---	---	---------	-------

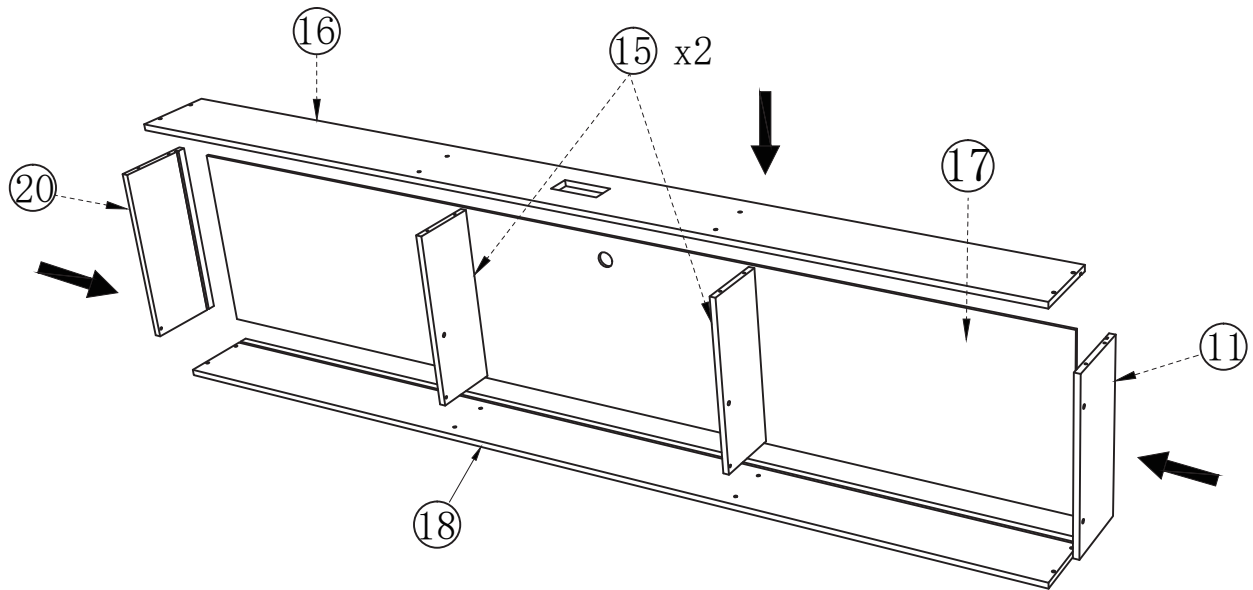


Step:2

L		1pcs
---	---	------

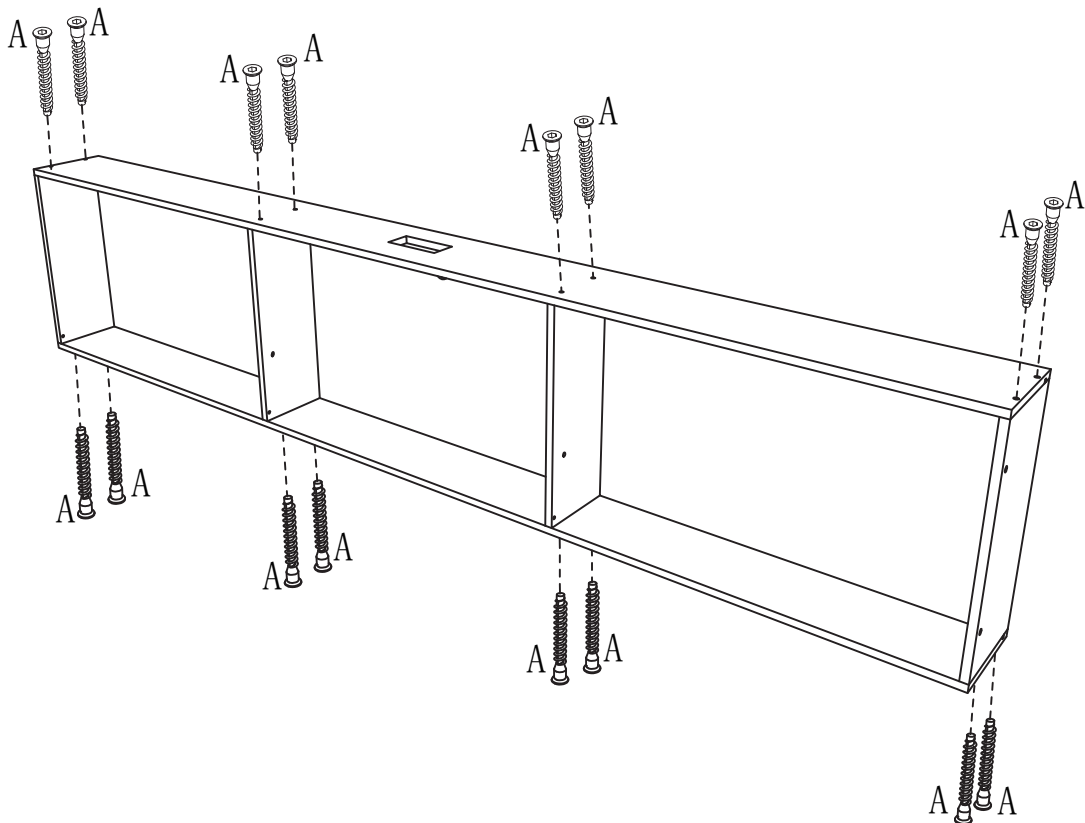


Step:3



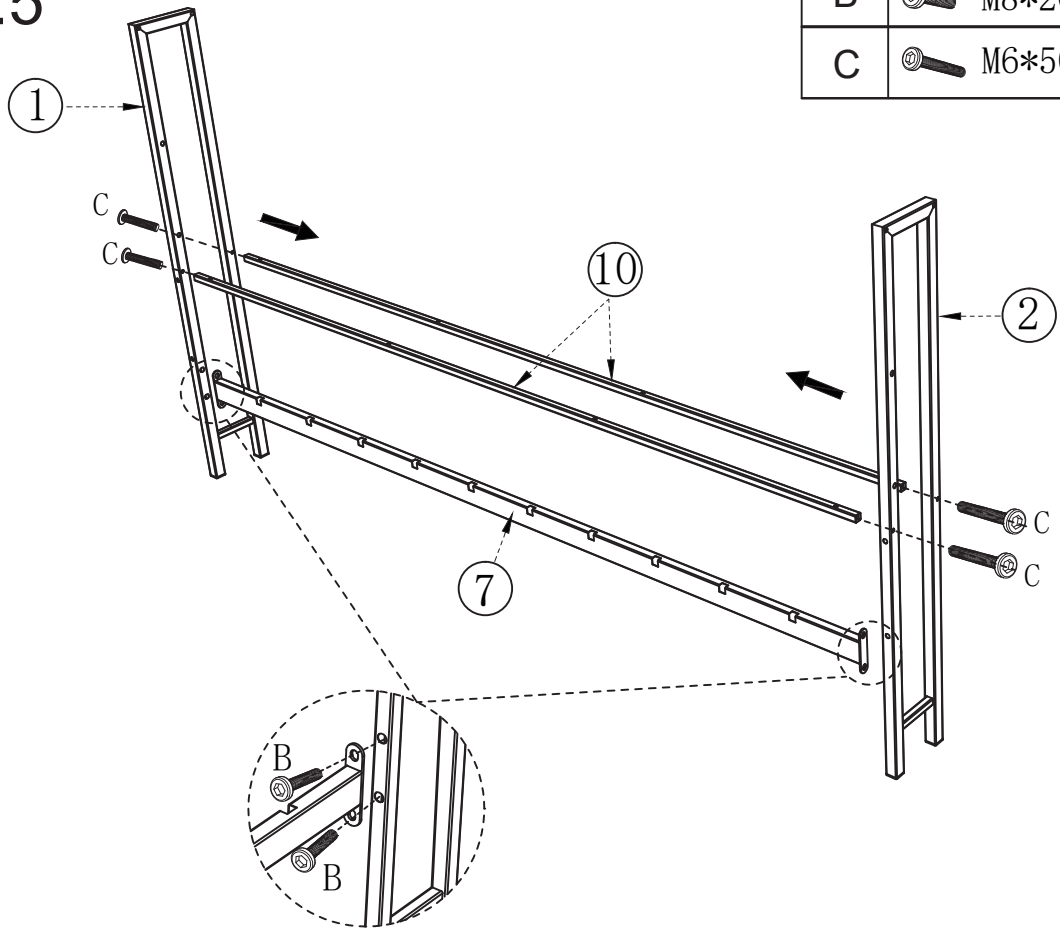
Step:4

A		M5*40mm	16pcs
---	---	---------	-------

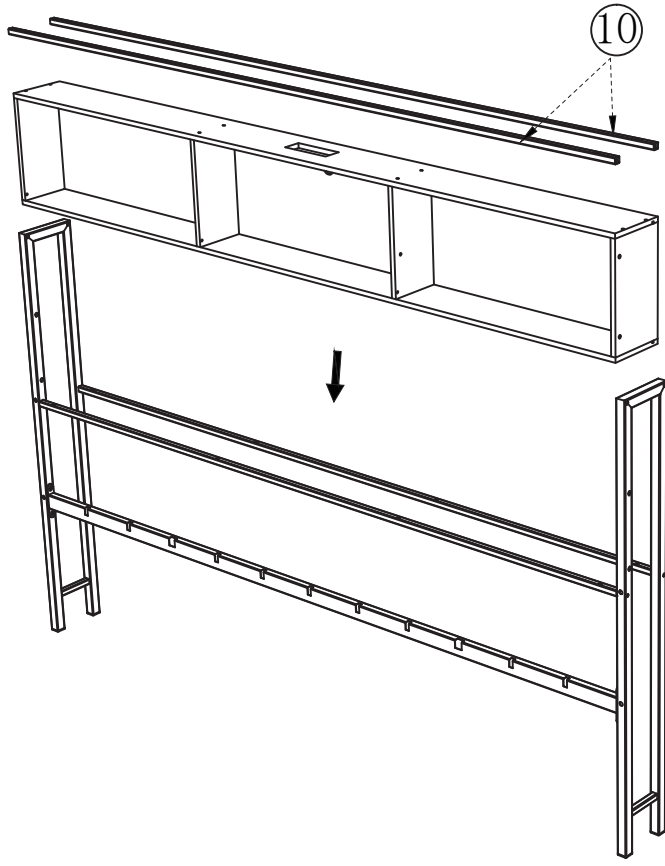


Step:5



B		M8*20mm	4pcs
C		M6*50mm	4pcs

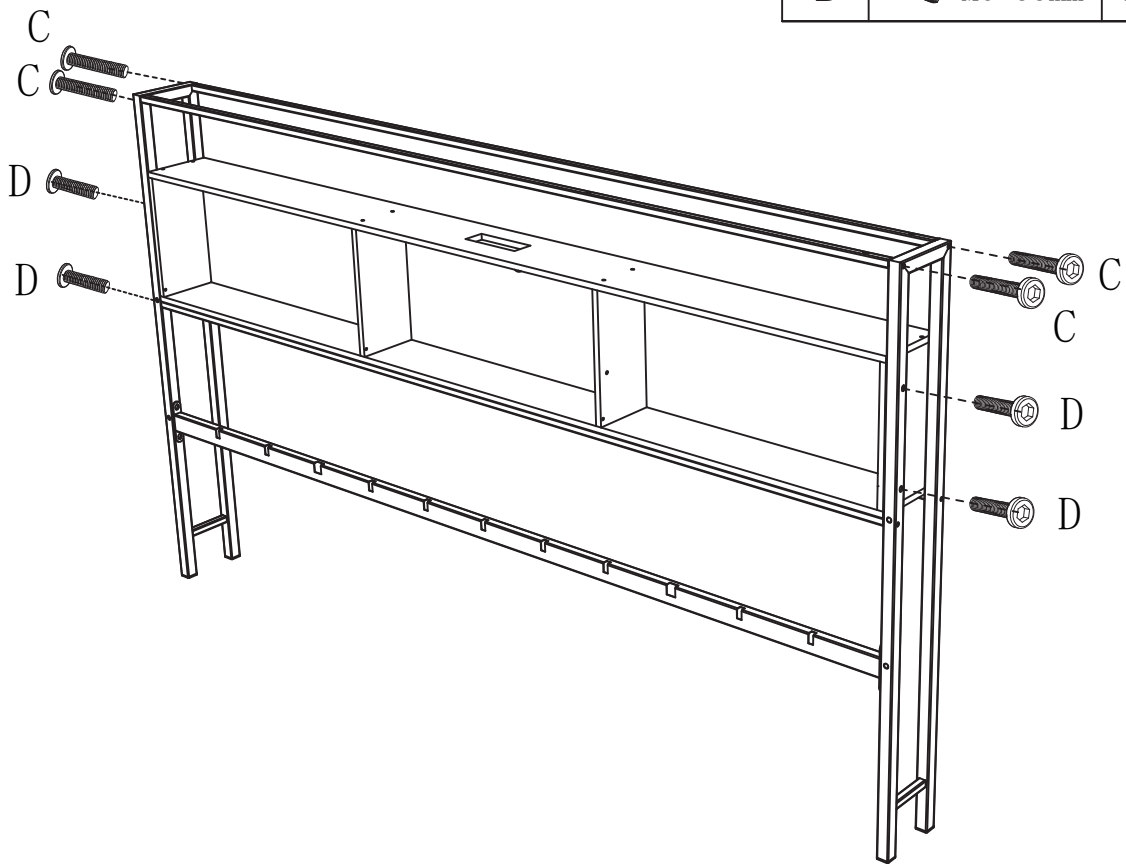


Step:6



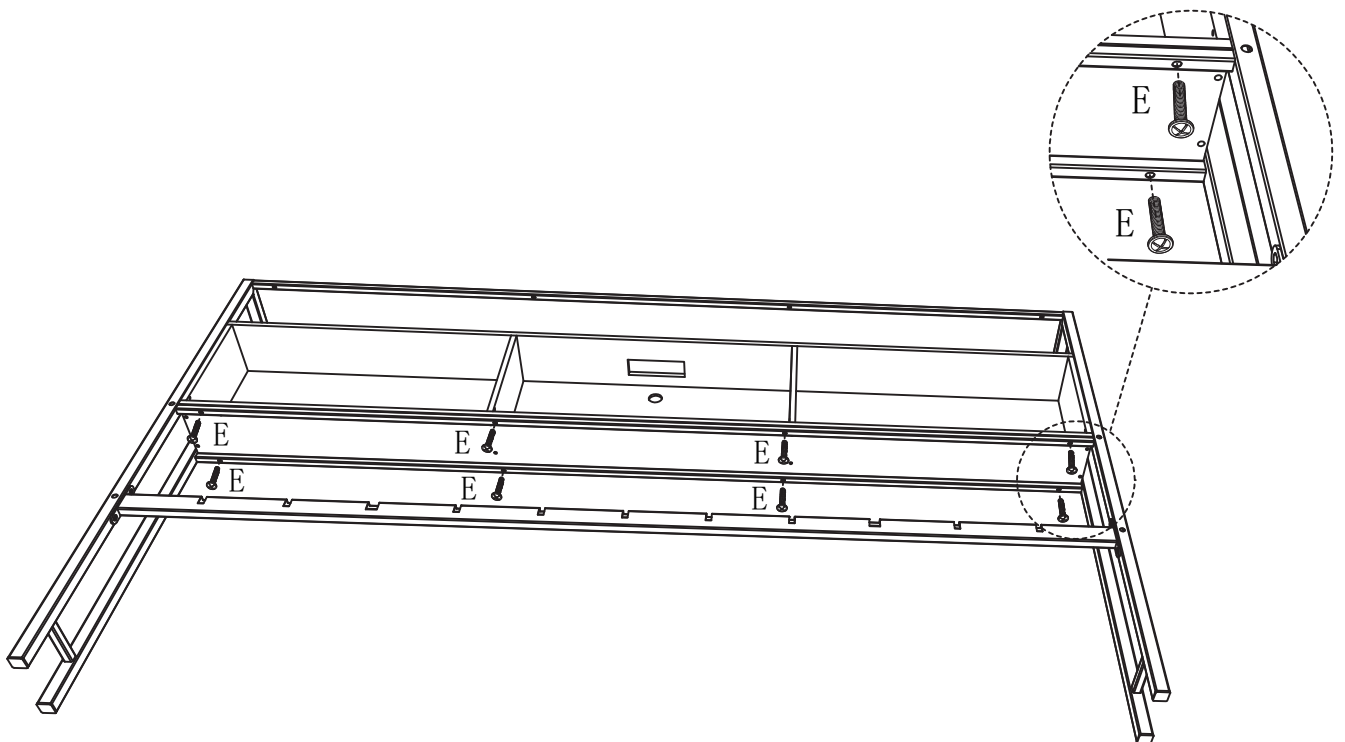
Step:7

C		M6*50mm	4pcs
D		M6*35mm	4pcs

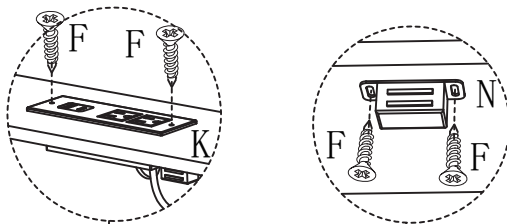





Step:8

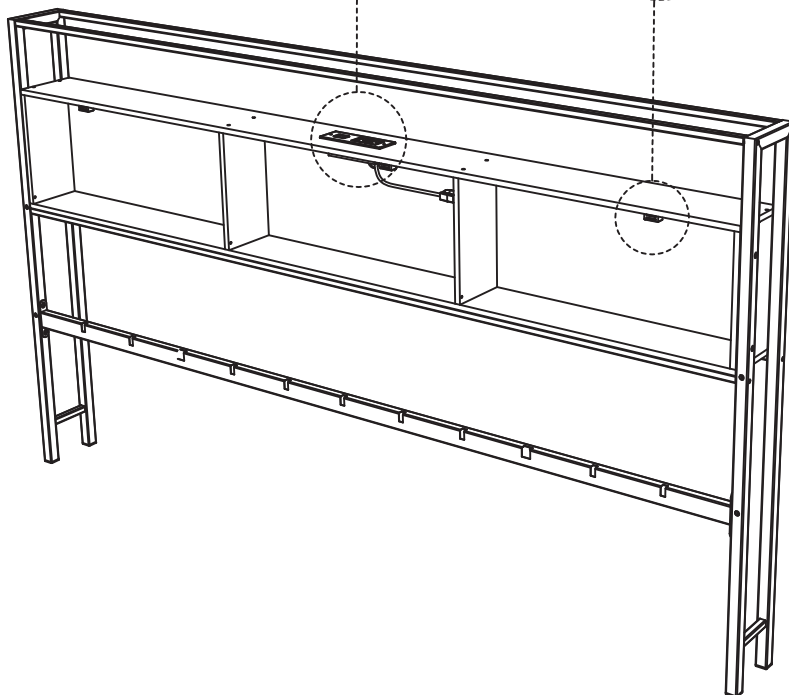
E		M4*25mm	8pcs
---	---	---------	------




Step:9

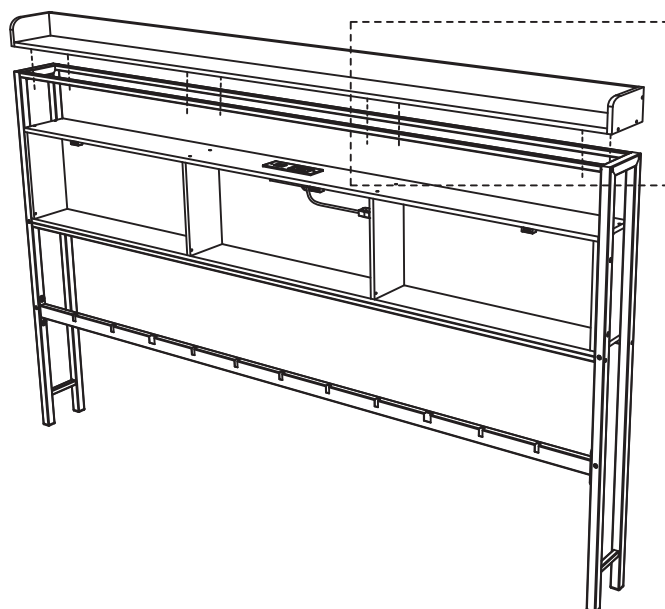


F	 M4*10mm	8pcs
K		1pcs
N		3pcs





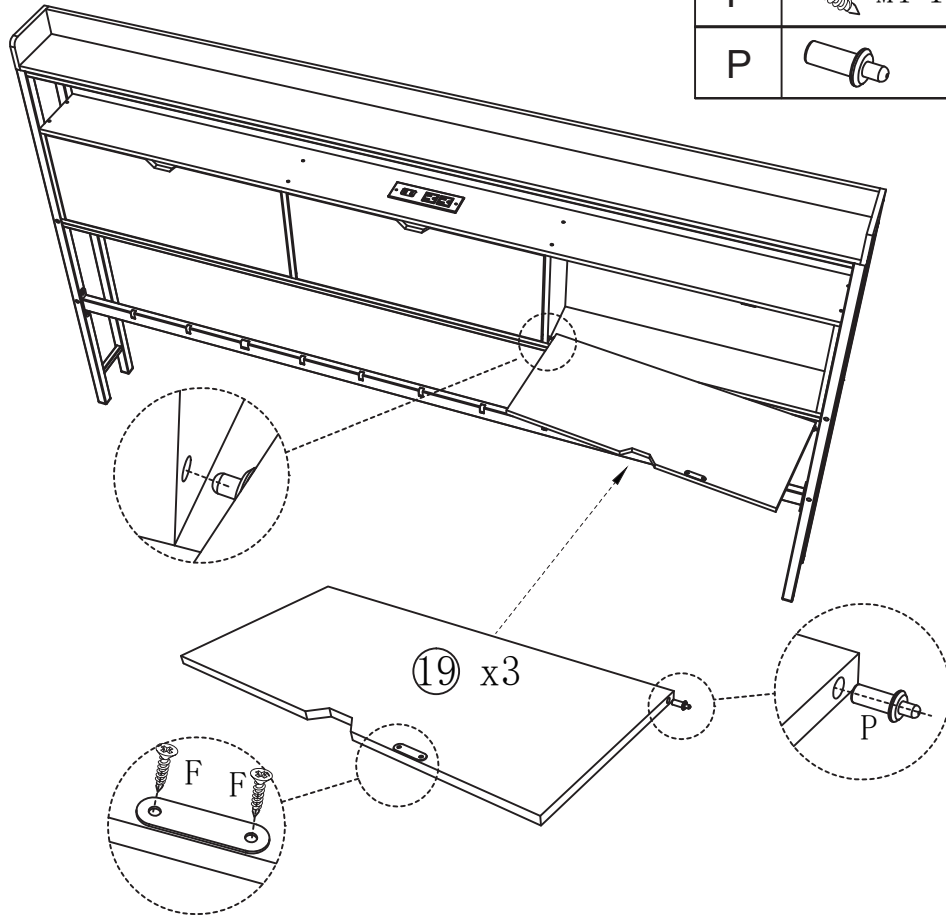
Step:10

E	 M4*25mm	8pcs
---	---	------





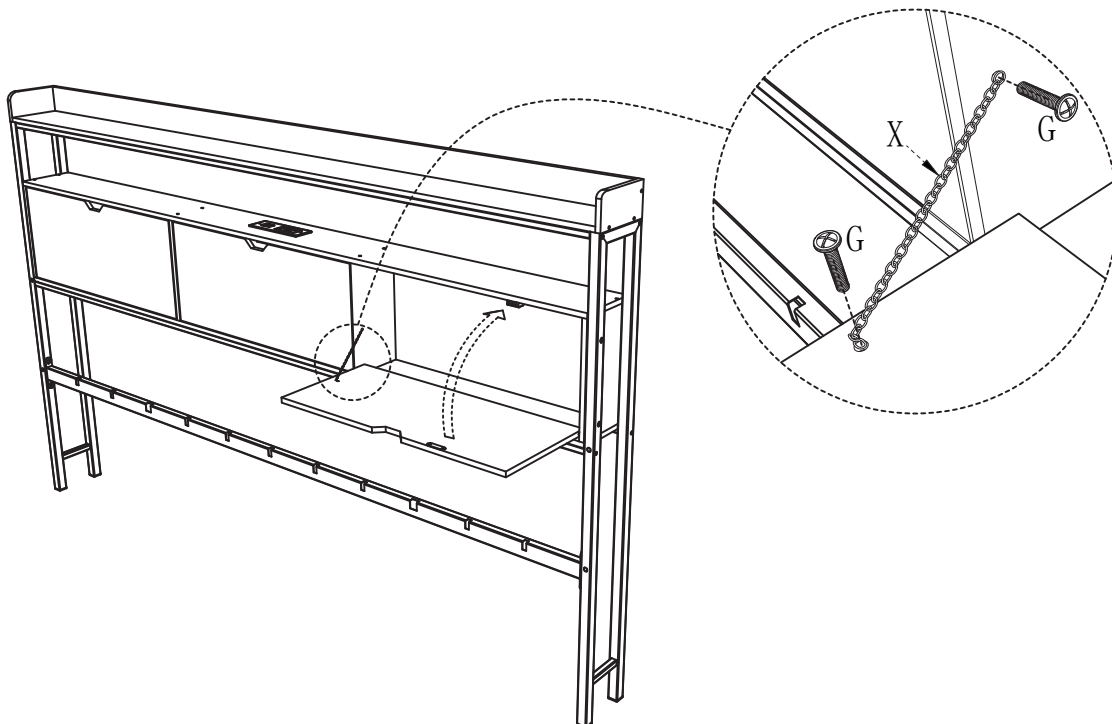
Step:11

F		M4*10mm	6pcs
P			6pcs

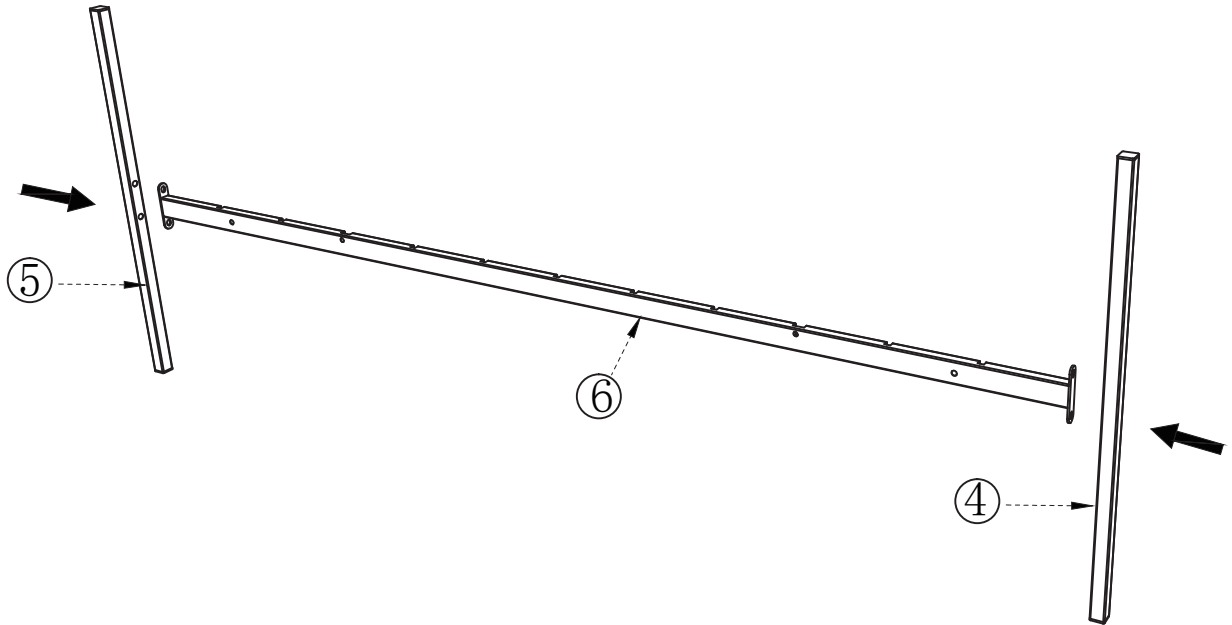


Step:12


G		M4*10mm	6pcs
X			3pcs

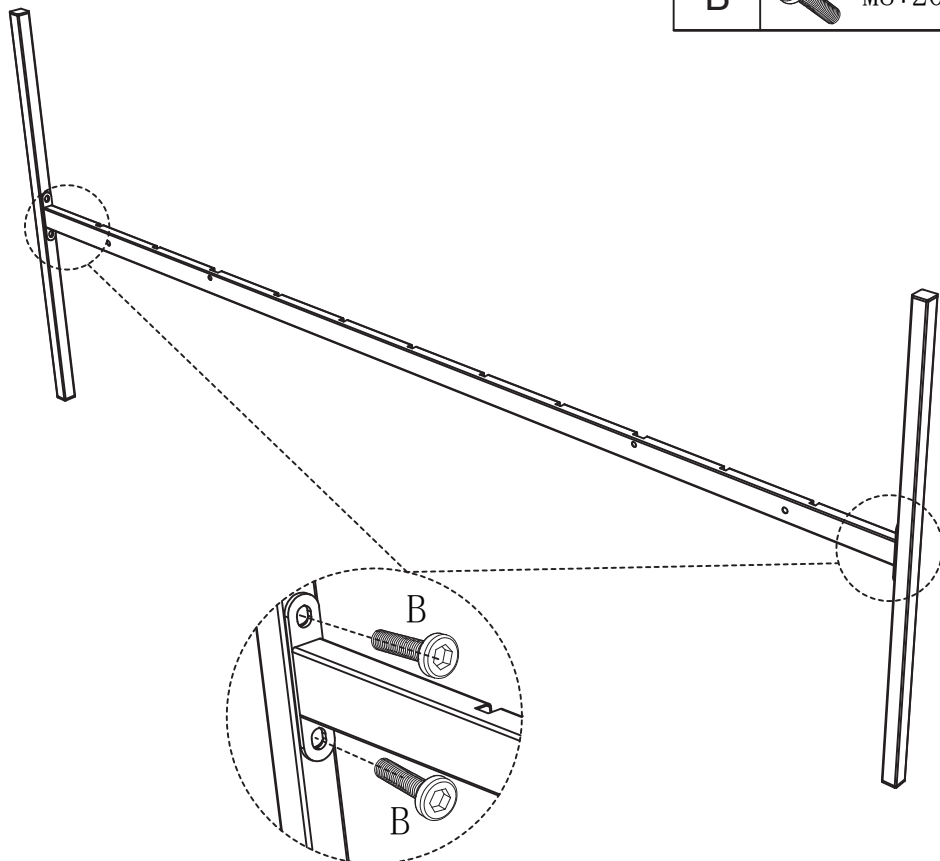


Step:13




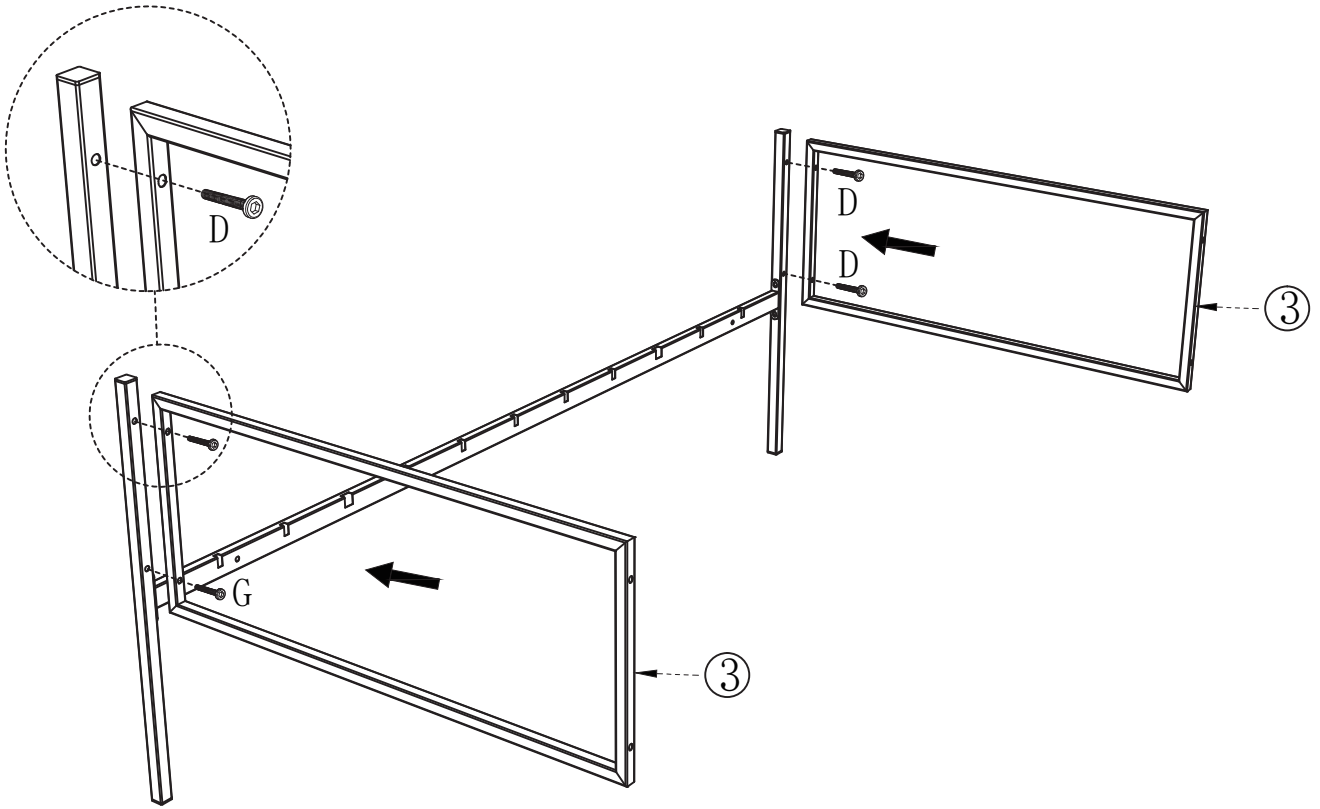
Step:14

B		M8*20mm	4pcs
---	---	---------	------




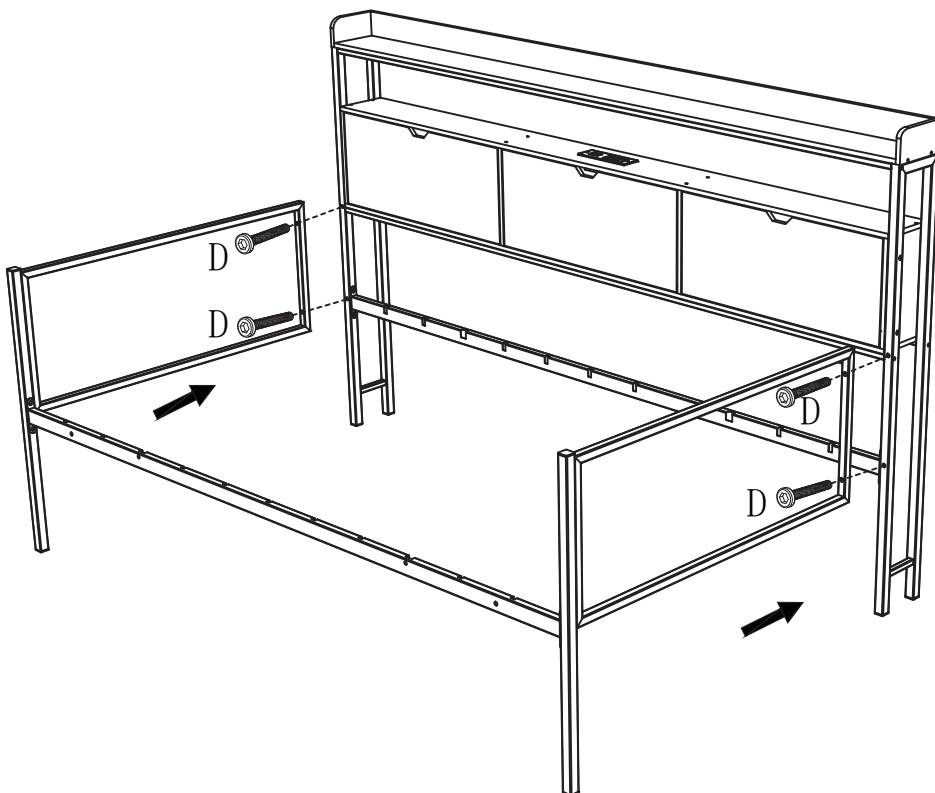
Step:15

D		M6*35mm	4pcs
---	---	---------	------




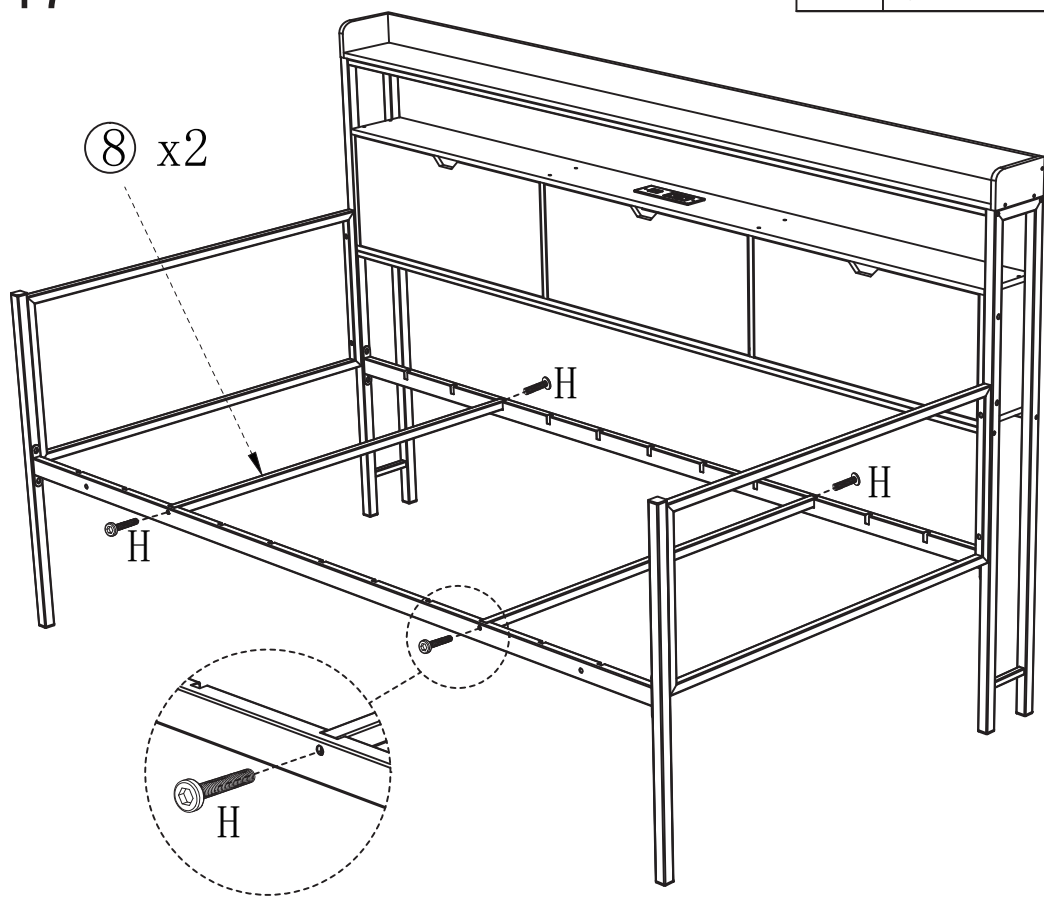
Step:16

D		M6*35mm	4pcs
---	---	---------	------

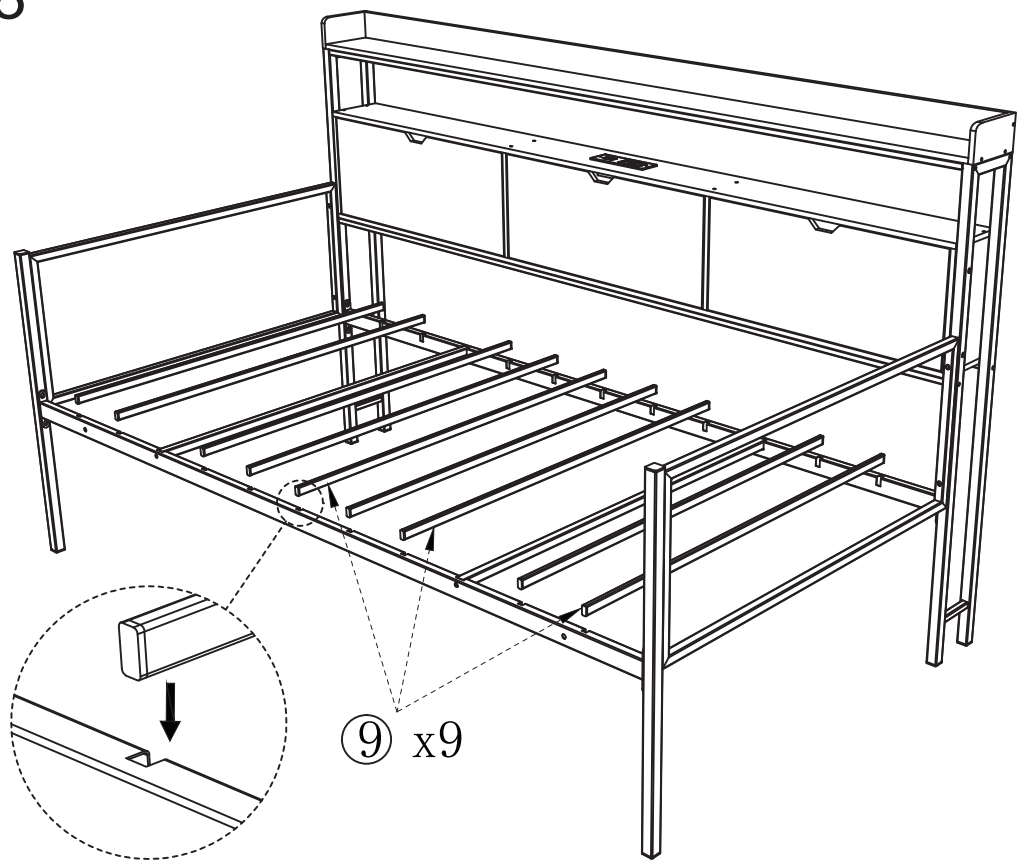


Step:17


H		M6*25mm	4pcs
---	---	---------	------

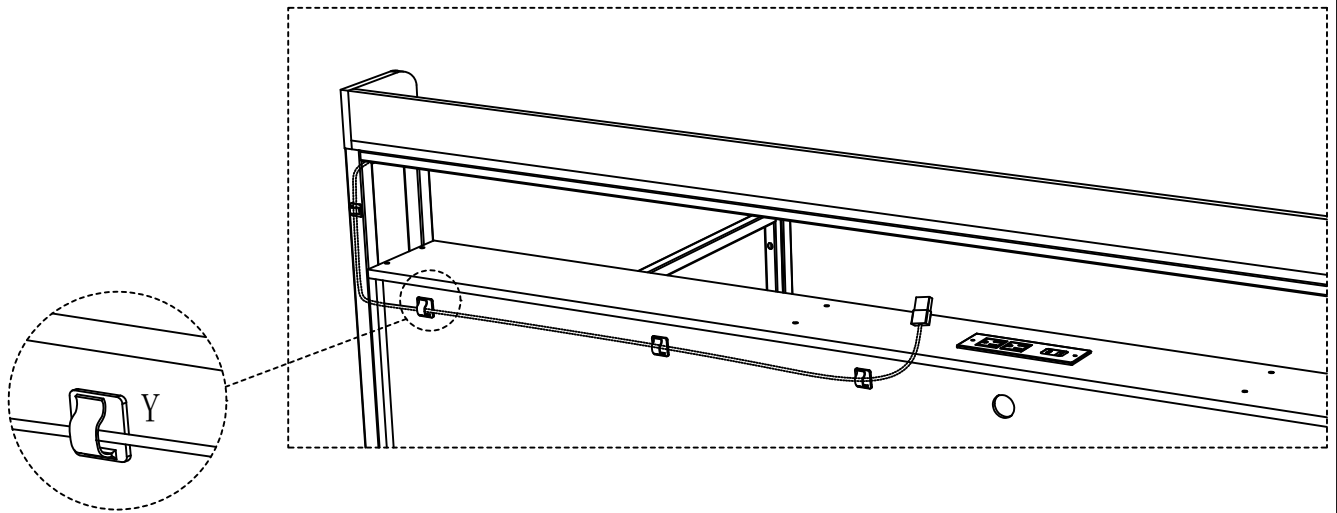


Step:18

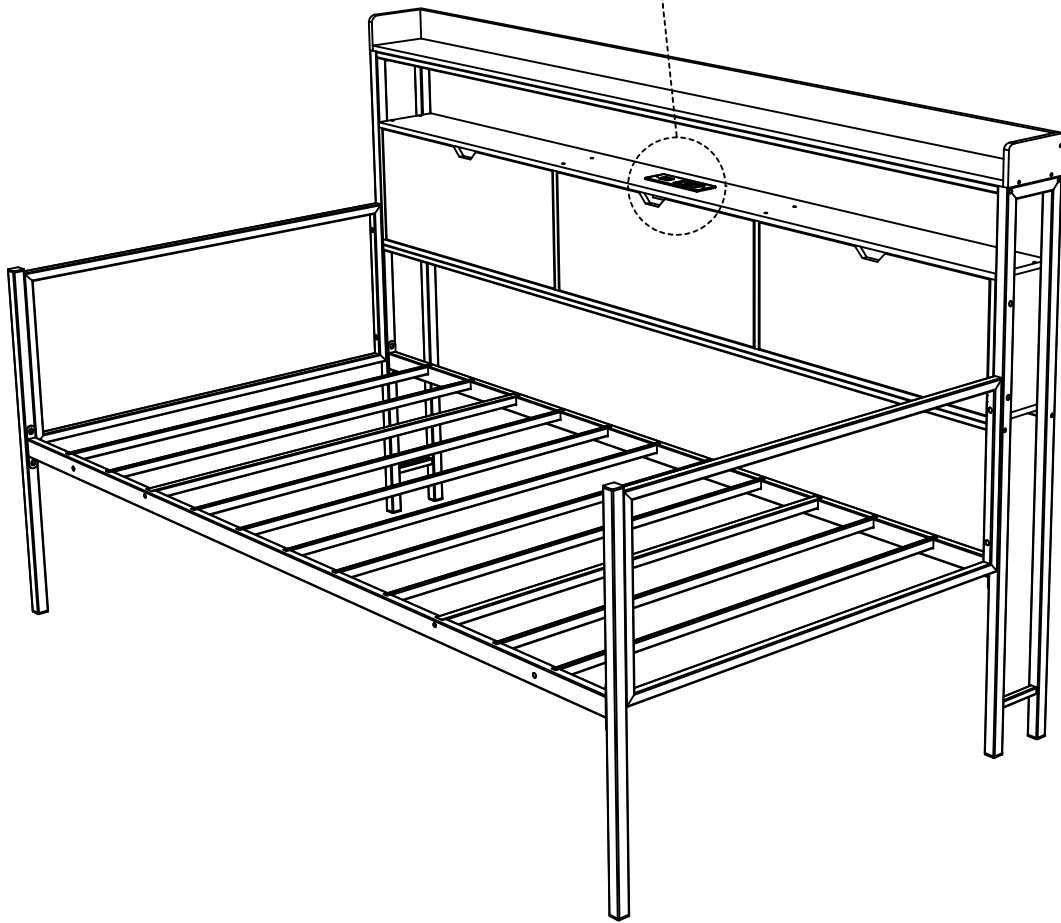
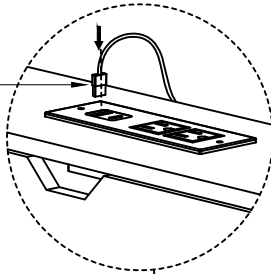


Step:19

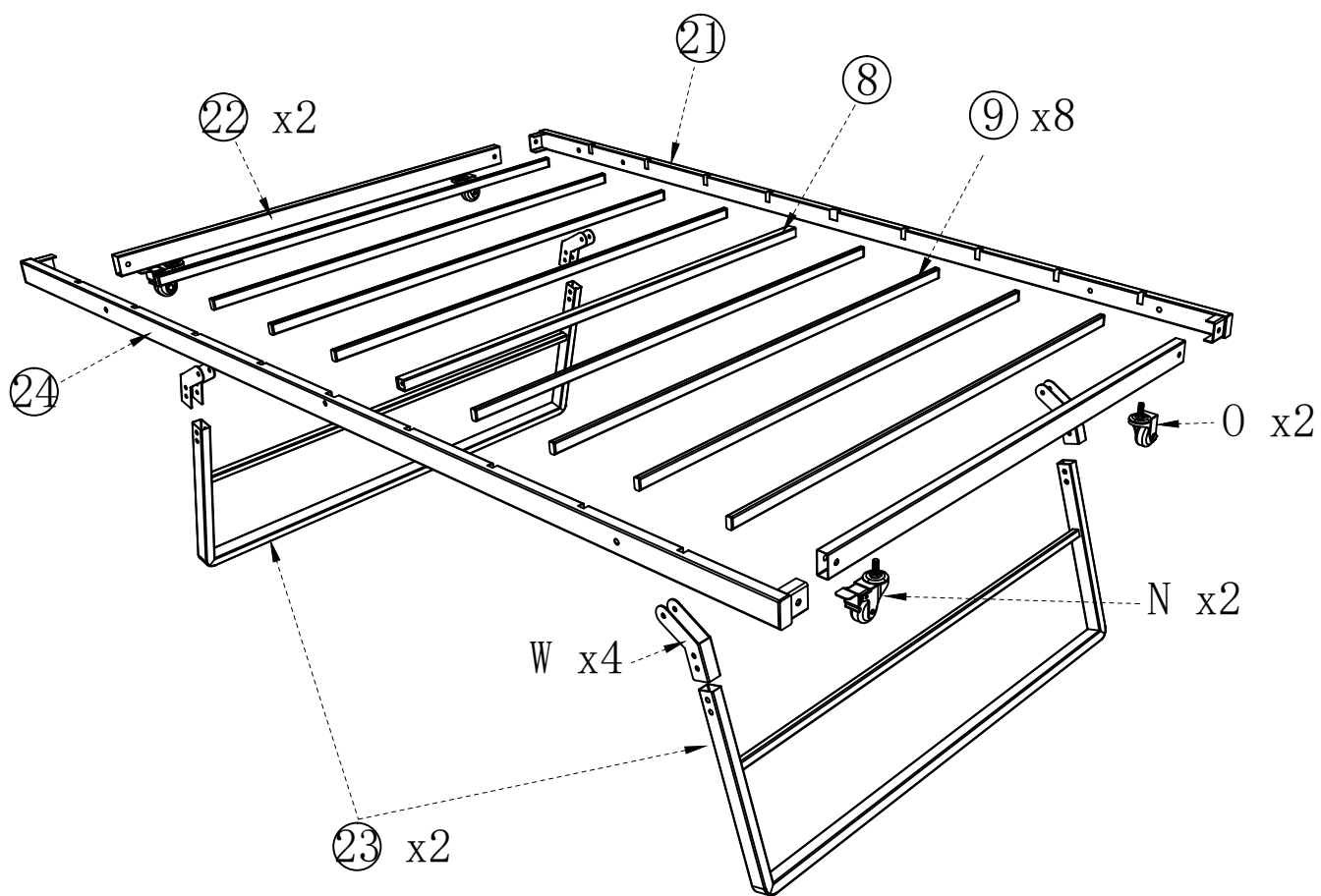
Y		4pcs
---	---	------



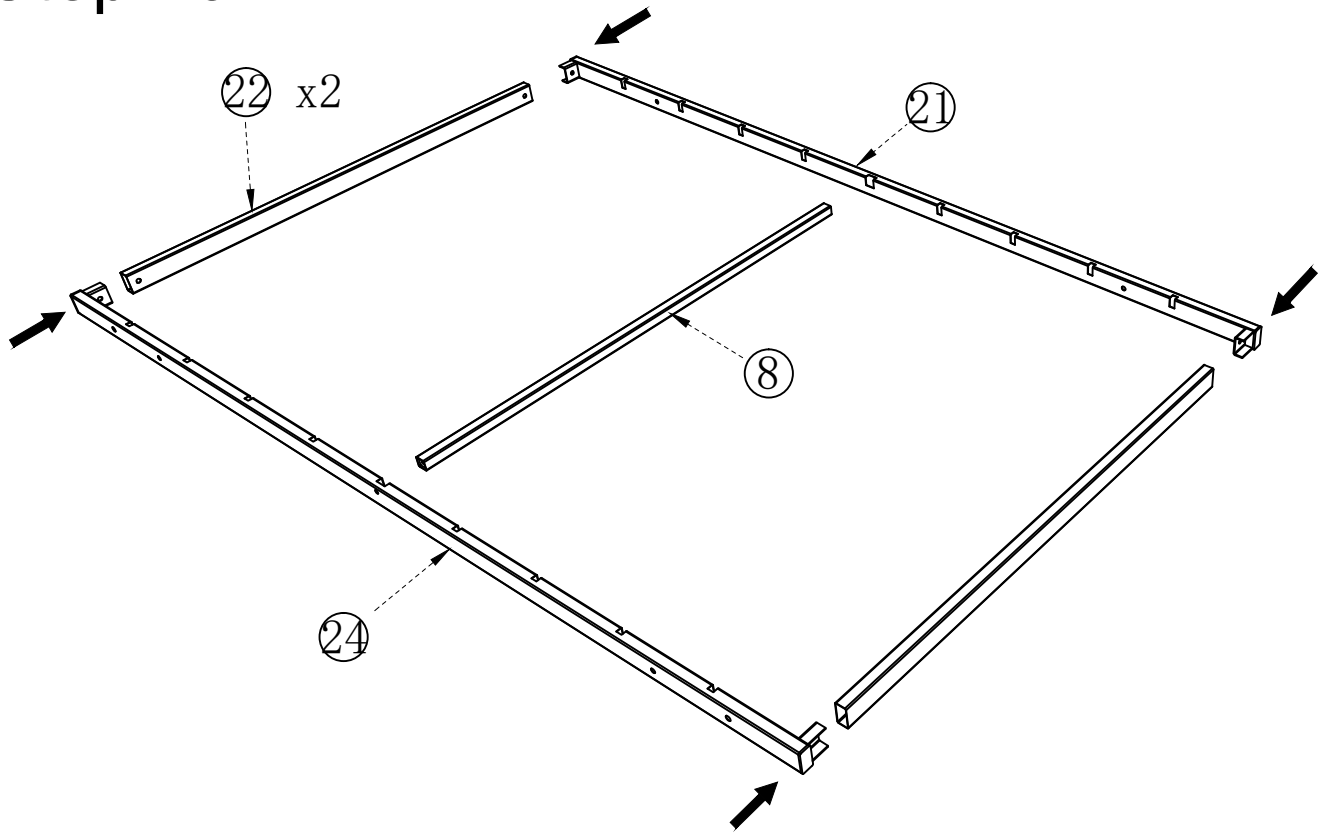
This LED light strip
directly into the USB





EXPLODED DRAWING:

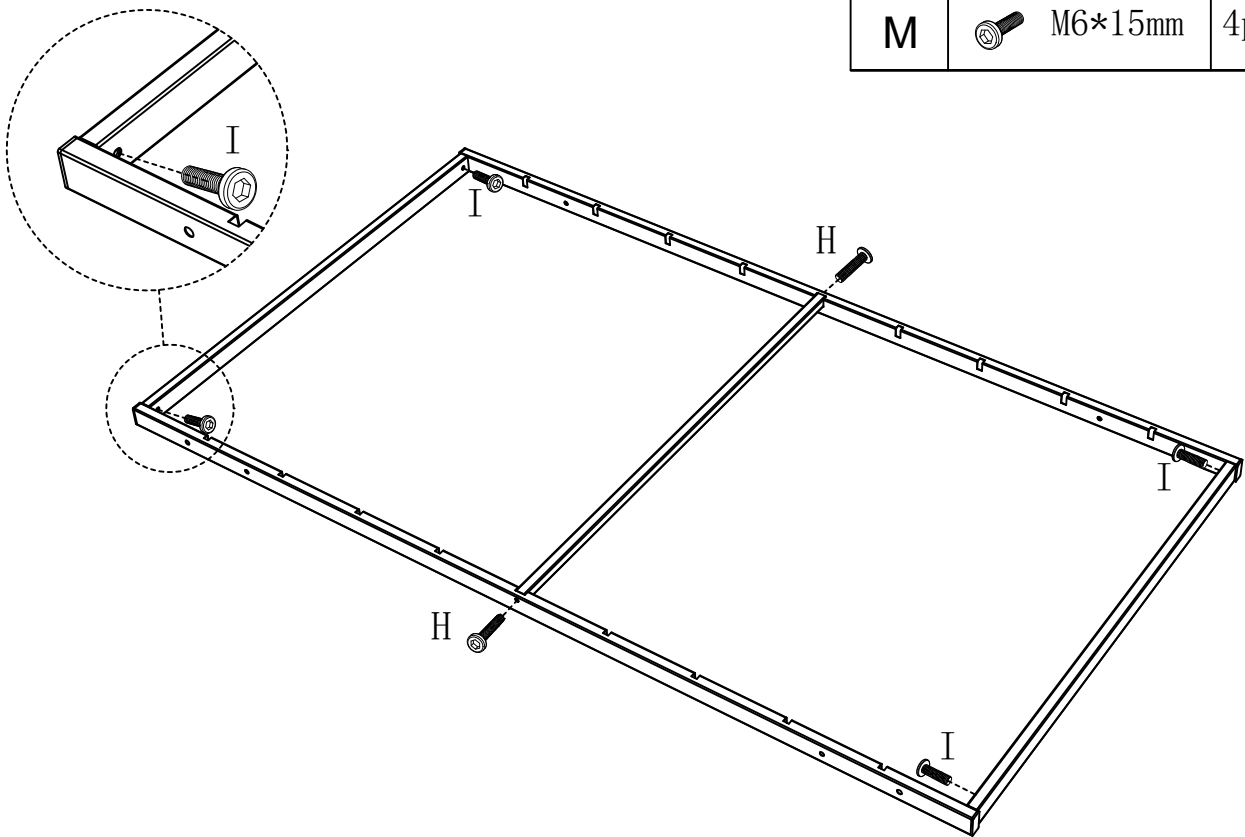


Step:20





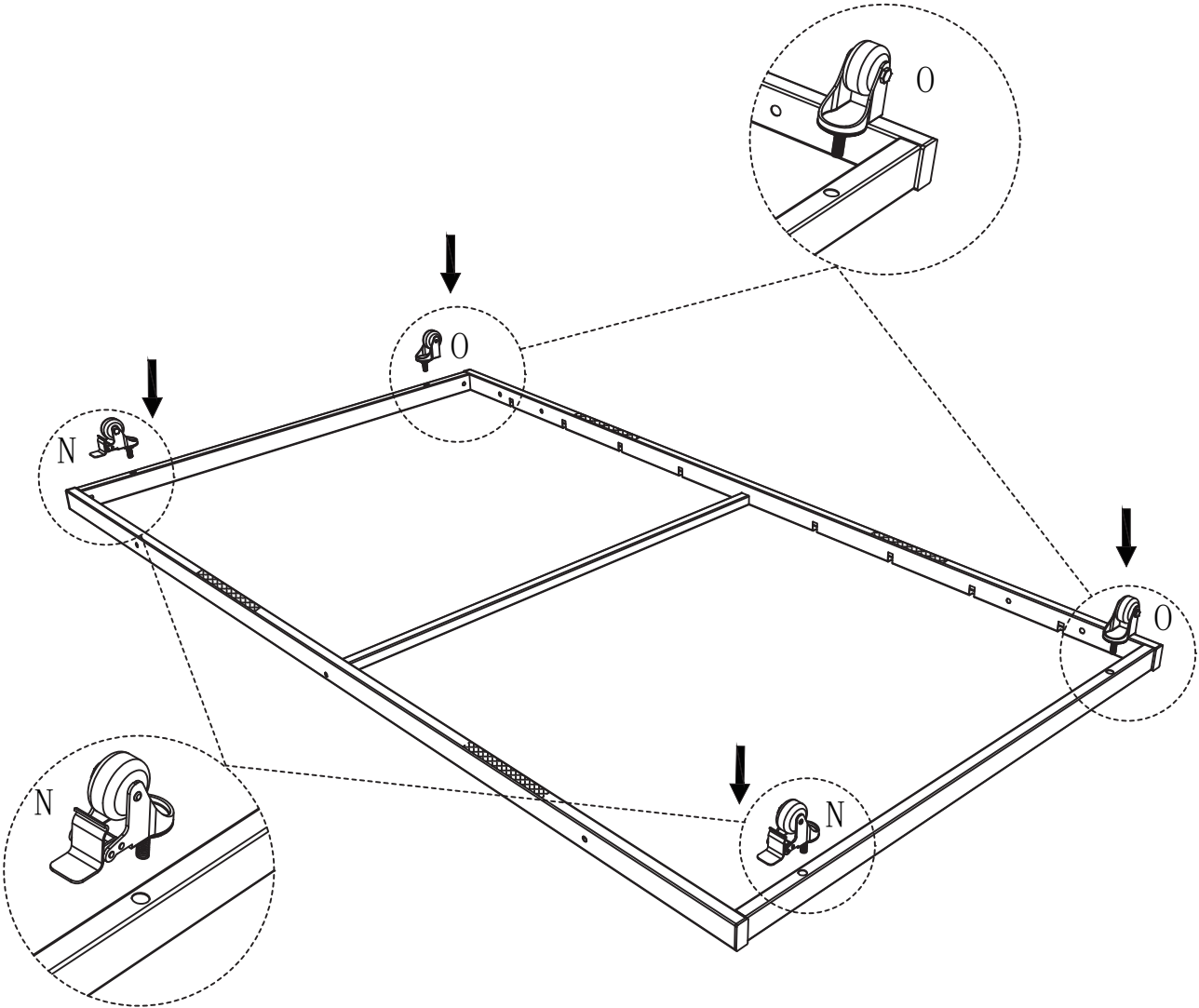
Step:21

H	 M6*25mm	2pcs
M	 M6*15mm	4pcs

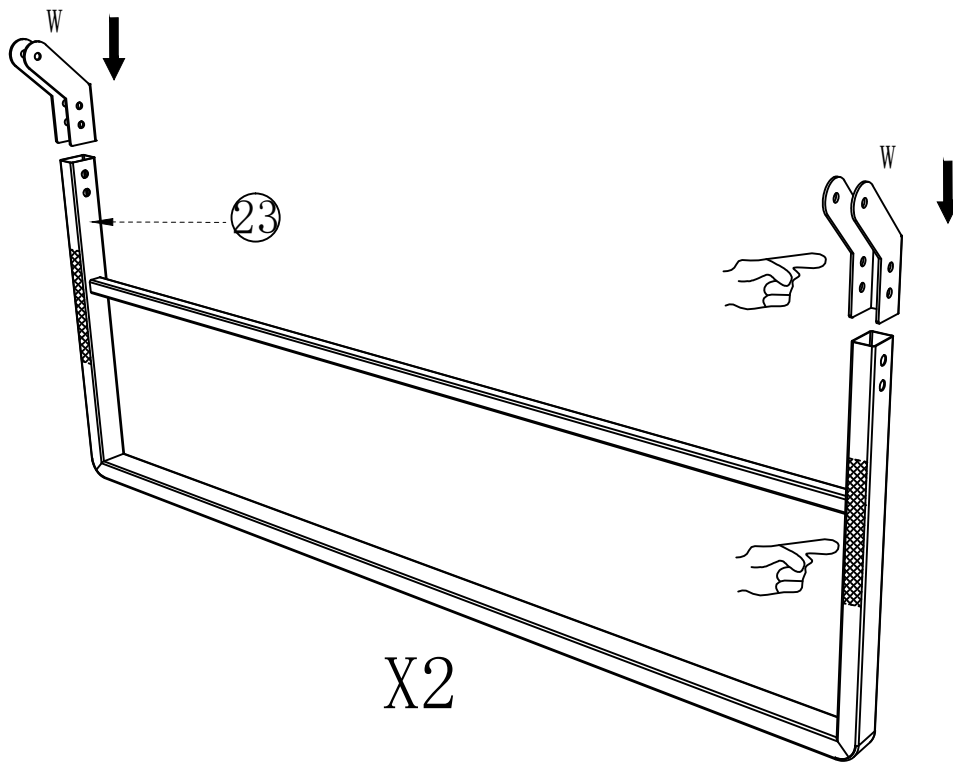


Step:22





N		2pcs
O		2pcs

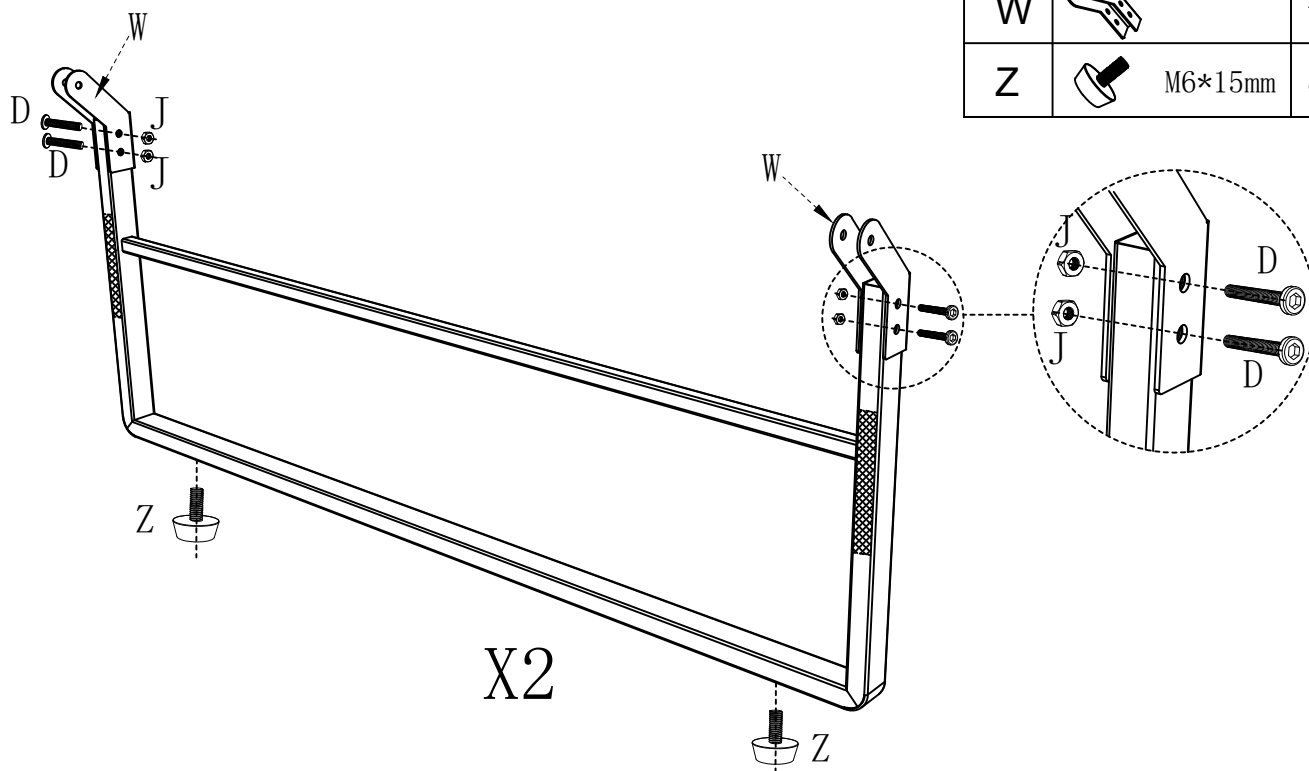


Step:23

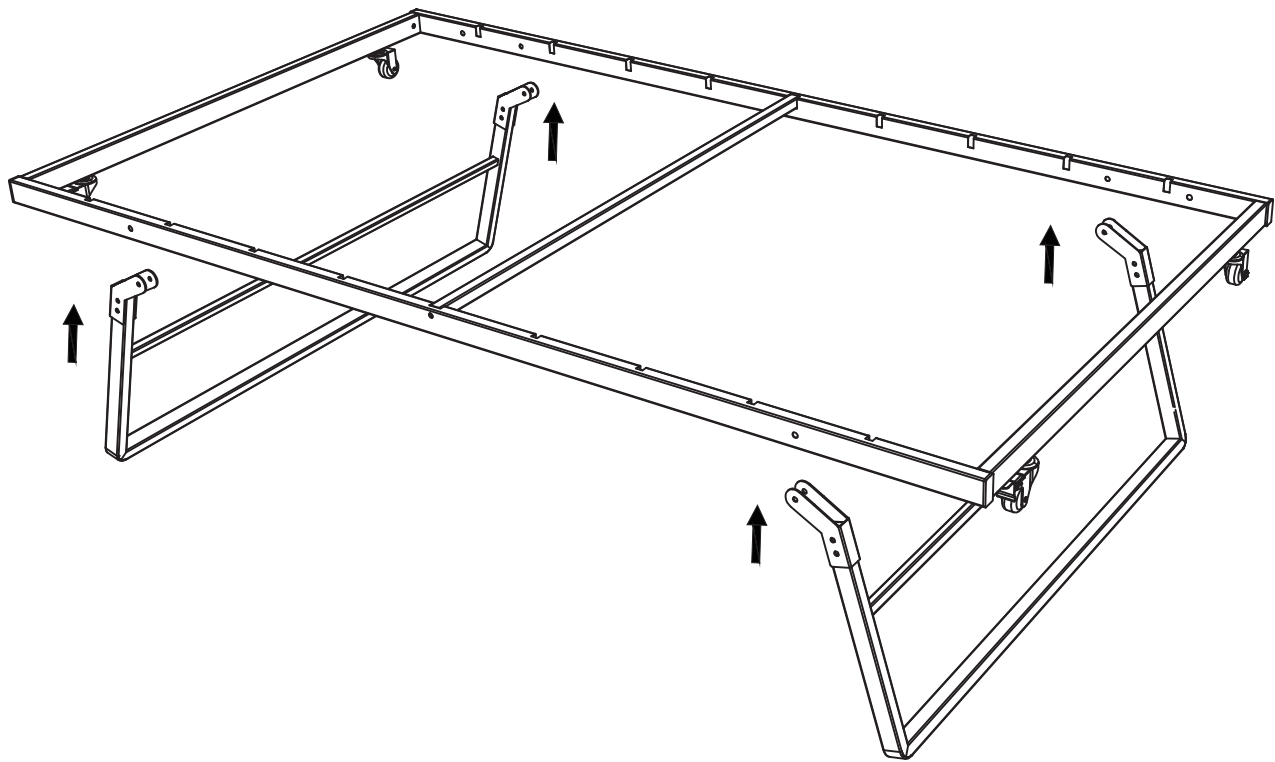


Step:24



D		M6*35mm	8pcs
J		M6	8pcs
W			4pcs
Z		M6*15mm	8pcs

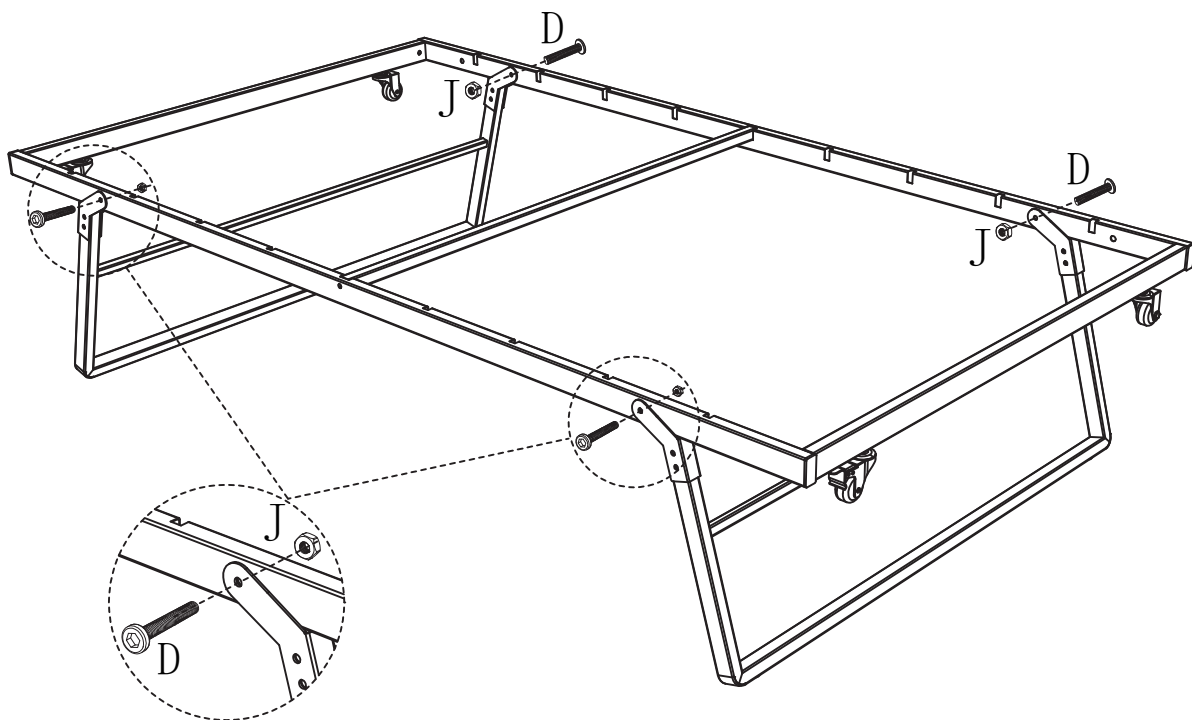


Step:25

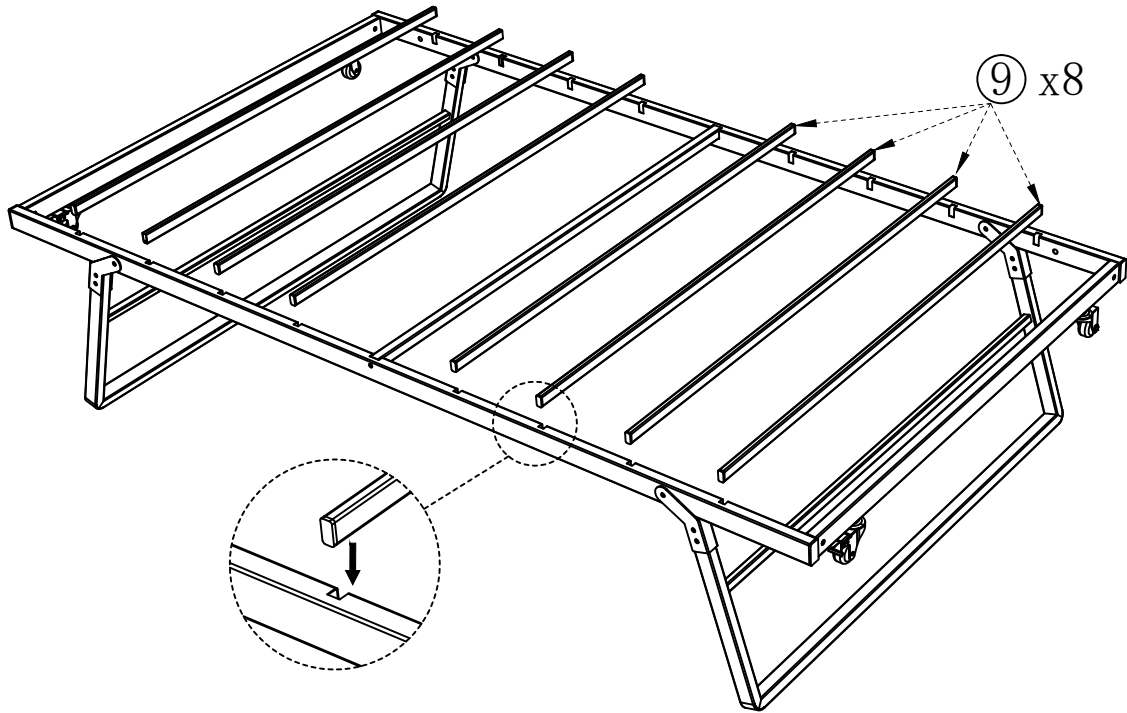


Step:26


D	 M6*35mm	4pcs
J	 M6	4pcs

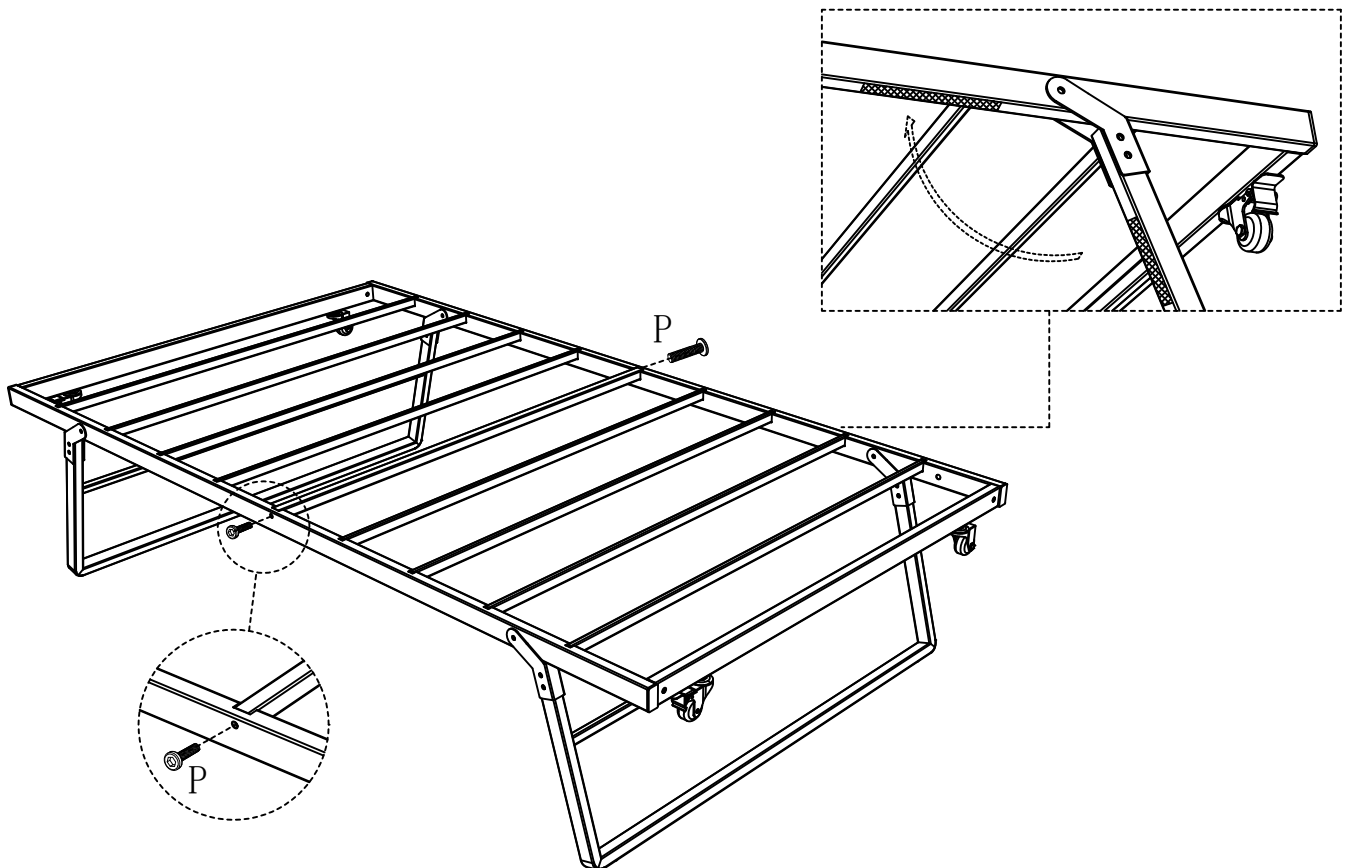


Step:27





Step:28

P	 M6*25mm	2pcs
---	---	------



Step:29

H	 M6*50mm	2pcs
M	 M6	2pcs

