

ASSEMBLY INSTRUCTIONS

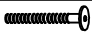







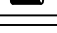
Read this instruction carefully. See hardware and furniture part list for guidance. Be sure all parts are complete, before you assemble. Place all wooden furniture parts on a clean and flat soft surface to prevent from being scratched. Follow the figure to start assembling.

CAUTIONS : 1. Do not FULLY - TIGHTEN the nut or nut bolt until all nut or bolt is ready assembled.
2. Do not OVER - TIGHTEN the nut or bolt to avoid causing damages to the thread.
3. Keep all hardware parts out of reach of children.

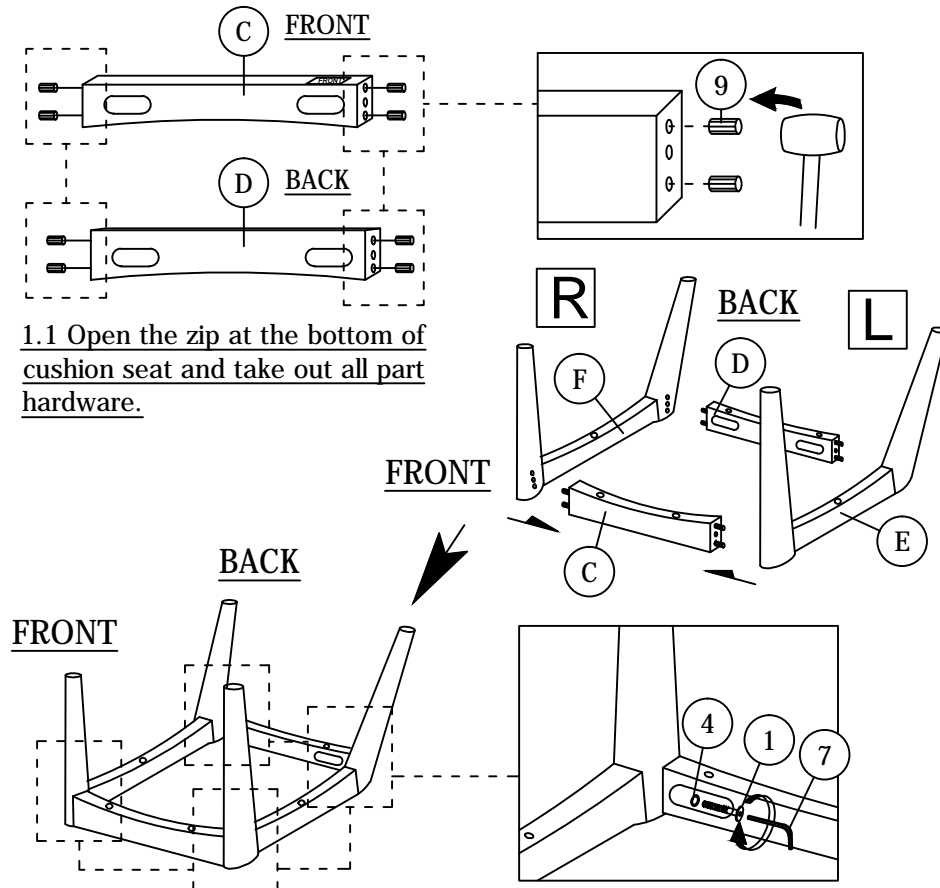
NOTE : THE LIST AND QUANTITY SHOWN ARE FOR 1 UNIT ASSEMBLY.

Tool needed : Screwdriver & Rubber Mallett (not provider).

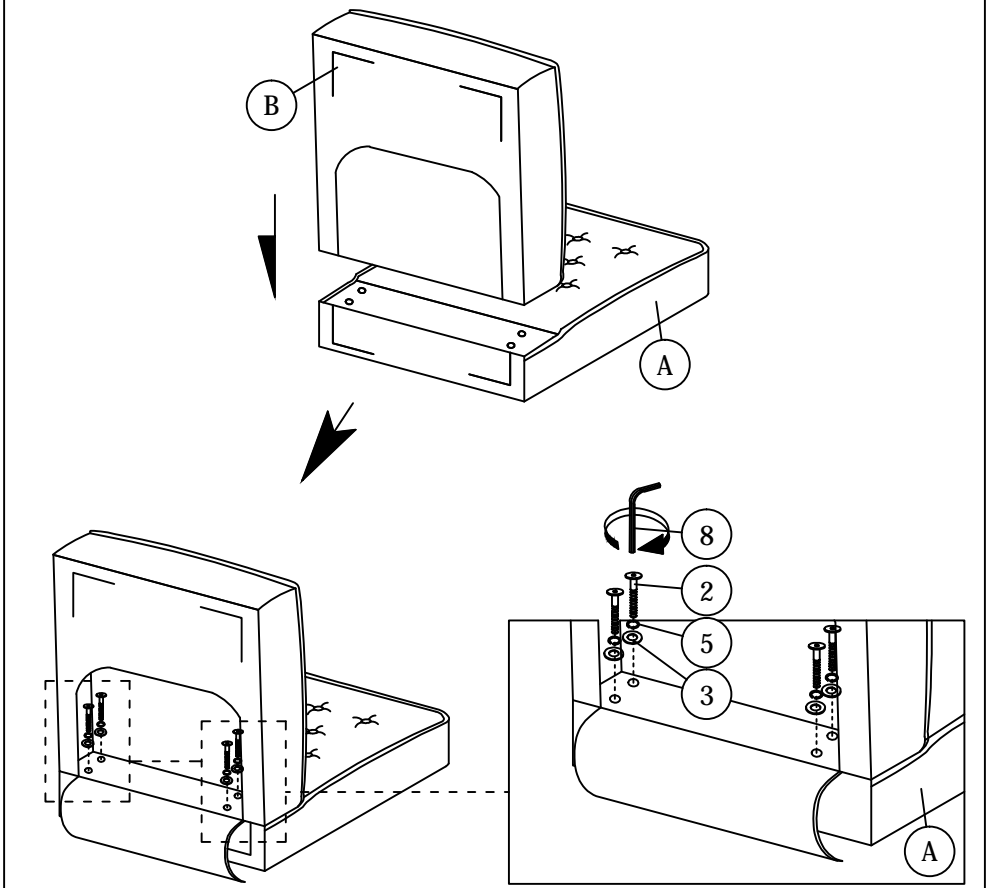
PART LIST		
ITEM	DESCRIPTION	QTY
A	CUSHION BACK	1 PC
B	CUSHION SEAT	1 PC
C	LEG SUPPORT FRONT	1 PC
D	LEG SUPPORT BACK	1 PC
E	LEG LEFT	1 PC
F	LEG RIGHT	1 PC

HARDWARE LIST		
ITEM	DESCRIPTION	QTY
1	JCBC Bolt M6 x 50mm 	4pcs
2	JCBB Bolt M8 x 45mm 	4pcs
3	M8 FLAT WASHER 	4pcs
4	M6 SPRING WASHER 	4pcs
5	M8 SPRING WASHER 	4pcs
6	WOOD SCREW M4 x 38mm 	6PCS
7	M4 ALLEN KEY (BALL SHAPE) 	1PC
8	M5 ALLEN KEY (BALL SHAPE) 	1PC
9	WOOD DOWEL M8 x 30mm 	8PCS

STEP 1

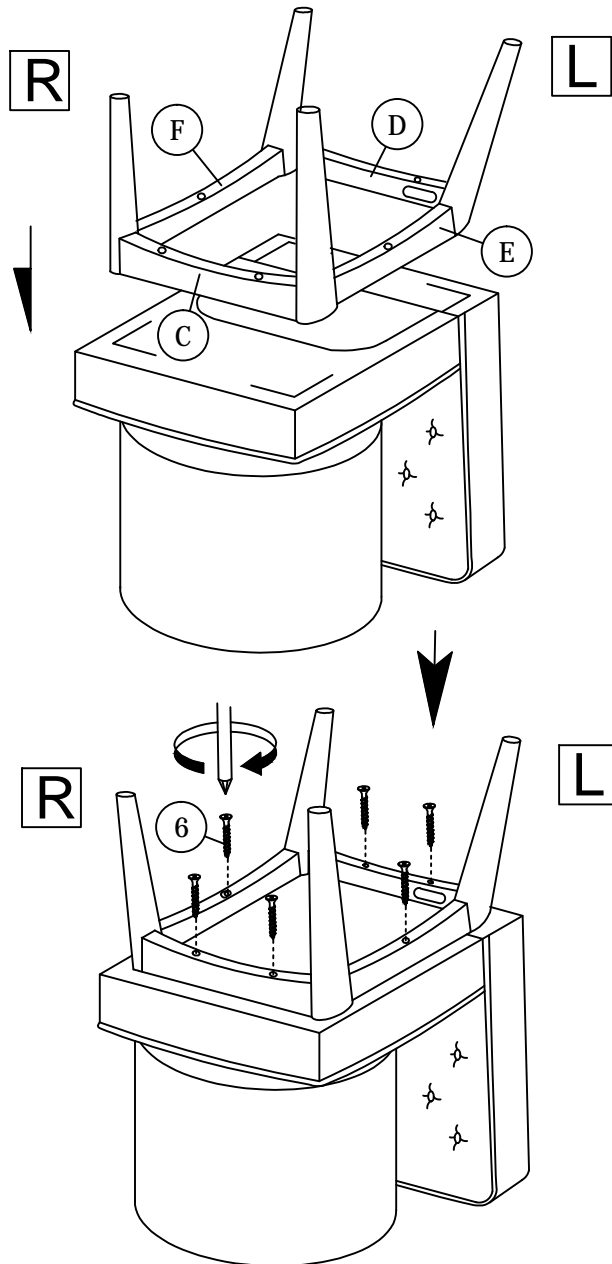


STEP 2



ASSEMBLY INSTRUCTIONS

STEP 3 3.1 Follow marking line assemble leg.



STEP 4

