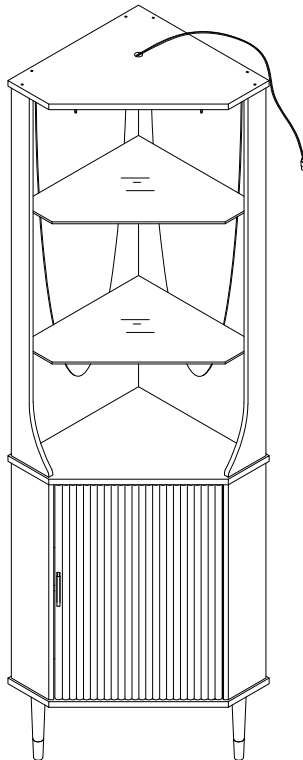


Corner storage cabinet



Please make sure to read the instruction manual carefully before installing the product.

Do Not Return This Product!

Contact our customer service team
for help first.

WARNING

- Unit can tip over causing severe injury or death.
- Anchor unit to stud in wall (if instructed to)
- Do Not allow children to climb on unit.
- Put heavy items on lower shelves or drawers.

**PEOPLE NEEDED
FOR ASSEMBLY:2**

CONTACT US!

Do NOT return this product!

Contact our friendly customer service team first for help.

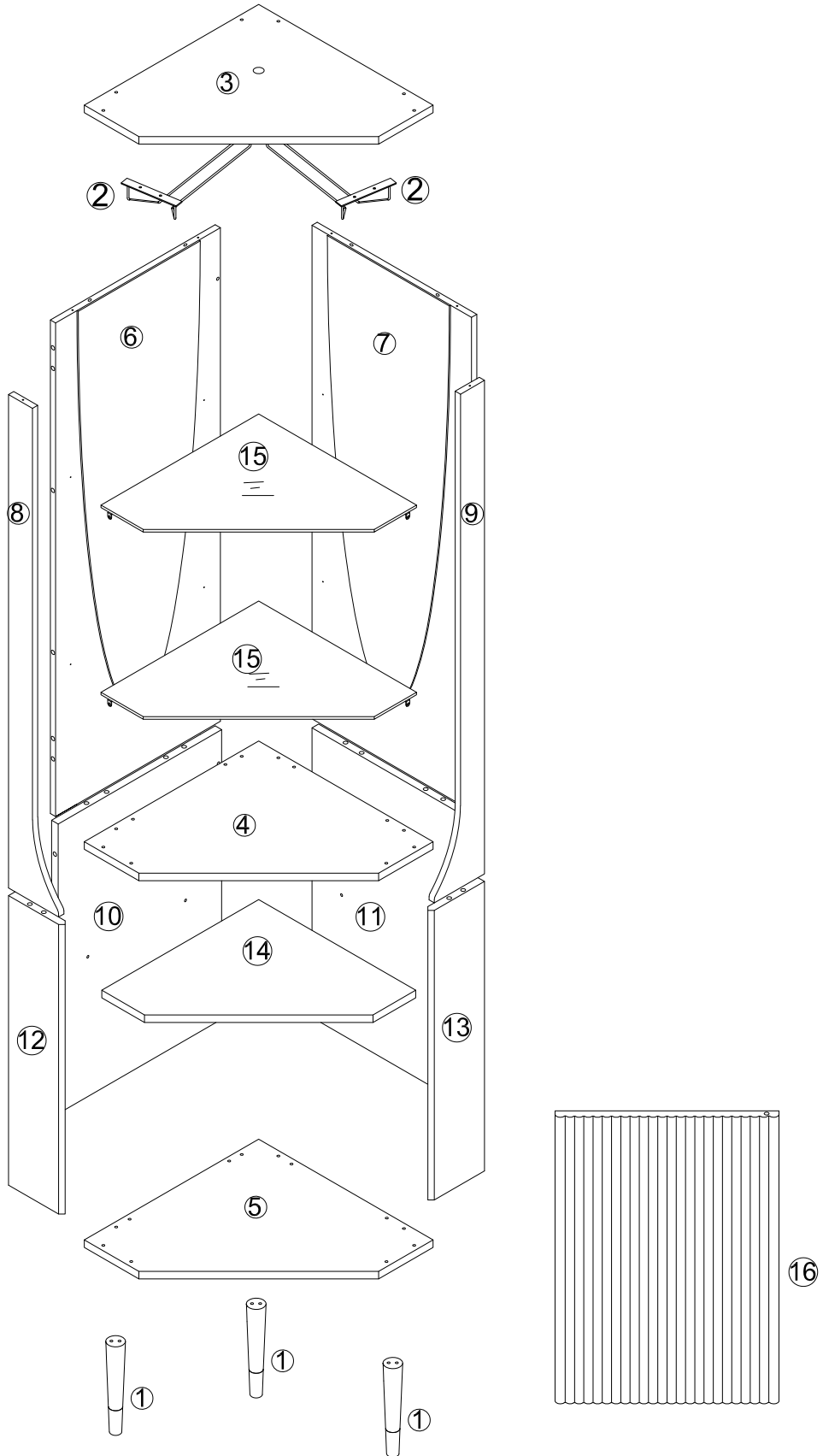
- Open your item in the area you plan to keep it to avoid excessive heavy lifting.
- Identify, sort and count the parts before attempting assembly.
- Back panel must be used to make sure your unit is sturdy.
- Do NOT use harsh chemicals or abrasive cleaners on this item.
- Never push,pull,or drag your furniture.



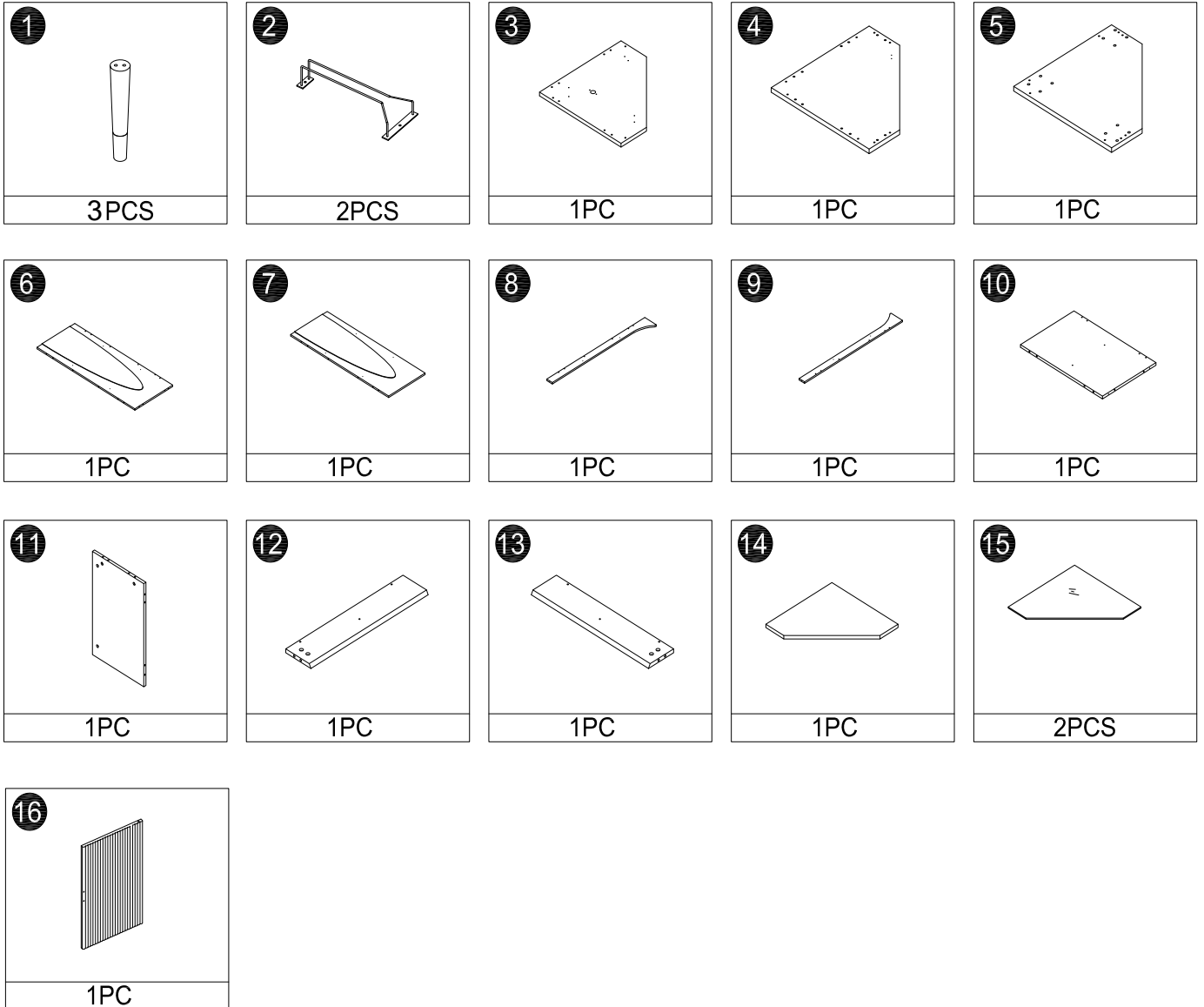
BEFORE YOU START

- Read through each step carefully and follow the proper order
- Separate and count all your parts and hardware
- Give yourself enough room for the assembly process
- Have the following tools:Flat Head Screwdriver,#2 Phillips Head Screwdriver and Hammer
- Caution: IF using a power drill or power screwdriver for screwing,please be aware to slow down and stop when screw is tight.Failure to do so may result in stripping the screw.




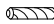

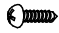

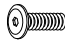







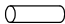



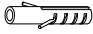



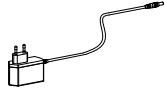
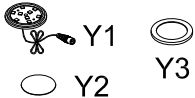

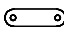
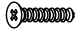
BOARD IDENTIFICATION

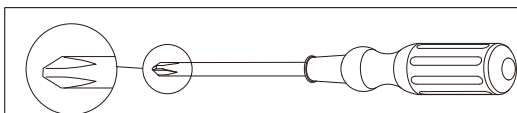


BOARD IDENTIFICATION



THE HARDWARES

A M6×35mm  Cam Bolt 20pcs	B Ø15×9.5mm  Cam Lock 20pcs	C Ø6×40mm  Bolt 14pcs	D Ø8×30mm  Wood Dowel 28pcs	E M4×30mm  Screw 20pcs	F M4×12mm  Screw 2pcs
G  Spring pads 12pcs	H M6×14mm  Bolt 12pcs	I  Metal Plate 3pcs	J Ø6×30mm  shelf Support 12pcs	K M3×12mm  Screw 16pcs	L M4×10mm  Screw 6pcs
M  Shelf Support 2pcs	N M4×22mm  Bolt 2pcs	O 4mm  Hex Key Wrench 1pc	P 5×20mm  Shelf Support 6pcs	Q Ø20mm  Cover 20pcs	R M6×19mm  Foot Pads 3pcs
S M4×30mm  Screw 2pcs	T 6×30mm  Wall Anchor 2pcs	U  safety bracket kit 2pcs	V  Spring coils 12pcs	W 102mm  Handle 1pc	X  Power Strip 1pc
Y  Strip Lights 1set	Z 45×13×13mm  Magnetic Catch 1pc	Z1 45×12mm  Metal sheet 1pc	Z2 M3×16mm  Screw 2pcs		



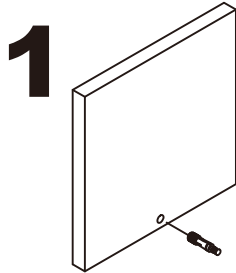
Phillips Screwdriver Power Tool NOT Recommended

IMPORTANT :

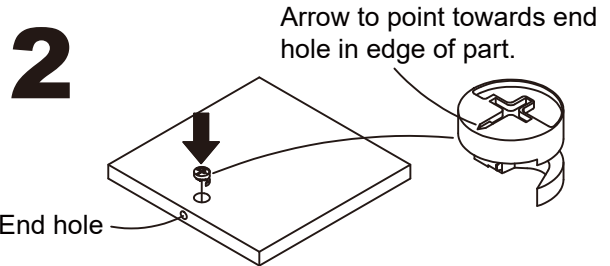
1. Do not tighten bolts / screws completely until all bolts / screws are lined up and inserted into holes.
2. Do not over tighten screws and bolts to avoid stripping.
3. Please use hand tools to assemble this product. Do not use power tools.

CAM LOCK FASTENING SYSTEM

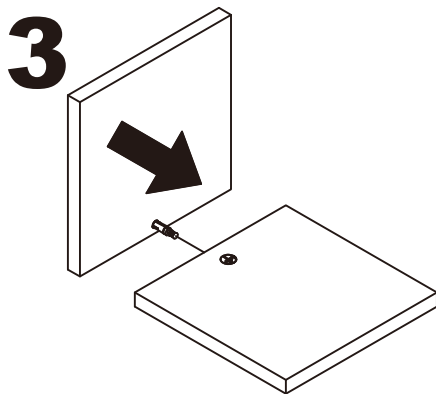
This Cam Lock Fastening System will be used throughout the assembly process.



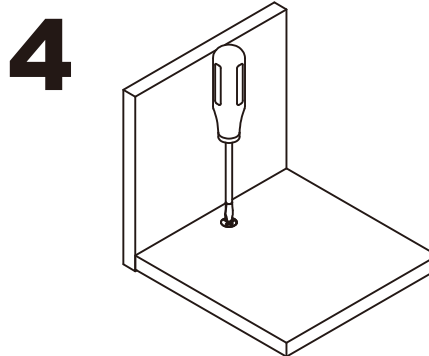
1 Press CAM BOLT into hole.



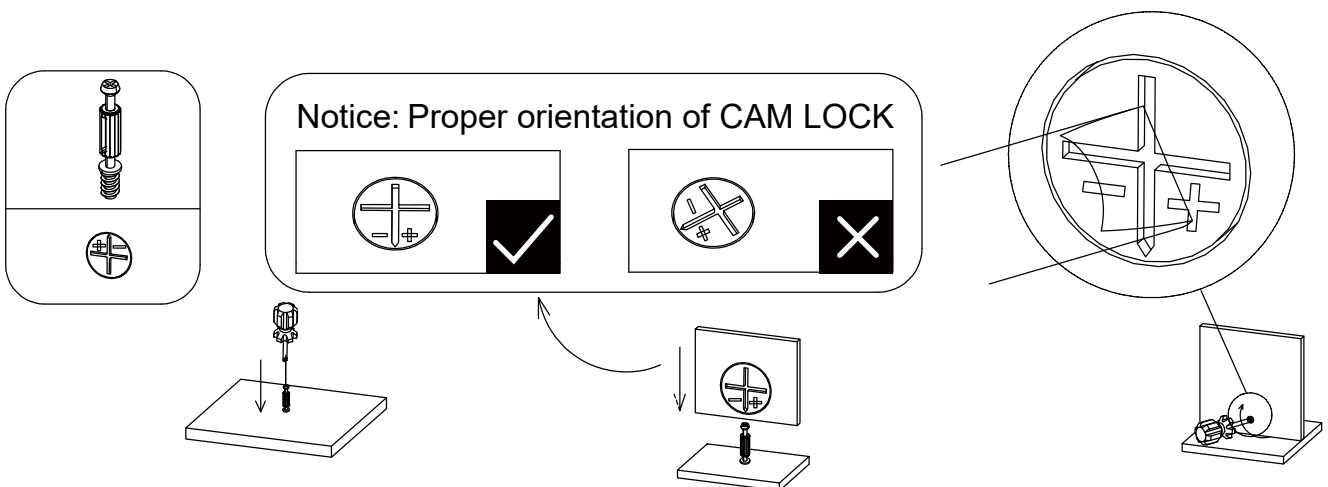
2 Press CAM LOCK into hole.



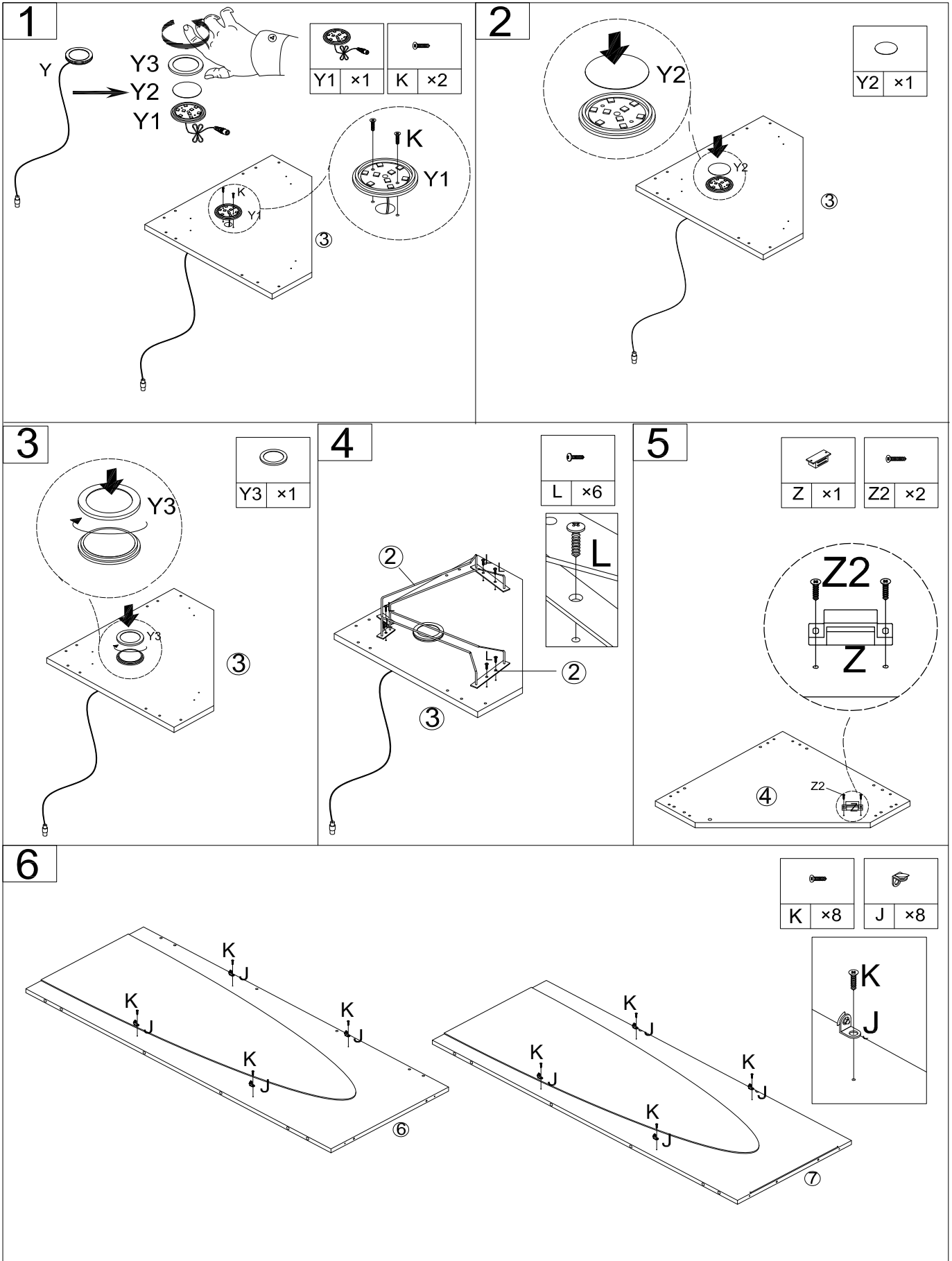
3 Press parts together so CAM BOLT inserts into edge hole.



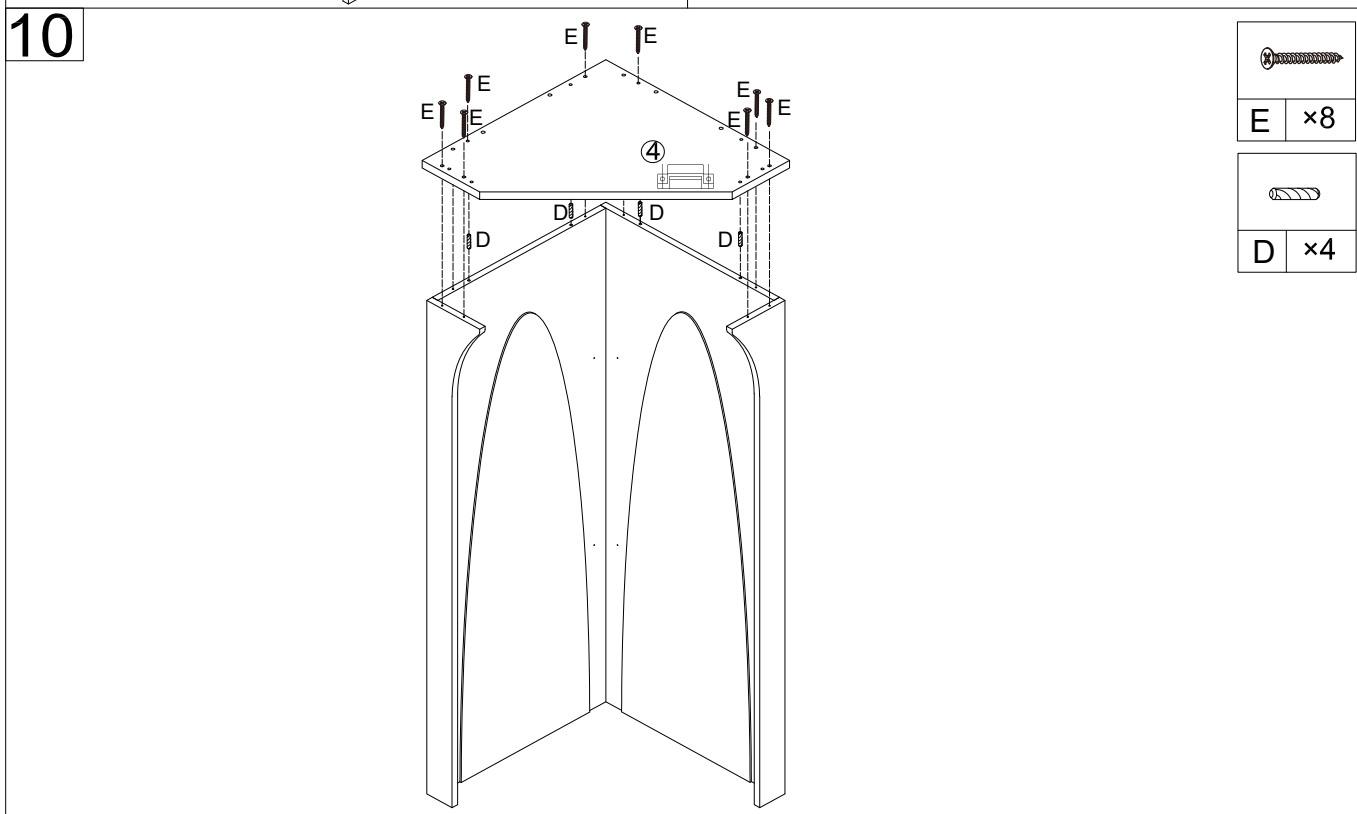
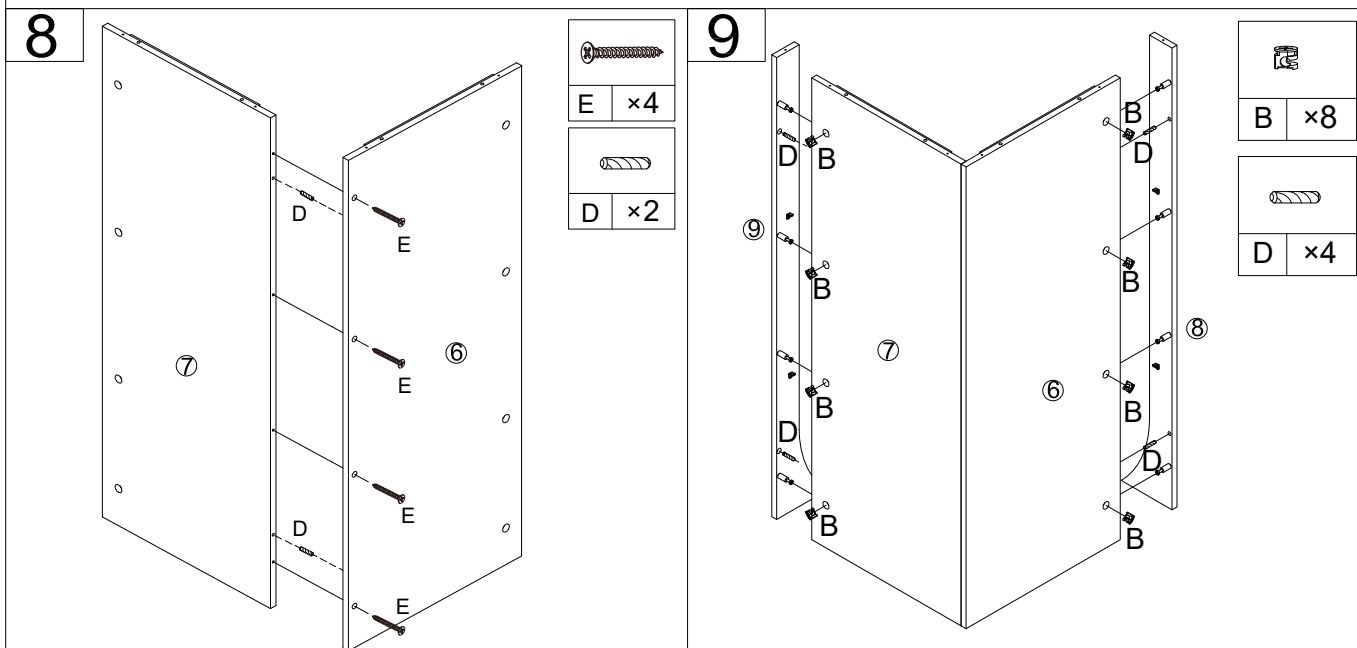
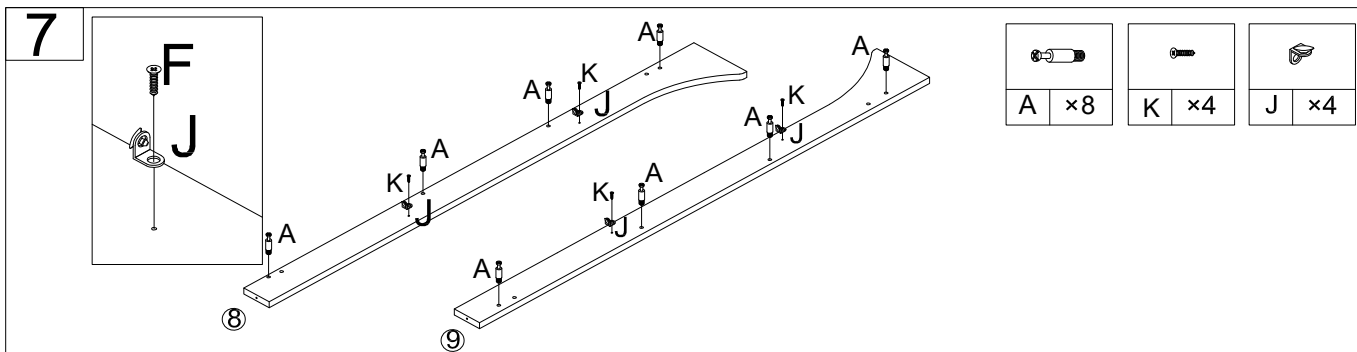
4 Using a screwdriver, turn the CAM LOCK clockwise to lock the CAM LOCK and CAM BOLT into their holes and fastening parts together.



INSTALLATION STEPS

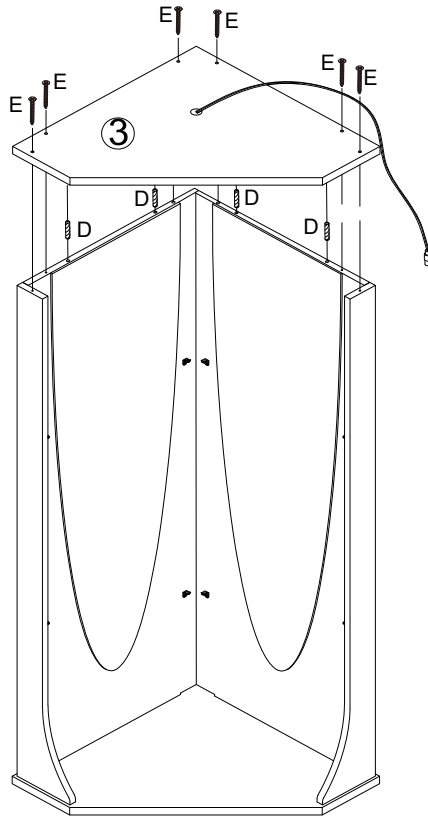



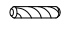
INSTALLATION STEPS



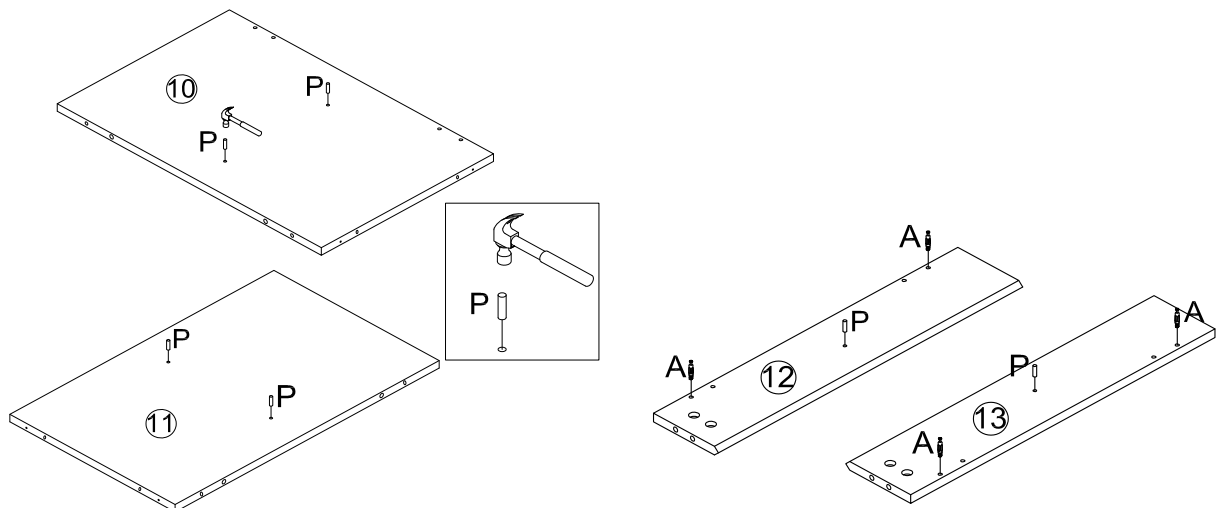
INSTALLATION STEPS



11



	
E	×6
	
D	×4

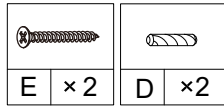
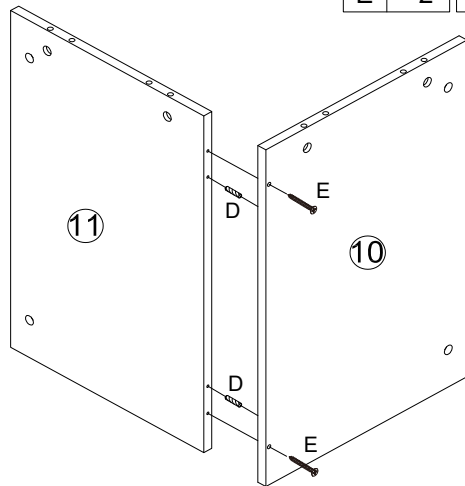
12



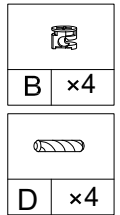
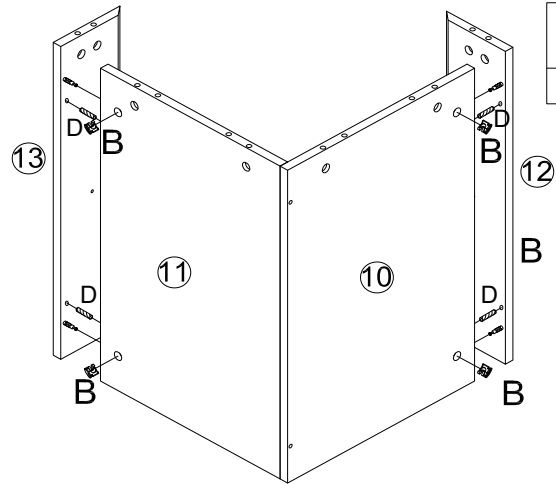
			
A	×4	P	×6

INSTALLATION STEPS

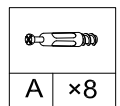
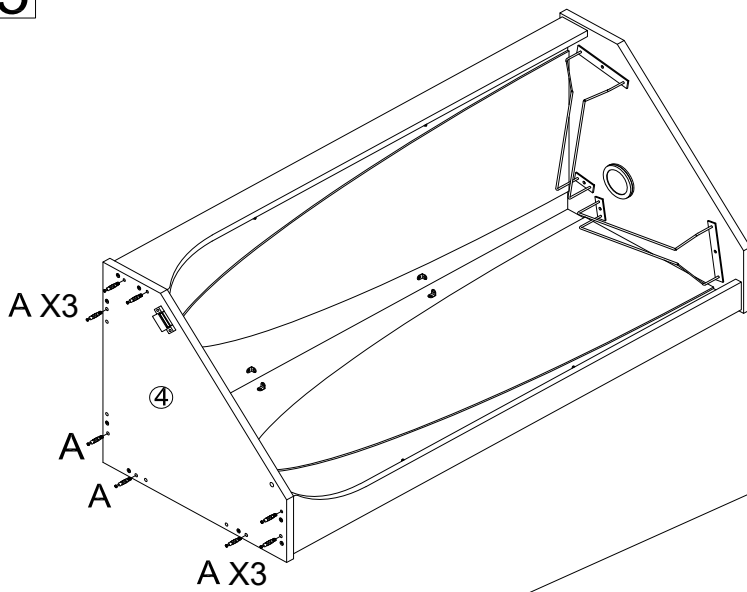
13



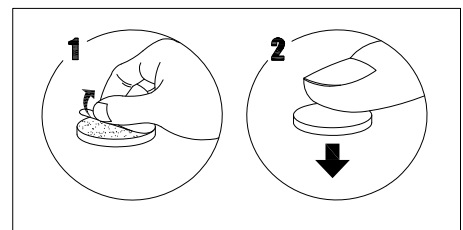
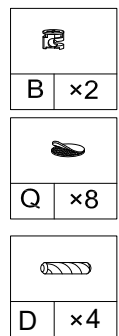
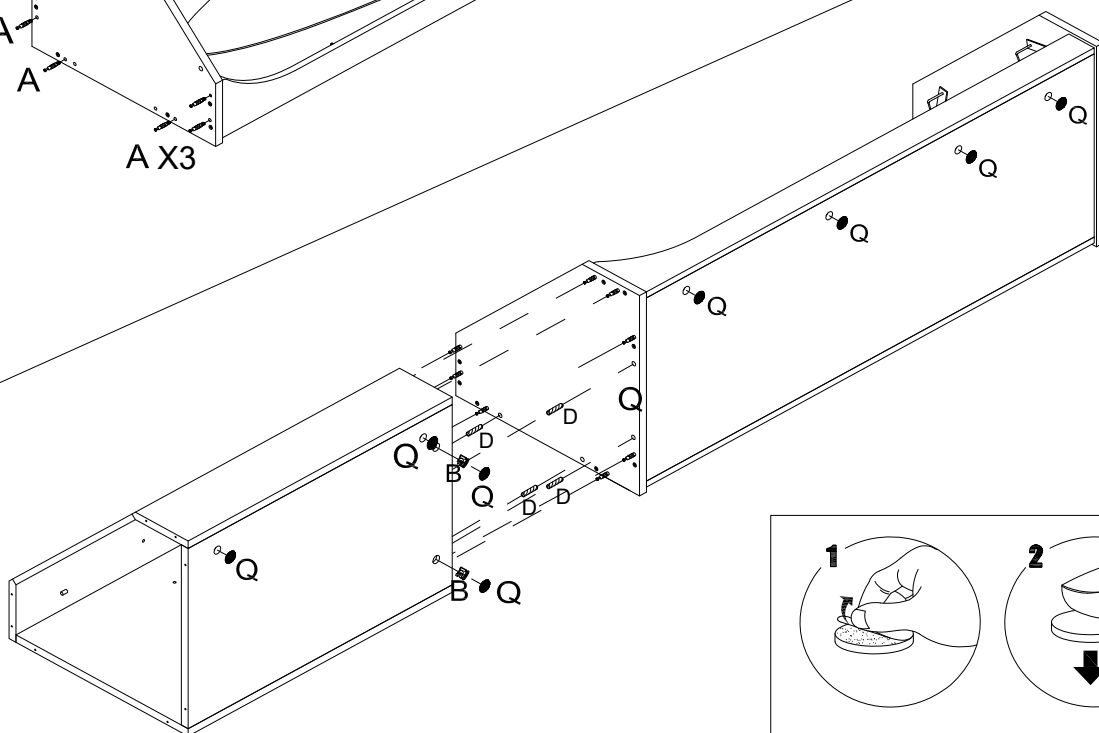
14



15





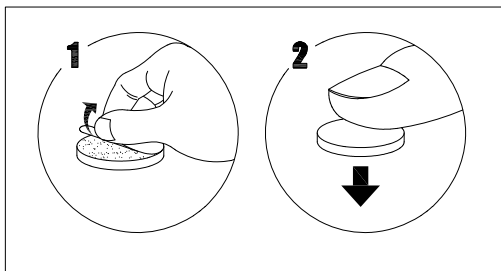
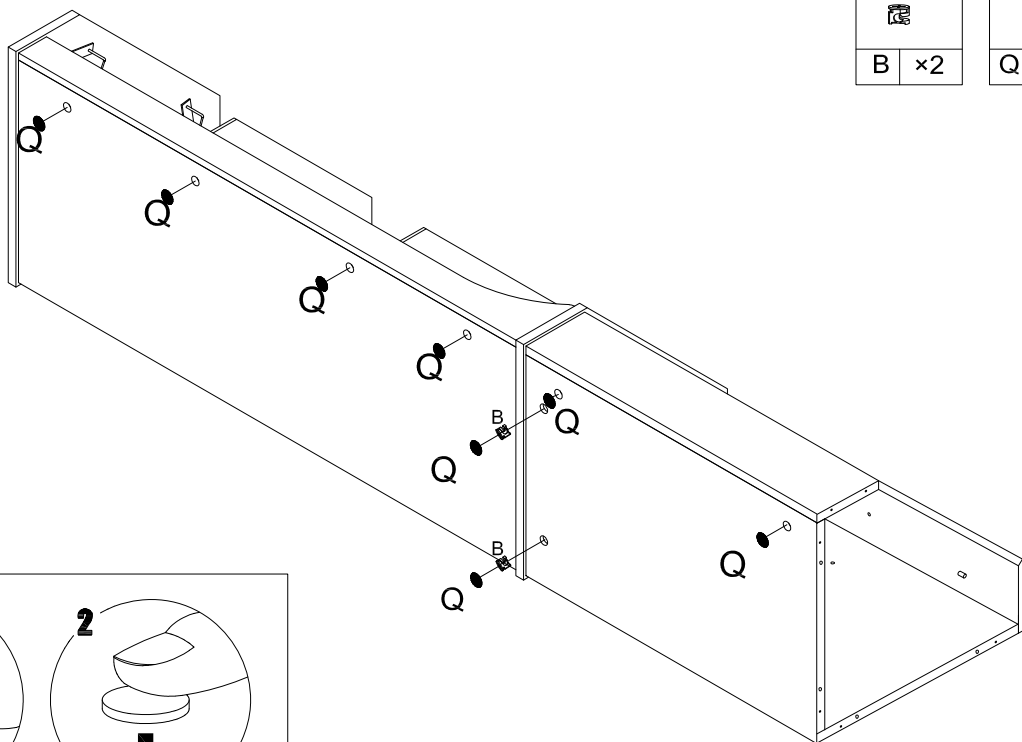
16







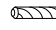
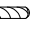
INSTALLATION STEPS

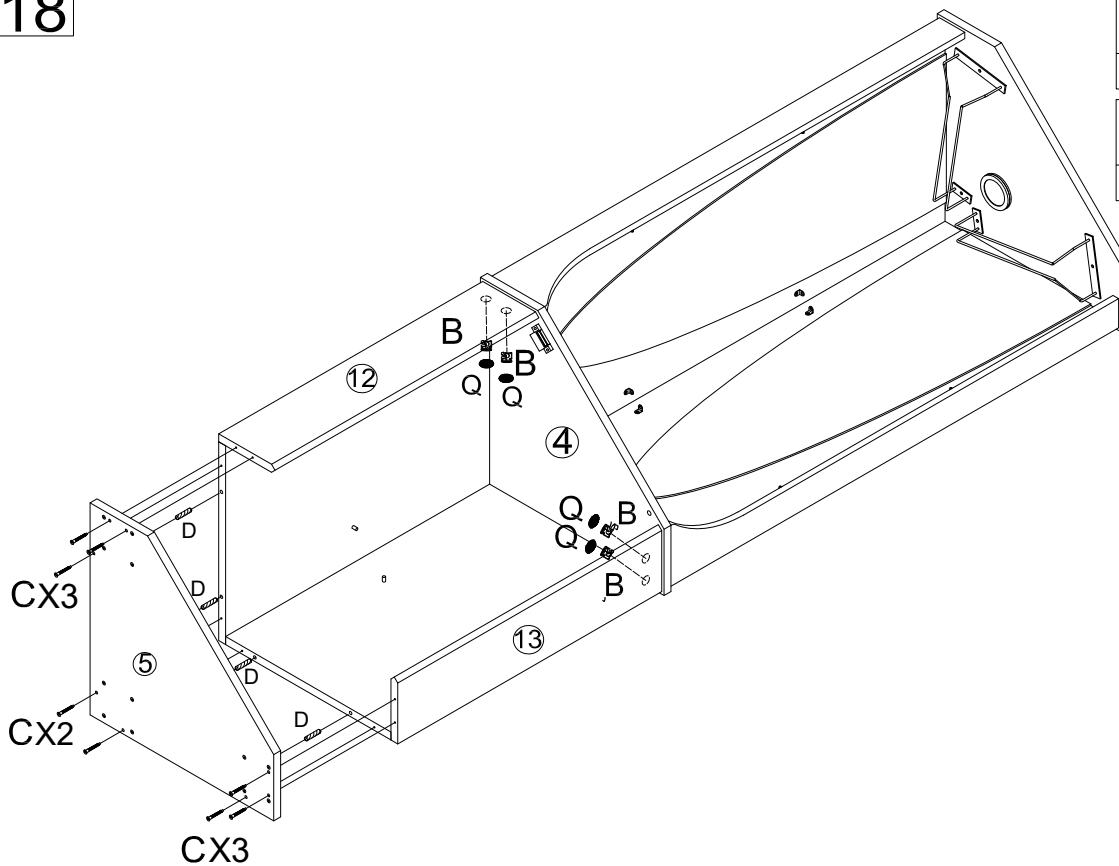
17

	
B x2	Q x8



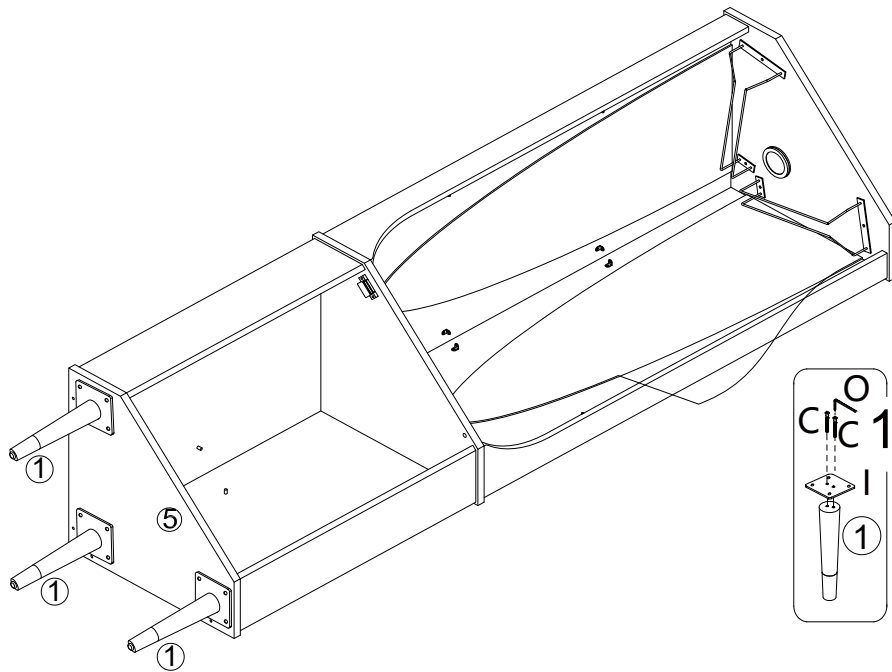
18

	
B x4	C x8
	
O x1	Q x4
	
D x4	

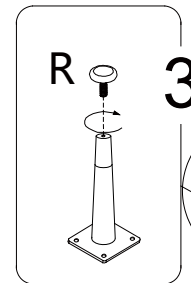
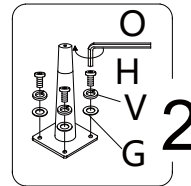
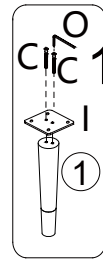


INSTALLATION STEPS

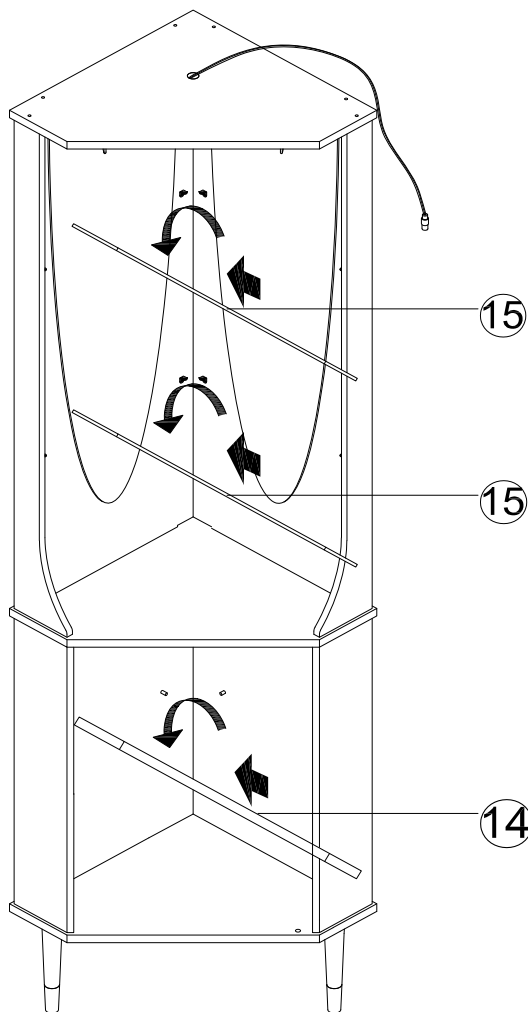
19



C x6	G x12	H x12
I x3	V x12	R x3



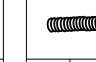


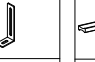
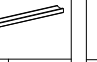


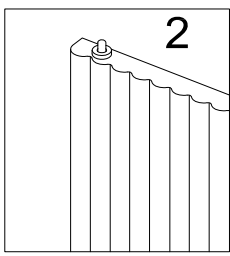
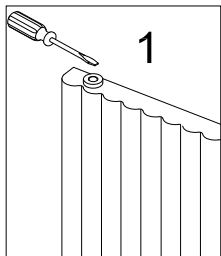
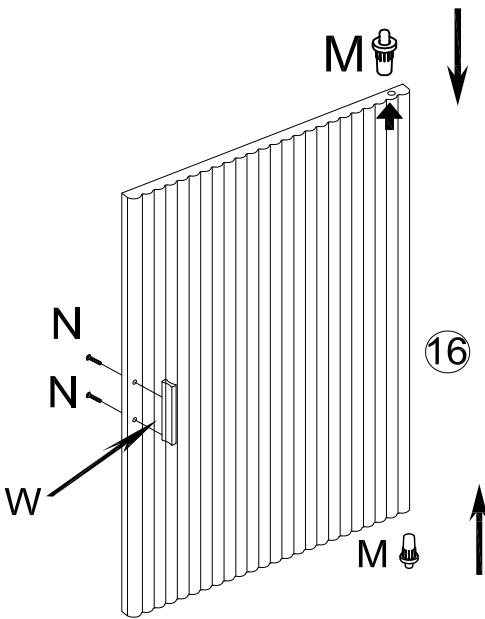
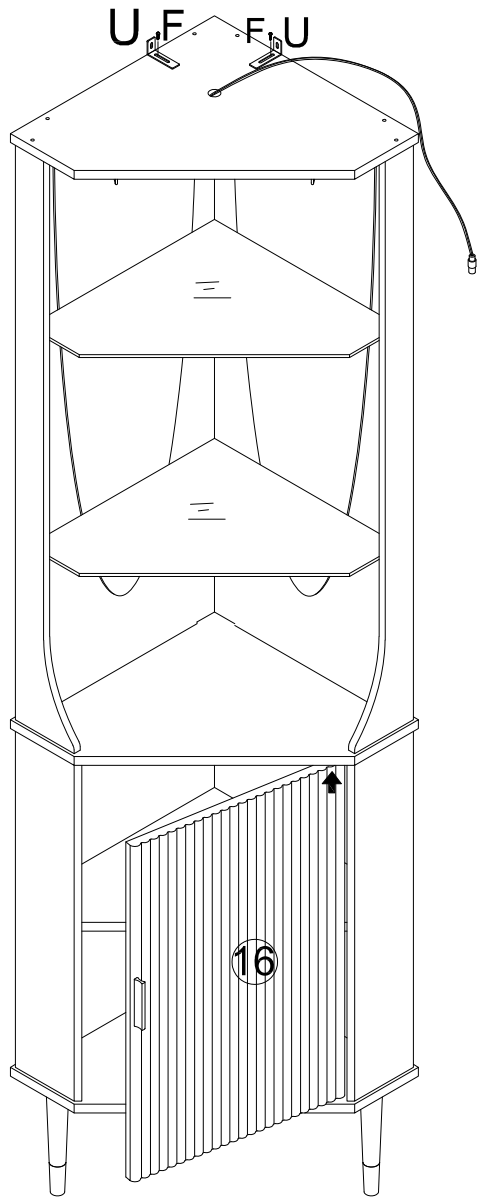
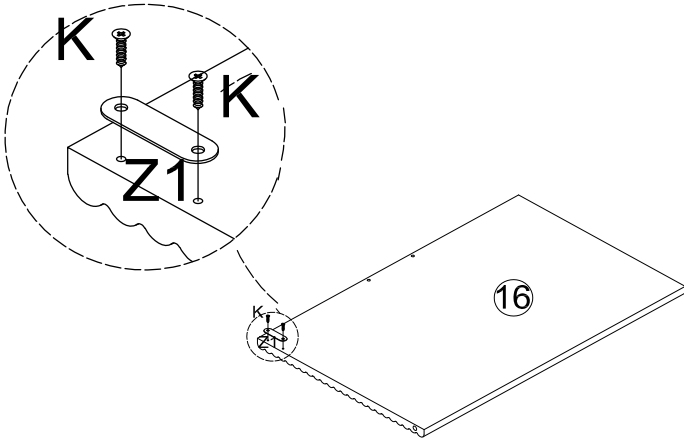
20



INSTALLATION STEPS

21


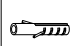

						
F x2	K x2	N x2	M x2	U x2	W x1	Z1 x1



INSTALLATION STEPS

22

Tips: This step is to install the anti-tipping device system, which requires drilling holes in the wall.

		
S x2	T x2	X x1

