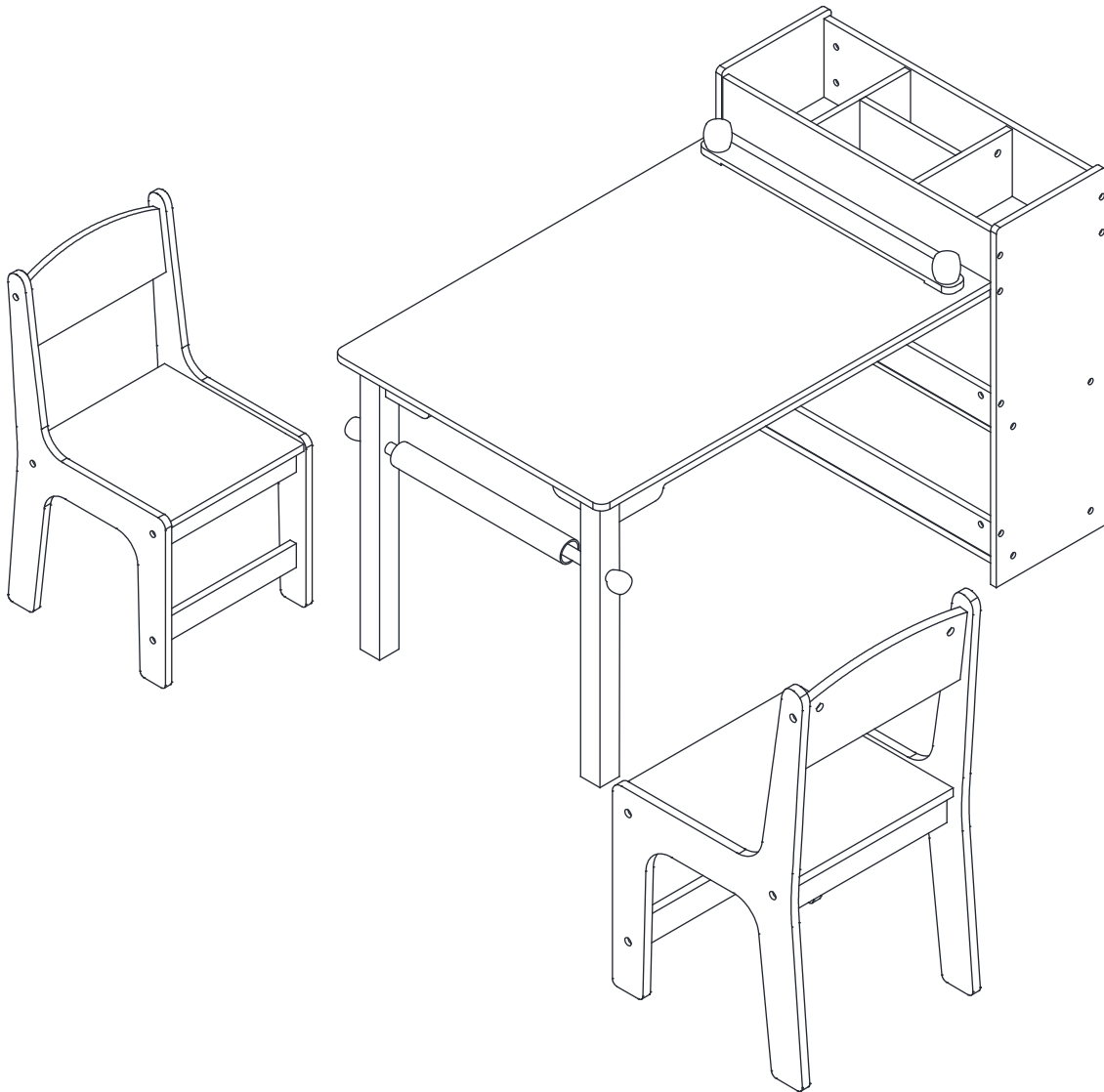


# Children Table and Chairs

SKU WHCF2158



## ASSEMBLY INSTRUCTIONS



**60** min. assembly  
**2** person

\*The estimated assembly time may vary depending on the individual.

# Hey, there

Now is assembly time!

Deeeeeeep breathe.... and again....  
Tools ready,  
Easy peasy!

## Estimated



**60** min. assembly  
**2** person

## Tools Required

- Screwdriver (not included)

important: Cautious when you use power tools

## Need Help?

Call us at +1 909 548 6688  
Email [customerservice@luxenhome.com](mailto:customerservice@luxenhome.com)  
Submit a ticket on [www.luxenhome.com/help](http://www.luxenhome.com/help)

Thank you for purchasing this LuxenHome product. This product has been manufactured with the highest standards of safety and quality.

**PLEASE READ ALL INSTRUCTIONS CAREFULLY BEFORE ASSEMBLY.**

Unpack all parts from the packaging inside the carton to ensure there are no missing or damaged parts. Lay out all the parts on a clean, flat, and soft surface to prevent scratches. Refer to the steps provided as assembling guide.

Do not attempt to assemble or use the product if any parts are missing or damaged.

## REMINDERS

### SAFE USAGE IS KEY

Your well-being is our top priority when you use our product. Please prioritize your safety by diligently following the assembly guidelines and inspecting the product carefully both when it arrives and before each use.

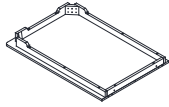
Please be aware that LuxenHome and Winsome House, Inc. cannot be held liable for any injuries or fatalities that occur due to not adhering to the provided instructions or misuse of the product.

### DO NOT MODIFY

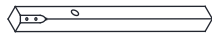
Our products undergo rigorous testing to ensure they meet established safety standards before being released for sale. Altering the product in any way can lead to serious safety concerns, for which LuxenHome cannot assume responsibility.

# What's in the box

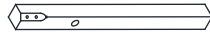
## Parts



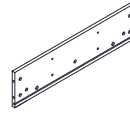
1 X1  
Table top



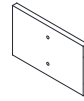
2 X1  
Table Leg



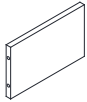
3 X1  
Table Leg



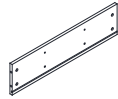
4 X1  
Shelf left panel



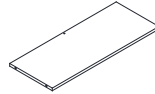
5 X2  
Dividers



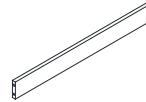
6 X1  
Dividers



7 X1  
Shelf right panel



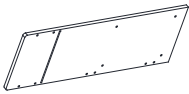
8 X2  
shelf panel



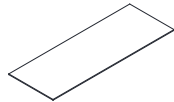
9 X2  
slat



10 X1  
Front panel



11 X1  
Back panel



12 X1  
Shelf base panel



13 X1  
Slat



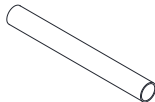
14 X1  
Rod



15 X2  
Ball



16 X2  
Ball



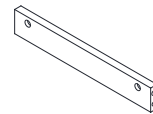
17 X1  
paper roll



18 X2  
Chair left panel



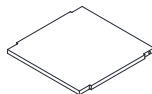
19 X2  
Chair right panel



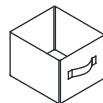
20 X6  
Seat support slat



21 X2  
Chair back

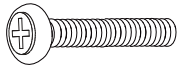


22 X2  
Chair seat

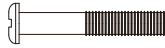


23 X3  
Fabric bin

# Hardware & Accessory



**A** X4  
M6\*45mm



**B** X39+4  
M6\*40mm



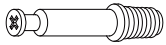
**C** X39+4  
M10\*10mm



**D** X4  
M16/6.5mm



**E** X4  
M9.5/6mm



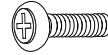
**F** X4  
M6\*38mm



**G** X4  
M12\*10mm



**H** X34+4  
M6\*25mm



**I** X2  
M6\*20mm

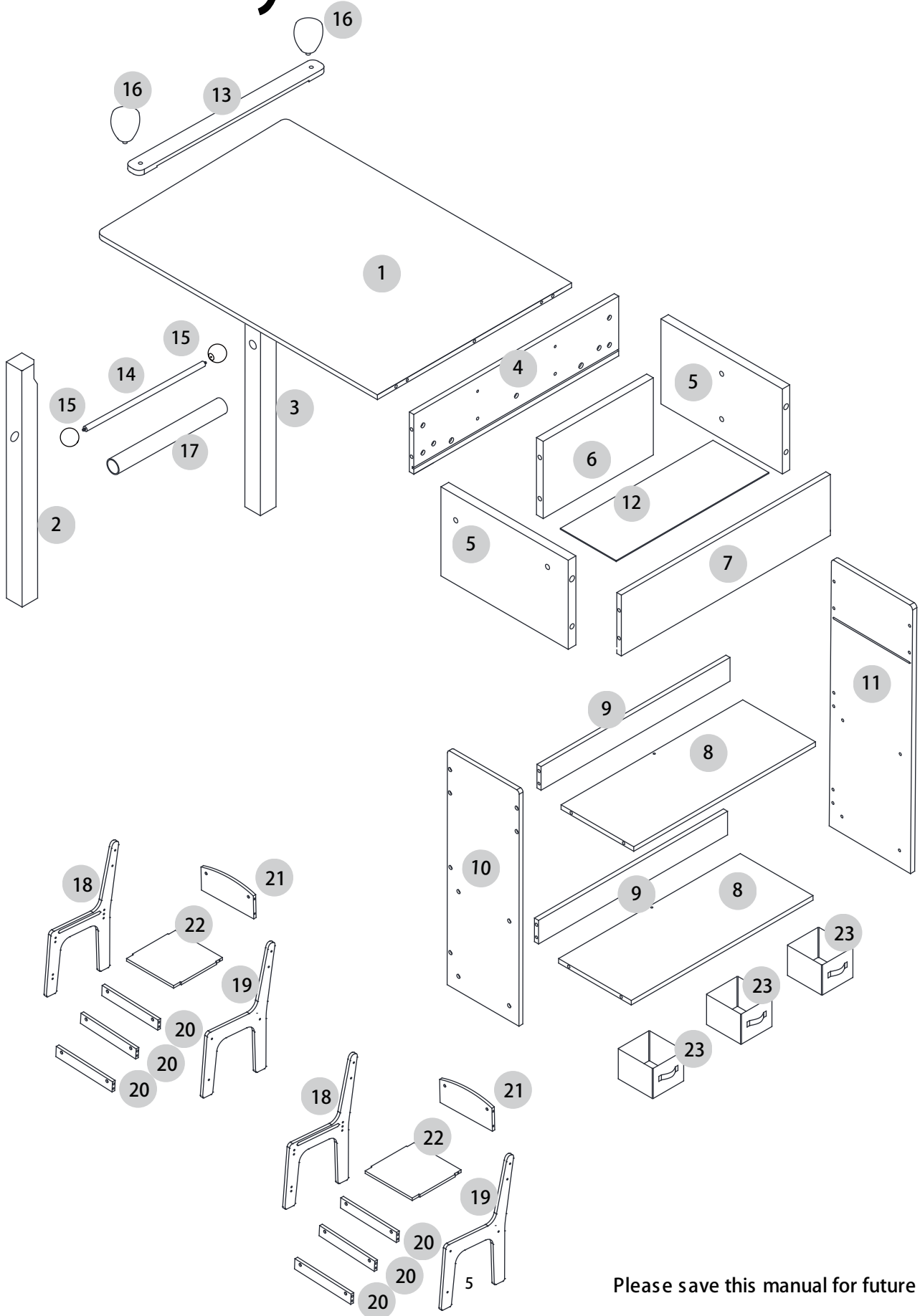


**J** X2  
M4\*30mm



**K** X16+2  
M4\*30mm

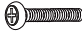


# Assembly

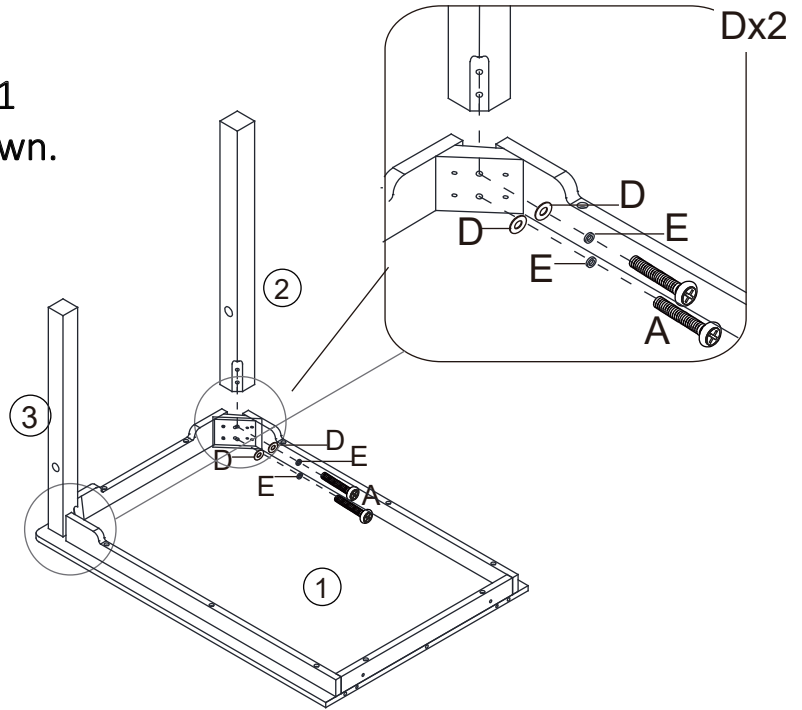


Please save this manual for future reference.

# Step 1

Connect panel 2&3 to panel 1 using hardware A,D&E as shown.




<b>A</b> X4	<b>D</b> X4	<b>E</b> X4
		
M6*45mm	M16/6.5mm	M9.5/6mm

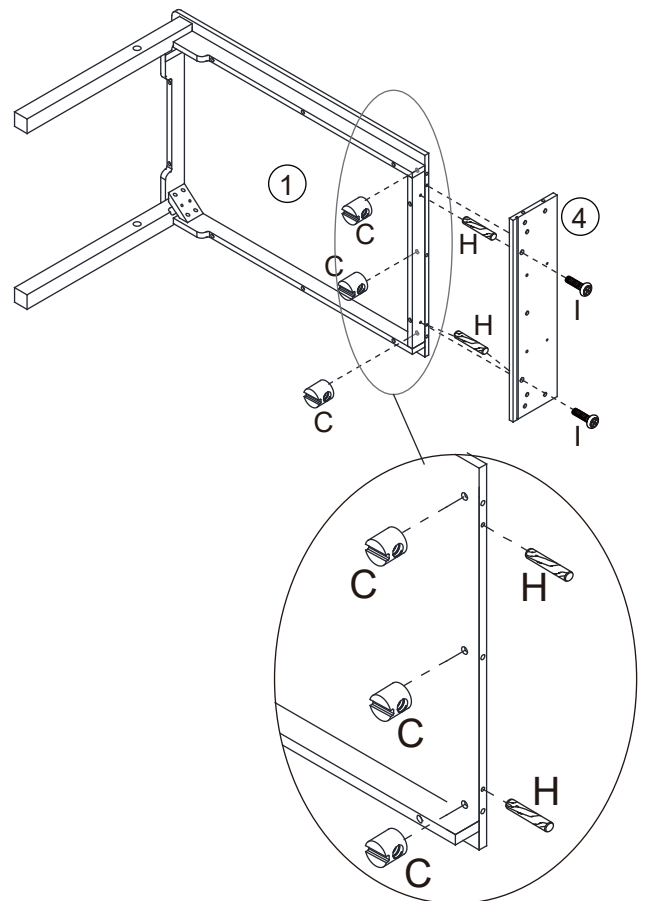


# Step 2

Insert hardware H&C into holes on panel 1 as shown.

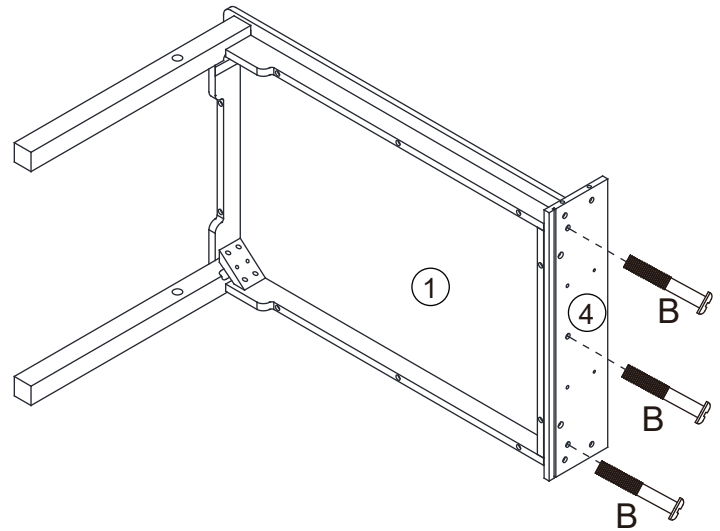
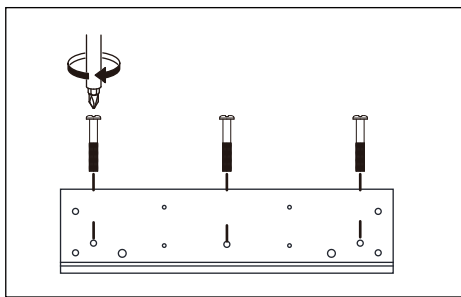
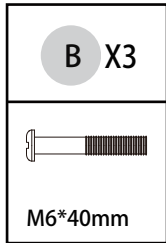
Connect panel 4 to panel 1 with hardware I as shown.

<b>C</b> X3	<b>H</b> X2	<b>I</b> X2
		
M10*10mm	M6*25mm	M6*20mm



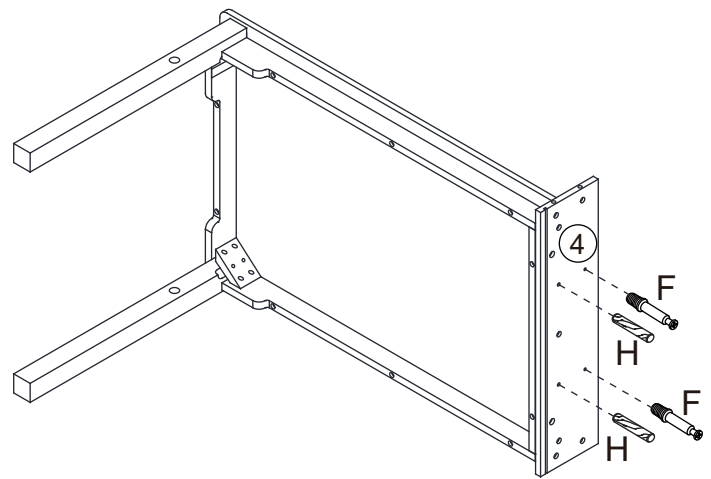
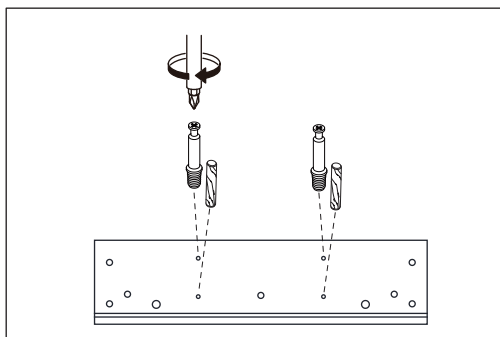
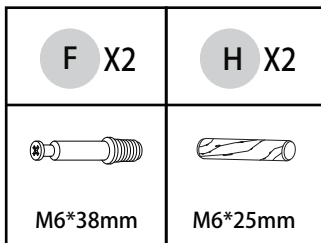
# Step 3

Fix panel 4 to panel 1 with hardware B as shown.



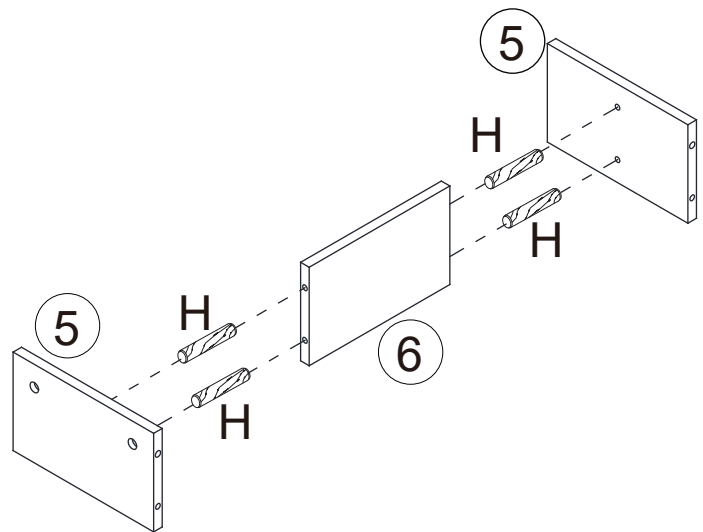
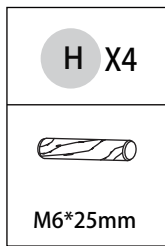
# Step 4

Screw hardware F and insert hardware H on panel 4 as shown.



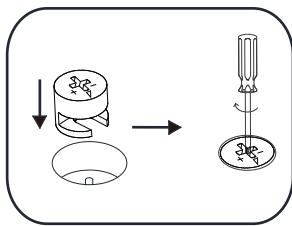
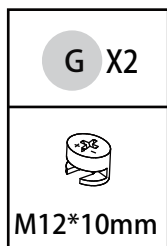
# Step 5

Connect the panel 5 to the panel 6 with the hardware H.

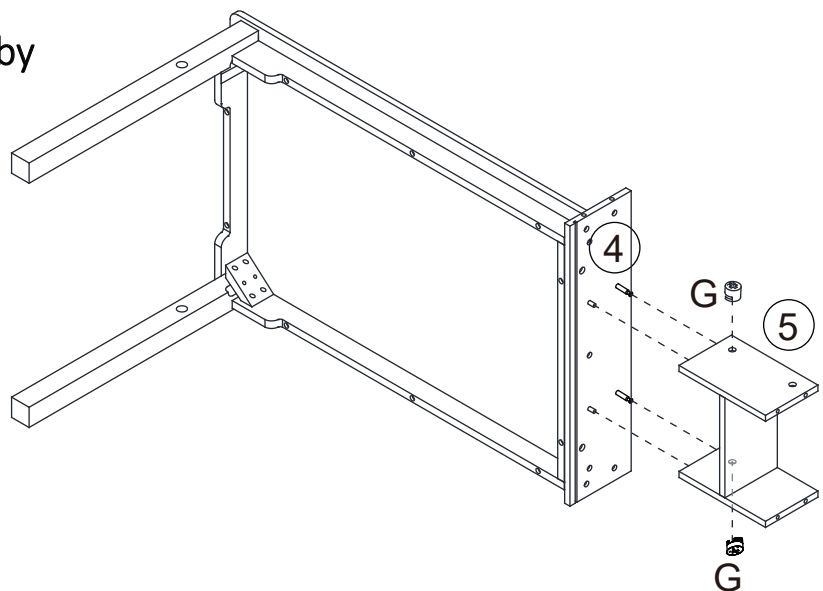


# Step 6

Insert hardware G on panel 5.  
Connect panel 5&6 to panel 4 by  
tighten hardware G as shown

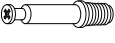




**!! Notice!!**  
Now tighten the fixings  
to secure the panels.

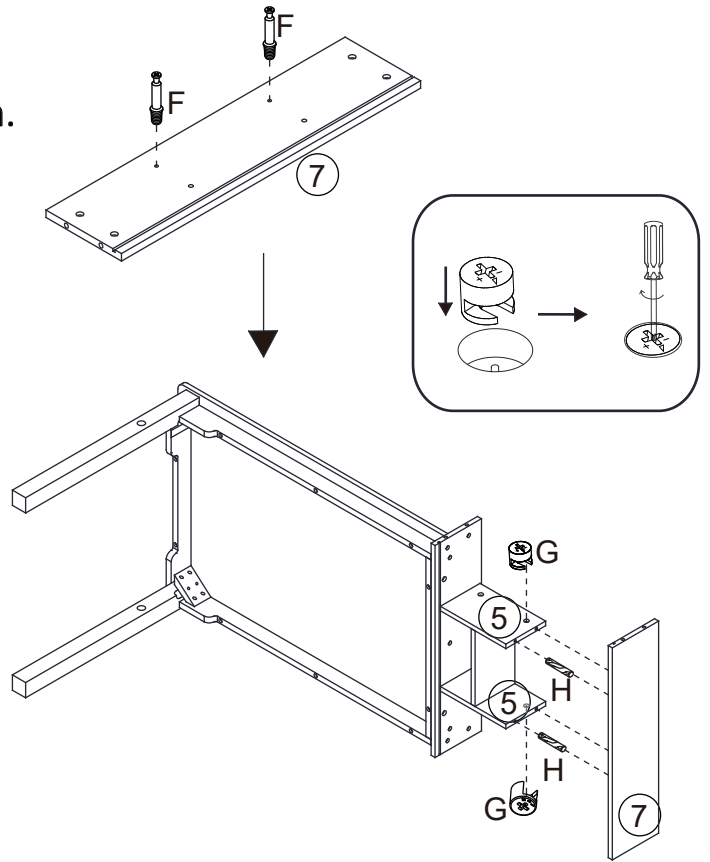


# Step 7

Screw hardware F on panel 7.  
Insert hardware G on panel 5 as shown.  
Connect panel 7 to panel 5 by tightening hardware G.


<b>F</b> X2	<b>G</b> X2	<b>H</b> X2
		
M6*38mm	M12*10mm	M6*25mm

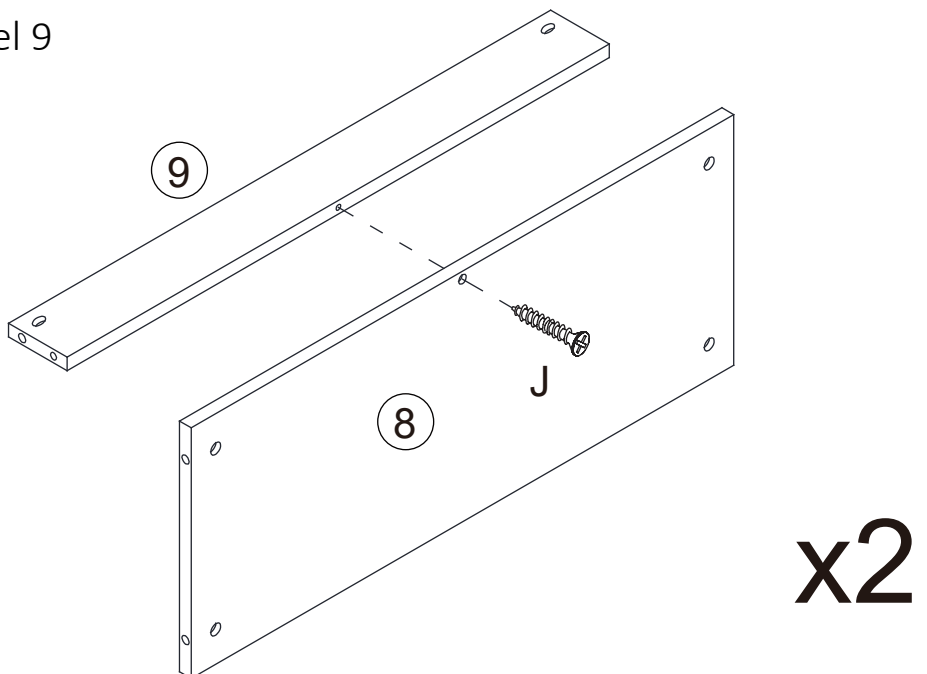
**!! Notice!!**  
Now tighten the fixings  
to secure the panels.



# Step 8




Connect the panel 8 and panel 9  
with hardware J.

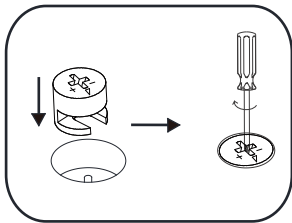
<b>J</b> X2

M4*30mm



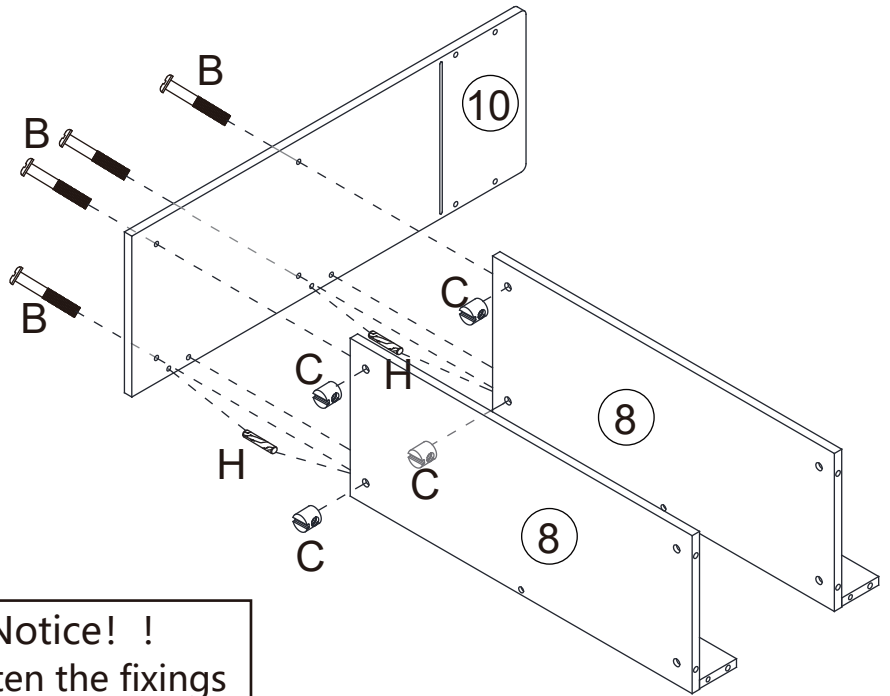
# Step 9

Insert hardware C&H on panel 8 as shown.  
Connect panel 8 to panel 10 with hardware B.

<b>B</b> X4	<b>C</b> X4	<b>H</b> X2
		
M6*40mm	M10*10mm	M6*25mm

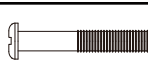



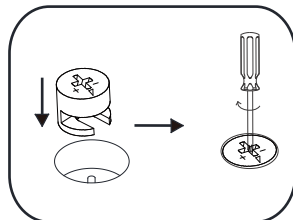
**!! Notice!!**  
Now tighten the fixings to secure the panels.



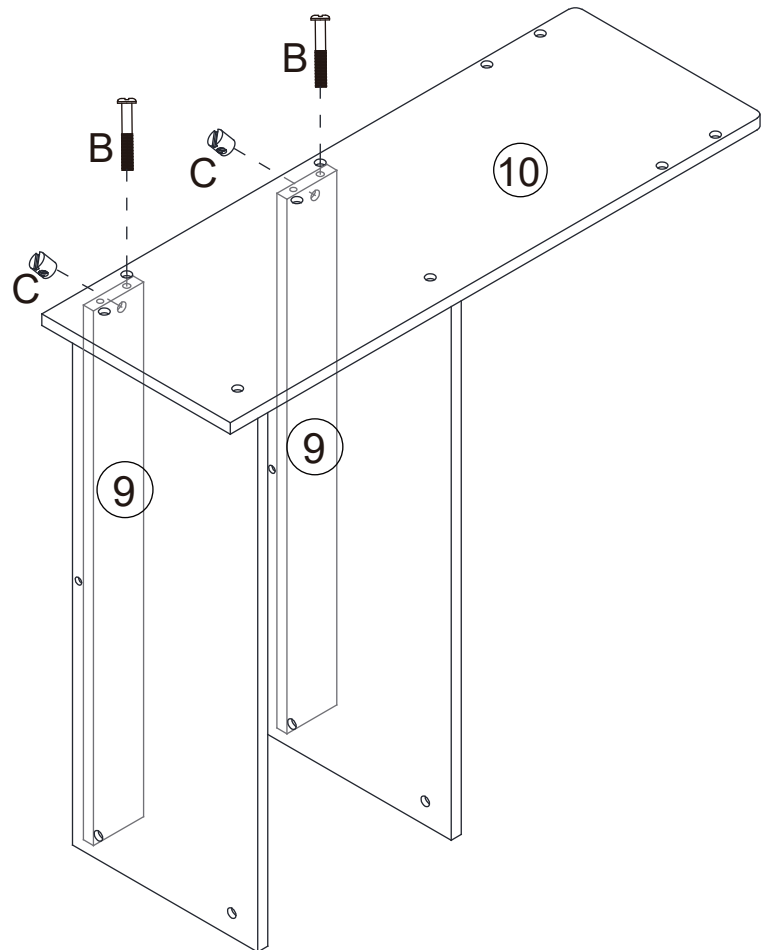
# Step 10

Insert hardware C on panel 9 and fix panel 10 to panel 9 with hardware B.

<b>B</b> X2	<b>C</b> X2
	
M6*40mm	M10*10mm





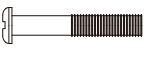

**!! Notice!!**  
Now tighten the fixings to secure the panels.

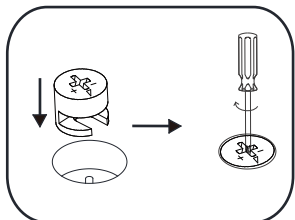


# Step 11

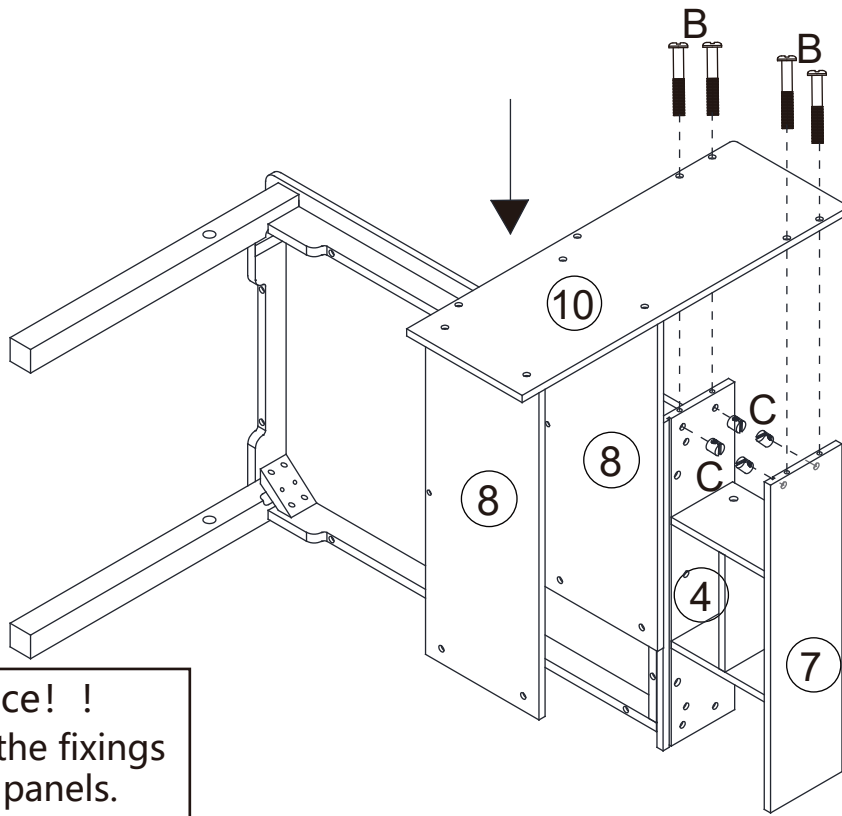
Inert hardware C on panel 4 and 7 as shown.

Fix panel 10 to panel 4&7 as shown.

 B X4	 C X4
 M6*40mm	 M10*10mm

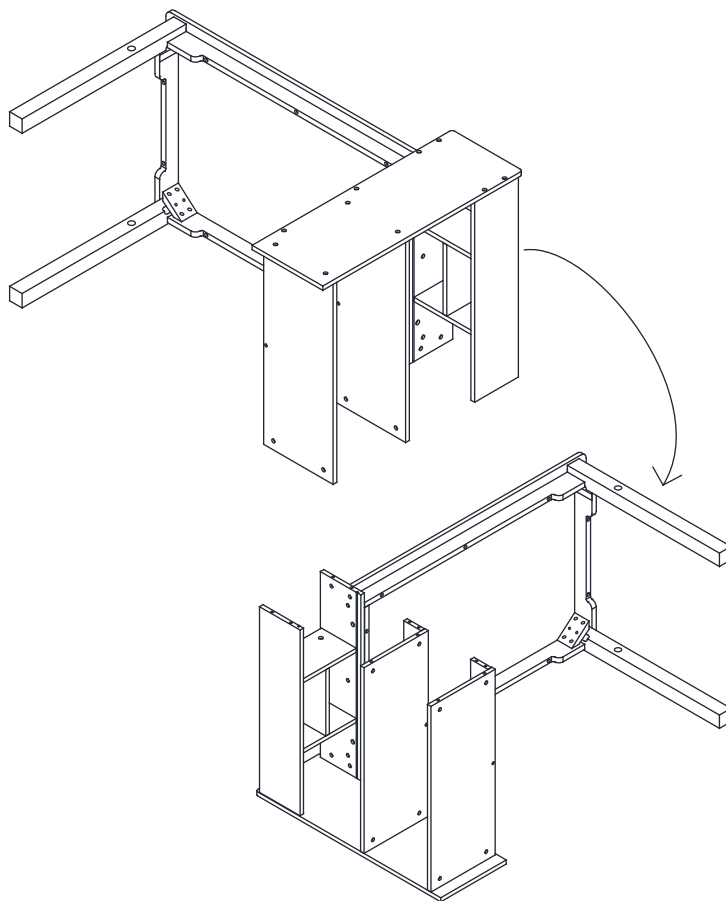


**!! Notice!!**  
Now tighten the fixings to secure the panels.



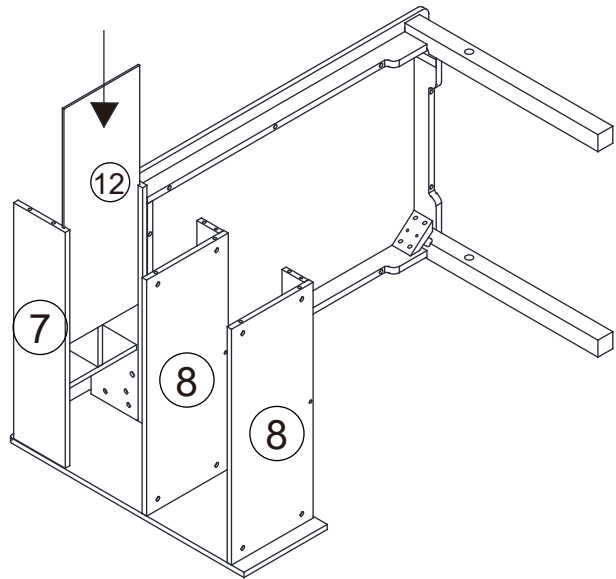
# Step 12

Flip the table.



# Step 13

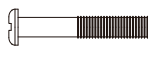


Insert the panel 12 into the drawing slot as shown.

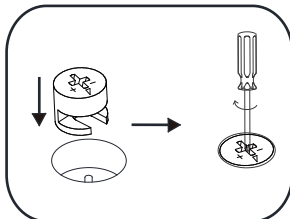


# Step 14

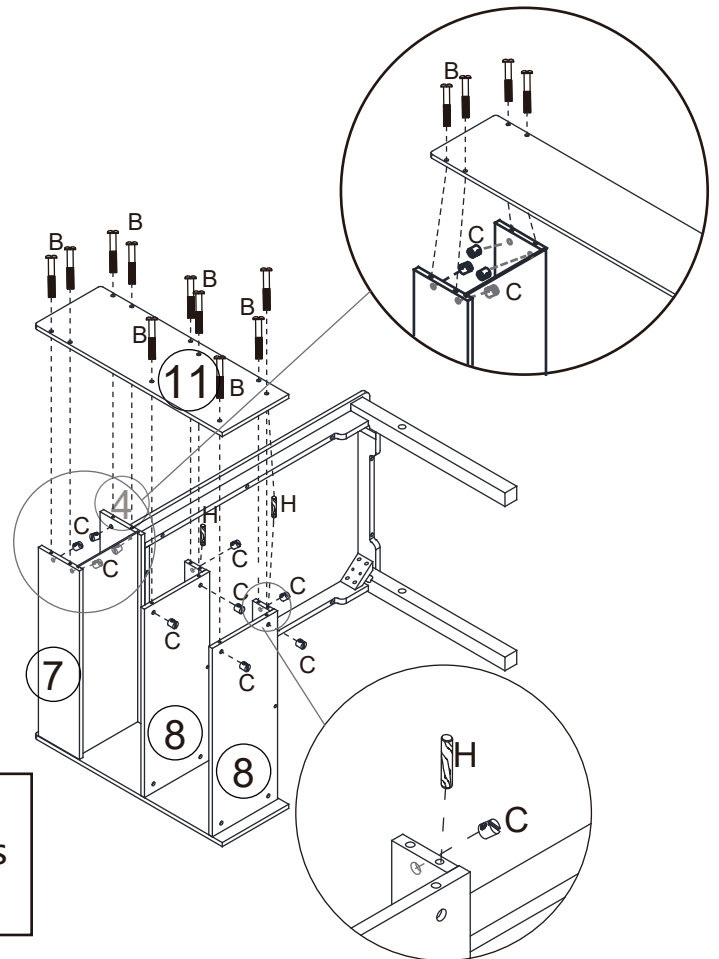
Insert hardware H & C on panel 7 & 8 as shown.

Connect panel 11 to panel 7 & 8 with hardware B as shown.

<b>B</b> X10	<b>C</b> X10	<b>H</b> X2
		
M6*40mm	M10*10mm	M6*25mm

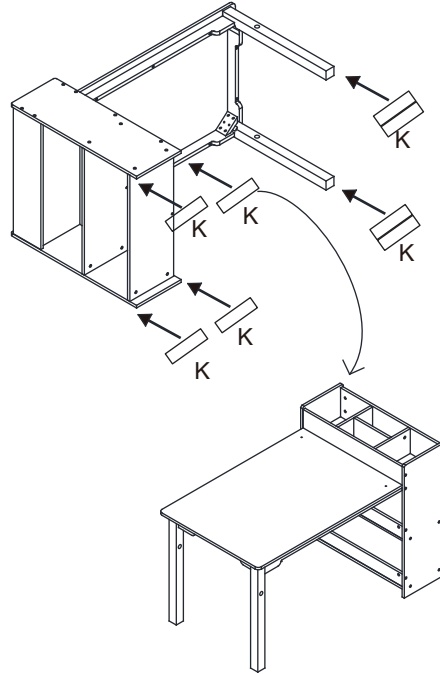
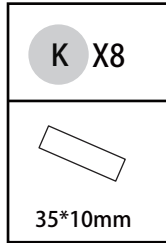


**!! Notice!!**  
Now tighten the fixings to secure the panels.



# Step 15

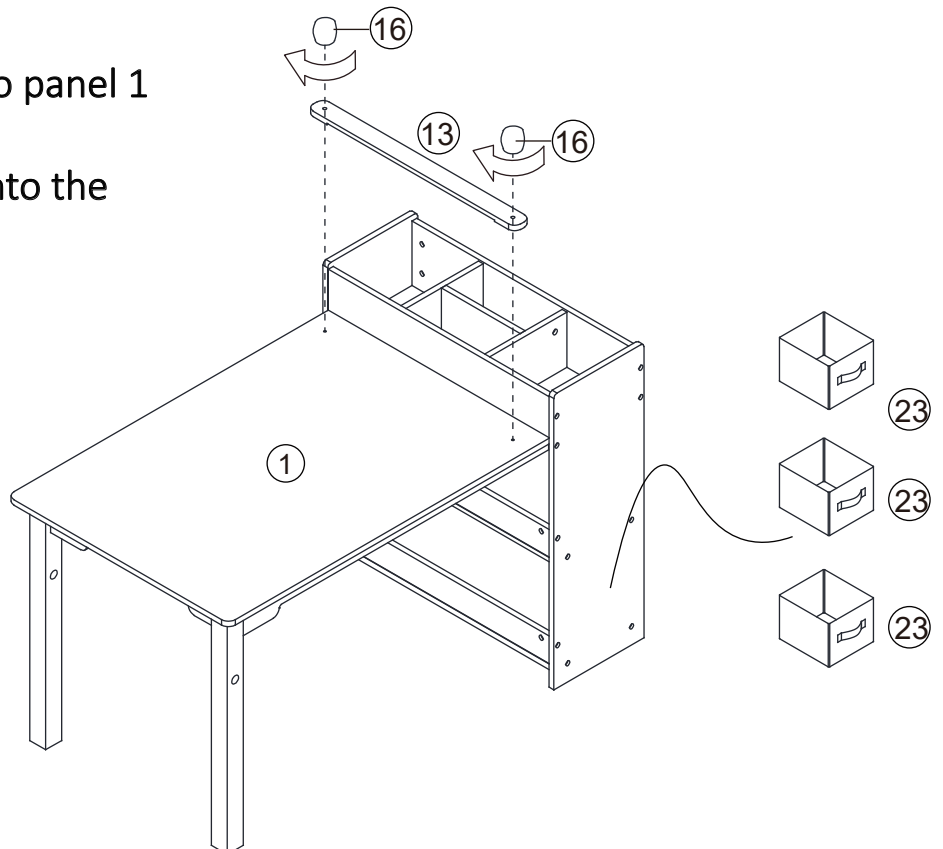
Flip the table and apply foot pads.



# Step 16

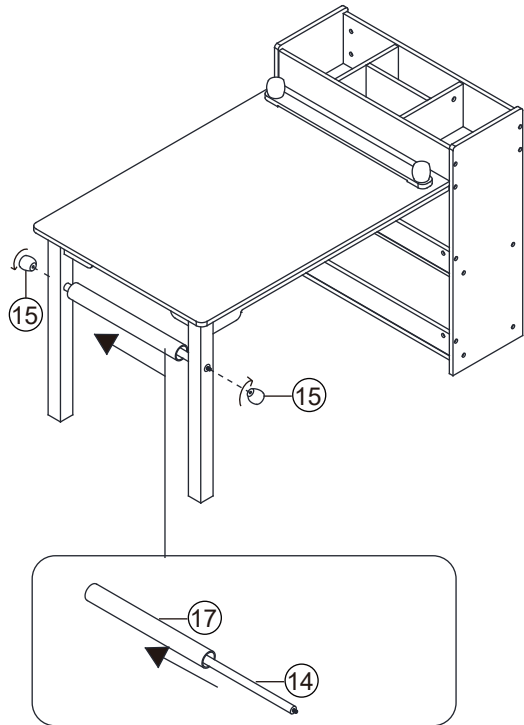
Assemble panel 13 & 16 to panel 1 as shown.

Unfold 23 and put them into the rack as shown.



# Step 17

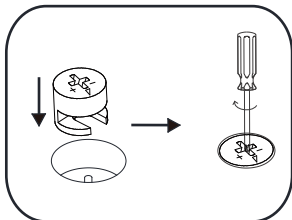
Put rod 14 through first leg and paper 17, then through the other leg. Fix the rod using ball 15 as shown.



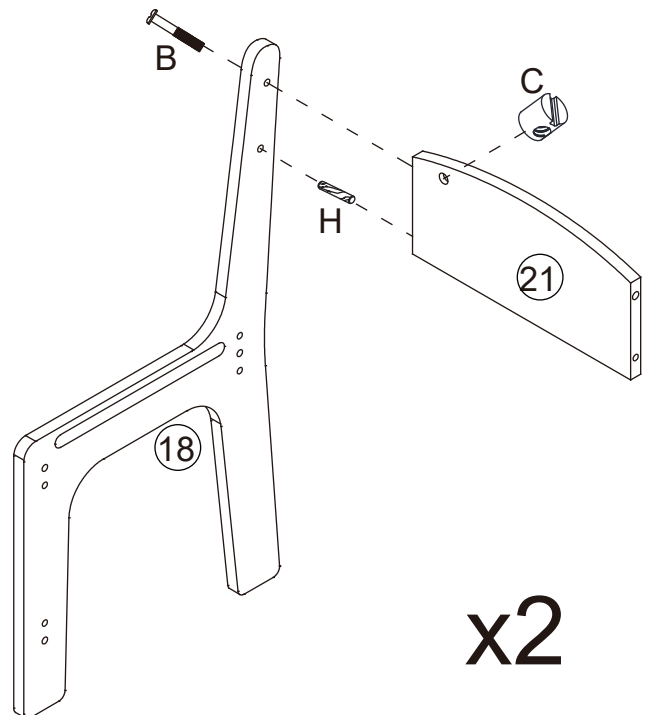
# Step 18

Step 19: Insert hardware H&C on panel 21. Connect panel 21 to panel 18 with hardware B.

<b>B</b> X2	<b>C</b> X2	<b>H</b> X2
M6*40mm	M10*10mm	M6*25mm

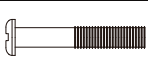




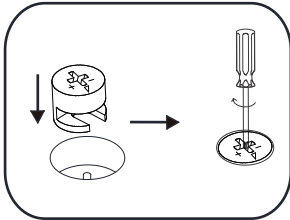
**!! Notice!!**  
Now tighten the fixings to secure the panels.



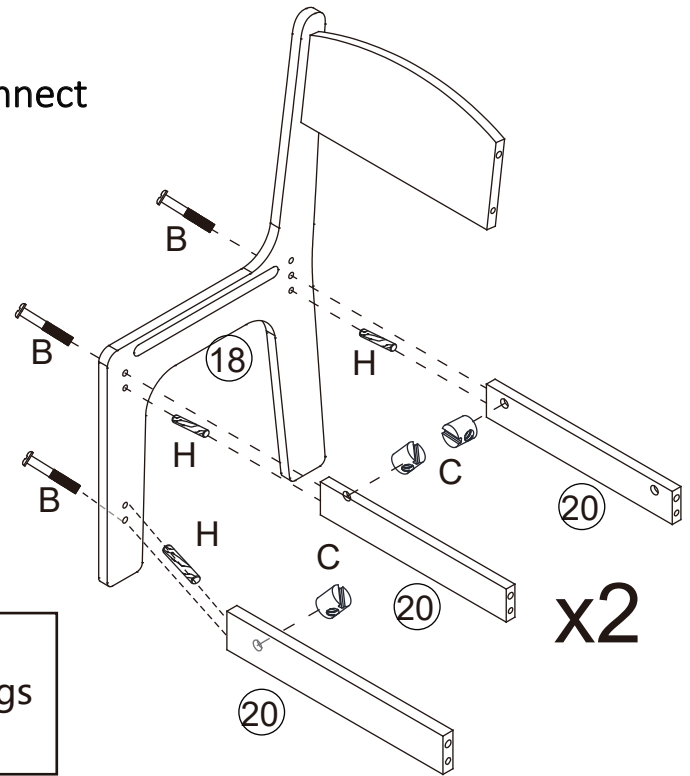
# Step 19

Insert hardware H&C on panel 20. Connect panel 20 to panel 18 with hardware B.

<b>B</b> X6	<b>C</b> X6	<b>H</b> X6
		
M6*40mm	M10*10mm	M6*25mm




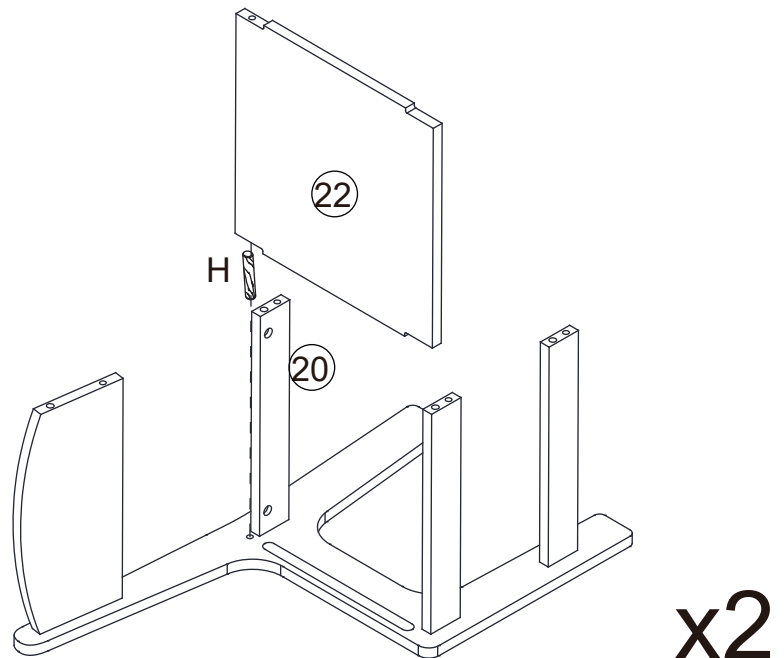
**!! Notice!!**  
Now tighten the fixings to secure the panels.



# Step 20

Connect panel 22 to panel 20 with hardware H.

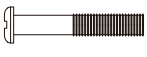


<b>H</b> X2

M6*25mm

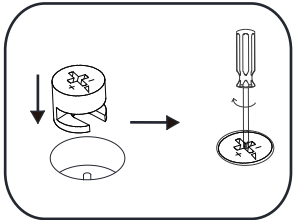


# Step 21

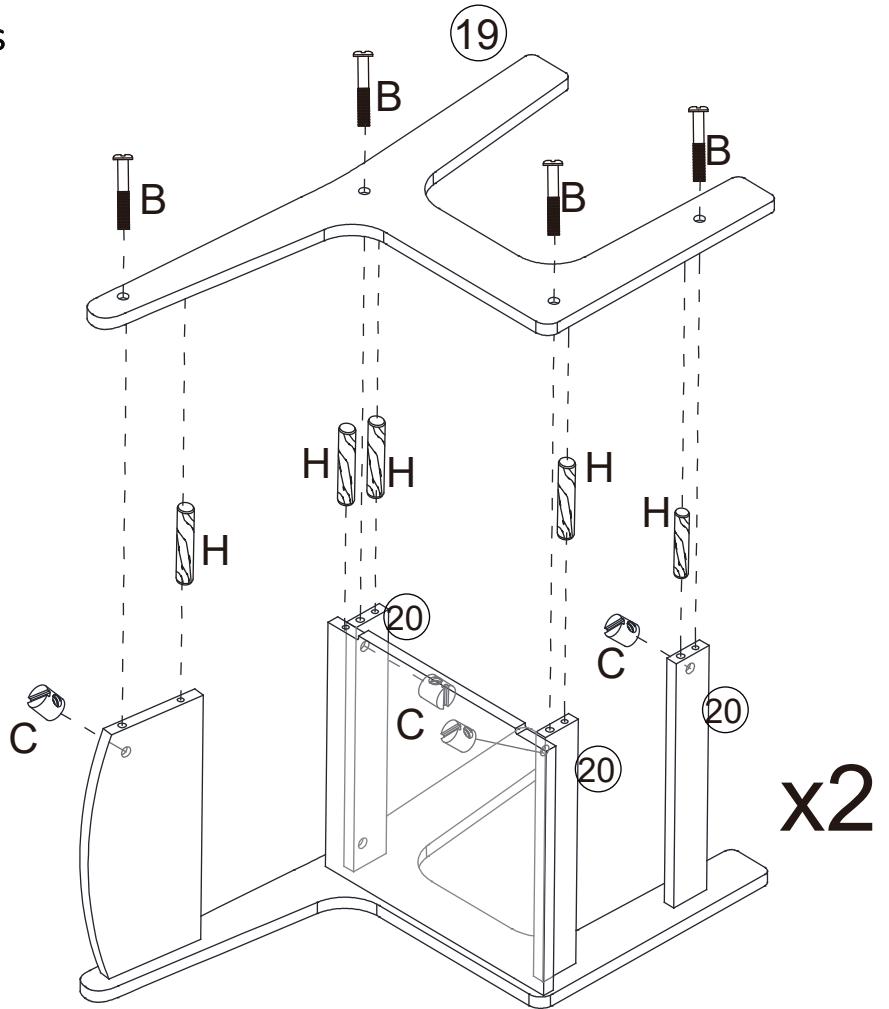
Insert hardware C&H on panel 20 as shown.

Connect panel 19 to panel 20 with hardware B.

<b>B</b> X8	<b>C</b> X8	<b>H</b> X10
		
M6*40mm	M10*10mm	M6*25mm




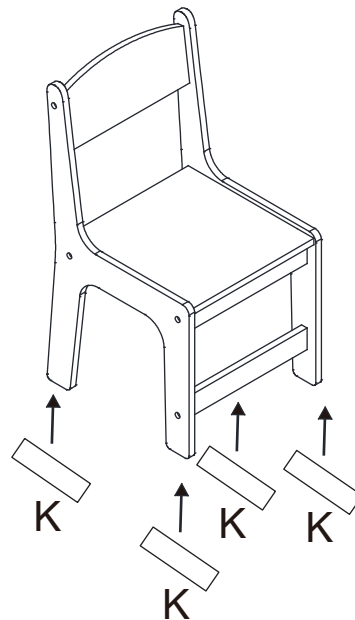
**!! Notice!!**  
Now tighten the fixings to secure the panels.



# Step 22

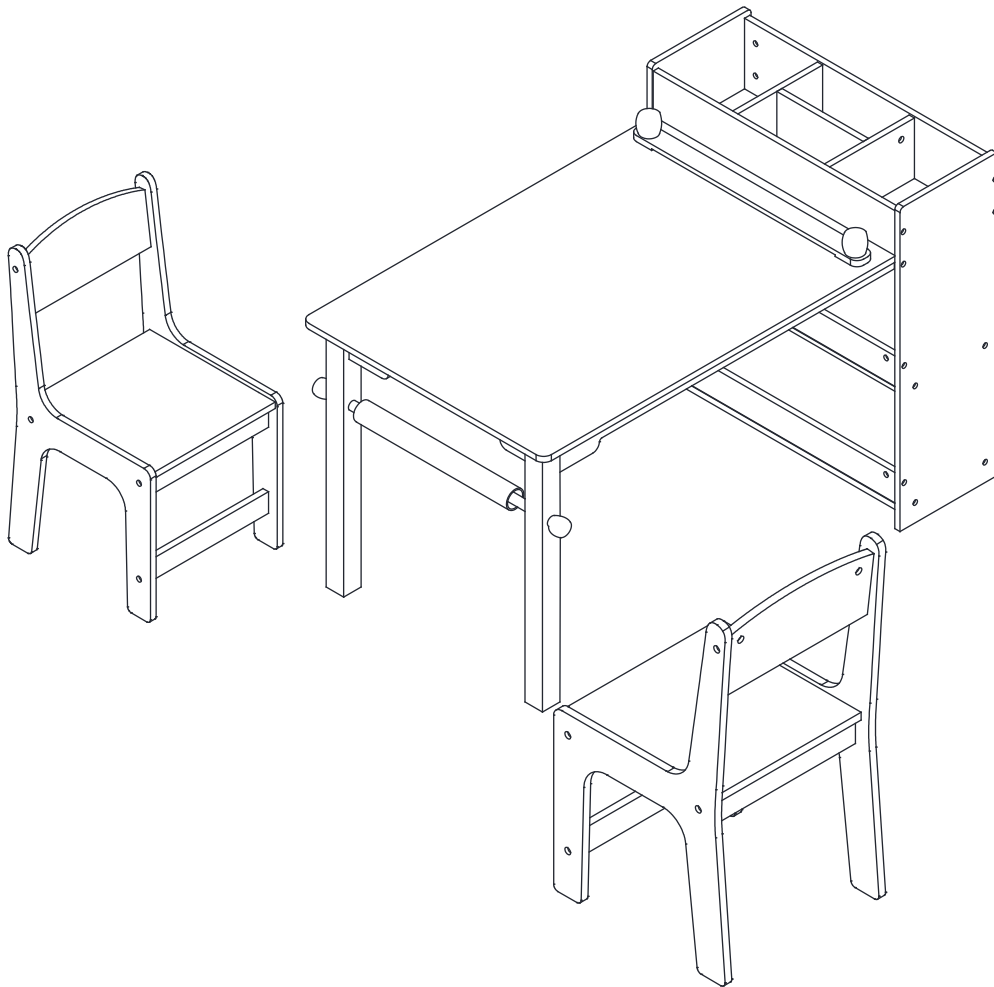
Apply foot pads.

<b>K</b> X8

35*10mm



# VOILA!

Now enjoy.



## Warning

Adults must assemble products before giving them to children. Products containing small parts, sharp edges, and sharp points should be kept away from children during the non-assembly stage. Do not stand on the furniture, as this may damage the product and cause serious bodily harm. It is recommended that the adult check the product periodically to ensure all parts are tight and secure.

# Something not right?

We are always here to help.

**We make mistakes like every human does.**

Though we always strive to provide the best possible products at competitive prices and the best service in the industry, it's not possible to completely eliminate mistakes. If you experience any dissatisfaction, feel free to contact us immediately. Our in-house customer care team will respond ASAP.



[customerservice@luxenhome.com](mailto:customerservice@luxenhome.com)  
Get response within 24 hrs



909.548.6688  
Mon-Fri 9am-5pm PST/PDT



[www.luxenhome.com/help](http://www.luxenhome.com/help)  
Submit a ticket on our website

## Things to do to expedite the process

- Have your order# ready
- Take photos/videos to help us better identify the issues
- DO NOT throw away the packaging

# Happy with our product?

## Leave us a review

It really help us as a small business

- Find the product you purchased on our website (tip: search by SKU) and leave us a review.
- Alternatively, you can always return to the marketplace where you purchased it and leave a review there.

## Share with others

Our customers look for REAL stuff



- Follow us on IG @ luxen.home
- Share your #liveluxen moments



Please save this manual  
for future reference.