

**ASSEMBLY INSTRUCTIONS
COASTER FINE FURNITURE**



Fine Furniture for every stage of life

900723
Grandfather Clock

ITEM:900723



Your clock is fitted with a Westminster Chiming movement. This has an automatic night silence function that silences the Chimes between 10.00 P.M. and 5.00 A.M.(last strike 9:00PM, first strike 6:00AM).
 Before the clock leaves the factory, the clock has been set at 5:55AM.
 Please make sure you have 2 x C and 3 x AA Alkaline batteries, as these are not included. You will also need a screwdriver.

ALKALINE BATTERIES REQUIRED

SIZE C	SIZE AA
2 PCS	3 PCS

ASSEMBLY TOOLS REQUIRED

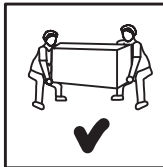
ASSEMBLY TIPS:

1. Remove hardware from box and sort by size.
2. Please check to see that all hardware and parts are present prior to start of assembly.
3. Please follow attached instructions in the same sequence as numbered to assure fast & easy assembly.

Warning!

1. Don't attempt to repair or modify parts that are broken or defective. Please contact the store immediately.
2. This product is for home use only and not intended for commercial establishments.

CAUTION: PRODUCT IS FRAGILE. TO AVOID BREAKAGE AND POSSIBLE INJURY HANDLE WITH CARE!



ASSEMBLY TIME PER UNIT: 20 MINUTES BY 2 PERSONS

PARTS IDENTIFICATION

	PART NAME	FIGURE	QTY		PART NAME	FIGURE	QTY
A	TOP UNIT		1PC	F	BASE UNIT		1PC
B	FRONT DOOR		1PC	G	TOP DECORATION		1PC
C	LEFT SIDE PANEL		1PC	H	PENDULUM		1PC
D	RIGHT SIDE PANEL		1PC	I	DECORATION WEIGHTS		2PCS
E	BACK PANEL		1PC	J	DECORATION CHAINS		4PCS

HARDWARE IDENTIFICATION

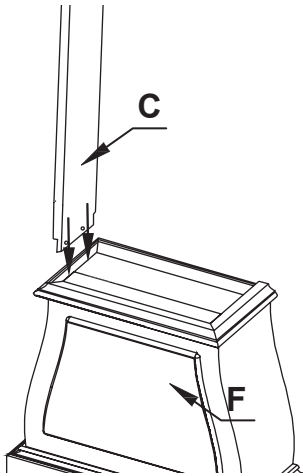
	DESCRIPTION	FIGURE	QTY		DESCRIPTION	FIGURE	QTY
1	BOLTφ8*40mm		8PCS	4	LONG SCREW		1PC
2	FIXING BARS		2PCS	5	SHORT SCREW		1PC
3	CABLE TIE		1PC	6	PLASTIC ANCHOR		1PC

ITEM:900723

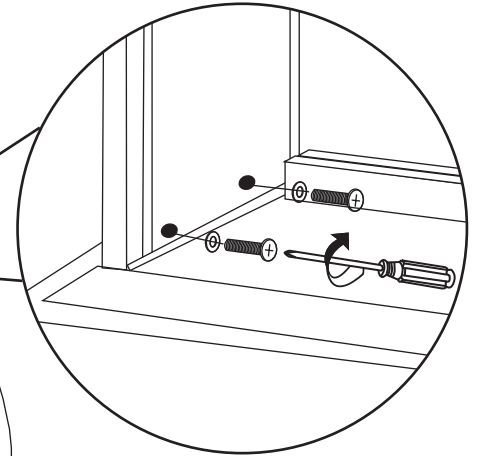
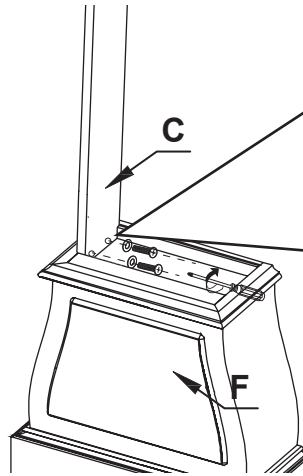


NOTES: PLEASE MAKE SURE CLOCK IS IN LEVEL POSITION, OTHERWISE IT WILL NOT OPERATE PROPERLY.

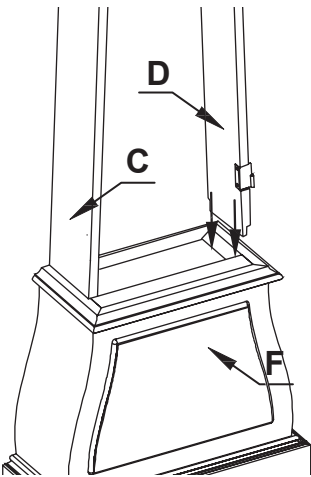
STEP 1-1



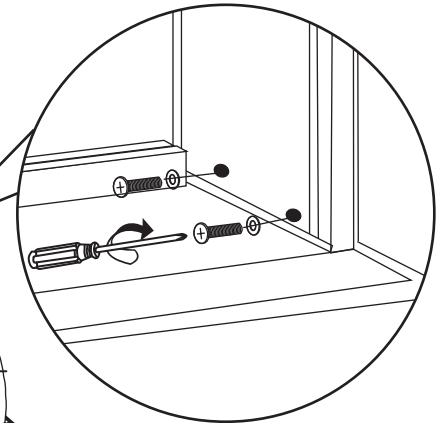
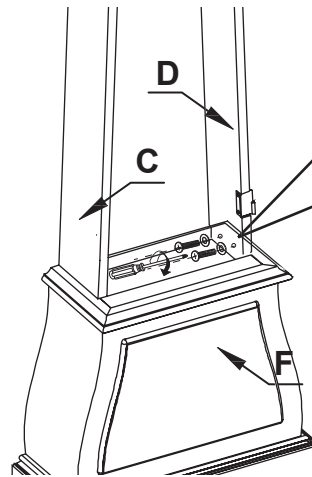
STEP 1-2



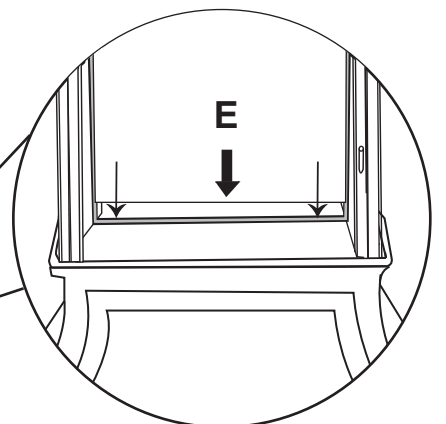
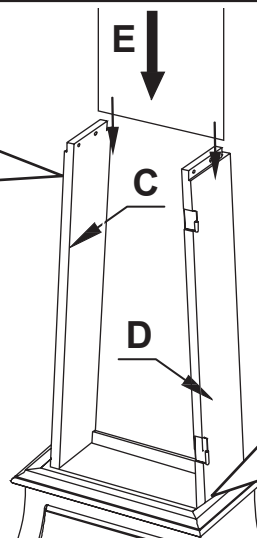
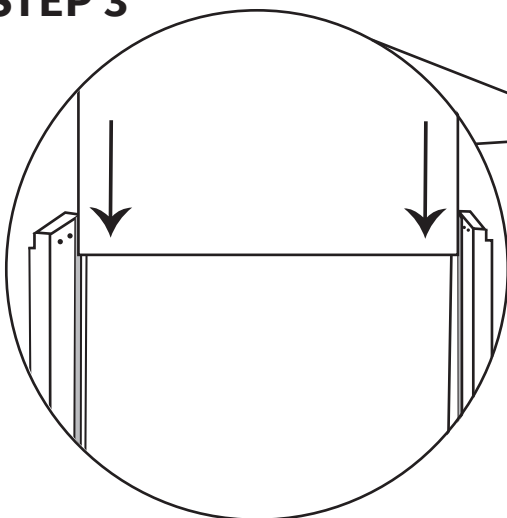
STEP 2-1



STEP 2-2



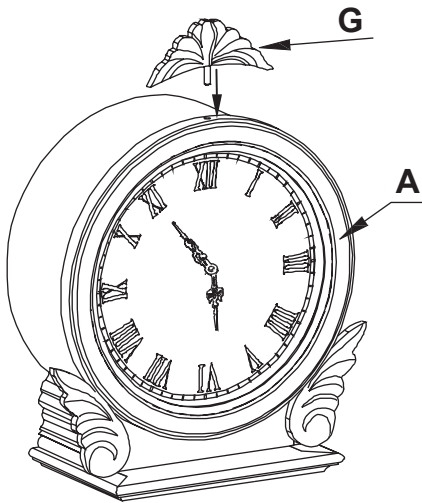
STEP 3



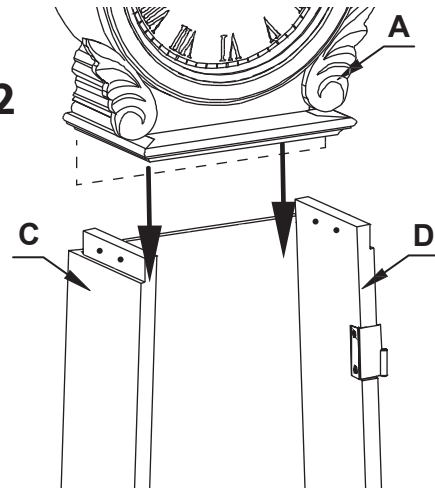
ITEM:900723

COASTER
FINE FURNITURE

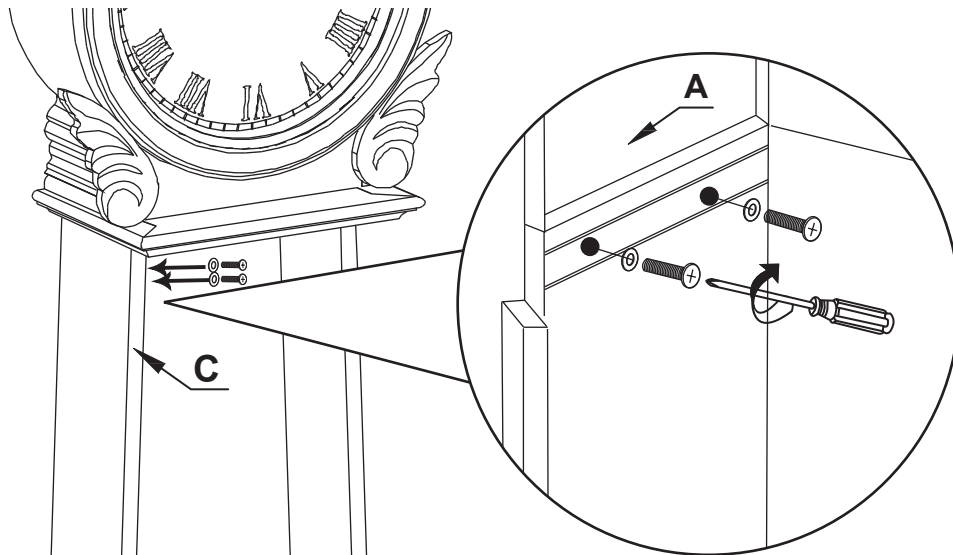
STEP 4-1



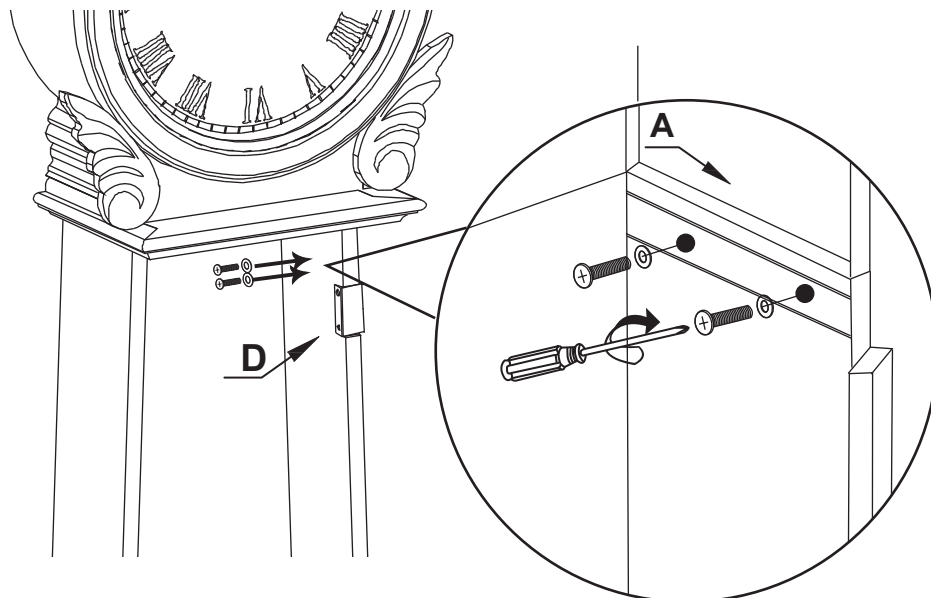
STEP 4-2



STEP 5

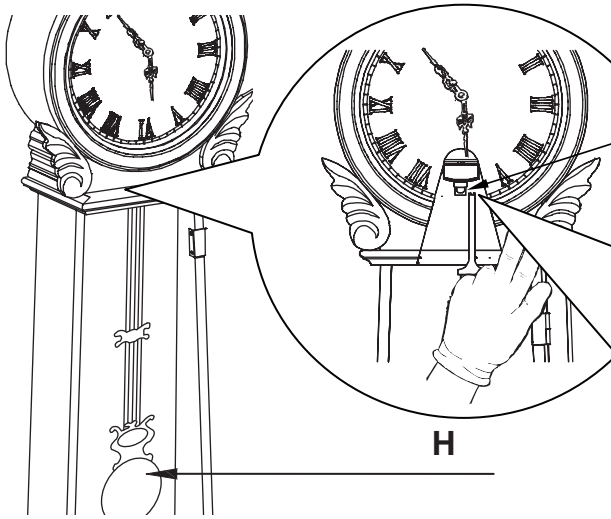


STEP 6

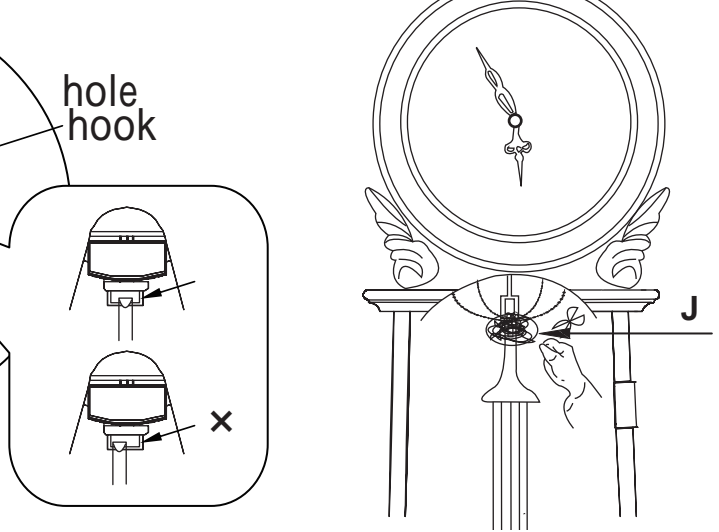


ITEM:900723

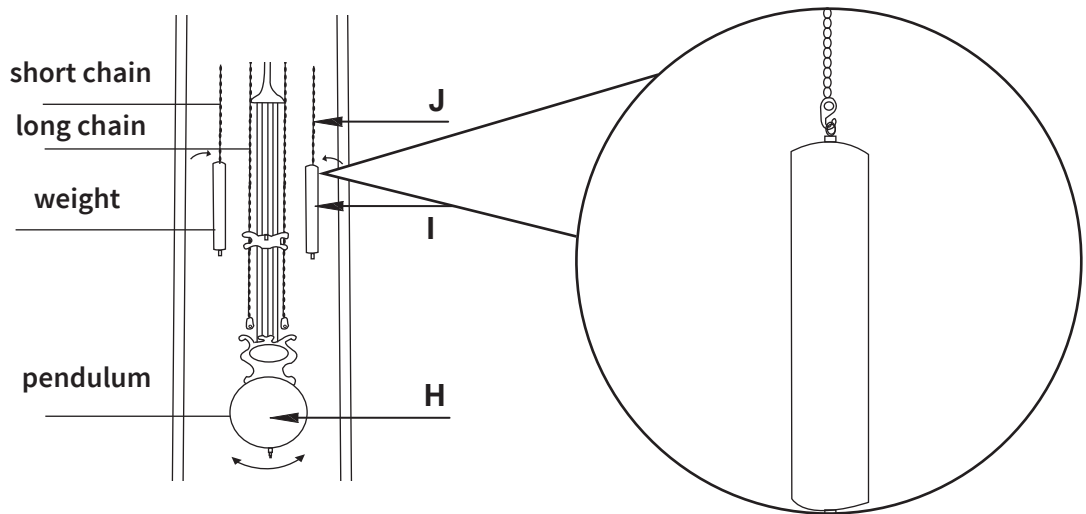
STEP 7-1



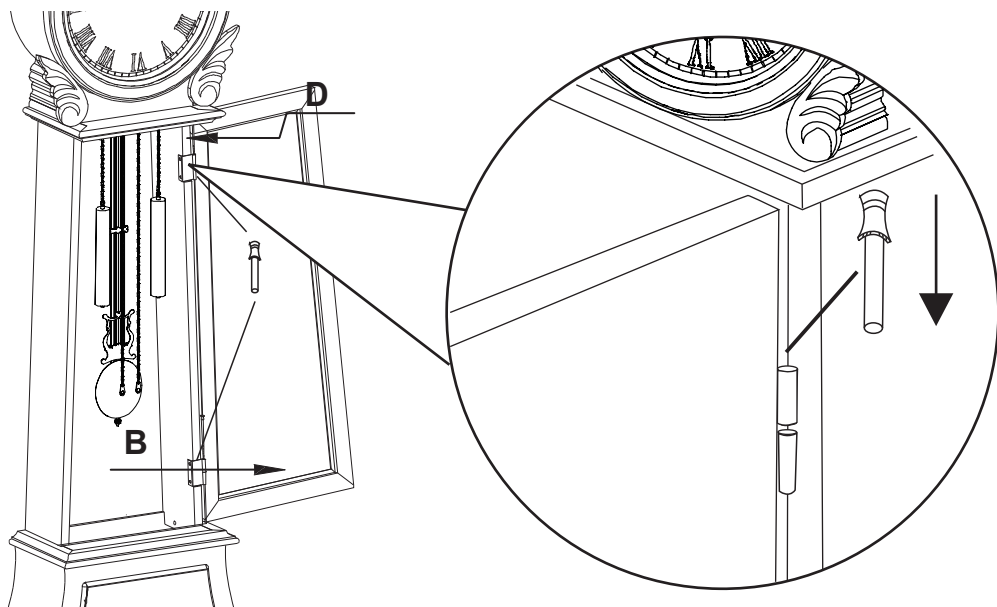
STEP 7-2



STEP 8



STEP 9



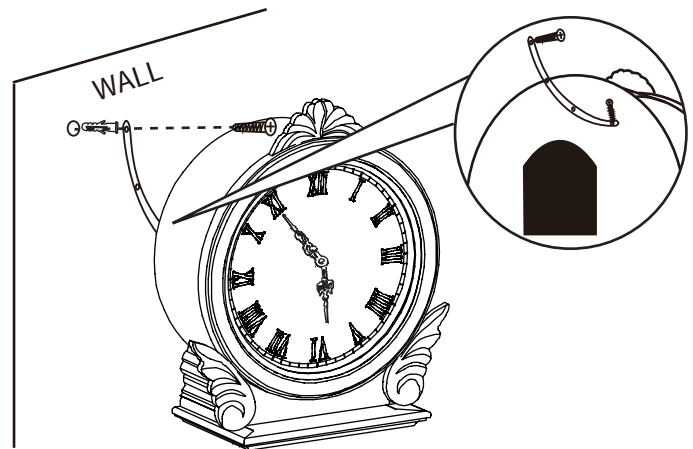
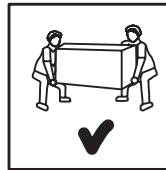
ITEM:900723



STEP 10

ATTENTION: ANTI TIPPING SAFEGUARD

BACK OF THE CLOCK



FURNITURE TIPPING RESTRAINT

WARNING

Injury may result from tipping furniture.

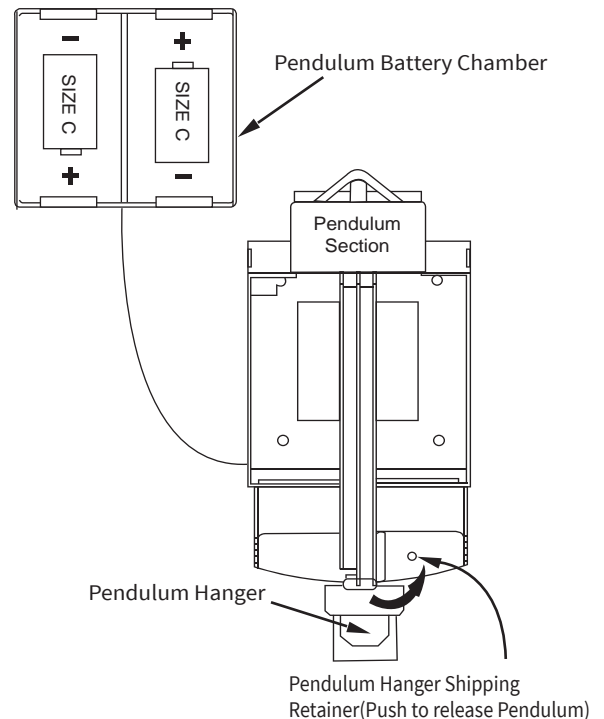
This restraint is not a substitute for proper adult supervision.
This restraint may provide protection against tipping furniture.

Do not allow children to climb on furniture.

Failure to detach this restraint before moving furniture may result in injury and damage.

PENDULUM INSTRUCTION

1. Insert 2 x C Batteries into the Pendulum Battery Chamber. Ensure that the positive and negative symbols are aligned as shown.
2. Push Pendulum Hanger lightly, to release the Pendulum Hanger from "Pendulum Hanger Shipping Retainer", and to allow Pendulum to swing freely.
3. Hang the Pendulum (H) as shown in the figure below. Make sure that the bright side of the Pendulum Bob faces front of the clock.
4. Hang the Decorative Weight (I) as in the figure below.
5. Lightly push the Pendulum (H) sideways to let it swing.

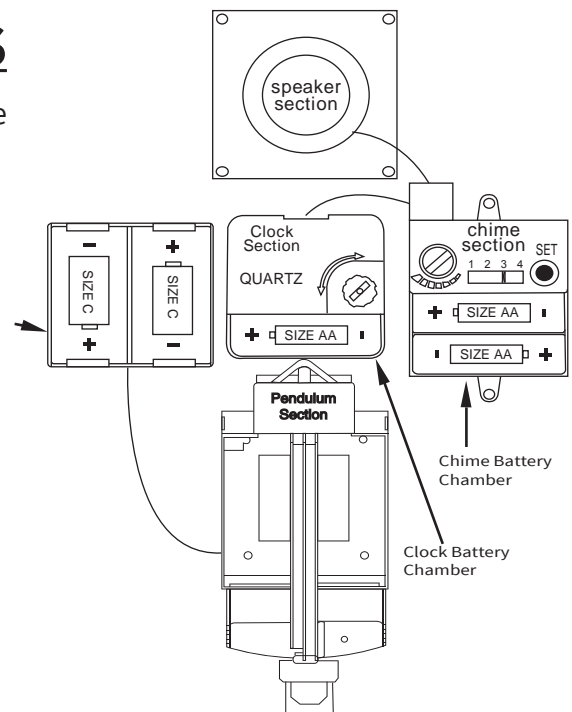


IMPORTANT NOTICE: PLEASE MAKE SURE THE PENDULUM HANGER IS RELEASED FROM THE "PENDULUM HANGER SHIPPING RETAINER", OTHERWISE THE PENDULUM WILL NOT SWING.

SETTING INSTRUCTIONS

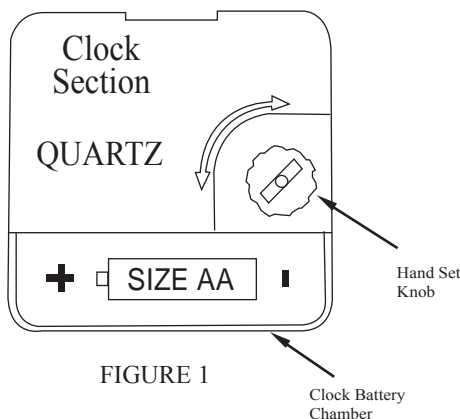
Before setting time, chime and pendulum, please open the back panel on the Top Unit. After removing the cover, please refer to the figure at the right to identify and locate the following items:

- Clock Section
- Clock Battery Chamber
- Chime Section
- Chime Battery Chamber
- Pendulum Section
- Pendulum Battery Chamber

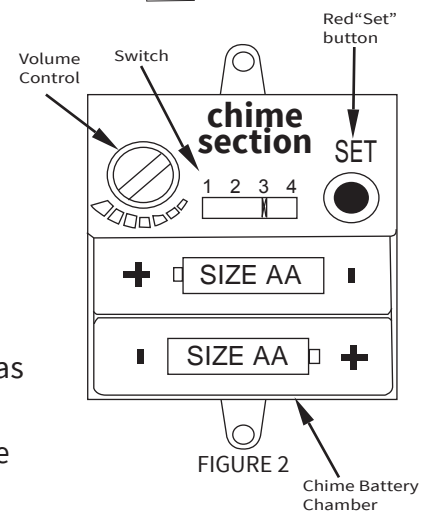


SETTING TIME AND CHIME

1. if it is not at 5:55, turn clock hands to 5:55 by Hand Set Knob(Figure 1). Make sure the hands move **CLOCKWISE ONLY**.
2. Insert 2 x AA Batteries as shown (Figure 2). Ensure that the positive (+) and negative (-) symbols are aligned as shown.



3. Insert 1 x AA Battery into the Clock Battery Chamber (Figure 1).Ensure the positive (+) and negative (-) symbols are aligned as shown.



4. Press the Red 'Set' Button once to start the chiming sequence.

5. Your clock will play the 'Westminster' chime and 'strike' six times indicating 6:00am.Your clock is now set to the correct chiming sequence 3 (Figure 2).

6. After setting the correct chiming sequence,then set the clock to the correct time with the Hand Set Knob.

E.g.-if you are setting the clock to 8 o'clock in the evening,8:00 pm,you will need to move the hands forward to 12 o'clock and then continue to 8 o'clock to show 8:00 pm. Alternatively, if the time is 8:00 am when you are setting,you just move the hands forward from 8:00 to 8:00. The clock now knows it is 8:00 am.

If the clock time is not right or the clock chimes incorrectly,please replace the batteries,and follow the set time and chime procedure as above.

Your clock will not chime or strike after 9:00 pm,It has an AUTOMATIC night mute with the last strike at 9:00 pm and the first at 6:00 am.

CAUTION

Do not mix Old and New batteries. Do not mix Alkaline, and Standard(Carbon - Zinc) or Rechargeable(Nickel - Cadmium) batteries.

TROUBLESHOOTING

Here are a few symptoms that are associated with 'Defective Batteries' or 'Incorrect Installation' and do not indicate that the clock itself is defective:

If the positive and negative poles of any battery are reversed, they must be removed first and then installed again. All are taken down to initialize the clock. Then install it correctly. It is not possible to mix an old battery with a new battery, let alone replace it with another type of battery. Be sure to use 3pcs of AA size and 2pcs of C size batteries. A bad battery can also cause the clock to work infrequently.

Possible conditions of the clock caused by insufficient battery power: Inaccurate time reporting, random time reporting, always reporting one time. Or the volume of timekeeping and music is getting weaker and weaker. If the battery is low, it will leak, and corrode the metal circuit and cause the clock to malfunction. Even damage the battery box. If any of the above problems are found, replace the battery in time.

Regarding the operating troubleshooting methods:

1. When you assemble the clock, you should be careful to avoid touching the pointer and each line to prevent the clock hands from shifting and the line loose.
2. (Figure 1) When turn the clock hands by Hand Set Knob counterclockwise, Do not let minute hand past the 12 o'clock position, otherwise it will damage the timekeeping contacts of the movement, resulting in failures such as no timekeeping or no music.)
3. Before the clock leaves the factory, the hour hands have been set at 5:55AM. If the clock display is not this time, please turn the minute hand by Hand Set Knob clockwise to adjust to 5:55AM, and then insert the battery.
4. The first chime is set to 6:00 AM. The chime will stop automatically from 10:00 PM to 5:00 AM. (The night stop function is programmed before leaving the factory. The user cannot change it)
5. Once the battery is removed, the chime box will be automatically initialized. After reloading, it will be reported again from 6:00 in the morning. (Figure 2)

Regarding the timekeeping troubleshooting methods:

- 1.Solution for not reporting the time with chime:
 - a.Rotate the volume button (Figure 2) to the maximum position.
 - b.Check whether the positive and negative positions of the battery are correct (Figure 2). If it is inaccurate, please reinstall it according to the icon.
 - c.If the positive and negative poles of the battery are correct and the problem is still not resolved, adjust the time to 5:55 clockwise by Hand Set Knob, remove the battery, wait for a while, and place it again. Then adjust the clock hands to 6:00 to tell the time and music.
 - d.Or use the Red button on the Chime box (Figure 2) to solve problem as (c.) above, each time you press, no more than 8 times, you can hear the time and music. The time signaling this time is 6:00 AM. And then, press the red button to match the clock time. After that turn Hand Set Knob to adjust the clock hands clockwise to the actual local time.
- 2.The clock telling time is inconsistent with the displayed time. It can be adjusted by the Red button (Figure 2) on the Chime box. Each time you press it, an hour will be added, and so on. Note that the Red key is after 12 o'clock, and it is 1:00 when you press it again.
- 3.The hourly timekeeping time is inconsistent with the displayed time. Please set the clock to 5:55 without placing the battery (Figure 1). After placing the battery, manually automatically go to 6:00, and the clock will show time as 6:00 AM.
- 4.The time is not reported at 10 o'clock during the day, but reported 10 o'clock at night. The main reason is that the clock defaults to night as day. You can press the Red (Figure 2) button on the Chime box for 12 times to change the time from day to night.
- 5.If the clock reported with other chime or strike only or 'Westminster' chime only in full hours, please set the correct chiming sequence 3. See picture 2 at PAGE 7.

Regarding pendulum troubleshooting methods:

- 1.If the swing range of the rocker is small or does not swing, the general situation is that the battery power is insufficient, or the connection line between the rocker and the battery box is poor, and you need to replace new batteries or reinsert it and confirm whether it is secure.
- 2.If the swing range of the pendulum is unstable, or it shakes, etc. In addition to the battery power attenuation, it is usually caused by the hook of the pendulum not hanging to the middle position of the pendulum rod. See (The 3 sentence of paragraph 1), and make sure that the pendulum plate and the clock body are parallel. Don't deviate, twist, etc. and you need to manually push the pendulum plate to the left or right, so that the pendulum plate does not touch the inner wall of the clock case. The pendulum will swing normally.

ITEM: 900723

COASTER
FINE FURNITURE

