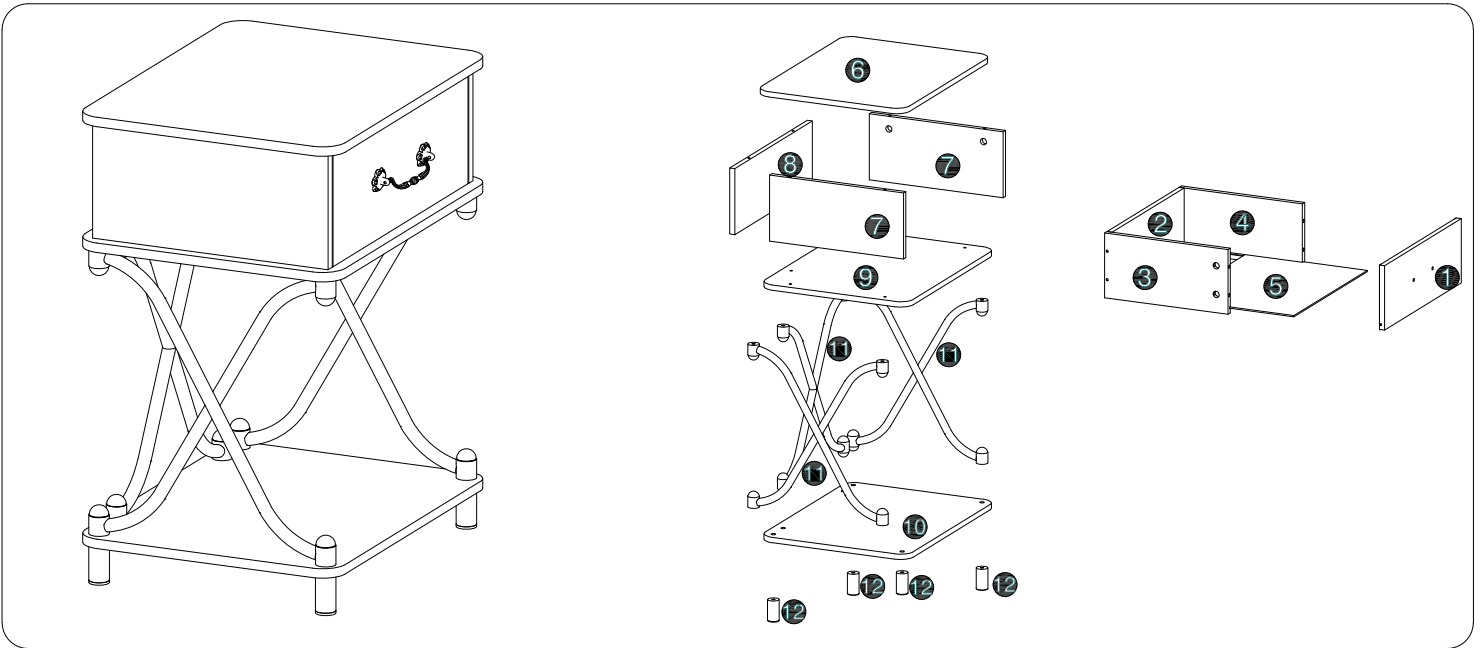


# Bedside Cupboard Installation Manual



## Componets

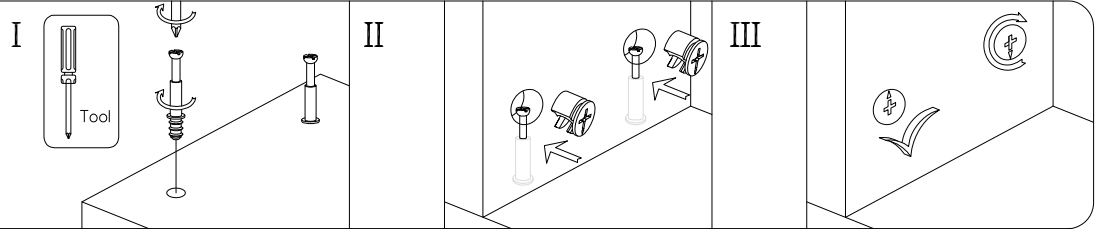
	389*144mm	<b>1</b>	X 1
	365*144mm	<b>2</b>	X 1
	292*145mm	<b>3</b>	X 1
	292*145mm	<b>4</b>	X 1
	372*287mm	<b>5</b>	X 1
	450*350mm	<b>6</b>	X 1
	317*147mm	<b>7</b>	X 2
	393*147mm	<b>8</b>	X 1
	450*350mm	<b>9</b>	X 1
	450*350mm	<b>10</b>	X 1
		<b>11</b>	X 3
		<b>12</b>	X 4

## Screws&Tolls

A			X 8
B		ø6*30mm	X 4
C		ø5*40mm	X 4
D		ø4*35mm	X 4
E		ø3.5*10mm	X 2
F			X 1
G			X 1
H		M4*12mm	X 2
I		M6*15mm	X 6
J		M8*25mm	X 2
K		M8*40mm	X 4
L			X 6
M		3mm    4mm    5mm	X 1

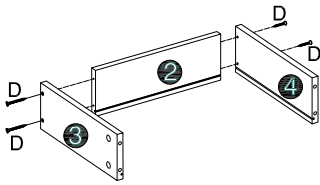
Check all the components & screws before assembly. Do not install in case part is missing contact us to get.

# "A" Hardware installation example

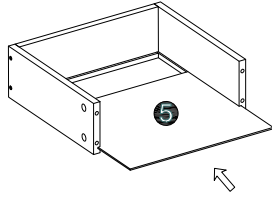


## 1 StepA: Drawer assembly

Dx4

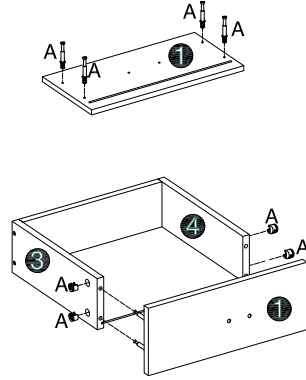


## 2



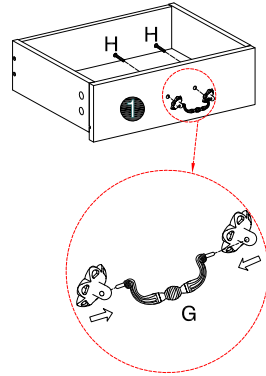
## 3

Ax4



## 4

Gx1  
 Hx2

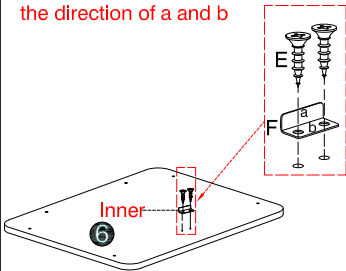


## 5

### StepB: Body assembly

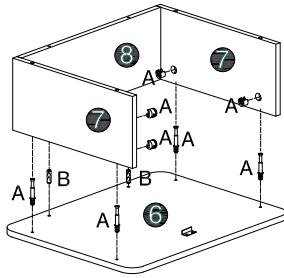
Tips:  
When in stall F, please notice the direction of a and b

Ex2  
 Fx1

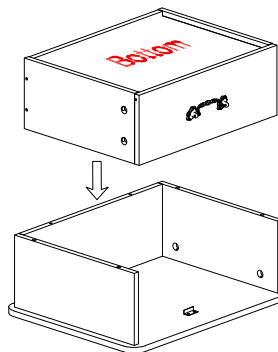


## 6

Ax4  
 Bx2

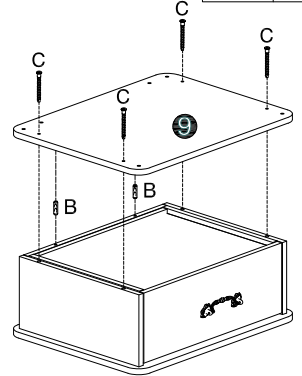


## 7



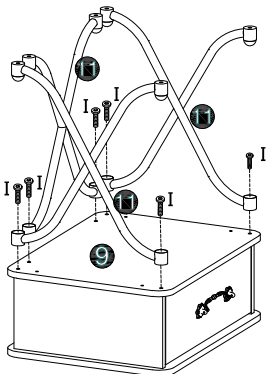
## 8

Bx2  
 Cx4



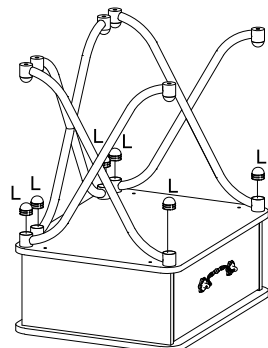
## 9

Ix6  
M6\*15mm



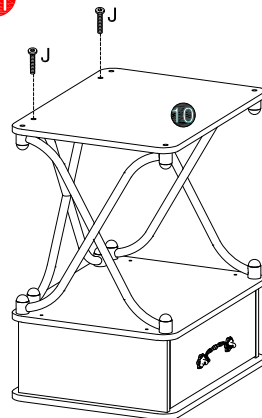
## 10

Lx6



## 11

Jx2  
M8\*25mm



## 12

Kx4  
M8\*40mm

