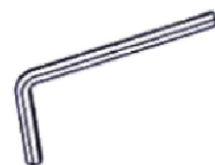
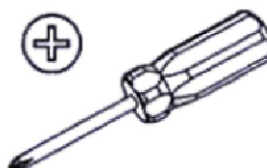
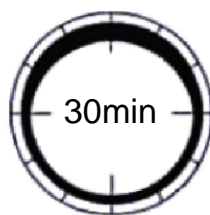
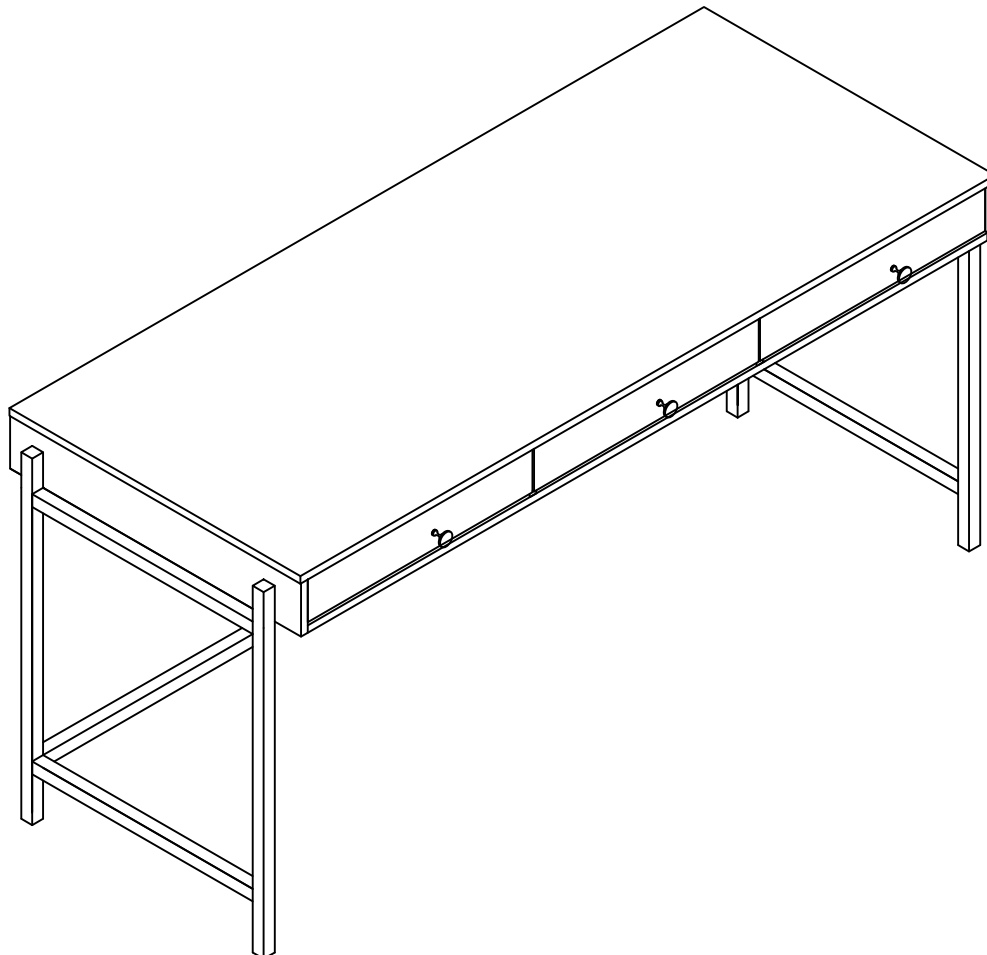



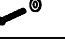




# Installation & Assembly

---

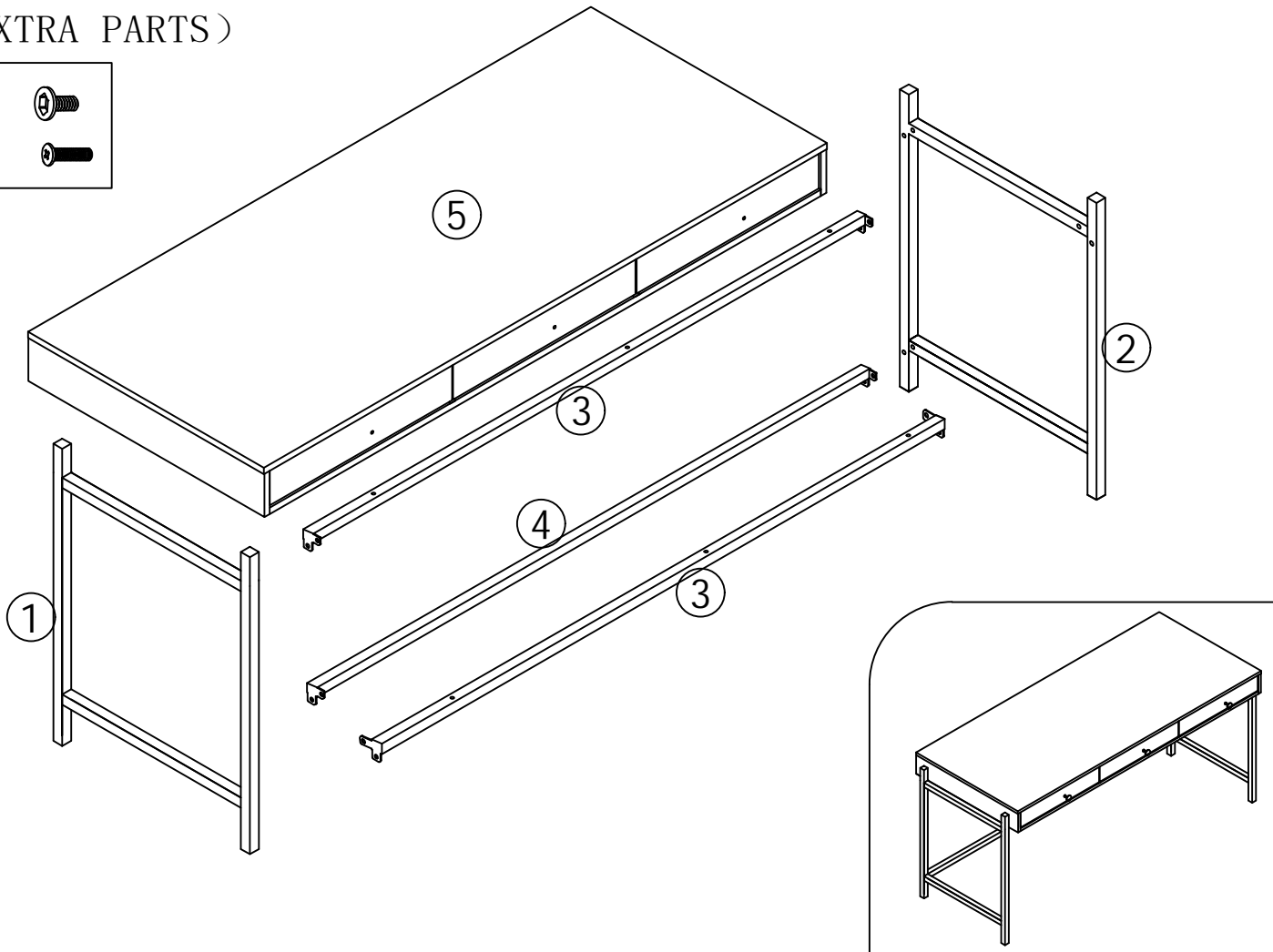


A		M6x15	12	PCS	D			3	PCS
B		4mm	1	PCS	E		M4*35	3	PCS
C		M6x35	6	PCS	F				

(EXTRA PARTS)

Ax1 

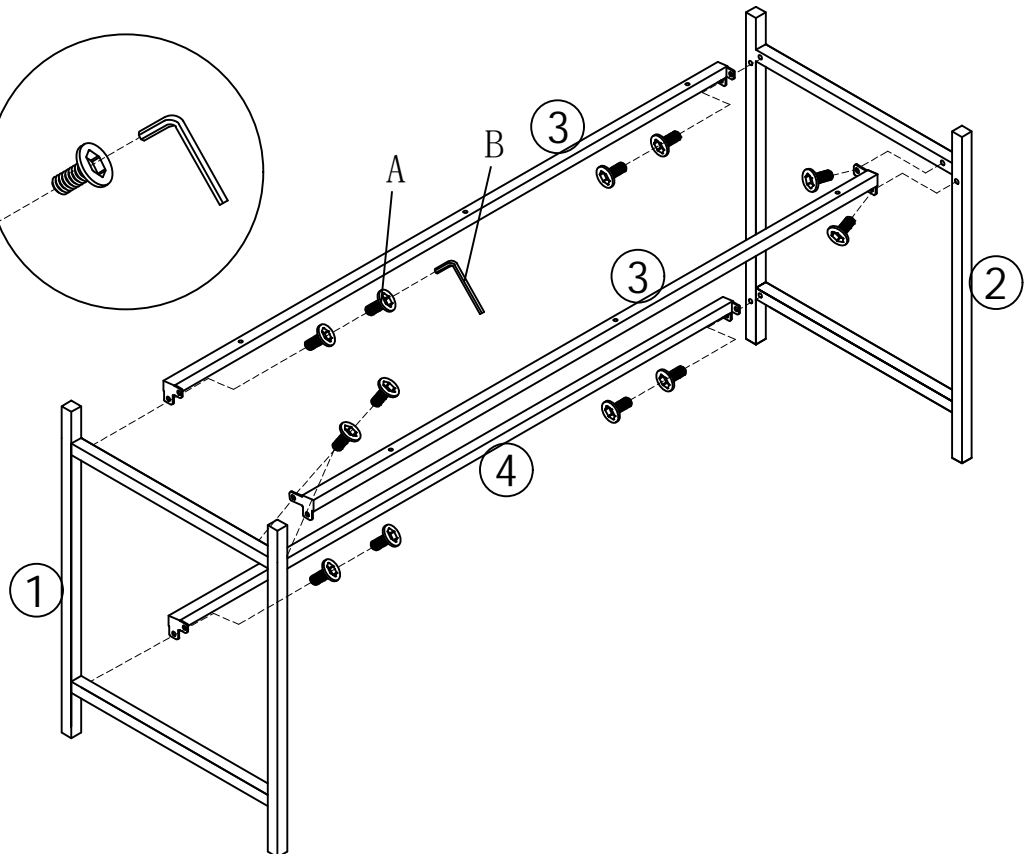
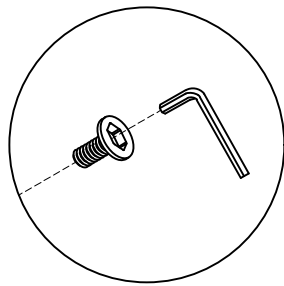
Cx1 



STEP 1

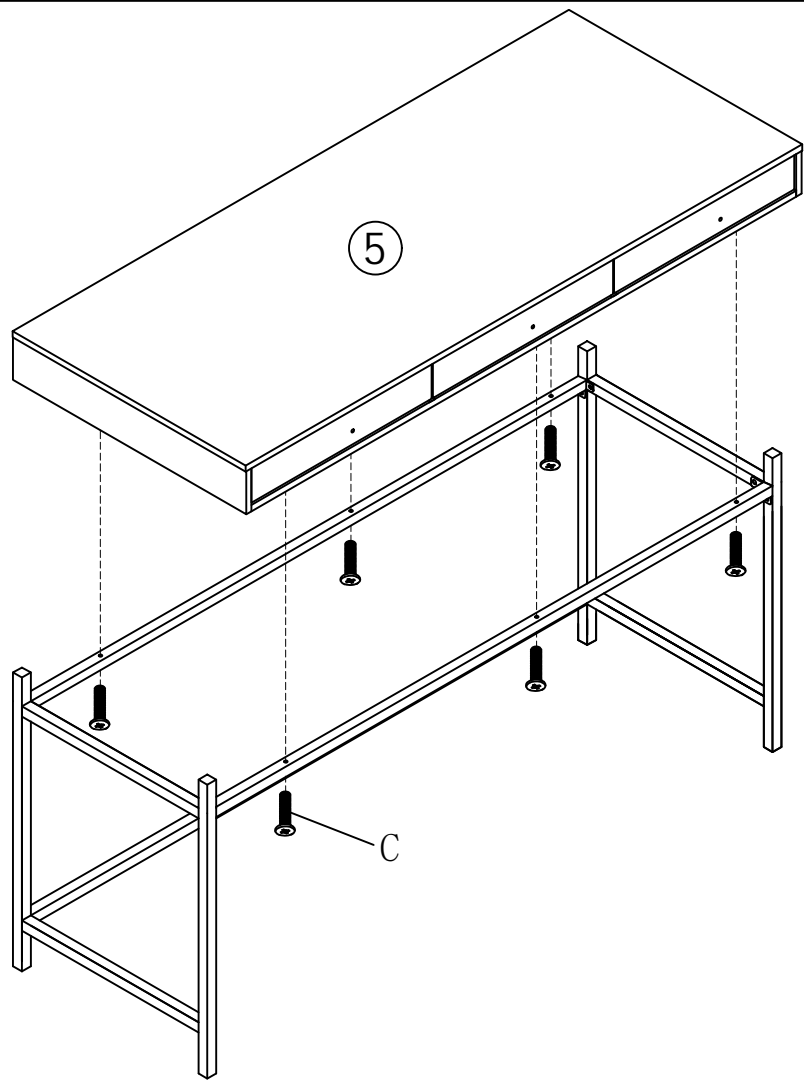
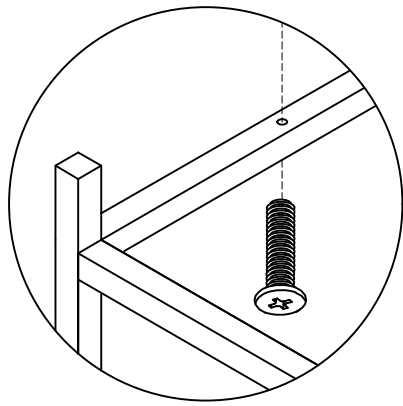
Ax12

Bx1



## STEP 2

Cx6



## STEP 3

Dx3

Ex3

