

Soozier

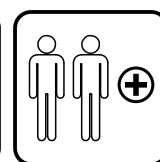
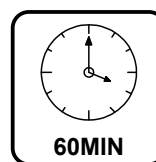
IN231100223V01_US_CA

A71-043V00

USER MANUAL Manuel d'Instructions




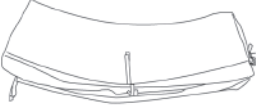
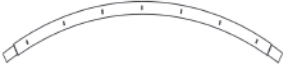






- *Suitable for children of 3+ years old.
- *Max weight: 100 kg.
- * Convient aux enfants de 3+ ans.
- *Poids maximum : 100 kg.






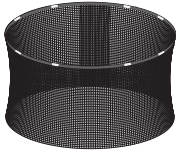

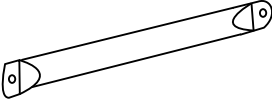
**FR_IMPORTANT : A LIRE ATTENTIVEMENT ET A CONSERVER POUR VOUS Y
REFERER ULTERIEUREMENT.
EN_IMPORTANT, RETAIN FOR FUTURE REFERENCE: READ CAREFULLY.**

PACKING DETAILS: TOTAL 2 BOXES

BOX-1/2

	① x 1
	② x 1
	③ x 6
	④ x 6
	⑤ x 6
	⑦ x 3
	⑳ x 6
	㉒ x 6
 Hardware Kit	

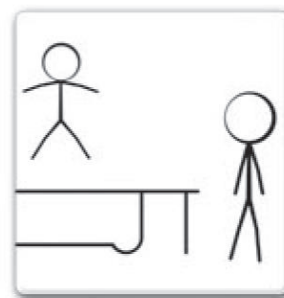
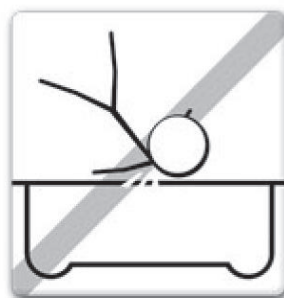
BOX-2/2

	⑧ x 42
	⑩ x 6
	⑪ x 6
	⑬ x 1
	㉖ x 2
	㉗ x 2

INSTRUCTIONS

BEFORE YOU BEGIN USING YOUR BIG TRAMPOLINE: *Read and understand all this information provided to you in this manual.* As with all physical sports and activities there is the risk of participants receiving an injury. To ensure your future enjoyment and the prevention of injury, be sure to follow appropriate safety rules and tips.

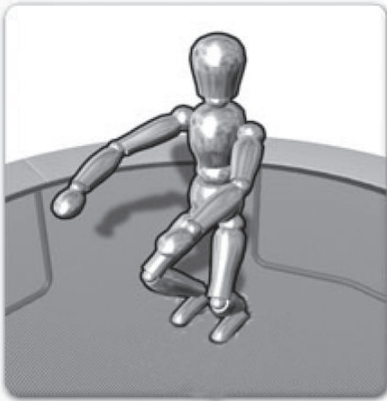
- always consult a doctor/physician before performing any kind of physical activity.
- always check your big trampoline before use, paying specific attention to all the bolts, jump mat and pads position. don't use if any parts are missing or look like they show wear and tear.
- always uses the provided safety enclosure when using the trampoline.
- always ensure that the trampoline is used by only one person at a time.
- always ensure that whenever the trampoline is used by anyone at any skill level that do so under supervision.
- stop exercising immediately should you feel unwell or if you feel pain in your joints and muscles. dizziness is a sign of fatigue and you should stop bouncing and lay down on the ground should you feel dizzy.
- when using this trampoline ensure appropriate clothing is worn, preferably sports wear and socks .never wear shoes on the mat.
- please be warned that trampoline is spring based and will allow the user to jump to a greater height than that on the ground, so please bear this in mind and ensure that you are comfortable bouncing at low heights first.
- proper assembly, care and maintenance of product, safety tips, warnings, and proper techniques for jumping on your trampoline are included in this manual for your safety and an extended product life span. all users and supervisors should therefore familiarize themselves with these instructions. anybody who chooses to use the trampoline must be aware of their own limitations with regards to performing skills on this trampoline.
- the safety enclosure is there to prevent the user falling off the trampoline, and is not to be jumped into unnecessarily.
- trampoline should be assembled on grass or bsi approved safety matting.



INFORMATION ON THE

● USE OF TRAMPOLINE

INITIALLY, you should get accustomed to your trampoline and understand how much spring is in each bounce .The focus at this point should be body position and technique until each skill can be completed with ease and control.



- **BEFORE YOU TRY TO JUMP TOO HIGH** the technique for stopping should be learnt as this will help prevent injury should you feel you are jumping out of control.
- As the user lands on the bed knees should be bent so that they stop and absorb the spring in the mat.The position is shown in the image to the left. Arms are held out for increased level of balance.
- **This skill is used when the trampoline user wishes to stop bouncing on the trampoline due to fatigue, loss of control, etc.**



SOMERSAULTS (FLIPS): DO NOT PERFORM somersaults of any type (backwards or forwards)on this trampoline.If you make a mistake when trying to perform a somersault ,you could land on your head or neck .This will increase your chances of your neck or back being broken ,which could result in death or paralysis



FOREIGN OBJECTS : DO NOT use the trampoline if there are pets ,other people ,or any objects underneath the trampoline .This will increase the chances of an injury occurring ,**DO NOT** hold any foreign objects in your hand and **DO NOT** place any objects on the trampoline while in use. **DO NOT** place the trampoline under over-hanging objects like tree branches, wires, etc as these will increase your chances of being injured.



POOR MAINTENANCE OF TRAMPOLINE: A trampoline in poor condition will increase your risk of being injured. Please inspect the trampoline before each use for bent steel tubes, torn mat, loose or broken springs and overall stability of the trampoline.

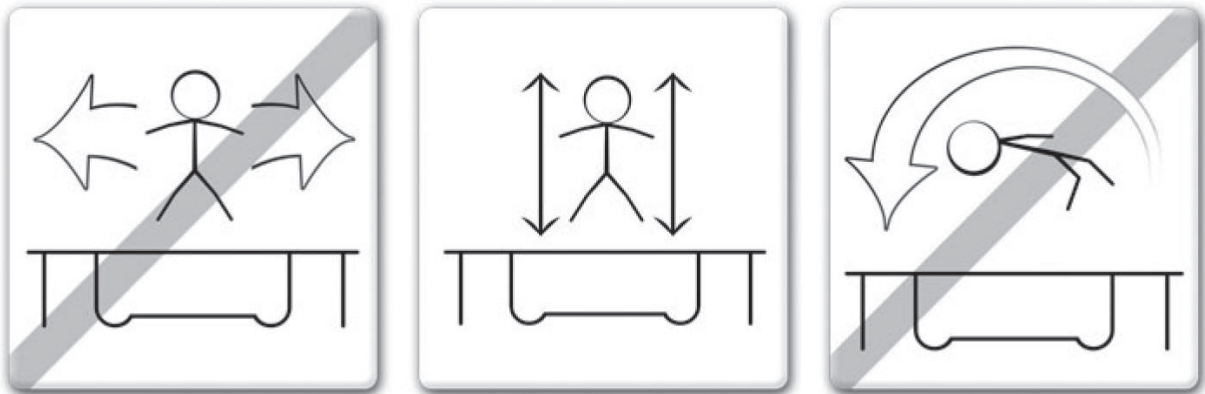


WEATHER CONDITIONS: Please be aware of the weather conditions when using the trampoline. If the mat of the trampoline is wet, the user could slip and injure himself /herself .If it is too windy, the user could lose control.



RESTRICTING ACCESS: When the trampoline is not in use, always store the access ladder in a secure place so that unsupervised children can not play on the trampoline.

- **RISK OF ACCIDENTS**



In order to reduce the risk of accident the "TRAMPOLINE USER" should:

- Always remain in control of their jumps and body position at all times.
- Not attempt to perform skills that are beyond their own level of competence.
- Read and understand the jump by taking off and landing in the middle of the trampoline.
- Always control their jump by taking off and landing in the middle of the trampoline.
- Always jump vertically and refrain from bouncing towards the springs in any direction.
- Always consult a professionally certified trampoline instructor before attempting anything beyond basic techniques.

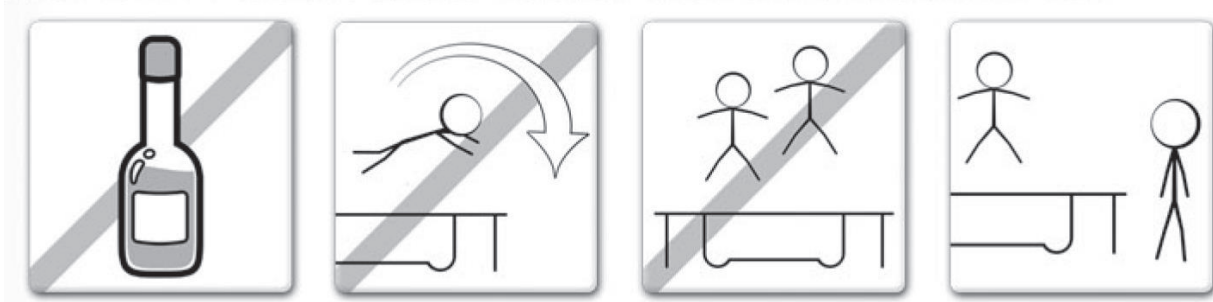
In order to reduce the risk of accident the "**SUPERVISOR**" should:

- Fully understand and enforce all the safety rules and guidelines.
- Advise the trampoline user and provide knowledge in what they are doing right and wrong to ensure the safety of trampoline user.
- Be aware and advise the trampoline user of all the safety warnings.

IMPORTANT: If the Trampoline can not be supervised there should be a method for securing it and preventing anyone from using the product until supervision is available.

● SAFETY INSTRUCTIONS

ADVISORY PRECAUTIONS WHILST USING THE TRAMPOLINE



- Do not use trampoline if you have consumed alcohol or narcotic substances
- You should climb on and off the trampoline in a controlled and careful manner. Never jump onto or off the trampoline and never use the trampoline as a means to bounce onto or into another object.
- Always learn the basic bounce and master each type of bounce before trying more difficult types of bounces .Review the basic skills section to learn how to do the basics.
- To stop your bounce, flex your knees when you land on your feet.
- Always be in control when you are bouncing on the trampoline. A controlled jump is when you land at the same spot that you took off from. If at any time you feel out of control, stop bouncing immediately.
- Do not jump or bounce for prolonged periods of time or too high for a number of jumps. Keep your eyes on the mat to maintain control. If you do not, you could lose your balance.
- Never have more than 1 person on the trampoline at any one time.

ADVISORY PRECAUTIONS WHILST SUPERVISING TRAMPOLINE

IMPORTANT: Familiarise yourself with the basic jumps and safety rules .To prevent and reduce the risk of injuries, ensure that all safety rules are enforced and the new users learn the basic bounces before trying more advanced techniques .

- **ALL USERS need to be supervised, regardless of skill level or age.**
- Never use the trampoline when it is wet, damaged, dirty or worn out. The trampoline should be inspected before use.
- Keep all objects that could interfere during use away from the trampoline at all times. Be aware of what is overhead, underneath and around the trampoline.
- To prevent unsupervised and unauthorized use, the trampoline should be secured at all time.

● CLASSIFICATION & IDENTIFICATION



MOUNTING AND DISMOUNTING:

Be very careful when getting on and off the trampoline. DO NOT mount the trampoline by grabbing the frame pad, stepping onto the springs or by jumping onto the mat of the trampoline from an object (eg. A deck, roof, or ladder). This is considered highly dangerous. DO NOT dismount by jumping off the trampoline and landing on the ground. If small children are playing on the trampoline, they may need help in mounting and dismounting.



USE OF ALCOHOL OR DRUGS:

DO NOT consume any alcohol or take any drugs (*this includes medication that could affect the users co-ordination*) when using this trampoline. This is considered highly dangerous since these foreign substances impair your judgements, reaction time and overall physical co-ordination.



MULTIPLE USERS:

If you have multiple users (more than one person on the trampoline at any one time), you increase the chance of being injured. Injuries can occur when you fly off the trampoline, lose control, collide with other jumper(s), or land on the springs.



STRIKING THE SPRING FRAME:

When playing on the trampoline, STAY in the centre of the trampoline mat. This will reduce the risk of being injured by landing on the spring frame. Always keep the frame pads covering the frame of the trampoline. DO NOT jump or step onto the frame pad directly since it is not intended to support the weight of a person.

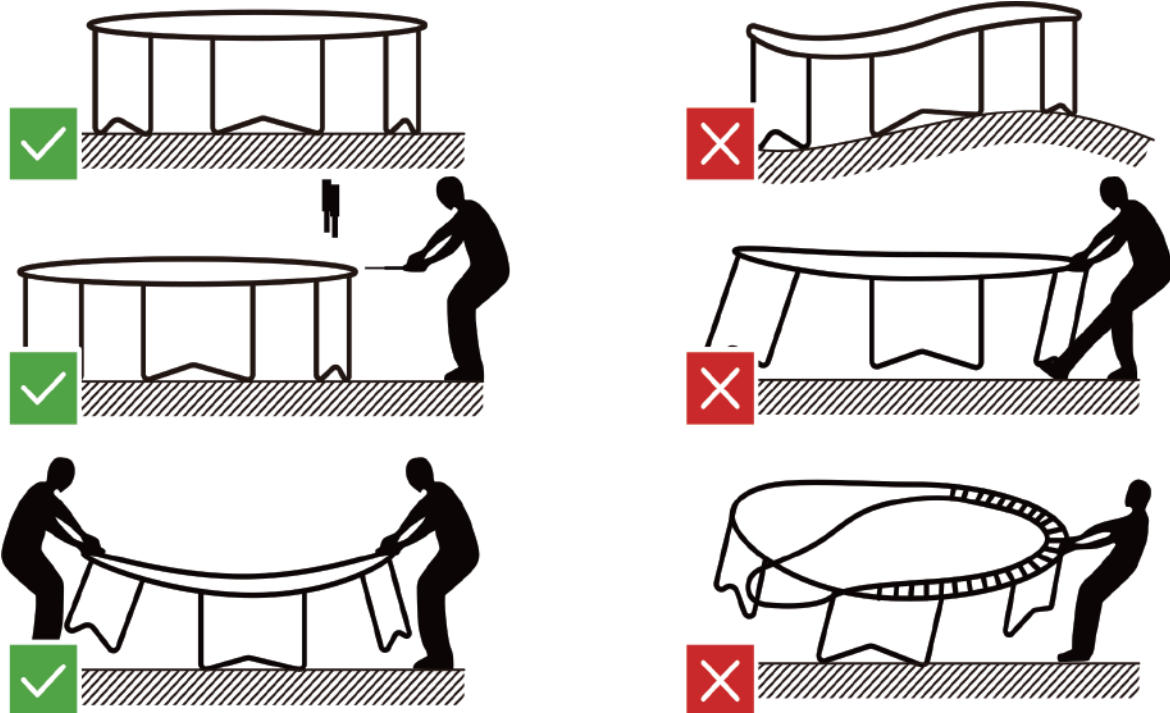


LOSS OF CONTROL:

DO NOT try difficult maneuvers until you have mastered the basics. If you do not follow these guidelines, you increase the risk of someone being injured.

● MOVING INSTRUCTIONS

- Make sure the trampoline is placed on level ground. Uneven ground surfaces may cause the trampoline frame to warp.
- Make sure that all bolts holding the frame joints are tightened completely before installing the springs. Failure to do this properly will cause the frame to warp.
- Make sure NOT to use one's leg to push against the trampoline leg or frame when loading the springs. It will cause the trampoline to warp.
- DO NOT load the springs onto the frame on only one side of the trampoline. Uneven distribution of tension from the springs will cause the frame to warp.
- If the trampoline frame warps up, do not be alarmed as the "Quad-lock" system is designed to be flexible. Push down on the part of the frame that warped with two people as shown. The frame will level out.
- Moving trampoline. If the trampoline and enclosure needs to be moved, it should be moved by two persons at least, kept horizontal, and lifted slightly. If necessary, the trampoline and enclosure can be taken for moving. To take the trampoline apart, follow the assembly steps in reverse order.
- If you need to move the trampoline, two people should be used at least. All connector points should be wrapped secured with weather resistant tape, such as duct tape. This will keep the frame intact during the move and prevent the connector points from dislocating and separating. When moving, lift the trampoline slightly of the ground and keep it horizontal to the ground. For any type of other move, you should disassemble the trampoline.

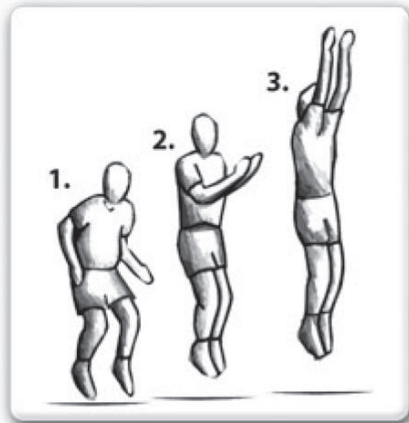


WARNING!

2 adults in good physical condition are required for the following assembly. Wear proper shoes and maintain balance to prevent a fall. Failure to follow all instructions and warnings exactly may result in serious injury.

● BASIC SKILLS

BASIC SKILL 1: The Basic Bounce



- Start from a standing position, with feet shoulder width apart head up and eyes on the trampoline bed.
- Swing arms forward and up above head in a circular motion.
- Bring legs and feet together in " mid-air " position and point toes.
- Land back on the mat with feet shoulder width apart (same as start position).
- Why not try moving onto the next skill once comfortable and proficient.

BASIC SKILL 2: The Knee Drop

- Start with a low basic bounce (as detailed in BASIC SKILL 1).
- Land on knees shoulder width apart, keeping back straight and a strong body position using arms out to the side or in front to maintain balance.
- Bounce back to basic bounce position by using bounce momentum and swinging arms above head.
- Once mastered at this height try bouncing a little higher, but remember to always stay in control of your height.



BASIC SKILL 3: The Seat Drop



- Start with a low basic bounce (BASIC SKILL 1) in the normal
- Land with legs out straight in front of you, with hands either side of your hips and back straight in a strong body position.
- Use the bounce momentum aided with a push from hands to return to a standing position.
- Once mastered at this height try bouncing a little higher, but remember to always stay in control of your height.

IMPORTANT: Please consult a trained trampoline instructor before attempting any more advanced skills to ensure highest possible safety levels are maintained.

● ADVANCED SKILLS

ADVANCED SKILL 1: The Basic Bounce



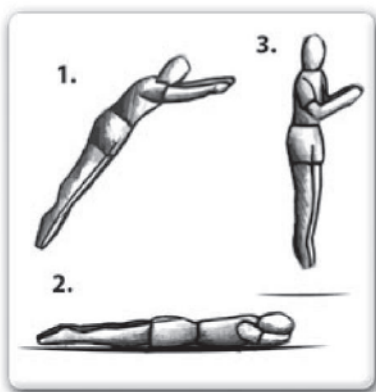
- Start with a low basic bounce (BASIC SKILL 1) in the normal position.
- Land on your hands and knees at the same time, ensure that back is horizontal to the bounce mat and hands & legs are shoulder width apart also.
- Use the momentum of bounce and push off hands to regain the standing position.
- Once mastered at this height try bouncing a little higher, but remember to always stay in control of your height.
- Try moving onto the next skill once comfortable and proficient.

ADVANCED SKILL 2: Hands and Knees to Front Drop

- Land on your hands and knees at the same time, ensure the back is horizontal to the bounce mat and hands & legs are shoulder width apart also.
- Maintain strong body position with back horizontal to mat and straighten legs behind and fold arms in front of face in mid-air ready to land on the mat in a lying down position.
- Ensure the landing is done with all of body touching the mat at same time.
- Push off hands and recover the standing position.
- Once mastered at this height try bouncing a little higher, but remember to always stay in control of your height. Trying moving onto the next skill once comfortable and proficient.



ADVANCE SKILL 3: The Front Drop



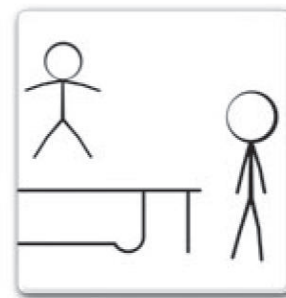
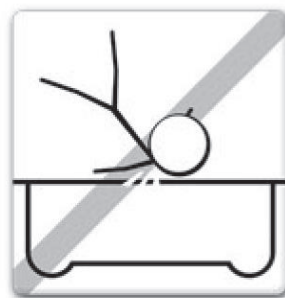
- Start with a low basic bounce (BASIC SKILL 1) in the normal position.
- Maintain strong body position with back horizontal to mat and straighten legs behind and fold arms in front of face in mid-air ready to land on the mat in a lying down position.
- Ensure the landing is done with all of body touching the mat at the same time.
- Push off hands and recover the standing position.
- Once mastered at this height try bouncing a little higher, but remember to always stay in control of your height.

IMPORTANT: Should you wish to progress any further and learn more advanced techniques for trampoline, please consult a qualified and registered instructor.

Instructions

AVANT VOUS BEGIN USING VOTRE GRAND TRAMPOLINE : *Lisez et comprenez toutes ces informations fournies dans ce manuel.* Comme pour tous les sports et activités physiques, il y a un risque que les participants reçoivent une blessure. Pour assurer votre plaisir futur et la prévention des blessures, veillez à suivre les règles de sécurité et les conseils appropriés.

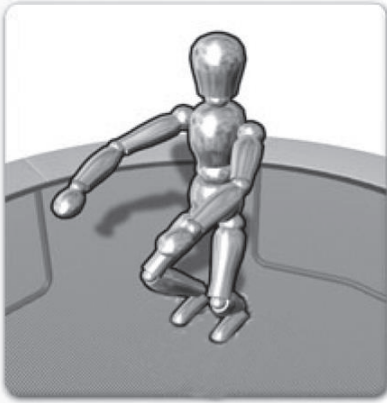
- Consultez toujours un médecin/médecin avant de pratiquer tout type activité physique.
- Vérifiez toujours votre grand trampoline avant utilisation, en prêtant une attention particulière à tous les boulons, tapis de saut et la position des coussinets. N'utilisez pas si des pièces sont manquantes ou semblent montrer l'usure.
- Utilisez toujours l'enceinte de sécurité fournie lors de l'utilisation du trampoline.
- Toujours s'assurer que le trampoline est utilisé par une seule personne à la fois.
- Veillez à ce que chaque fois que le trampoline est utilisé par n'importe qui à n'importe quel niveau de compétence qui le font sous surveillance.
- Arrêtez immédiatement de faire de l'exercice si vous vous sentez mal ou si vous ressentez de la douleur dans vos articulations et vos muscles. Le vertige est un signe de fatigue et vous devriez arrêter de rebondir et de s'allonger sur le sol si vous vous sentez étourdi.
- Lors de l'utilisation de ce trampoline, veillez à ce que les vêtements appropriés sont portés, il vaut mieux porter des vêtements de sport et chaussettes. Ne portez jamais des chaussures sur le tapis.
- Veuillez noter que le trampoline est basé sur le ressort et permettra à l'utilisateur de sauter à une plus grande hauteur que celle sur le terrain, veuillez donc garder cela à l'esprit et assurez-vous que vous êtes à l'aise rebondir à basse hauteur en premier.
- L'assemblage, l'entretien et la maintenance appropriée du produit, des conseils de sécurité, des avertissements et des techniques appropriées pour sauter sur votre trampoline sont inclus dans ce manuel pour votre sécurité et une durée de vie prolongée du produit. Tous les utilisateurs et superviseurs doivent donc s'informer bien de ces instructions. Toute personne qui choisit d'utiliser le trampoline doit être conscient de ses propres limites en ce qui concerne les compétences d'exécution sur ce trampoline.
- L'enceinte de sécurité est là pour empêcher l'utilisateur de tomber du trampoline, et ne doit pas être sauté dans inutilement.
- Le trampoline doit être assemblé sur l'herbe ou des tapis de sécurité approuvé par bsi.



INFORMATIONS SUR

● UTILISATION DU TRAMPOLINE

INITIALEMENT, vous devriez vous habituer à votre trampoline et de comprendre le nombre de ressort est dans chaque rebond. L'accent à ce stade doit être la position du corps et la technique jusqu'à ce que chaque compétence puisse être complétée avec facilité et contrôle.



- **AVANT D'ESSAYER DE SAUTER PLUS ÉLEVÉ** la technique d'arrêt doit être apprise car cela aidera à prévenir les blessures si vous sentez que vous sautez hors de contrôle.
- Comme l'utilisateur atterrit sur les genoux de lit doit être plié de sorte qu'ils s'arrêtent et d'absorber le ressort dans le tapis. La position est affichée dans la figure à gauche. Les bras sont tendus pour un meilleur équilibre.
- **Cette compétence est utilisée lorsque l'utilisateur de trampoline souhaite arrêter sur le trampoline en raison de la fatigue, la perte de contrôle, etc.**



SAUTS PÉRILLEUX (FLIPS) : NE faites PAS des sauts périlleux de tout type (vers l'arrière ou vers l'avant) sur ce trampoline. Si vous faites une erreur lorsque vous essayez d'effectuer un saut périlleux, vous pourriez atterrir sur votre tête ou le cou, ce qui augmentera vos chances de vous casser le cou ou le dos, ce qui pourrait entraîner la mort ou la paralysie.



FOREIGN OBJECTS : N'utilisez PAS utiliser le trampoline s'il y a des animaux de compagnie, d'autres personnes, ou des objets sous le trampoline. Cela augmentera les risques de blessure, NE tenez pas d'objets étrangers dans votre main et ne placez pas d'objets sur le trampoline pendant l'utilisation. NE placez PAS le trampoline sous des objets suspendus comme des branches d'arbres, des fils, car ceux-ci augmenteront vos risques de blessure.



MAINTENANCE OF TRAMPOLINE MEDIOCRE : Un trampoline en mauvais état augmentera votre risque d'être blessé. Veuillez inspecter le trampoline avant chaque utilisation pour les tubes en acier pliés, le tapis déchiré, les ressorts lâches ou cassés et la stabilité globale du trampoline.

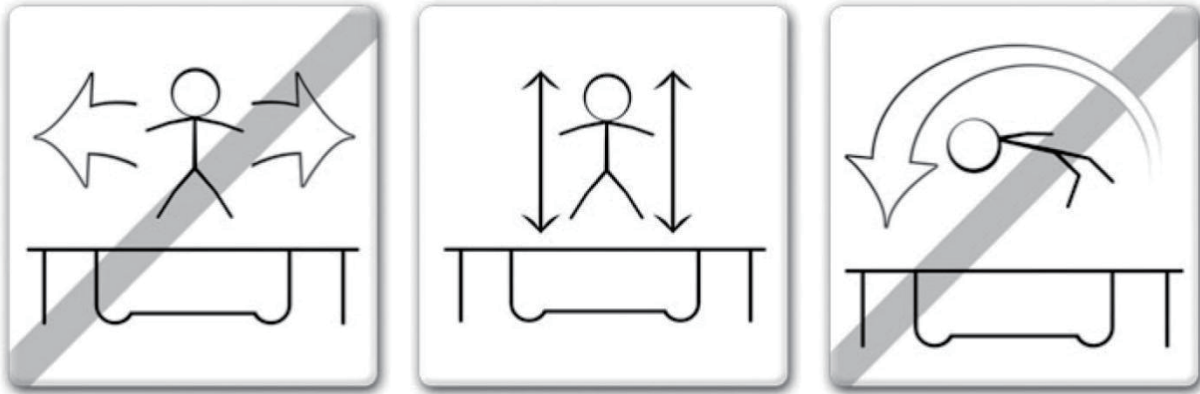


CONDITIONS MÉTÉO : veuillez être conscient des conditions météorologiques lors de l'utilisation du trampoline. Si le tapis du trampoline est mouillé, l'utilisateur peut glisser et se blesser / elle-même. Si le vent est violent, l'utilisateur pourrait perdre le contrôle.



RESTRICTION D'ACCÈS: Lorsque le trampoline n'est pas utilisé, rangez toujours l'échelle d'accès dans un endroit sûr afin que les enfants non supervisés ne puissent pas jouer sur le trampoline.

- **RISQUE D'ACCIDENTS**



Afin de réduire le risque d'accident, l' " UTILISATEUR DE LA TRAMPOLINE " doit :

- Gardez toujours le contrôle de leurs sauts et la position du corps à tout moment.
- Ne tentez pas d'effectuer des compétences qui sont au-delà de leur propre niveau de compétence.
- Lisez et comprenez le saut en décollant et en atterrissant au milieu du trampoline.
- Contrôlez toujours leur saut en décollant et en atterrissant au milieu du trampoline.
- Sautez toujours verticalement et évitez de rebondir vers les ressorts dans n'importe quelle direction.
- Consultez toujours un instructeur de trampoline certifié professionnellement avant de tenter quoi que ce soit au-delà des techniques de base.

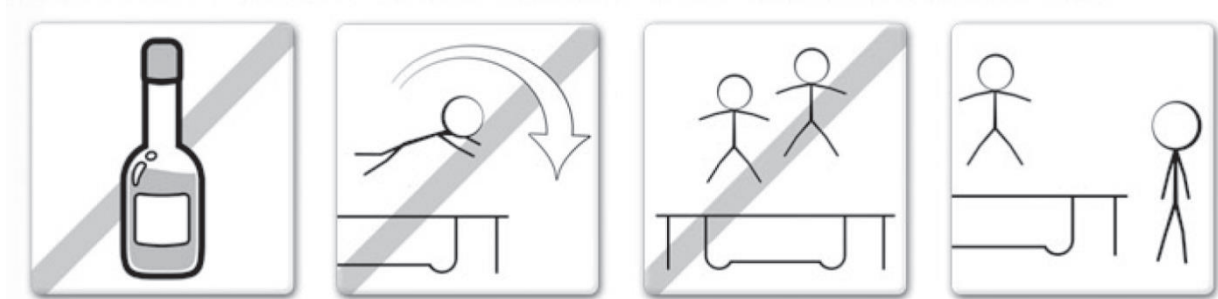
Afin de réduire le risque d'accident, le " **SUPERVISEUR** " devrait :

- Comprendre et appliquer pleinement toutes les règles et directives en matière de sécurité.
- Donner des conseils à l'utilisateur de trampoline et fournir des connaissances dans ce qu'ils font bien et mal pour assurer la sécurité de l'utilisateur du trampoline.
- Soyez conscient et informez l'utilisateur du trampoline de tous les avertissements de sécurité.

IMPORTANT : Si le trampoline ne peut pas être supervisé, il devrait y avoir une méthode pour le sécuriser et empêcher quiconque d'utiliser le produit jusqu'à ce que la supervision soit disponible.

● INSTRUCTIONS DE SÉCURITÉ

PRÉCAUTIONS CONSULTATIVES LORS DE L'UTILISATION DU TRAMPOLINE



- N'utilisez pas de trampoline si vous avez consommé de l'alcool ou des stupéfiants
- Vous devriez monter sur et descendre du trampoline d'une manière contrôlée et prudente. Ne sautez jamais sur ou en dehors du trampoline et n'utilisez jamais le trampoline comme un moyen de rebondir sur ou dans un autre objet.
- Toujours apprendre le rebond de base et maîtriser chaque type de rebond avant d'essayer des types plus difficiles de rebonds. Consultez la section des compétences de base pour apprendre à faire les bases.
- Pour arrêter votre rebond, fléchissez vos genoux lorsque vous atterrissez sur vos pieds.
- Gardez toujours le contrôle lorsque vous rebondissez sur le trampoline. Un saut contrôlé est quand vous atterrissez au même endroit que vous avez décollé. Si à tout moment vous vous sentez hors de contrôle, arrêtez de rebondir immédiatement.
- Ne sautez pas ou ne rebondissez pas pendant de longues périodes de temps trop élevé pour un certain nombre de sauts. Gardez les yeux sur le tapis pour garder le contrôle. Si vous ne le faites pas, vous pourriez perdre l'équilibre.
- N'avez jamais plus d'une personne sur le trampoline à la fois.

PRÉCAUTIONS CONSULTATIVES TOUT EN SUPERVISANT LE TRAMPOLINE

IMPORTANT : Informez-vous bien des sauts de base et les règles de sécurité. Pour prévenir et réduire le risque de blessures, veillez à ce que toutes les règles de sécurité sont appliquées et les nouveaux utilisateurs apprennent les rebonds de base avant d'essayer des techniques plus avancées.

- **TOUS les UTILISATEURS doivent être surveillés, quel que soit leur niveau de compétence ou leur âge.**
- N'utilisez jamais le trampoline lorsqu'il est mouillé, endommagé, sale ou usé. Le trampoline doit être inspecté avant utilisation.
- Gardez tous les objets qui pourraient interférer pendant l'utilisation loin du trampoline à tout temps. Soyez conscient de ce qui est au-dessus, en dessous et autour du trampoline.
- Pour éviter une utilisation non supervisée et non autorisée, le trampoline doit être sécurisé en tout temps.

● CLASSIFICATION ET IDENTIFICATION



MONTAGE ET DÉMONTAGE :

Soyez très prudent lorsque vous montez et descendez du trampoline. NE montez PAS le trampoline en saisissant le tampon de cadre, en marchant sur les ressorts ou en sautant sur le tapis du trampoline à partir d'un objet (par exemple. Une terrasse, un toit ou une échelle). Cela est considéré comme très dangereux. NE descendez PAS en sautant du trampoline et en atterrissant au sol. Si de jeunes enfants jouent sur le trampoline, ils peuvent avoir besoin d'aide pour monter et descendre.



CONSOMMATION D'ALCOOL OU DE DROGUES :

NE consommez PAS d'alcool ni prenez des médicaments (*ce qui comprend des médicaments qui pourrait affecter la coordination des utilisateurs*) lors de l'utilisation de ce trampoline. Ceci est considéré comme très dangereux puisque ces substances étrangères altèrent vos jugements, le temps de réaction et la coordination physique globale.



UTILISATEURS MULTIPLES :

Si vous avez plusieurs utilisateurs (plus d'une personne sur le trampoline à la fois), vous augmentez les risques de blessure. Des blessures peuvent survenir lorsque vous vous envollez du trampoline, perdez le contrôle, entrez en collision avec d'autres joueurs ou que vous atterrissez sur les sources.



FRAPPER LE CADRE DE RESSORT :

Lorsque vous jouez sur le trampoline, restez au centre du tapis de trampoline. Cela réduira le risque de blessures en atterrissant sur le cadre printanier. Gardez toujours les coussins de cadre couvrant le cadre du trampoline. NE sautez PAS ni montez directement sur le coussin de cadre, car il n'est pas destiné à supporter le poids d'une personne.



PERTE DE CONTRÔLE :

NE tentez PAS les manœuvres difficiles jusqu'à ce que vous ayez maîtrisé les bases. Si vous ne suivez pas ces lignes directrices, vous augmentez le risque de blesser autrui.

MOVING INSTRUCTIONS

- Assurez-vous que le trampoline est placé sur un sol plat. Les surfaces inégales du sol peuvent entraîner le gauchissement du cadre du trampoline.
- Assurez-vous que tous les boulons qui maintiennent les joints du cadre sont complètement serrés avant d'installer les ressorts.

Si cela n'est pas fait correctement, le cadre se déformera.

- NE PAS utiliser sa jambe pour pousser contre le pied ou le cadre du trampoline lors du chargement des ressorts.

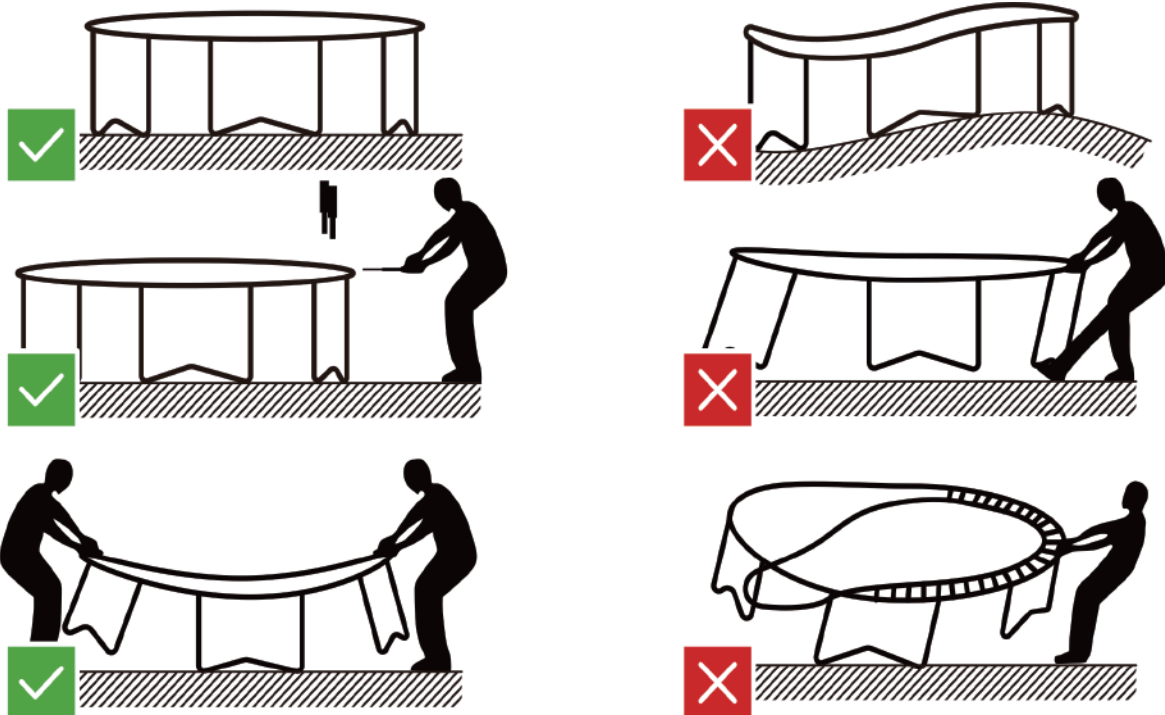
Cela entraînerait le gauchissement du trampoline.

- NE PAS charger les ressorts sur le cadre d'un seul côté du trampoline. Une distribution inégale de la tension des ressorts entraînera le gauchissement du cadre.

• Si le cadre du trampoline se déforme, ne vous inquiétez pas car le système "Quad-lock" est conçu pour être flexible. Appuyez sur la partie du cadre qui s'est déformée en faisant appel à deux personnes comme indiqué. Le cadre reviendra à la normale.

• Déplacement du trampoline. Si le trampoline et l'enceinte doivent être déplacés, ils doivent être déplacés par deux personnes au moins, maintenus à l'horizontale et légèrement soulevés. Si nécessaire, le trampoline et sa toile peuvent être démontés pour être déplacés. Pour démonter le trampoline, suivez les étapes de montage dans l'ordre inverse.

• Si vous devez déplacer le trampoline, faites appel à deux personnes au moins. Tous les points de connexion doivent être enveloppés et fixés avec du ruban adhésif résistant aux intempéries, comme du ruban adhésif en toile. Cela permettra de garder le cadre intact pendant le déplacement et empêchera les points de connexion de se disloquer et de se séparer. Lors du déménagement, soulevez légèrement le trampoline du sol et maintenez-le à l'horizontale par rapport au sol. Pour tout autre type de déménagement, vous devez démonter le trampoline.

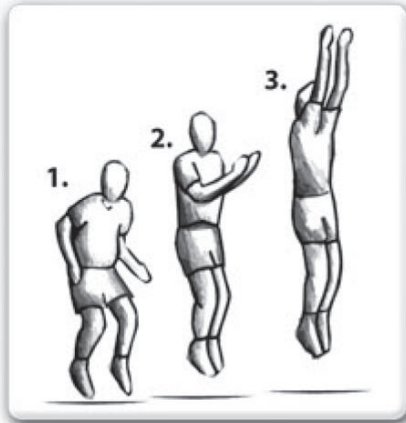


AVERTISSEMENT

2 adultes en bonne condition physique sont nécessaires pour le montage suivant. Portez des chaussures adéquates et maintenez votre équilibre pour éviter de tomber. Si vous ne suivez pas exactement toutes les instructions et tous les avertissements, vous risquez de vous blesser gravement.

● COMPÉTENCES DE BASE

COMPÉTENCE DE BASE 1: Rebond de base



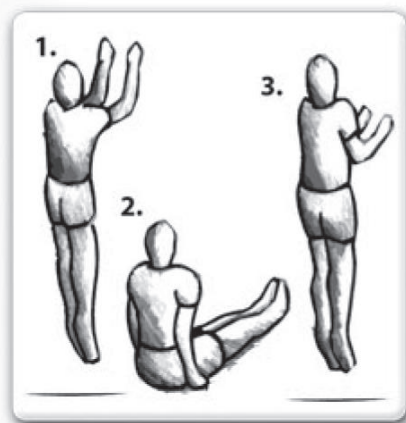
- Commencez par une position debout, avec des pieds à la largeur des épaules la tête vers le haut et les yeux sur le lit de trampoline.
- Balancez les bras vers l'avant et vers le haut au-dessus de la tête dans un mouvement circulaire.
- Rassemblez les jambes et les pieds en position « mi-air » et pointez les orteils.
- Atterrir sur le tapis avec les pieds écartés à la largeur des épaules (comme la position de départ).
- Pourquoi ne pas essayer de passer à la compétence suivante une fois confortable et compétent.

COMPÉTENCE DE BASE 2: Chute du genou

- Début par un faible rebond de base (tel que détaillé dans COMPÉTENCE DE BASE 1).
- Atterrissez sur les genoux à la largeur des épaules, en gardant le dos droit et une position solide du corps en utilisant les bras sur le côté ou devant pour maintenir l'équilibre.
- Rebondissez à la position de rebond de base en utilisant l'élan de rebond et les balançant les bras au-dessus de la tête.
- Une fois maîtrisé à cette hauteur essayez de rebondir un peu plus haut, mais n'oubliez pas de toujours garder le contrôle de votre hauteur.



COMPÉTENCE DE BASE 3 : chute de siège



- Début par un faible rebond de base (COMPÉTENCE DE BASE 1) en position normale.
- Atterrissez avec les jambes tout droit devant vous, avec les mains de chaque côté de vos hanches et le dos droit dans une position de corps forte.
- Utilisez l'élan de rebond aidé avec une poussée des mains pour revenir à une position debout.
- Une fois maîtrisé à cette hauteur essayer de rebondir un peu plus haut, mais n'oubliez pas de toujours garder le contrôle de votre hauteur.

IMPORTANT : Veuillez consulter un instructeur de trampoline qualifié avant de tenter des compétences plus avancées pour s'assurer que les niveaux de sécurité les plus élevés possibles sont maintenus.

● COMPÉTENCES AVANCÉES

COMPÉTENCE AVANCEE 1: Rebond de base



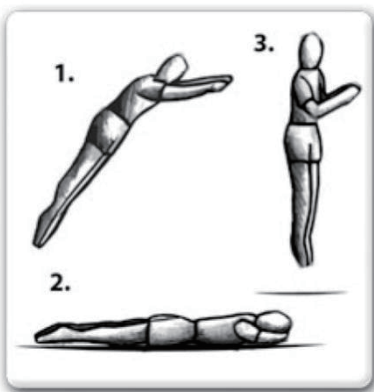
- Commencez par un faible rebond de base (COMPÉTENCE DE BASE 1) en position normale.
- Atterrissez sur vos mains et vos genoux en même temps, veillez à ce que le dos est horizontal par rapport au tapis de rebond et que les mains et les jambes sont également à la largeur des épaules.
- Utilisez l'élan de rebond et poussez les mains pour retrouver la position debout.
- Une fois maîtrisé à cette hauteur essayez de rebondir peu plus haut, mais n'oubliez pas de toujours garder le contrôle de votre hauteur.
- Essayez de passer à la compétence suivante une fois confortable et compétent.

COMPÉTENCE DE BASE 2 : Mains et genoux à la chute avant

- Atterrissez sur vos mains et vos genoux en même temps, veillez à ce que le dos est horizontal au tapis de rebond et les mains et les jambes sont également à la largeur des épaules.
- Maintenir une position du corps fort avec le dos horizontal au tapis et redressez les jambes derrière et plier les bras en face du visage dans les airs prêts atterrir sur le tapis en position couchée.
- Veillez à ce que l'atterrissage est fait avec tout le corps touchant le tapis en même temps.
- Écartez les mains et récupérez la position debout.
- Une fois maîtrisé à cette hauteur essayer de rebondir un peu plus haut, mais n'oubliez pas de toujours garder le contrôle de votre hauteur. Essayez de passer à la compétence suivante une fois confortable et compétent.



COMPÉTENCE AVANCEE 3: chute avant



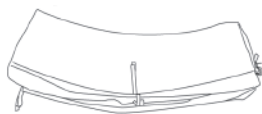
- Commencez par un faible rebond de base (COMPÉTENCE DE BASE 1) en position normale.
- Maintenir une position du corps fort avec le dos horizontal au tapis et redressez les jambes derrière et pliez les bras en face du visage dans les airs prêts à atterrir sur le tapis en position couchée.
- Veillez à ce que l'atterrissage est fait avec tout le corps touchant le tapis en même temps.
- Écartez les mains et récupérez la position debout.
- Une fois maîtrisé à cette hauteur essayez de rebondir peu plus haut, mais n'oubliez pas de toujours garder le contrôle de votre hauteur.

IMPORTANT : Si vous souhaitez progresser plus loin et apprendre des techniques plus avancées pour le trampoline, veuillez consulter un instructeur qualifié et inscrit.

① x 1



② x 1



③ x 6



④ x 6



⑤ x 6



⑥ x 1



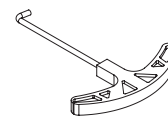
⑦ x 3



⑧ x 42



⑨ x 1



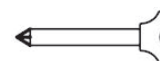
⑩ x 6



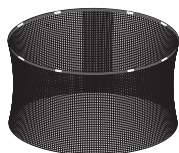
⑪ x 6



⑫ x 1



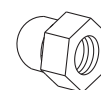
⑬ x 1



⑭ x 6
+1 (spare)

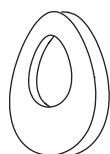


⑮ x 12
+1 (spare)



(M6)

⑯ x 12
+1 (spare)



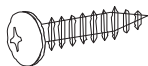
⑰ x 12



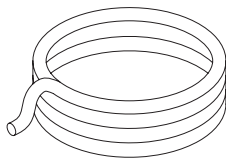
⑱ x 6
+1 (spare)



19 x 6
+1 (spare)



20 x 5



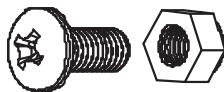
21 x 6



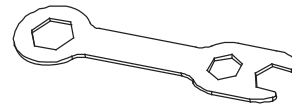
22 x 6



23 x 12
+1 (spare)



24 x 1



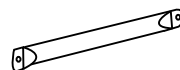
25 x 6



26 x 2

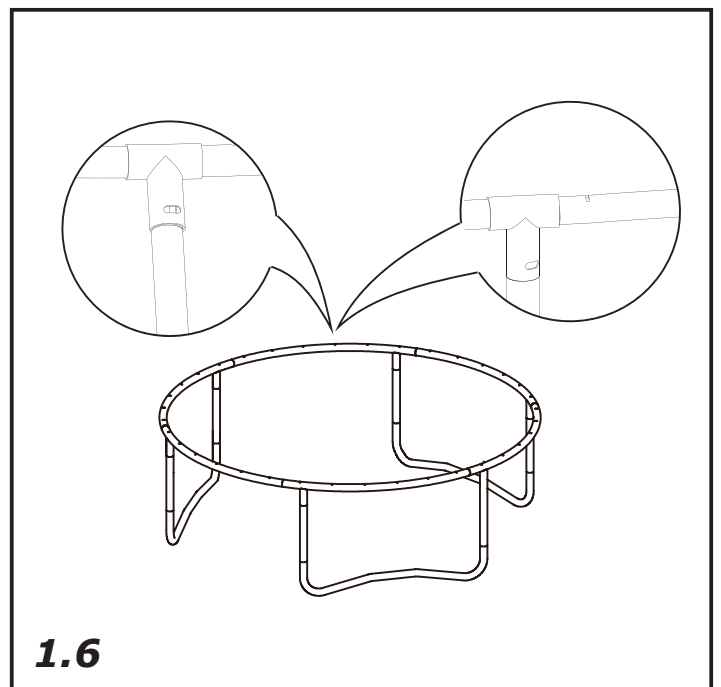
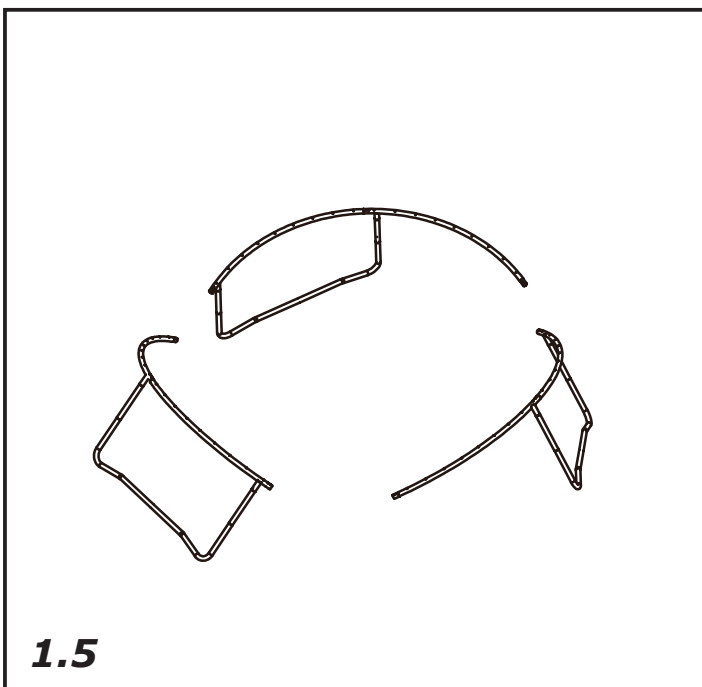
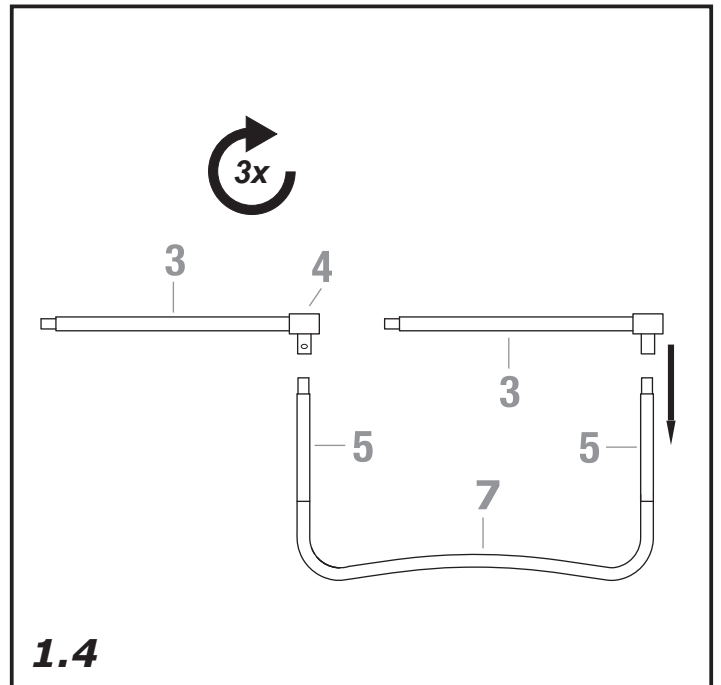
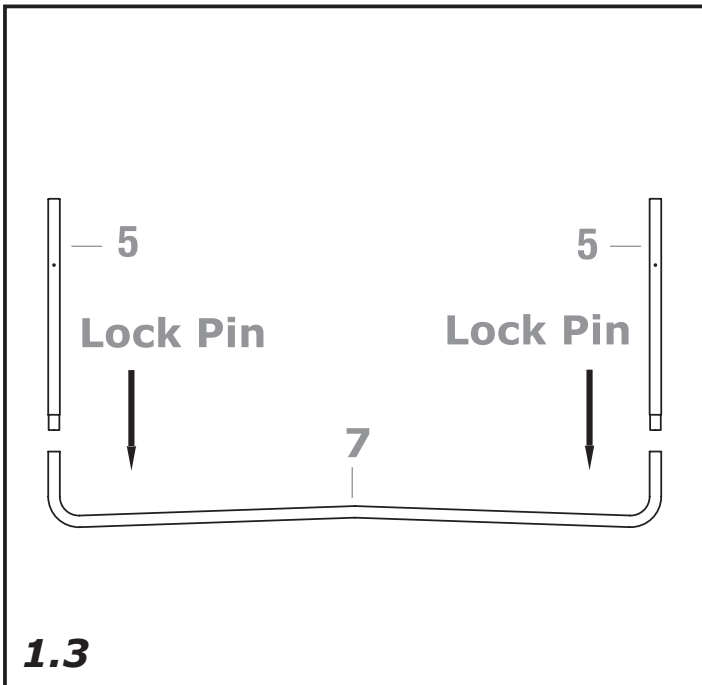
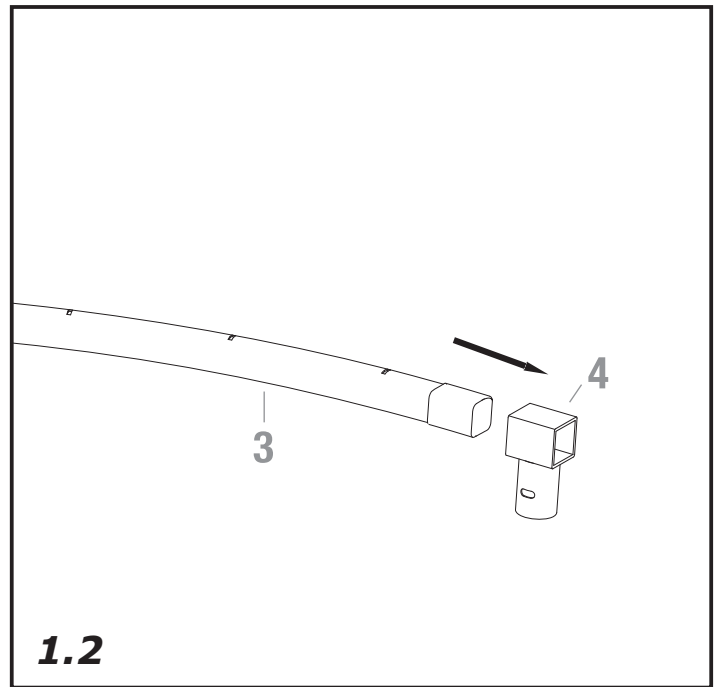
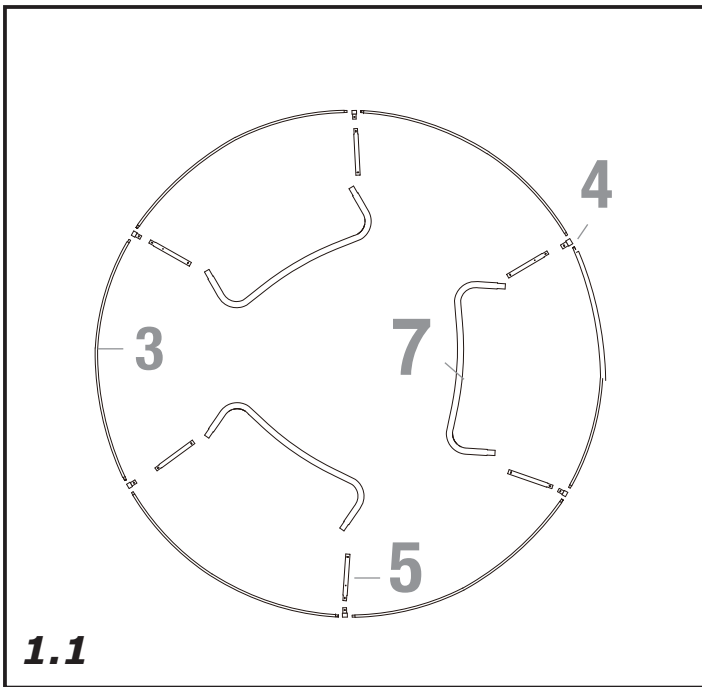


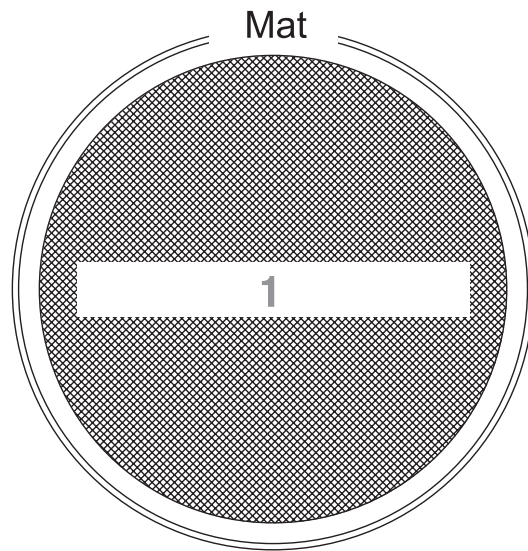
27 x 2



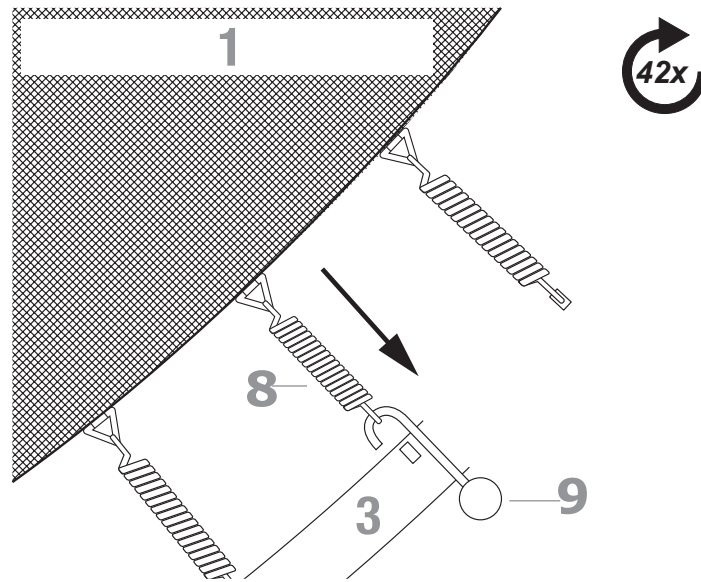
28 x 4



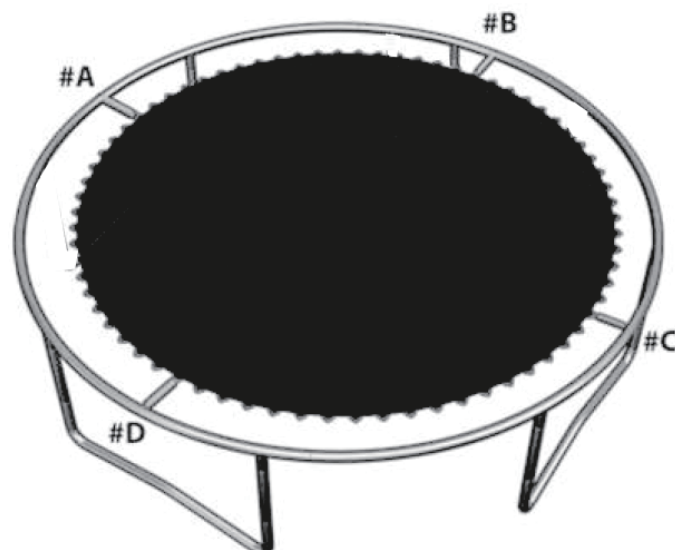




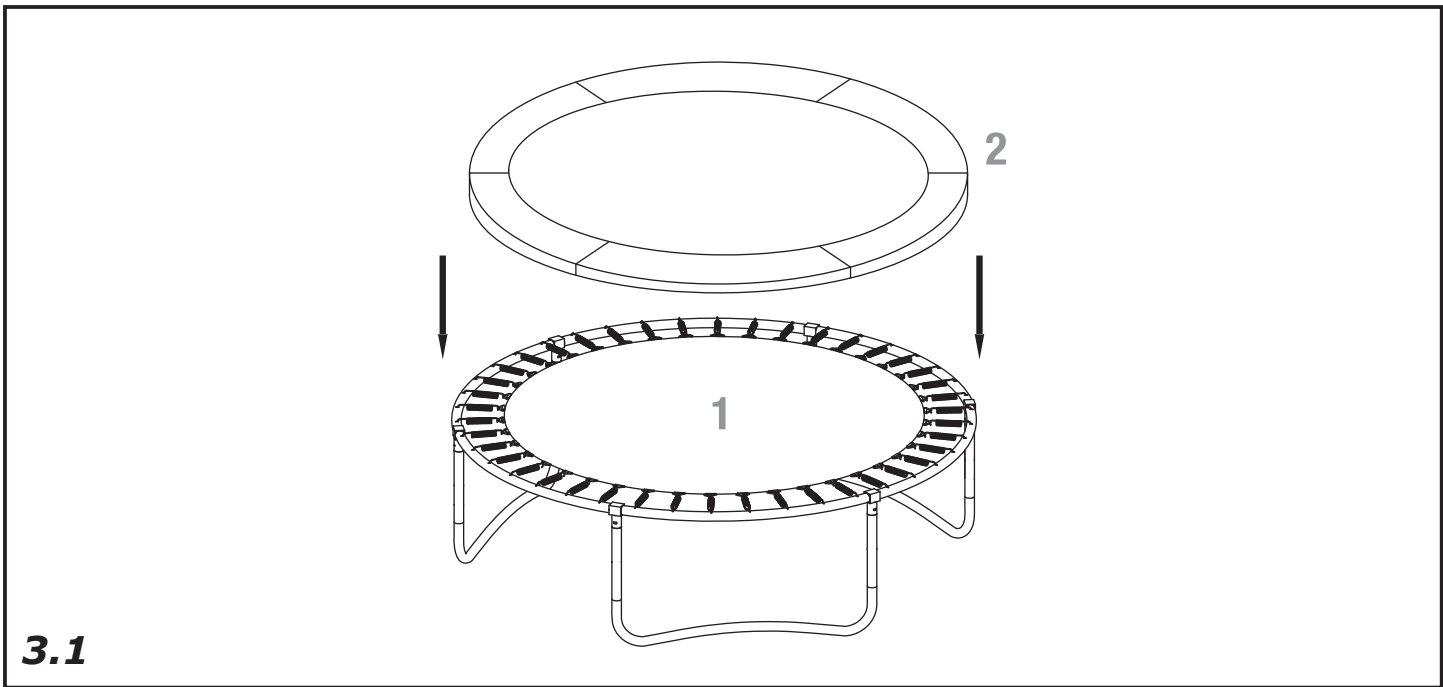
2.1



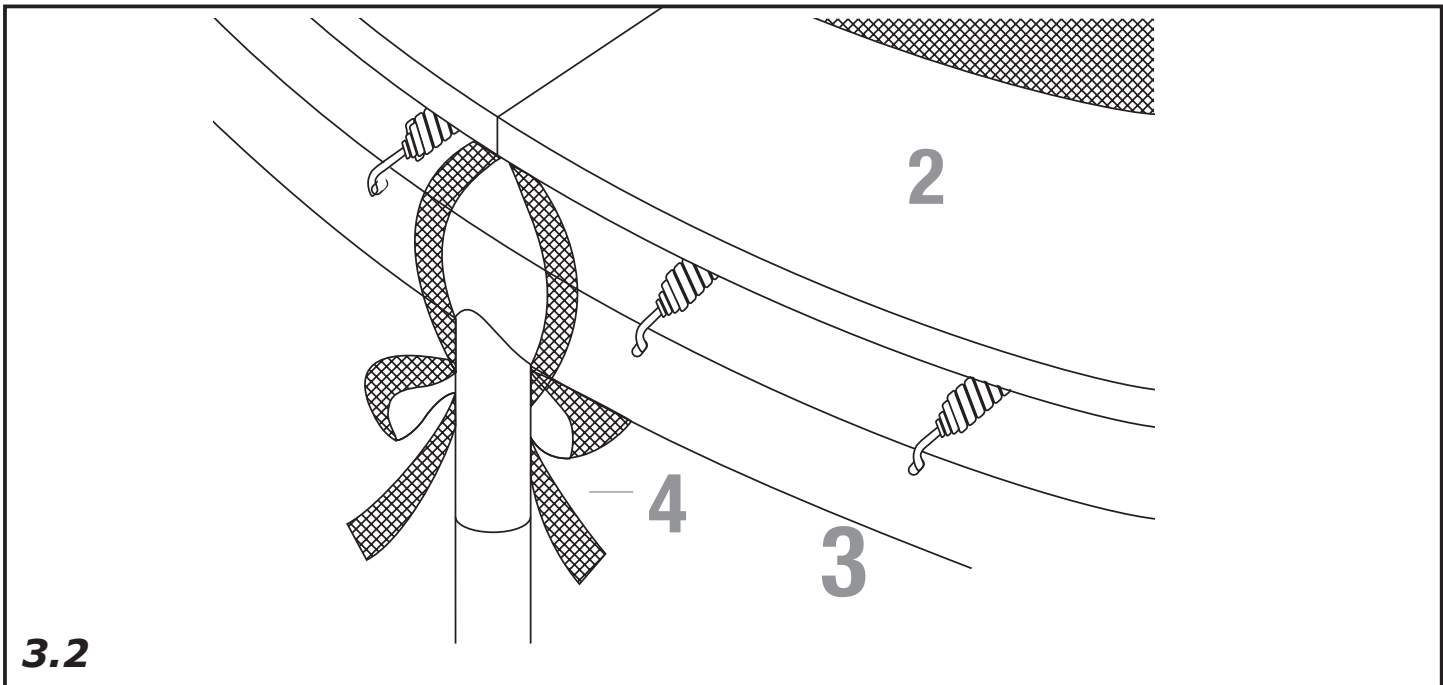
2.2.1



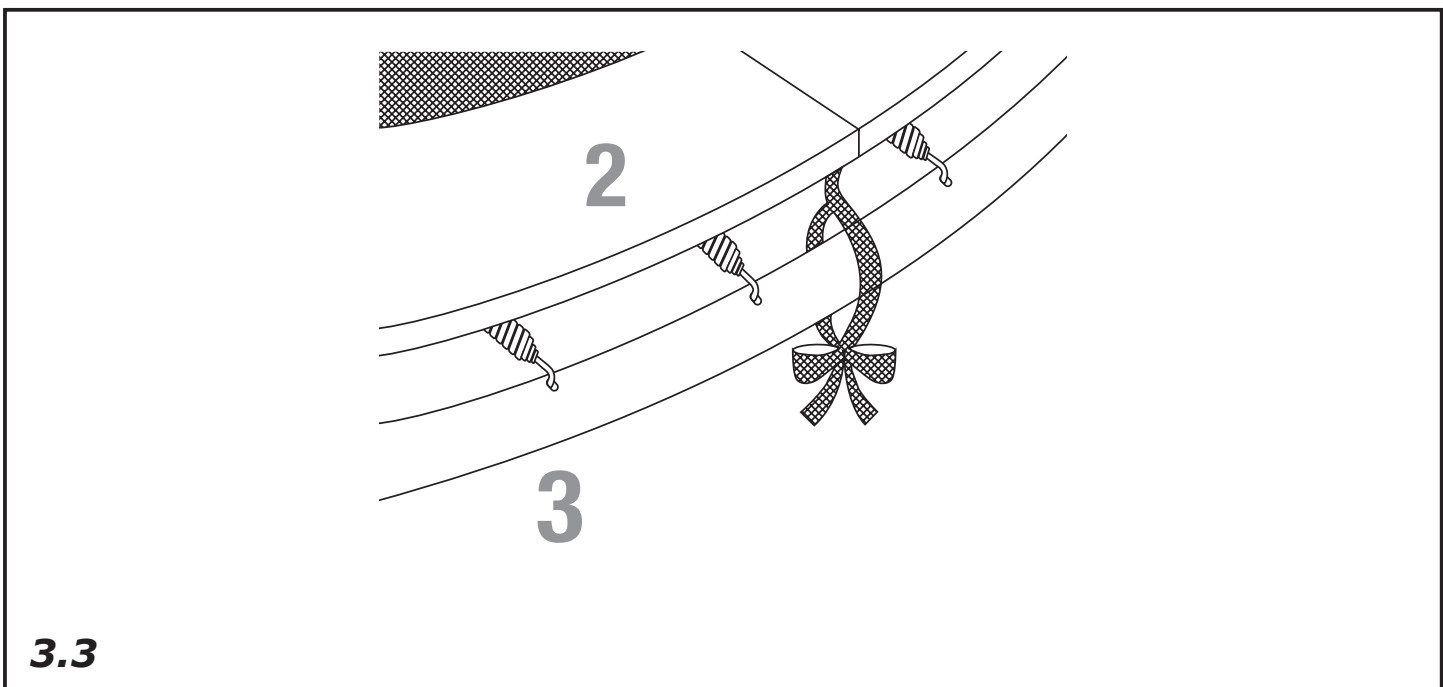
2.2.2



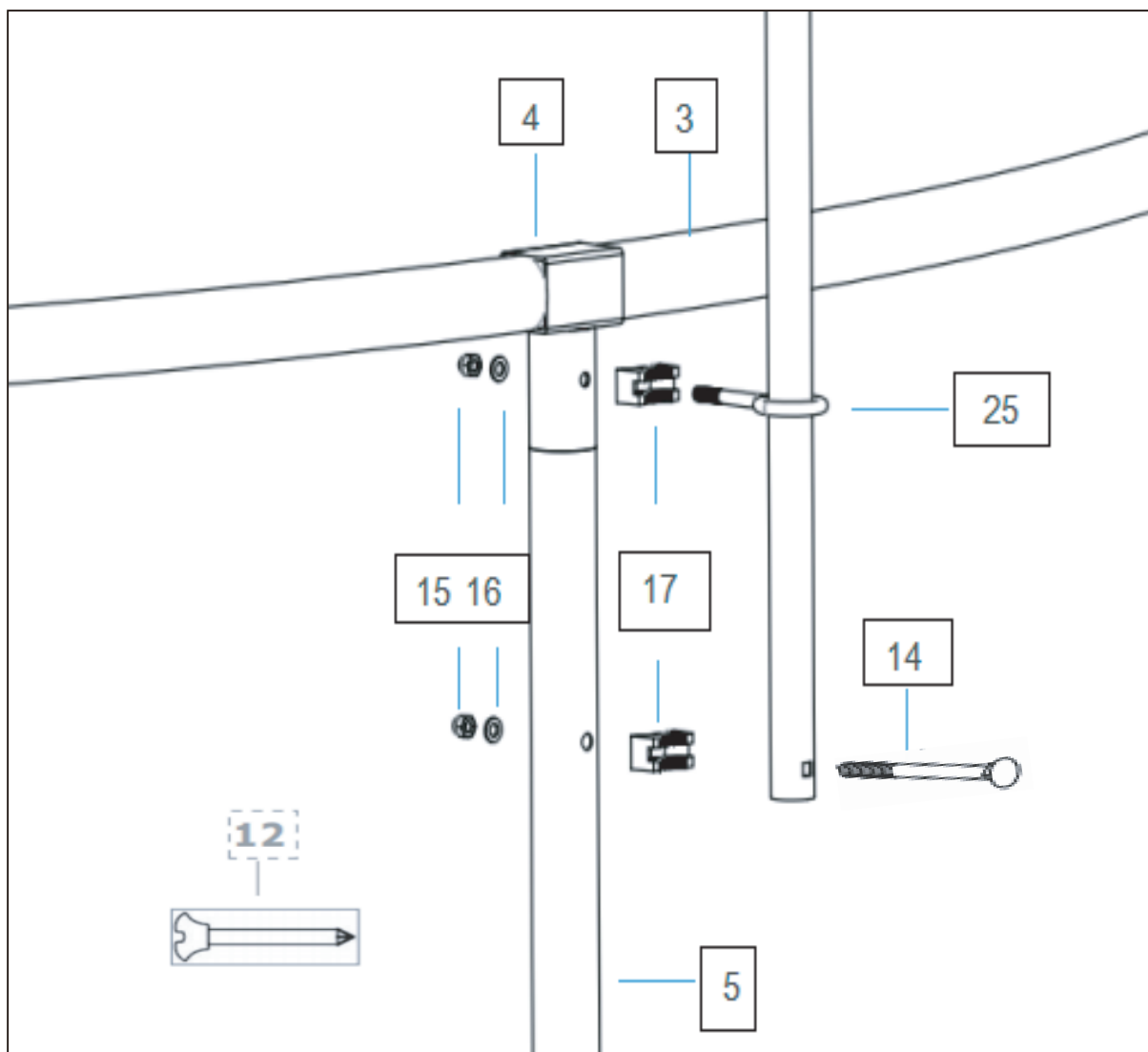
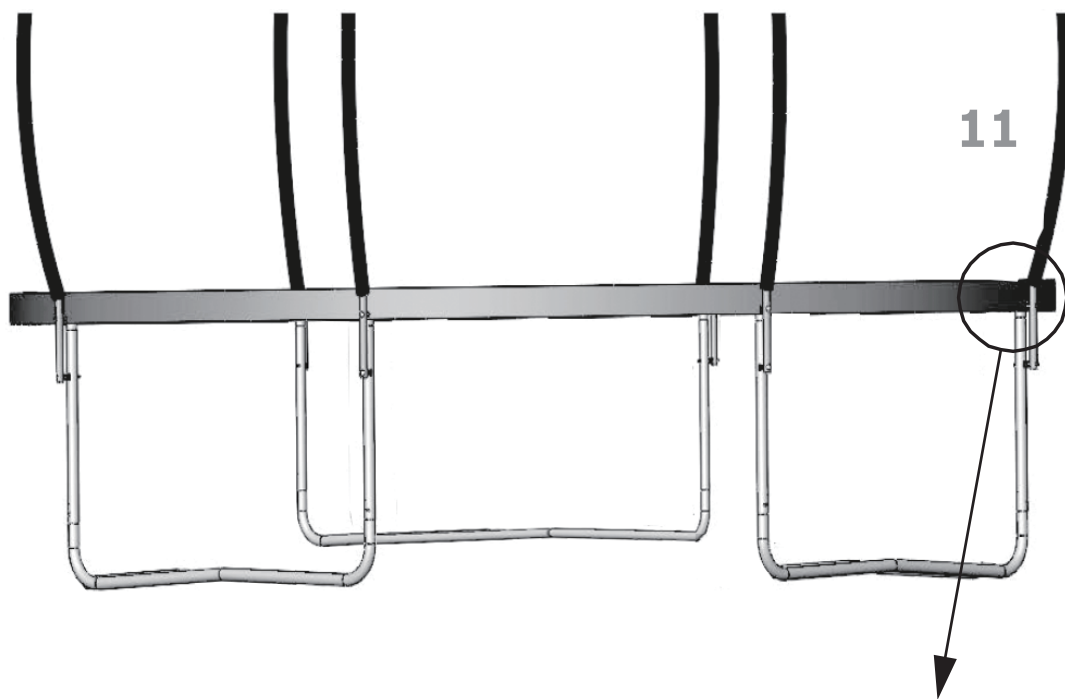
3.1

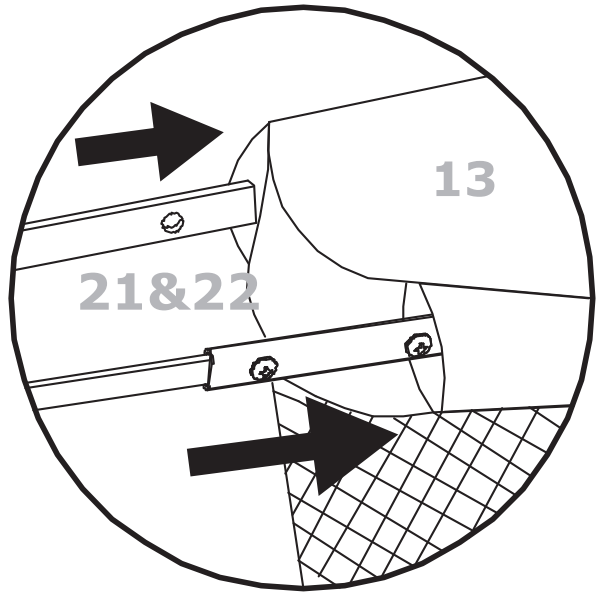
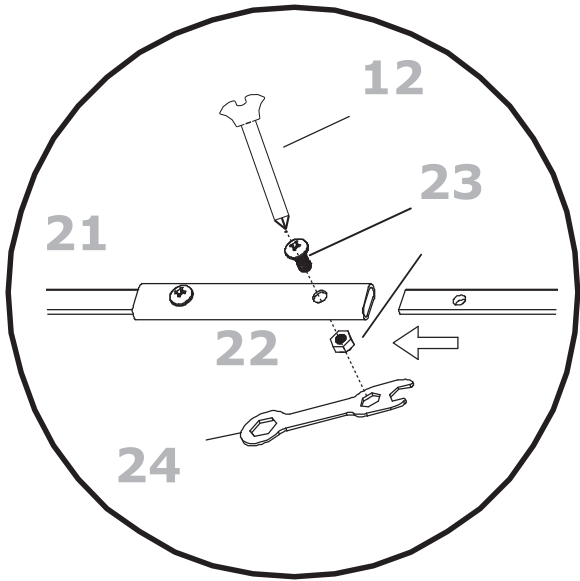


3.2

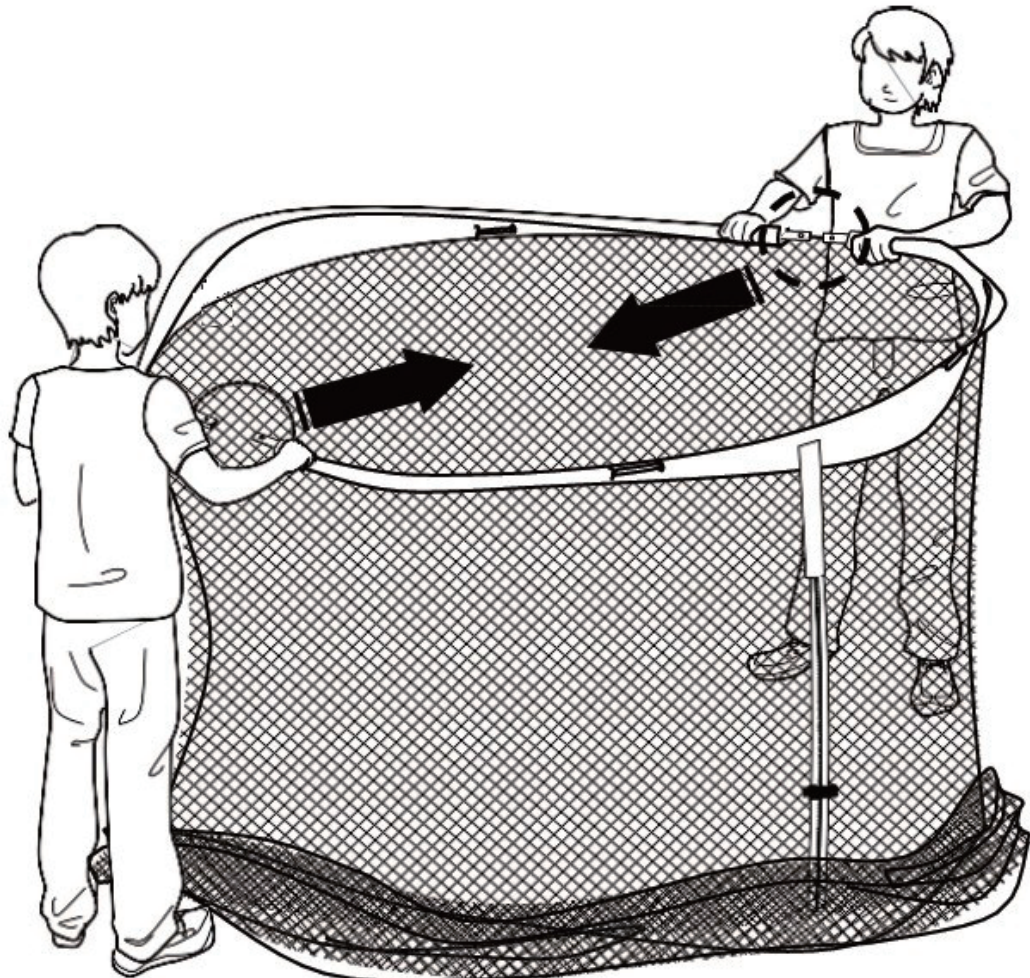
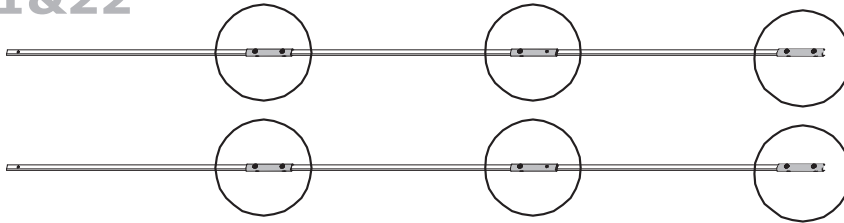


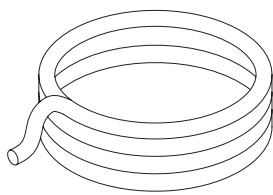
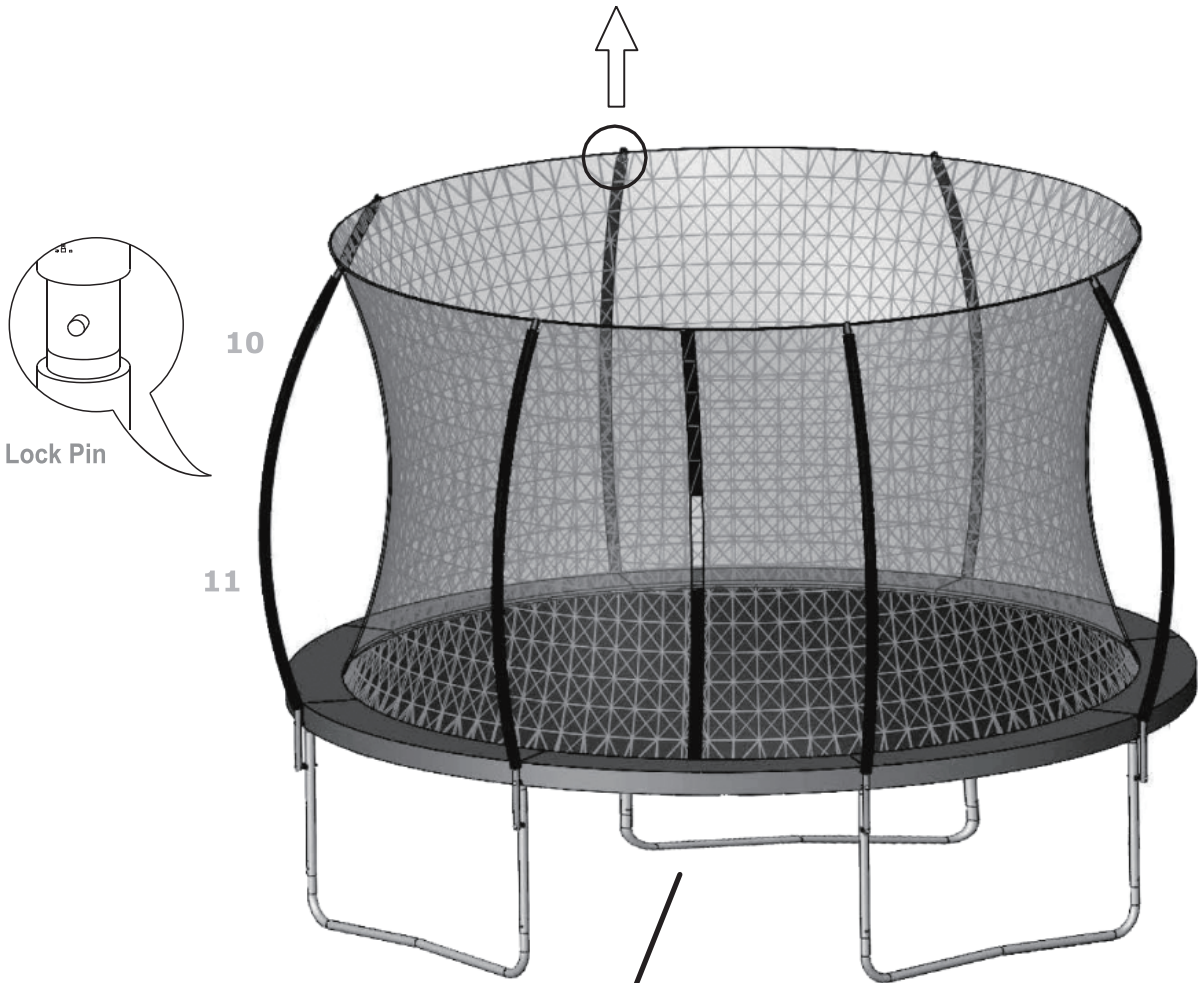
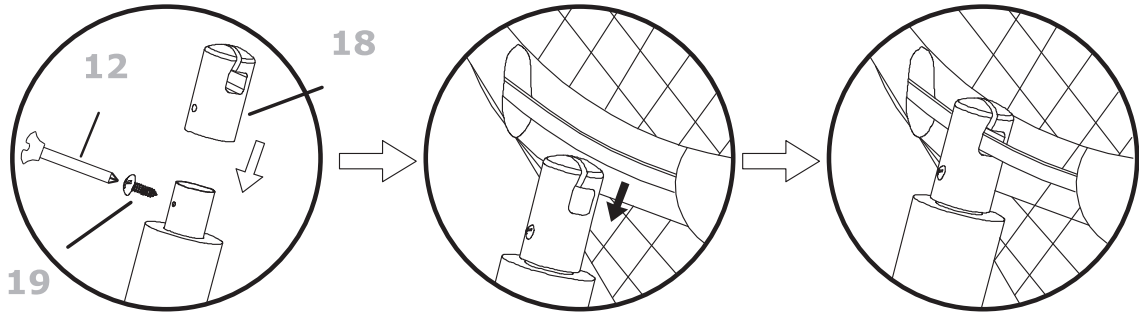
3.3



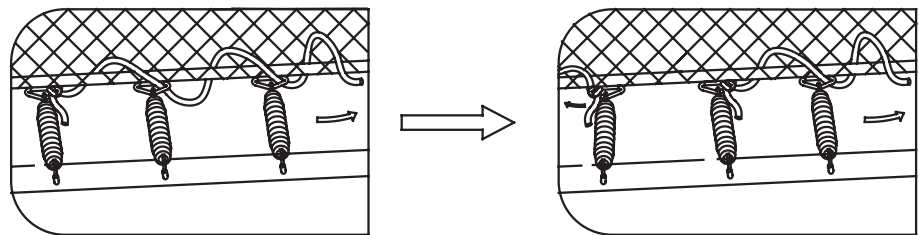


21&22





20

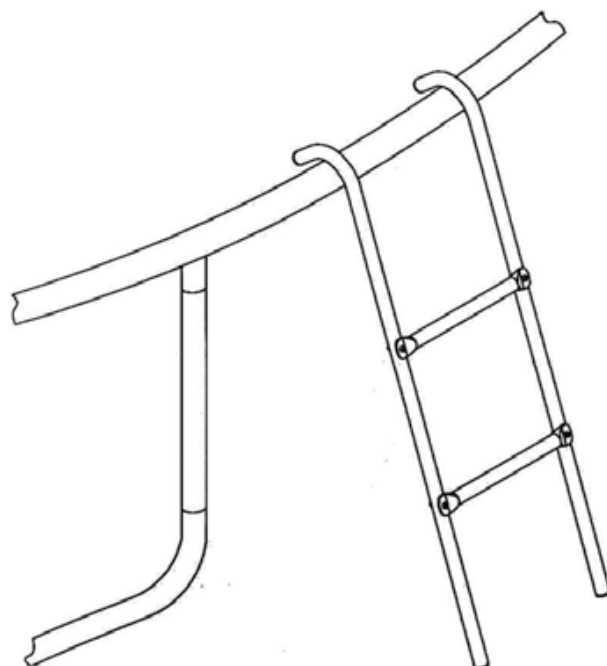
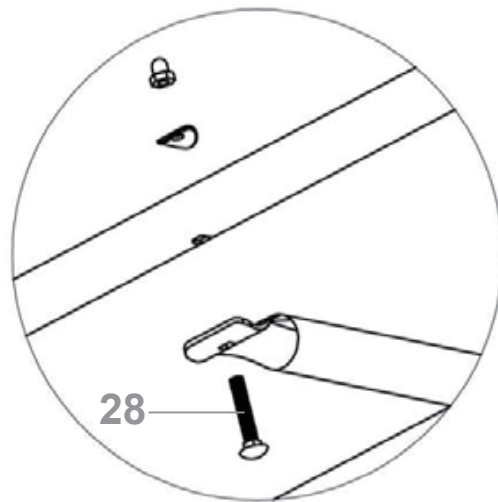
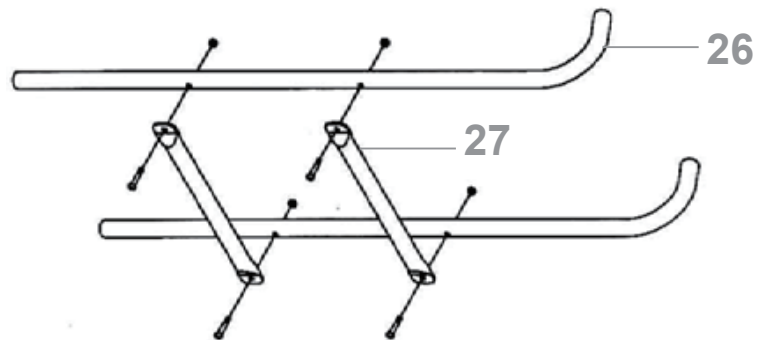


Trampoline ladder assembly

Warning: Remove the ladder while the trampoline is in use.

Assemblage de l'échelle du trampoline

AVERTISSEMENT : Retirez l'échelle pendant l'utilisation du trampoline.



US

If you have any questions, please contact our customer care center.
Our contact details are below:



001-877-644-9366



customerservice@aosom.com

Imported by Aosom LLC
27150 SW Kinsman Rd Wilsonville, OR 97070 USA
MADE IN CHINA

CA

If you have any questions, please contact our customer care center.
Our contact details are below:

Si vous avez la moindre question, veuillez contacter notre centre d'assistance à la clientèle.
Nos coordonnées sont les suivantes:



416-792-6088



customerservice@aosom.ca

Imported by Aosom Canada Inc.
7270 Woodbine Avenue, Unit 307, Markham, Ontario Canada L3R 4B9
MADE IN CHINA

Importé par Aosom Canada Inc.
7270 Woodbine Avenue, unité 307, Markham, Ontario Canada L3R 4B9
Fabriqué en Chine