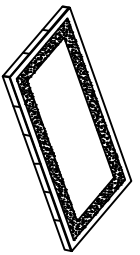
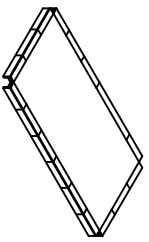


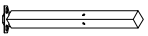
ASSEMBLY INSTRUCTION



X1



X1



X4



X1



X8



X28

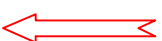
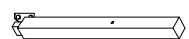
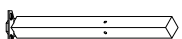
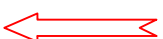
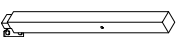
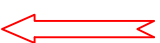
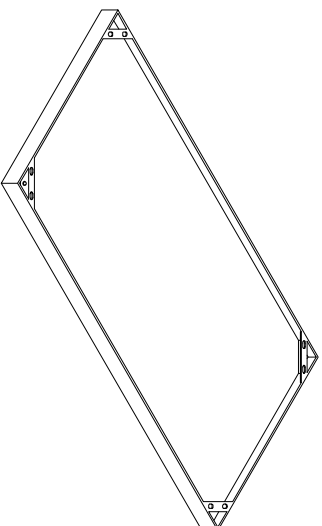


X28

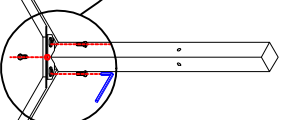
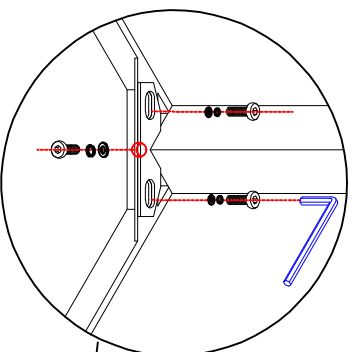
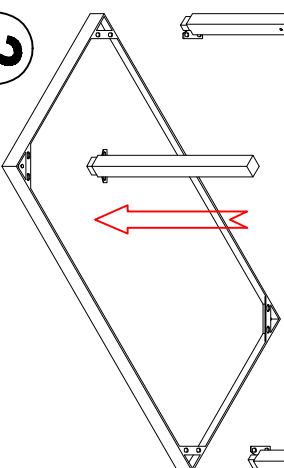


X28

1



2



3

