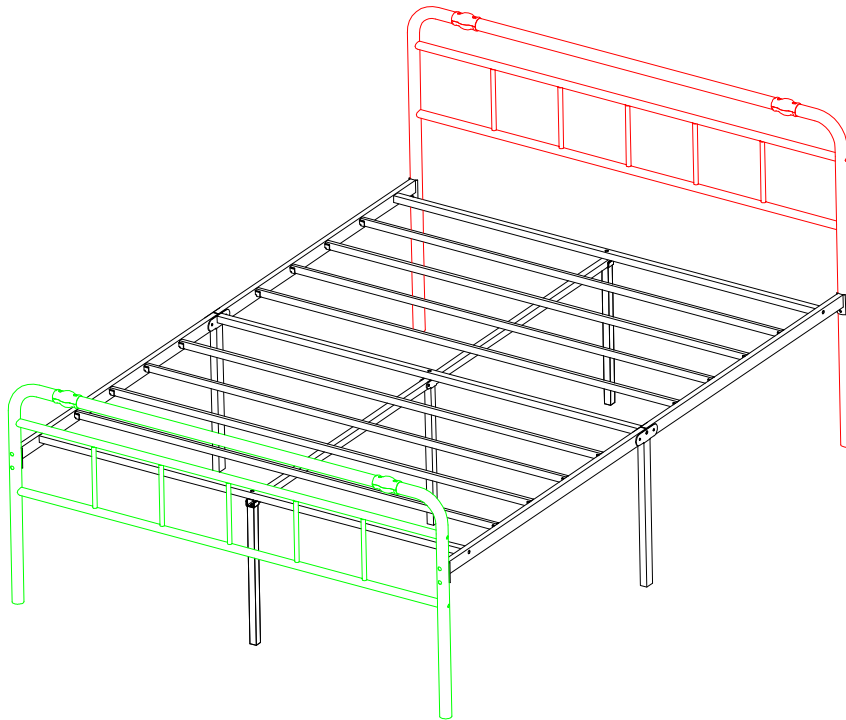


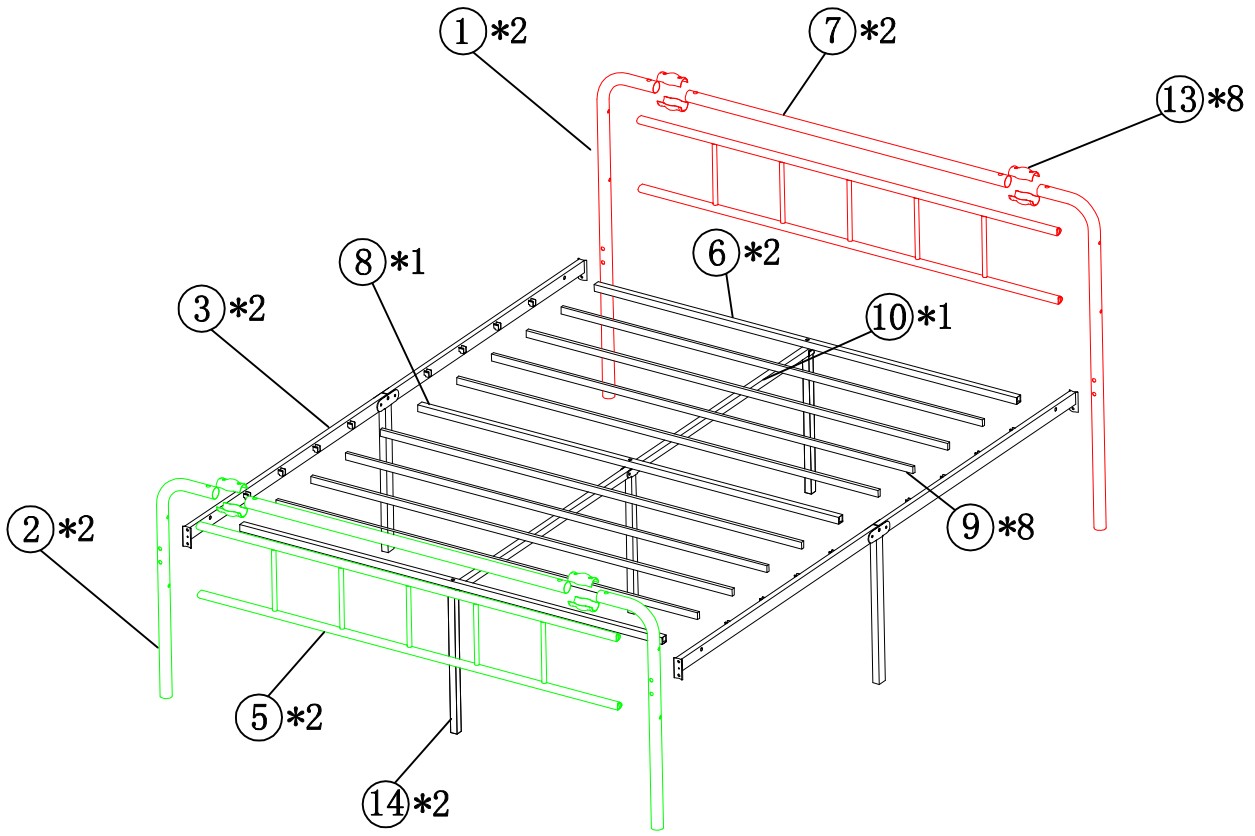
ASSEMBLY INSTRUCTION

If you have any questions about the product,
please don't hesitate to contact us.



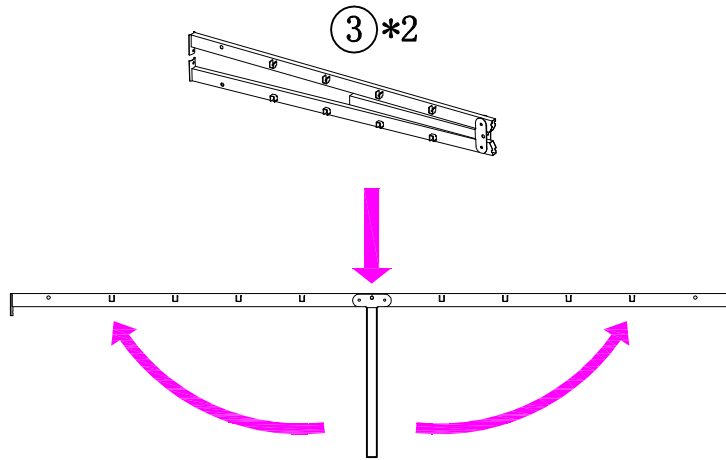
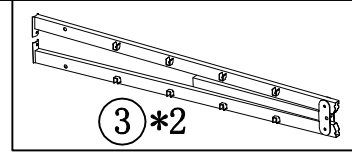
Size: Full

RHF3203

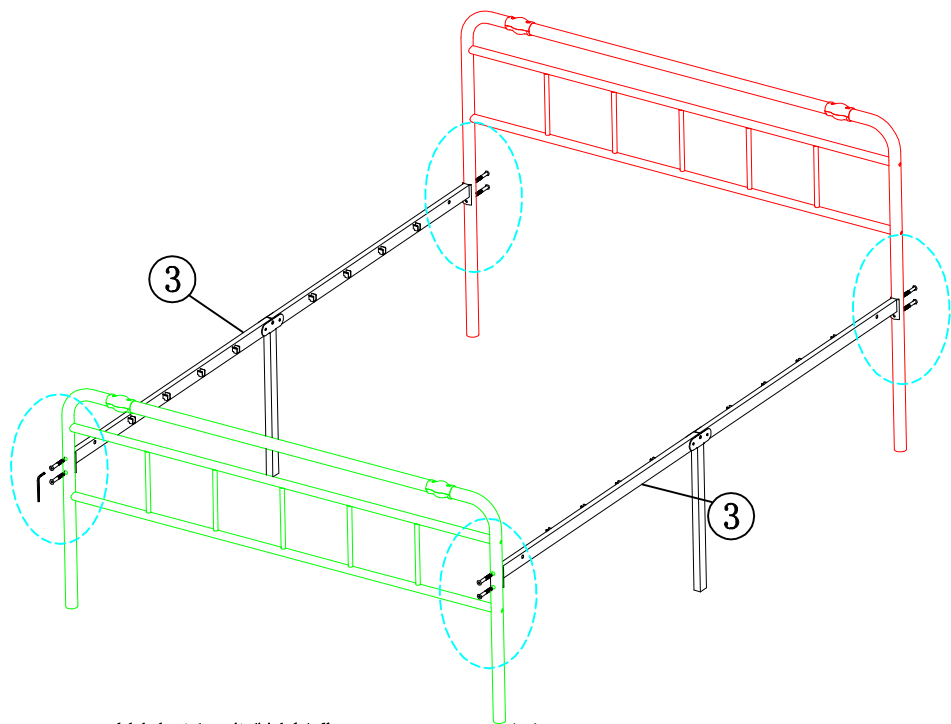
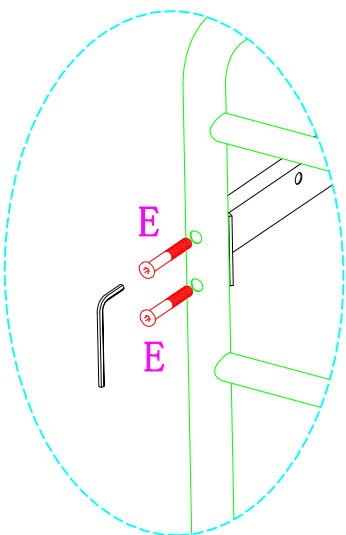
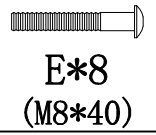


 ①*2	 ⑦*2	 ⑭*2	 F*6 (M8*35)
 ②*2	 ⑧*1	 B*8 (M8*50)	 H*3 (M8*55)
 ③*2	 ⑨*8	 C*8 (M6*28)	 K*1
 ⑤*2	 ⑩*1	 D*8 (M6)	
 ⑥*2	 ⑬*8	 E*8 (M8*40)	

Step3



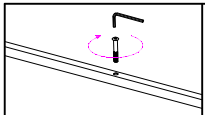
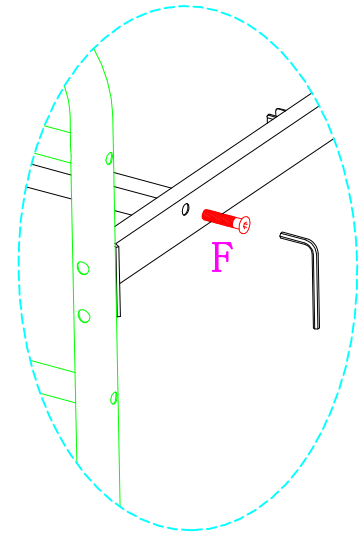
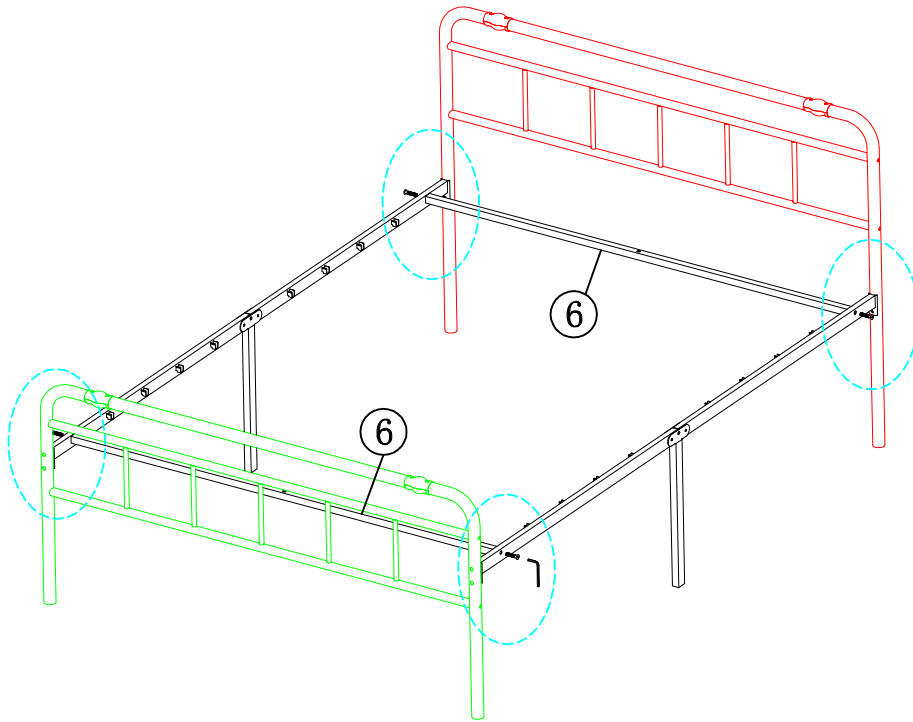
Step4




Step5

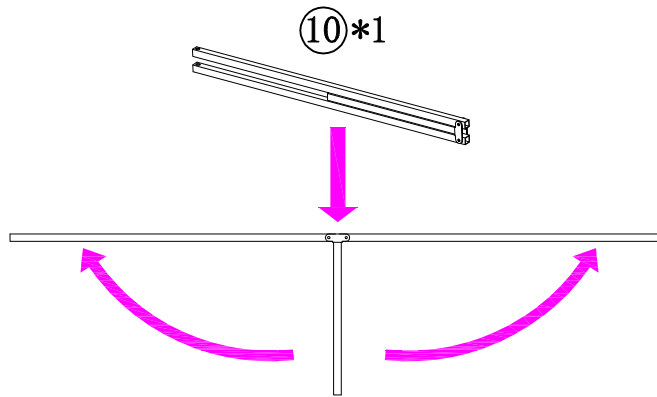
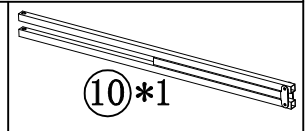


F*4
(M8*35)

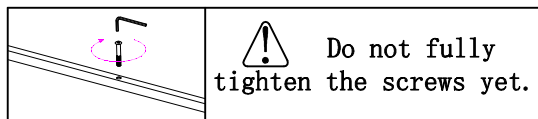
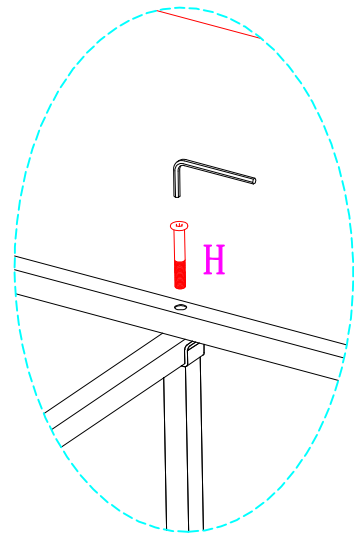
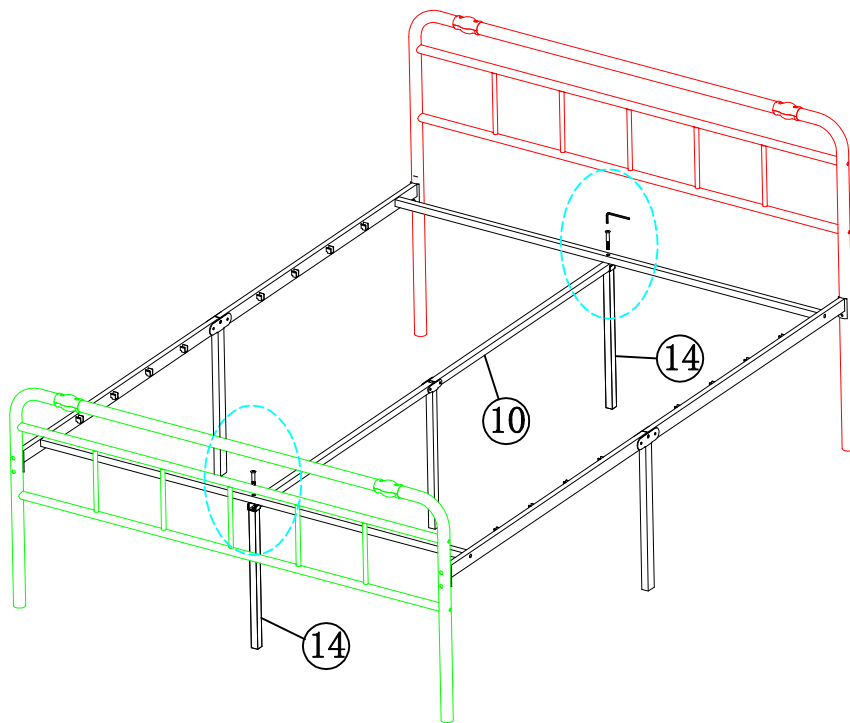
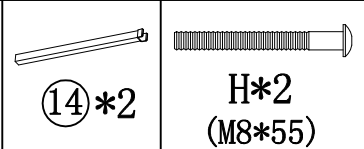


 Do not fully tighten the screws yet.

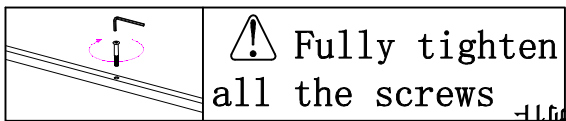
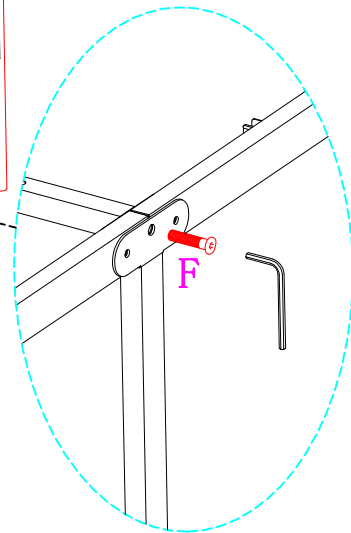
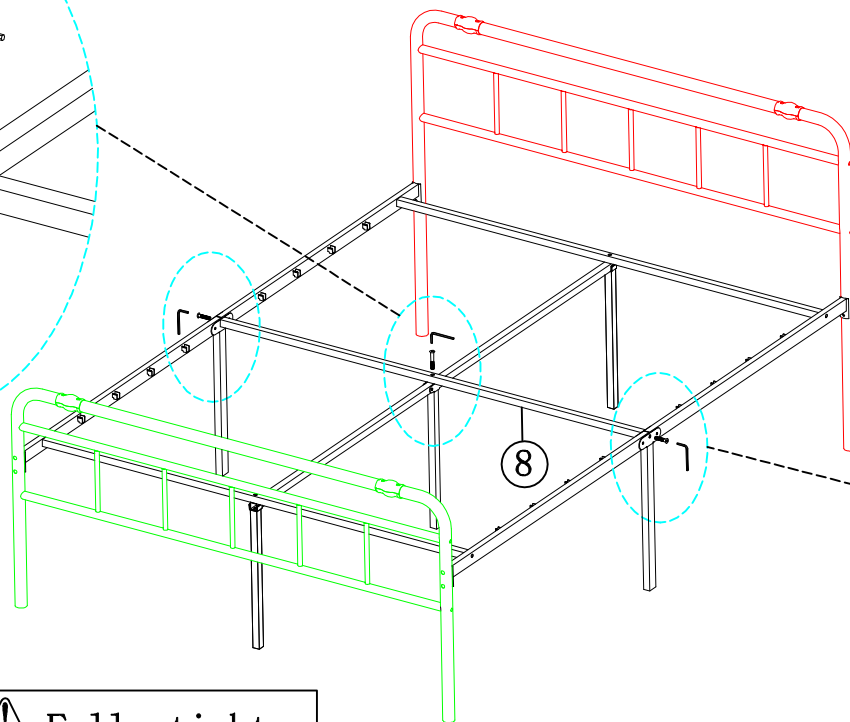
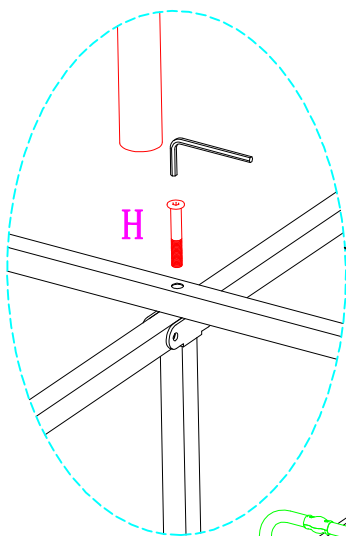
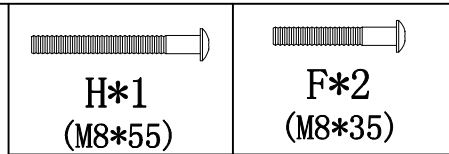
Step6



Step7

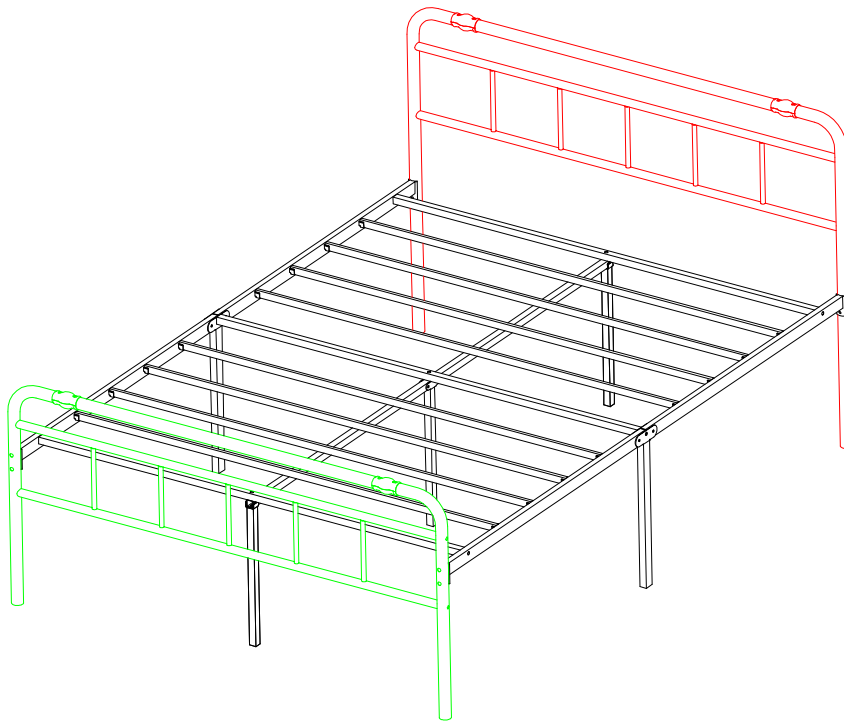
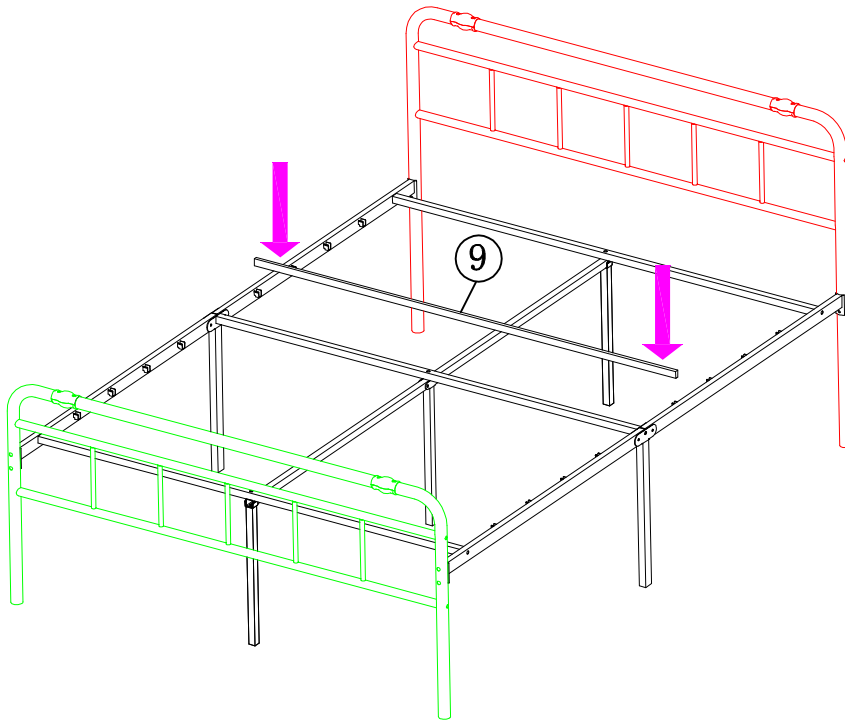
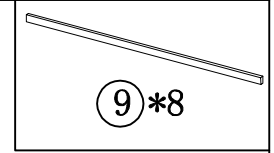


Step8



Step9

由 Autodesk 教育版产品制作



In the last step. please make sure all the screws are tightened.

由 Autodesk 教育版产品制作