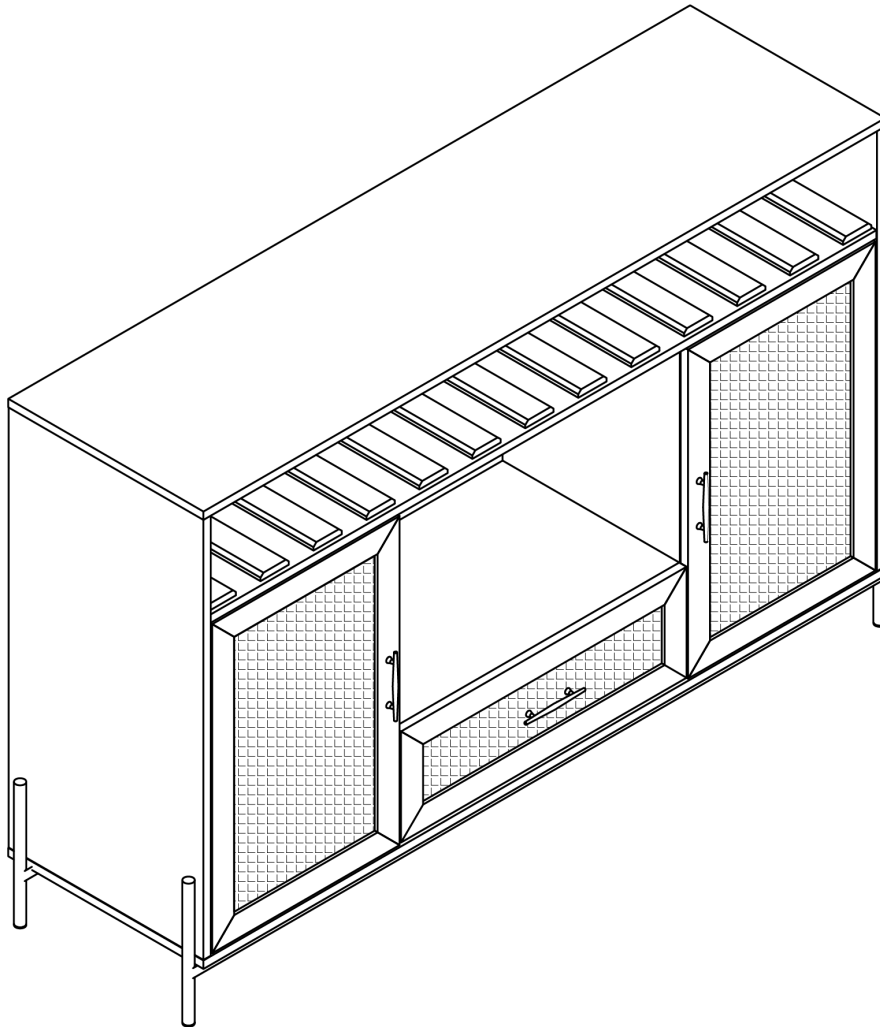


Wine Rack



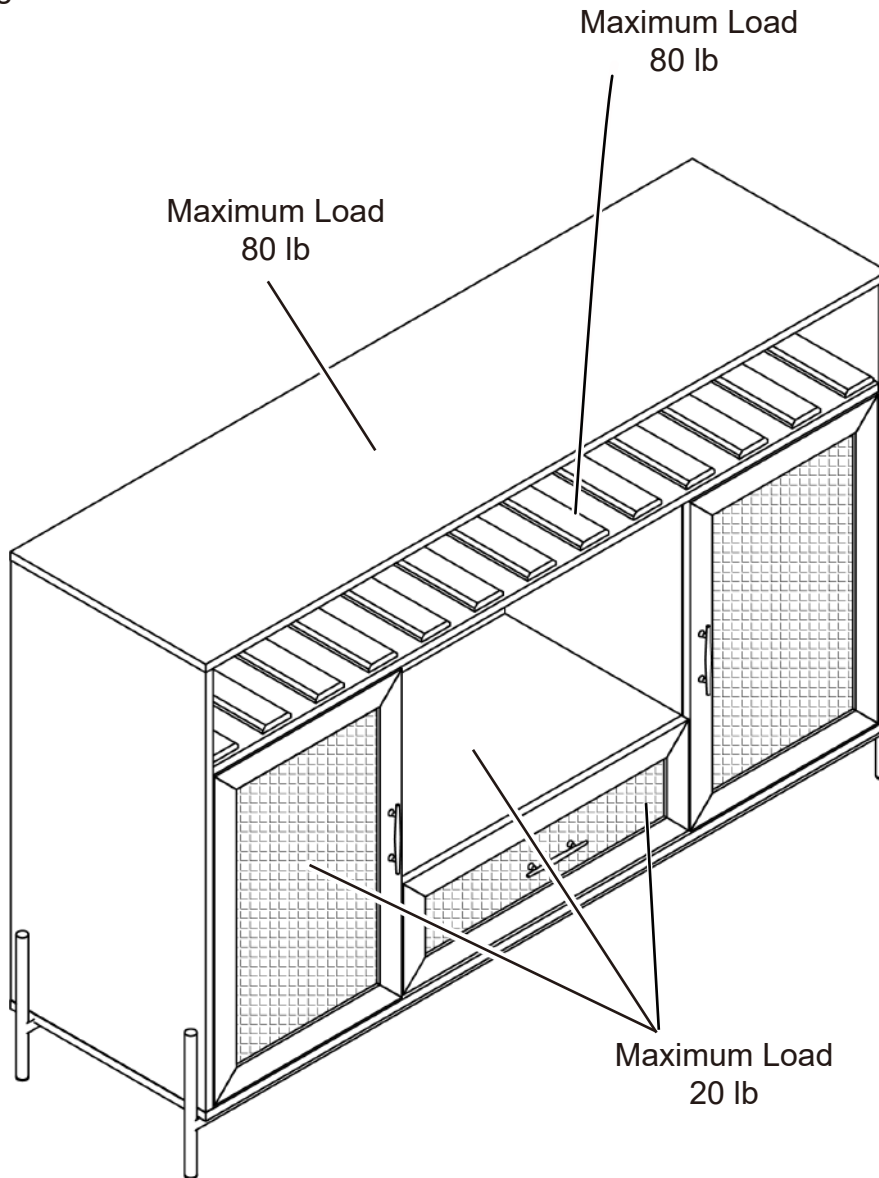


Estimated time for assembly:

90 mins



Weight limitations are as follows:





Assemble the furniture on an empty carton, carpet, or rug to prevent scratches or damage.

For safety, please keep pets and children away from the assembly area.

Ensure the product is fully assembled before use. If you are missing any hardware or products, do not use it until you have restored the missing parts.



This furniture requires 2 people for assembly.

Read this instruction manual prior to assembly to familiarize yourself with the various steps.

Lay out all components and hardware separately on a flat surface and make sure that no parts are missing or damaged before assembly. Do not destroy or discard any packaging until you are certain that you have all the necessary parts for assembly.

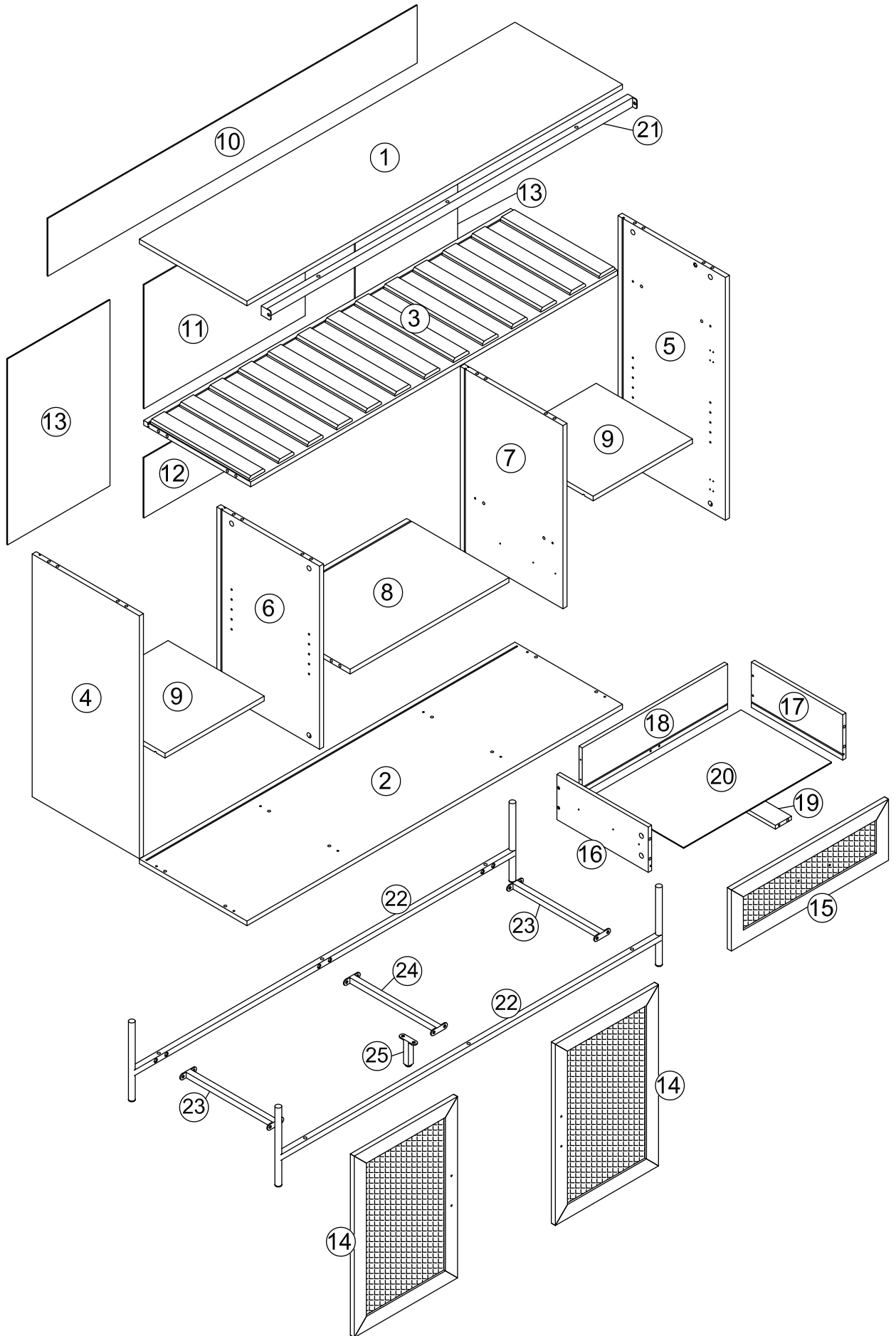
Hand tight all hardware and careful not to over tighten to avoid damaging the product.

CAUTION

There are small components used in the construction of this product. Loose items should be kept away from pets and children to avoid a choking hazard.

Keep all plastic bags and packaging film away from pets and children to avoid suffocation.

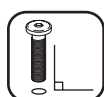
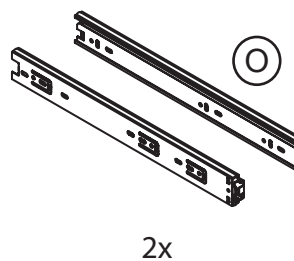
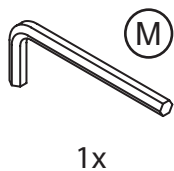
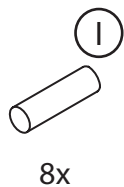
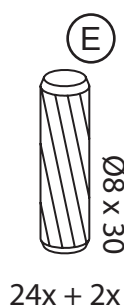
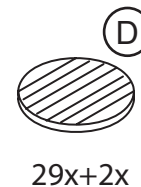
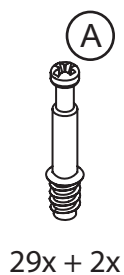
PACKAGE CONTENTS



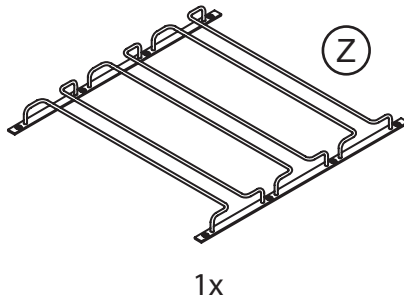
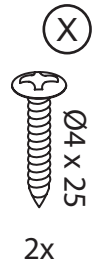
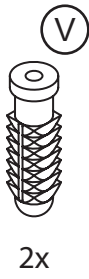
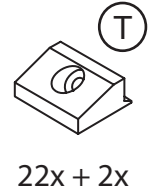
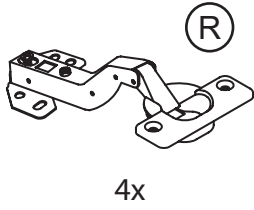
PACKAGE CONTENTS

CODE	DESCRIPTION	QTY
1	Top Panel	1
2	Bottom Panel	1
3	Center Panel	1
4	Left Lateral Panel	1
5	Right Lateral Panel	1
6	Left Medial Panel	1
7	Right Medial Panel	1
8	Center Storage Panel	1
9	Side Storage Panel	2
10	Upper Back Panel	1
11	Center Back Panel	1
12	Bottom Back Panel	1
13	Side Back Panel	2
14	Cabinet Door	2
15	Drawer Front Panel	1
16	Drawer Left Panel	1
17	Drawer Right Panel	1
18	Drawer Back Panel	1
19	Drawer Support Strip	1
20	Drawer Bottom Panel	1
21	Top Crossbar	1
22	Leg	2
23	Leg Connection Bar	2
24	Support Leg Connection Bar	1
25	Support Leg	1

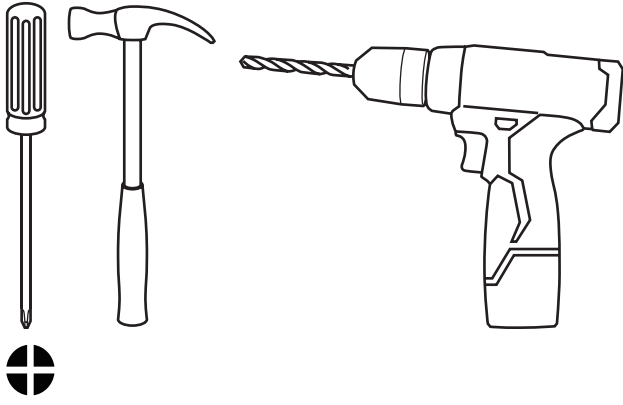
PACKAGE CONTENTS



Install all hardware perpendicular to the opening.

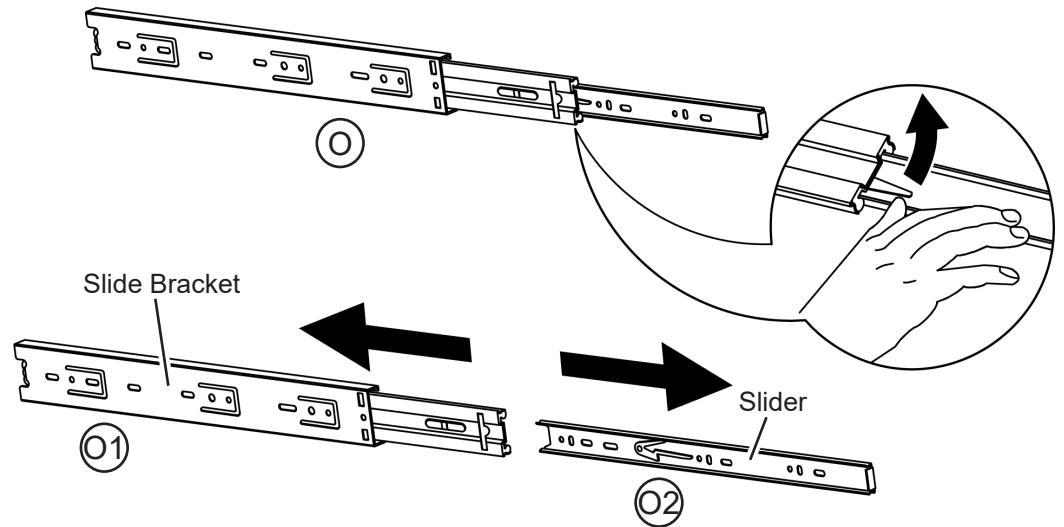


Required tools for assembly (Not included)



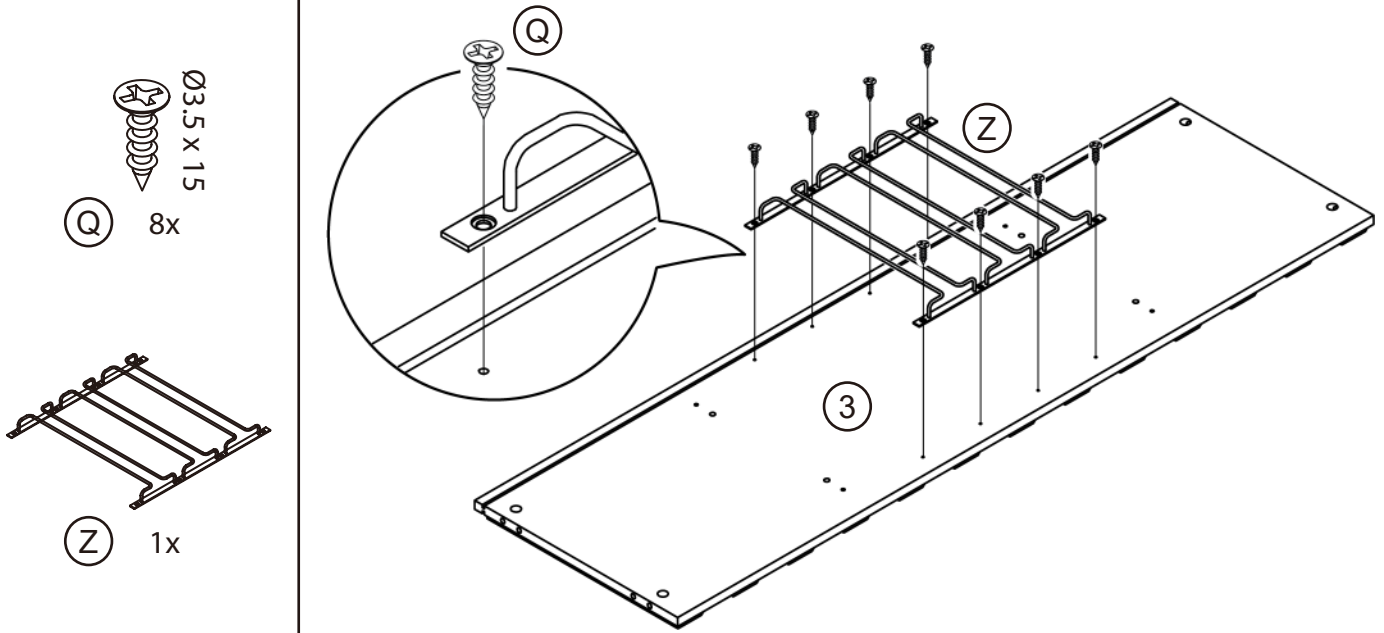
1

Detach the sliders from the slide brackets.



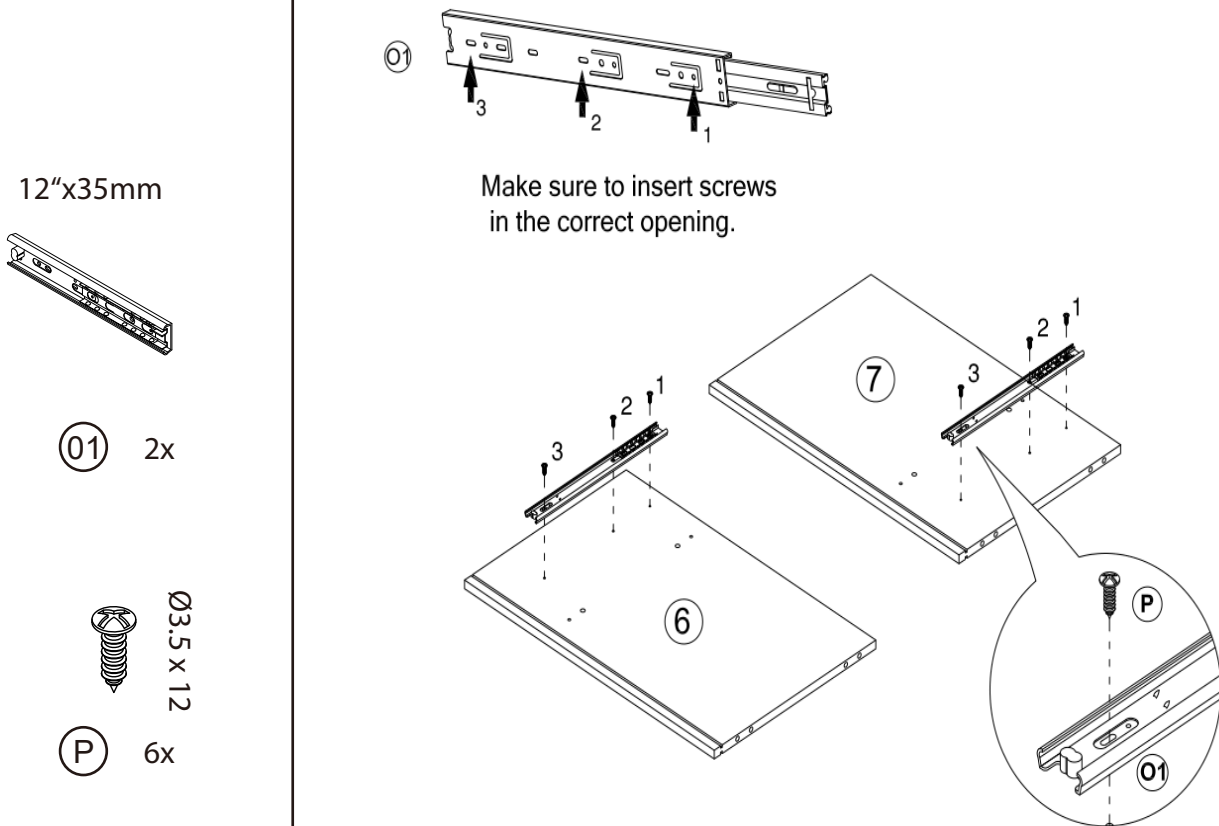
2

Attach wine glass holder to the underside of the center panel (3).



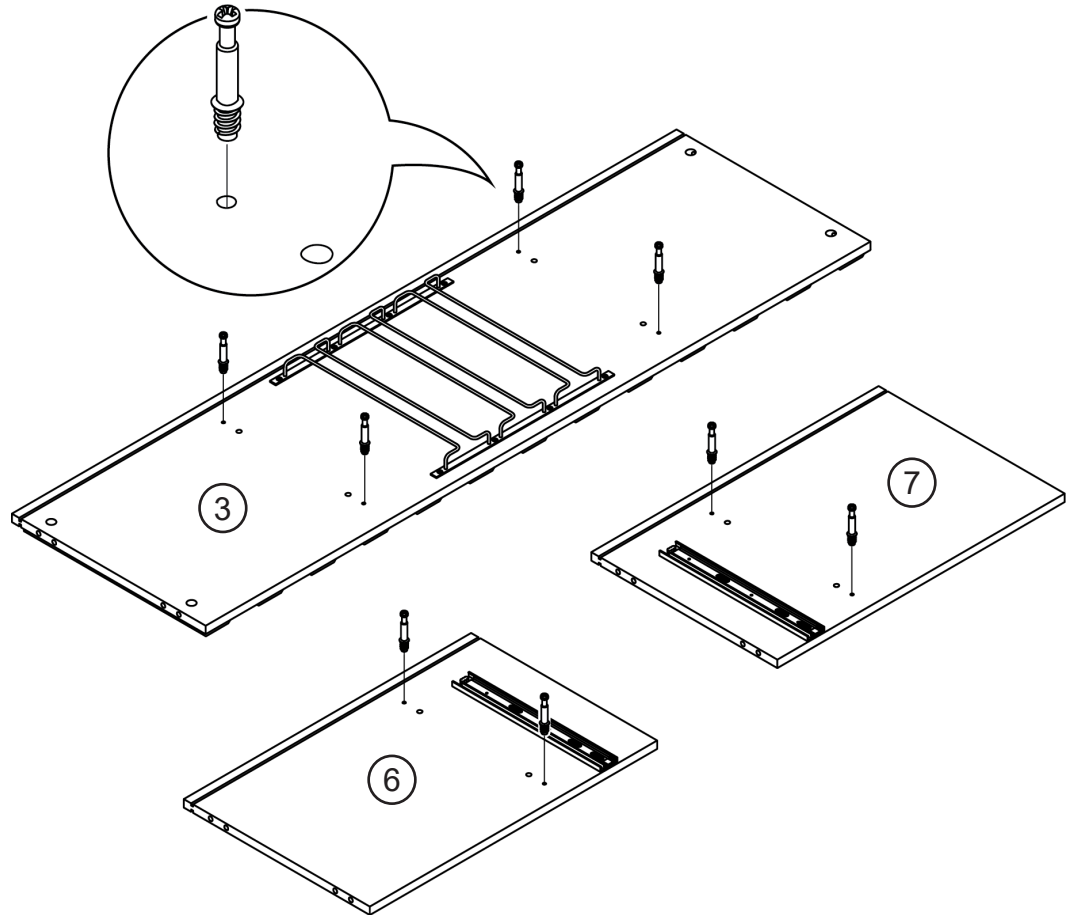
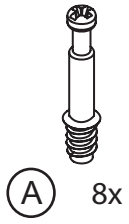
3

Attach slide brackets to the medial panels (6, 7).



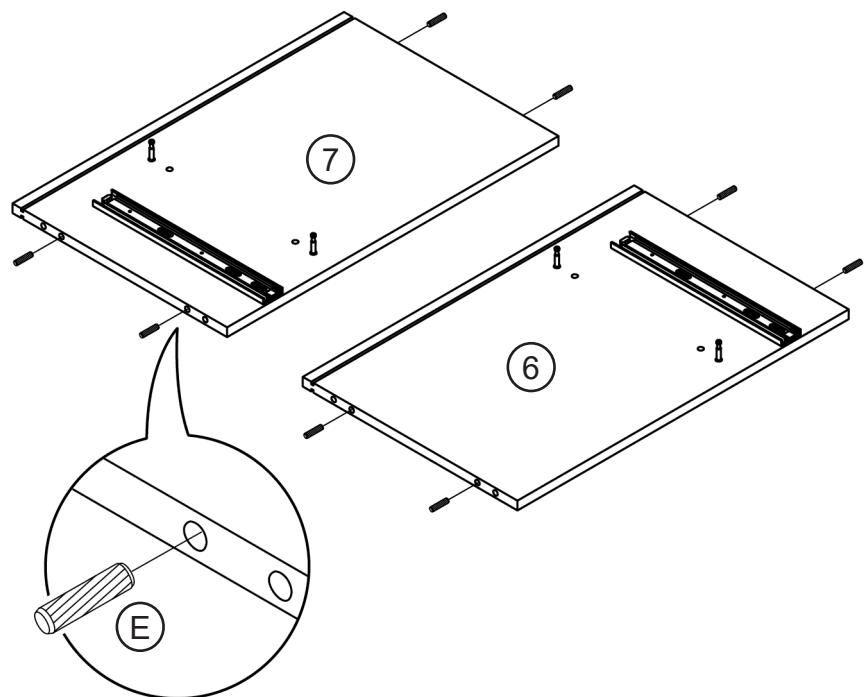
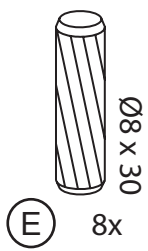
4

Attach cam bolts to the center panel (3) and the medial panels (6, 7).



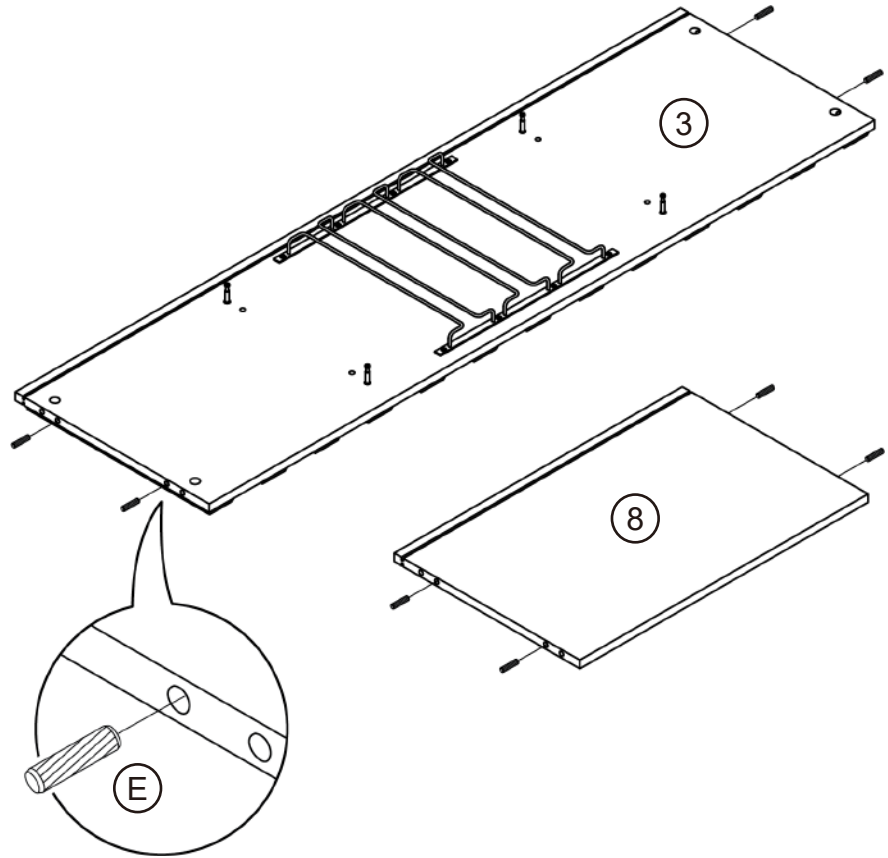
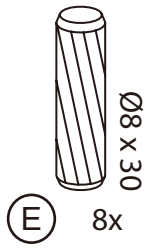
5

Insert wood dowels to the medial panels (6, 7).



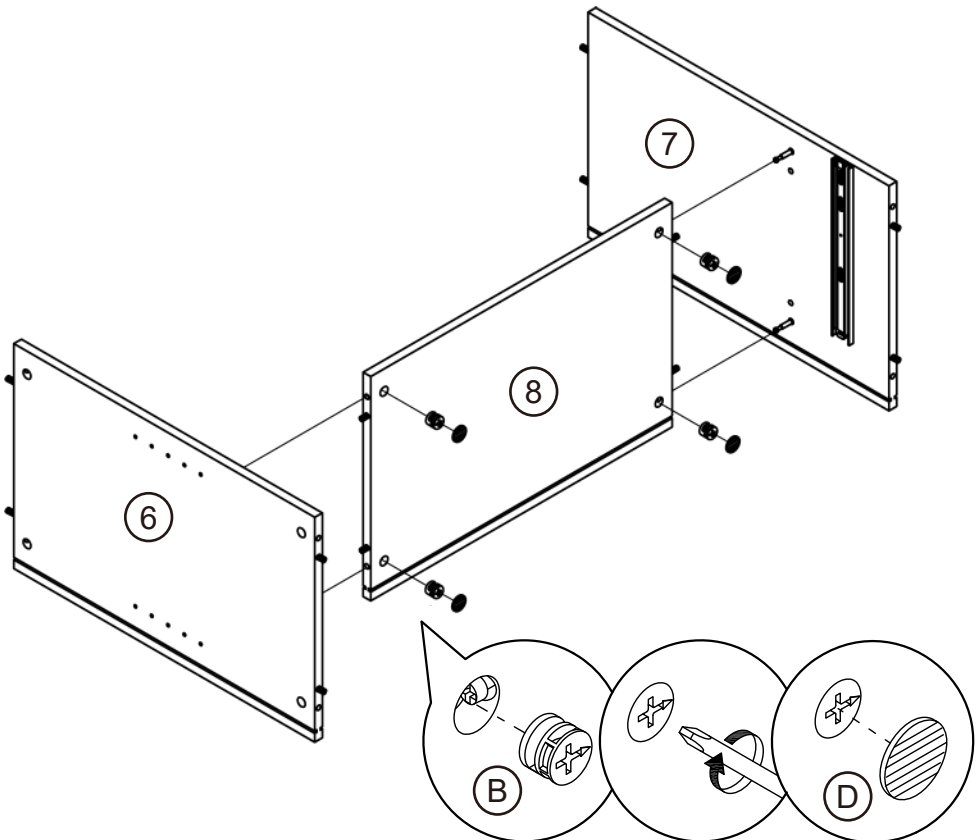
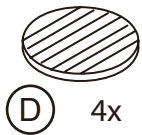
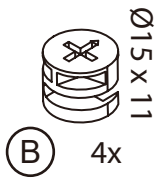
6

Insert wood dowels to the center panel (3) and the center storage panel (8).



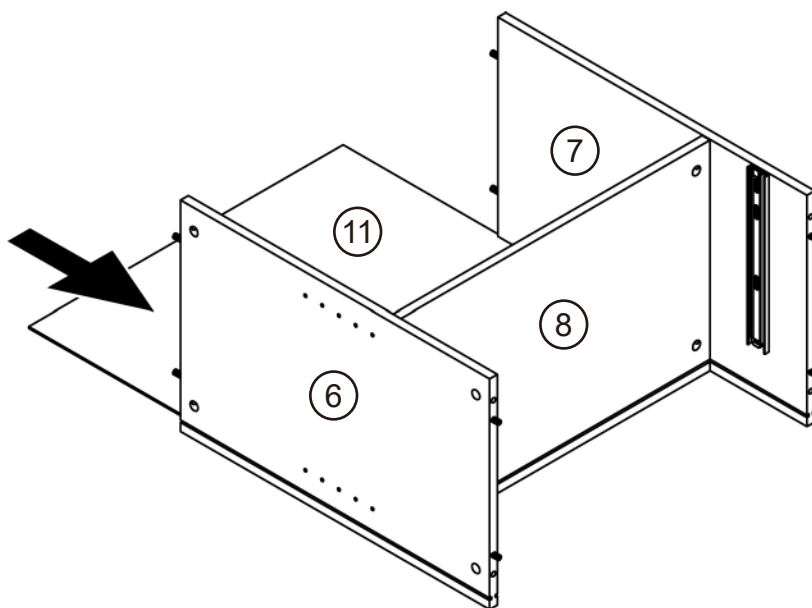
7

Assemble center storage panel (8) between the two medial panels (6, 7).



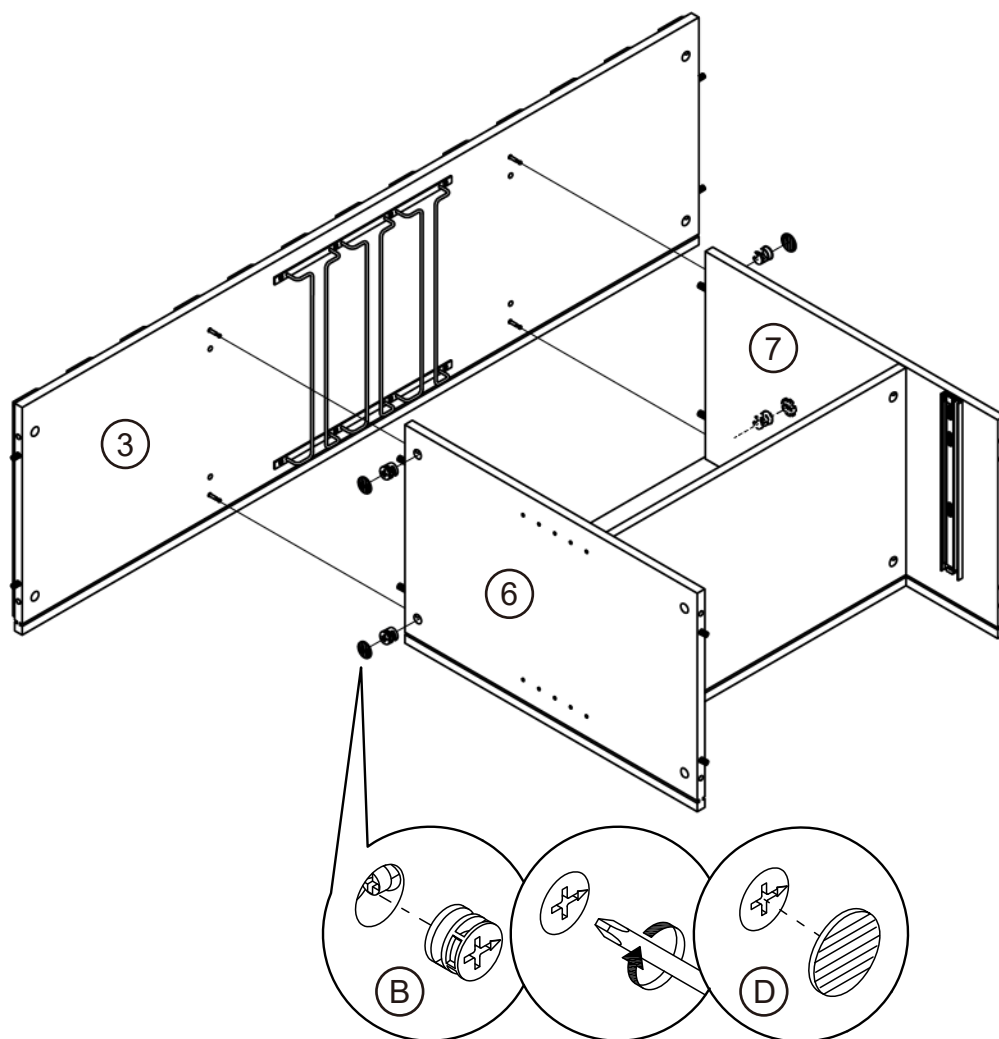
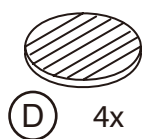
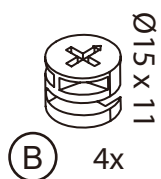
8

Slide center back panel (11) between the medial panels (6, 7).



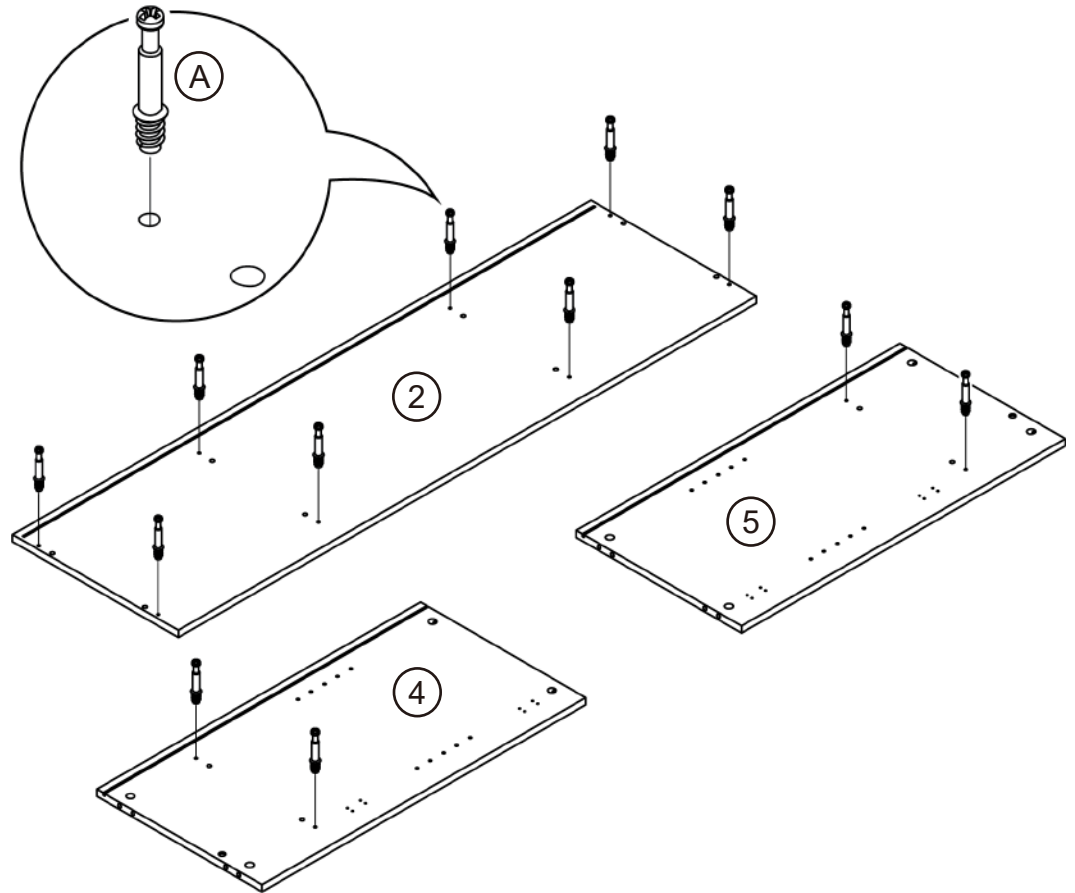
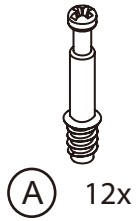
9

Assemble the center panel (3) on top of the medial panels (6, 7).



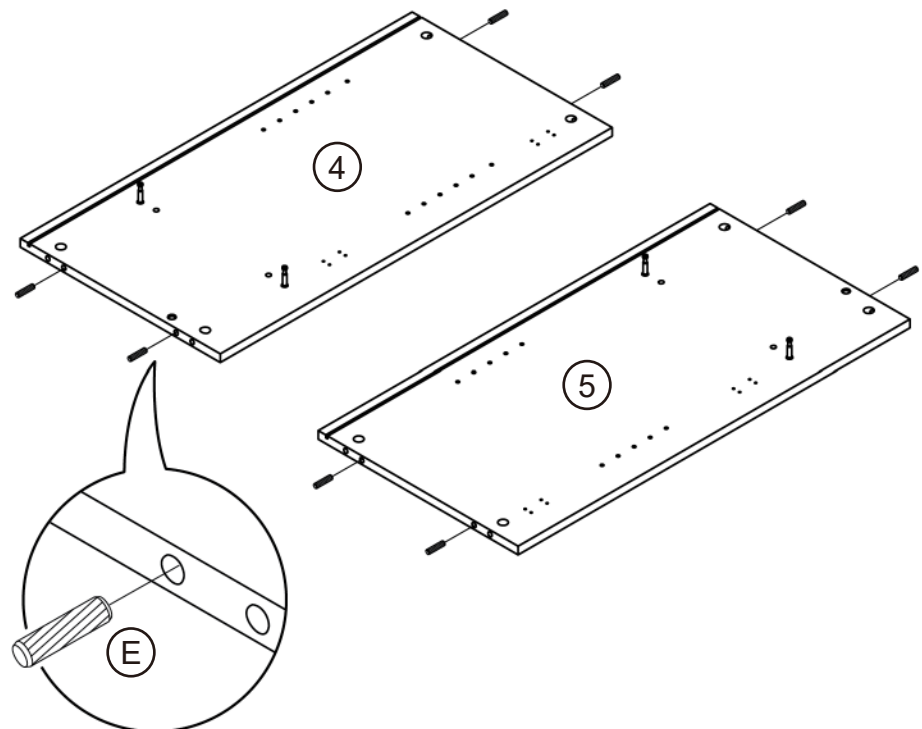
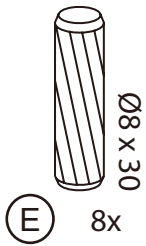
10

Attach cam bolts to the bottom panel (2) and lateral panels (4, 5).



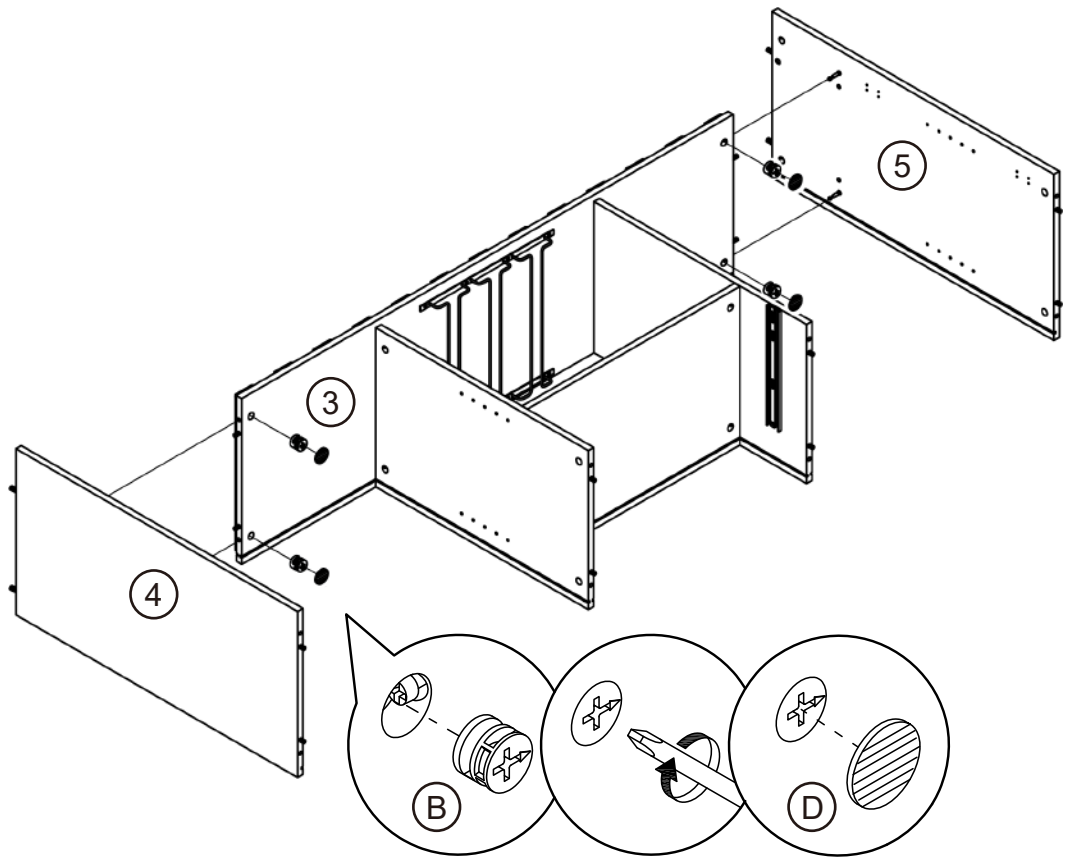
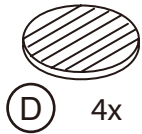
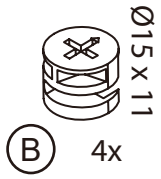
11

Insert wood dowels to the lateral panels (4, 5).



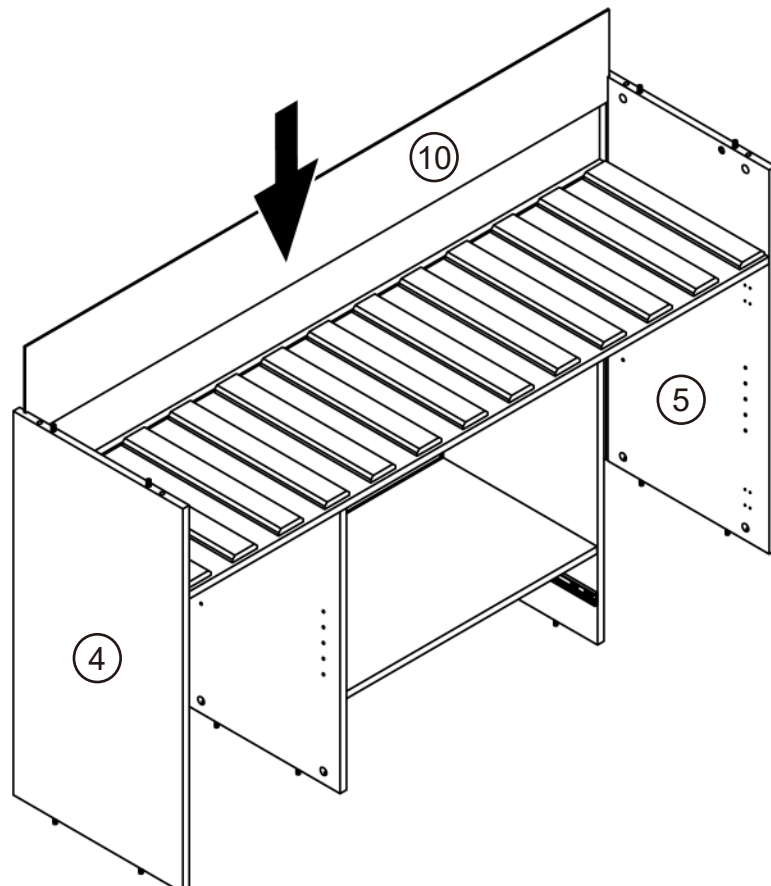
12

Assemble lateral panels (4, 5) to the side of the center panel (3).



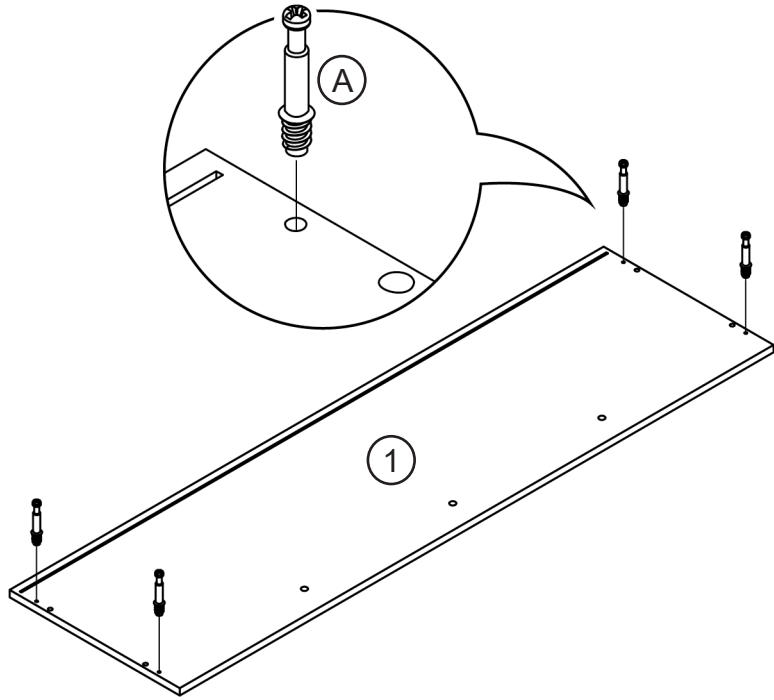
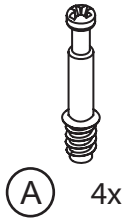
13

Slide upper back panel (10) between the two lateral panels (4, 5).



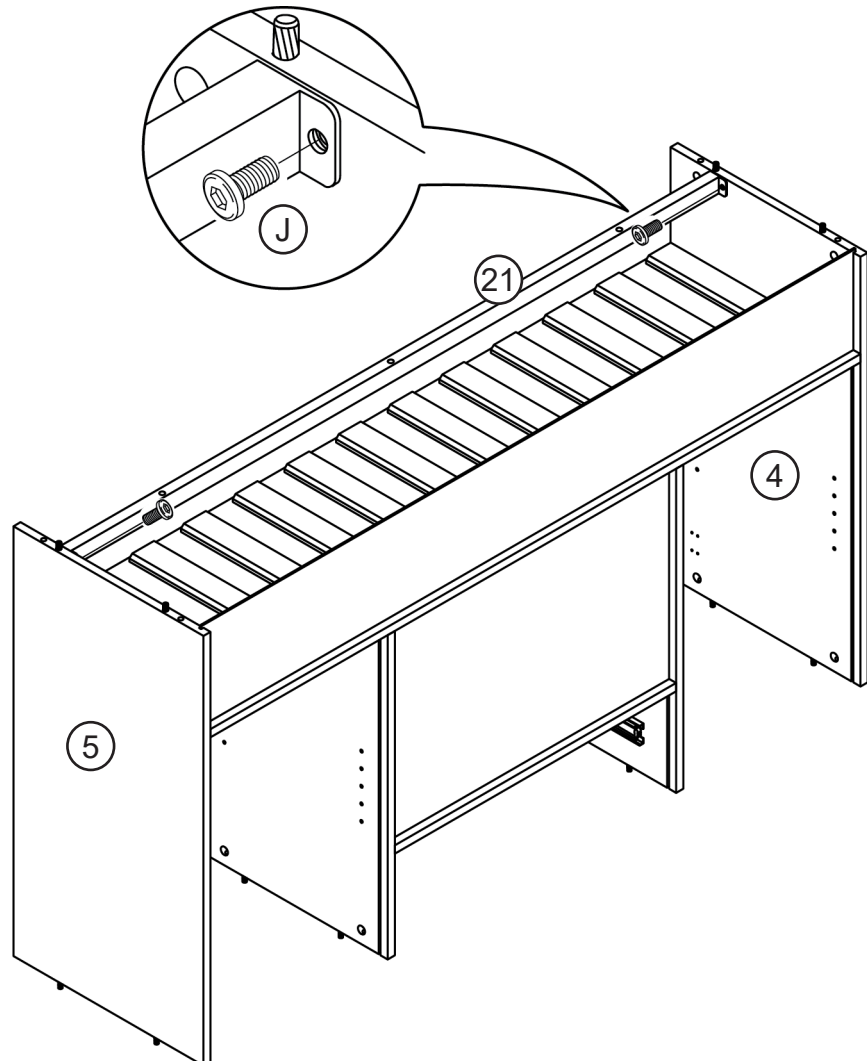
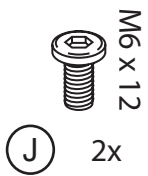
14

Attach cam bolts to the underside of the top panel (1).



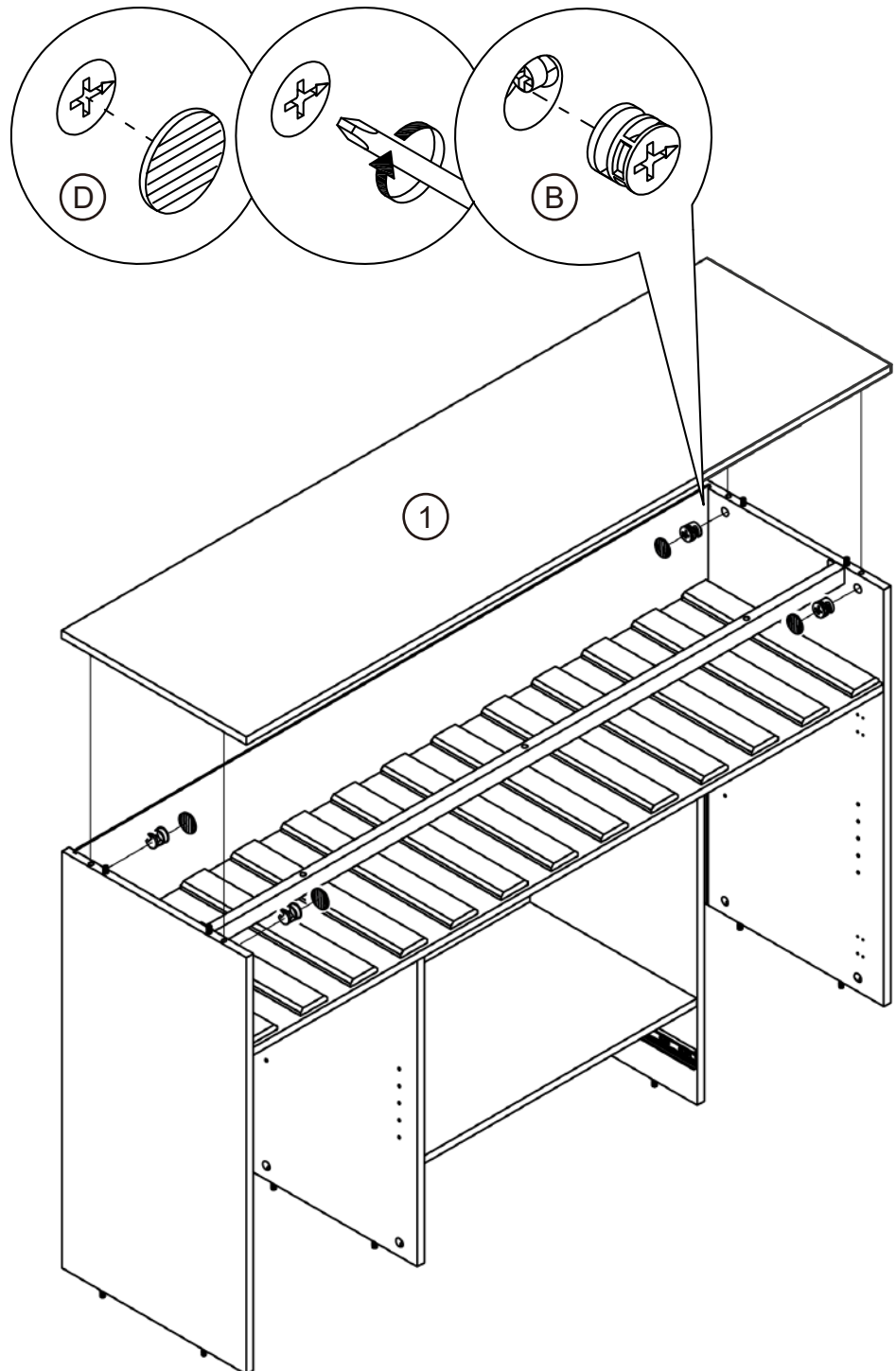
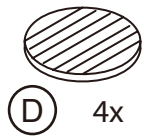
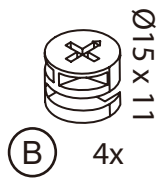
15

Assemble the top crossbar (21) between the lateral panels (4, 5).



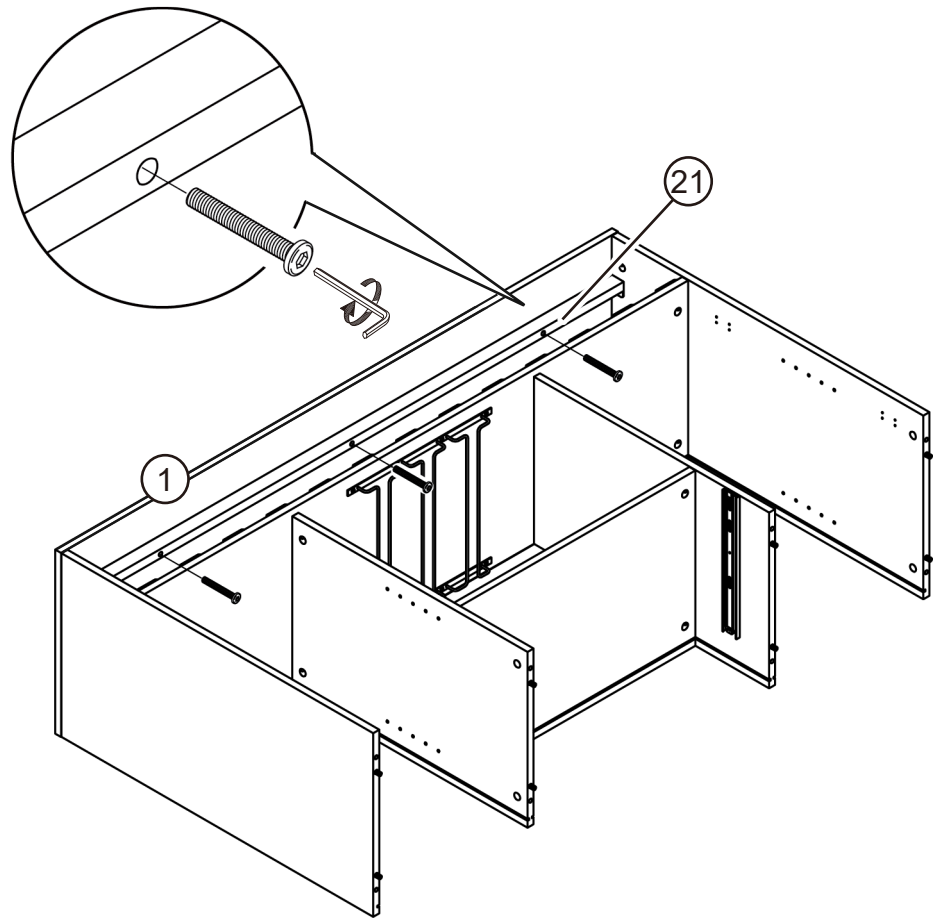
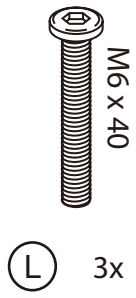
16

Assemble the top panel (1) on top of the rack assembly.



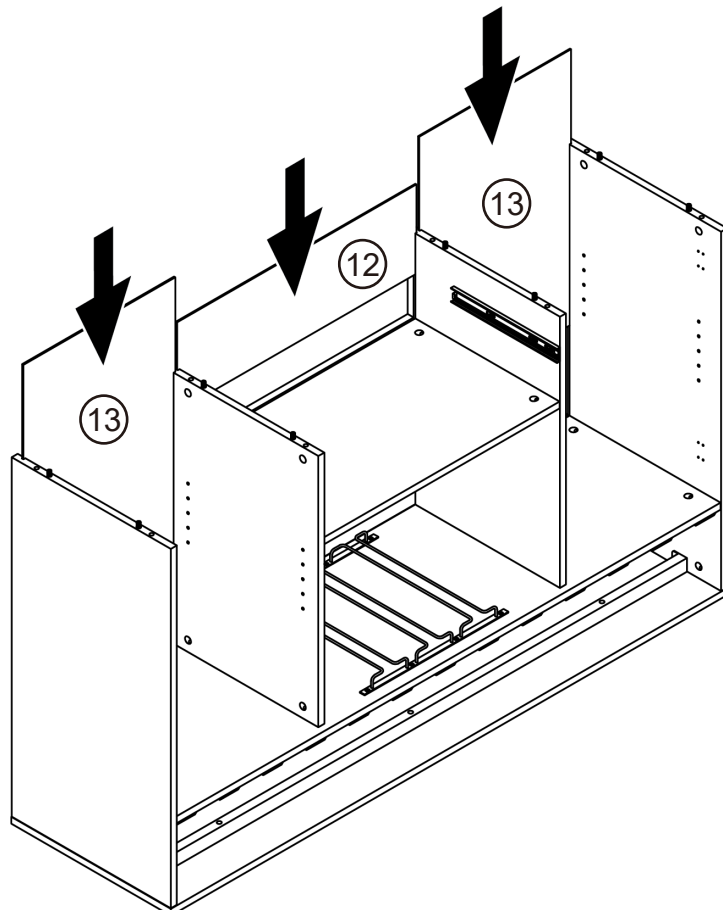
17

Secure the top crossbar (21) to the top panel (1).



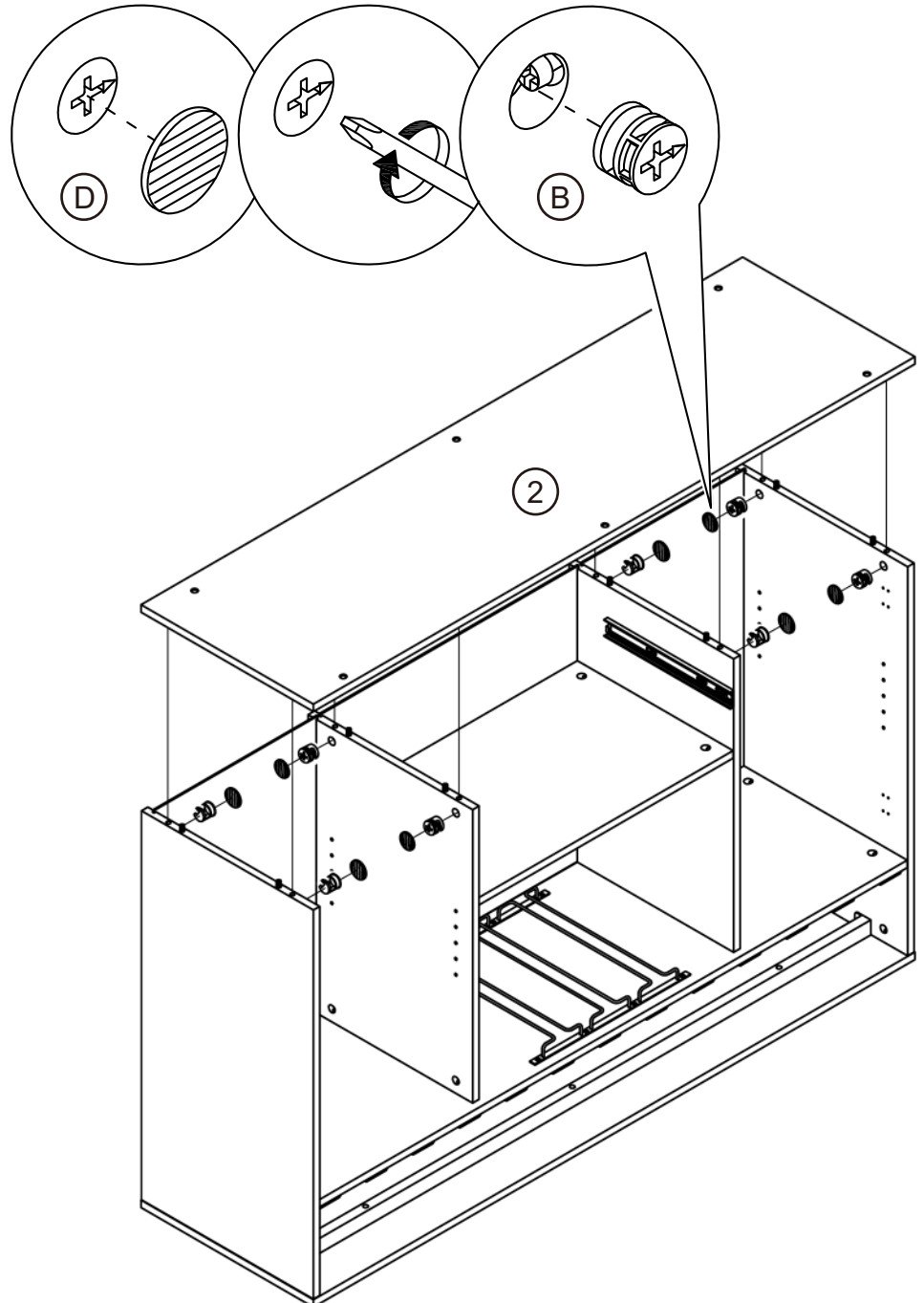
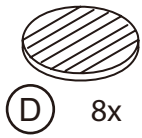
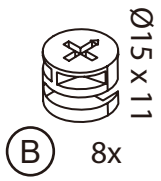
18

Place the rack assembly upside down and slide in the bottom back panel (12) and side back panels (13).



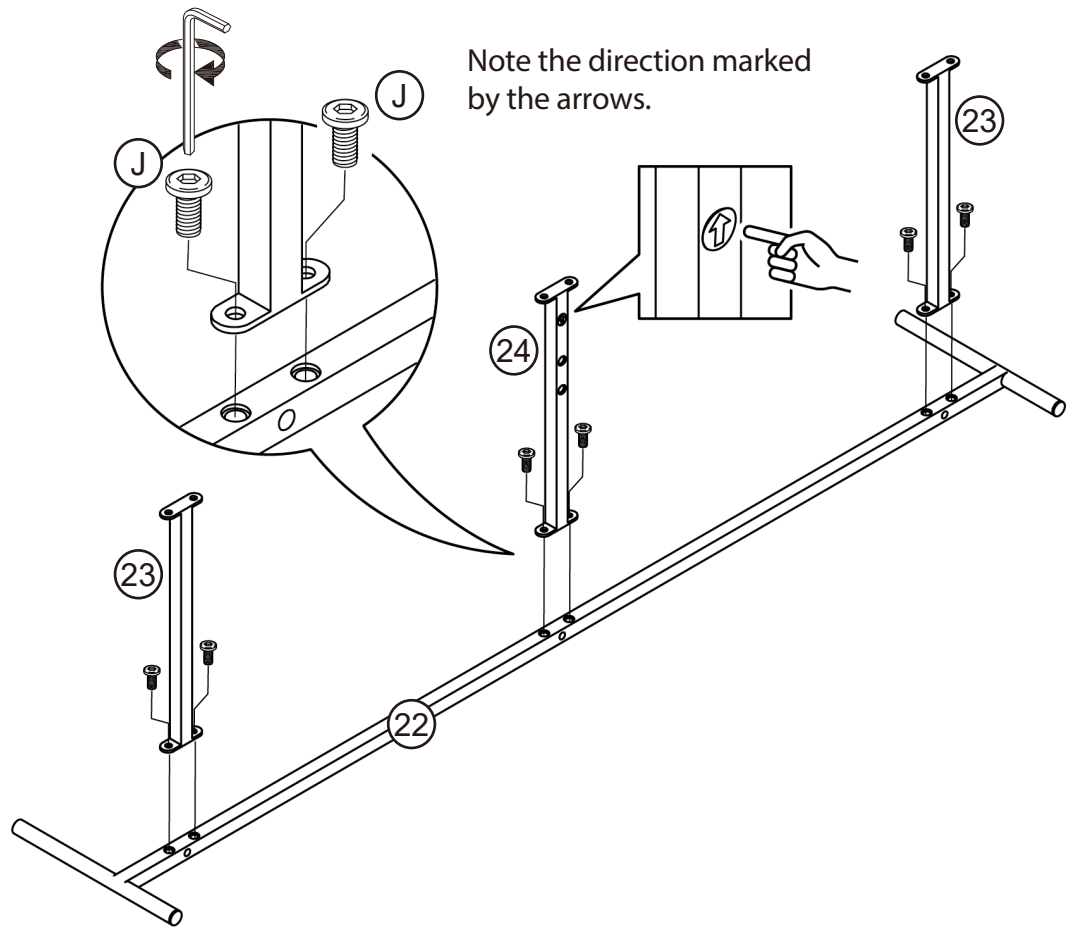
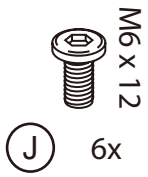
19

Assemble the bottom panel (2) to the wine rack assembly.



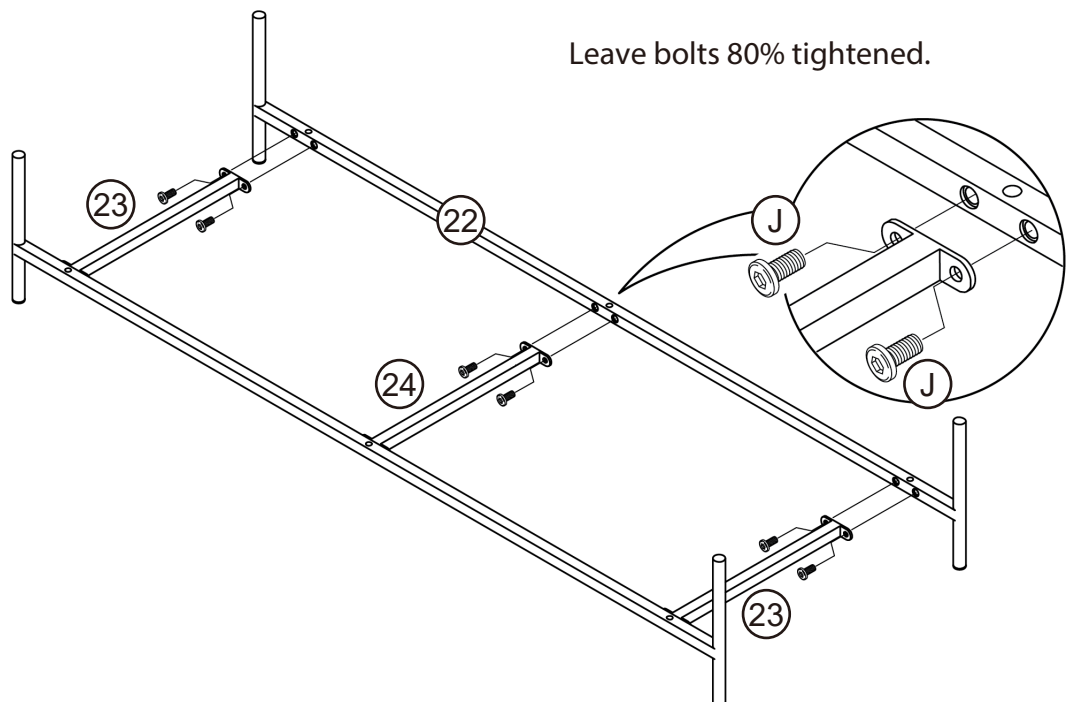
20

Attach the leg connection bars (23) and support leg connection bar (24) to the leg (22).



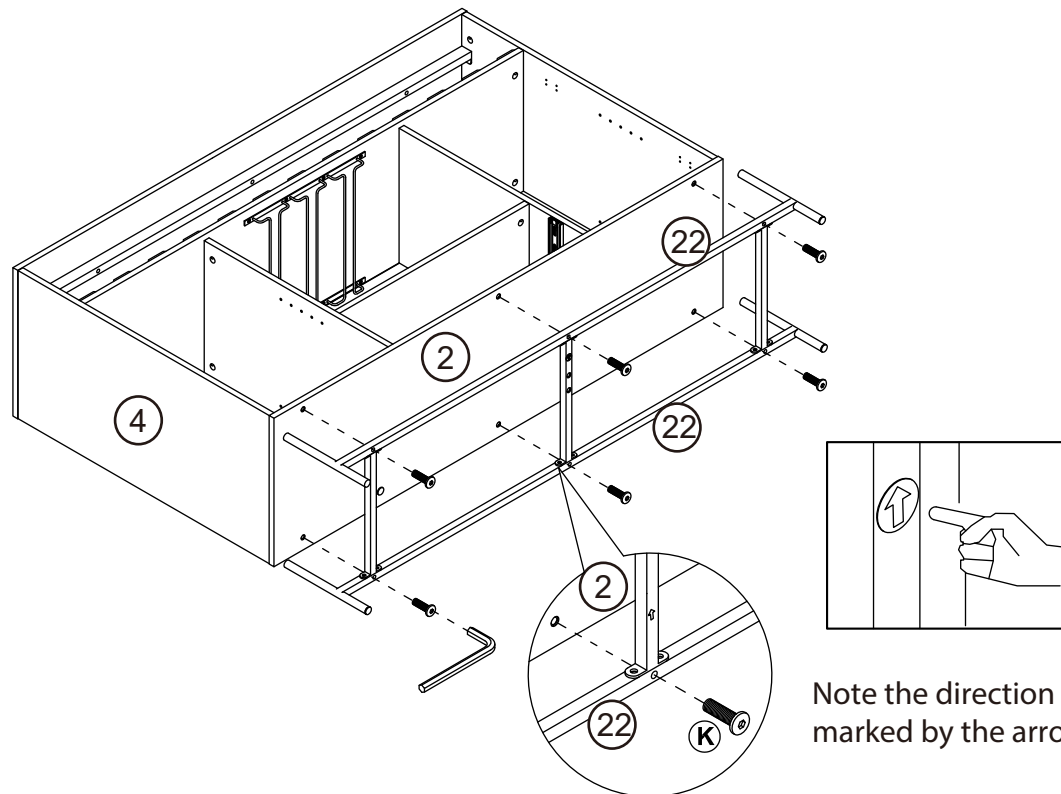
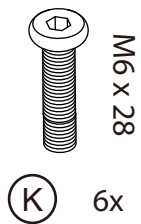
21

Attach the other leg (22) to the other side of the connection bars (23, 24).



22

Attach the leg assembly underneath the bottom panel (2).

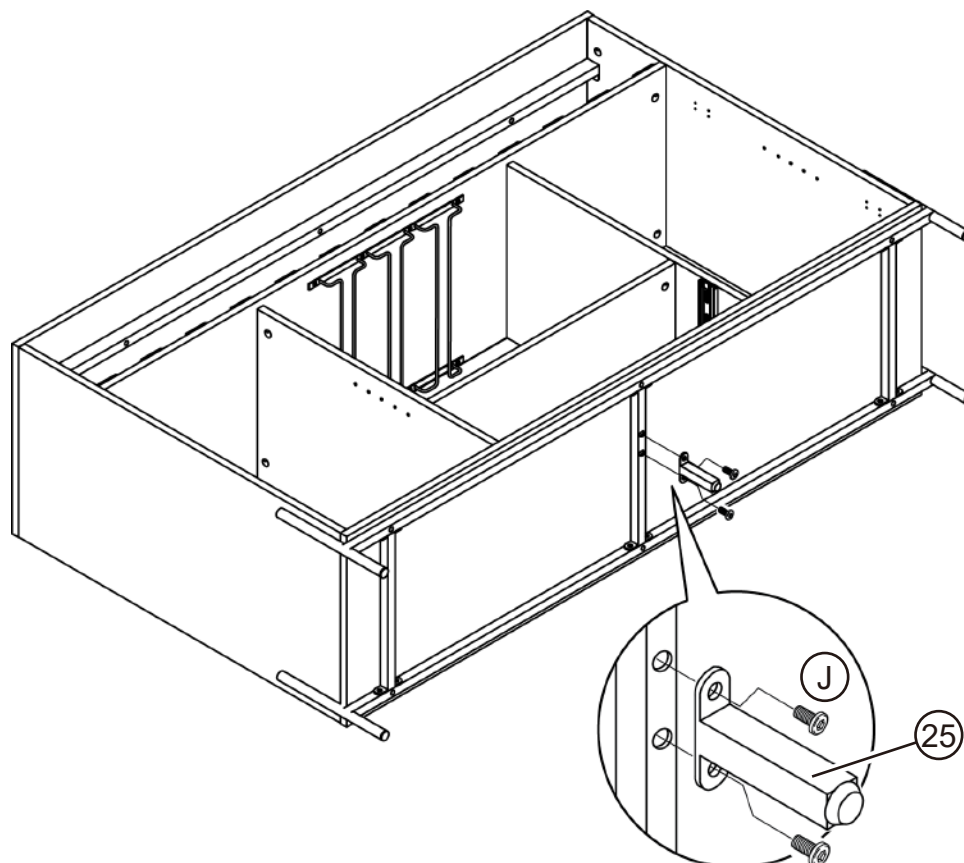


Note the direction marked by the arrows.

Tighten all the bolts.

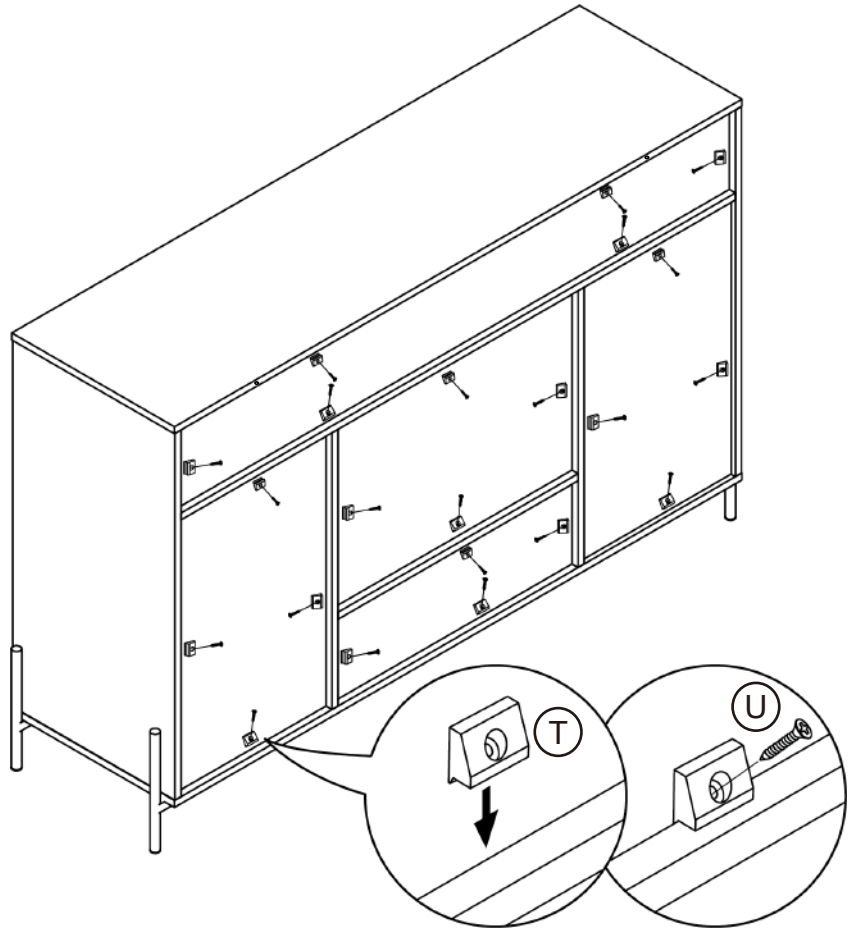
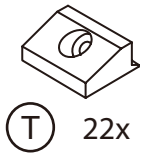
23

Attach support leg (25) to the leg assembly.



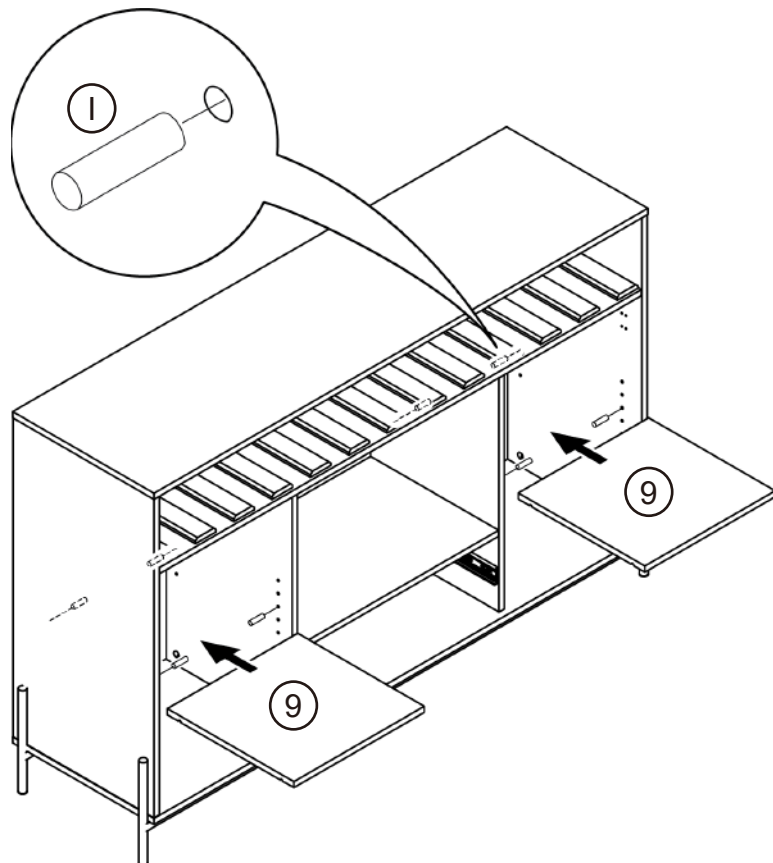
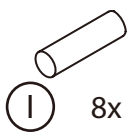
24

Secure all the back panels in place.



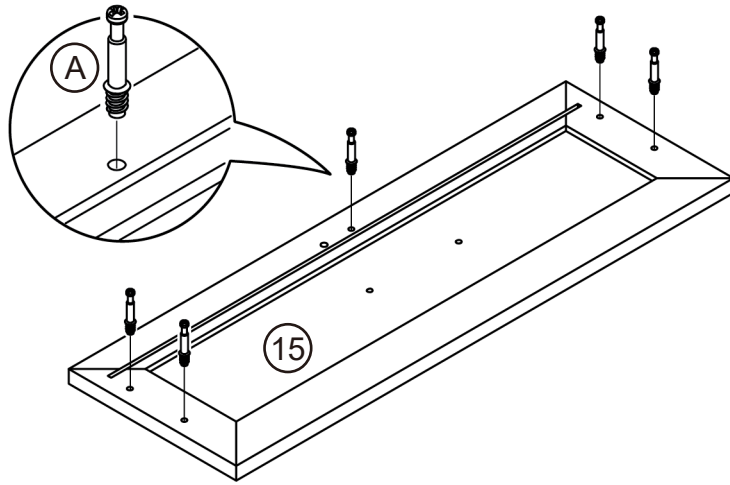
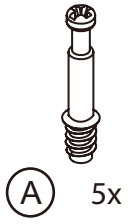
25

Insert shelf pegs into the stand and put side storage shelf panels (9) on top.



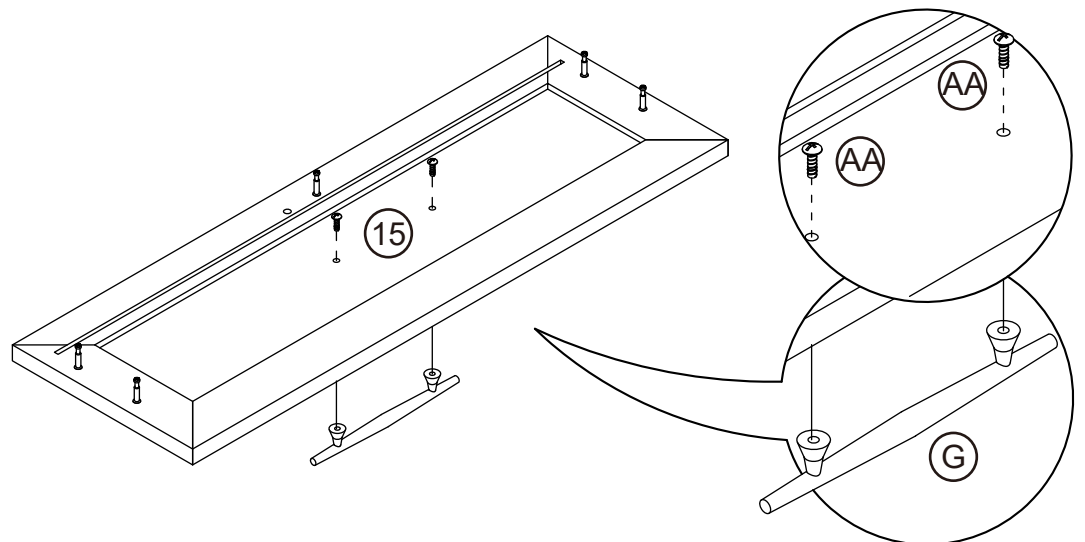
26

Attach cam bolts to the drawer front panel (15).



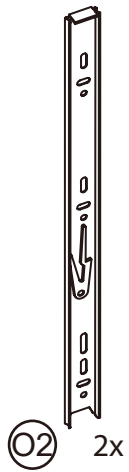
27

Attach drawer handle to the drawer front panel (15).

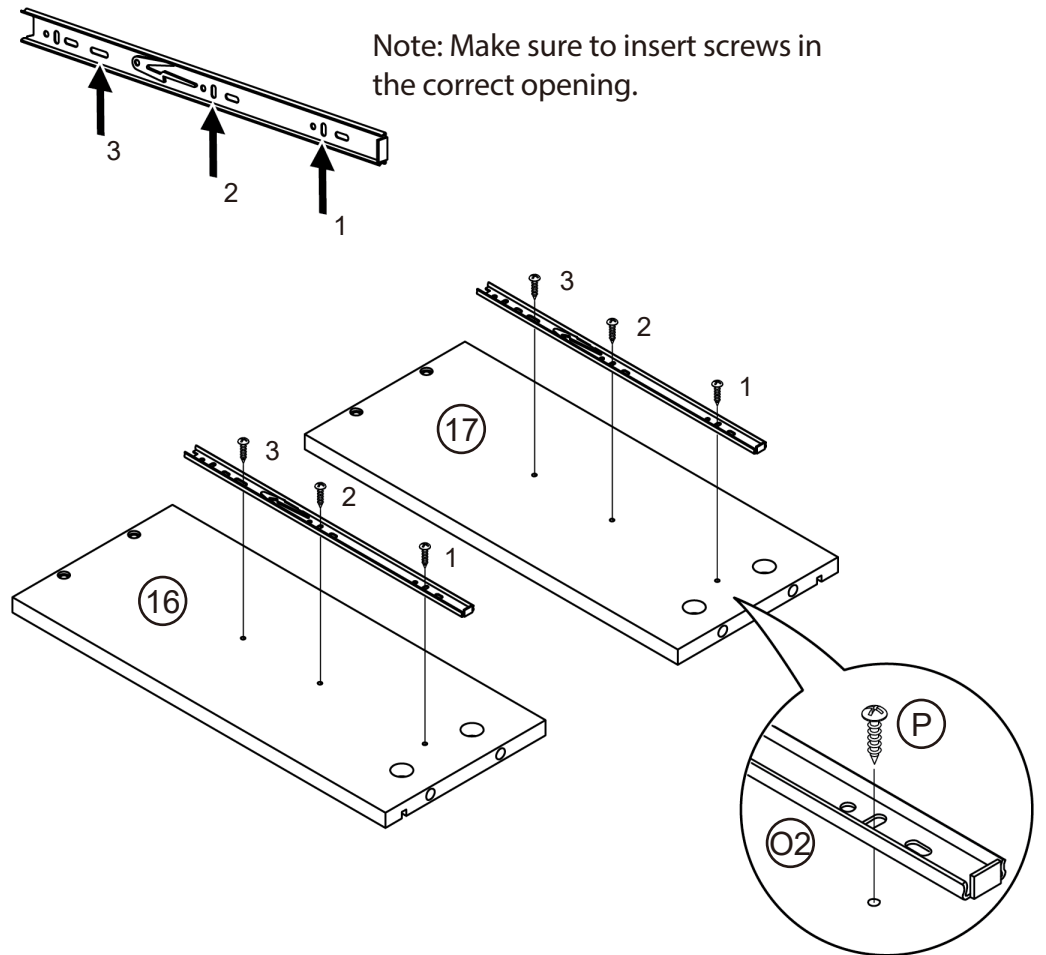


28

Attach slider to the drawer side panels (16, 17).

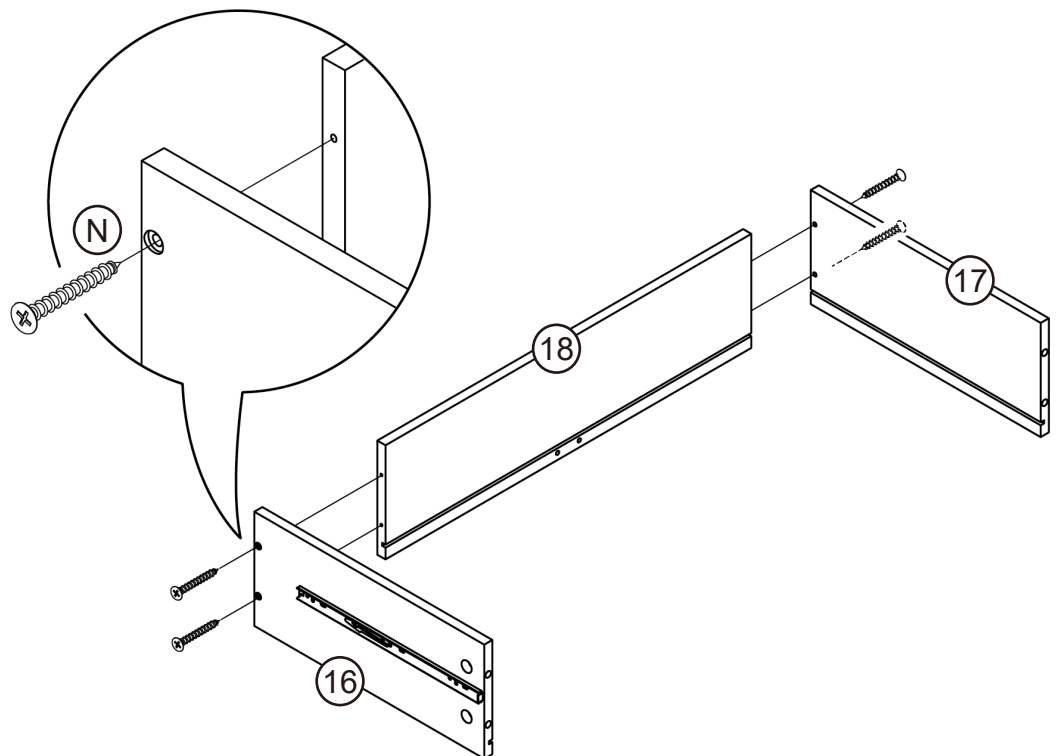
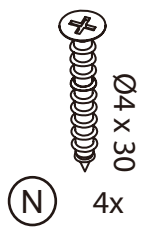


Note: Make sure to insert screws in the correct opening.



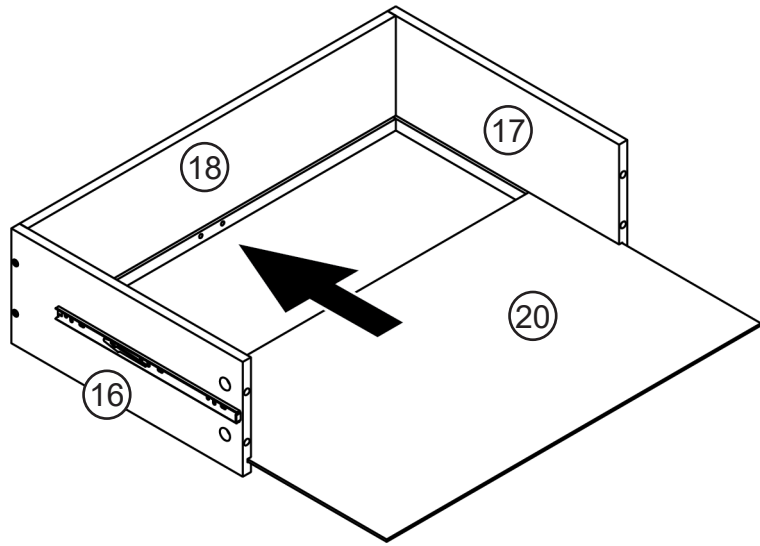
29

Attach drawer back panel (18) between the drawer side panels (16, 17).



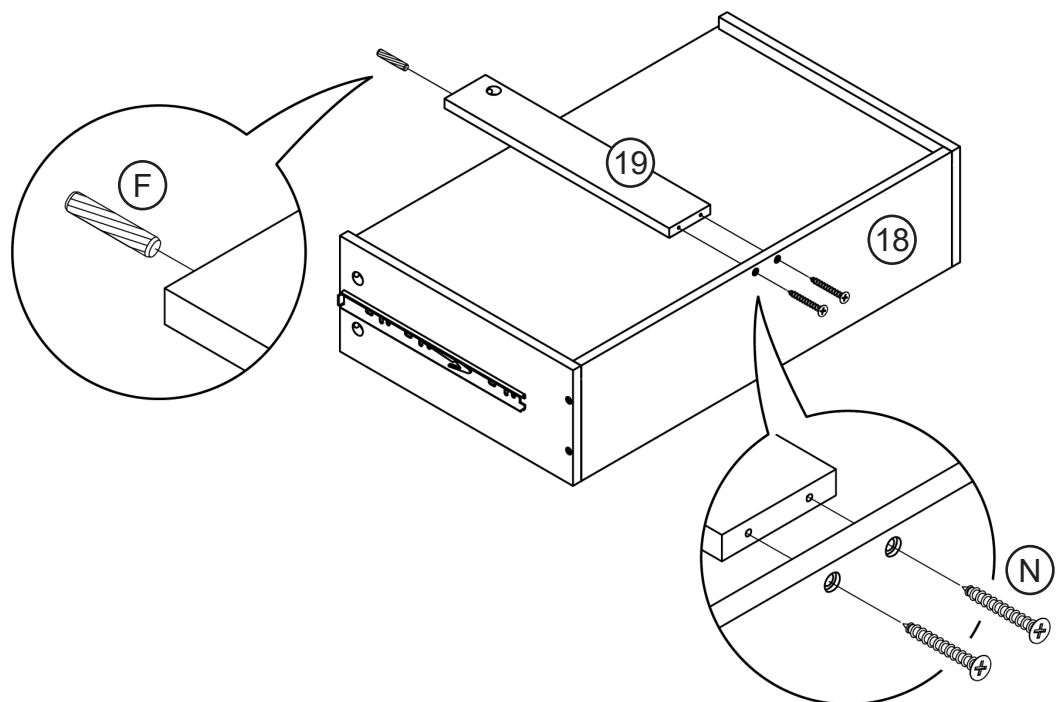
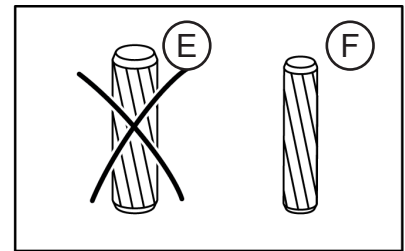
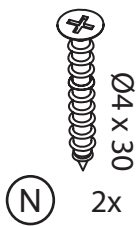
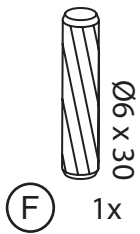
30

Slide the drawer bottom panel (20) to the drawer assembly.



31

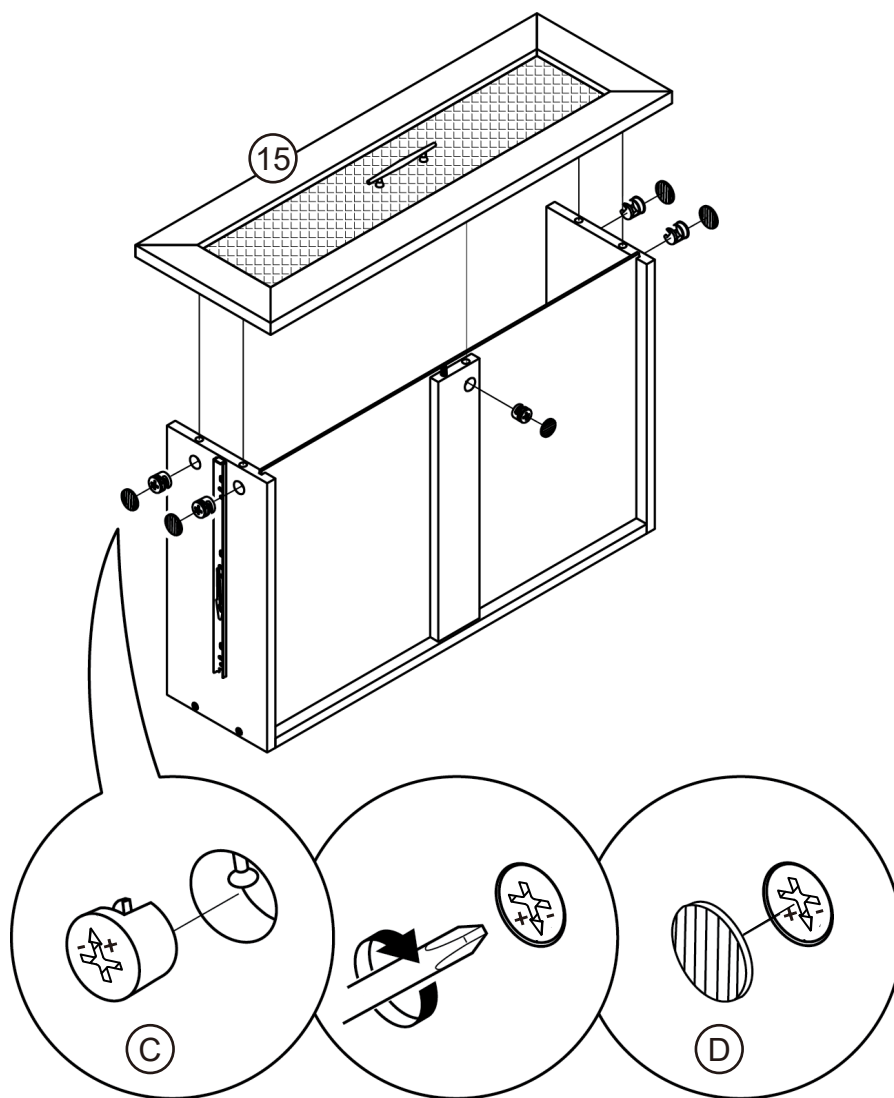
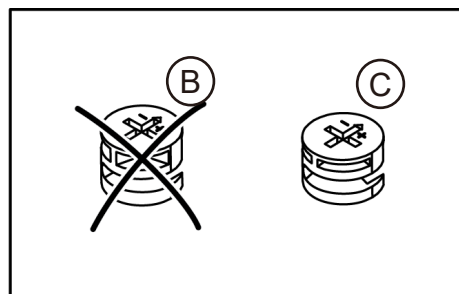
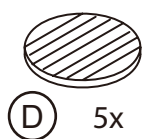
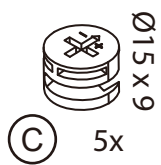
Assemble the drawer support strip (19) to the drawer back panel (18).



32

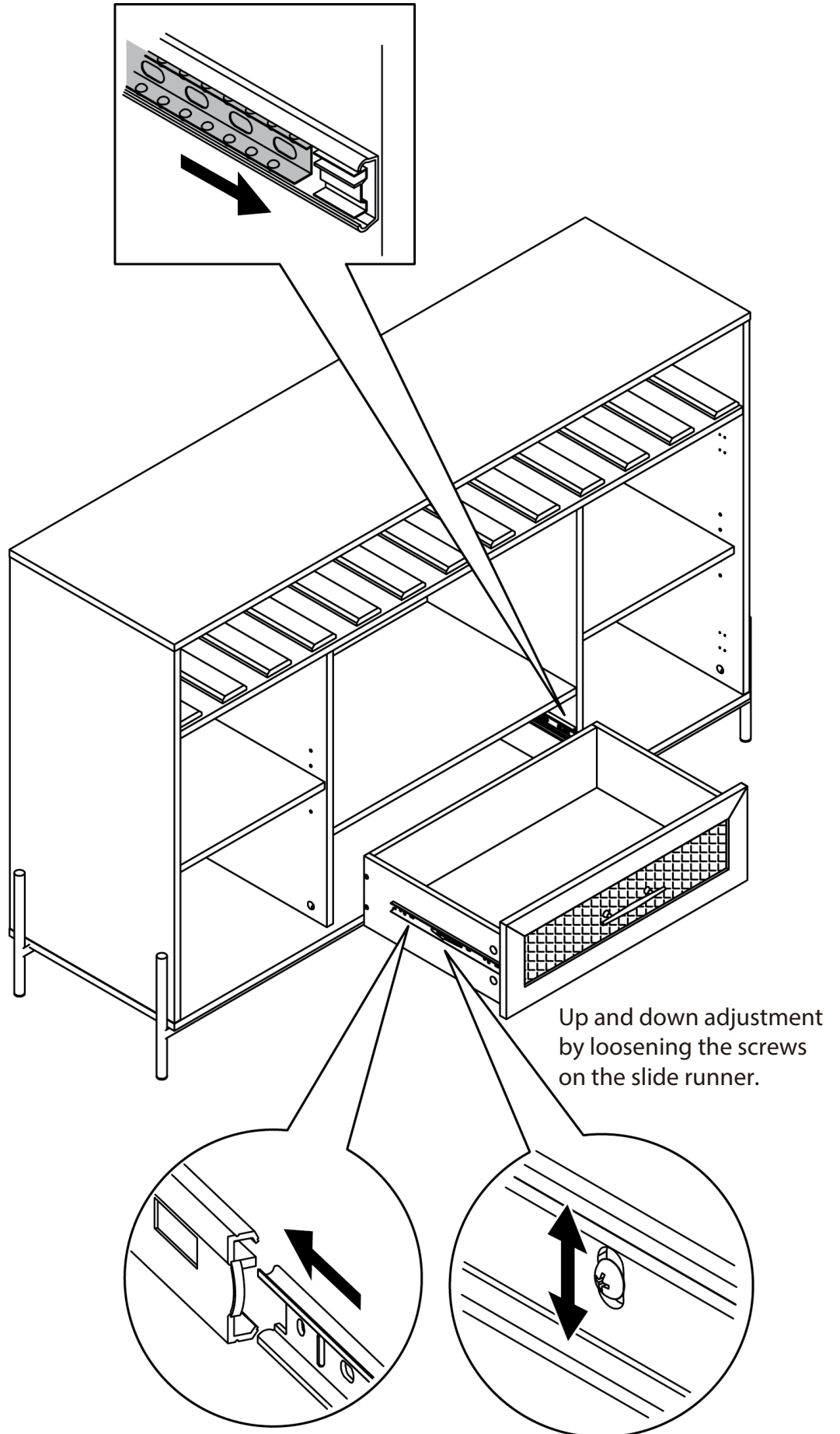
Assemble the drawer front panel (15) to the drawer assembly.

Note: Make sure to use the correct hardware.



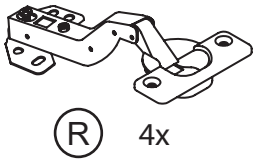
Slide the drawer into the wine rack.

Slide the slider plate to the forward position.



34

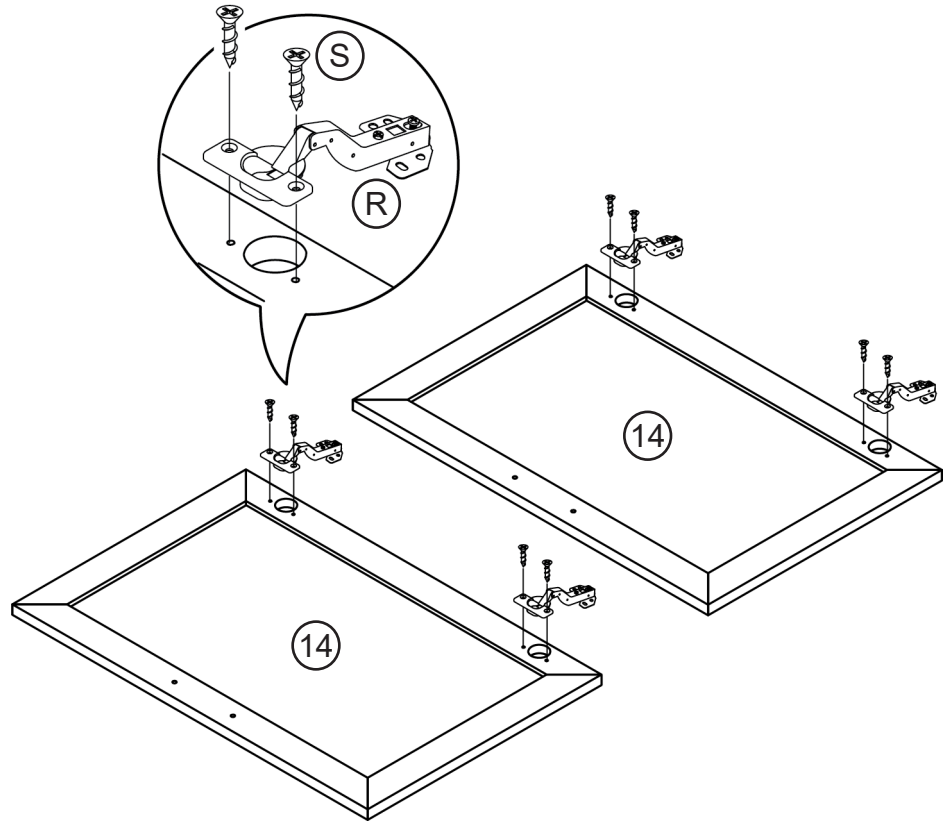
Attach door hinges to the cabinet doors (14).



(R) 4x



(S) 8x
Ø4 x 14



35

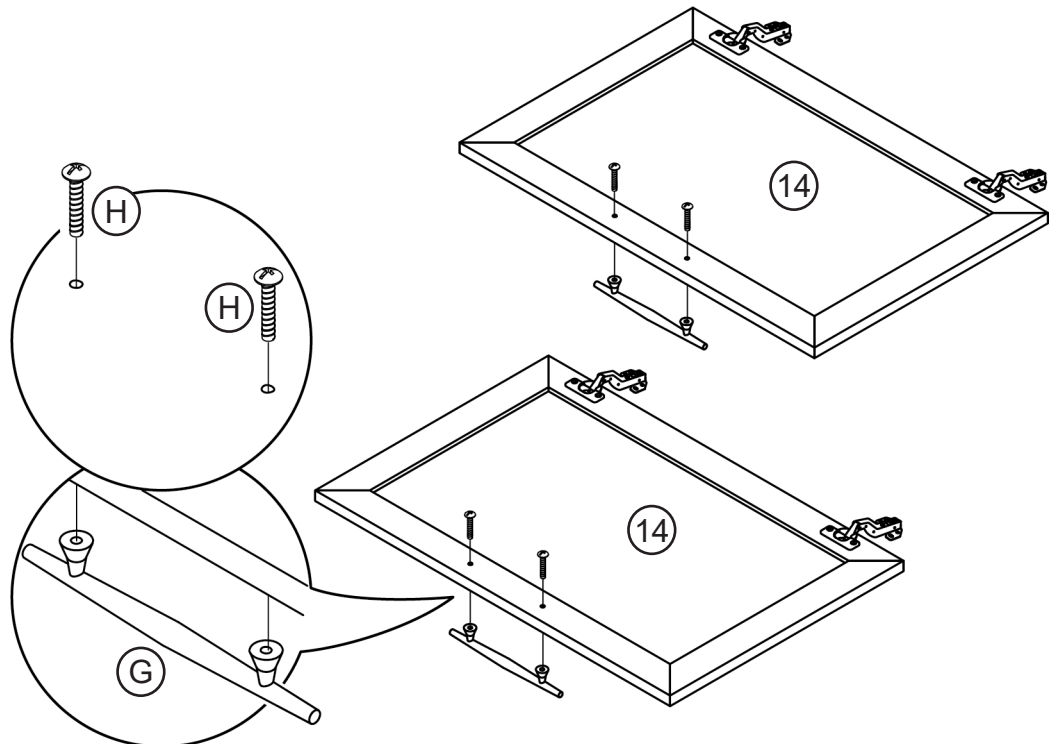
Attach door handle to the cabinet doors (14).



(G) 2x

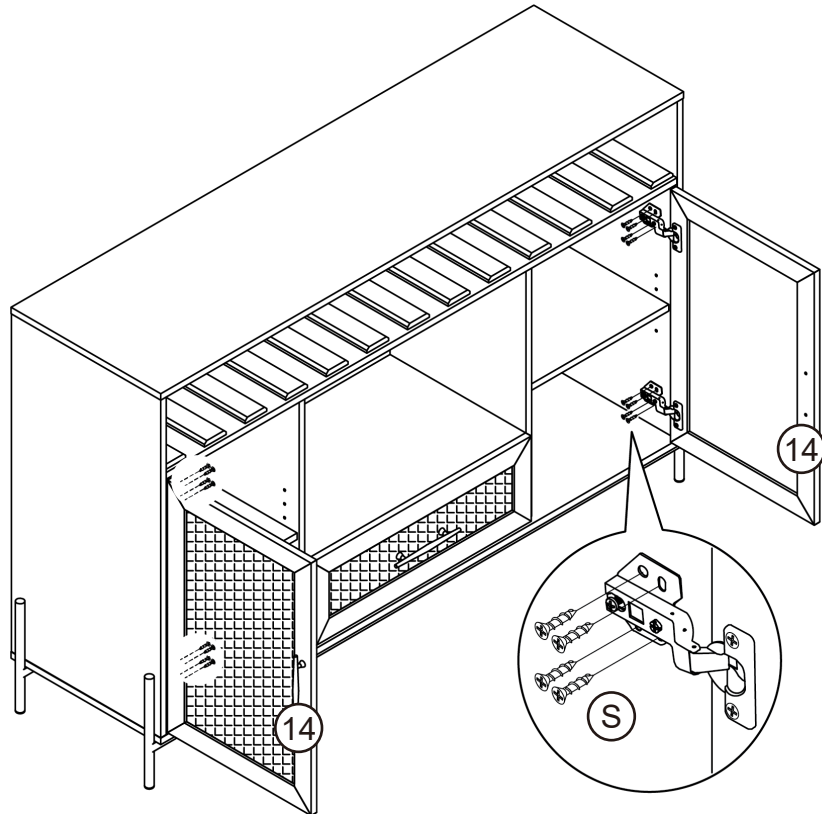
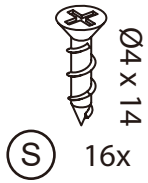


(H) 4x
5/32" x 22

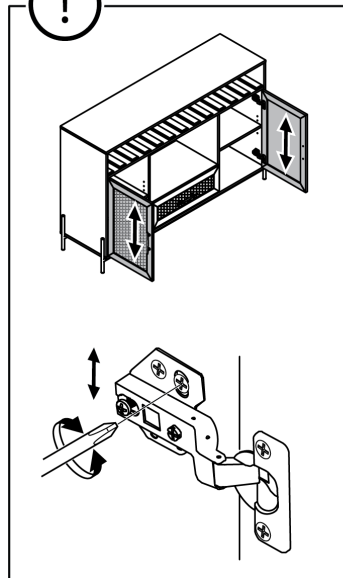


36

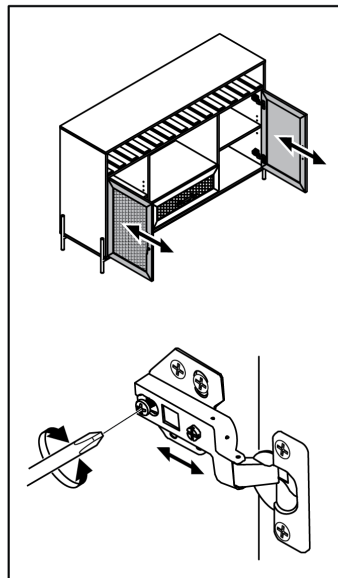
Attach cabinet doors (14) to the wine rack.



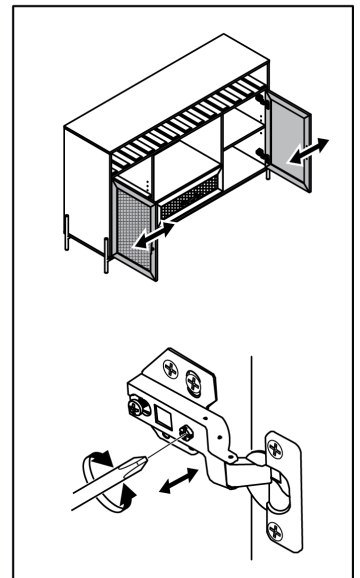
When the clearance of the door is uneven, Adjust the cabinet door according to the figure. If you still have trouble while adjusting the door, please contact us.



Up and down adjustment by loosening the screws on the mounting plate.



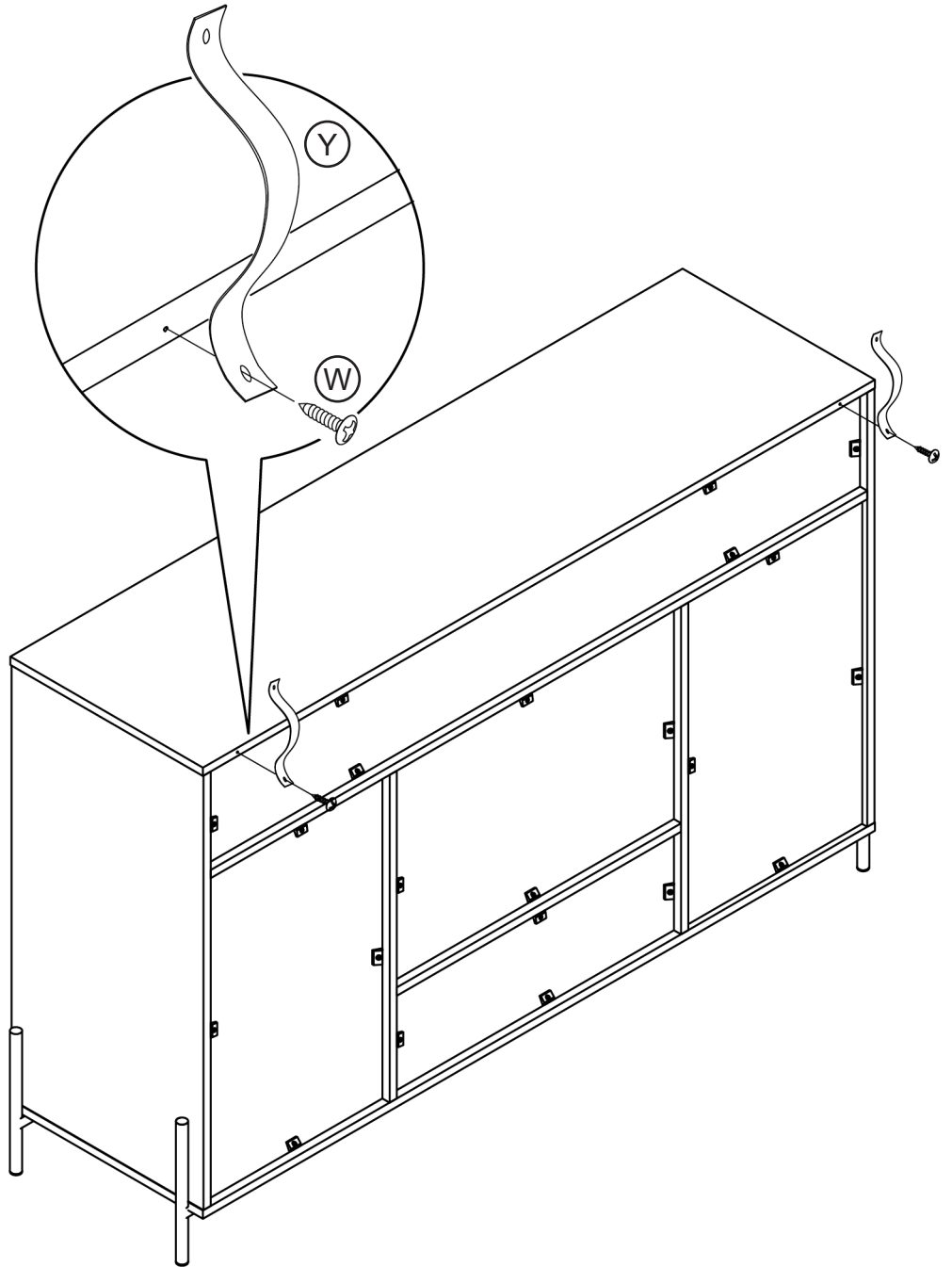
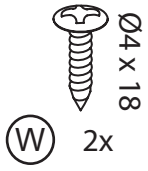
In and out adjustment by loosening the screws on the hinge arm.



Side to side adjustment using the front adjustment screw on the hinge.

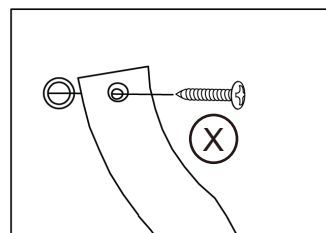
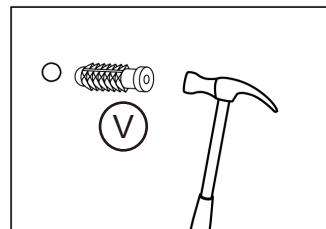
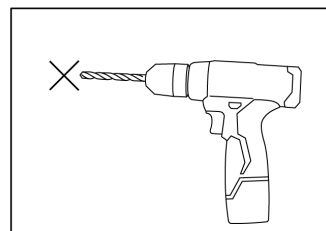
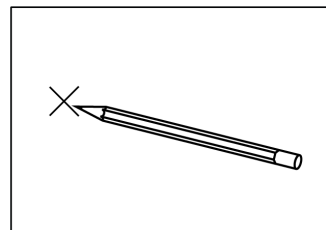
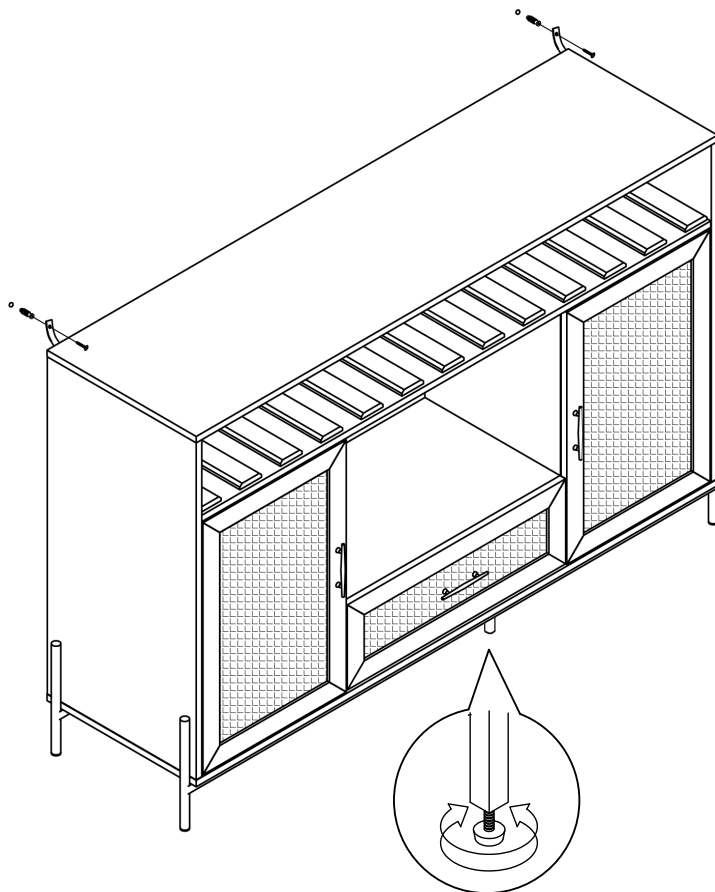
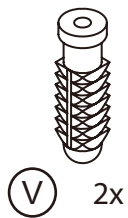
37

Attach anti-tipping straps to the back of the wine rack.



38

Affix the wine rack to a wall.

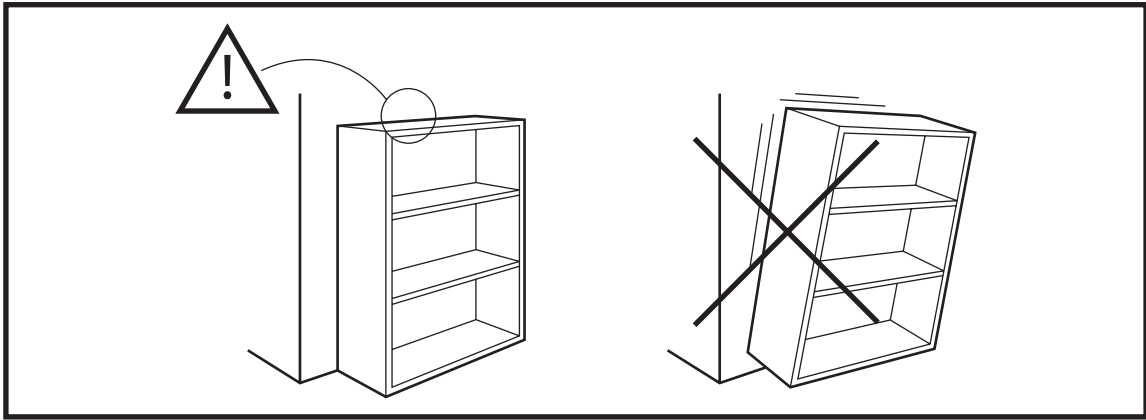


Adjust table foot pads, Keeps stable even on uneven floors.

Furniture must permanently fixed to the wall stud with included anti-tipping device to prevent the furniture from tipping over.

- Mark the drill position on the wall with a pencil.
- Drill a small hole on the marked position.
- Insert a wall anchor into the drilled hole.
- Fixed the anti-tipping strap to the wall with provided screws.

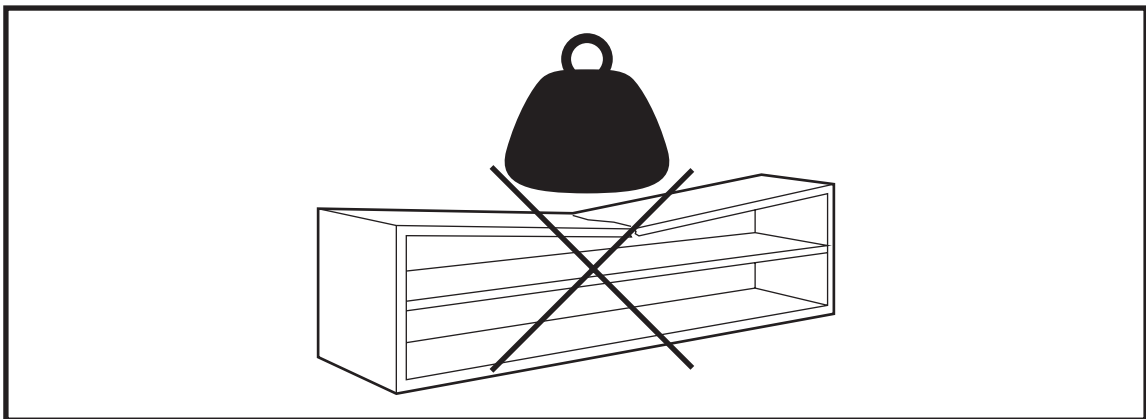
YOU'RE FINISHED!



Warning

Serious or fatal crushing injuries may occur if the furniture tip-over. Furniture must permanently affixed to the wall with included anti-tipping device in order to prevent the furniture from tipping over.

Different wall materials requires different types of wall anchors or screws. Use a suitable wall anchors or screws for your specific wall in order to secure the stability and load bearing capacity of the furniture. If you are uncertain about which type of device to use, please contact us or your local hardware store.



Warning

Only place items on top of the product if they meet the recommended size and weight limits.

Climbing on, stepping on, or placing overweighted objects on the product may cause property damage and/or injuries.

Items placed onto this product must be resting on a support surface without hanging over the edges.

FURNITURE CARE AND MAINTENANCE

Medium - Density Fiberboard

Thank you for your purchase. We want your item to last as long as possible. To ensure the product gives you years of longevity, please follow the recommendations in this care and maintenance guide.



MAINTENANCE

- Tighten all bolts and screws again within the first 2 weeks of assembly.
- Check the tightness of all bolts every 2 months and tighten them if necessary.



CLEANING

- Clean the surface of the MDF (medium - density fiberboard) with a lightly dampened cloth.
- A small amount of mild soap can be used if necessary.
- Dry the surface immediately after cleaning.

⚠ DO NOT use bleach or alcohol to clean the surface.

⚠ DO NOT apply wood treatment on parts made with MDF.

MDF will swell and distort when exposed to water damage. Make sure to dry the furniture immediately after cleaning.

⚠ WARNING

The manufacturer and seller are not responsible for any and all liability relating to personal injury, property damage or losses, whether direct, indirect, or incidental, resulting from the incorrect attachment, improper use, inadequate maintenance, unapproved modification or neglect of this product.

WARRANTY

Products come with a 1-year warranty from the date of delivery. **Register your product on our website to enjoy our limited lifetime warranty!**

AFTER-SALE SERVICE



Encounter any difficulties or missing parts?



Contact us



We will send you replacement.



Hassle free!
No need to worry about repackaging and sending your item back.